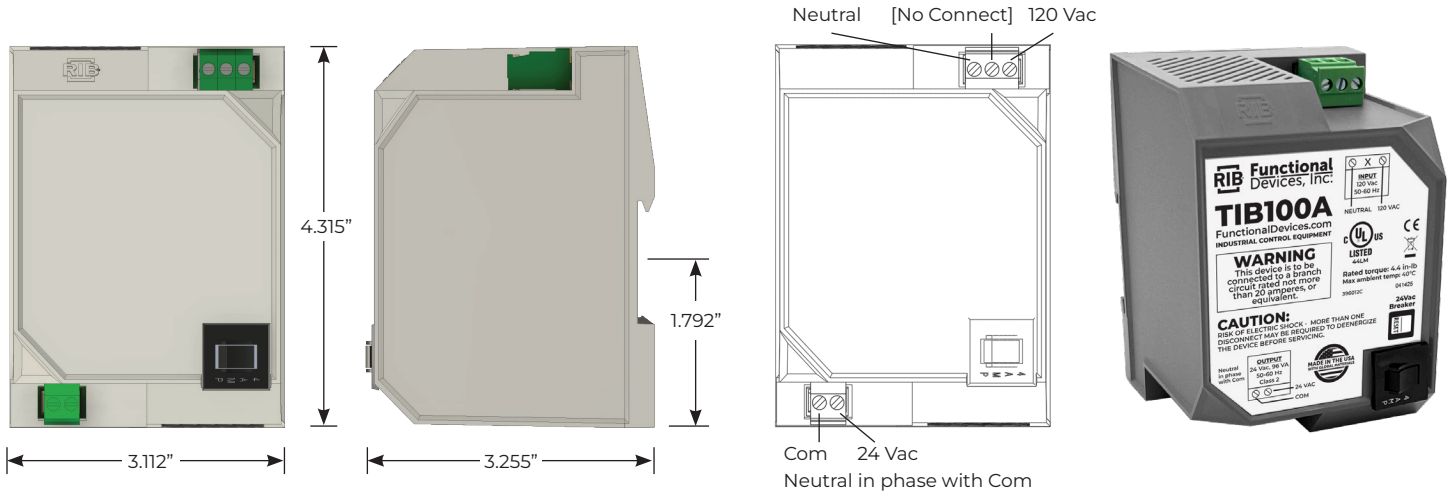


ENCLOSED POWER SUPPLIES

PATENT PENDING

TIB SERIES

Power Supply Housed 96VA, 50VA, or 40VA, 120-24Vac UL Class 2, DIN Rail Mount



SPECIFICATIONS

Mounting	35mm DIN Rail
Dimensions	4.315" x 3.112" x 3.255"
Max Ambient Temperature	40° C
Approvals	Class 2 UL5085-3 Listed, UL508, C-UL, CE, RoHS
Origin	Made of US and non-US parts
Accessories	ADIN35, ADIN35ES

SELECTION GUIDE

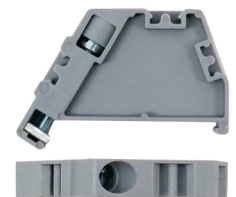
Model #	Transformer	Frequency	Over Current Protection
TIB40A	40 VA	50/60 Hz	Circuit Breaker
TIB50A	50 VA	50/60 Hz	Circuit Breaker
TIB100A	96 VA	50/60 Hz	Circuit Breaker

NOTES

Output derating may exceed 20% due to elevated ambient temperature or heat buildup in device over time.
Models ADIN35 and ADIN35ES sold separately



ADIN35
DIN Rail Perforated
35mm x 7.5mm x 1m



ADIN35ES
Pair of End Stops
for 35mm DIN Rail