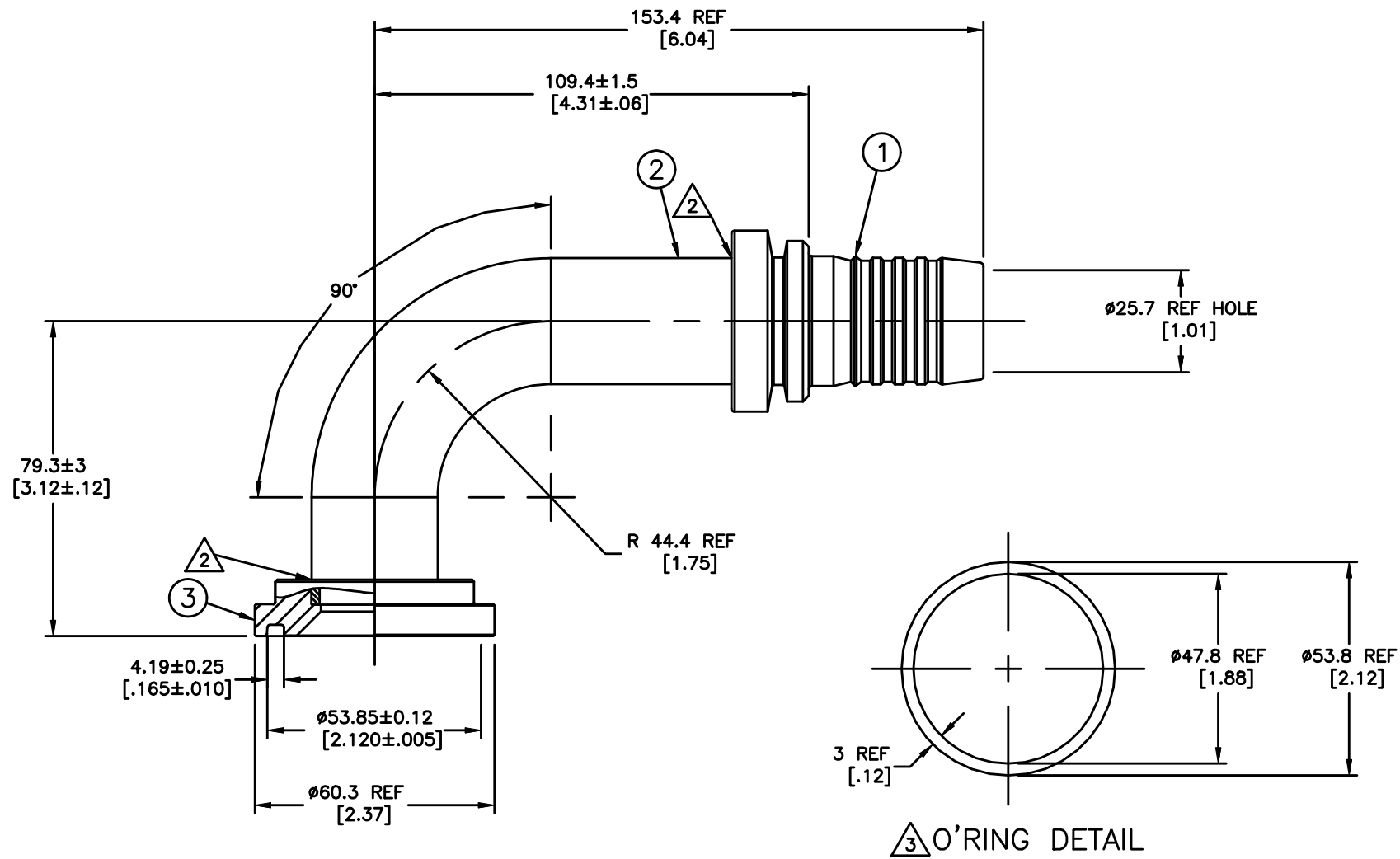


REVISIONS			
REV	DESCRIPTION	DATE	APPROVED
H	REDRAWN - REDESIGNED (1) ADDED INCH DIMENSIONS AND NOTE #4. (2) ADDED ALLITERATE CONSTRUCTION.	2002-05-16	EN-F22889 DP-1299
		W.R.H./BAT	



METRIC

5	1S24FLB20	1F90001-3220AR	19.020-32.14	17.007-32-24		
	1S24FLB20	1F40014-2020AB	1F40034-20-02AB	4624-24-20S		
	AEROQUIP PART NUMBER	① NIPPLE	② ELBOW	③ SHOULDER		

LIST OF MATERIALS		DRAWING INFORMATION	
ITEM NO.	MATERIAL	SCALE	DRAWING NUMBER
1	STEEL	A2	1S24FLB20
2	STEEL	SCALE 1/1	DIST U
3	STEEL	CAGE CODE 01276	SHEET

- 5. ALTERNATIVE CONSTRUCTION. (H2)
- 4. DIMENSIONS ARE IN MILLIMETERS [INCHES]. (H1)
- 3. O-RING SHOWN FOR REFERENCE ONLY: SUPPLIED BUT NOT FURNISHED WITH ASSEMBLY.
- 2. BRAZE PER ACES 2814.
- 1. ZINC PLATE PER 2751.

Danfoss FLUID CONVEYANCE DIVISION

DRAWING TITLE
NIPPLE ASSEMBLY
 90°, SPLIT FLANGE TYPE (CODE 61),
 2781 HOSE

EN-F22889
 DP-1299

W.R.HYDE
 B.THOMAS
 B.THOMAS

RELEASE DATE
 2002-05-21

THIRD ANGLE PROJECTION

THE REPRODUCTION, DISTRIBUTION AND UTILIZATION OF THIS DOCUMENT, AS WELL AS THE COMMUNICATION OF ITS CONTENTS TO OTHERS WITHOUT EXPLICIT AUTHORIZATION IS PROHIBITED. OFFENDERS WILL BE HELD LIABLE FOR THE PAYMENT OF DAMAGES. ALL RIGHTS RESERVED IN THE EVENT OF THE GRANT OF A PATENT, UTILITY MODEL OR DESIGN. (PER ISO 18016)

1S24FLB20
REV: H
SH: H