

TREX ENHANCE® STEEL RAILING

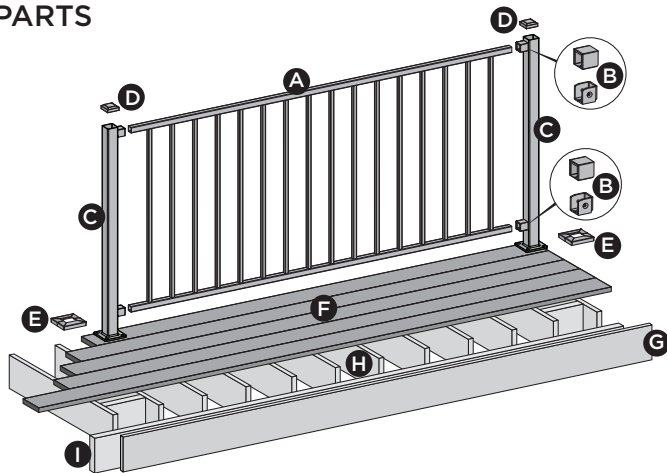
Horizontal Installation Instructions



NOTES:

- » TREX ENHANCE STEEL RAILING PANELS ARE DESIGNED TO BE ATTACHED WITH POSTS INSTALLED AT A CLEAR SPAN OF 6' OR 8'.
- » WHEN INSTALLING COCKTAIL OR TRADITIONAL RAILING CONFIGURATIONS, YOU MUST USE TALLER POSTS. FOR 36" RAILING HEIGHTS USE 42" POST, FOR 42" RAILING HEIGHTS USE 53" POST. FAILURE TO DO THIS WILL NOT ALLOW POST CAPS TO FIT PROPERLY ON POSTS DUE TO INSUFFICIENT CLEARANCE.
- » WHEN CUTTING ENHANCE STEEL RAILING PANELS, USE A METAL CUTTING BLADE.
- » DO NOT CUT ENHANCE STEEL RAILING PANELS ON TOP OF DECK SURFACE. METAL FLAKING CAN BE DIFFICULT TO CLEAN.
- » ALWAYS WEAR APPROPRIATE SAFETY GLASSES WHEN CUTTING METAL.
- » TREX RECOMMENDS COVERING ANY END CUTS EXPOSING RAW STEEL OR SCRATCHES TO THE RAILING. CLEAN THE SURFACE OF THE RAIL AND APPLY AN APPROVED PAINT FOR EXTERIOR STEEL SURFACES SUCH AS RUST-OLEUM® PRODUCTS MATCHING THE LOW GLOSS FINISH OF YOUR ENHANCE STEEL RAILING.

PARTS



- A. Trex Enhance Steel Rail horizontal panel
 - 6' (actual length 71.5" [181.6 cm])
 - 8' (actual length 95.5" [242.6 cm])
- B. Trex Enhance Steel Rail upper and lower brackets and bracket covers
- C. Trex Enhance Steel post*
 - 36" (actual length 37.25" [94.6 cm])
 - 42" (actual length 43.25" [109.8 cm])
 - 53" (135 cm)
- D. Enhance Steel Rail post cap
- E. Enhance Steel Rail post skirt
- F. Trex decking
- G. Trex fascia
- H. Code-approved wood joist 2" x 8" (5.1 cm x 20.3 cm) or larger
- I. Code-approved wood rim joist 2" x 8" (5.1 cm x 20.3 cm) or larger

* If installing cocktail or traditional railing configuration with Enhance Steel Railing:
 -For a 36" railing height - use a 42" post.
 -For a 42" railing height - use a 53" post.

HOW TO INSTALL ENHANCE STEEL RAIL HORIZONTAL PANEL

NOTES:

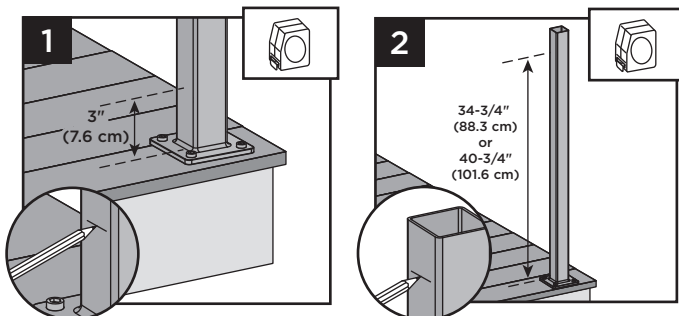
- » DO NOT USE IMPACT DRIVER WHEN INSTALLING ENHANCE STEEL RAILING, ONLY USE STANDARD DRILL FOR SCREW ATTACHMENT OF BRACKET TO POSTS AND RAILS.
- » FIXED UPPER AND LOWER BRACKETS ARE IDENTICAL.
- » PLAN AHEAD FOR POST PLACEMENT IF PANELS REQUIRE CUTTING TO ENSURE THAT PANELS/BALUSTERS ARE CENTERED BETWEEN POSTS AND THERE IS ENOUGH RAIL CLEARANCE FOR ATTACHMENT TO BRACKETS.
- » TREX ENHANCE STEEL POSTS CAN BE PURCHASED SEPARATELY WHICH HAVE BRACKETS PREINSTALLED, THUS SKIPPING STEPS 1-4 BELOW.

SKU NUMBER	DESCRIPTION
BKSTL202043ENPCNR	43" BLACK STEEL ENHANCE CORNER POST
BKSTL202043ENPLINE	43" BLACK STEEL ENHANCE LINE POST
BKSTL202043ENPEND	43" BLACK STEEL ENHANCE END POST

SKU NUMBER	DESCRIPTION
BKSTL202037ENPCNR	37" BLACK STEEL ENHANCE CORNER POST
BKSTL202037ENPLINE	37" BLACK STEEL ENHANCE LINE POST
BKSTL202037ENPEND	37" BLACK STEEL ENHANCE END POST

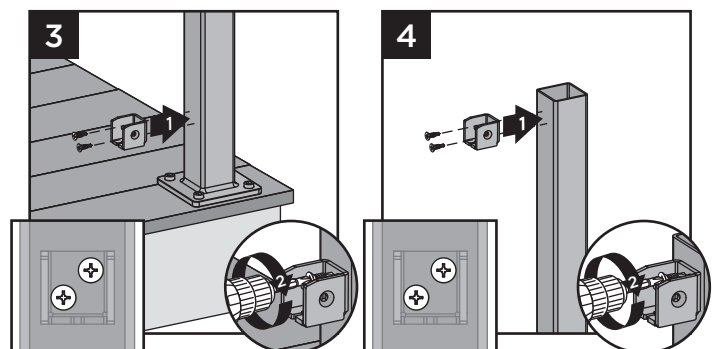
Attach Brackets to Enhance Steel Posts

- » IF ATTACHING TREX ENHANCE STEEL RAILING TO PRESSURE-TREATED POST OR PRESSURE-TREATED POST/POST SLEEVES, ATTACH BRACKETS TO POSTS USING #10 X 2.5" HIGH CARBON STEEL COATED BLACK SCREWS (NOT INCLUDED).



1. Measure 3" (7.6 cm) from top of post base plate. Mark with light line.
2. Measure up from post base plate 34 3/4" (88.3 cm) for 36" (92 cm) rail height or 40 3/4" (101.6 cm) for 42" (107 cm) rail height. Mark with light line.

OPTIONAL: Install bottom bracket, then measure up from top surface of bottom bracket 31 3/4" for 36" rail height or 37 3/4" for 42" rail height. Mark location on post. Install top bracket BELOW this mark.



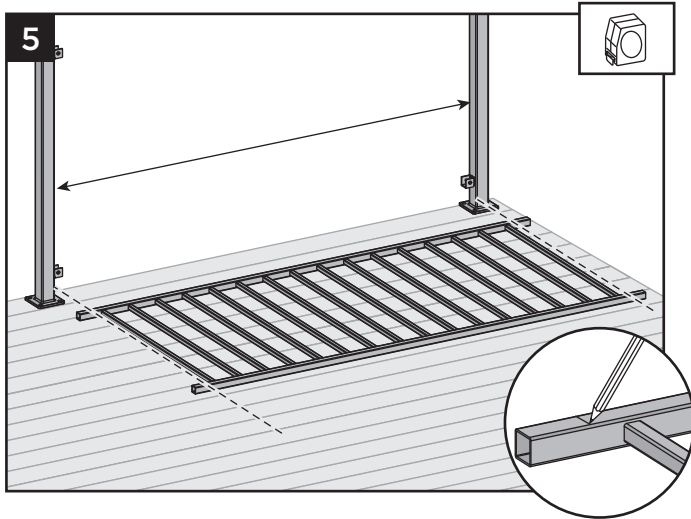
3. Center lower bracket on post above the marked line and attach using two #12 x 3/4" self-drilling screws (provided).
4. Center upper bracket on post above marked line and attach using two #12 x 3/4" self-drilling screws (provided).

TREX ENHANCE® STEEL RAILING

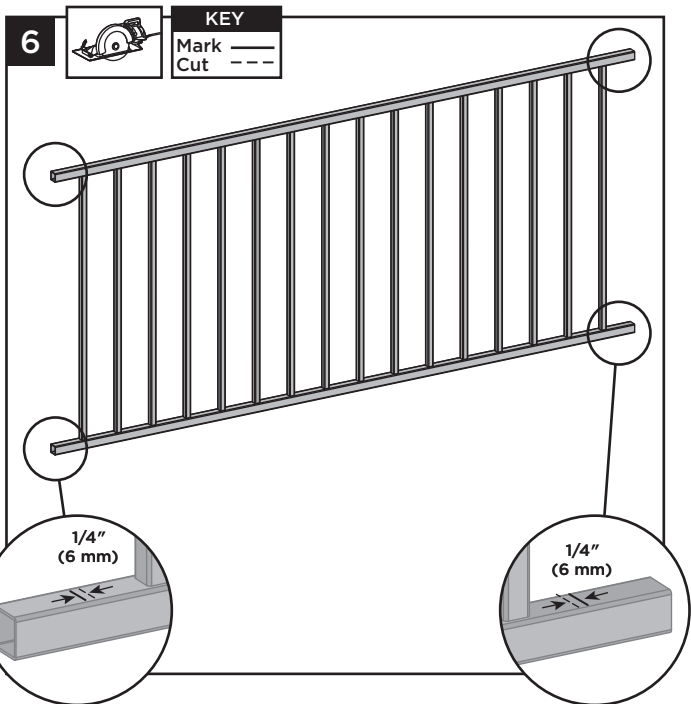
Horizontal Installation Instructions

HOW TO INSTALL ENHANCE STEEL RAIL HORIZONTAL PANEL/CONTINUED

How to Measure and Cut Panel Rails (When REQUIRED)

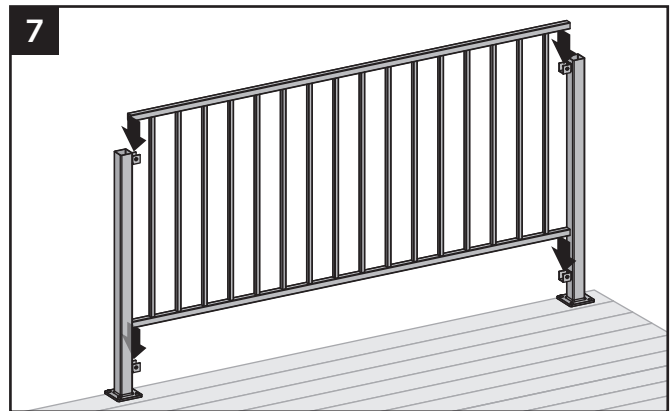


5. Position panel between posts and ensure there is equal distance on each of the end balusters and posts, as well as allow 1-1/2" on each side of rails to allow for attachment to brackets.



6. Using a saw with metal blade, cut ends of both bottom and top rails 1/4" shorter on each side to allow for fit into brackets.

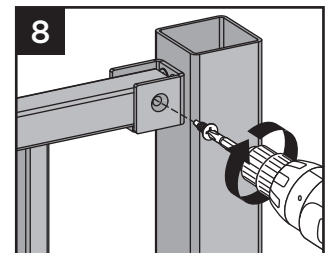
Installing Panel to Brackets



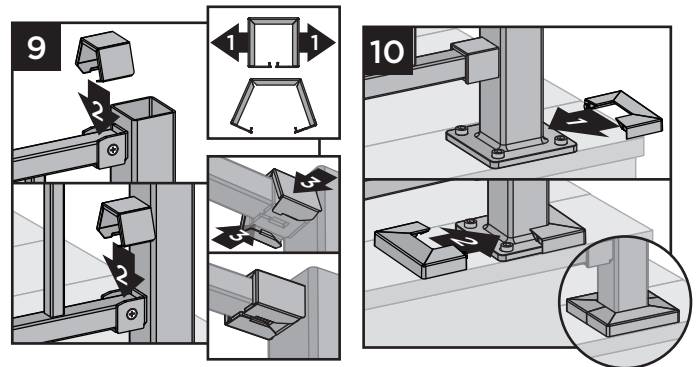
7. Place panel in bottom and top brackets.

8. Attach panel rails to brackets using one #12 x 3/4" self-drilling screw.

Note: Brackets are designed to allow screw on either side, customer may choose based on preference.



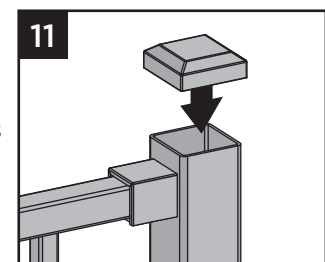
Attachment of Bracket Covers, Skirts, and Caps



9. Gently spread and then snap corresponding bracket covers over opening in upper and bottom rails.

10. Attach provided post skirt to bottom of post.

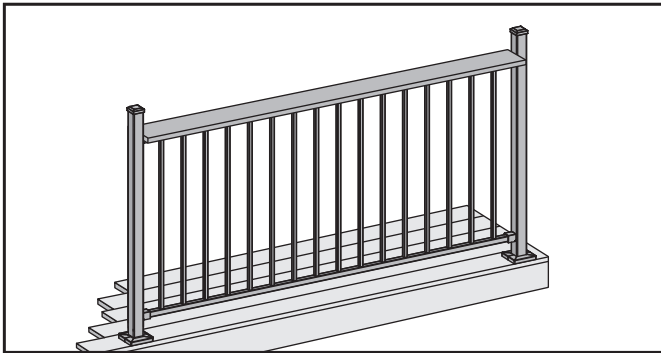
11. Attach post caps to posts (use of rubber mallet may be required for secure attachment).



HOW TO INSTALL ENHANCE STEEL RAIL HORIZONTAL PANEL

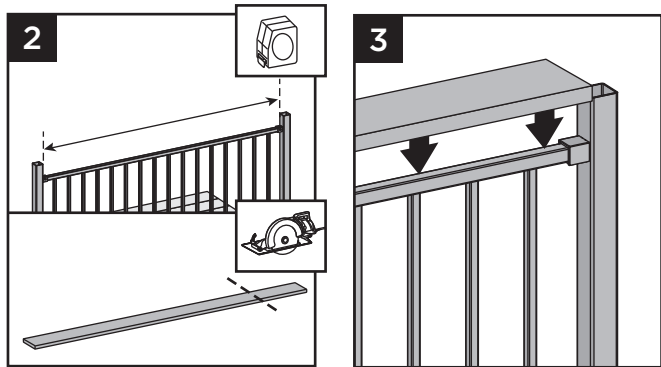
- » Trex Cocktail Rail brackets (sold separately) are for use with either Traditional or Cocktail designs. For a 6' section, use 4 brackets and screws provided, for 8' section, use 5 brackets and screws provided.
- » When installing Cocktail or Traditional railing configurations, you **MUST** use taller posts. For 36" railing heights use 42" post, for 42" railing heights use 53" post. Failure to do this will not allow post caps to fit properly on posts due to insufficient clearance.
- » Posts can be cut to desired heights once Cocktail or Traditional rail heights are established. Ensure to allow enough space for post cap to fit properly.

Cocktail Rail Panel Configuration



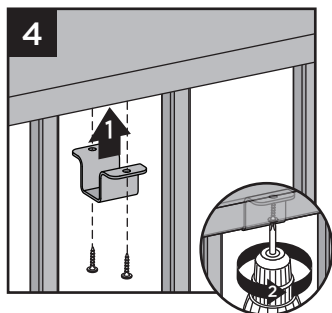
1. Attach panel to brackets as per previous instructions.

Attaching Deck Board to Top Rail



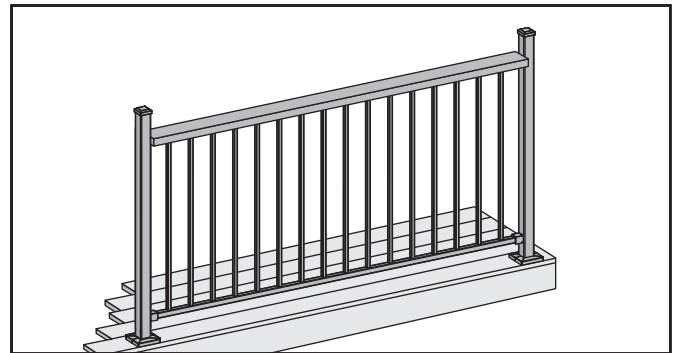
2. Measure between posts and cut deck board to length.
3. Place deck board onto top rail.

4. Secure boards to top rail using Cocktail Bracket (sold separately). Ensure that there is a bracket at each end of the railing section, then space brackets approximately every 24" and attach with 2 screws provided.



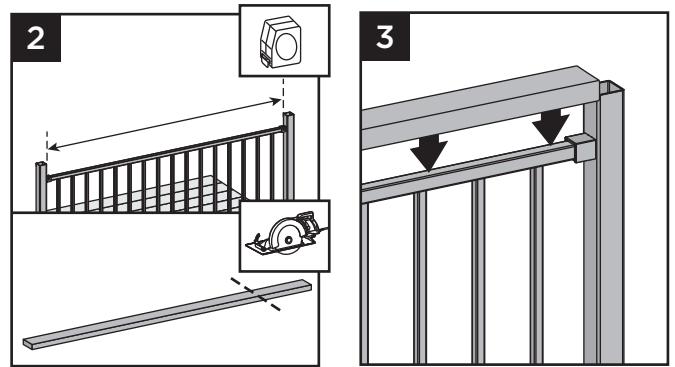
NOTE: Predrilling before attachment is recommended.

Traditional Rail Panel Configuration



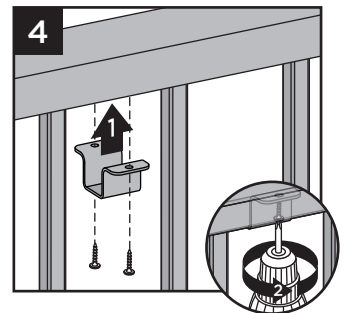
1. Attach panel to brackets as per previous instructions.

Attaching 2 x 4 to Top Rail



2. Measure between posts and cut 2 x 4 to length.
3. Place 2 x 4 on Signature top rail.

4. Secure 2 x 4 to top rail using Cocktail Bracket (sold separately). Ensure that there is a bracket at each end of the railing section, then space brackets approximately every 24" and attach with 2 screws provided.



NOTE: Predrilling before attachment is recommended.

TREX ENHANCE® STEEL RAILING

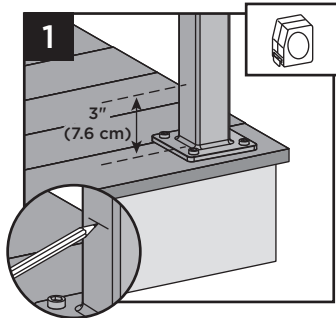
Horizontal Installation Instructions

HOW TO INSTALL HORIZONTAL SWIVEL BRACKETS

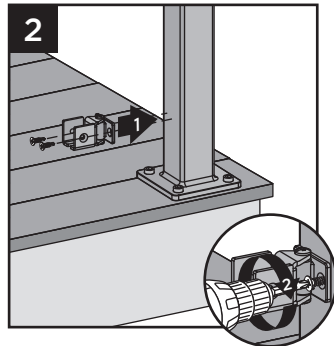
- » HORIZONTAL SWIVEL BRACKETS CAN BE USED UP TO A 45° ANGLE FOR TREX ENHANCE STEEL PANEL RAILINGS.
- » WHEN USING HORIZONTAL SWIVEL BRACKETS VERY IMPORTANT TO LAY OUT LOCATION AND ORIENTATION OF POSTS AND SWIVEL BRACKETS BEFORE INSTALLING SWIVEL BRACKETS.

Attach Lower Swivel Brackets to Enhance Steel Posts

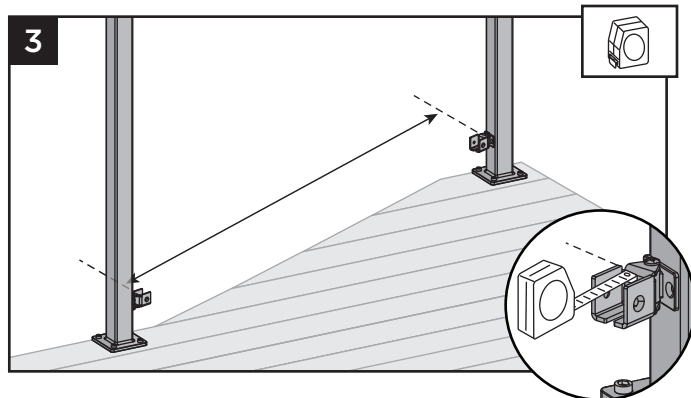
1. Measure 3 3/16" (8.1 cm) from top of post base plate. Mark with light line.



2. Center lower bracket on post **above** the marked line and attach using two #12 x 3/4 self-drilling screws (provided).

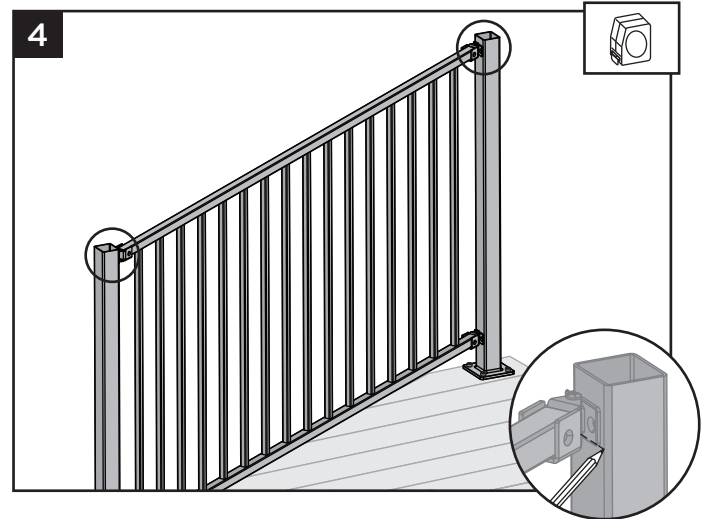


How to Measure and Cut Bottom and Top Railings (When Required)



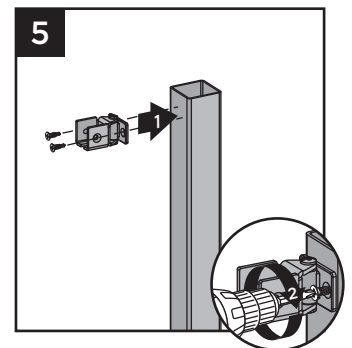
3. With lower brackets in correct swivel location, measure distance from inside of bracket to inside of bracket. Also allow for 1-1/2" clearance on each side for panel rails to attach to brackets. Cut panel as per previous instructions.

Installing Upper Swivel Brackets to Enhance Steel Posts



4. Place panel into lower swivel brackets. Place upper swivel brackets temporarily onto top rail and mark post at underside of bracket location. If necessary use a clamp to hold brackets on top rail.

5. Center upper bracket on post above marked line and attach using two #12 x 3/4" self-drilling screws (provided).



Installing Panel to Brackets

6. Attach panels to brackets as per previous instructions.
7. Attach bracket covers, caps, and skirts as per previous instructions.

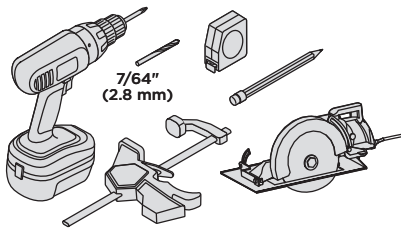
RUST-OLEUM® is a trademark of Rust-Oleum Corporation.

TREX ENHANCE® STEEL RAILING PANEL

Stair Installation Instructions



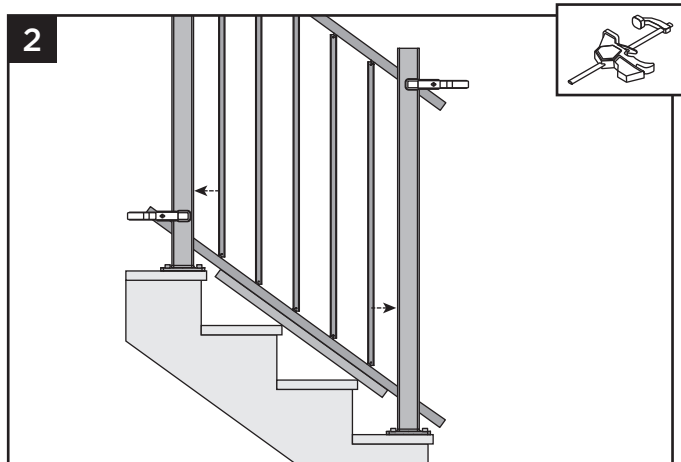
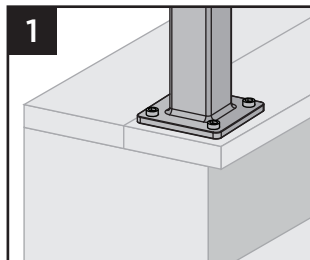
TOOLS NEEDED



NOTES:

- » FOR A 6' OR 8' STAIR RAIL, POST TO POST SPAN WILL BE LESS THAN 6' OR 8'. PRIOR TO INSTALLING STAIR POSTS CALCULATE POST TO POST SPAN USING A MAXIMUM STAIR RAIL LENGTH REQUIRED AND THE ANGLE AT WHICH THE STAIR RAILS WILL BE INSTALLED. DO NOT INSTALL STAIR POSTS AT 6' OR 8' SPAN, AS STAIR RAILINGS WILL THEN BE TOO SHORT.
- » FOR STAIR INSTALLATIONS USE A 53" STAIR POST. POST CAN BE CUT TO DESIRED HEIGHT ONCE RAILING HEIGHT IS ESTABLISHED. ENSURE ADEQUATE SPACE FOR POST CAP TO FIT PROPERLY.
- » WHEN CUTTING ENHANCE STEEL RAILING PANELS, USE A METAL CUTTING BLADE.
- » DO NOT CUT ENHANCE STEEL RAILING PANELS ON TOP OF DECK SURFACE. METAL FLAKING CAN BE DIFFICULT TO CLEAN.
- » ALWAYS WEAR APPROPRIATE SAFETY GLASSES WHEN CUTTING METAL.
- » TREX RECOMMENDS COVERING ANY END CUTS EXPOSING RAW STEEL OR SCRATCHES TO THE RAILING. CLEAN THE SURFACE OF THE RAIL AND APPLY AN APPROVED PAINT FOR EXTERIOR STEEL SURFACES SUCH AS RUST-OLEUM® PRODUCTS MATCHING THE LOW GLOSS FINISH OF YOUR ENHANCE STEEL RAILING.

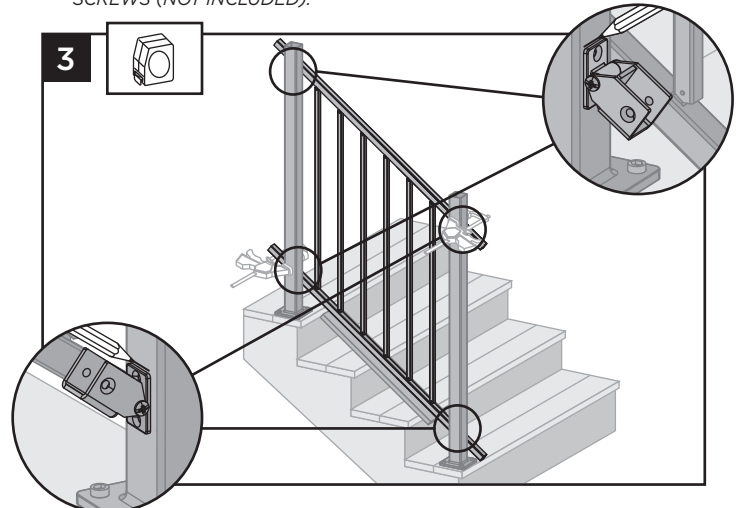
1. Install post at nose of stair tread directly above required blocking. ALWAYS refer to your local building code official prior to installing any railing system to ensure all code and safety requirements are met. Trex cannot be held responsible for improper or non-recommended installations.



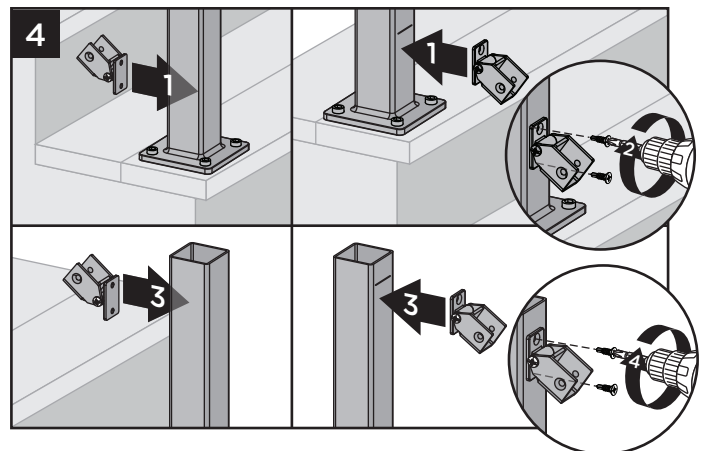
2. Use a 1" deck board as a spacer board and lay this on the stair treads between the posts. Place stair panel on top of the deck board and clamp stair panel to posts. Ensure that balusters are straight and positioned with equal spacing at post locations.

Attaching Upper and Lower Stair Swivel Brackets

- » IF ATTACHING TREX ENHANCE STEEL RAILING TO PRESSURE-TREATED POST OR PRESSURE-TREATED POST/POST SLEEVES, ATTACH BRACKETS TO POSTS USING #10 X 2.5" HIGH CARBON STEEL COATED BLACK SCREWS (NOT INCLUDED).



3. Line up bracket with top and bottom railing. Place a light line on post above swivel base.



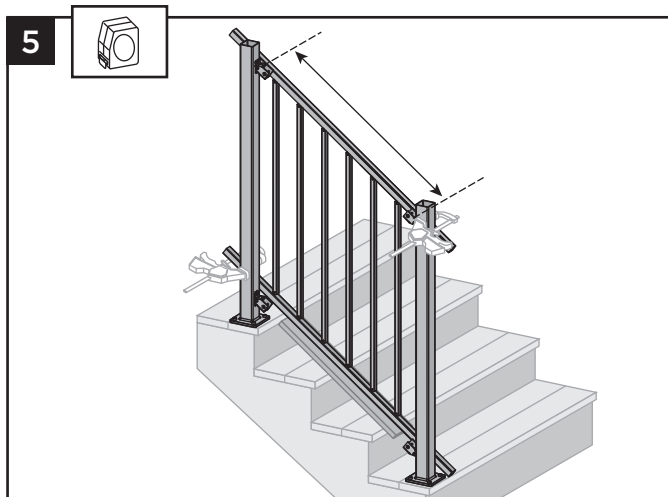
4. Center stair brackets on posts below the marked line and attach using two #12 x 3/4" self-drilling screws (provided). In some cases it may be difficult to attach the stair bracket on the lower stair post. A 90° drill or adaptor is recommended to attach screws in this area.

TREX ENHANCE® STEEL RAILING PANEL

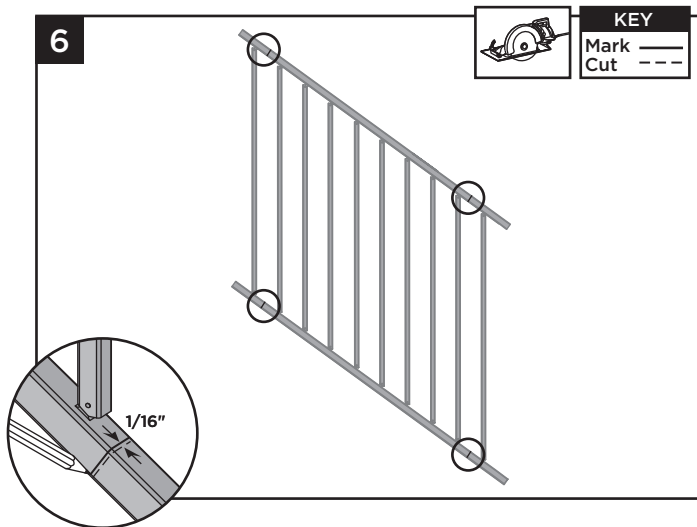
Stair Installation Instructions

HOW TO INSTALL ENHANCE STEEL RAIL HORIZONTAL PANEL/CONTINUED

Marking and Cutting Stair Panel Rails (when required)

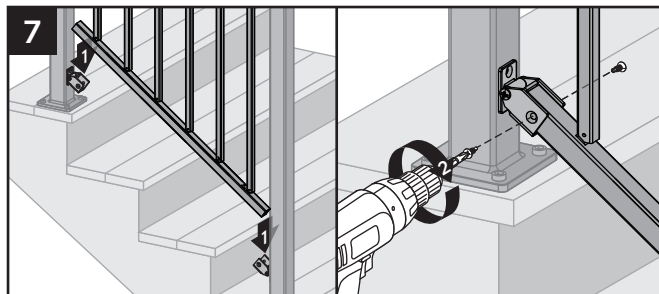


5. Mark top and bottom rails where they align with the rear wall of the top and bottom brackets.



6. Remove panel and place on flat surface (note stair panel can be "unracked" if necessary for ease of cutting). Extend marks to side of rails. Brackets are designed to allow for railing to be installed with a standard perpendicular cut. Cut end of rails 1/16" shorter than mark on each side to allow for fit into brackets.

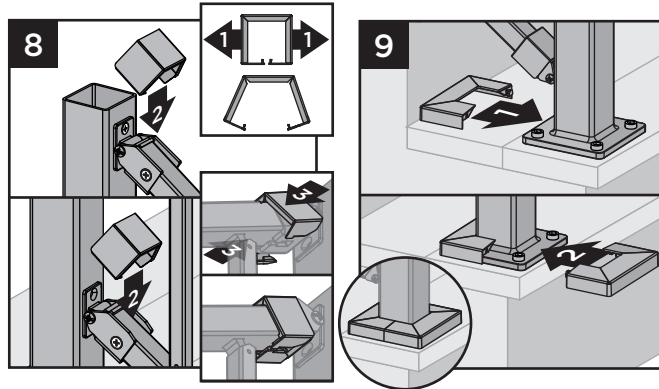
Attaching Stair Panel to Stair Swivel Brackets



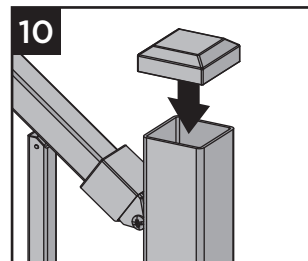
7. Attach stair panel to swivel brackets using one #12 x 3/4" self-drilling screw (*provided*) on one side of stair bracket.

Note: Brackets are designed to allow screw on either side, customer may choose based on preference.

Attachment of Bracket Covers, Skirts, and Caps



8. Gently spread and then snap corresponding bracket covers over opening in upper and bottom rails.
9. Attach provided post skirt to bottom of post.
10. Attach post caps to posts (use of rubber mallet may be required for secure attachment).



RUST-OLEUM® is a trademark of Rust-Oleum Corporation.