

TREX SELECT™ ALUMINUM POSTS

Installation Instructions for Pressure-treated Wood Framing

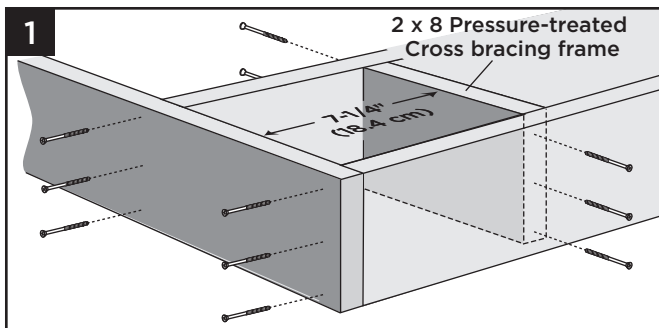
IMPORTANT NOTES:

- » EACH POST MUST BE ATTACHED AS SHOWN TO ENSURE A CODE COMPLIANT AND SAFE INSTALLATION.
- » ALWAYS refer to your local building code official prior to installing any railing system to ensure all code and safety requirements are met. Trex cannot be held responsible for improper or non-recommended installations.
- » When installing Trex Select Aluminum posts on ACQ surfaces, use an appropriate isolation barrier between post and surface (contact local building code official if needed).
- » All Trex Select Aluminum stair installations require the use of a 53" (134.6 cm) stair post, measured and cut to appropriate length if necessary.

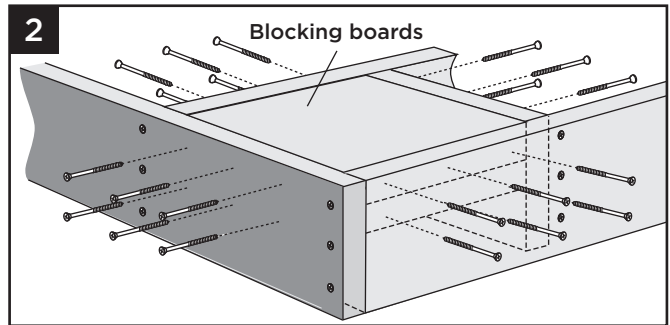
TOOLS AND MATERIALS NEEDED

- » Drill and/or screw gun
- » 1/2" (1.3 cm) drill bit for wood
- » Blocking – 2 x 8 pressure-treated Southern Yellow Pine or equivalent
- » Qty: 36 (per post) – 3" pressure-treated compatible wood screws

Installing Select Aluminum Posts on Pressure-treated Wood Framing (Corner Post Installation)



1. Install 2 x 8 cross bracing frame in between joists at 7-1/4" (18.4 cm). Attach a total of twelve 3" (7.6 cm) pressure-treated compatible screws (*not provided*).

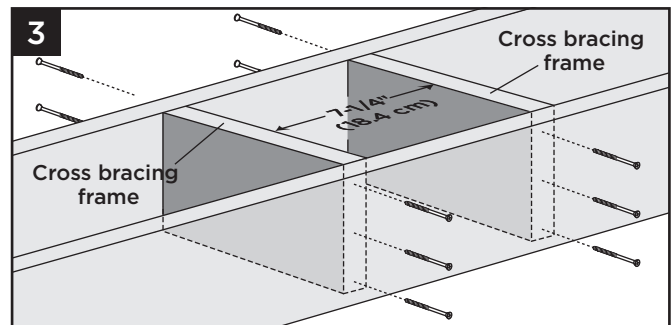


2. Install two 2 x 8 boards as blocking under post location. Securely attach blocking using a total of twenty-four 3" (7.6 cm) pressure-treated compatible screws (*not provided*).

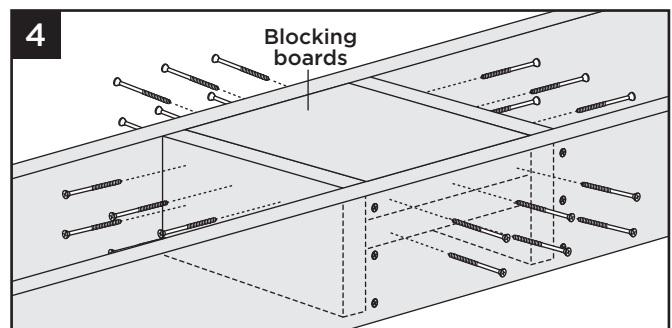
NOTE: TO ENSURE THE BLOCKING IS FULLY SECURE, USE THE AMOUNT OF SCREWS indicated ABOVE.

TIP: Use two additional screws to "sandwich" blocking boards together for easier attachment to framing.

Line Post Installation



3. Install two 2 x 8 cross bracing frames in between joists at 7-1/4" (18.4 cm). Attach a total of twelve 3" (7.6 cm) pressure-treated compatible screws (*not provided*).



4. Install two 2 x 8 boards as blocking under post location. Securely attach blocking using a total of twenty-four 3" (7.6 cm) pressure-treated compatible screws (*not provided*).

1

Have Questions?
1-800-BUY-TREX

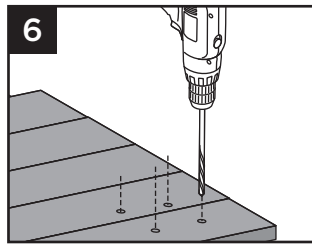
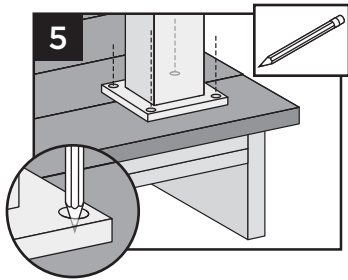
NOTE: Construction methods are always improving. Please ensure you have the most up-to-date installation instructions by visiting: trex.com

SE-AL-POS-0825

TREX SELECT™ ALUMINUM POSTS

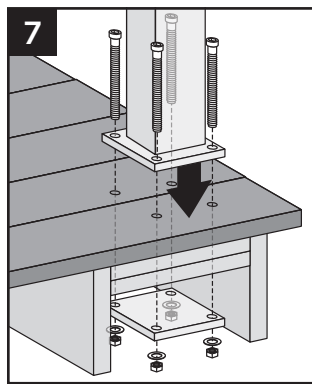
Installation Instructions for Pressure-treated Wood Framing

» *Metal backplate is only required for 2.5" (6.4 cm) post in IRC installations. (Consult local code official for more information.)*



5. Using post as a template, mark locations of holes.
6. Drill through decking and blocking boards using 5/8" diameter bit (long drill bit will be required).

7. Attach posts using four 3/8" x 6" (1.0 cm x 15.2 cm) hex cap bolts, washers, and nuts, along with aluminum back plate on underside of blocking. If the project requires IRC compliance, this back plate **MUST** be installed under the decking to ensure this will meet code compliance. Reference SKU part number ALPOSTHWDECK for required hardware and aluminum plate. (Consult local code official for more information on IRC Compliance.)



Note: *If attaching post directly to pressure-treated wood, use a thin stainless steel or plastic barrier strip under the baseplate.*

TREX SELECT™ ALUMINUM RAILING

Horizontal Installation Instructions

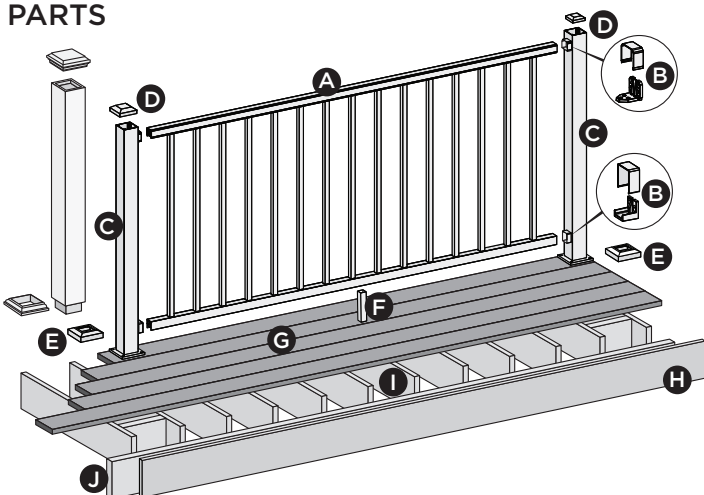


NOTES:

- » TREX SELECT ALUMINUM RAILING PANELS ARE DESIGNED TO BE ATTACHED WITH POSTS INSTALLED AT A CLEAR SPAN OF 6' OR 8'.
- » WHEN INSTALLING COCKTAIL OR TRADITIONAL RAILING CONFIGURATIONS WITH SELECT ALUMINUM POSTS, YOU MUST USE TALLER POSTS. FOR 36" RAILING HEIGHTS USE 42" POST, FOR 42" RAILING HEIGHTS USE 53" POST. FAILURE TO DO THIS WILL NOT ALLOW POST CAPS TO FIT PROPERLY ON POSTS DUE TO INSUFFICIENT CLEARANCE.
- » DO NOT CUT SELECT ALUMINUM RAILING PANELS ON TOP OF DECK SURFACE. METAL FLAKING CAN BE DIFFICULT TO CLEAN.
- » ALWAYS WEAR APPROPRIATE SAFETY GLASSES WHEN CUTTING METAL.
- » IF USING A ONE-PIECE SKIRT ENSURE TO ATTACH THIS BEFORE ATTACHING RAILING.
- » IF USING THE SELECT ALUMINUM POST SLEEVE, COVER 4X4 PRESSURE-TREATED POST WITH PLASTIC, HOUSE WRAP, OR SIMILAR PRODUCT BEFORE INSTALLING ALUMINUM POST SLEEVE.
- » **DO NOT USE IMPACT DRIVER WHEN INSTALLING SELECT ALUMINUM RAILING, ONLY USE STANDARD DRILL FOR SCREW ATTACHMENT OF BRACKET TO POSTS AND RAILS.**
- » PLAN AHEAD FOR POST PLACEMENT IF PANELS REQUIRE CUTTING TO ENSURE THAT PANELS/BALUSTERS ARE CENTERED BETWEEN POSTS AND THERE IS ENOUGH RAIL CLEARANCE FOR ATTACHMENT TO BRACKETS.
- » IF ATTACHING TREX SELECT ALUMINUM RAILING TO PRESSURE-TREATED POST OR PRESSURE-TREATED POST/POST SLEEVES, ATTACH BRACKETS TO POSTS USING #10 X 1 3/4" STAINLESS STEEL SCREW (INCLUDED).
- » IF INSTALLING COCKTAIL RAIL PANEL WITH PRESSURE-TREATED POST AND POST SLEEVE CONFIGURATION, SEE PAGE 4 FOR INSTRUCTIONS ON CUTTING POSTS TO REQUIRED HEIGHTS BEFORE INSTALLING BRACKETS.
- » TREX SELECT ALUMINUM POSTS CAN BE PURCHASED SEPARATELY WHICH HAVE BRACKETS PREINSTALLED, THUS SKIPPING STEPS 1-4 BELOW.

SKU NUMBER	DESCRIPTION	SKU NUMBER	DESCRIPTION
BKAL252537SELPEND	2.5" X 2.5" X 37" BKAL SEL END PST	BBAL252537SELPEND	2.5" X 2.5" X 37" BN AL SEL END PST
BKAL252537SELPLINE	2.5" X 2.5" X 37" BK AL SEL LINE PST	BBAL252537SELPLINE	2.5" X 2.5" X 37" BN AL SEL LINE PST
BKAL252537SELPCNR	2.5" X 2.5" X 37" BK AL SEL CORNER PST	BBAL252537SELPCNR	2.5" X 2.5" X 37" BN AL SEL CORNER PST
BKAL252543SELPEND	2.5" X 2.5" X 43" BK AL SEL END PST	BBAL252543SELPEND	2.5" X 2.5" X 43" BN AL SEL END PST
BKAL252543SELPLINE	2.5" X 2.5" X 43" BK AL SEL LINE PST	BBAL252543SELPLINE	2.5" X 2.5" X 43" BN AL SEL LINE PST
BKAL252543SELPCNR	2.5" X 2.5" X 43" BK AL SEL CORNER PST	BBAL252543SELPCNR	2.5" X 2.5" X 43" BN AL SEL CORNER PST

PARTS



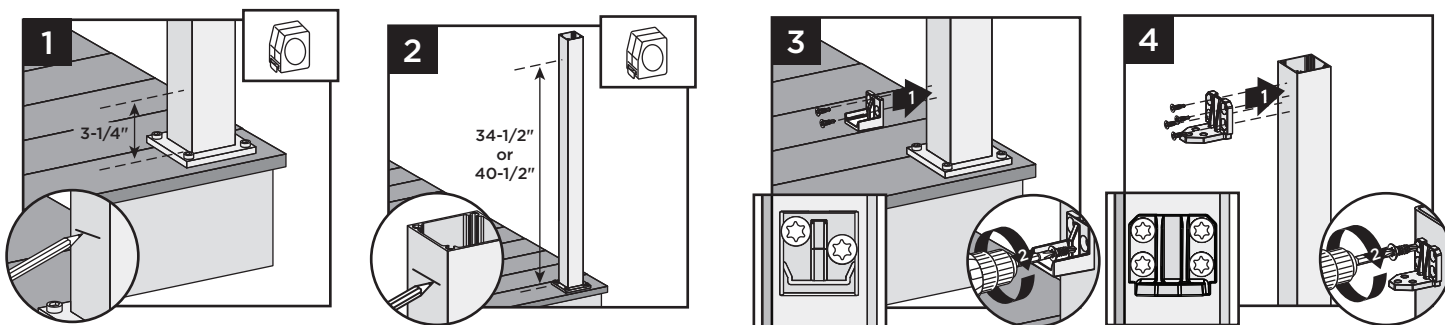
- A. Trex Select Aluminum Rail horizontal panel
 - 6' (actual length 71.7")
 - 8' (actual length 95.3")
- B. Trex Select Aluminum Rail upper and lower brackets and bracket covers
- C. Trex Select Aluminum post*
 - 36" (actual length 37.5")
 - 42" (actual length 43.5")
 - 53"
 or Trex Post Sleeve#
 - Select 4x4 composite post sleeve
 - Select 4x4 aluminum post sleeve
 - Transcend 4x4 post sleeve
 - Transcend 6x6 post sleeve
- D. Select Aluminum Rail post cap
- E. Select Aluminum Rail post skirt
- F. Footblock
- G. Trex decking
- H. Trex fascia
- I. Code-approved wood joist 2 x 8 or larger
- J. Code-approved wood rim joist 2 x 8 or larger

* If installing cocktail or traditional railing configuration with Select Aluminum Railing:
 -For a 36" railing height - use a 42" post.
 -For a 42" railing height - use a 53" post.

Composite and aluminum post sleeves are designed to fit over 4x4 pressure-treated post. Ensure to use correct post cap and skirt with corresponding post sleeve.

HOW TO INSTALL SELECT ALUMINUM RAIL HORIZONTAL PANEL

Attaching Brackets if Using Select Aluminum Posts



1. Measure from top of post base plate 3-1/4". Mark with light line.
2. Measure up from post base plate 34-1/2" or 40-1/2". Mark with light line.
3. Center lower bracket on post above the marked line and attach using two #10 x 3/4" self-drilling screws (provided).
4. Center upper bracket on post above marked line and attach using four #10 x 3/4" self-drilling screws (provided).

TREX SELECT™ ALUMINUM RAILING

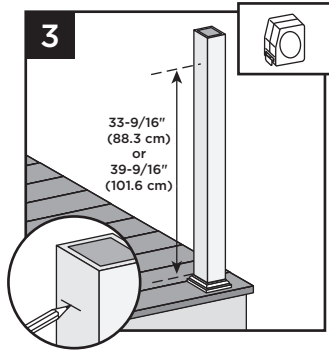
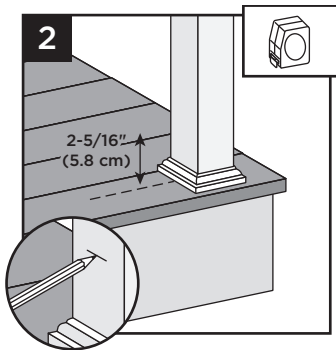
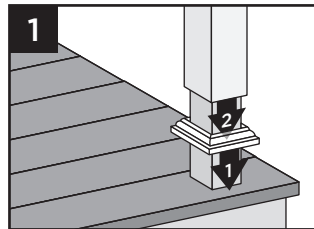
Horizontal Installation Instructions

HOW TO INSTALL SELECT ALUMINUM RAIL HORIZONTAL PANEL/CONTINUED

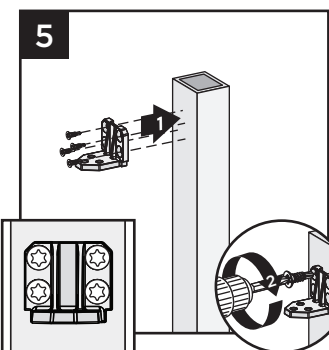
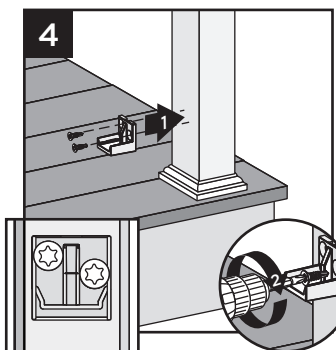
Attaching Brackets if Using Pressure-Treated Posts with Select Composite Post Sleeves

Install 1-Piece Skirt and Post Sleeve

1. Slide 1-piece skirt down to rest on decking surface. Slide post sleeve over post and position inside post sleeve skirt.



2. Measure up from top of skirt 2 5/16". Mark with light line.
3. Measure up from top of skirt 33 9/16" for 36" rail height or 39 9/16" for 42" rail height. Mark with light line.

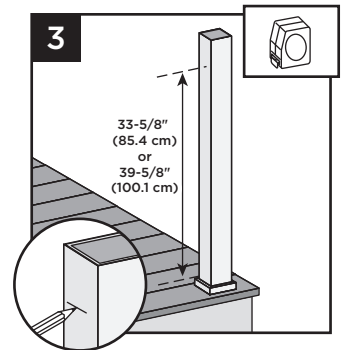
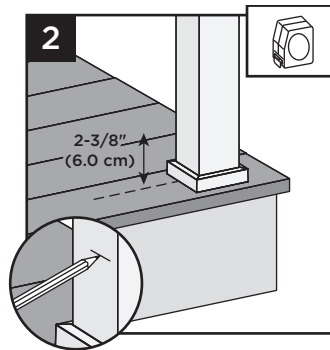
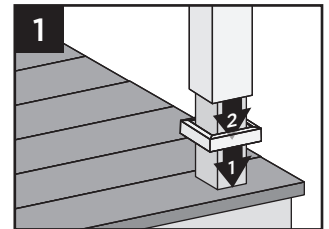


4. Center lower bracket on post above the marked line and attach using two #10 X 1 3/4" stainless steel screws (included).
5. Center upper bracket on post above marked line and attach using four #10 X 1 3/4" stainless steel screws (included).

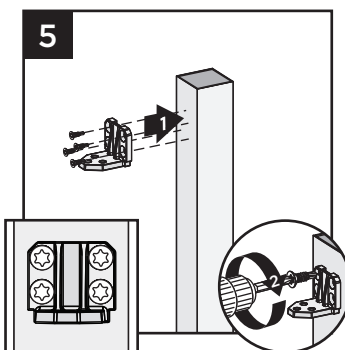
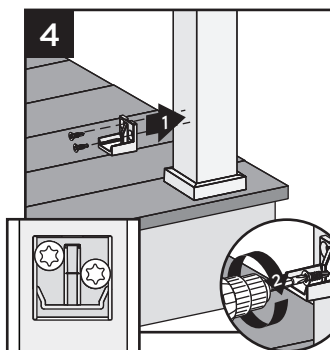
Attaching Brackets if Using Pressure-Treated Posts with Select Aluminum Post Sleeves

Install 1-Piece Skirt and Post Sleeve

1. Slide 1-piece skirt down to rest on decking surface. Slide post sleeve over post and position inside post sleeve skirt.



2. Measure up from top of skirt 2 3/8". Mark with light line.
3. Measure up from top of skirt 33 5/8" for 36" rail height or 39 5/8" for 42" rail height. Mark with light line.

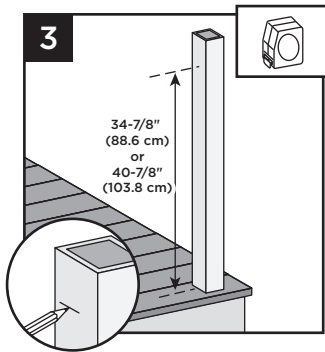
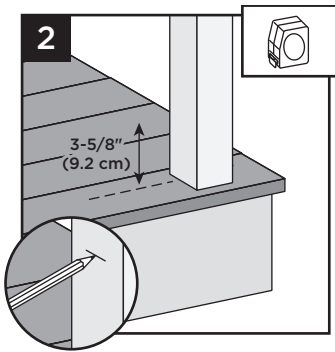
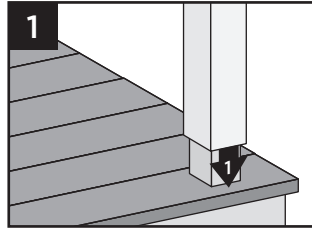


4. Center lower bracket on post above the marked line and attach using two #10 X 1 3/4" stainless steel screws (included).
5. Center upper bracket on post above marked line and attach using four #10 X 1 3/4" stainless steel screws (included).

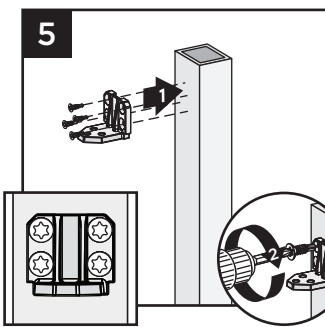
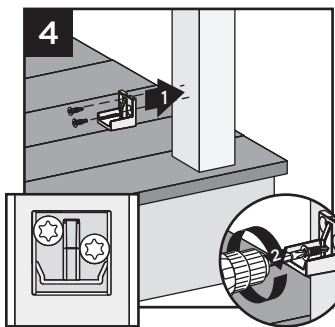
HOW TO INSTALL SELECT ALUMINUM RAIL HORIZONTAL PANEL/CONTINUED

Attaching Brackets if using Pressure-Treated Posts with Transcend 4x4 Post Sleeves

1. Install post sleeve over pressure-treated post.

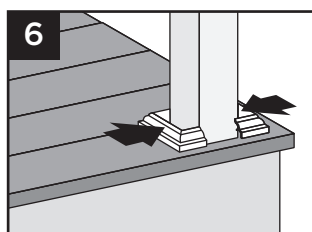


2. Measure up from top of decking surface 3 5/8". Mark with light line.
3. Measure up from top of decking surface 34 7/8" for 36" rail height or 40 7/8" for 42" rail height. Mark with light line.



4. Center lower bracket on post above the marked line and attach using two #10 X 1 3/4" stainless steel screws (included).
5. Center upper bracket on post above marked line and attach using four #10 X 1 3/4" stainless steel screws (included).

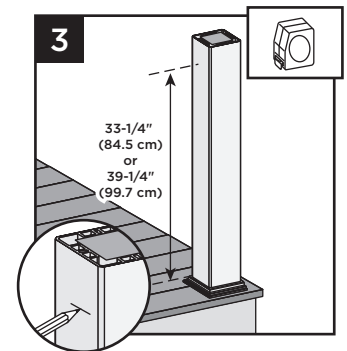
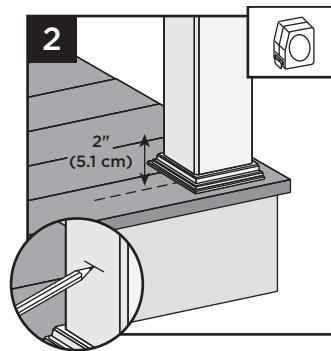
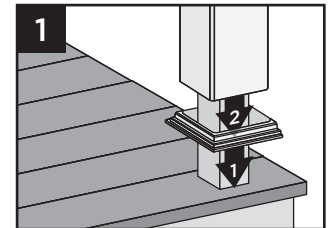
6. Snap two piece skirt over post sleeve.



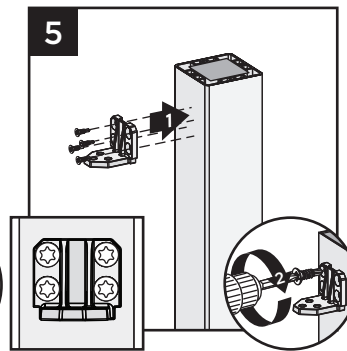
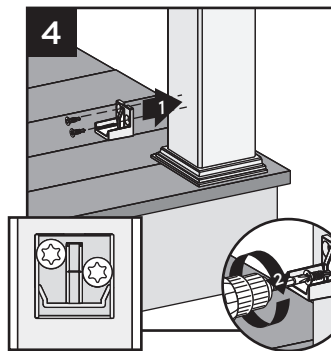
Attaching Brackets if using Pressure-Treated Posts with Transcend 6x6 Post Sleeves

Install 1-Piece Skirt and Post Sleeve

1. Slide 1-piece skirt down to rest on decking surface. Slide post sleeve over post and position inside post sleeve skirt.



2. Measure up from top of skirt 2". Mark with light line.
3. Measure up from top of skirt 33 1/4" for 36" rail height or 39 1/4" for 42" rail height. Mark with light line.



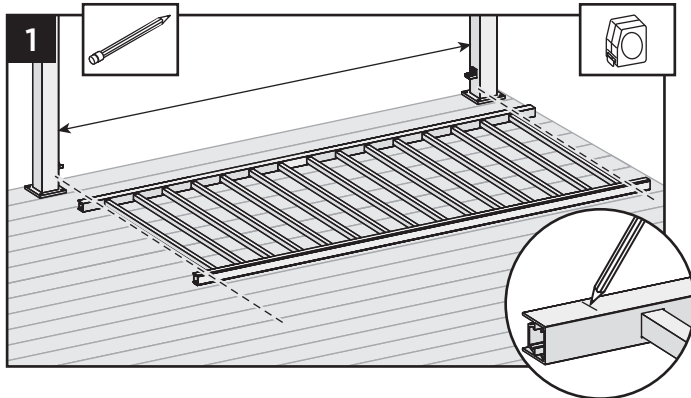
4. Center lower bracket on post above the marked line and attach using two #10 X 1 3/4" stainless steel screws (included).
5. Center upper bracket on post above marked line and attach using four #10 X 1 3/4" stainless steel screws (included).

TREX SELECT™ ALUMINUM RAILING

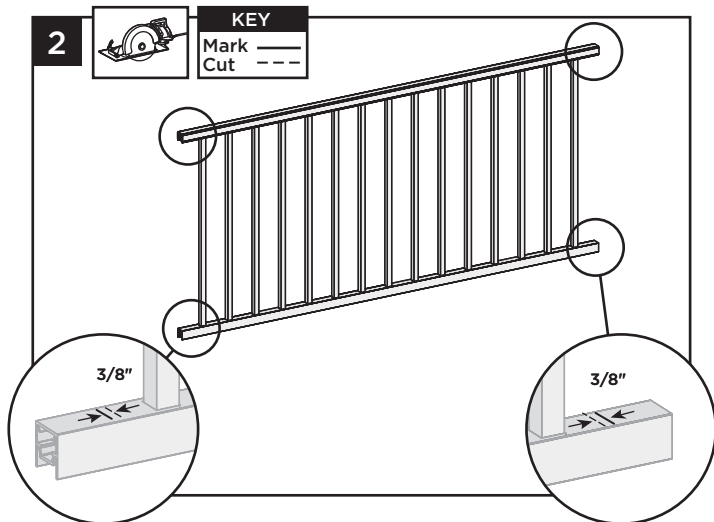
Horizontal Installation Instructions

HOW TO INSTALL SELECT ALUMINUM RAIL HORIZONTAL PANEL/CONTINUED

How to Measure and Cut Panel Rails (When REQUIRED)

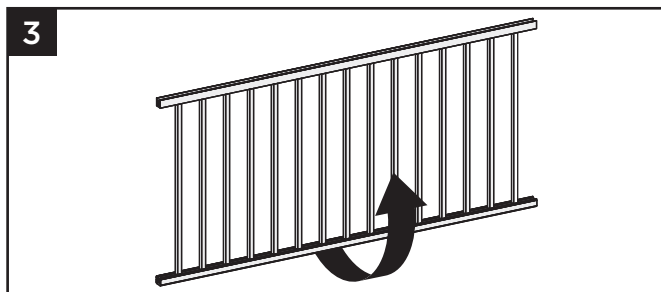


1. Position panel between posts and ensure there is equal distance on each of the end balusters and posts. Allow 1-1/2" on each side of rails to allow for attachment to brackets.



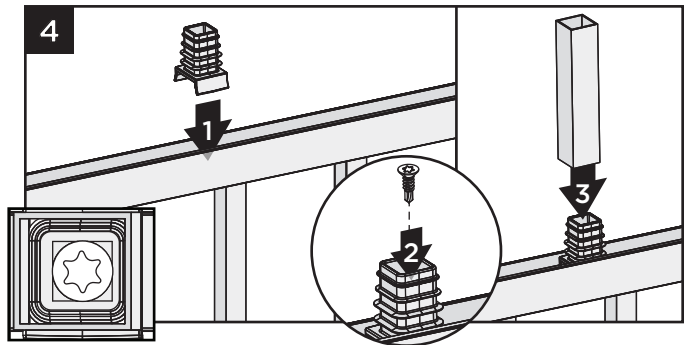
2. Cut ends of both bottom and top rails 3/8" shorter on each side to allow for fit into brackets.

Installing Foot Block



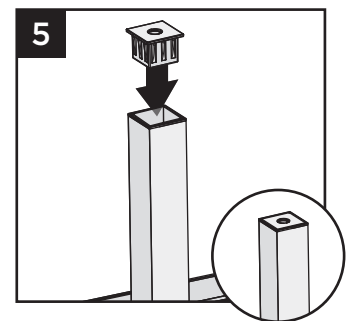
3. Turn panel upside down.

4

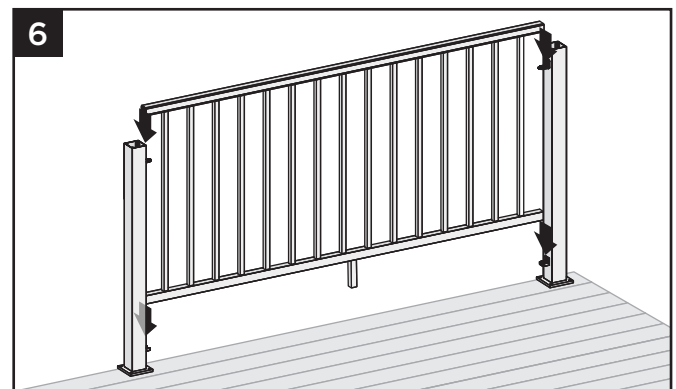


4. Center foot block insert on underside of bottom rail, and install using one #10 x 3/4" screw. Push foot block shaft onto foot block insert.

5. Gently tap foot block cap into foot block shaft.



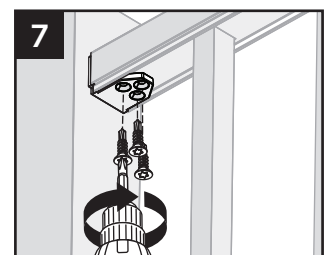
Installing Panel to Brackets



6. Place panel in bottom and top brackets.

NOTE: THERE WILL BE A SMALL GAP BETWEEN THE BRACKETS AND THE RAILS.

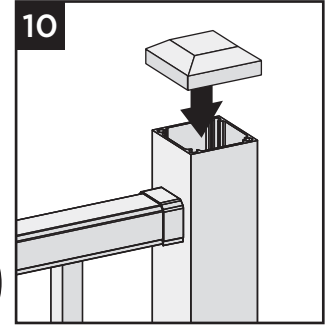
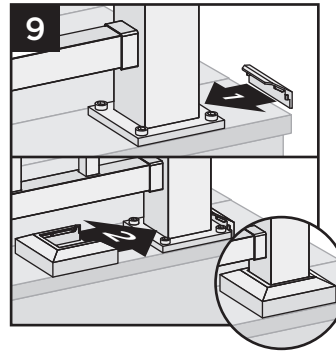
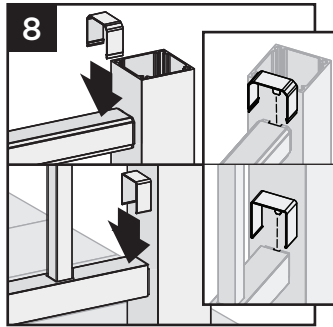
7. Attach top panel rails to top brackets using three #10 x 3/4" self-drilling screws.



HOW TO INSTALL SELECT ALUMINUM RAIL HORIZONTAL PANEL/CONTINUED

Attachment of Bracket Covers, Skirts, and Caps

8. Gently spread and then snap the corresponding bracket covers over opening in upper and bottom rails.

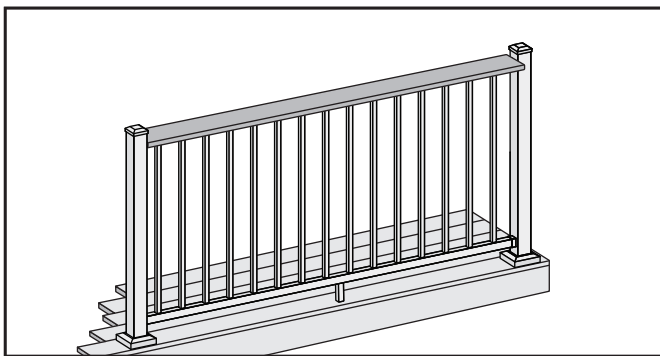


9. Attach provided post skirt to bottom of post.
10. Attach post caps to posts (use of a rubber mallet may be required for secure attachment).

HOW TO INSTALL SELECT ALUMINUM RAIL HORIZONTAL PANEL - COCKTAIL RAIL CONFIGURATIONS

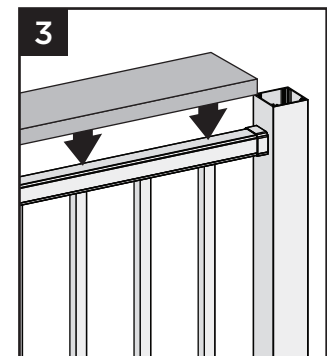
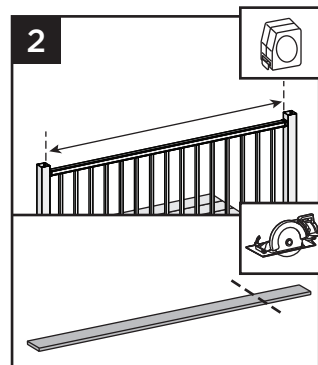
- » *Trex Cocktail Rail brackets (sold separately) are for use with either Traditional or Cocktail designs. For a 6' section, use 4 brackets and screws provided, for 8' section, use 5 brackets and screws provided.*
- » *When installing Cocktail or Traditional railing configurations with Select Aluminum Posts, you MUST use taller posts. For 36" railing heights use 42" post, for 42" railing heights use 53" post. Failure to do this will not allow post caps to fit properly on posts due to insufficient clearance.*
- » *When using Select Aluminum Posts, these can be cut to desired heights once Cocktail or Traditional rail heights are established. Ensure to allow enough space for post cap to fit properly.*
- » *When using pressure treated and post sleeve, post and post sleeve must be cut.*
- » *If using a one-piece skirt, ensure to attach this BEFORE attaching railing.*
- » *IF USING PRESSURE-TREATED POSTS WITH POST SLEEVES, PLEASE REFER TO LOCAL BUILDING CODE REQUIREMENTS PRIOR TO ATTACHING PRESSURE-TREATED POSTS.*

Cocktail Rail Panel with Select Aluminum Post Configuration



1. Follow steps on previous pages for installing brackets, panels, bracket covers, and skirts.

Attaching Deck Board to Top Rail



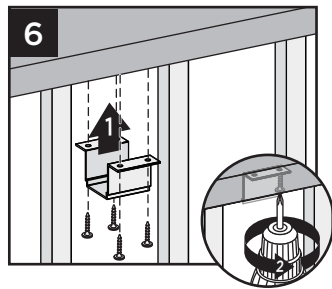
2. Measure between posts and cut deck board to length.
3. Place deck board onto top rail.
4. On underside of deck board, mark outline of bracket cover location.
5. Remove deck board from rail. Using a router bit, forstner bit, or something similar, rout out this area to allow deck board to fully seat onto top rail.

TREX SELECT™ ALUMINUM RAILING

Horizontal Installation Instructions

HOW TO INSTALL SELECT ALUMINUM RAIL HORIZONTAL PANEL - COCKTAIL RAIL AND TRADITIONAL RAIL CONFIGURATIONS/CONTINUED

6. Secure boards to top rail using cocktail bracket (sold separately). The cocktail bracket should be installed at ends of each rail, covering the underside of the top rail cocktail bracket, then space brackets approximately every 24" and attach with four screws provided.

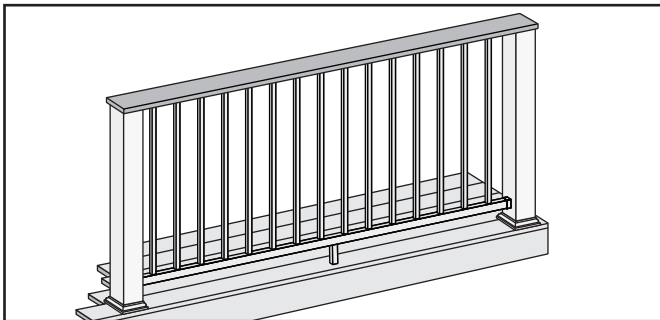


NOTE: Predrilling before attachment is recommended.

Attachment of Caps

7. See step 10 on previous page.

Cocktail Rail Panel with Pressure treated Post and Post Sleeve Configuration



Cutting Post and Post Sleeve

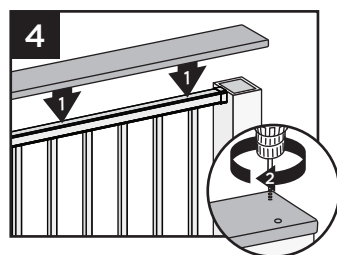
1. Mark and cut post and post sleeve measuring from deck surface:
 - » 36" for 36" height.
 - » 42" for 42 height.

2. Follow steps on previous pages for installing brackets, panels, bracket covers, and skirts.

NOTE: When installing the upper bracket covers, these will be slightly higher than the post/post sleeve.

Attaching Deck Board to Top Rail

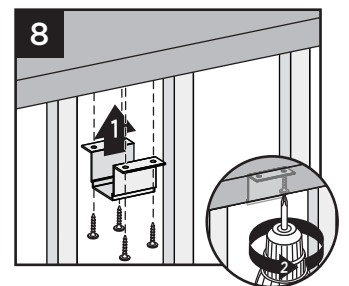
3. Place deck boards (DO NOT use Enhance deck boards for top rail) over top rails.



6

5. On underside of deck board, mark outline of bracket cover location only.
6. Remove deck board from rail. Using a router bit, forstner bit, or something similar, rout out this area to allow deck board to fully seat onto top rail and post/post sleeve.
7. Attach boards on each post with Trex-approved composite screws (quantity of 2 per each board end).

8. Secure boards to top rail using Trex Cocktail Bracket (sold separately). Ensure that there is a bracket at each end of the railing section, then space brackets approximately every 24" and attach with 4 screws provided.

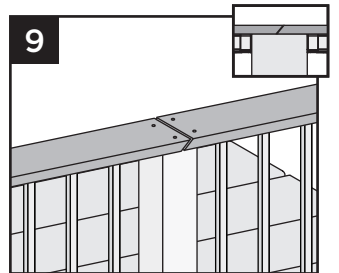


NOTE: Predrilling before attachment is recommended.

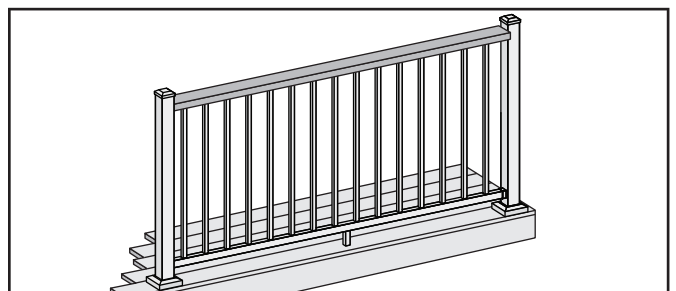
9. Use scarf cut for posts where two deck boards meet.

NOTES:

- » Leave 1/8" gap between deck boards.
- » Deck boards can overhang end of last post maximum 1/2".



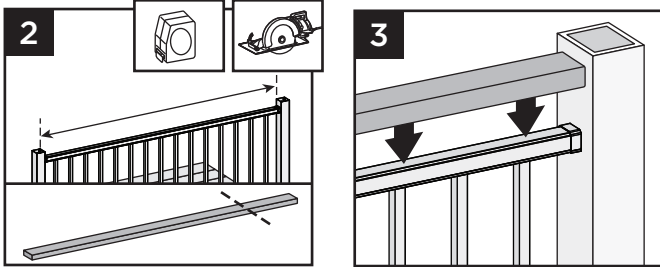
Traditional Rail Panel with Select Aluminum Post Configuration



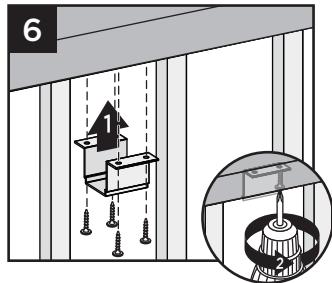
1. Follow steps on previous pages for installing brackets, panels, and bracket covers.

HOW TO INSTALL SELECT ALUMINUM RAIL HORIZONTAL PANEL - TRADITIONAL RAIL CONFIGURATIONS

Attaching 2 x 4 to Top Rail



2. Measure between posts and cut 2 x 4 to length.
3. Place 2 x 4 on Select top rail.
4. On underside of 2 x 4, mark outline of bracket cover location.
5. Remove 2 x 4 from rail. Using a router bit, forstner bit, or something similar, rout out this area to allow 2 x 4 to fully seat onto top rail.
6. Secure 2 x 4 to top rail using cocktail bracket (sold separately). The cocktail bracket should be installed at ends of each rail, covering the underside of the top rail bracket, then space cocktail brackets approximately every 24" and attach with four screws provided.

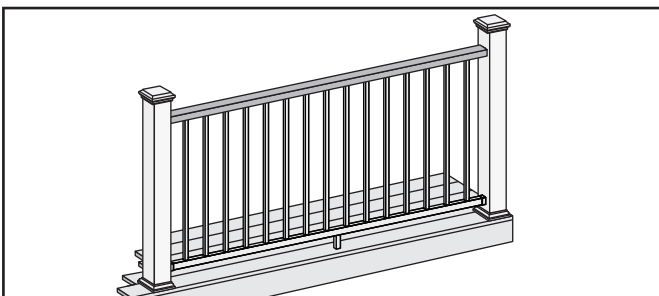


NOTE: Predrilling before attachment is recommended.

Attachment of Caps

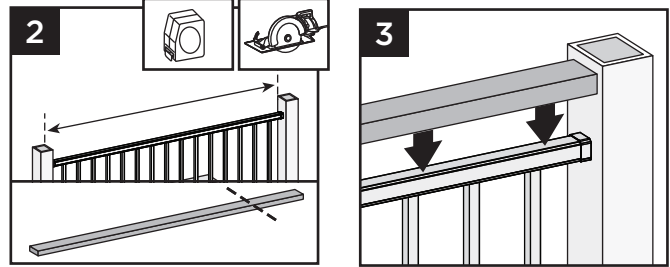
7. See step 10 on page 3.

Traditional Rail Panel with Pressure treated Post and Post Sleeve Configuration

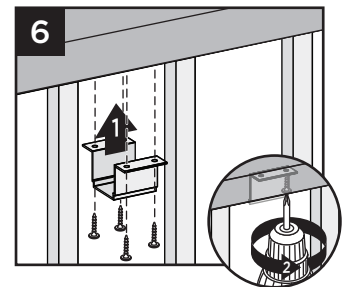


1. Follow steps on previous pages for installing brackets, panels, and bracket covers.

Attaching 2 x 4 to Top Rail

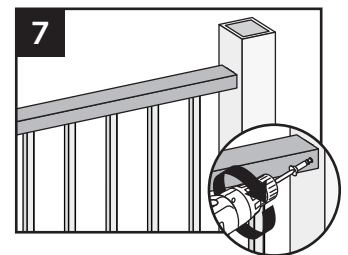


2. Measure between posts and cut 2 x 4 to length.
3. Place 2 x 4 on top rail.
4. On underside of 2 x 4, mark outline of bracket cover location.
5. Remove 2 x 4 from rail. Using a router bit, forstner bit, or something similar, rout out this area to allow 2 x 4 to fully seat onto top rail.
6. Secure 2 x 4 to top rail using Trex Cocktail Bracket (sold separately). Ensure that there is a bracket at each end of the railing section, then space brackets approximately every 24" and attach with 4 screws provided.

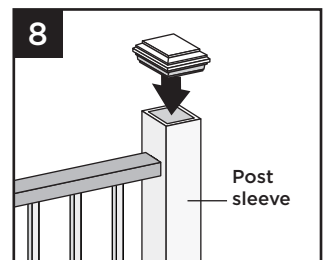


NOTE: Predrilling before attachment is recommended.

7. Pre-drill a pilot hole and toenail 2-1/2" approved screw at each end of 2 x 4 into post on back side of rail (side not facing decking).



8. Attach post caps to post sleeves using external grade PVC construction adhesive (apply adhesive on the inside self-centering/corner tabs). 2 x 4 to fully seat onto top rail provided.



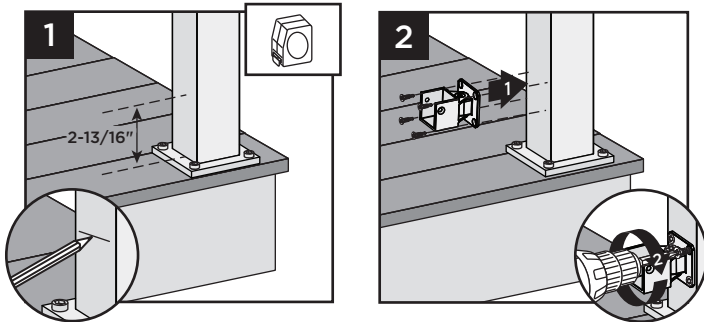
TREX SELECT™ ALUMINUM RAILING

Horizontal Installation Instructions

HOW TO INSTALL HORIZONTAL SWIVEL BRACKETS

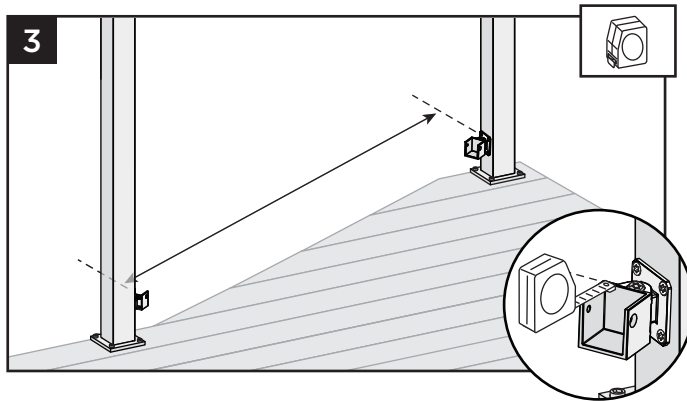
- » HORIZONTAL SWIVEL BRACKETS CAN BE USED UP TO A 45° ANGLE FOR TREX SELECT ALUMINUM PANEL RAILINGS.
- » WHEN USING HORIZONTAL SWIVEL BRACKETS IT IS VERY IMPORTANT TO LAY OUT LOCATION AND ORIENTATION OF POSTS AND SWIVEL BRACKETS BEFORE INSTALLING SWIVEL BRACKETS
- » ENSURE BARREL BOLTS ON SWIVEL BRACKETS ARE TIGHT DURING AND AFTER RAILING INSTALLATION.

Attach Lower Swivel Brackets to Select Aluminum Posts



1. Measure 2-13/16" from top of post base plate. Mark with light line.
2. Center lower bracket on post **above** the marked line and attach using four #10 x 3/4" self-drilling screws (provided).

How to Measure and Cut Bottom and Top Railings (When Required)

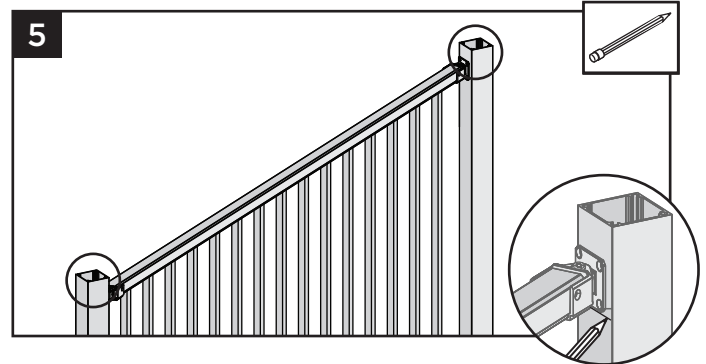


3. With lower brackets in correct swivel location, measure distance from inside of bracket to inside of bracket. Also allow for 1-1/2" clearance on each side for panel rails to attach to brackets. Cut panel as per previous instructions.

Attaching Foot Block

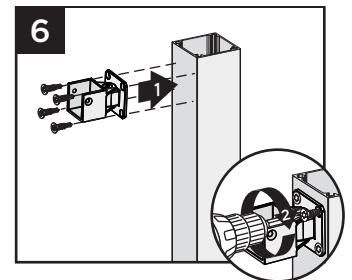
4. Attach foot blocks as per previous instructions on page 2.

Installing Upper Swivel Brackets to Select Aluminum Posts

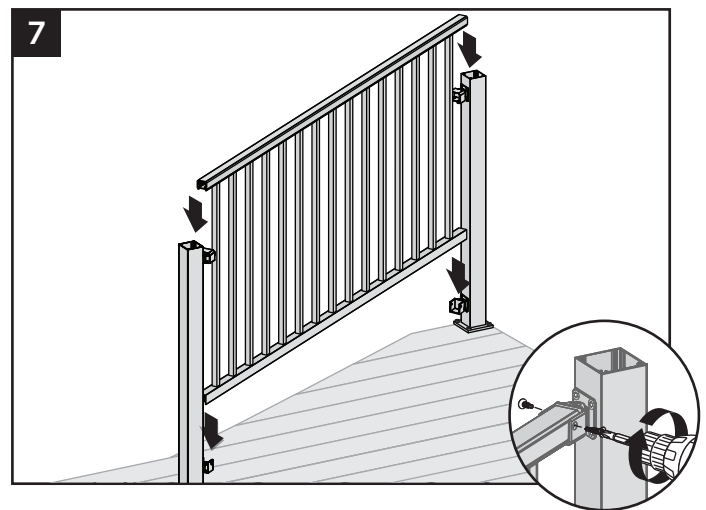


5. Place panel into lower swivel brackets. Temporarily place the upper swivel brackets onto the top rail and mark post at underside of bracket location. If necessary, use a clamp to hold brackets on top rail.

6. Center upper bracket on post above marked line and attach using four #10 x 3/4" self-drilling screws (provided).



Installing Panel to Brackets



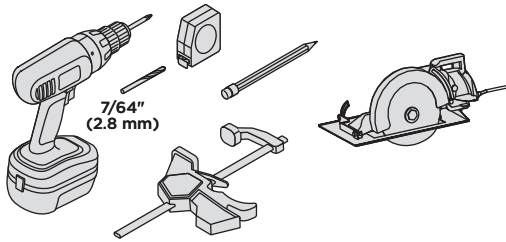
7. Attach panel to brackets using two #4 x 3/4" self-drilling screws (provided).
8. Attach bracket covers, caps, and skirts as per previous instructions on page 3.

TREX SELECT™ ALUMINUM RAILING PANEL

Stair Installation Instructions



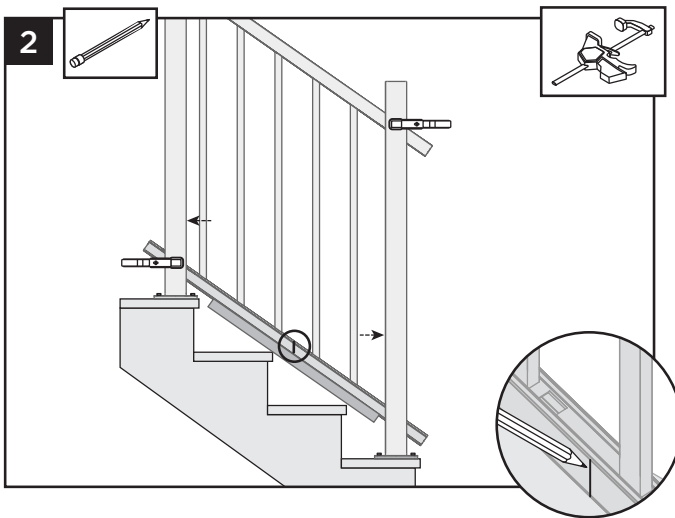
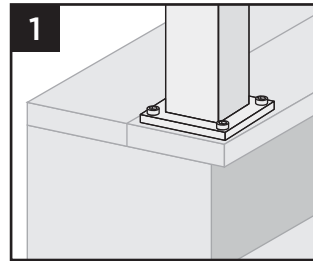
TOOLS NEEDED



NOTES:

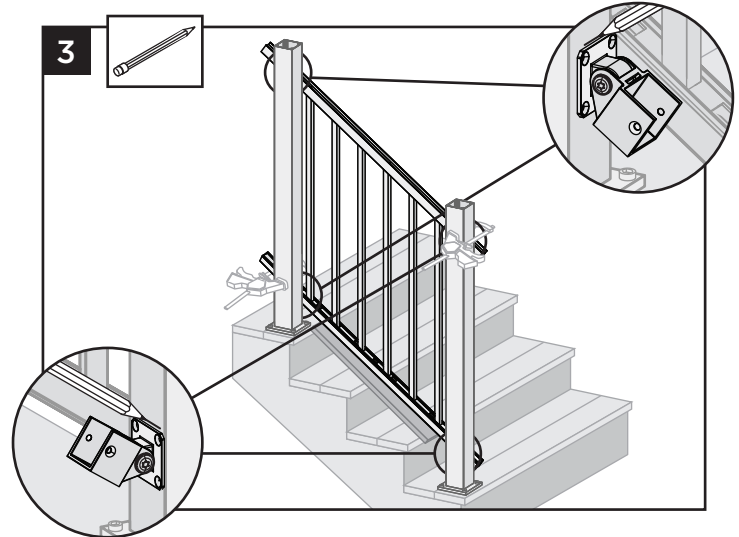
- » FOR A 6' OR 8' STAIR RAIL, POST TO POST SPAN WILL BE LESS THAN 6' OR 8'. PRIOR TO INSTALLING STAIR POSTS CALCULATE POST TO POST SPAN USING A MAXIMUM STAIR RAIL LENGTH REQUIRED AND THE ANGLE AT WHICH THE STAIR RAILS WILL BE INSTALLED. DO NOT INSTALL STAIR POSTS AT 6' OR 8' SPAN, AS STAIR RAILINGS WILL THEN BE TOO SHORT.
- » FOR STAIR INSTALLATIONS USE A 53" STAIR POST. POST CAN BE CUT TO DESIRED HEIGHT ONCE RAILING HEIGHT IS ESTABLISHED. ENSURE ADEQUATE SPACE FOR POST CAP TO FIT PROPERLY.
- » DO NOT CUT SELECT ALUMINUM RAILING PANELS ON TOP OF DECK SURFACE. METAL FLAKING CAN BE DIFFICULT TO CLEAN.
- » ALWAYS WEAR APPROPRIATE SAFETY GLASSES WHEN CUTTING METAL.
- » USE CAUTION WHEN INSTALLING STAIR PANEL AS TOO MUCH RACKING MAY CAUSE PANEL TO DISENGAGE
- » ENSURE BARREL BOLTS ON SWIVEL BRACKETS ARE TIGHT DURING AND AFTER RAILING INSTALLATION.

1. Install post at nose of stair tread directly above the required blocking. ALWAYS refer to your local building code official prior to installing any railing system to ensure all code and safety requirements are met. Trex cannot be held responsible for improper or non-recommended installations.

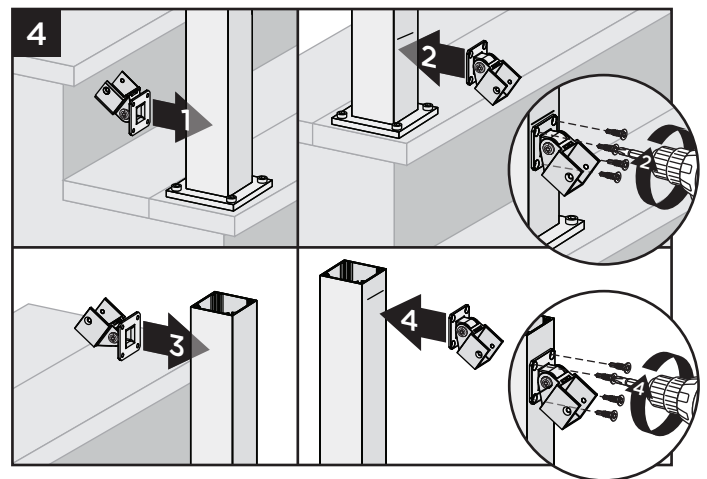


2. Use a 1" deck board as a spacer board and lay this on the stair treads between the posts. Place stair panel on top of the deck board and clamp stair panel to posts. Ensure that balusters are straight and positioned with equal spacing at post locations. Make a small mark near the center of the panel for the location of the foot block.

Attaching Upper and Lower Stair Swivel Brackets



3. Align the bracket with top and bottom railing. Mark a light line on post above the swivel base.

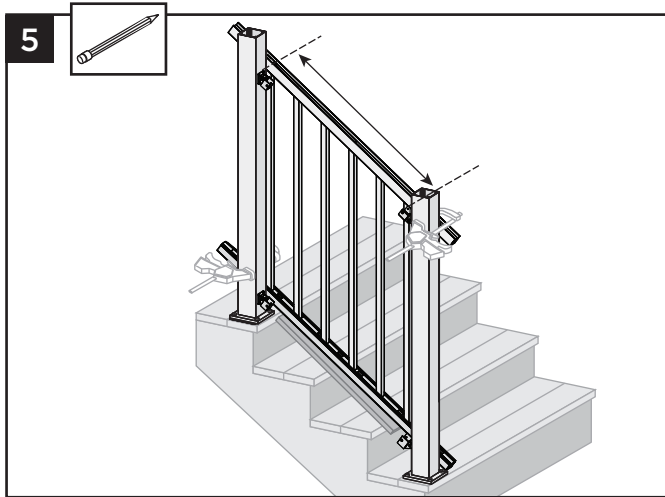


4. Center stair brackets on posts below the marked line and attach using four #10 x 3/4" self-drilling screws (provided). In some cases it may be difficult to attach the stair bracket on the lower stair post. A 90° drill or adapter is recommended to attach screws in this area.

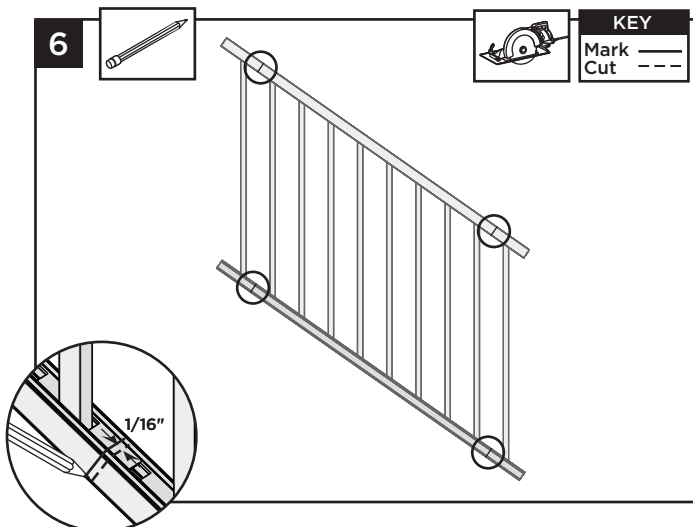
TREX SELECT™ ALUMINUM RAILING PANEL

Stair Installation Instructions

Marking and Cutting Stair Panel Rails (when required)

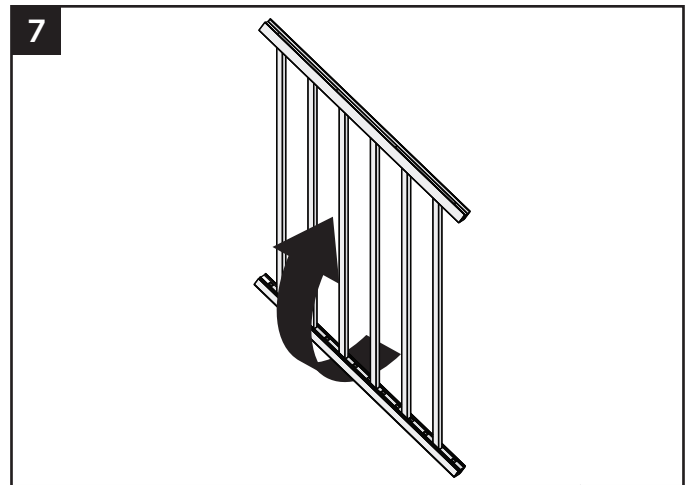


5. Mark top and bottom rails where they align with the rear wall of the top and bottom brackets.

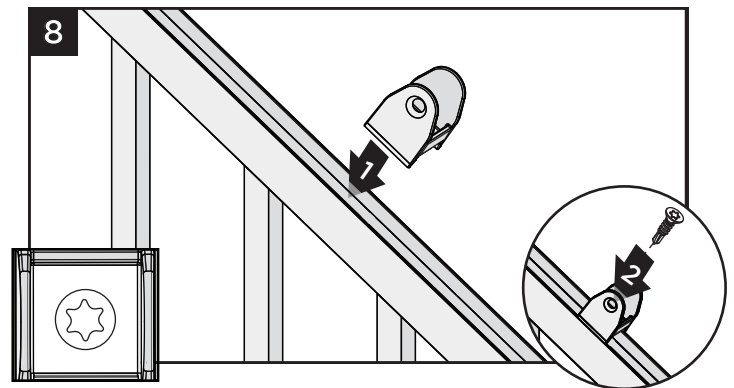


6. Remove panel and place on flat surface (note stair panel can be "unracked" if necessary for ease of cutting - use caution as balusters may come loose). Extend marks to side of rails. Brackets are designed to allow for railing to be installed with a standard perpendicular cut. Cut end of rails $1/16$ " shorter than mark on each side to allow for a better fit.

Installing Foot Block Insert

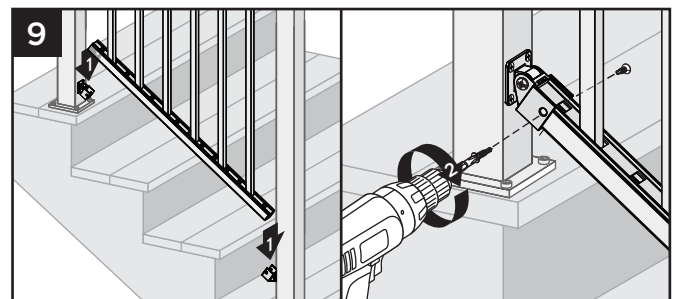


7. Turn panel upside down.



8. Install foot block insert on underside of bottom rail at marked location using one #10 x $3/4$ " screw.

Attaching Stair Panel to Stair Swivel Brackets

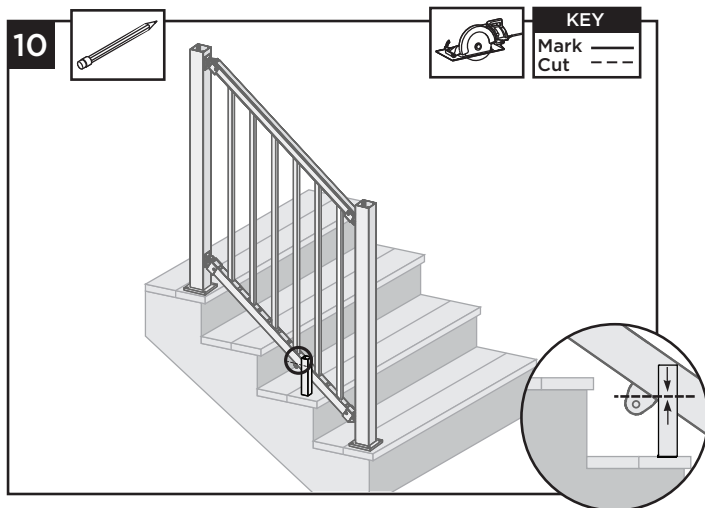


9. Attach stair panel to swivel brackets using two #10 x $3/4$ " self-drilling screws (provided).

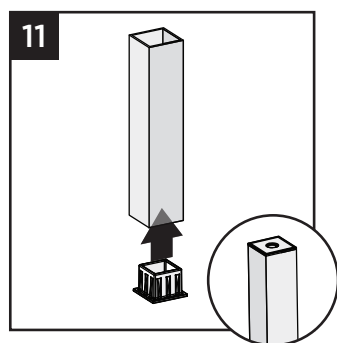
TREX SELECT™ ALUMINUM RAILING PANEL

Stair Installation Instructions

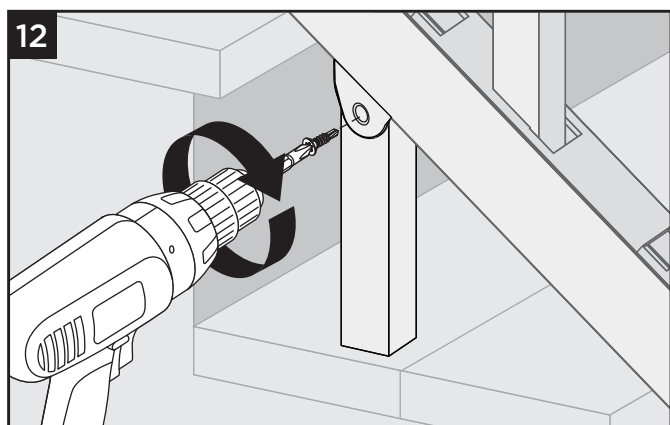
Installing Foot Block Shaft



10. Place foot block shaft beside mounted stair panel, mark above mounting hole (also allow for bottom rail clearance) and cut to length.

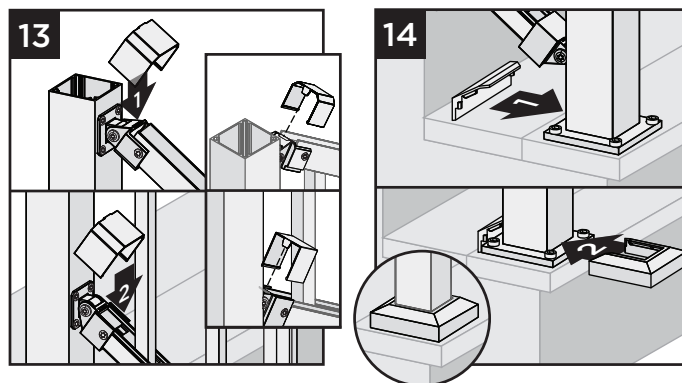


11. Gently tap bottom plug into cut side foot block (this will cover exposed cut aluminum).



12. Install foot block shaft to foot block insert with one #10 x 3/4" screw.

Attachment of Bracket Covers, Skirts, and Caps



13. Gently spread and then snap corresponding bracket covers over opening in upper and bottom rails.

14. Attach provided post skirt to bottom of post.

15. Attach post caps to posts (use of a rubber mallet may be required for secure attachment).

