

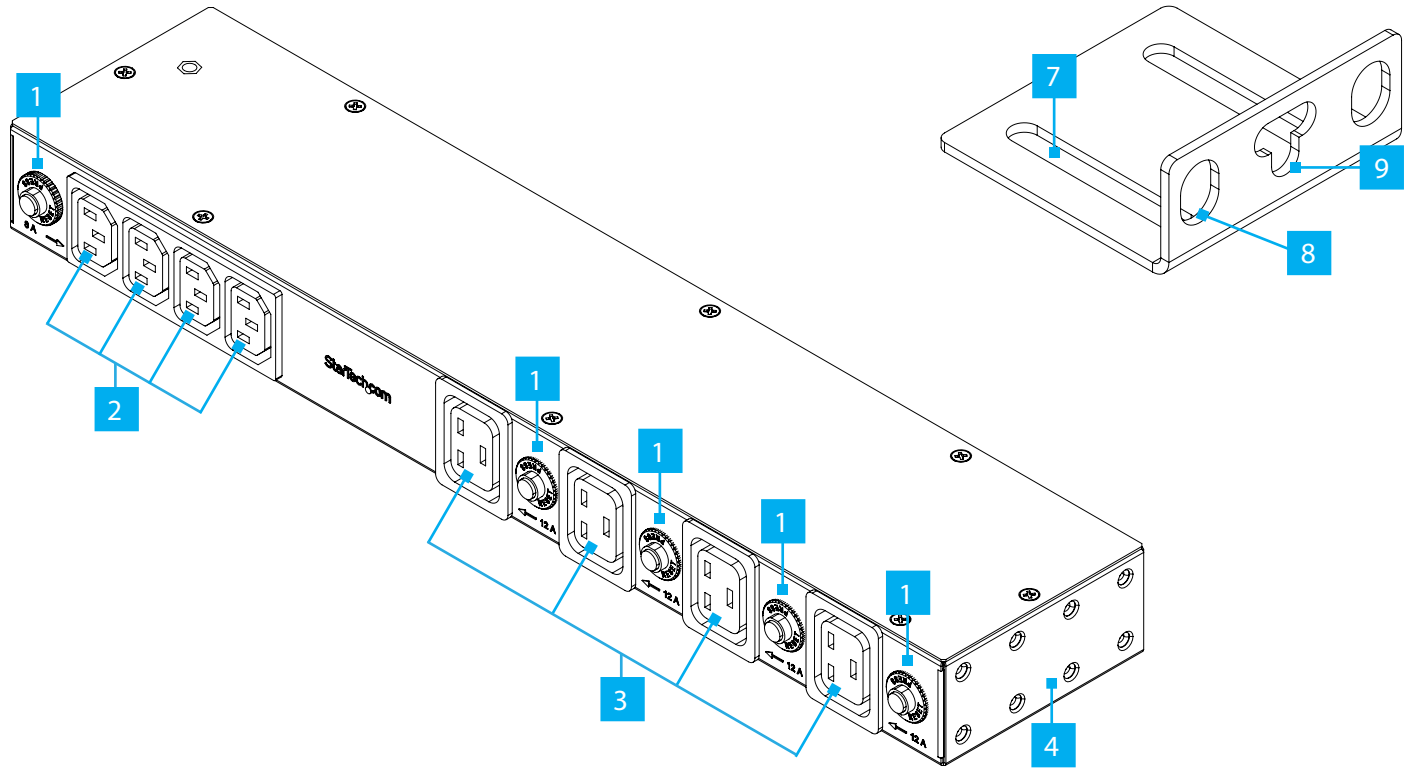
## 20-Outlet 1U Rack Mount PDU - NEMA L6-30P Plugs - 8Ft (2.4m) Power Cable

### Product ID

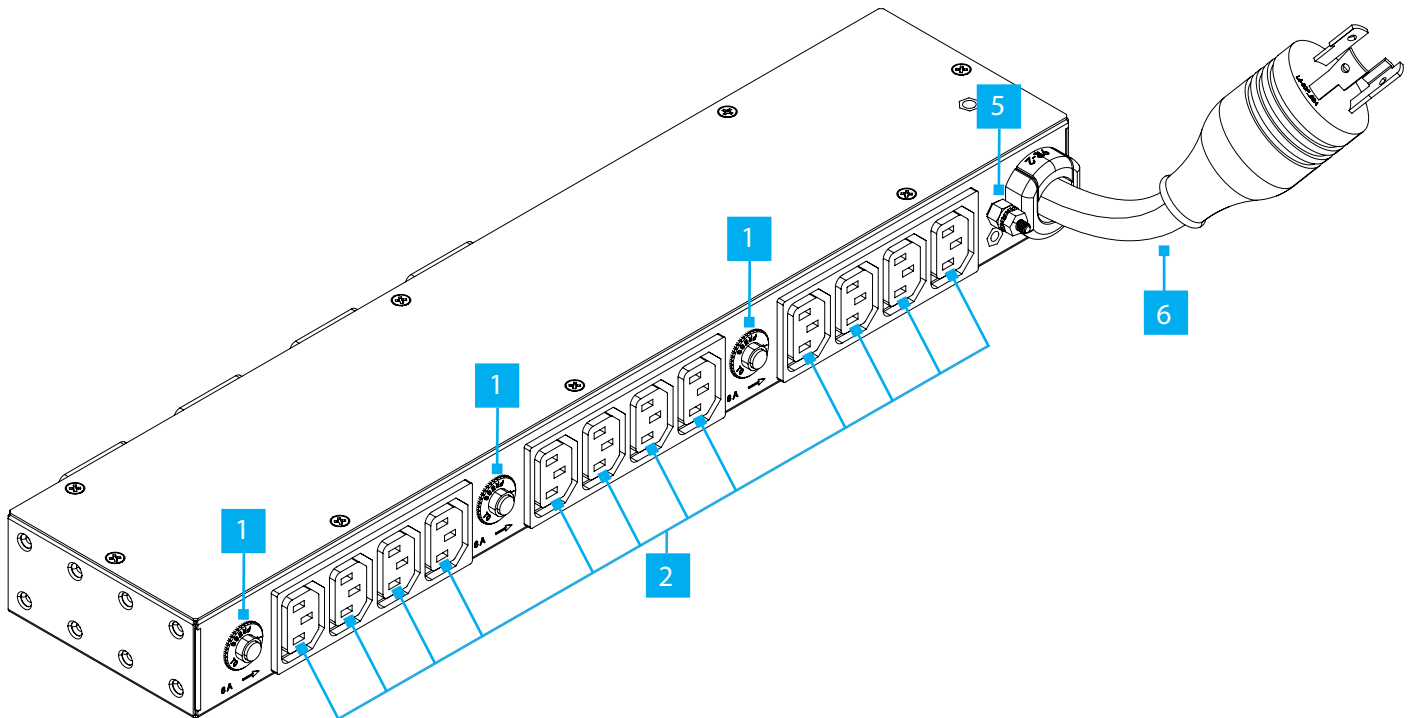
2030B8H-RACK-PDU-IC

Front View

4-Way Mounting Bracket View



Rear View



\*Product may vary from image

	Feature	Function
1	Circuit Breaker Manual Reset Button	<ul style="list-style-type: none"> <li>Restores <b>Power</b> by resetting the <b>Circuit Breaker</b> when tripped</li> <li>An <b>Arrow</b> underneath the button indicates which <b>Power Outlet(s)</b> the button resets</li> <li>The <b>Max Current Rating</b> for the specific <b>Power Bank</b> is indicated underneath the button</li> </ul>
2	Power Outlets x 16	<ul style="list-style-type: none"> <li><b>IEC C13</b> receptacle. Rated for 240V AC at 10A (8A de-rated)</li> <li>Supplies <b>AC Power</b> to devices with <b>IEC C14</b> plugs</li> </ul>
3	Power Outlets x 4	<ul style="list-style-type: none"> <li><b>IEC C19</b> receptacle. Rated for 240V AC at 15A (12A de-rated)</li> <li>Supplies <b>AC Power</b> to devices with <b>IEC C20</b> plugs</li> </ul>
4	Mounting Brackets Mounting Holes	<ul style="list-style-type: none"> <li>Used to secure attach the included <b>Mounting Brackets</b></li> </ul> <p><b>Note:</b> <i>The Mounting Brackets are pre-installed</i></p>
5	Grounding Point	<ul style="list-style-type: none"> <li>Attach a <b>Grounding Wire</b> (not included) to an <b>Earth Ground Connection</b></li> </ul> <p><b>Note:</b> <i>A Grounding Wire is typically Green or Green with a Yellow stripe and should be at least 18 AWG</i></p>
6	Built-in Power Cable	<ul style="list-style-type: none"> <li><b>NEMA L6-30P</b> plug. Rated for 240V AC at 24A and 208V AC at 30A</li> <li>Connects to a <b>200-240V AC Power Source</b> via <b>NEMA L6-30R</b> receptacle</li> </ul>
7	4-Way Mounting Bracket Depth Adjustment Slots	<ul style="list-style-type: none"> <li>Used to fasten the <b>Rack/Wall-Mount Brackets</b> to the <b>PDU</b> and adjusting the <b>Mounting Depth</b> of the <b>PDU</b> when mounted horizontally</li> </ul>
8	4-Way Mounting Bracket Rack Mounting Holes	<ul style="list-style-type: none"> <li>Used to fasten the <b>PDU</b> to a <b>Server Rack</b> or <b>Cabinet Mounting Posts</b> in <b>Horizontal</b> or <b>Vertical</b> orientations</li> </ul>
9	4-Way Mounting Bracket Keyhole	<ul style="list-style-type: none"> <li>Used to <b>Slide-and-Mount</b> the <b>PDU</b> with an appropriately sized <b>Peg</b> or <b>Screw</b></li> </ul>

## Package Contents

- PDU Unit x 1 **(A)**
- 4-Way Mounting Brackets x 2 **(B)**
- M5x12mm Rack Screws x 4 **(C)**
- M5 Cage Nuts x 4 **(D)**
- Quick-Start Guide x 1

## Requirements

For the latest manuals, product information, technical specifications, and declarations of conformance, please visit: [www.StarTech.com/2030B8H-RACK-PDU-IC](http://www.StarTech.com/2030B8H-RACK-PDU-IC)

- Phillips head screwdriver (PH1) for M3 screws and PH2 for M5 Screws
- Cage nut tool (optional)

## Warnings!

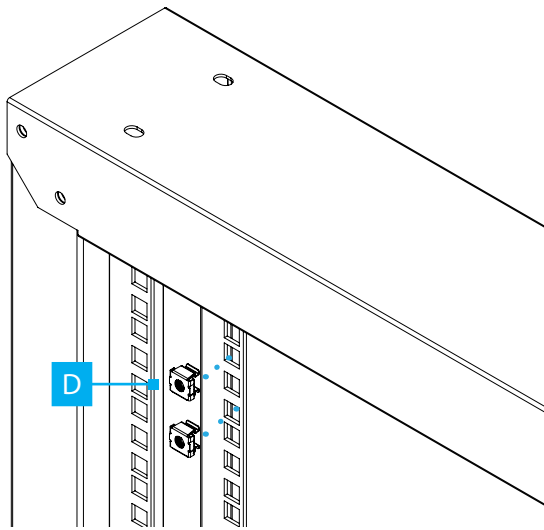
- StarTech.com Ltd. is not responsible for any property damage and/or personal injury resulting from the installation procedures outlined in this technical document.
- Read the entire Quick-Start Guide and ensure the instructions are fully understood before using this product.
- Refer to the manufacturer of the Server Rack to determine the mounting hole type and size
- If the Server Rack Mounting Posts have M5 threaded holes, the included M5x12mm Rack Screws can be installed without Cage Nuts. Use the manufacturer-recommended Screws if they differ from the ones included.
- Never operate this product if parts are missing or damaged.
- Do not touch the product under power if the product has an exposed printed circuit board or electrical wire.
- If the connected equipment overdraws excessive current for more than a few seconds, the Circuit Breaker in the Power Delivery Unit will trip to help prevent potential equipment damage. Inspect the connected load and disconnect any non-essential or malfunctioning devices as necessary. Allow the Power Delivery Unit to cool down for at least 60 seconds before pressing the Manual Reset Button to restore functionality.
- Never insert foreign objects into the PDU outlets. Doing so may result in electric shock, fire, serious injury, or irreparable equipment damage. The outlets are designed exclusively for use with compatible power plugs. Always follow the manufacturer's instructions and applicable safety standards.

**Note:** *This unit is only to be used inside racks within computer, telecommunications, and cloud data center rooms.*

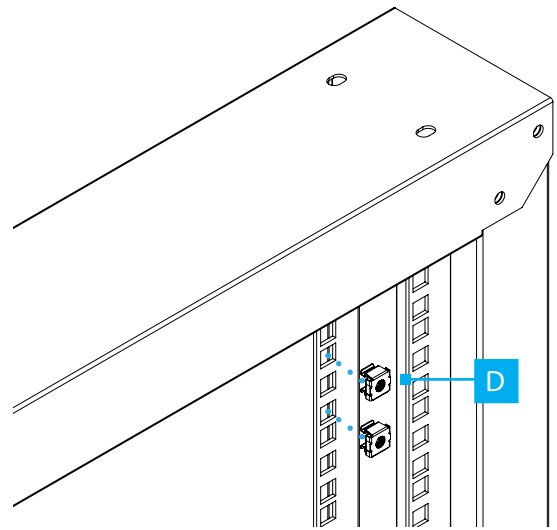
# Installation

## 1U Front or Rear Rack Mounting

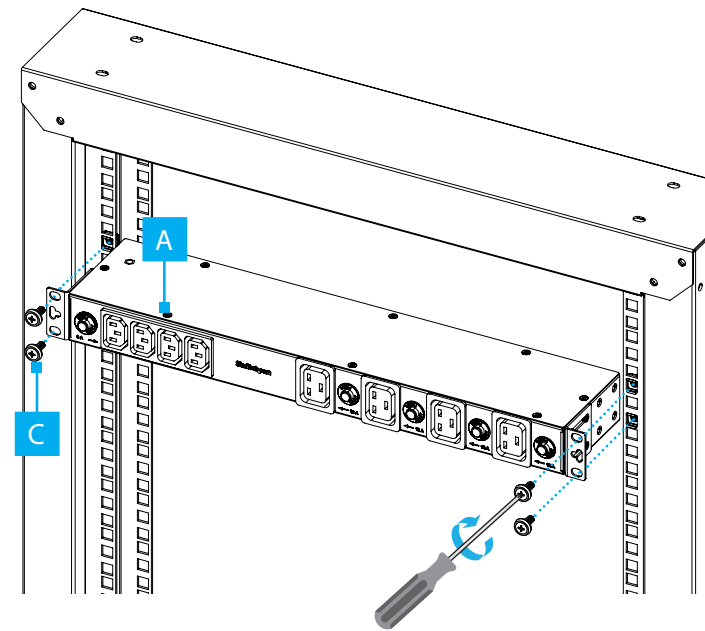
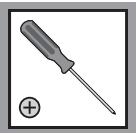
1



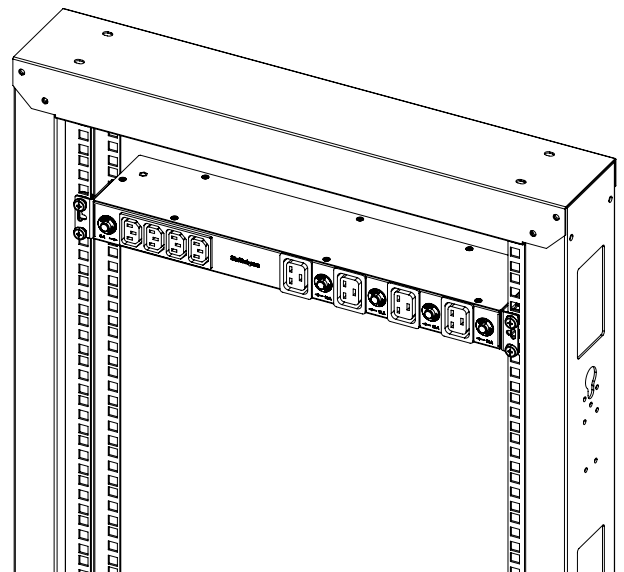
2



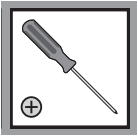
3



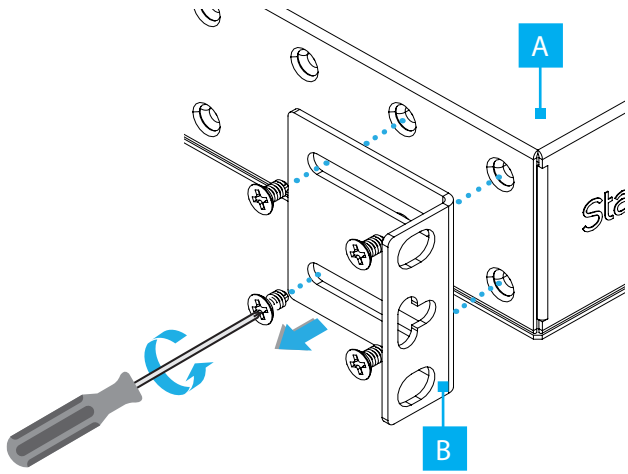
4



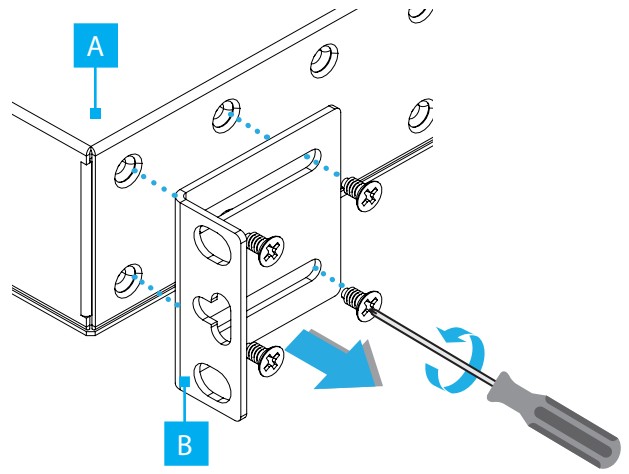
### 4-Way Mounting Brackets Removal and Repositioning



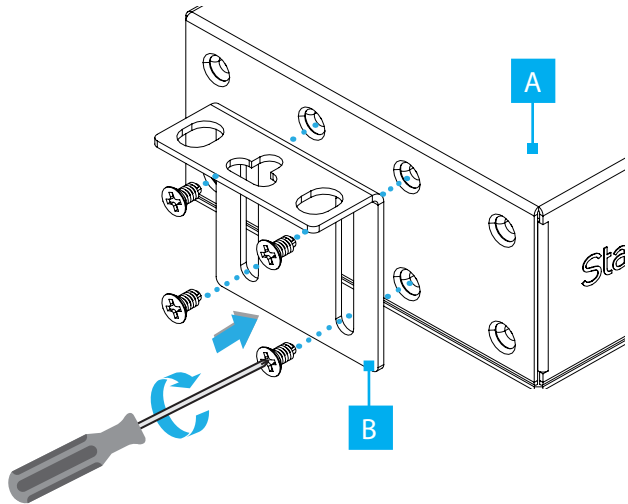
1



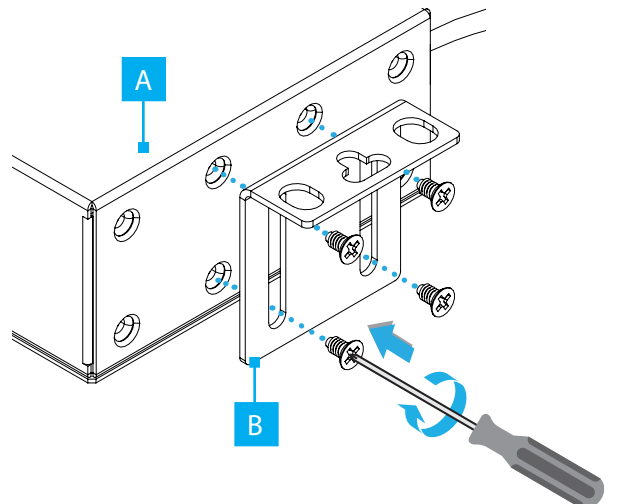
2



3



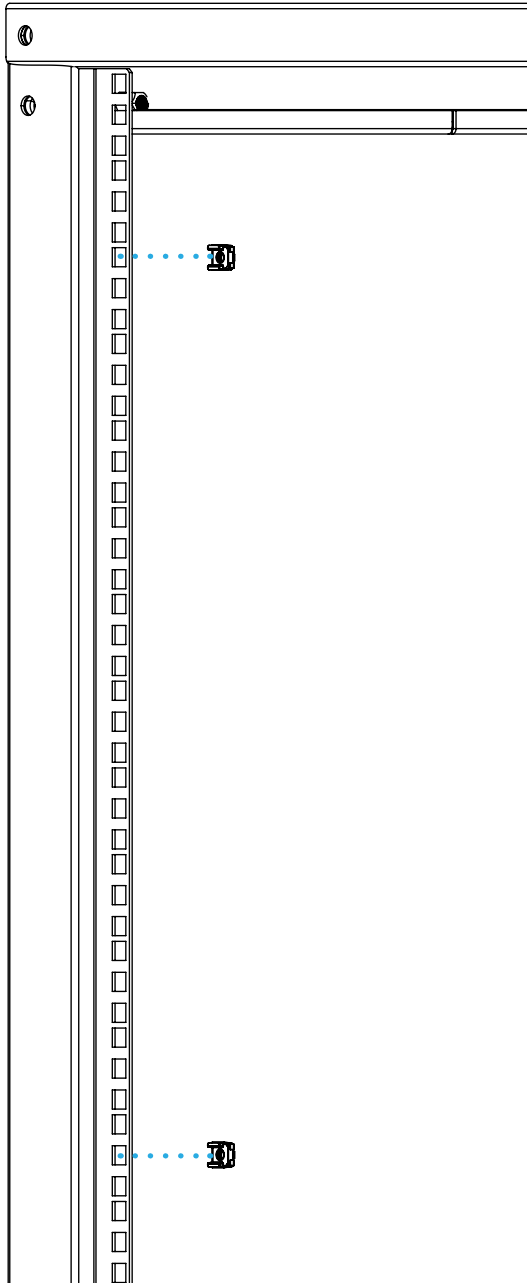
4



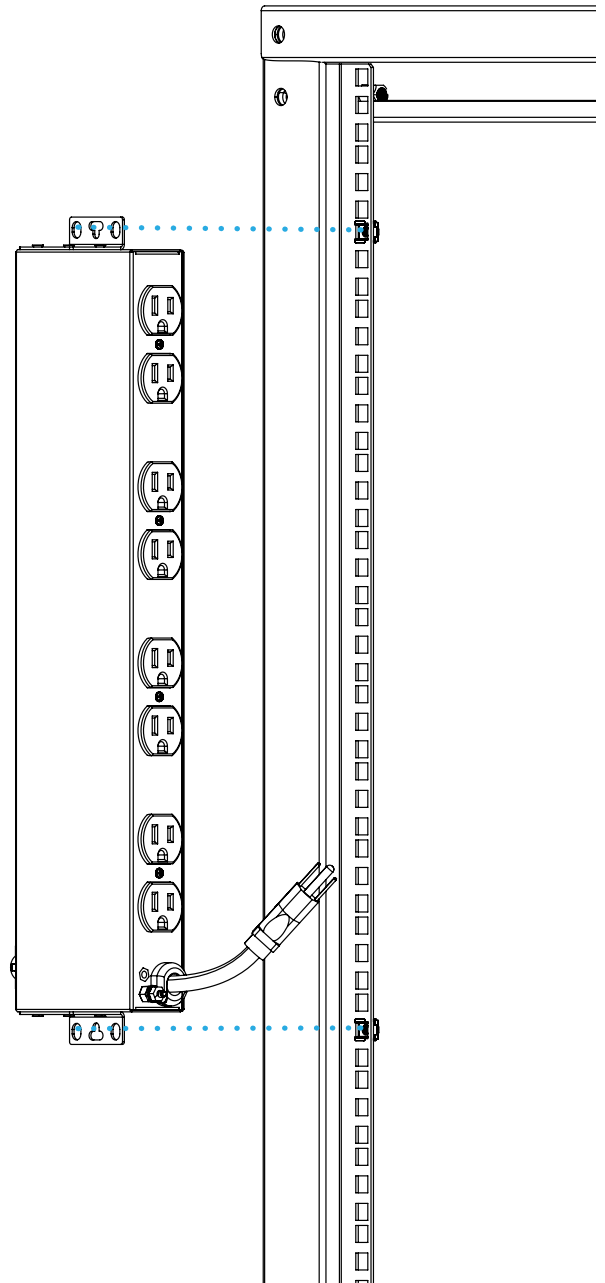
⋮

# 0U Vertical Mounting

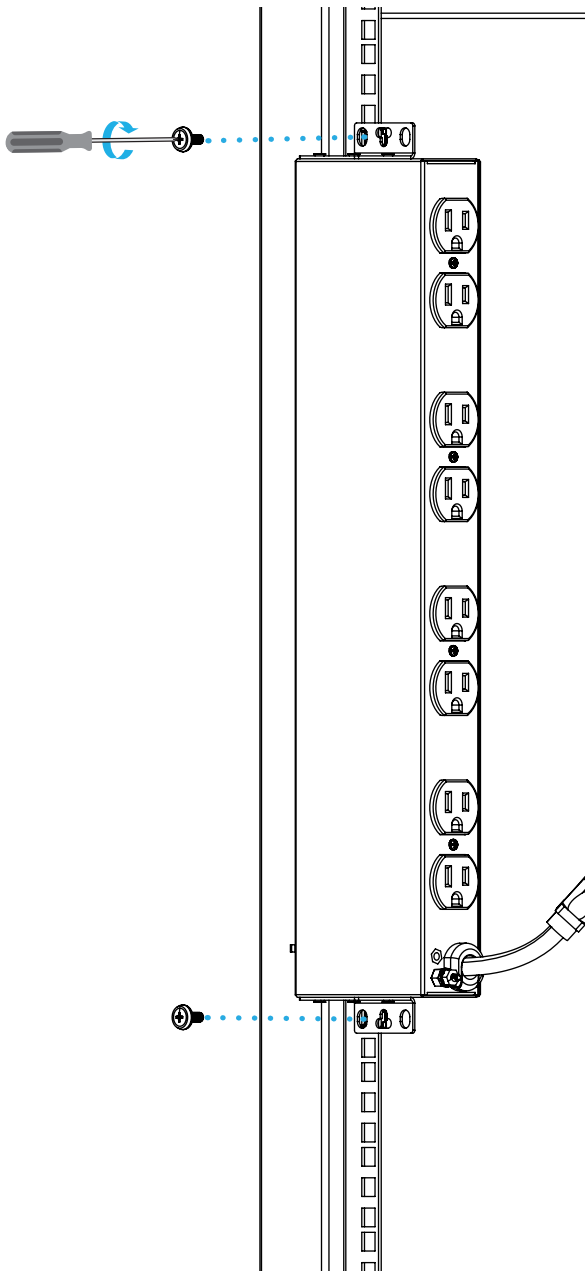
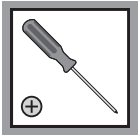
1



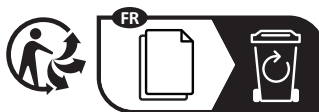
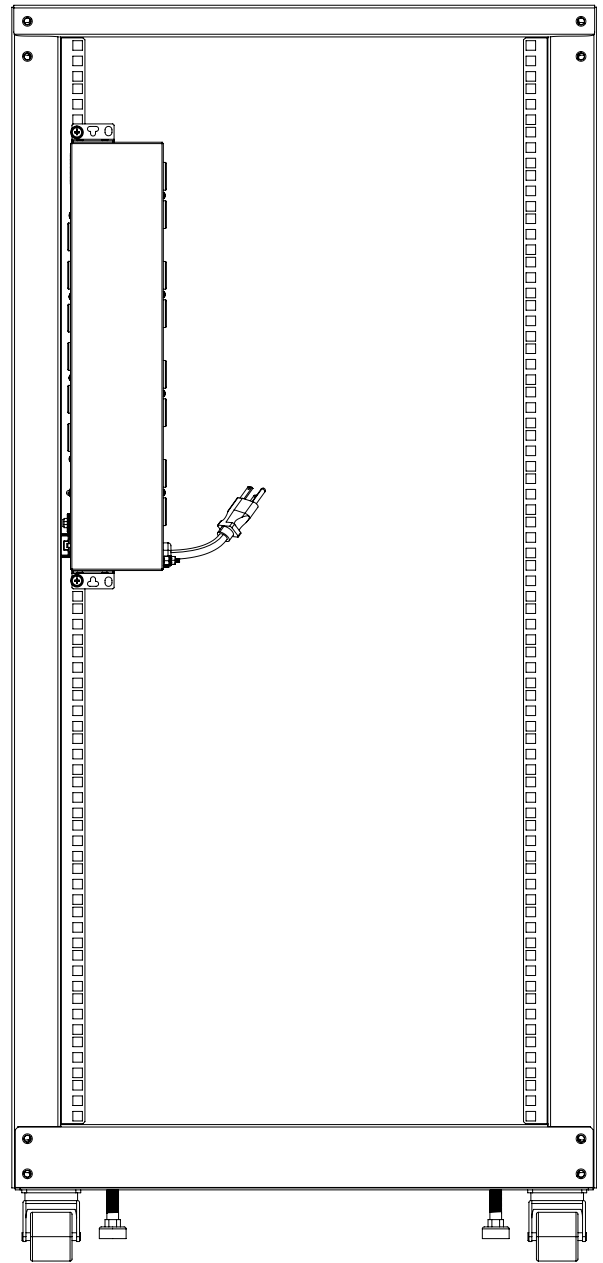
2



3



4



**HQ Contact:**  
StarTech.com Ltd.  
45 Artisans Crescent,  
London, ON N5V 5E9,  
Canada

**US Contact:**  
StarTech.com USA LLP  
4490 South Hamilton Rd,  
Groveport, OH 43125,  
United States

**UK Contact:**  
StarTech.com Ltd.  
15 Gowerton Rd,  
Northampton, NN4 7BW,  
United Kingdom

**EU Contact:**  
StarTech.com Ltd.  
Siriusdreef 17-27  
2132 WT Hoofddorp  
The Netherlands

**JP Contact:**  
StarTech.com K.K.  
Atelier Yours Ogawamachi 7F  
1-10-2 Kanda Ogawamachi  
Chiyoda-ku, Tokyo 101-0052  
Japan

FR: startech.com/fr  
DE: startech.com/de  
ES: startech.com/es  
NL: startech.com/nl  
IT: startech.com/it  
JP: startech.com/jp