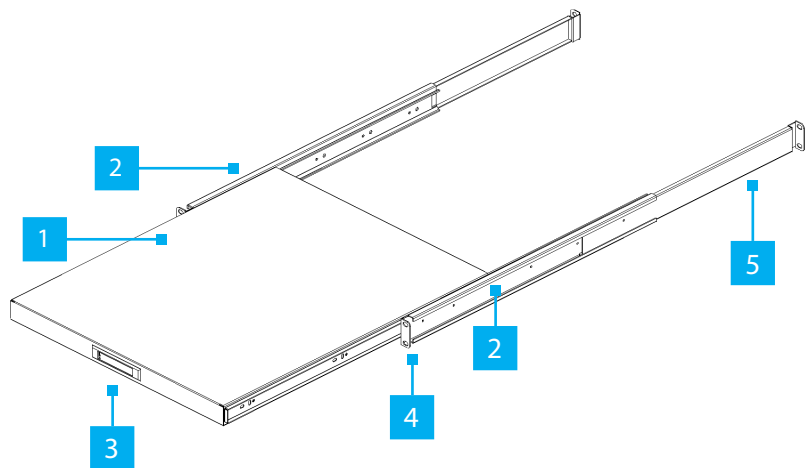


1U Sliding Server Rack Shelf - 22in Deep

Product ID

SLIDESHELF - Revision 02 or Above



*Product may vary from image

Component	Function
1 Shelf Surface	<ul style="list-style-type: none"> Place Rack Equipment Note: The Sliding Shelf can also be installed upside down and function as a drawer instead.
2 Release Levers x 2 (Not Shown)	<ul style="list-style-type: none"> Located on both sides of the Sliding Shelf Allow to release the locking mechanism to retract or remove the Sliding Shelf from the Rails The Release Levers operate in opposite directions. One moves Down and the other Up
3 Handle	<ul style="list-style-type: none"> Used to Pull or Push the Sliding Shelf The Handle Rotates 180° allowing it to sit flush against the front of the Sliding Shelf
4 Front Rails x 2	<ul style="list-style-type: none"> Allows the Sliding Shelf to slide in or out of position Used to attach the Sliding Shelf onto the Front Mounting Posts of a Rack
5 Rear Rails x 2	<ul style="list-style-type: none"> Used to attach the Sliding Shelf onto the Rear Mounting Posts of a Rack

Product Information

For the latest manuals, product information, technical specifications, and declarations of conformance, please visit: www.StarTech.com/SLIDESHELF

How to Identify the LOT Code Revision Number

The Revision Number (Rev #) appears as the fifth and sixth digits of the LOT code, located on the sticker affixed to the product and its packaging. If the LOT code sticker is missing, the product is Rev 01. Refer to www.StarTech.com/SLIDESHELF to download the manual for Revision 01.

Requirements

- Phillips Head Screwdriver
- (Optional) Cage Nut Tool

Package Contents

- 1U Sliding Shelf x 1
- Rail Assembly x 2
- M5 Screws with Washers x 8
- M5 Cage Nuts x 8
- Quick-Start Guide x1

Warnings!

Read the entire Quick-Start Guide and ensure the instructions are fully understood before assembling and using this product.

Before adding equipment to this product, ensure this product has been properly mounted.

Never operate this product if parts are missing or damaged.

Ensure the weight of the equipment does not exceed the weight capacity of this product. If the weight capacity is exceeded, personal injury or damage to the equipment is possible. This product can support the following weight: up to 55.1 lb (25 kg).

All four mounting points must be properly secured to each of the posts on a four-post rack.

Never exceed the maximum mounting depth specification for this shelf: 32.2in (820mm).

Installation

1. Determine a suitable location on the **Rack** to mount the **Sliding Shelf**. The **Sliding Shelf** requires **1U** of **Mounting Space**.
2. Install the **M5 Cage Nuts** into the **Mounting Holes** on the **Front and Rear Mounting Posts** of the **Rack**. If available, use a **Cage Nut Tool** or your preferred installation method to install the **Cage Nuts**.
3. Slide the **Rear Rails** (x 2) away from the **Front Rails** (x 2) based on the required **Mounting Depth**. This completes the **Rail Assembly** (x 2). (Figure 1)

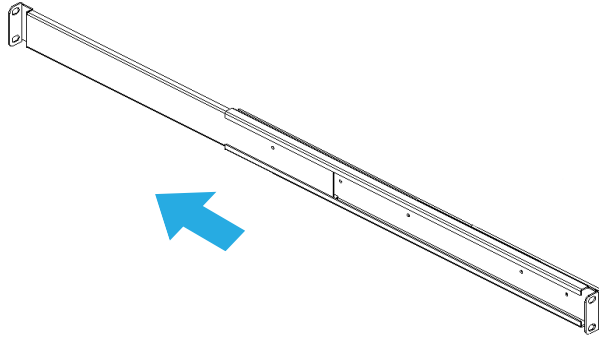


Figure 1

4. Mount the **Rail Assembly** (x 2) by inserting the **M5 Screws** (x 8) through the **Plastic Washers** (x 8), **Rail Assembly Mounting Holes**(x 2), and into the **M5 Cage Nuts** (x 8). Tighten the **Screws** (x 8) using a **Phillips Head Screwdriver**. (Figure 2)

Note: Two people are recommended to accomplish this step.

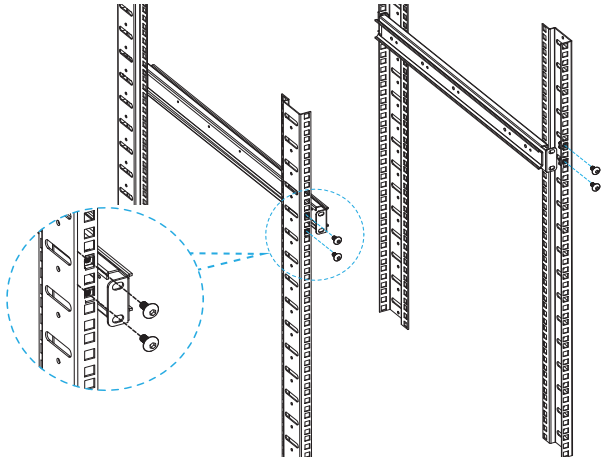


Figure 2

5. Insert the **Sliding Shelf** all the way into the **Rail Assembly** (x 2). (Figure 3)

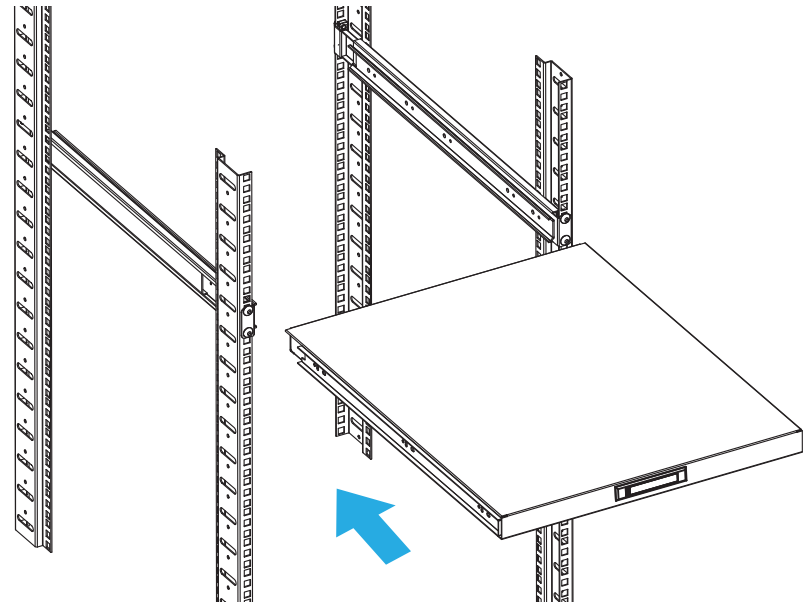


Figure 3

6. To reveal the **Handle**, **Push** one side to rotate it **180°**.
7. Pull the **Sliding Shelf** using the **Handle** and ensure that it **Stops**.
8. (Optional) To remove the **Sliding shelf** or to use it as a **Drawer** (when installed upside down), **Fully Extend** the **Sliding Shelf**, and locate the **Release Levers** on the sides of the **Sliding Shelf**. Engage both **Release Levers** at the same time and **Pull** the **Sliding Shelf** out of the **Rail Assemblies**. Repeat **Step 5** to install the **Sliding Shelf**.

Note: The **Release Levers** operate in opposite directions. One moves **Down** and the other **Up**.

Page Left Intentionally Blank

Regulatory Compliance

Use of Trademarks, Registered Trademarks, and other Protected Names and Symbols

This manual may make reference to trademarks, registered trademarks, and other protected names and/or symbols of third-party companies not related in any way to StarTech.com. Where they occur these references are for illustrative purposes only and do not represent an endorsement of a product or service by StarTech.com, or an endorsement of the product(s) to which this manual applies by the third-party company in question. StarTech.com hereby acknowledges that all trademarks, registered trademarks, service marks, and other protected names and/or symbols contained in this manual and related documents are the property of their respective holders.

PHILLIPS® is a registered trademark of Phillips Screw Company in the United States or other countries.

Warranty Information

This product is backed by a lifetime warranty.

For further information on product warranty terms and conditions, please refer to www.startech.com/warranty.

Limitation of Liability

In no event shall the liability of StarTech.com Ltd. and StarTech.com USA LLP (or their officers, directors, employees or agents) for any damages (whether direct or indirect, special, punitive, incidental, consequential, or otherwise), loss of profits, loss of business, or any pecuniary loss, arising out of or related to the use of the product exceed the actual price paid for the product. Some states do not allow the exclusion or limitation of incidental or consequential damages. If such laws apply, the limitations or exclusions contained in this statement may not apply to you.

Safety Measures

Assemble this product according to the instructions. Read the entire manual and ensure the instructions are fully understood before assembling and/or using this product.

Mesures de Sécurité

Assemblez ce produit conformément aux instructions. Lisez l'intégralité du manuel et assurez-vous que les instructions sont bien comprises avant d'assembler et/ou d'utiliser ce produit.

Veiligheidsmaatregelen

Monteer dit product volgens de instructies. Lees de gehele handleiding en zorg ervoor dat u de instructies volledig begrijpt voordat u dit product monteert en/of gebruikt.

Säkerhetsåtgärder

Montera produkten enligt instruktionerna. Läs hela manualen och se till att du har förstått instruktionerna innan du monterar och/eller använder produkten.

Sicherheitsmaßnahmen

Bauen Sie dieses Produkt gemäß der Anleitung zusammen. Lesen Sie das gesamte Handbuch und stellen Sie sicher, dass Sie die Anweisungen vollständig verstanden haben, bevor Sie dieses Produkt zusammenbauen und/oder verwenden.

安全対策

最初に取扱説明書を最後まで読み、本製品の組み立て方をすべて理解してから組み立て作業を始めて下さい。

Misure di Sicurezza

Leggere l'intero manuale e assicurarsi di aver compreso tutte le istruzioni prima di iniziare ad assemblare e a utilizzare questo prodotto.

Medidas de Seguridad

Monte este producto siguiendo las instrucciones. Lea todo el manual y asegúrese de que las instrucciones se entienden antes de proceder con el ensamblaje y el uso de este producto.



StarTech.com Ltd.
45 Artisans Crescent
London, Ontario
N5V 5E9
Canada

StarTech.com LLP
4490 South Hamilton
Road
Groveport, Ohio
43125
U.S.A.

StarTech.com Ltd.
Unit B, Pinnacle 15
Gowerton Road
Brackmills,
Northampton
NN4 7BW
United Kingdom

StarTech.com Ltd.
Siriusdreef 17-27
2132 WT Hoofddorp
The Netherlands

FR: startech.com/fr
DE: startech.com/de
ES: startech.com/es
NL: startech.com/nl
IT: startech.com/it
JP: startech.com/jp