



Specification Features

- FLEX SHOWER DOOR AND SLIMLINE SHOWER BASE
- SEMI-FRAMELESS DESIGN
- UP TO 1/2 IN. ADJUSTMENT PER SIDE FOR WIDTH/OUT-OF-PLUMB
- REVERSIBLE FOR RIGHT OR LEFT DOOR INSTALLATION
- FULL LENGTH MAGNETIC DOOR LATCH
- UP TO 4 IN. WIDTH ADJUSTMENT WITHIN RAILS
- 1/4 IN. (6 MM) THICK CERTIFIED TEMPERED GLASS
- LOW PROFILE THRESHOLD BASE DESIGN FOR EASY ENTRY
- SLIP-RESISTANT TEXTURED FLOOR PATTERN

Technical Information

- Model: Flex
- Door Type: Pivot Shower Door
- Kit Dimensions: 32"W x 32" D x 74 3/4"H
- Access Width: 18 7/8"
- Access Height Max: 70 11/16"
- Glass Thickness: 1/4" [6 mm]
- Glass Type: Clear
- Base Type: Single Threshold
- Drain Location: Center

Codes/Standards Applicable

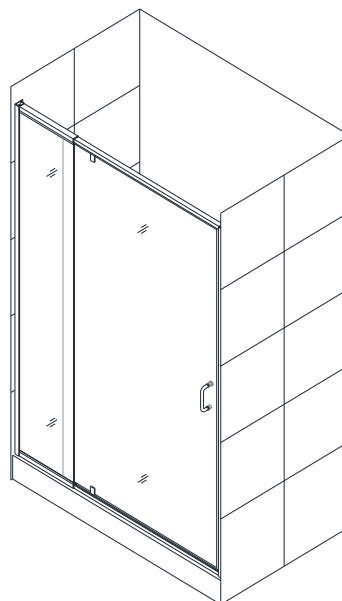
- ANSI Z97.1 (Tempered Glass)
- 16 CFR Part 1201
- cUPC

Hardware Finish Options:

- 01 - Chrome

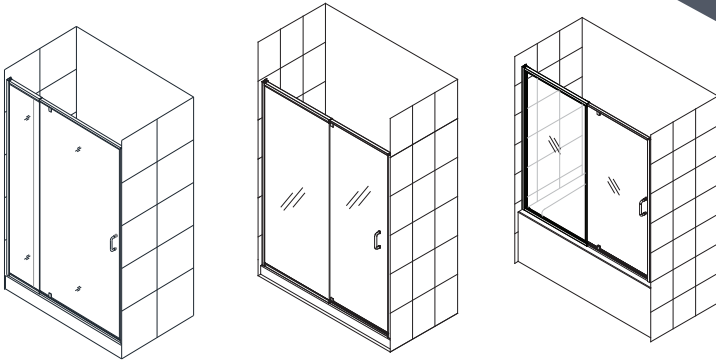
Model SKU#s:

- DL-6215C-01CL - White Base Kit
- DL-6215C-22-01 - Biscuit Base Kit



Available Product Configurations:

Important Notes:



Shower Door SKU#s:

SHDR-22287200-XX
SHDR-22327200-XX

Shower Door SKU#s:

SHDR-22427200-01
SHDR-22427200-04
SHDR-22487200-01
SHDR-22487200-04
SHDR22547200-01
SHDR22547200-04
SHDR-22607200-01
SHDR-22607200-04

Tub Door SKU#s:

SHDR22605800-01
SHDR22605800-04

If this unit is going to be installed in a new construction, please, install all of the required plumbing and drainage before installing the shower. Use a competent and licensed plumber for all plumbing installation period.

Minimum threshold depth of 1 1/2 in. is required for proper installation.

Up to 4 in. width adjustment within telescopic rails.

An additional 1/2 in. adjustment per side for width or out-of-plumb within wall profiles.

Professional installation recommended.

DO NOT attach the handle to the door glass until instructed in the installation manual. DO NOT use the handle to lift the glass during installation. This may result in damage to the glass and/or serious injury.

Important Disclaimers:

- Prior to installation, please ensure that the installation surface is finished, level and solid and will be able to support the total weight of the unit. Also, make sure that the walls are plumb. Irregular installation, surface level or out of square conditions can result in serious problems for your installation.
- Please read Installation Manual thoroughly prior to installing this product.
- Please note that you should consult your local building codes with questions on installation compliance standards. Building and plumbing codes may vary by location, and DreamLine® is not responsible for code compliance standards for your project and will not accept any returns.

The Flex shower door is NOT suitable for commercial installation.