

# TREX TRANSCEND® HORIZONTAL RAILING

## Installation Instructions



### NOTES:

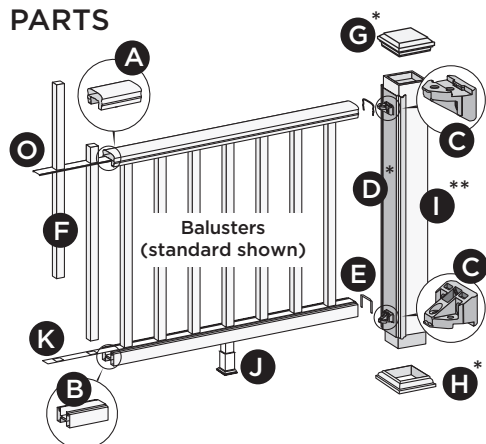
- » AS OF 2024 ALL TREX TRANSCEND RAILING LENGTHS ARE MANUFACTURED AT CLEAR SPAN DIMENSIONS. 72" FOR 6' CLEAR SPAN AND 96" FOR 8' CLEAR SPAN. ALL TREX SKUS THAT END IN "FS" ARE FULL SPAN RAILINGS (TOP/BOTTOM RAILS, INFILL KITS, COMPLETE KITS, BALUSTER SPACERS).
- » ENSURE TO VERIFY THE LENGTH OF YOUR RAILING BEFORE POST INSTALLATION!!
- » TREX TRANSCEND RAILINGS ARE DESIGNED TO BE INSTALLED OVER THE DECKING FRAME OR ON INSIDE OF RIM JOIST. NOTCHING OF PRESSURE-TREATED POSTS OR POSTS INSTALLED ON OUTSIDE OF RIM JOIST IS NOT ALLOWED.
- » Railings are designed to be slightly longer than required to allow for very slight play in post placement - some minimal trimming may be required. IT IS VERY IMPORTANT TO MEASURE FIRST.
- » USE STANDARD DRILL WHEN INSTALLING BRACKETS TO POSTS AND BRACKETS TO RAILS. DO NOT USE IMPACT DRIVER.
- » Transcend Railings can be curved, however if curving Black or Vintage Lantern colors, different baluster spacers that are curvable must be purchased separately (not included in kits). NOTE: this does not apply for White or Rope Swing Colors. Call 1-800-BUY-TREX for more information.

## Care and Cleaning

Maintaining the appearance of your Trex Transcend railing is important. Occasional washing is recommended. Over time your railing may show signs of weathering as a result of exposure to the elements. The frequency of cleaning will depend on the environment and exposure to various types of elements.

- » Clean railing with standard cleaning vinegar or mild soap and water.
- » For more detailed cleaning recommendations, please refer to the Trex Railing Care and Cleaning guide found on [www.trex.com](http://www.trex.com).

## PARTS



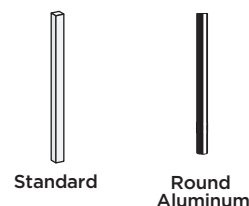
- A. Crown or Universal Rail
- B. Universal Rail
- C. Railing Support Bracket (RSB)
- D. TrexExpress™ Railing Assembly Template  
*Cardboard template is attached to 4x4 x 39" post sleeve box. All other templates are included inside post sleeves*
- E. Rail gaskets
- F. Balusters
- G. Post sleeve cap\*
- H. Post sleeve skirt\*
- I. Post sleeve - 4" x 4" (102 mm x 102 mm) or 6" x 6" (152 mm x 152 mm)\*\*
- J. Adjustable foot block (quantity of one is required for all railing span lengths)\*\*\*
- K. Baluster spacer

\*Item not included in the Transcend railing kits.

\*\*Both 4" x 4" (102 mm x 102 mm) and 6" x 6" (152 mm x 152 mm) post sleeves are designed to fit over 4x4 pressure-treated post.

\*\*\* For commercial applications, spans over 6' will require two foot blocks. One will be included in kit, a second one will need to be purchased separately.

## BALUSTER OPTIONS



NOTE: Pictorial representations shown may only show one style of railing, while others may also be used. Review detailed instructions to determine what railing styles and combinations can be used.

## DETERMINING BALUSTERS NEEDED

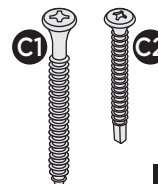
Baluster Type	Per 6' CLEAR SPAN Section	Per 8' CLEAR SPAN Section	Per 6' OC Section	Per 8' OC Section
Standard (Horizontal Application)	14	19	13	18
Round Aluminum (Horizontal Application)	16	21	15	20

### NOTES:

- » Basic installation for balusters is the same for all options. When using round aluminum balusters, use correct baluster spacers.
- » If installing 42" (1067 mm) railing, use longer post sleeves and measure accordingly to ensure a proper cut. DO NOT CUT TO ACTUAL 42" LENGTH WITHOUT CONFIRMING WHAT STYLE OF RAILING YOU ARE INSTALLING.
- » Ensure pressure-treated posts are installed at proper heights so when post sleeves are installed, both the PT post and post sleeve are flush at top.
- » If using post mounts, refer to detailed instructions provided with post mounts for attaching these prior to installation of any railing type.

### Screws Supplied with RSB

- C1. Wood screw for attachment of RSB to wood post/composite sleeve
- C2. Self-drilling screw for attachment of RSB to rail



Have Questions?  
**1-800-BUY-TREX**

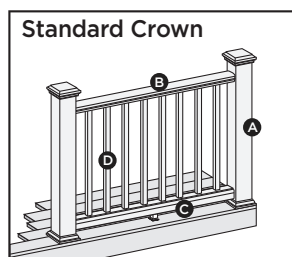
NOTE: Construction methods are always improving. Please ensure you have the most up-to-date installation instructions by visiting: [trex.com](http://trex.com)

# TREX TRANSCEND® HORIZONTAL RAILING

## Installation Instructions

### TREX TRANSCEND RAILING CONFIGURATIONS

Note: See specific installation instructions for attachment of Trex Post Mounts or Trex Joist Mount Posts prior to installing any railing.



Cutting post sleeves is **NOT** required.

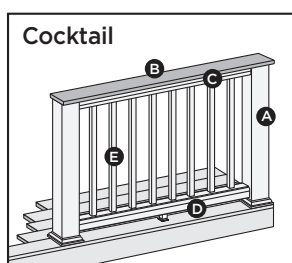
A. Pressure-Treated post/Trex 4x4 or 6x6 post sleeve, Trex post mount/Trex 4x4 or 6x6 post sleeve, or Joist Mount Post/4x4 or 6x6 Trex post sleeve (INSIDE MOUNT ONLY)

B. Crown rail

C. Universal bottom rail

D. Trex balusters

See page 3 for "How to Install Standard Railing".



Post sleeves **WILL NEED TO BE CUT**.

A. Pressure-treated post with Trex post sleeve

**NOTE:** » Only for use with 4" x 4" (102 mm x 102 mm) post sleeve.

» Trex post mounts cannot be used with Transcend cocktail design.

B. Deck board top rail (1 x 6 or 2 x 6). **NOTE:** Enhance cannot be used.

C. Universal top rail

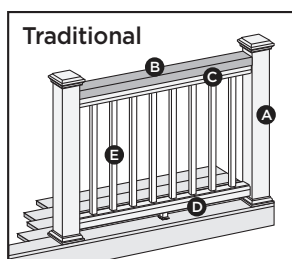
D. Universal bottom rail

E. Trex balusters

See page 5 for "How to Install Cocktail Railing".

**NOTE:** Additional pan head screws will need to be purchased - see detailed instructions.

**POST  
SLEEVES  
WILL  
NEED TO  
BE CUT**



Cutting post sleeves is **NOT** required.

A. Pressure-treated post/Trex 4x4 or 6x6 post sleeve, Trex post mount/Trex 4x4 or 6x6 post sleeve, or Joist mount post/Trex 4x4 or 6x6 post sleeve (INSIDE MOUNT ONLY)

B. 2 x 4 top rail

C. Universal top rail

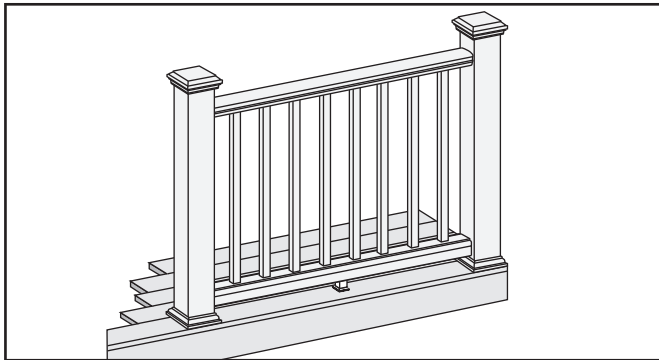
D. Universal bottom rail

E. Trex balusters

See page 6 for "How to Install Traditional Railing".

**NOTE:** Additional pan head screws will need to be purchased - see detailed instructions.

## HOW TO INSTALL STANDARD RAILING TREX TRANSCEND



Read all instructions BEFORE installation.

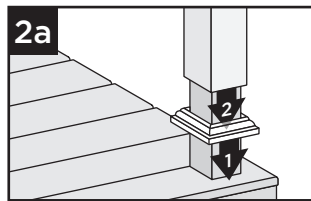
**Important:** Post sleeves are **NOT** to be cut for this design style.

### Installing Pressure-Treated Posts

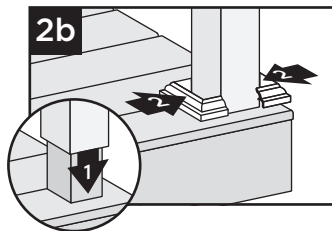
1. Please refer to local building code requirements prior to attaching pressure treated posts.
  - » Posts are to be installed 6' (1.83 m) or 8' (2.44 m) clear span to accommodate appropriate railing length.

### Installing Post Sleeve Skirts and Post Sleeves

2a. If using a 1-piece skirt, slide post sleeve skirt over post and down to rest on decking surface. Slide post sleeve over post and position inside post sleeve skirt.



2b. If using a two-piece skirt Slide post sleeve over post and down to rest on decking surface. Snap two piece skirt over post sleeve.

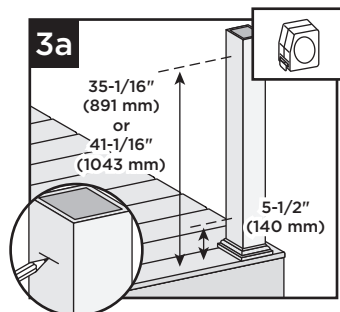


**NOTE:** Shims can be used to plumb post sleeves.

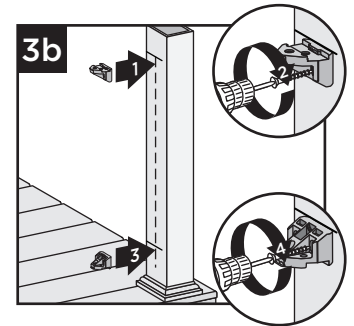
### Installing Railing Support Brackets (RSBs)

**Option 1:** Without TrexExpress railing template:

- 3a. For 36", mark 5-1/2" (140 mm) and 35-1/16" (891 mm) or 41-1/16" (1043 mm) from deck surface **OR** for 42" (1067 mm) height, mark 5-1/2" (140 mm) and 41-1/16" (1043 mm) from the deck surface.



- 3b. Place RSBs directly under marks, center on posts, and secure with 2" (51 mm) wood screws (provided). **Place top RSBs flat side up, bottom RSBs flat side down.**

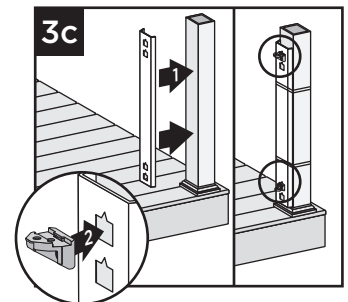


### 6 X 6 Post Sleeve Notes:

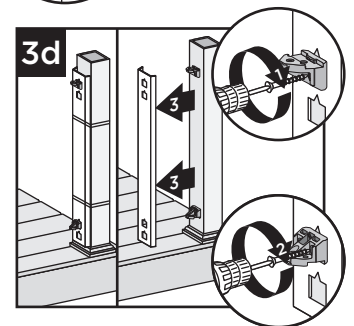
- » 6 x 6 post sleeve is designed to fit over 4 x 4 pressure-treated post.
- » When using a 6 x 6 post sleeve, secure RSB's to post with 2-1/2" (64mm) wood screws provided with the 6 x 6 post sleeve.
- » If using 6 x 6 post sleeve with surface mount or joist mount post, attach RSB's using #8-15 x 1-3/4" (4.4cm) 316 stainless steel self-tapping screws (not provided). Pre-drilling IS REQUIRED when attaching brackets to designated posts. Use a 9/64" (3.6 mm) drill bit.

**Option 2:** With TrexExpress railing template:

- 3c. Secure template on post with tape or rubber band, with bottom of template resting on post skirt. Place RSBs in template. Place top RSBs flat side **UP**, bottom RSBs flat side **DOWN**.



- 3d. Secure RSBs with 2" (51 mm) wood screws (provided in railing kit) and remove template.

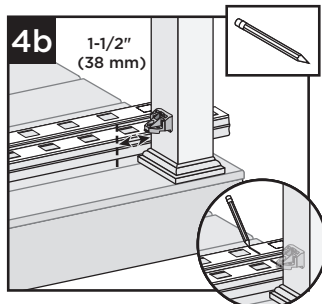
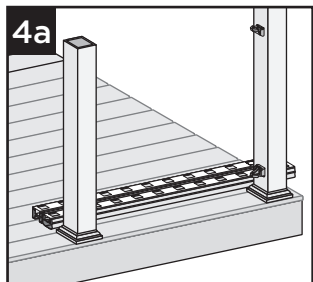


# TREX TRANSCEND® HORIZONTAL RAILING

## Installation Instructions

### HOW TO INSTALL STANDARD RAILING/CONTINUED TREX TRANSCEND

#### Cutting Railings and Baluster Spacers (when required)



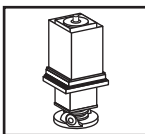
- 4a. Temporarily snap baluster spacers into both bottom and top rail. Position bottom and top rails between posts, ensuring baluster holes are lined up and spaced evenly.
- 4b. Also allow for a minimum of 1-1/2" (38mm) on each end of rail and baluster spacer for bracket placement AND baluster clearance. Mark rails baluster spacers at intersection of rail and post.
5. Keeping the baluster spacers in the rails, cut to specified length and then gently remove baluster spacers.

#### NOTES:

- » If using optional rail gaskets, subtract 1/16" (1.6 mm) from each end.
- » Cut slow to ensure baluster spacer does not break.
- » In some cases, the gasket can be attached before tightening railing to RSB.
- » If gaskets are tight, use a small flat head screwdriver to compress the tabs of the gasket if they are stuck outside the rail.

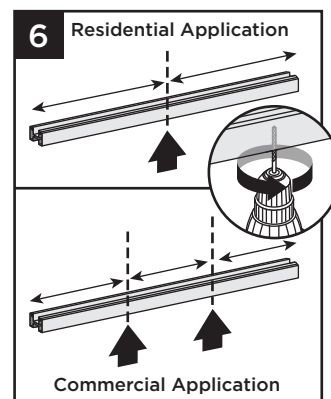
#### IMPORTANT NOTE REGARDING FOOT BLOCK INSTALLATION:

- » One foot block is **REQUIRED** for all railing spans. For commercial applications, spans over 6' will require two foot blocks.
- » Refer to detailed instructions (Trex Transcend® rail instructions) included with foot block prior to installation of railing section as these include other required steps for proper installation.



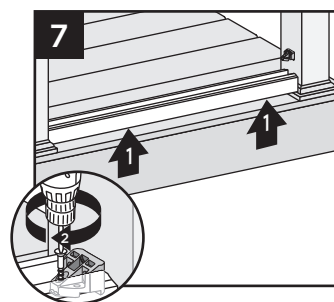
#### Attaching Foot Block to Bottom Rail

6. Invert the bottom rail. Center and drill a hole using a 3/16" drill bit. This will be location for foot block attachment to be installed last. For spans over 6' in commercial applications drill two holes spaced evenly apart for two foot blocks.



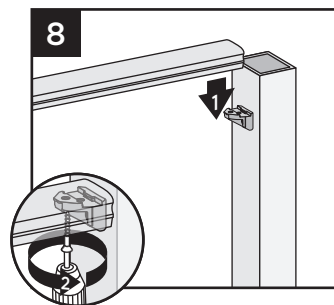
#### Attaching Bottom Rail (Universal Rail)

7. Lift bottom rail so RSBs are in the channel and attach with three self-drilling screws provided (use three outer holes; do not use hole in RSB that is closest to post).



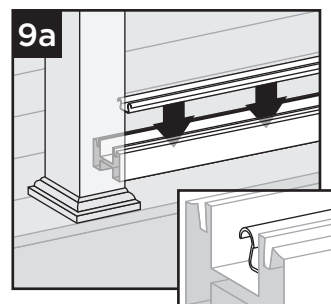
#### Attaching Top Rail - (Crown Rail)

8. Place crown rail on RSBs. Attach top rail to RSB with three self-drilling screws provided (use three outer holes; do not use hole in RSB that is closest to post).



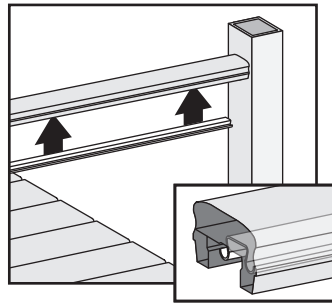
#### Installing Aluminum Baluster Adaptor Strips (for Aluminum Balusters Only)

- 9a. After bottom rail is fully installed, place aluminum baluster adaptor strip into channel of bottom rail, ensuring that it's fully seated into the channel. When rail lengths are non-standard, the baluster adaptor strip will need to be cut 2-1/2" (64 mm) shorter than the rail to allow clearance for the RSBs on each end.



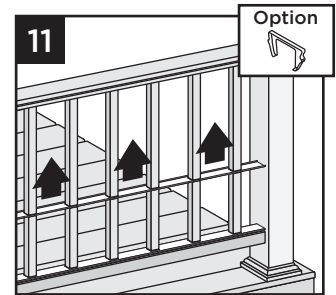
## HOW TO INSTALL STANDARD RAILING/CONTINUED TREX TRANSCEND

After top rail is fully installed, place aluminum baluster adaptor strip into channel of top rail, ensuring that it's fully seated into the channel. When rail lengths are non-standard, the adaptor strip will need to be cut 2 1/2" (64mm) shorter than the rail to allow clearance for the RBS's on each end.



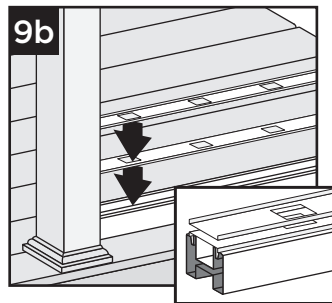
- Slide baluster spacer up and snap into top rail. Place optional top rail gaskets on each end of rail.

**TIP:** Use soapy water on balusters when sliding baluster spacer up to avoid potential scratching of balusters.



### Placing Baluster Spacers

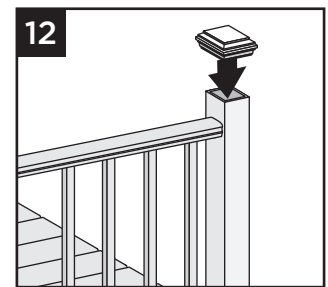
- Snap baluster spacer into bottom rail. Place inverted baluster spacer on top of first baluster spacer.



### Attaching Post Caps and Installing Foot Blocks

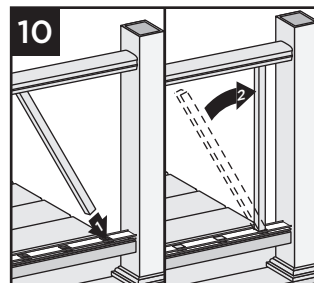
- Secure post caps with silicone or PVC adhesive (apply adhesive on the inside self-centering/corner tabs). Attach foot block per foot block instructions.

**NOTE:** Clean up any excess adhesive before it dries.

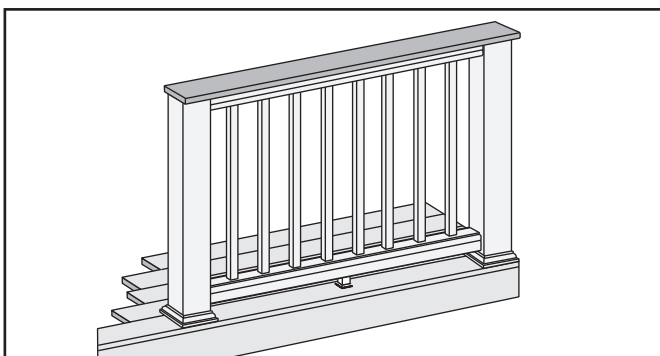


### Attaching Balusters

- Place baluster into both baluster spacers, ensuring that balusters are fully seated into the channel. Working at a slight angle, maneuver balusters into top rail.



## HOW TO INSTALL COCKTAIL RAILING TREX TRANSCEND



### IMPORTANT NOTES:

- » **ONLY** use with 4" x 4" (102 mm x 102 mm) post and post sleeve. Cutting post and post sleeve **ONLY** applies to the Cocktail style railing.
- » Enhance cannot be used as top board for cocktail rail.

- Installing Pressure-Treated Posts**  
See instructions on page 3.

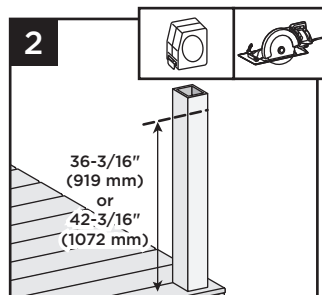
# TREX TRANSCEND® HORIZONTAL RAILING

## Installation Instructions

### HOW TO INSTALL COCKTAIL RAILING TREX TRANSCEND

#### Cutting Post and Post Sleeve

2. Mark and cut post and post sleeve measuring from deck surface:
  - » 36-3/16" (919 mm) for 36" (914 mm) height.
  - » 42-3/16" (1072 mm) for 42" (1067 mm) height.



#### 3. Installing Post Sleeve Skirts and Post Sleeves

See instructions on page 3.

#### 4. Installing Railing Support Brackets (RSBs)

See instructions on page 3.

#### 5. Cutting Railings and Baluster Spacers

See instructions on page 4.

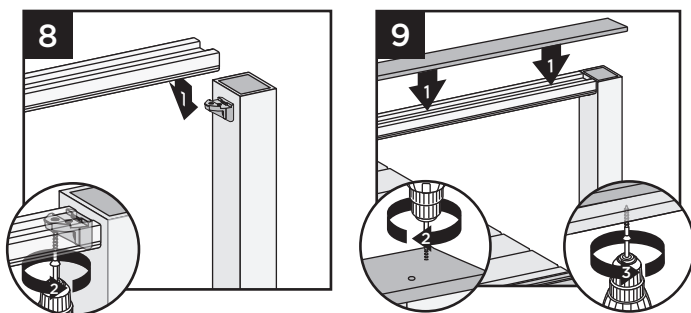
#### 6. Attaching Foot Block to Bottom Rail

See instructions on page 4.

#### 7. Attaching Bottom Rail (Universal Rail)

See instructions on page 4.

#### Attaching Inverted Universal Rail as Top Rail



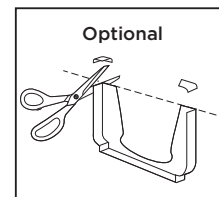
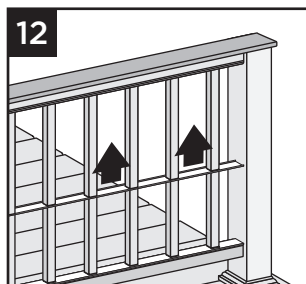
8. Place inverted universal rail onto RSBs. Attach universal rail to RSBs with three self-drilling screws provided (use three outer holes; do not use hole in RSB that is closest to post).
9. Place deck boards over universal rails (**DO NOT use Enhance deck boards for top rail**). Attach boards on each post with Trex-recommended composite screws (quantity of 2 per post as well as each board end). Secure boards to universal rails from underside of railing into bottom of decking board, with 1-5/8" (41 mm) pan-head screws (*not provided*) approximately every 16" (406 mm) on center.

#### 10. Placing Baluster Spacers

See instructions on page 4.

#### 11. Attaching Balusters

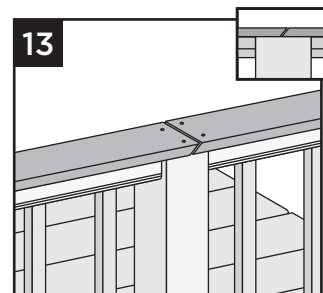
See instructions on page 5.



12. Slide baluster spacers up and snap into universal rails.

**NOTE:** If necessary, cut tips off rail gaskets prior to installation.

13. Use scarf cut for posts where two deck boards meet.



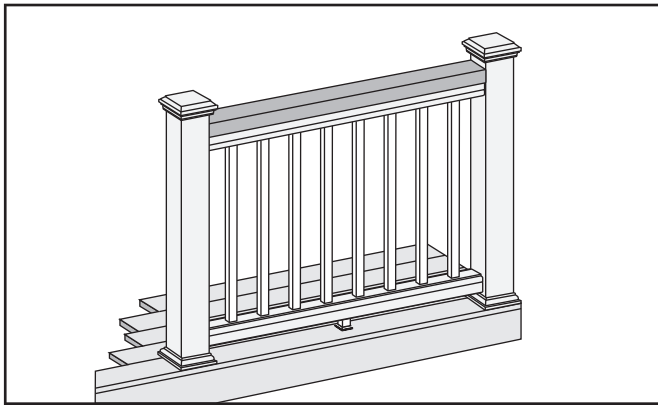
#### 14. Installing Foot Block

Attach foot block per detailed instructions.

#### NOTES:

- » Leave 1/8" (3 mm) gap between deck boards.
- » Deck boards can overhang end of last post a maximum 1/2" (13 mm).

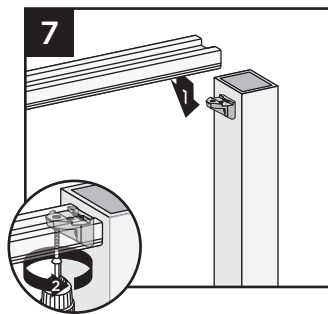
## HOW TO INSTALL TRADITIONAL RAILING TREX TRANSCEND



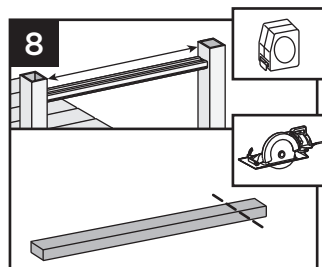
1. **Installing Pressure-Treated Posts**  
*See instructions on page 3.*
2. **Installing Post Sleeve Skirts and Post Sleeves**  
*See instructions on page 3.*
3. **Installing Railing Support Brackets (RSBs)**  
*See instructions on page 3.*
4. **Cutting Railings and Baluster Spacers**  
*See instructions on page 4.*
5. **Attaching Foot Block to Bottom Rail**  
*See instructions on page 4.*
6. **Attaching Bottom Rail (Universal Rail)**  
*See instructions on page 4.*

### Attaching Inverted Universal Rail as Top Rail

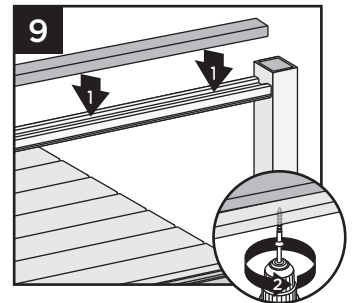
7. Place inverted universal rail onto RSBs. Attach universal rail with three self-drilling screws provided (use three outer holes; do not use hole in RSB that is closest to post).



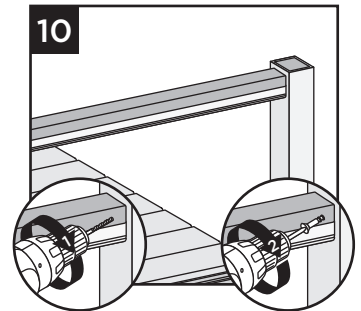
8. Measure between posts and cut 2 x 4 to length.



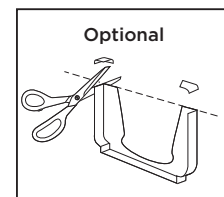
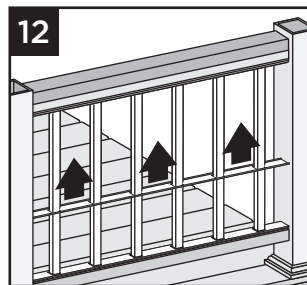
9. Place 2 x 4 on universal rail. Attach board to rail with 1-5/8" (41 mm) pan-head screws (not provided) approximately every 16" (406 mm) on center.



10. Pre-drill a pilot hole and toenail 2-1/2" (64 mm) composite decking screw (not provided) at each end of 2 x 4 into post on back side of rail (side not facing decking).



11. **Placing Baluster Spacers**  
*See instructions on page 5.*
12. **Attaching Balusters**  
*See instructions on page 5.*



13. Slide baluster spacer up and snap into universal rail.

**NOTE:** If necessary, cut tips off rail gaskets prior to installation.

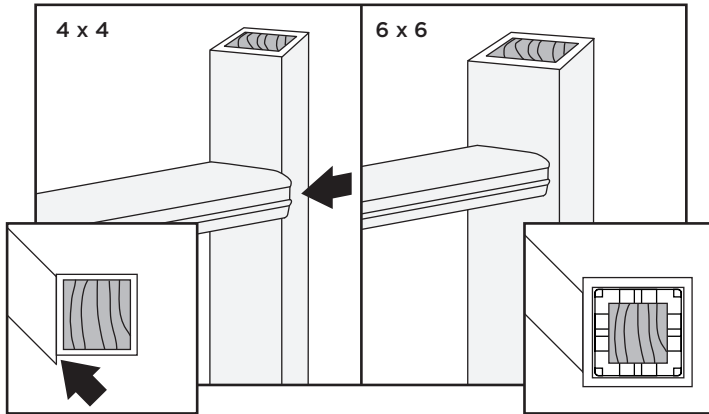
14. **Attaching Post Caps and Installing Foot Block**  
*Attach foot block per detailed instructions.*

# TREX TRANSCEND® HORIZONTAL RAILING

## Installation Instructions

### HOW TO INSTALL ON-AN-ANGLE RAILING TREX TRANSCEND (CROWN AND UNIVERSAL RAILING)

**NOTE:** Trex railing brackets are designed to be installed up to a 45° angle.



- » **Small angles** (1° - 30°). Both 4" x 4" (102 mm x 102 mm) or 6" x 6" (152 mm x 152 mm) post sleeves work well.
- » **Large angles** (31° - 45°). **Use only 6" x 6"** (152 mm x 152 mm) post sleeves when installing on flat side.
- » **45° angles** using 4" x 4" (102 mm x 102 mm) post sleeves **must** use Transcend Bird's Mouth brackets.
- » Using 6" x 6" (152 mm x 152 mm) post sleeves at 45° angles. Brackets are installed off-center and use 45° Transcend gaskets.
- » Railing gaskets are designed to fit at 0°, 22.5°, and 45° angles. Gaskets are labeled with appropriate angle dimension.

# HOW TO INSTALL CROWN AND UNIVERSAL BIRDSMOUTH HORIZONTAL RAILING

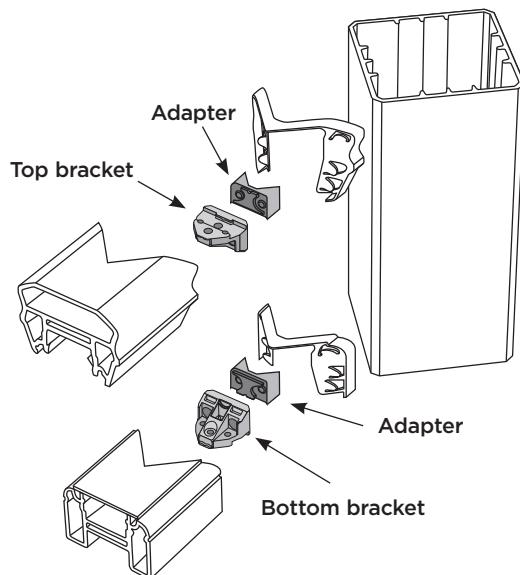
## TREX TRANSCEND®

### NOTES:

- » **IMPORTANT - 6' and 8' rails cannot be installed at full spans when using Birdsmouth applications. Rail posts must be spanned less than 6' or 8' OC.**
- » Use with 4" x 4" (102 mm x 102 mm) post sleeve **ONLY**.
- » Gaskets are only designed for use with Transcend crown and universal railing.

Read all instructions **BEFORE** installation.

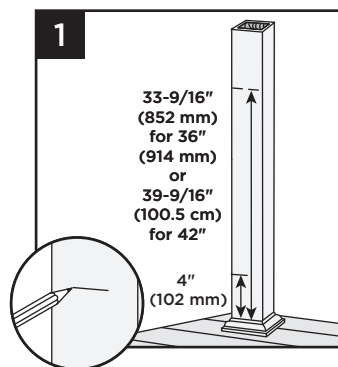
### PARTS



### Mark Posts

1. Measure and mark 4" (102 mm) and 33-9/16" (852 mm) up from top of post skirt. For a 42" (106.7 cm) rail, top mark is 39-9/16" (100.5 cm) on post.

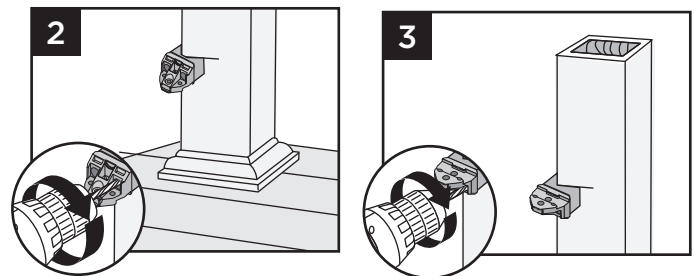
**NOTE:** Without skirt, add 1-1/2" (38 mm) to measurements.



### Attaching Adapters

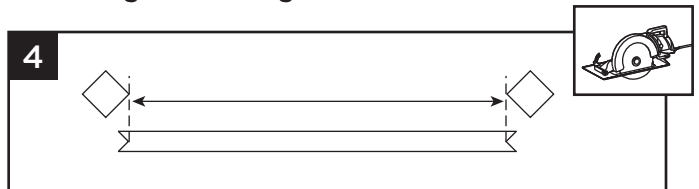
Snap adapters into RSBs.

### Pre-drill Bottom and Top RSBs



2. Position RSBs with adapter (flat side DOWN) for lower rail, mark and pre-drill screw holes with 1/8" (3 mm) drill bit on post.
3. Position RSBs with adapter (flat side UP) for top rail, mark and pre-drill screw holes with 1/8" (3 mm) drill bit on post.

### Measuring and Cutting Rails



4. Measure from corner-to-corner between posts. Mark 45° cuts on rails with template on assembly tool. Center of "V's" is the distance from corner-to-corner for posts.

**NOTE:** Subtract 1/16" (1.6 mm) from each end to accommodate rail gaskets.

# TREX TRANSCEND® HORIZONTAL RAILING

## Installation Instructions

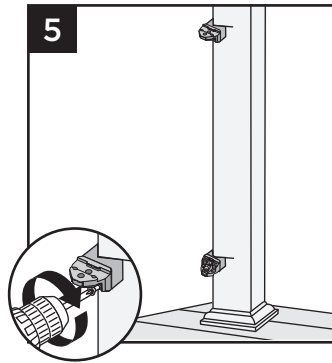
### HOW TO INSTALL CROWN AND UNIVERSAL BIRDSMOUTH HORIZONTAL RAILING/ CONTINUED TREX TRANSCEND®

#### Attaching Top and Bottom RSBs

5. Attach RSBs with adapters to posts with wood screws (provided).

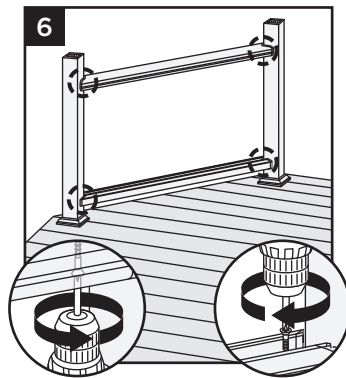
#### NOTES:

- » Drill at slight inward angle to drill holes on marks.
- » Lay cut lower rail into position on decking surface between the posts before attaching the lower RSB. There may be some difficulty attaching the lower rail if you fail to do this.



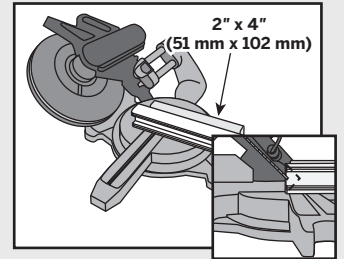
#### Installing Railings to RSB's

6. Attach with self-tapping screws (provided).



#### Using Miter Box Saw to Cut Rails

1. Place 2 x 4 on edge behind the rail to allow for complete cut.
2. Angle blade to 45°.
3. Set stop on saw so blade travels half the depth of rails. Several test cuts can be made on scrap material to accurately set the stop.
4. "V" cut both sides of the rail.



**NOTE:** Transcend's crown and universal rails will require different stop settings.





# TREX TRANSCEND® STAIR RAILING

## Installation Instructions



### IMPORTANT NOTES:

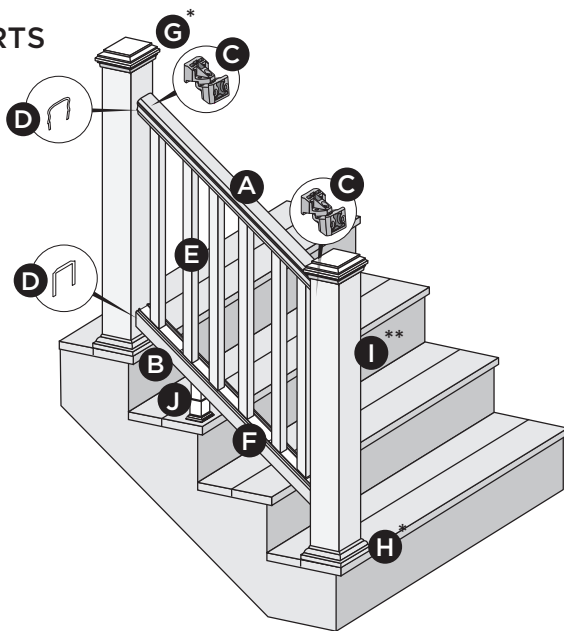
- » TREX TRANSCEND RAILINGS ARE DESIGNED TO BE INSTALLED OVER THE DECKING FRAME OR ON INSIDE OF RIM JOIST. NOTCHING OF PRESSURE-TREATED POSTS OR POSTS INSTALLED ON OUTSIDE OF RIM JOIST IS NOT ALLOWED.
- » POST TO POST SPAN WILL BE LESS THAN 6' OR 8'. PRIOR TO INSTALLING POSTS CALCULATE POST TO POST SPAN USING A MAXIMUM RAIL LENGTH REQUIRED AND THE ANGLE (32°-37°) AT WHICH THE RAILS WILL BE INSTALLED. DO NOT INSTALL STAIR POSTS AT 6' OR 8' SPAN, AS STAIR RAILINGS WILL THEN BE TOO SHORT.
- » USE STANDARD DRILL WHEN INSTALLING BRACKETS TO POSTS AND BRACKETS TO RAILS. DO NOT USE IMPACT DRIVER.

### Care and Cleaning

Maintaining the appearance of your Trex Transcend railing is important. The occasional wash is recommended as over time your railing may show signs of weathering as a result of exposure to the elements. The frequency of cleaning will depend on the environment and exposure to various types of elements.

- » Clean railing using a standard cleaning vinegar or mild soap and water.
- » For more detailed cleaning recommendations please refer to the Trex Railing Care and Cleaning guide found on [www.trex.com](http://www.trex.com).

### PARTS



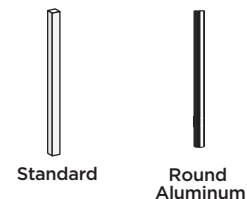
- A. Crown or Universal rail
- B. Universal rail
- C. Railing Support Brackets (RSB)
- D. Stair rail gaskets
- E. Balusters
- F. Stair baluster spacer
- G. Post sleeve cap\*
- H. Post sleeve skirt\*
- I. Post sleeve - 4" x 4" (102 mm x 102 mm) or 6" x 6" (152 mm x 152 mm)\*\*
- J. Adjustable foot block (quantity of one is required for all railing span lengths)\*\*\*

\* Item not included in the Transcend railing kits.

\*\* Both 4" x 4" (102 mm x 102 mm) and 6" x 6" (152 mm x 152 mm) post sleeves are designed to fit over 4x4 pressure-treated post.

\*\*\*For commercial applications, spans over 6' will require two foot blocks. One will be included in kit, a second one will need to be purchased separately.

### BALUSTER OPTIONS



**NOTE:** Pictorial representations shown may only show one style of railing, while others may also be used. Review detailed instructions to determine what railing styles and combinations can be used.

### DETERMINING BALUSTERS NEEDED (see note below)

Baluster Type	For 6' Stair Rail	For 8' Stair Rail
Standard (Stair Application)	11	15
Round Aluminum (Stair Application)	13	17

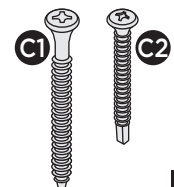
AS OF 2024 TREX TRANSCEND STAIR RAILINGS LENGTHS ARE MANUFACTURED AT CLEAR SPAN DIMENSIONS AND THE TABLE ABOVE REFLECTS THE CORRECT AMOUNT OF BALUSTERS FOR THESE APPLICATIONS. ENSURE TO FOLLOW PROPER POST PLACEMENT AS LISTED ABOVE FOR STAIR APPLICATIONS.

#### NOTES:

- » Basic installation for balusters is the same for all options. When using round aluminum balusters, use correct baluster spacers.
- » If installing 42" (1067 mm) railing, use longer post sleeves and measure accordingly to ensure a proper cut. DO NOT CUT TO ACTUAL 42" LENGTH WITHOUT CONFIRMING WHAT STYLE OF RAILING YOU ARE INSTALLING.
- » Ensure pressure-treated posts are installed at proper heights so when post sleeves are installed, both the PT post and post sleeve are flush at top.
- » If using post mounts, refer to detailed instructions provided with post mounts for attaching these prior to installation of any railing type.

#### Screws Supplied with RSB

- C1. Wood screw for attachment of RSB to wood post/composite sleeve
- C2. Self-drilling screw for attachment of RSB to rail

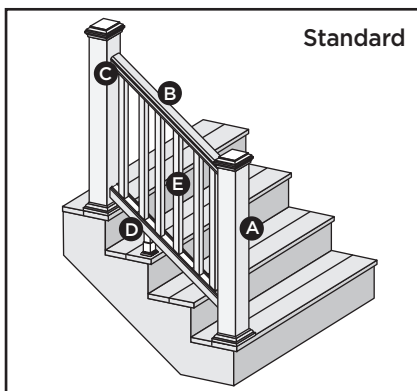


# TREX TRANSCEND® STAIR RAILING

## Installation Instructions

### TREX TRANSCEND STAIR RAILING CONFIGURATIONS

Note: See specific installation instructions for attachment of Trex Post Mounts or Trex Joist Mount Posts prior to installing any railing.



Cutting post sleeves is **NOT** required.

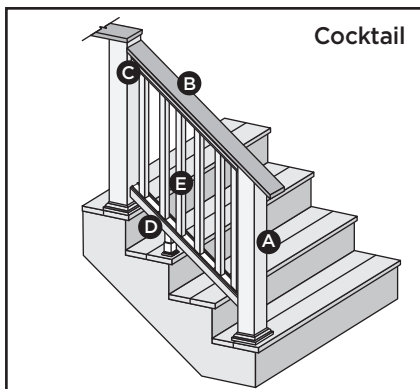
A. Pressure-Treated post/Trex 4x4 or 6x6 post sleeve, Trex post mount/Trex 4x4 or 6x6 post sleeve, or Joist Mount Post/Trex 4x4 or 6x6 post sleeve (INSIDE MOUNT ONLY)

B. Crown rail

C. Universal bottom rail

D. Trex balusters (must also use appropriate stair baluster spacer)

See page 3 for "How to Install Standard Stair Railing".



Post sleeves **WILL NEED TO BE CUT**.

A. Pressure-treated post with Trex post sleeve

**NOTE:** » Only for use with 4" x 4" (102 mm x 102 mm) post sleeve.

» Trex post mounts cannot be used with Transcend cocktail design.

B. Deck board top rail (1 x 6 or 2 x 6). **NOTE:** Enhance cannot be used.

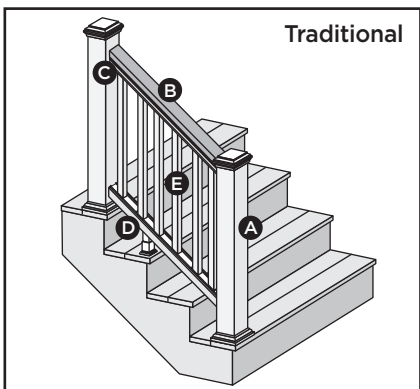
C. Universal top rail

D. Universal bottom rail

E. Trex balusters (must also use appropriate stair baluster spacer)

See page 7 for "How to Install Cocktail Stair Railing".

**POST  
SLEEVES  
WILL  
NEED TO  
BE CUT**



Cutting post sleeves is **NOT** required. Ensure both top and bottom post/post sleeves are tall enough to accommodate top rail and 2 x 4.

A. Pressure-Treated post/Trex 4x4 or 6x6 post sleeve, Trex post mount/Trex 4x4 or 6x6 post sleeve, or Joist mount post/Trex 4x4 or 6x6 post sleeve (INSIDE MOUNT ONLY)

B. 2 x 4 top rail

C. Universal top rail

D. Universal bottom rail

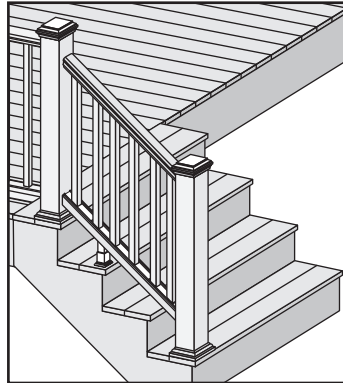
E. Trex balusters (must also use appropriate stair baluster spacer)

See page 8 for "How to Install Traditional Stair Railing".

## HOW TO INSTALL STANDARD STAIR RAILING TREX TRANSCEND

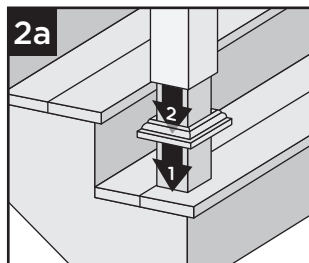
### 1. Installing Pressure-Treated Posts

- » PLEASE REFER TO LOCAL BUILDING CODE REQUIREMENTS PRIOR TO ATTACHING PRESSURE TREATED POSTS.
- » PRESSURE TREATED POSTS MUST BE INSTALLED ON INSIDE OF STAIR STRINGER AND AT NOSE OF STAIR TREAD.
- » POST TO POST SPAN WILL BE LESS THAN 6' OR 8'. PRIOR TO INSTALLING POSTS CALCULATE POST TO POST SPAN USING A MAXIMUM RAIL LENGTH REQUIRED AND THE ANGLE (32°-37°) AT WHICH THE RAILS WILL BE INSTALLED. DO NOT INSTALL STAIR POSTS AT 6' OR 8' SPAN, AS STAIR RAILINGS WILL THEN BE TOO SHORT.
- » In most cases, a post and post sleeve longer than 39" (991 mm) will be needed on the lower section of stair rail to accommodate stair angle.

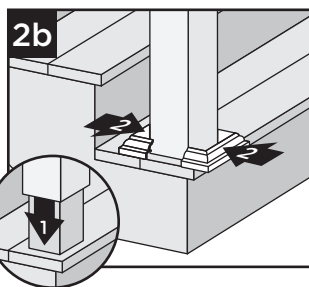


### Installing Post Sleeve Skirts and Post Sleeves

- 2a. If using a 1-piece skirt, slide post sleeve skirt over post and down to rest on decking surface. Slide post sleeve over post and position inside post sleeve skirt.

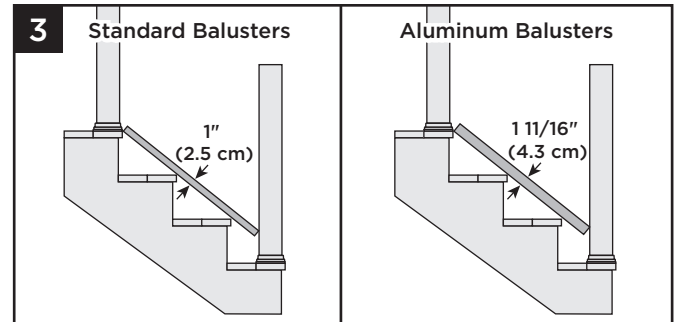


- 2b. If using a two-piece skirt Slide post sleeve over post and down to rest on decking surface. Snap two piece skirt over post sleeve.

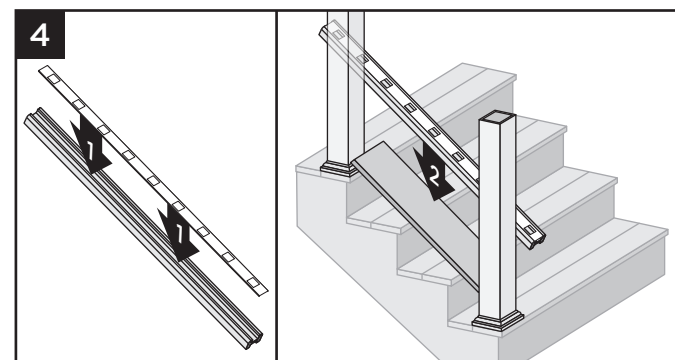


**NOTE:** Shims can be used to plumb post sleeves.

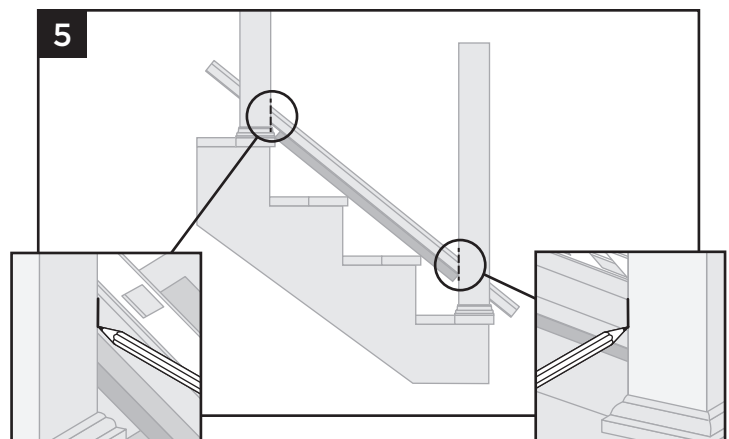
### Measuring and Cutting Bottom Stair Rail



3. If using standard balusters, place a 1" deckboard on the nose of the stair tread. If using aluminum balusters, use a scrap piece of wood measuring at least 1-11/16" thick, and place on the nose of the stair tread.



4. Snap baluster spacer into bottom stair rail and lay bottom stair rail on top of the deckboard.



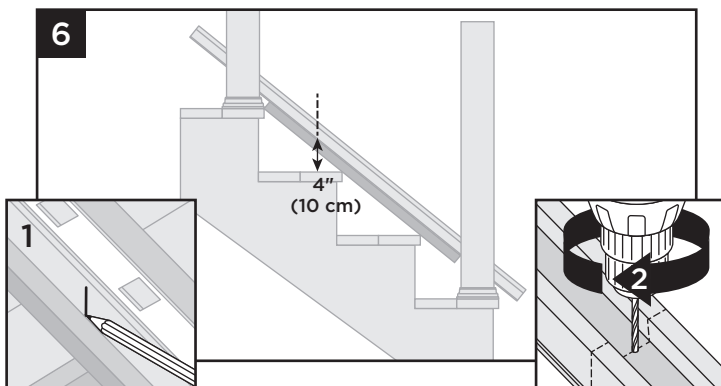
5. Use the lower and upper stair post to set the length of the bottom stair rail. Ensure that baluster spacer holes are spaced evenly between posts. Also allow for a minimum of 1-1/2" (292 mm) at each end of the stair rail for bracket placement and baluster clearance. Mark rail at post intersections.

# TREX TRANSCEND® STAIR RAILING

## Installation Instructions

### HOW TO INSTALL STANDARD STAIR RAILING/CONTINUED TREX TRANSCEND

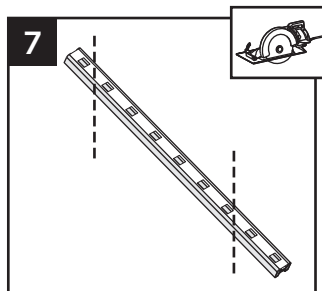
#### Marking Location for Foot Block to Bottom Rail



6. Mark approximate location for foot block, allowing a measurement of 4" maximum. Invert the bottom rail, and at marked location drill a hole using a 3/16" drill bit in the center of the channel. Foot block is to be installed at last step. For spans over 6' in commercial applications, mark and drill two locations spaced evenly apart for two foot blocks.

#### Cutting Bottom Stair Rail and Baluster Spacer

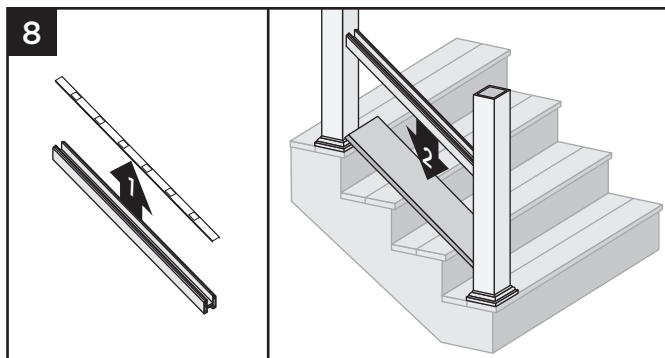
7. Keeping baluster spacer in rail, cut along marks.



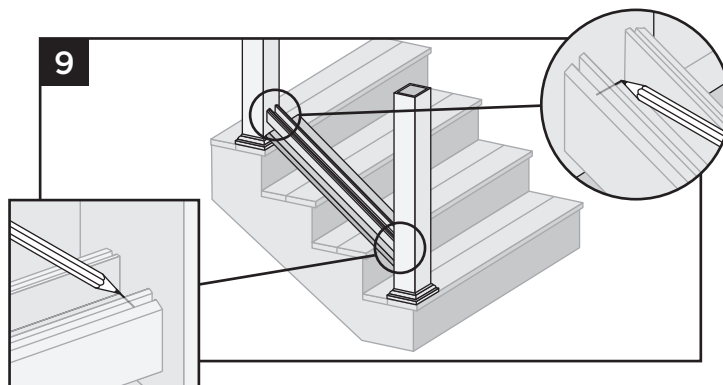
#### NOTES:

- » If using rail gaskets, subtract 1/16" from each end and cut.
- » **KEEP BALUSTER SPACER IN RAIL WHEN CUTTING. CUT VERY CAREFULLY TO NOT BREAK BALUSTER SPACER.**

#### Attaching RSB's for Bottom Stair Rail

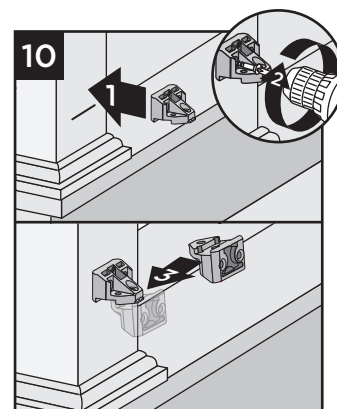


8. Remove baluster spacer from bottom rail and place rail in between posts, keeping rail on deckboard.

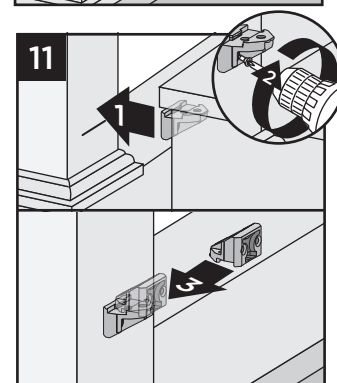


9. Mark both posts on inside channel of the bottom stair rail. Remove bottom stair rail.

10. For **UPPER** post - install **RSB FLAT SIDE DOWN, ABOVE MARKED LINE**, using two wood screws provided. Take second RSB, turn upside down and interlock into first RSB.



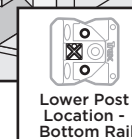
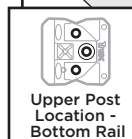
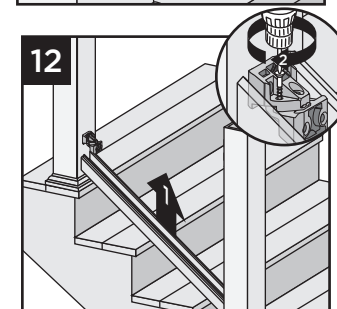
11. For **LOWER** post - install **RSB FLAT SIDE UP, ABOVE MARKED LINE**, using two wood screws provided. Take second RSB, turn upside down and interlock into first RSB.



#### Attaching Bottom (Universal) Stair Rail

12. Lift bottom stair rail so RSB's are in the channel and attach with 3 self-drilling screws provided. Use the three outer holes in RSB to attach screws.

**Tip:** Deckboard can be placed underneath bottom stair rail to help hold rail firmly in place while attaching.

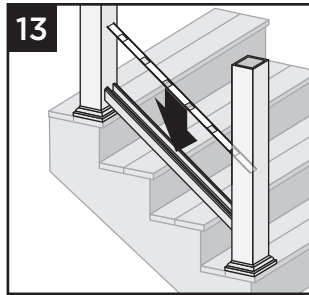


## HOW TO INSTALL STANDARD STAIR RAILING/ TREX TRANSCEND

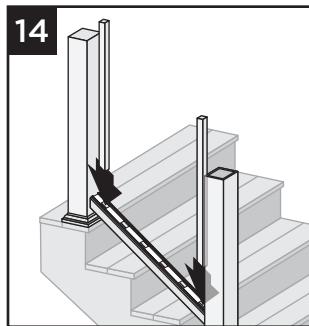
### IMPORTANT NOTE IF INSTALLING ALUMINUM

**BALUSTERS:** If necessary cut aluminum baluster adaptor strip at appropriate length to ensure this can be fully seated into the bottom stair rail without interfering with the RSBs.

13. Snap bottom baluster spacer into bottom stair rail.

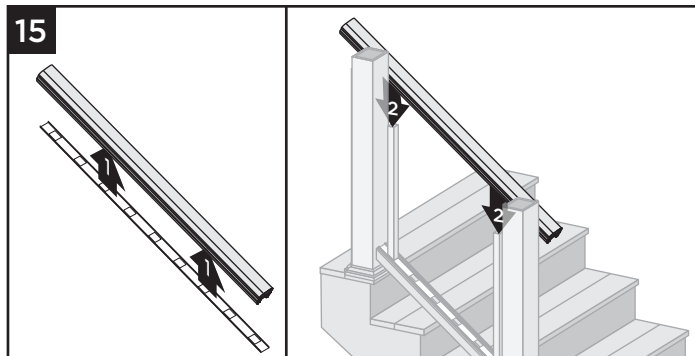


14. Place two balusters into bottom stair rail at each end closest to the post, and ensure these balusters are parallel to posts.

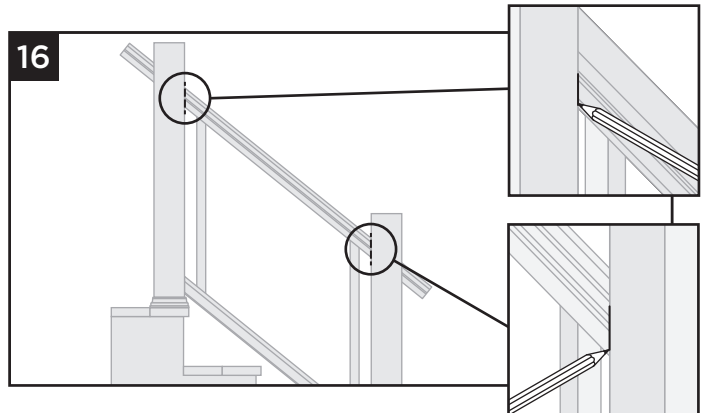


**Tip:** Use clamps to help hold balusters in place.

### Measuring and Cutting Top Stair Rail and Baluster Spacer

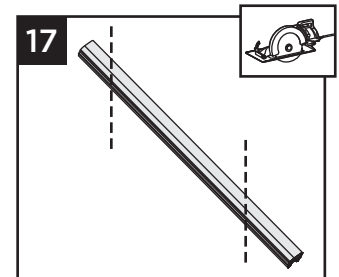


15. Snap baluster spacer into top stair rail. Position top stair rail onto balusters, ensuring balusters are fully seated in rail (position to side of post), and **ENSURE** that balusters are spaced evenly **AND** parallel with post. Also allow for a minimum of 1-1/2" (292 mm) at each end of the stair rail for bracket placement and baluster clearance.



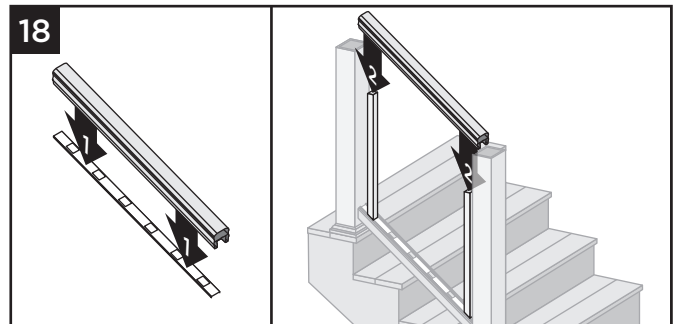
16. Mark rail at post intersection.

17. Remove top rail, keeping baluster spacer in rail, and cut along marks.

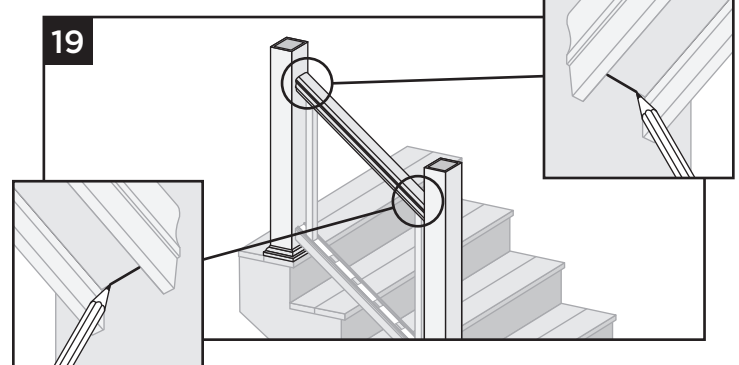


### NOTES:

- » If using rail gaskets, subtract 1/16" from each end and cut.
- » **KEEP BALUSTER SPACER IN RAIL WHEN CUTTING. CUT VERY CAREFULLY IN ORDER TO NOT BREAK BALUSTER SPACER.**



18. Remove baluster spacer from top stair rail and place rail in between posts on top of balusters, **ENSURING** that balusters remain parallel to post.



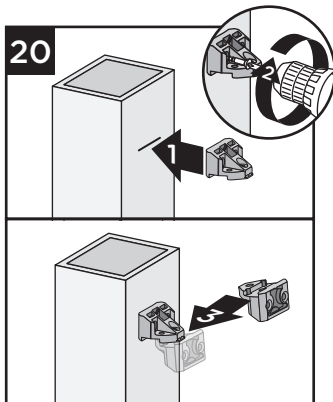
19. Mark both posts on inside channel of the top stair rail. Remove top stair rail.

# TREX TRANSCEND® STAIR RAILING

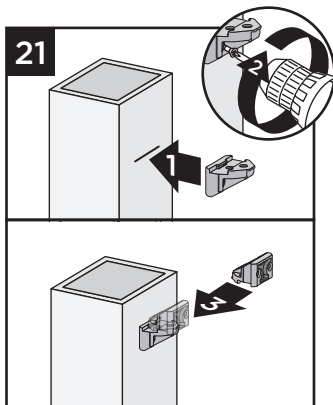
## Installation Instructions

### HOW TO INSTALL STANDARD STAIR RAILING/CONTINUED TREX TRANSCEND

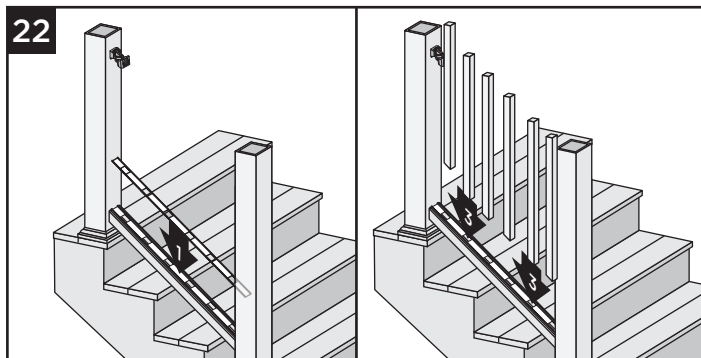
20. For **UPPER** post - install **RSB FLAT SIDE DOWN BELOW MARKED LINE**, using two wood screws provided. Take second RSB, turn upside down and interlock into first RSB.



21. For **LOWER** post - install **RSB FLAT SIDE UP BELOW MARKED LINE**, using two wood screws provided. Take second RSB, turn upside down and interlock into first RSB.



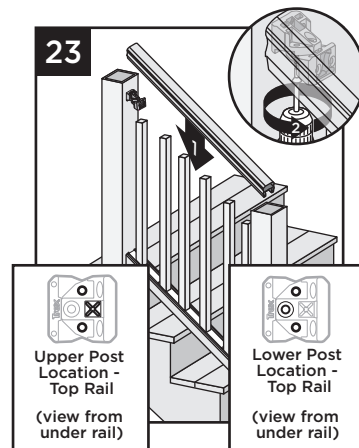
#### Installing Inverted Top Baluster Spacer and Placing Balusters



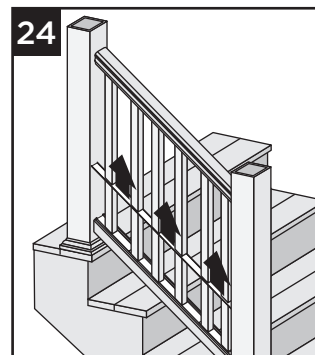
22. Place inverted top baluster spacer on bottom rail rail/baluster spacer, ensuring that baluster holes line up. Install balusters into bottom stair rail.

#### Attaching Top Stair Rail

23. Place top stair rail on RSB's (ensuring balusters are also in channel of rail). Attach with 3 self-drilling screws provided. Use the three outer holes in RSB to attach screws.

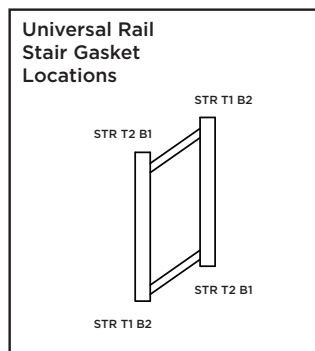


24. Slide baluster spacer up and snap into top rail.



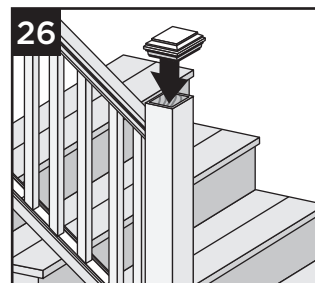
#### Installing Optional Gaskets

25. Stair rail gaskets are designed to fit at slopes of 32° to 37°. Gaskets are labeled in order to ensure correct location.



#### Attaching Post Caps and Installing Foot Block

26. Secure post caps with silicone or PVC adhesive (apply adhesive on the inside self-centering corner tabs). Attach foot block per foot block instructions.

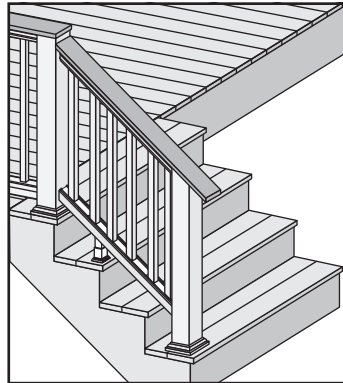


**NOTE:** Clean-up any excess adhesive before it dries.

## HOW TO INSTALL COCKTAIL STAIR RAILING TREX TRANSCEND

### IMPORTANT NOTES:

- » Only for use with pressure-treated 4 x 4 post (3.5" nominal square) and 4" x 4" (102 mm x 102 mm) post sleeve. Trex post mounts or joist mount posts cannot be used with Trex Transcend stair railing. Cutting post and post sleeve only applies to Cocktail style railing.
- » **DO NOT CUT POST/POST SLEEVES UNTIL TOP RAIL IS FULLY INSTALLED. THE DECK BOARD USED IN TRANSCEND STAIR COCKTAIL RAILING WILL NEED TO TERMINATE AT THE TOP OF THE POST AS SHOWN ABOVE. THE DECK BOARD WILL HAVE TO BE INSTALLED INTO THE SIDE OF THE POST IN THESE AREAS USING 2 APPROPRIATE COMPOSITE DECKING SCREWS - PRE-DRILLING IS RECOMMENDED.**



### Installing Pressure-treated Posts, Post Sleeves, and Skirts

1. See instructions on page 3. See notes on page 7 regarding not cutting post/post sleeve.

### Measuring and Cutting Bottom Stair Rail

2. See instructions on page 3.

### Marking Location for Foot Block on Bottom Rail

3. See instructions on page 4.

### Attaching RSB's for Bottom Stair Rail

4. See instructions on page 4.

### Attaching Bottom (Universal) Stair Rail

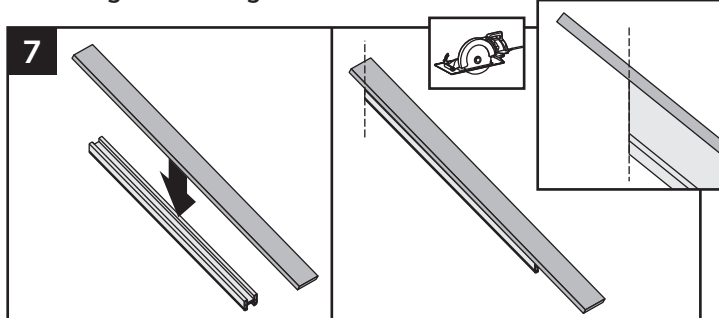
5. See instructions on page 4.

**IMPORTANT NOTE: REMEMBER TO INVERT UNIVERSAL TOP RAIL BEFORE MARKING AND CUTTING**

### Measuring and cutting Top Stair Rail

6. See instructions on page 5.

### Measuring and Cutting Deck Board



7. Using the cut top rail as template, cut deck board at upper post location at same angle as the top rail. Leave a generous amount of deck board material at lower post location as this will allow for overhang and can be cut later.

### Attaching RSB's for Top Stair Rail

8. See instructions on page 6.

### Installing Inverted Top Baluster Spacer and Placing balusters

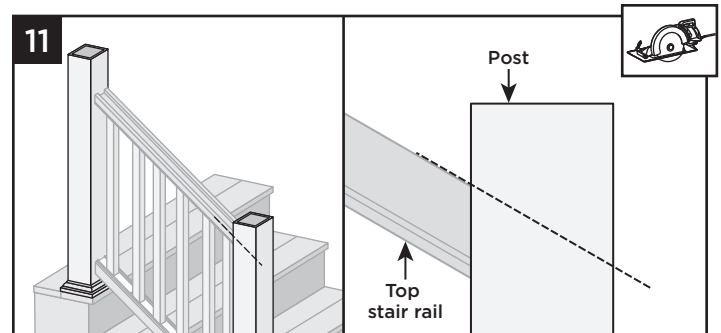
9. See instructions on page 6.

**DO NOT SLIDE TOP BALUSTER SPACER INTO PLACE YET.**

### Attaching Top Stair Rail

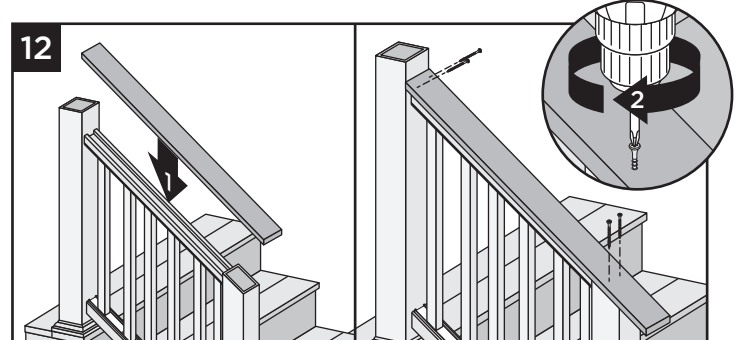
10. See instructions on page 6.

### Cutting Lower Post/Post Sleeve



11. Cut post and post sleeves to proper angle so cut is flush with the top rail. Be careful to not cut top rail.

### Attaching Deck Board to Top Stair Rail and Securing Balusters

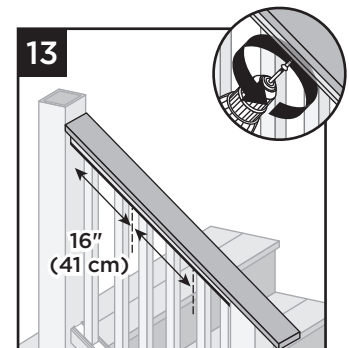


12. Place deck board on top rail and attach board to posts using two Trex recommended composite decking screws (use two screws per each post).

**NOTE: At upper post location pre-drilling is recommended and install screws perpendicular to the post.**

13. Secure board to top (universal) rail from underside of rail into bottom of deck board with 1-5/8" (41 mm) pan-head screws (not provided) approximately every 16".

**NOTE: balusters can be shifted out of the way if necessary.**



# TREX TRANSCEND® STAIR RAILING

## Installation Instructions

### HOW TO INSTALL COCKTAIL STAIR RAILING CONTINUED

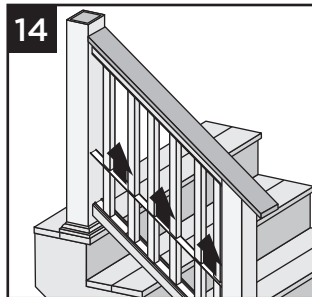
#### TREX TRANSCEND

14. Slide baluster spacer up and snap into top rail.

#### Installing Optional Gaskets

15. See instructions on page 6.

**NOTE:** Top gaskets may have to be trimmed to fit properly.



#### Installing Foot Block

16. See instructions on page 6.

### HOW TO INSTALL TRADITIONAL STAIR RAILING

#### TREX TRANSCEND

#### Installing Pressure-treated Posts, Post Sleeves, and Skirts

1. See instructions on page 3.

#### Measuring and Cutting Bottom Stair Rail

2. See instructions on page 3.

#### Marking Location for Foot Block on Bottom Rail

3. See instructions on page 4.

#### Attaching RSB's for Bottom Stair Rail

4. See instructions on page 4.

#### Attaching Bottom (Universal) Stair Rail

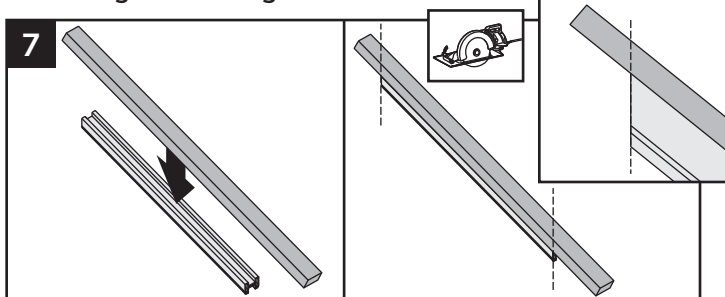
5. See instructions on page 4.

**IMPORTANT NOTE:** REMEMBER TO INVERT UNIVERSAL TOP RAIL BEFORE MARKING AND CUTTING

#### Measuring and cutting Top Stair Rail

6. See instructions on page 5.

#### Measuring and Cutting 2x4



7. Using the cut top rail as template, cut 2x4 at same angle and length of the top rail.

#### Attaching RSB's for Top Stair Rail

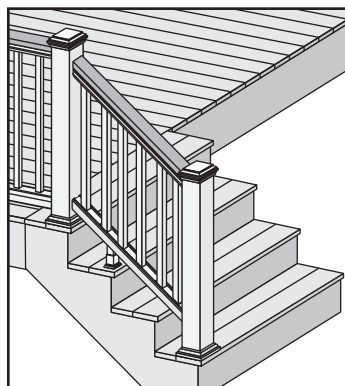
8. See instructions on page 6.

#### Installing Inverted Top Baluster Spacer and Placing Balusters

9. See instructions on page 6.

DO NOT SLIDE TOP BALUSTER INTO PLACE YET.

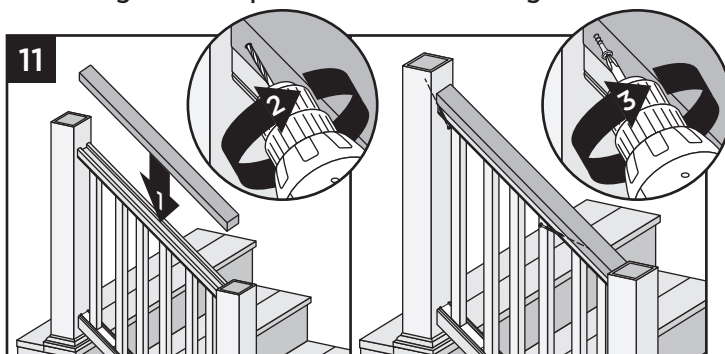
8



#### Attaching Top Stair Rail

10. See instructions on page 6.

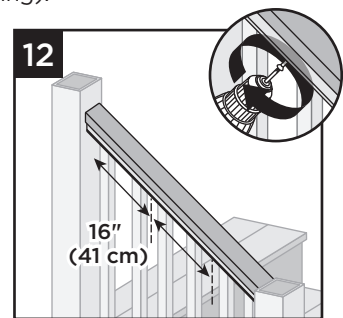
#### Attaching 2x4 to Top Stair Rail and Securing Balusters



11. Pre-drill a pilot hole and toenail 2-1/2" (6.4 cm) composite deck screw at each end of 2 x 4 into post on back side of stair rail (side not facing decking).

12. Secure 2x4 to top(universal) rail from underside of rail into bottom of 2x4 with 1-5/8" pan-head screws (not provided) approximately every 16".

**NOTE:** Balusters can be shifted out of the way if necessary.



13. Slide baluster spacer up and snap into top rail.

#### Installing Optional Gaskets

14. See instructions on page 6.

**NOTE:** top gaskets may have to be trimmed to fit properly.

#### Attaching Post Caps and Installing Foot Block

15. See instructions on page 6.

