

# Secure Edge<sup>SM</sup> Basic

neeve 

Product  
Data Sheet

The Secure Edge Basic appliance integrates with the Neeve Secure Edge Platform to offer a comprehensive solution for OT cybersecurity, zero-trust remote access, and edge application deployment. The Basic offering is a fanless, robust device tailored for smaller deployments that require security and remote access for a limited number of devices, and where edge applications have modest CPU and memory needs.



The Secure Edge Basic is suitable for use cases such as:

- Deploying Tridium Niagara or Neeve's OT Edge Integration service to stream a few hundred data points to the cloud.
- Securing and remotely managing equipment at a retail branch location or a small multi-family building remotely.
- Providing remote access to sites during commissioning and construction.

One Basic appliance is sufficient for a building, but additional devices can be installed if networks terminate in separate physical locations and need to be connected and converged in the cloud.

## LIMITATIONS

- Support for up to 2 LANs
- Support for up to 2 edge applications due to limited compute and memory resources
- Up to 5 concurrent remote access sessions
- Not suitable for high-availability and edge-clustering configurations

## Hardware Specifications

The Basic appliance is provided as a managed service on subscription basis. The device specifications are below, but may be subject to change based on hardware availability.

### GENERAL

<b>Dimensions (W x D x H)</b>	100 x 70 x 30 mm/3.9 x 2.8 x 1.2 in
<b>Weight (Net)</b>	0.5 kg/1.1 lb
<b>Enclosure</b>	Aluminum
<b>Mount Options</b>	Stand, wall, shelf (optional sku)
<b>Power Requirement</b>	10 ~ 30VDC (1x 2-pin terminal block)
<b>Power Consumption</b>	12W (typical), 30W (max.)
<b>Operating Temperature</b>	-20 ~ 60 °C/ -4 ~ 140 °F @ 5 ~ 85% RH with 0.7 m/s airflow

### SYSTEM HARDWARE & INTERFACES PER APPLIANCE

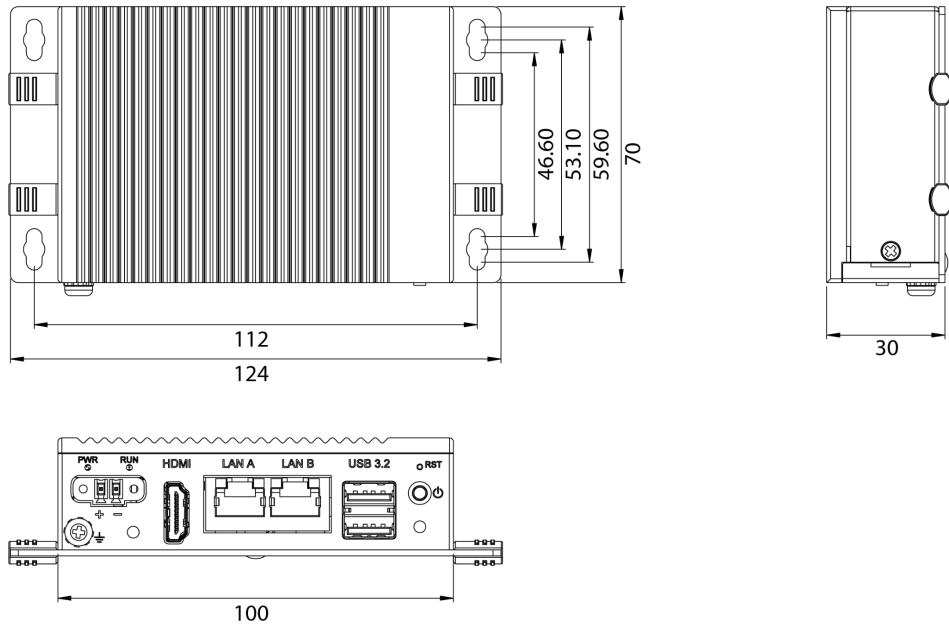
<b>Hardware Security</b>	TPM2.0 (TPM 2.0 Library Reversion 1.38)
<b>Processor</b>	Intel® Pentium® N6415 quad-core (1.2 GHz)
<b>Memory</b>	8 GB DDR4 2666 MHz onboard
<b>Graphics Engine</b>	Intel® UHD Graphics
<b>Storage</b>	128 GB eMMC <i>(external storage support disabled for security)</i>
<b>LAN Ports</b>	2 x RJ45, 10/100/1000 Mbps IEEE 802.3u
<b>USB Ports</b>	2 x USB 3.2 Gen 1 <i>(use for external storage disabled for security)</i>
<b>Display Output</b>	1 x HDMI (1920 x 1080 @60Hz)

## Hardware Specifications

The Basic appliance is provided as a managed service on subscription basis. The device specifications are below, but may be subject to change based on hardware availability.

### DIMENSIONS & PORTS

Units = mm



### INCLUDED WITH HARDWARE

- (2) RJ45 Ethernet cables 3ft
- (1) 30V Power supply
- (1) Power cord North America & Taiwan 6 ft
- (1) Power cord UK 6 ft
- (1) Power cord EU 6 ft
- (1) Power cord Australia & China 6 ft

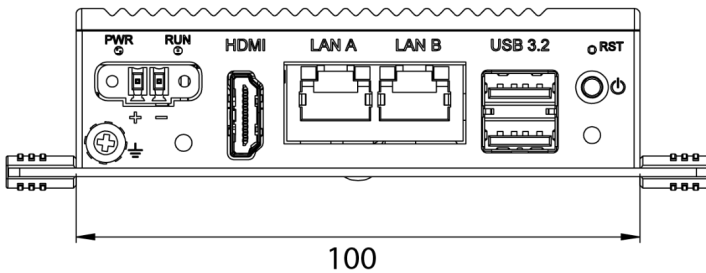
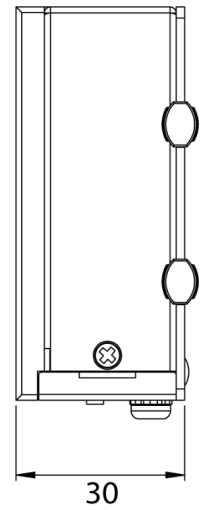
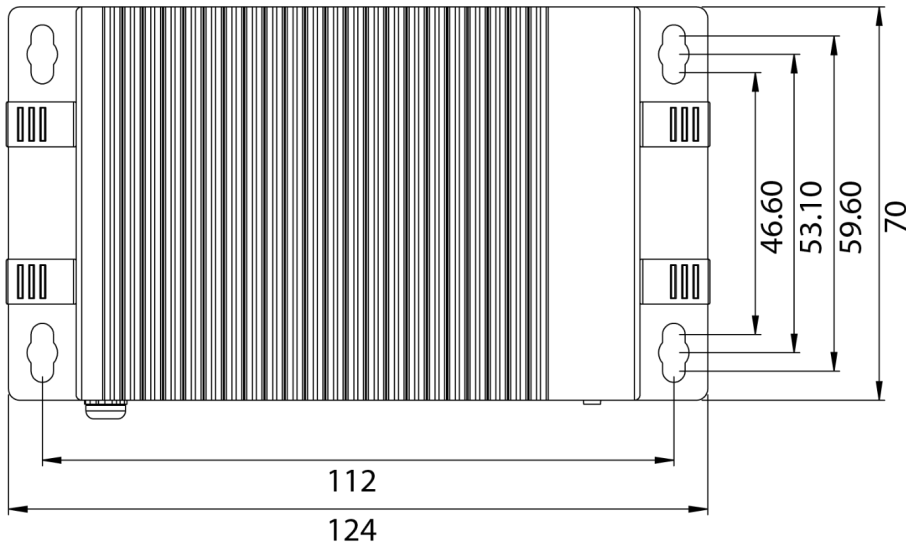


## Hardware Specifications

The Basic appliance is provided as a managed service on subscription basis. The device specifications are below, but may be subject to change based on hardware availability.

### DIMENSIONS & PORTS

Units = mm



### INCLUDED WITH HARDWARE

- (2) RJ45 Ethernet cables 3ft
- (1) 30V Power supply
- (1) Power cord North America & Taiwan 6 ft
- (1) Power cord UK 6 ft
- (1) Power cord EU 6 ft
- (1) Power cord Australia & China 6 ft



## Ordering Information

	Description	SKU
<b>Prerequisites (Direct customers only)</b>	First time customers require a one-time per customer set-up.	<b>SE-CUSTOMER-SETUP-ENTERPRISE</b>
<b>Core Product</b>	Available 1 or 3 year term	<b>SE-BASIC</b>

## Optional Products

The base functionality of Neeve’s Secure Edge Basic appliance can be extended with a host of services and add-on products.

	Description	SKU
<b>Rackmount Shelf</b>	1U rack shelf for mounting	<b>SE-RACK-SHELF</b>
<b>Pre-configuration</b>	For customers with high-volume of bespoke site configuration such as static WAN, devices can be pre-configured in the factory prior to shipping.	<b>SERVICES-PROSERVICES-PRECONFIG</b>
<b>Remote Access Agent Site License (Direct customers only)</b>	Licensing for Remote Access Agent is per site. A site license includes 50 global users, and additional users can be purchased in packs of 10. This site license is included in Reseller agreements so only Direct customers need to purchase it.	<b>SE-REMOTEAACCESS-ENDUSER-SITE</b>
<b>Remote Access Agent Additional End Users License</b>	License to enable end users to use a desktop or mobile agent to securely connect native applications to devices in a building. 10-pack license	<b>SE-REMOTEAACCESS-ENDUSER-ADDITIONALUSERS-10</b>
<b>Cloud Connection Optimization - Site License</b>	Annual site license for edge-to-cloud optimization service that uses a distributed network of global servers to compress and optimize data flow for video and other bandwidth intensive data exchanges.	<b>SE-CLOUDOPTIMIZATION-SITE SE-REMOTEAACCESS+CLOUDOPTIMIZATION-UPGRADE</b>
<b>Supplemental Appliance</b>	Supplemental appliance for cases where networks terminate in physically separate locations and need to be converged in the cloud. Available with 1 or 3 year term.	<b>SE-SUPPLEMENTAL-BASIC</b>