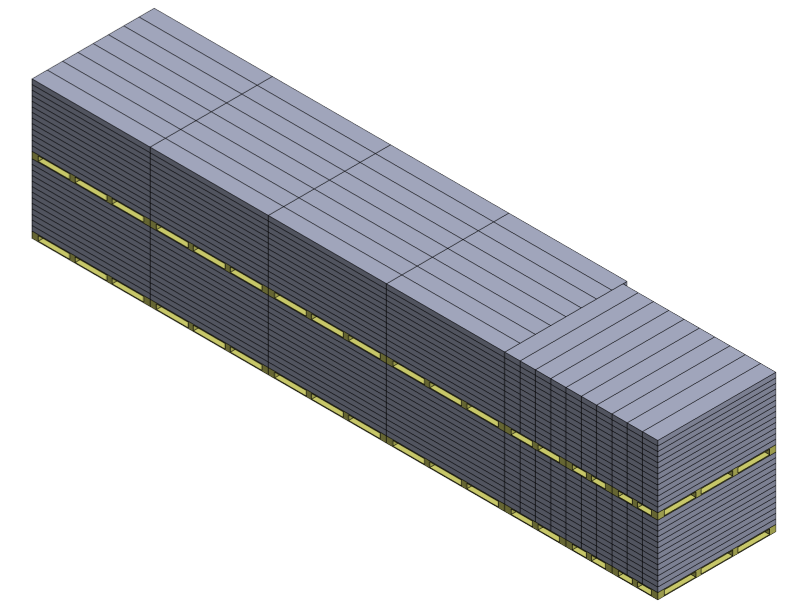
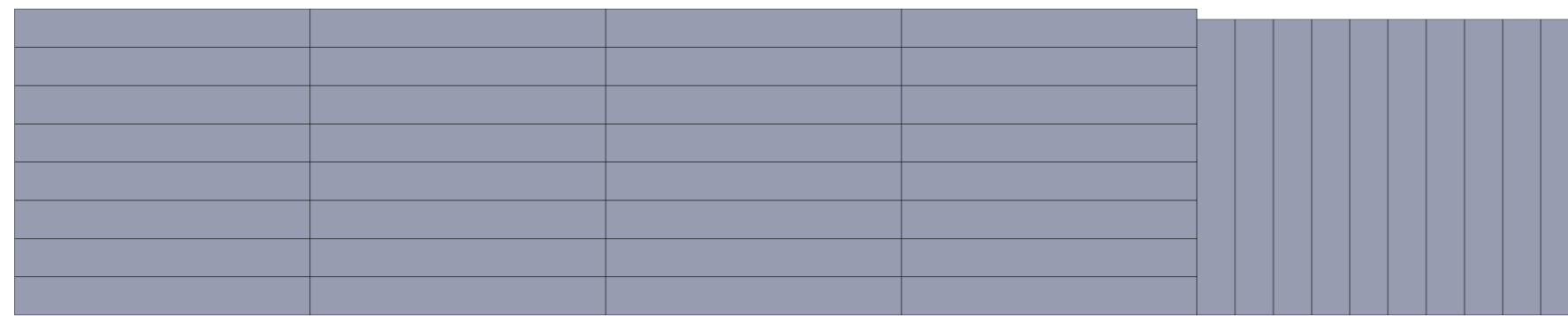


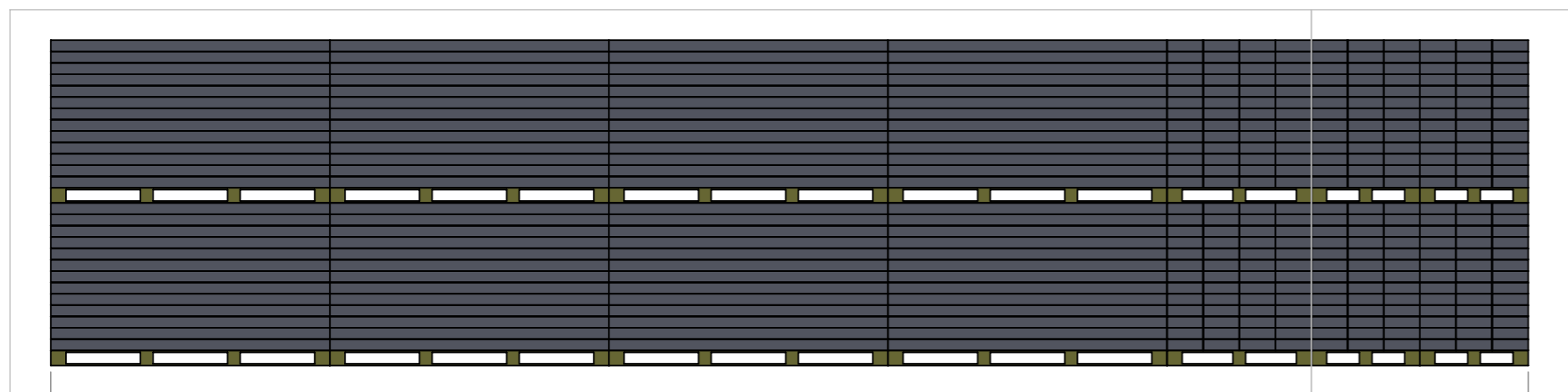
9230170 14x10 HIP ROOF MOSQUITO MESH KIT LOADING DIAGRAM

(18 Pallet A, 52 sets/pallet A, 4 Pallet B, 39 sets/pallet B, total 24 Pallets, 1092 sets, gross weight: 16674 Kg)



Pallet A

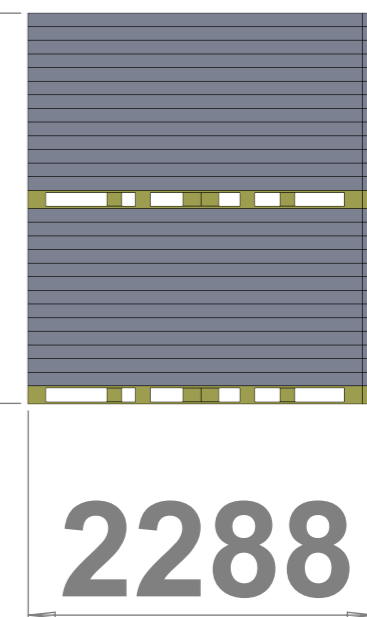
Pallet B



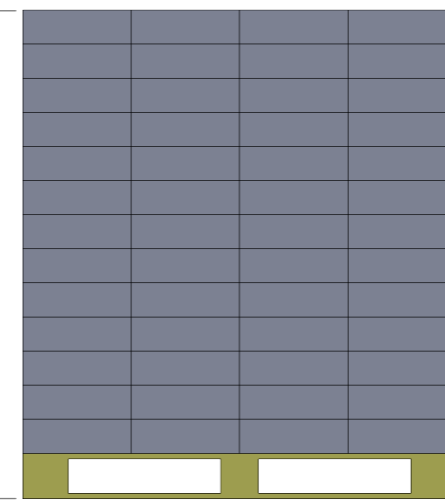
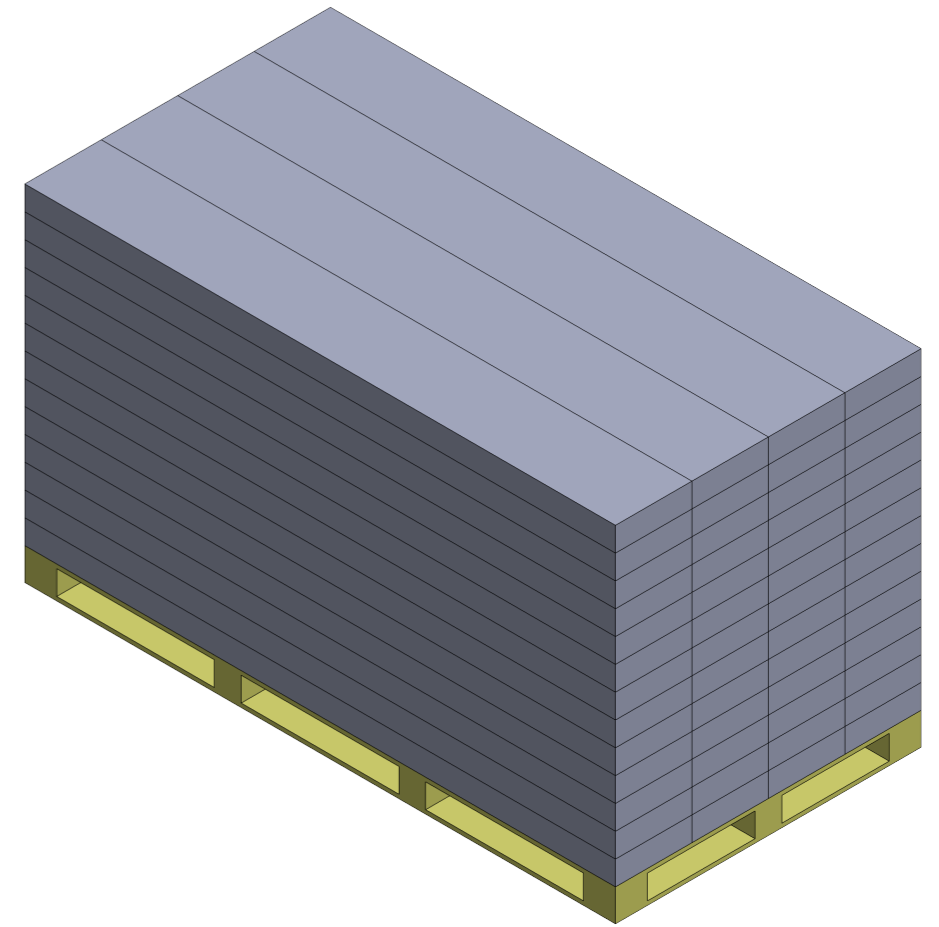
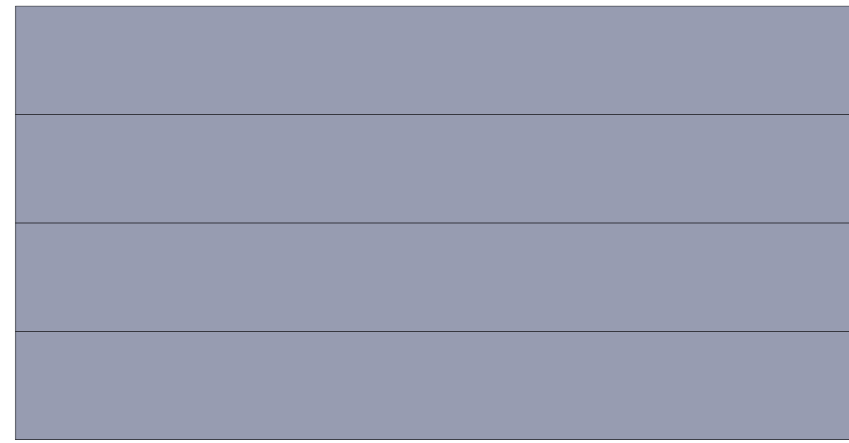
11700

2580

2288



Pallet A, 52 sets/pallet

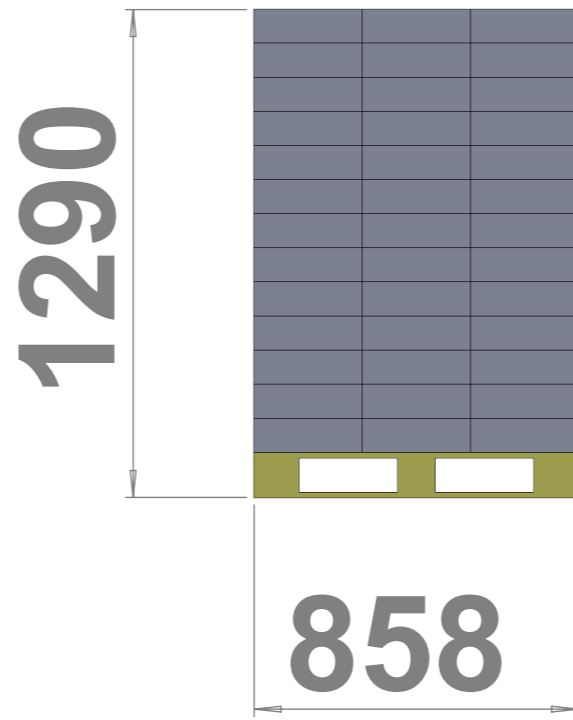
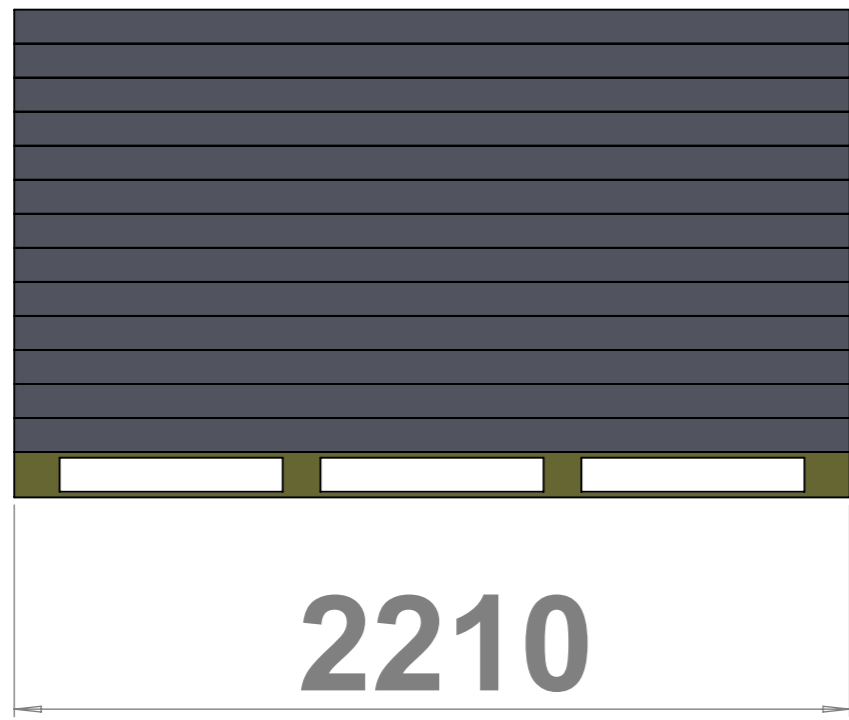
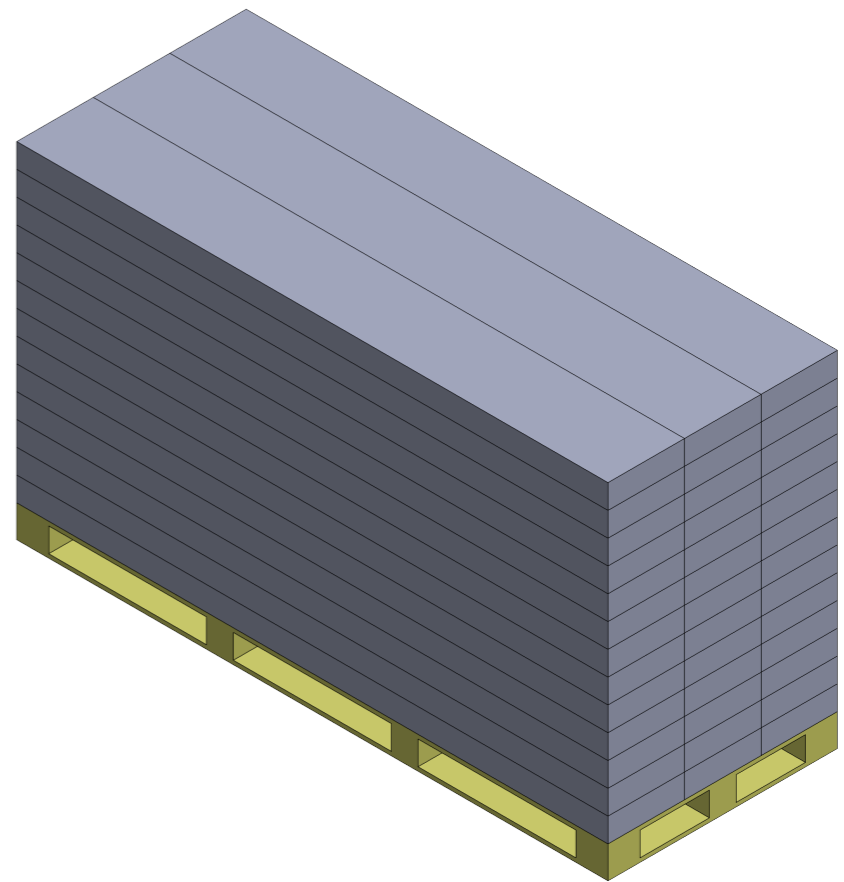
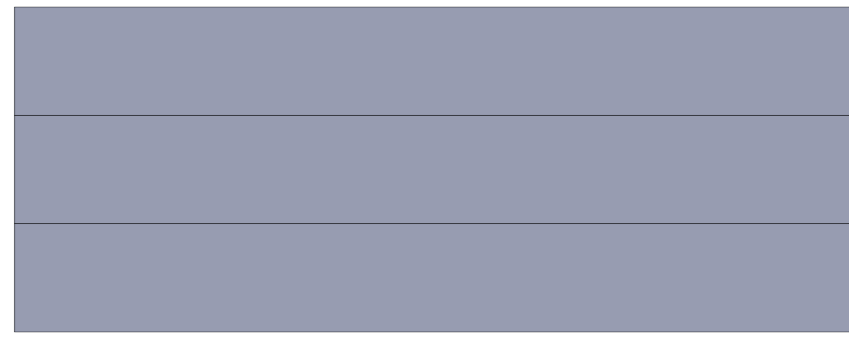


2210

1290

1144

Pallet B, 39 sets/pallet



8

7

6

5

4

3

2

1

F

F

E

E

D

D

C

C

B

B

A

A

8

7

6

5

4

3

2

1

2210

1290

858

Carton Details

Weight: 14.5 Kg

2210

90

286

