



Matte Black Hardware Finish Shown

SAPPHIRE

Specification Features

- SEMI-FRAMELESS SLIDING BYPASS SHOWER DOOR
- CONVENIENT DUAL TOWEL BARS
- UP TO 4 IN. OF ADJUSTMENT FOR WIDTH, IF NEEDED
- UP TO 1/4 IN. FOR OUT-OF-PLUMB (UNEVEN WALLS)
- 5/16 IN. (8 MM) THICK CERTIFIED CLEAR TEMPERED GLASS
- CLEARMAX WATER AND STAIN RESISTANT GLASS COATING

Technical Information

- Model: Sapphire
- Product Type: Sliding Bypass Shower Door
- Dimensions: 44 - 48 in. W x 76 in. H
- Access Width Max: 22 1/4 in.
- Access Width Min: 18 1/4 in.
- Glass Thickness: 5/16 in. (8 mm)
- Glass Type: Clear
- Glass Coating: ClearMax

Codes/Standards Applicable

- ANSI Z97.1 (Tempered Glass)
- 16 CFR Part 1201

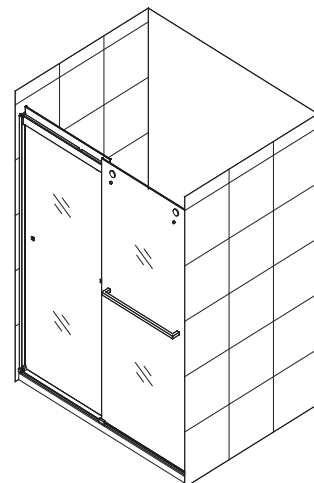
Hardware Finish Options:



- 01 - Chrome
- 04 - Brushed Nickel
- 09 - Matte Black

Model SKU#s:

- SHDR-6348762-01
- SHDR-6348762-04
- SHDR-6348762-09



Available Product Configurations:

Shower Door SKU#s:

Clear Glass

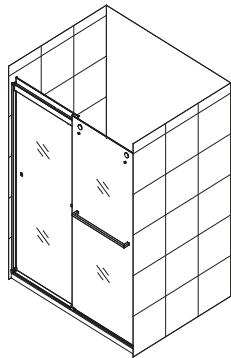
SHDR-6348762-XX

SHDR-6360762-XX

Gray Glass

SHDR-6348762GXX

SHDR-6360762GXX



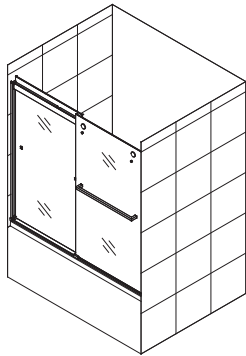
Tub Door SKU#s:

Clear Glass

SHDR-6360602-XX

Gray Glass

SHDR-6360602GXX



Important Notes:

If this unit is going to be installed in a new construction, please, install all of the required plumbing and drainage before installing the shower. Use a competent and licensed plumber for all plumbing installation period.

Drilling into the threshold is required for installation of this product and professional installation is recommended.

Top and bottom guiderails can be trimmed up to 4 in. for width adjustment; Wall profiles accommodate up to 1/4 in. for out-of-plumb (uneven walls).

Minimum threshold depth of 3 in. is required for proper installation.

Important Disclaimers:

- Prior to installation, please ensure that the installation surface is finished, level and solid and will be able to support the total weight of the unit. Also, make sure that the walls are plumb. Irregular installation, surface level or out of square conditions can result in serious problems for your installation.
- Please read Installation Manual thoroughly prior to installing this product.
- Please note that you should consult your local building codes with questions on installation compliance standards. Building and plumbing codes may vary by location, and DreamLine® is not responsible for code compliance standards for your project and will not accept any returns.

For commercial customers, we strongly recommend the use of Dreamline's Onsite Contractor Support option.

Dreamline's commercial warranty does not apply to damage or losses resulting from (i) other than normal and proper use and normal service conditions; (ii) improper installation, (iii) installation in or upon an unsuitable surface or areas; (iv) abuse, (v) accident, (vi) alteration, (vii) misuse, (viii) neglect, (ix) unauthorized repair or the failure to utilize suitably qualified and trained persons to perform service and/or repair of the Product, (x) improper maintenance, (xi) failure to follow installation, operating, cleaning or maintenance instructions, and (xii) use of "non-authorized" parts.