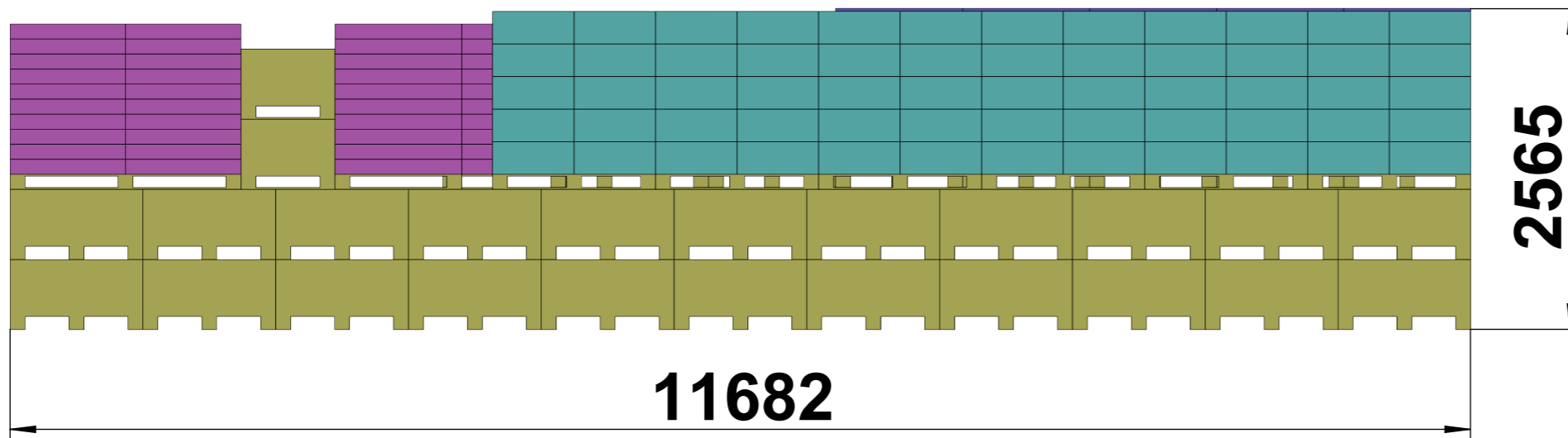
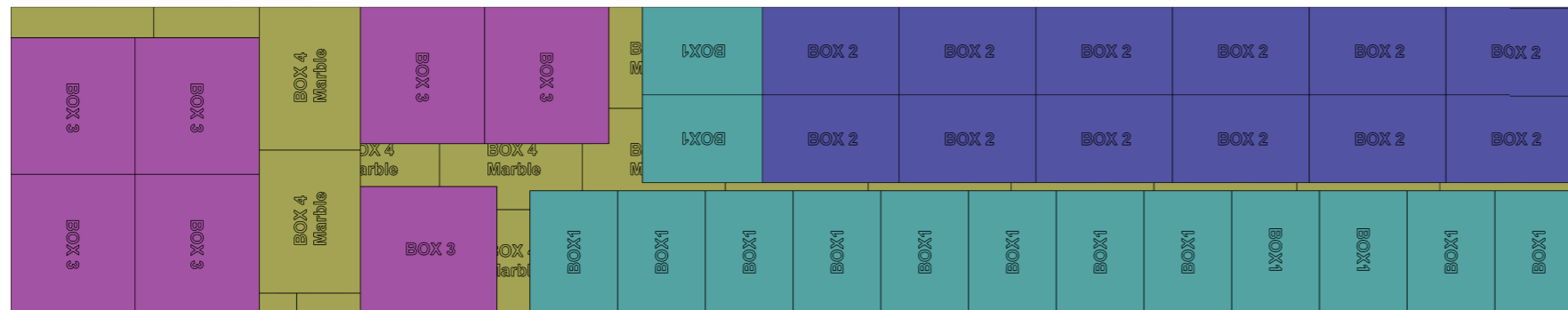
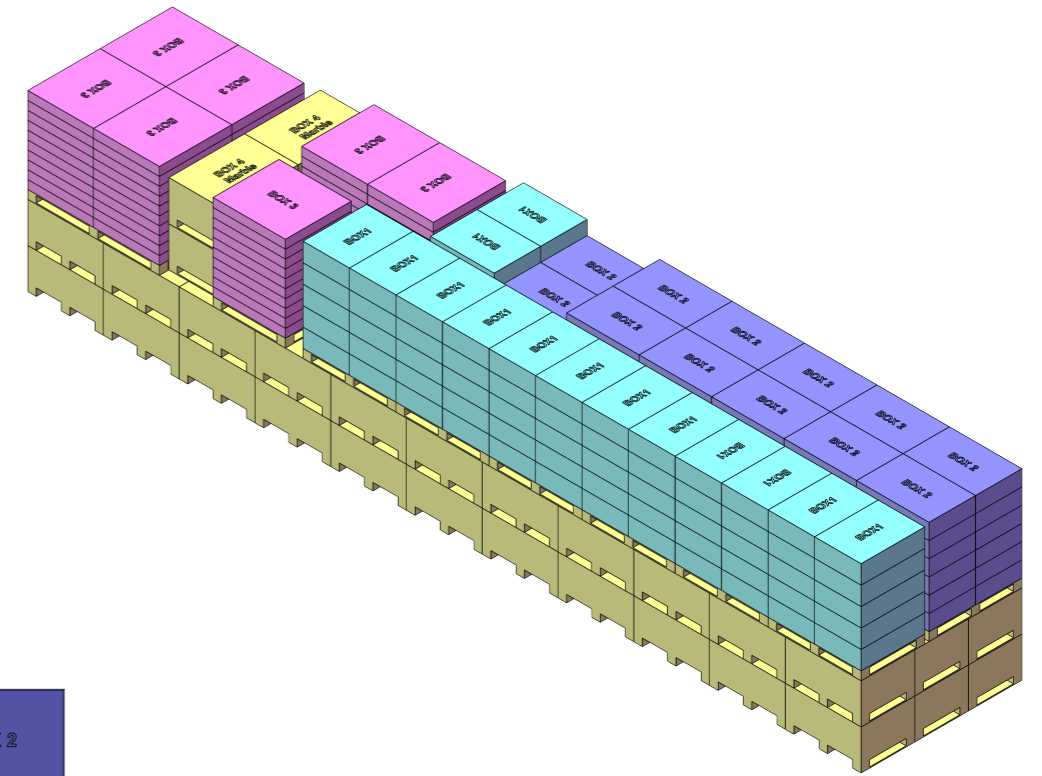
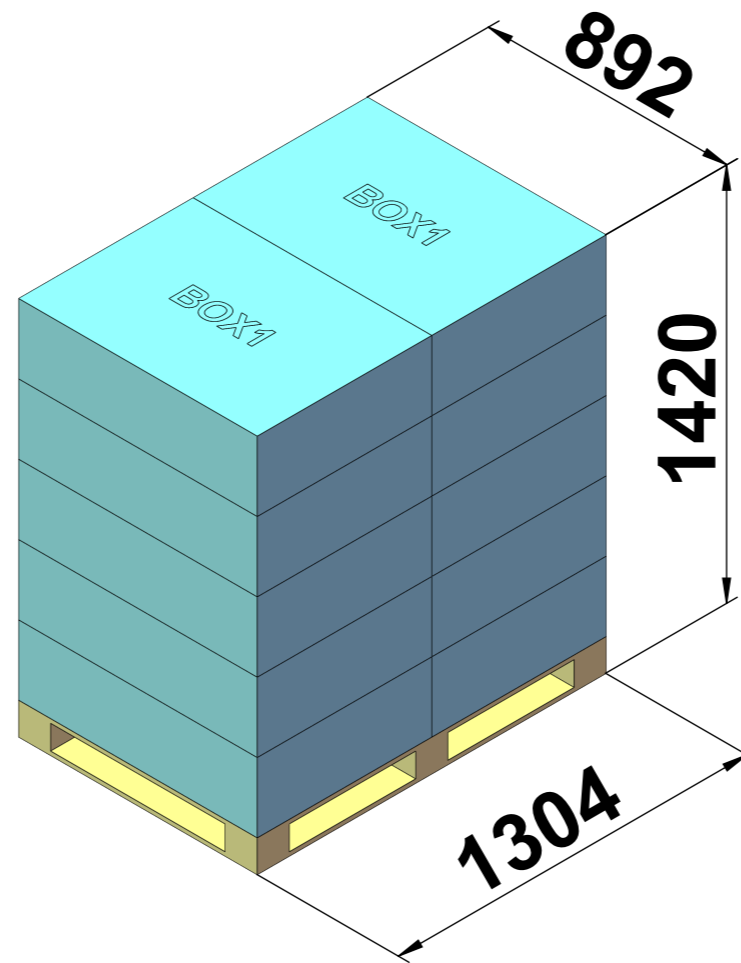


2404441 GALVANIZED STEEL PATIO KITCHEN 3-PIECE Loading Diagram

Box #1 7 pallets, total 70 boxes
Box #2 5 pallet A, 1 pallet B, total 70 boxes
Box #3 3 pallet A, 1 pallet B, total 70 boxes
Marble total 70 crates
Gross weight : 17820 Kg

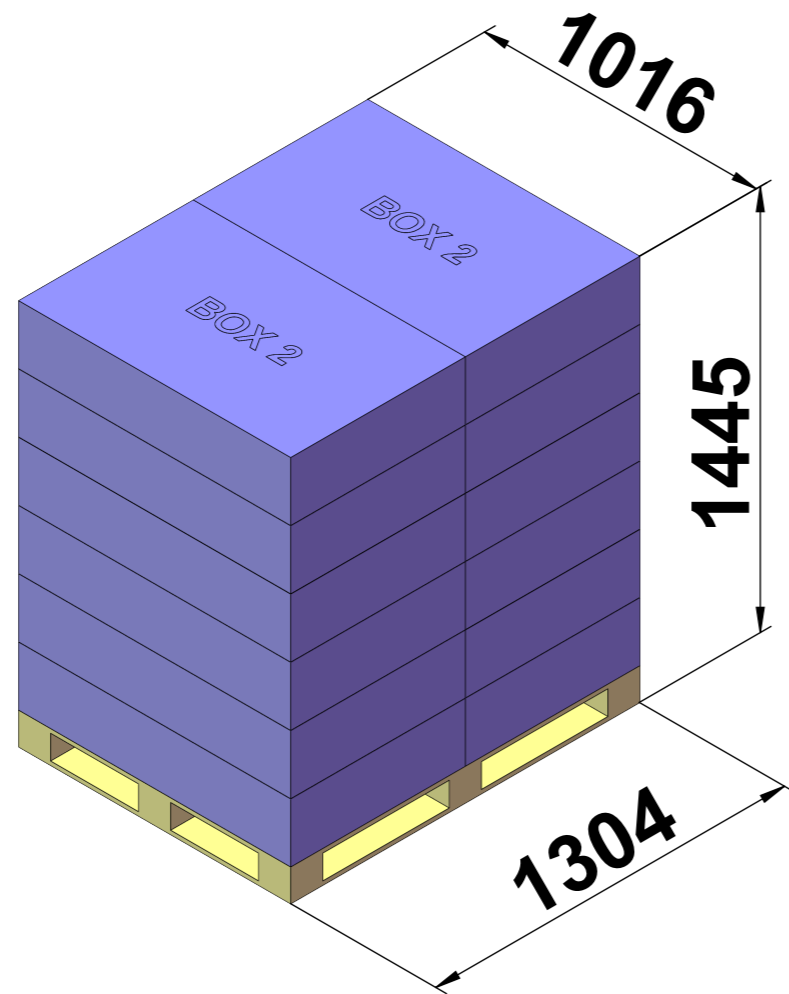


BOX 1 Pallet Details

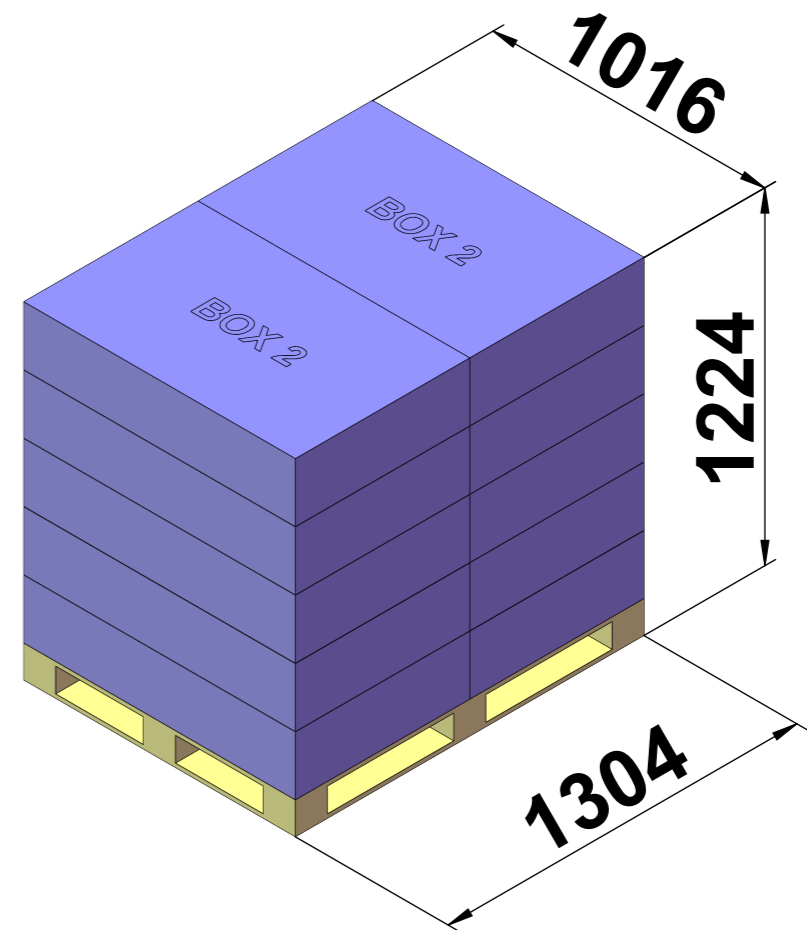


10 boxes/palles
7 pallets

BOX 2 Pallet Details

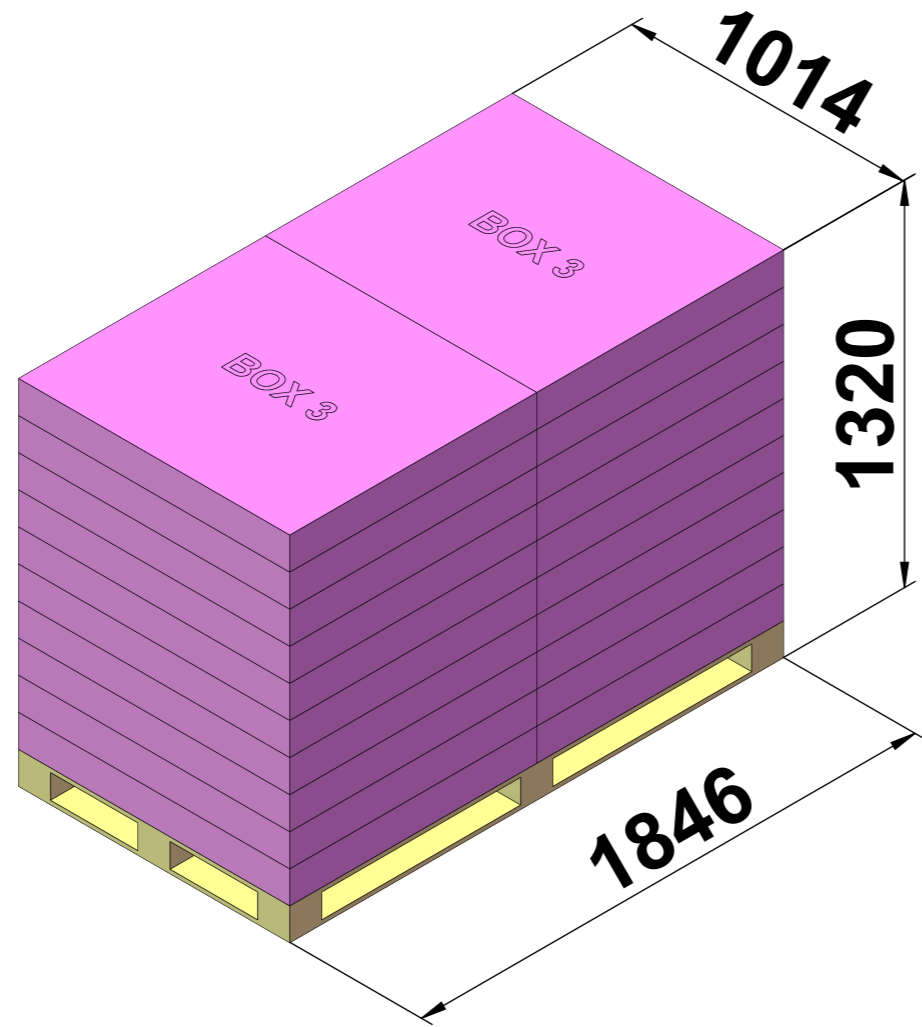


**Pallet A 12 boxes
5 pallets**

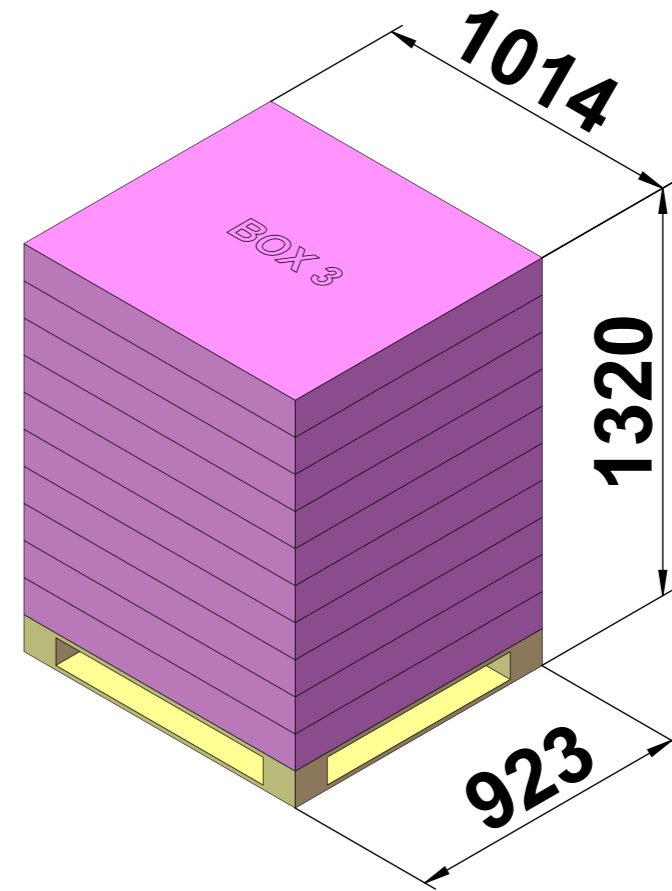


**Pallet B 10 boxes
1 pallet**

BOX 3 Pallet Details

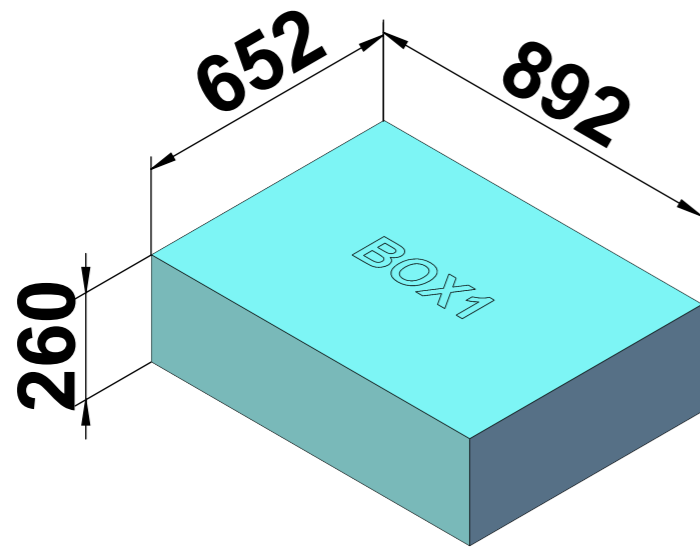


**Pallet A 20 boxes
3 pallets**

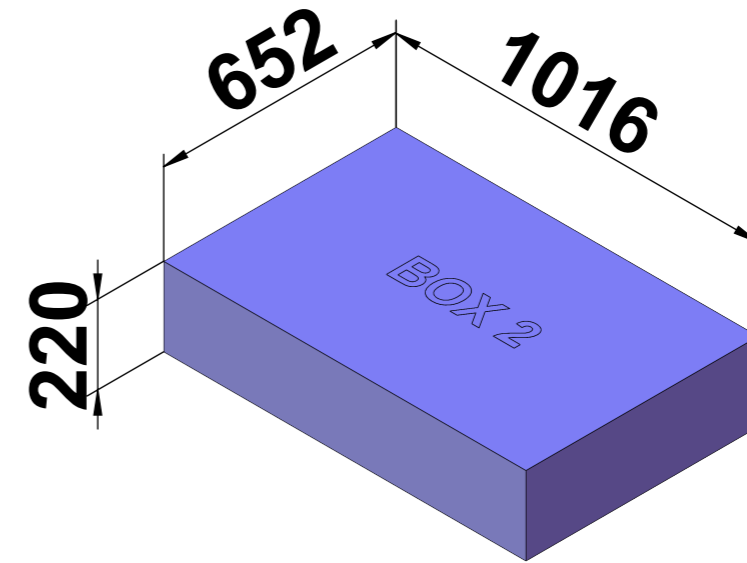


**Pallet B 10 boxes
1 pallet**

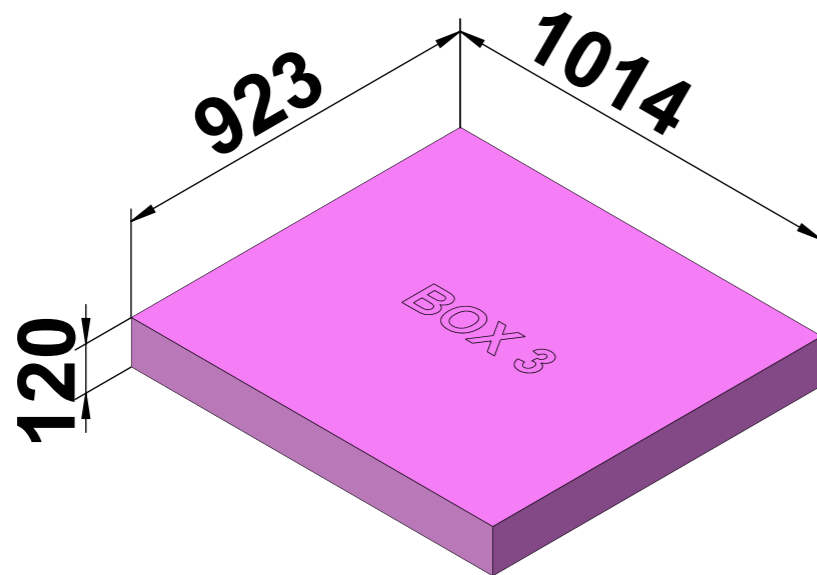
BOX details



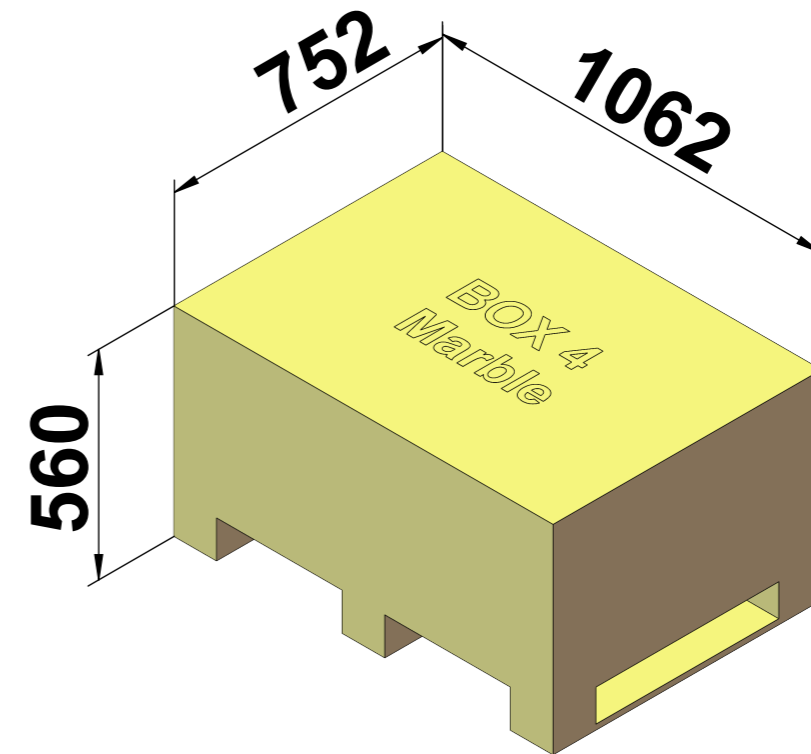
BOX 1 37 Kg



BOX 2 39 Kg



BOX 3 35 Kg



MARBLE 130 Kg