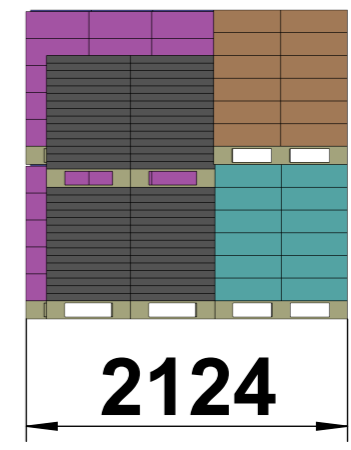
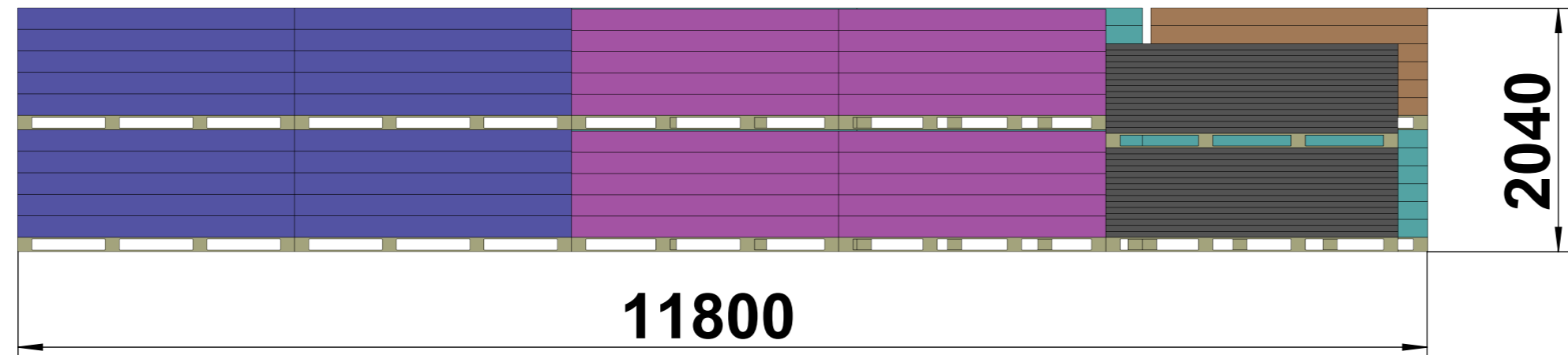
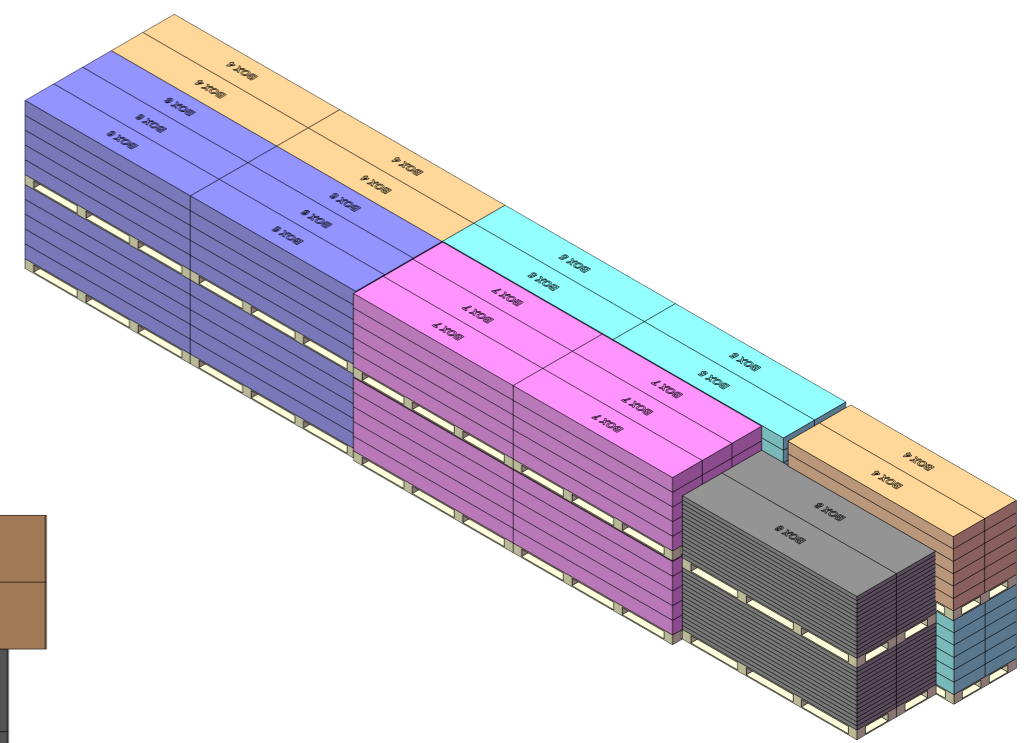
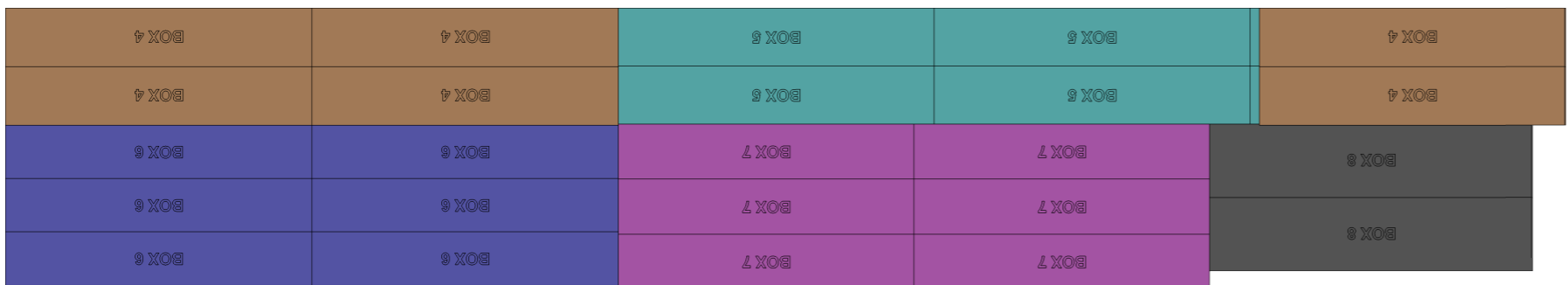
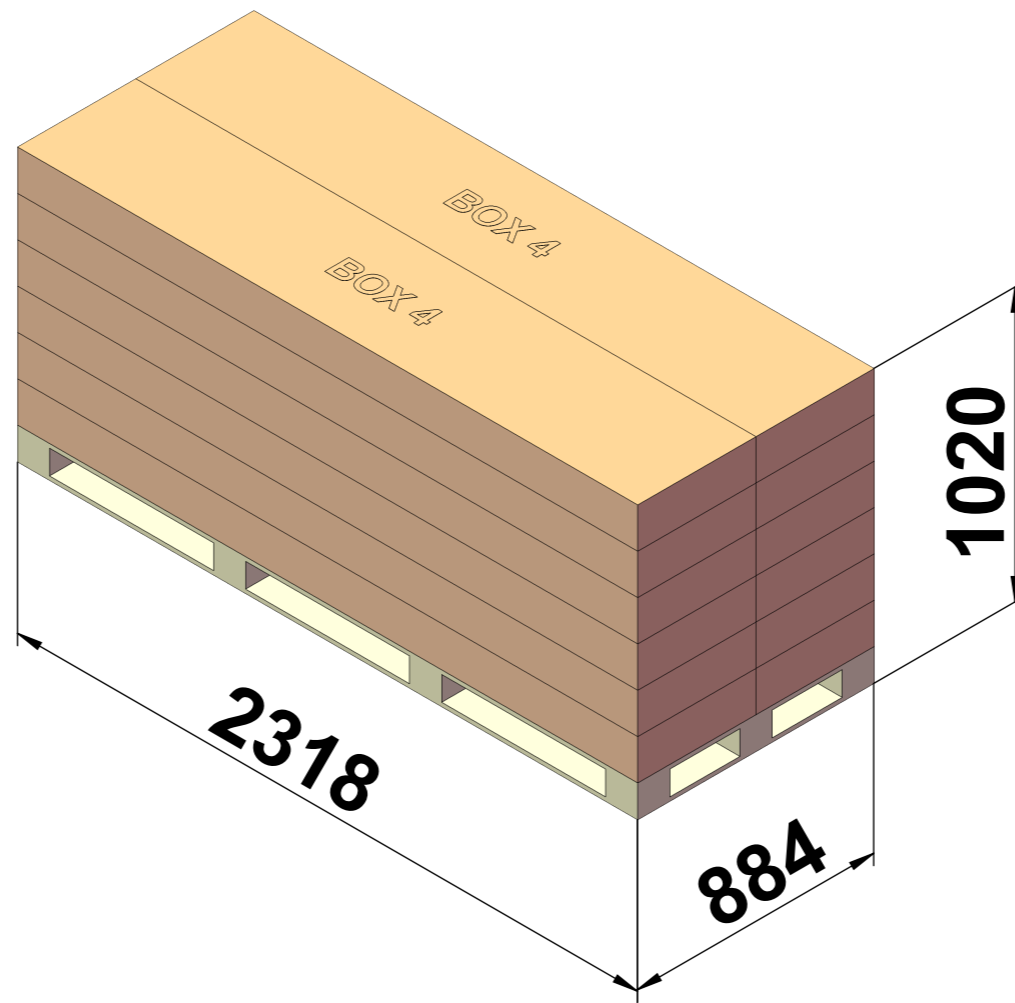


2404151 Lancaster Linear Kitchen Loading Diagram

60 sets / 40HQ, total 22 pallets, gross weight : 19960 Kg

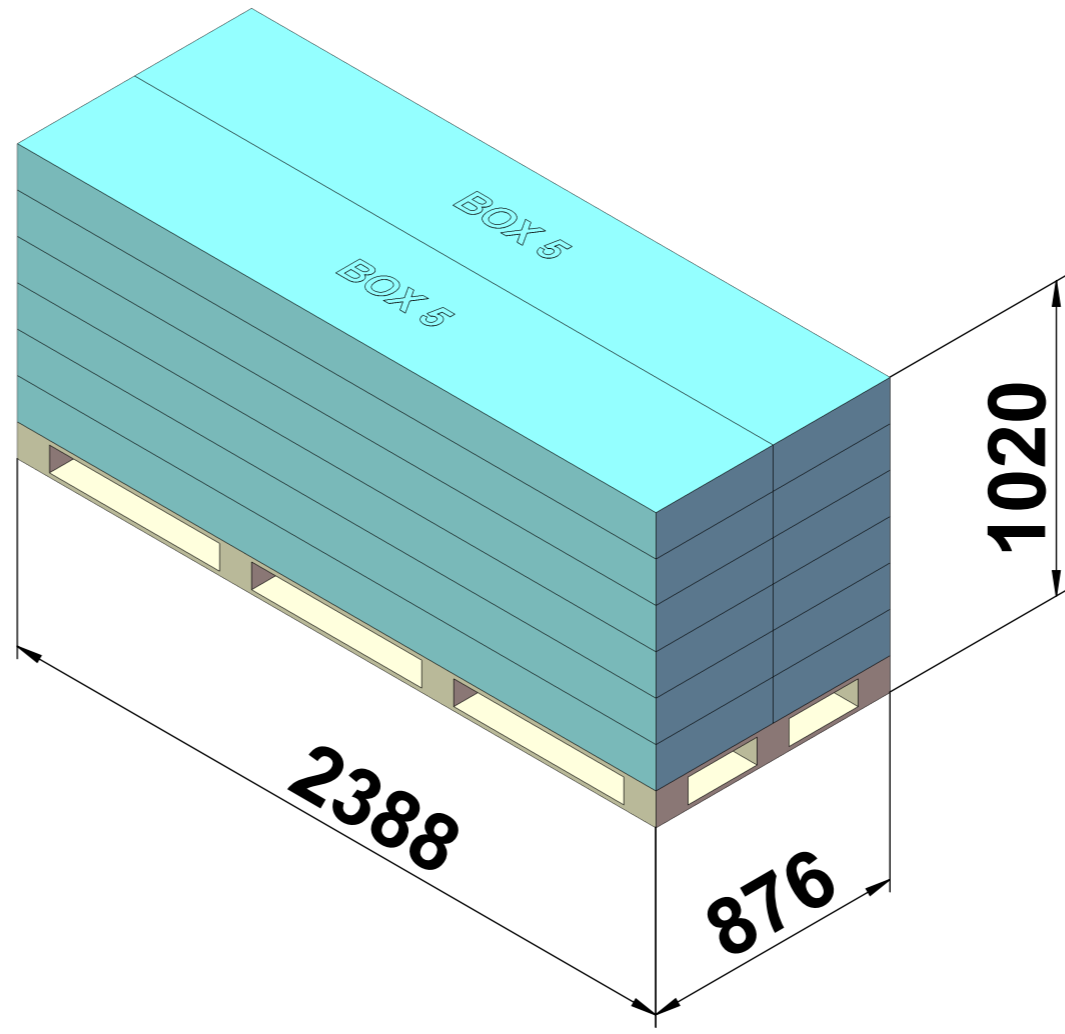


BOX 4 Pallet Details



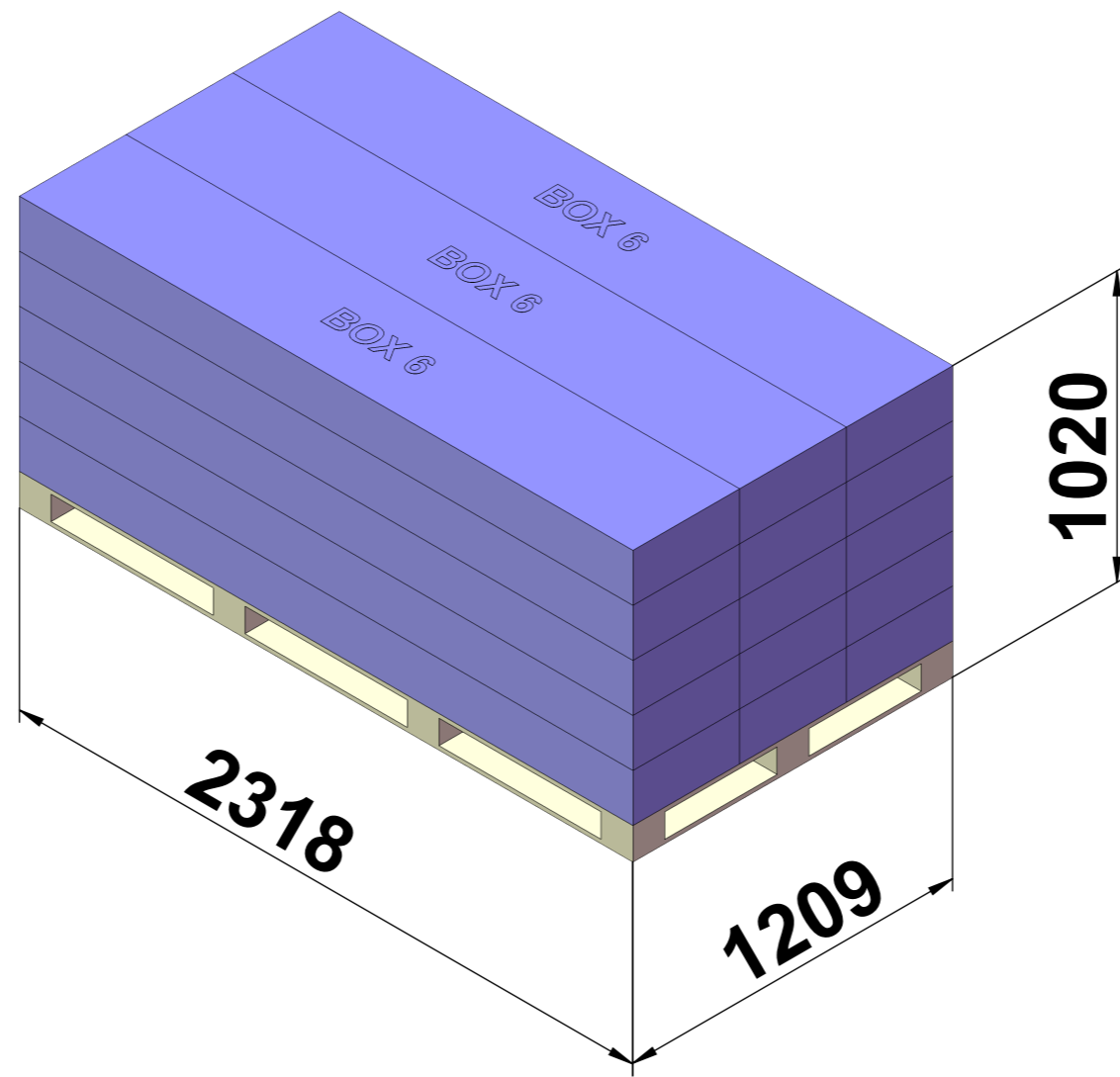
**Pallet A 12 boxes
5 pallets**

BOX 5 Pallet Details



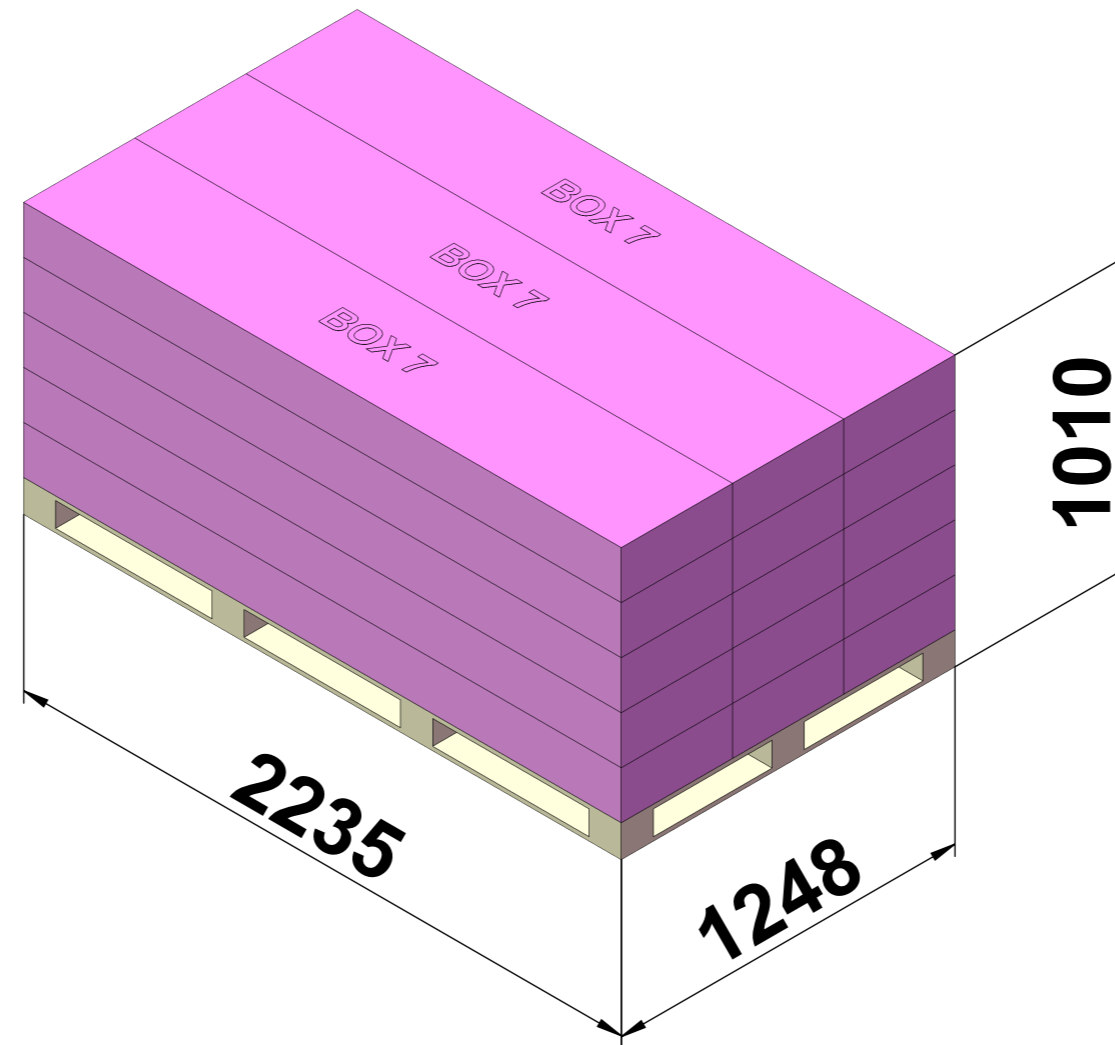
**Pallet A 12 boxes
6 pallets**

BOX 6 Pallet Details



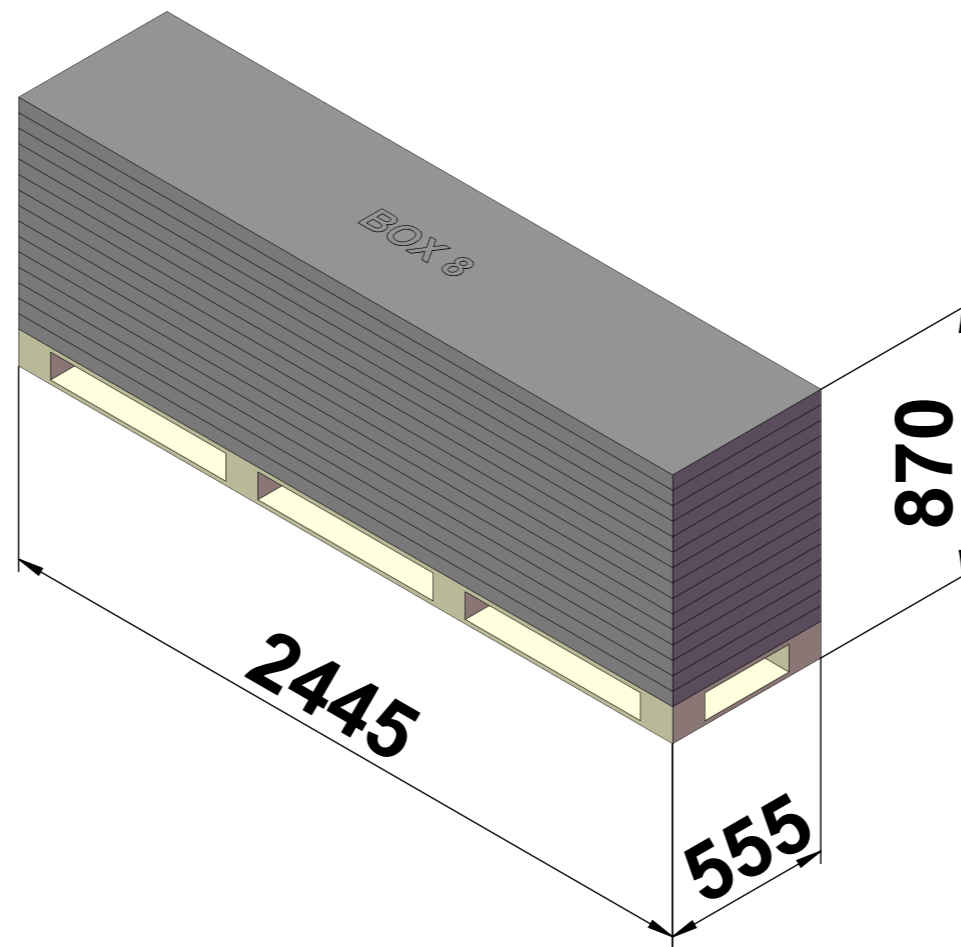
**Pallet A 15 boxes
4 pallets**

BOX 7 Pallet Details



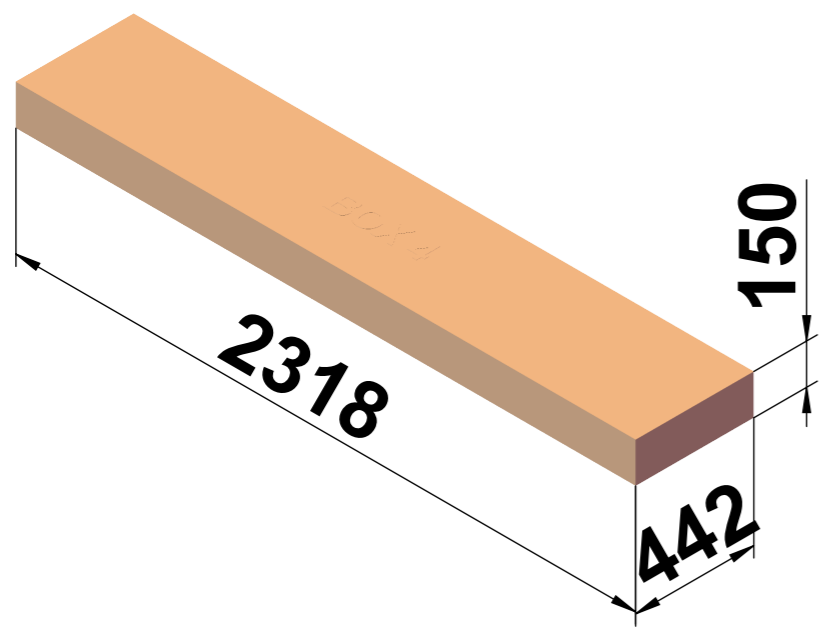
**Pallet A 15 boxes
4 pallet**

BOX 8 Pallet Details

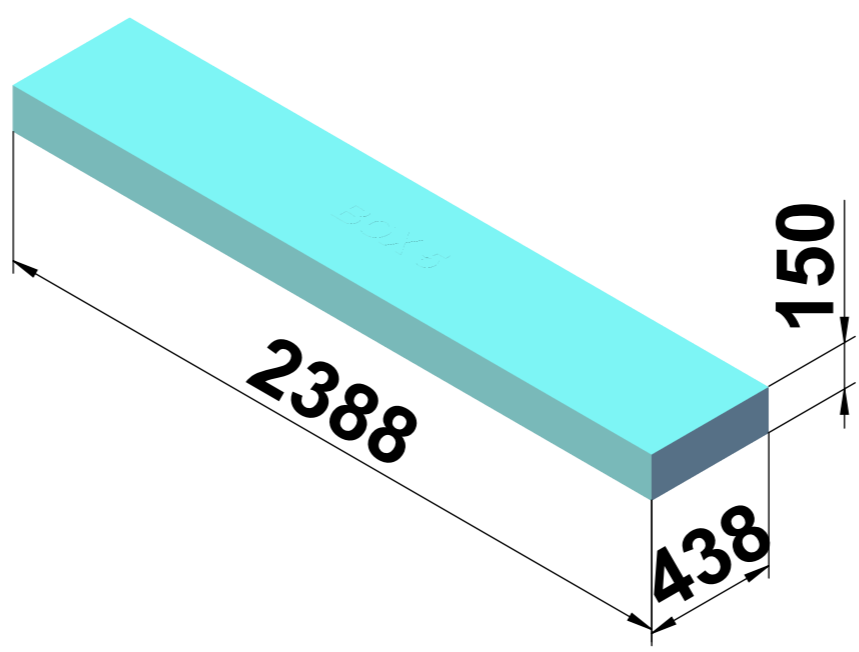


**Pallet A 15 boxes
4 pallets**

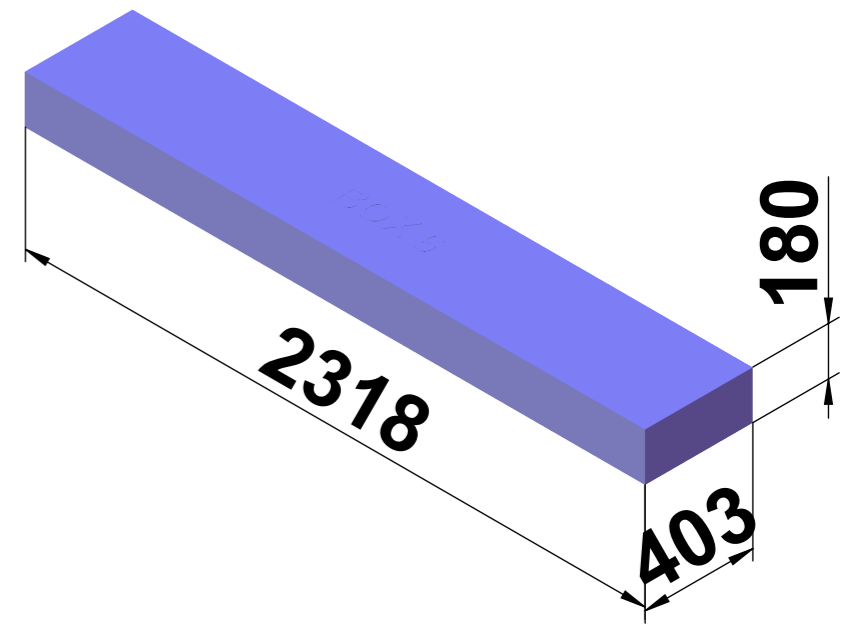
BOX details



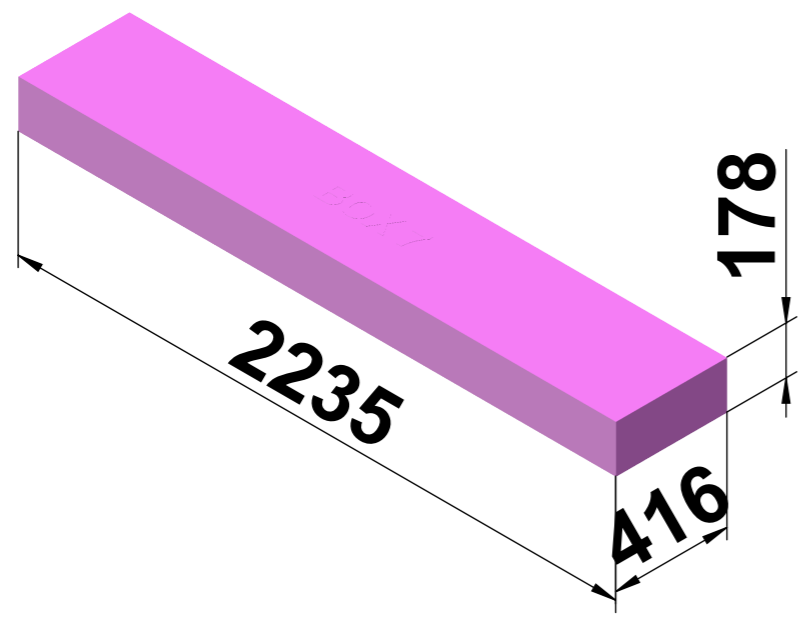
BOX 4 58.4 Kg



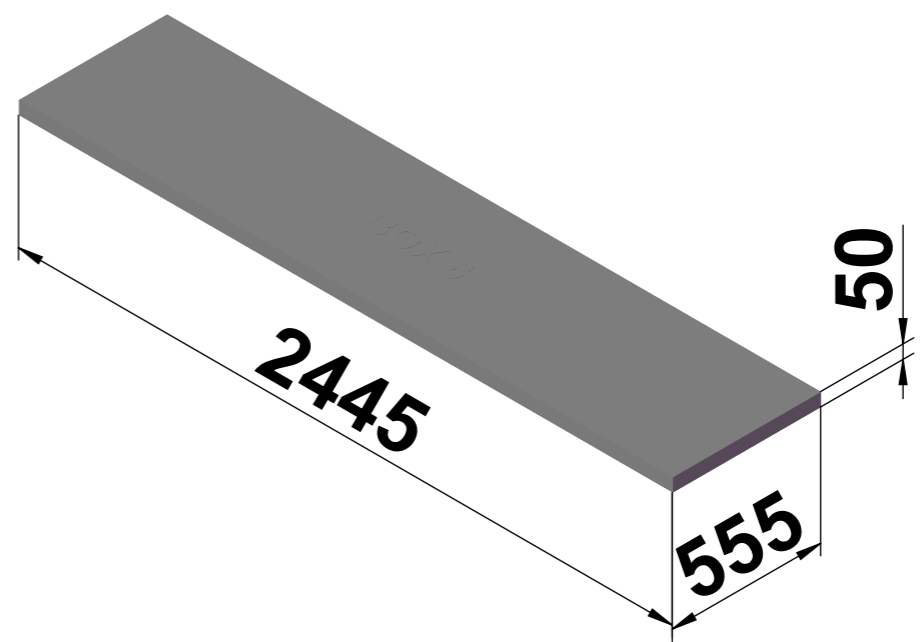
BOX 5 65.4 Kg



BOX 6 66.5 Kg



BOX 7 72.9 Kg



BOX 8 57.5 Kg