

1

2

3

4

D

D

C

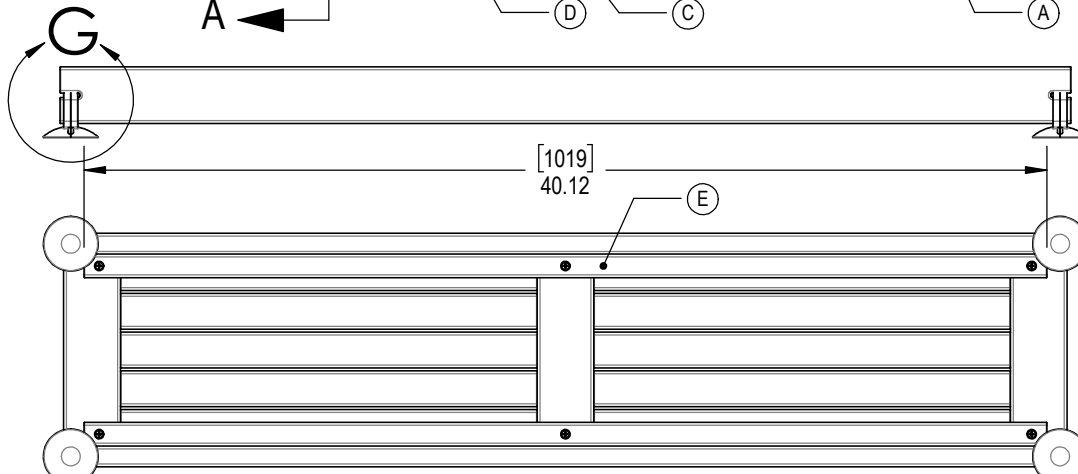
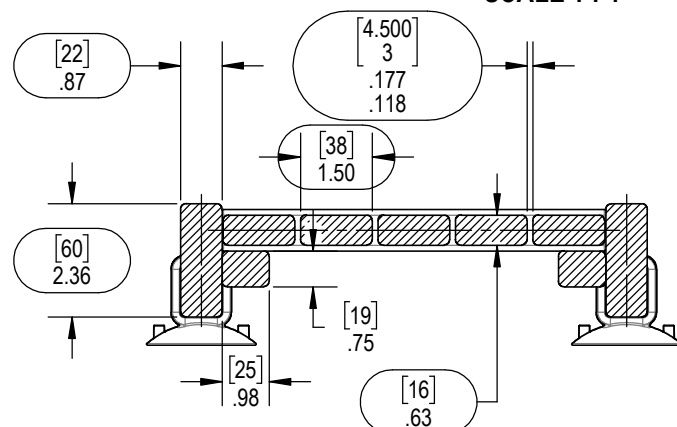
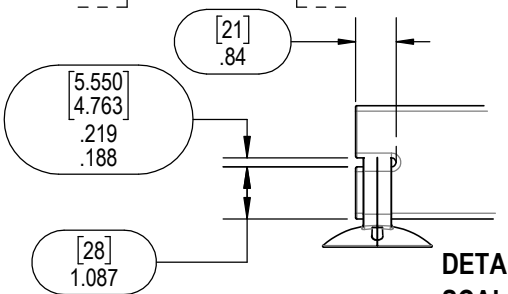
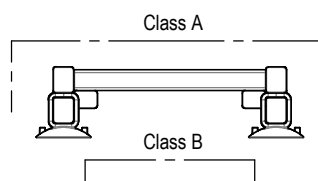
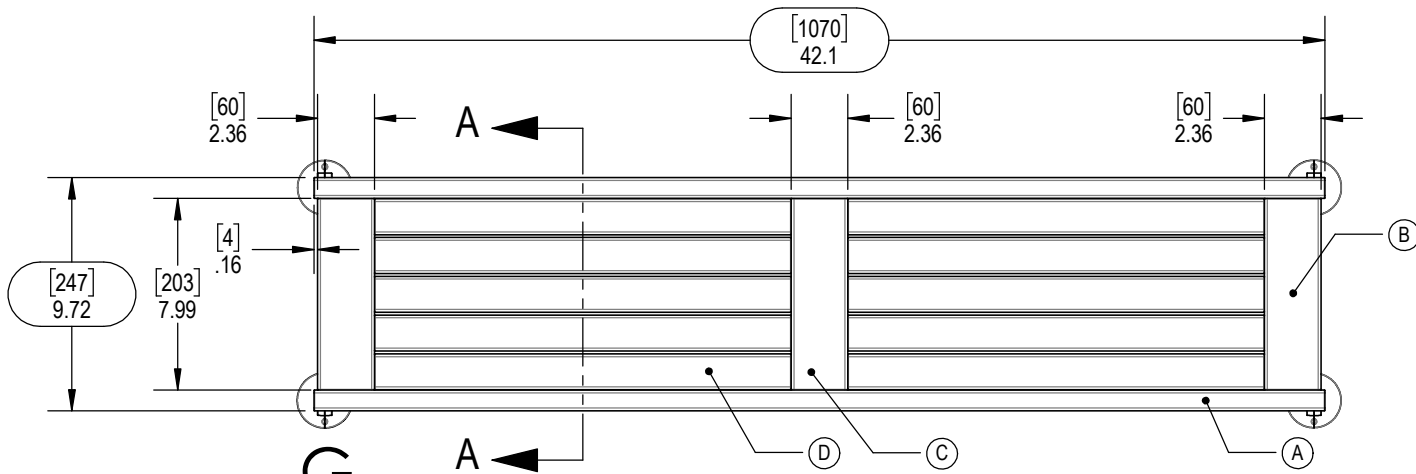
C

B

B

A

A



**Specifications:**

- As per [Spec M-63-Teak Wood Accesories](#)
- Packaging type A
- Color identified by 1xxxxxxx-185
- Dual dimensioning for reference only
- For missing dimensions or unmarked radius, refer to CAD file
- Material: Teak wood Grade B From Cambodia Certified FSC
- Finish: Natural Teak Oil
- Critical Dimensions
- All screw assemblies must have a minimum of 5/8" (16mm) insert into the part of the wood to be assembled.
- The non-flatness of the entire bench to the top surface with the outer limits, the difference must not be greater than 1/4" (6 mm).

**AMERICAN BATH GROUP**

REV	MODIFICATION DESCRIPTION	BY	DATE
07	Groove Dimension	SD	2024-09-24
06	Packaging	SD	2023-06-07
05	Metric	SD	2023-04-11
04	Added assembly dowels	SD	2023-04-06

GENERAL TOLERANCES (Unless otherwise specified)	
	$\pm 1/8$ $\pm 3$
X/X	$\pm 0.125$ $\pm 3$
X.XX	$\pm 0.06$ $\pm 1.5$
X.XXX	$\pm 0.031$ $\pm 0.79$
X.X**	$\pm 0.5^*$
Inch	Max. Radi $\pm 0.015$ $\pm 0.035$

<b>TITLE:</b> Shower Bench Removable 48 Teak - Spec Drawing		NAME	DATE
DRAWN BY		APPROVED BY	
SHEET 1 OF 5		FORMAT	A SCALE: 1:8
<b>DWG. # 10043853-185</b>		REV: 07	

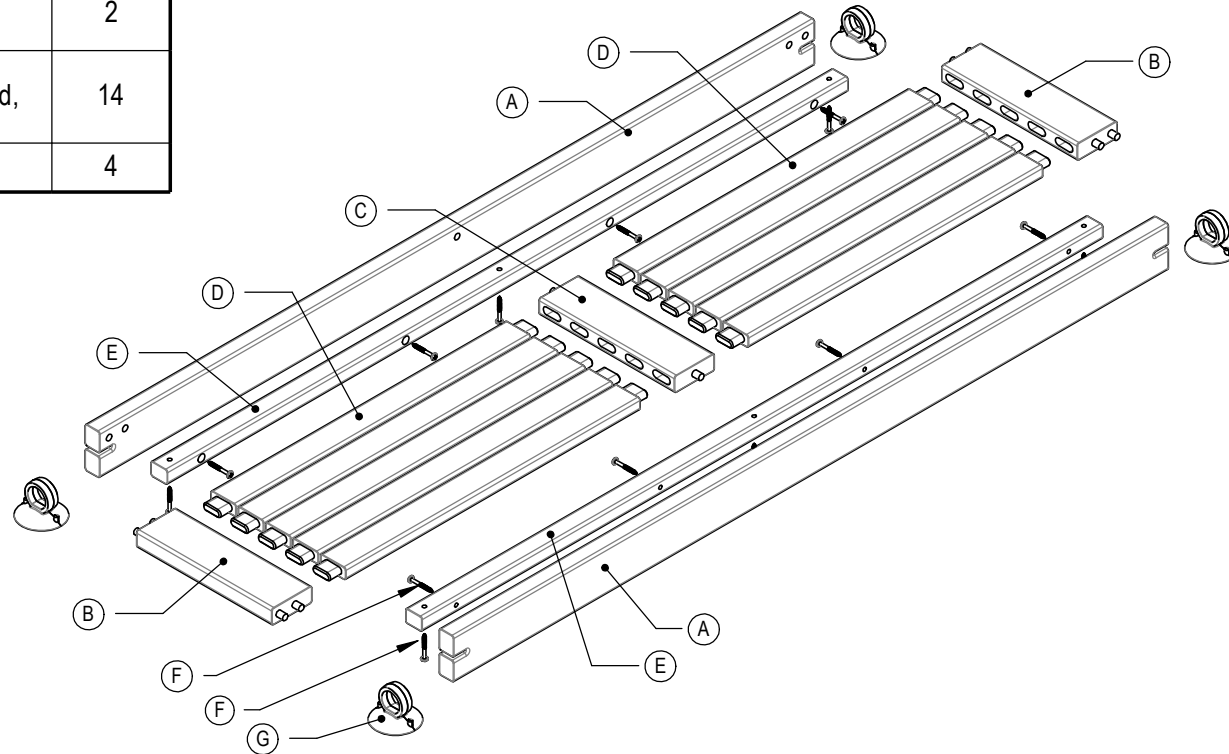
1

2

3

AMERICAN BATH GROUP, OU ENCORE L'UNE DE SES FILIALES, EST L'UNIQUE PROPRIÉTAIRE DE CE DOCUMENT ET DES INFORMATIONS CONFIDENTIELLES OÙ IL RENFERME. NUL NE PEUT EN FAIRE L'USAGE QUEL QU'EN SOIT L'OBJET. VISE, LES REPRODUIRE OU LES DIVULGUER, SANS LE CONSENTEMENT ÉCRIT, EXPLIÉTE DE MAX CORPORATION OU DE SA FILIALE APPROPRIÉE. THIS DOCUMENT AND THE INFORMATION IT CONTAINS ARE THE EXCLUSIVE PROPERTY OF AMERICAN BATH GROUP OR ANY OF ITS SUBSIDIARIES, AND ARE PROPRIETARY AND CONFIDENTIAL. NEITHER THIS DOCUMENT NOR ANY OF THE INFORMATION CONTAINED IN IT MAY BE USED FOR ANY PURPOSE, NOR REPRODUCED OR DISCLOSED BY YOU TO OTHERS, WITHOUT THE EXPRESS WRITTEN CONSENT OF MAX CORPORATION OR ITS APPROPRIATE SUBSIDIARY.

Ref.	Description	Quantity
A	Teak Part (Grade B)	2
B	Teak Part (Grade B)	2
C	Teak Part (Grade B)	1
D	Teak Part (Grade B)	10
E	Teak Part (Grade B)	2
F	316 Stainless Steel Screw for Plywood and OSB, Rounded Head, Number 8 Size, 1-1/4" Long	14
G	Suction-Cup 10045866	4



AMERICAN BATH GROUP				GENERAL TOLERANCES (Unless otherwise specified)		TITLE: Shower Bench Removable 48 Teak - Spec Drawing	
REV	MODIFICATION DESCRIPTION	BY	DATE			NAME	
07	Groove Dimension	SD	2024-09-24			DATE	
06	Packaging	SD	2023-06-07			DRAWN BY	
05	Metric	SD	2023-04-11			APPROVED BY	
04	Added assembly dowels	SD	2023-04-06			SHEET 2 OF 5	
				DWG. # 10043853-185		SCALE: 1:8	
						REV: 07	

AMERICAN BATH GROUP, OU ENCORE L'UNE DE SES FILIALES, EST L'UNIQUE PROPRIÉTAIRE DE CE DOCUMENT ET DES INFORMATIONS CONFIDENTIELLES QUI LE RENFERME. NUL NE PEUT EN FAIRE L'USAGE QUEL QU'EN SOIT L'OBJET. VISE, LES REPRODUCTIONS OU LES DIVULGUER. SANS LE  
 CONSENTEMENT ÉCRIT EXPLICITE DE MAX CORPORATION OU DE SA FILIALE APPROPRIÉE, THIS DOCUMENT AND THE INFORMATION IT CONTAINS ARE THE EXCLUSIVE PROPERTY OF AMERICAN BATH GROUP OR ANY OF ITS SUBSIDIARIES, AND ARE PROPRIETARY AND CONFIDENTIAL. NEITHER THIS  
 DOCUMENT NOR ANY OF THE INFORMATION CONTAINED IN IT MAY BE USED FOR ANY PURPOSE, NOR REPRODUCED OR DISCLOSED BY YOU TO OTHERS, WITHOUT THE EXPRESS WRITTEN CONSENT OF MAX CORPORATION OR ITS APPROPRIATE SUBSIDIARY.

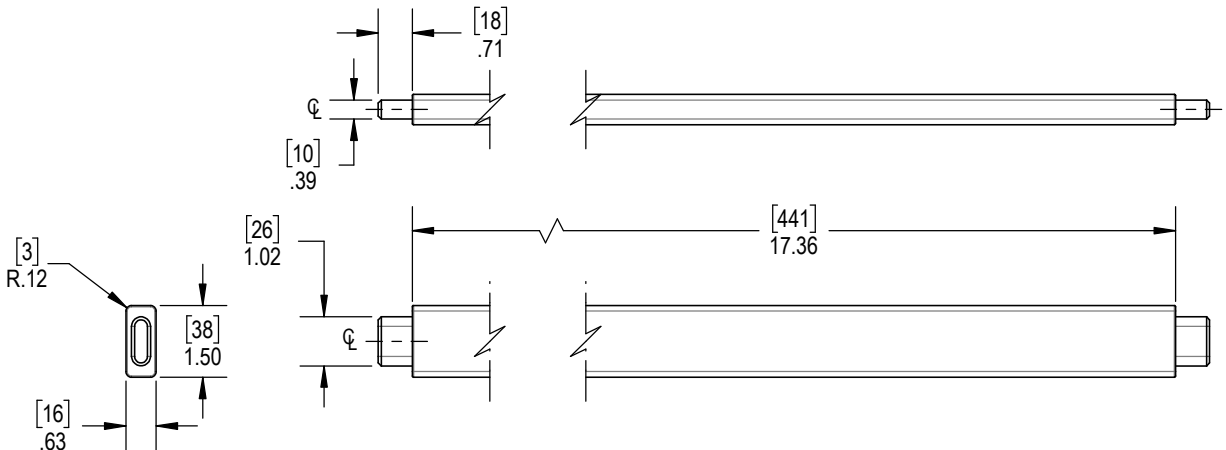


D

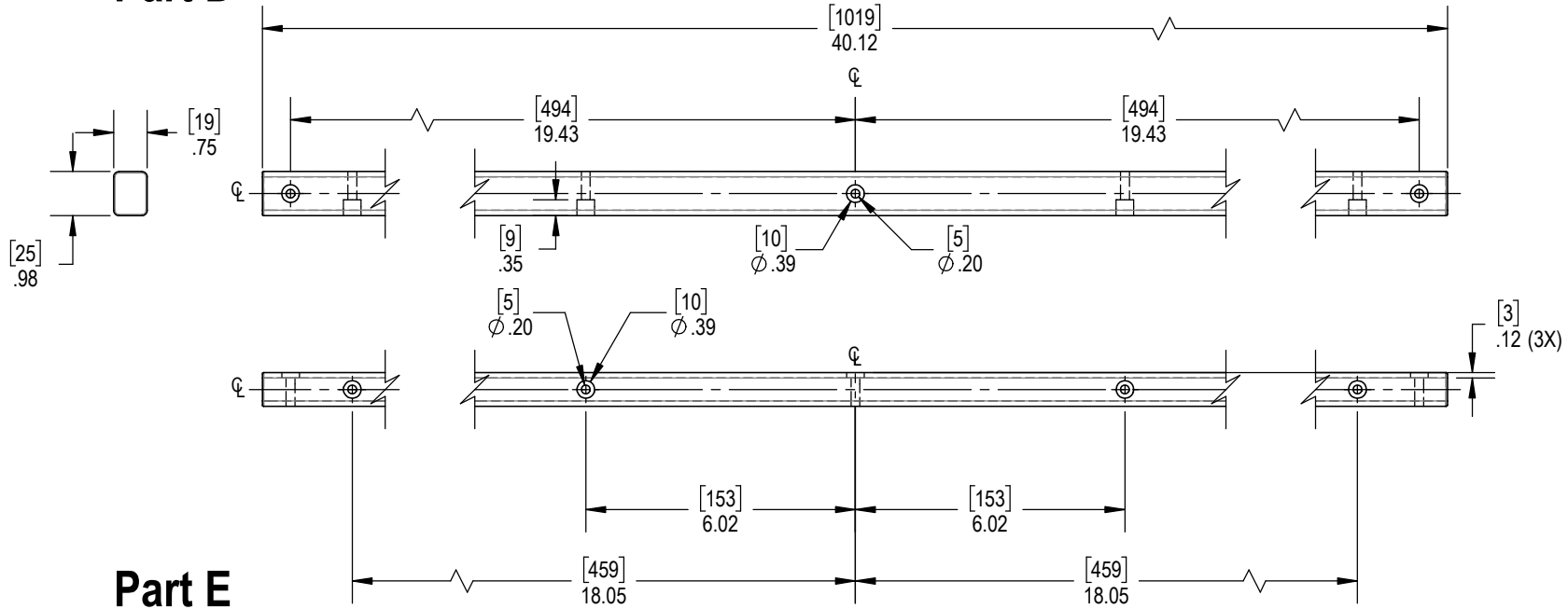
C

B


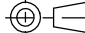
A



**Part D**



**Part E**

AMERICAN  BATH GROUP						TITLE: Shower Bench Removable 48 Teak - Spec Drawing	
REV	MODIFICATION DESCRIPTION	BY	DATE	GENERAL TOLERANCES (Unless otherwise specified)		DRAWN BY	
07	Groove Dimension	SD	2024-09-24	<small>Only electronic version of this document is controlled.</small> X/X IN ±1/8 ±3 X.X ±0.125 ±3 X.XX ±0.06 ±1.5 X.XXX ±0.031 ±0.79 X.X* ±0.5* Max. Radi ±0.015 ±0.035		NAME	
06	Packaging	SD	2023-06-07	UNIT OF MEASURE:		DATE	
05	Metric	SD	2023-04-11	Inch		APPROVED BY	
04	Added assembly dowels	SD	2023-04-06	<b>DWG. # 10043853-185</b>		SHEET 4 OF 5    FORMAT <b>A</b> SCALE: <b>1:4</b>	
						REV: <b>07</b>	

AMERICAN BATH GROUP, OU ENCORE L'UNE DE SES FILIALES, EST L'UNIQUE PROPRIÉTAIRE DE CE DOCUMENT ET DES INFORMATIONS CONFIDENTIELLES QUI LE RENFERME. NUL NE PEUT EN FAIRE L'USAGE QUEL QU'EN SOIT L'OBJET. VISE LES REPRODUCTIONS OU LES DIVULGUER. SANS LE CONSENTEMENT ÉCRIT EXPlicITE DE MAX CORPORATION OU DE SA FILIALE APPROPRIÉE, CE DOCUMENT ET LES INFORMATIONS QUI LE CONTIENNENT SONT LA PROPRIÉTÉ EXCLUSIVE D'AMERICAN BATH GROUP OU D'UN DE SES FILIALES. LE CONSENTEMENT ÉCRIT EXPlicITE DE MAX CORPORATION POUR SA REPRODUCTION OU SA DIVULGATION NE PEUT ÊTRE OBTENU NI ÊTRE ACCORDÉ. CE DOCUMENT NE PEUT ÊTRE REPRODUIT NI DIVULGUÉ À UN TIERS, SANS LE CONSENTEMENT ÉCRIT EXPlicITE DE MAX CORPORATION.

1

2

3

4

D

D

C

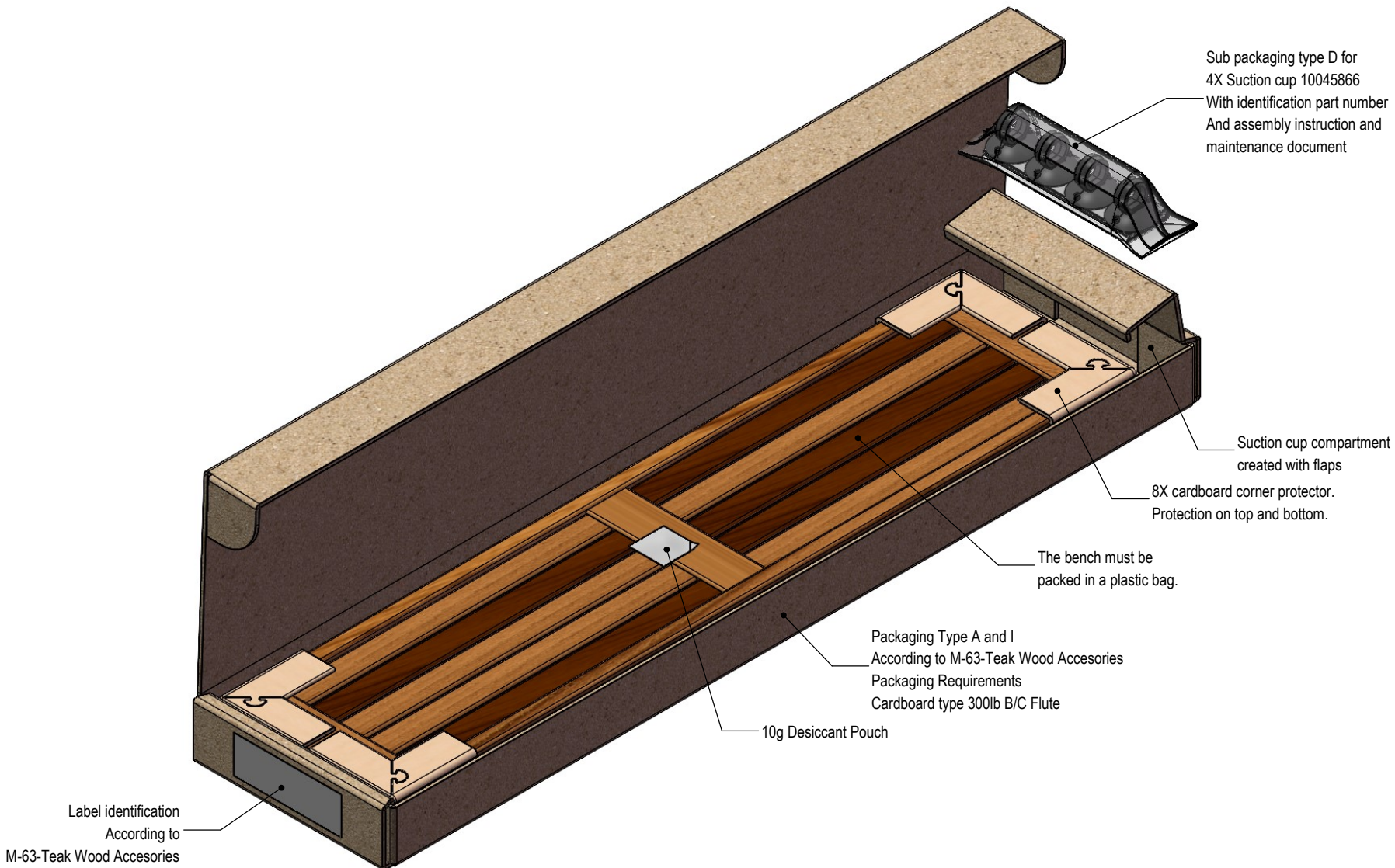
C

B


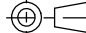
B

A

A



# Packaging

AMERICAN  BATH GROUP				 GENERAL TOLERANCES (Unless otherwise specified)		TITLE: Shower Bench Removable 48 Teak - Spec Drawing	
REV	MODIFICATION DESCRIPTION	BY	DATE	<small>Only electronic version of this document is controlled.</small> X/X     IN     ±1/8     ±3 X.X     ±0.125     ±3 X.XX     ±0.06     ±1.5 X.XXX     ±0.031     ±0.79 X.X*     ±0.5*	NAME DATE	DRAWN BY	
07	Groove Dimension	SD	2024-09-24			APPROVED BY	
06	Packaging	SD	2023-06-07	UNIT OF MEASURE: Inch     Max. Radi ±0.015 ±0.035	SHEET 5 OF 5		
05	Metric	SD	2023-04-11		FORMAT	A	SCALE: 1:12
04	Added assembly dowels	SD	2023-04-06		<b>DWG. # 10043853-185</b>		REV: 07

1

2

3

AMERICAN BATH GROUP, OU ENCORE L'UNE DE SES FILIALES, EST L'UNIQUE PROPRIETAIRE DE CE DOCUMENT ET DES INFORMATIONS CONFIDENTIELLES QUI LE RENFERME. NUL NE PEUT EN FAIRE L'USAGE QUEL QU'EN SOIT L'OBJET. VISE, LES REPRODUIRE OU LES DIVULGUER, SANS LE CONSENTEMENT ECRIT EXPLICITE DE MAX CORPORATION OU DE SA FILIALE APPROPRIEE. THIS DOCUMENT AND THE INFORMATION IT CONTAINS ARE THE EXCLUSIVE PROPERTY OF AMERICAN BATH GROUP OR ANY OF ITS SUBSIDIARIES, AND ARE PROPRIETARY AND CONFIDENTIAL. NEITHER THIS DOCUMENT NOR ANY OF THE INFORMATION CONTAINED IN IT MAY BE USED FOR ANY PURPOSE, NOR REPRODUCED OR DISCLOSED BY YOU TO OTHERS, WITHOUT THE EXPRESS WRITTEN CONSENT OF MAX CORPORATION OR ITS APPROPRIATE SUBSIDIARY.