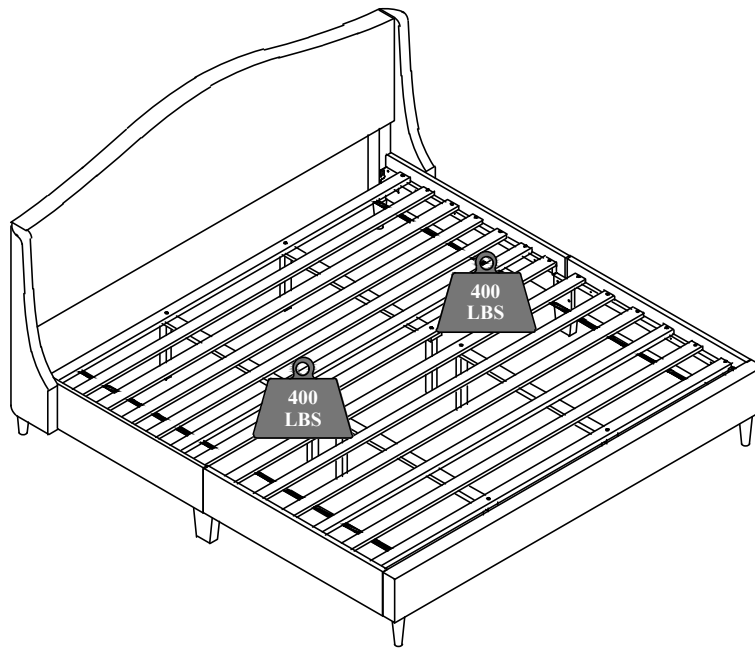


UPHOLSTERED PLATFORM BED



196861065477
196861066795
196861133794



ASSEMBLY INSTRUCTIONS

Before You Begin: Phillips screwdriver required (Not Included).

Please identify all component parts and hardware pieces required before you begin. Carefully remove all of the components from the packaging and set aside for assembly. Assemble on a soft surface to prevent scratching during assembly.

Caution:

Tighten all components securely before use. Failure to do so may result in personal injury.

DO NOT use any sharp objects to open plastic wrapped components as damage to product or components may result.

Warning:

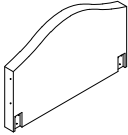
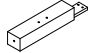
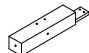
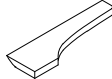
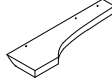
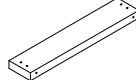
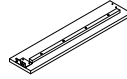
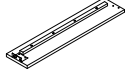
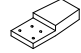

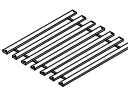
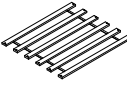
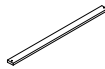
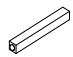






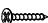

CHOKING HAZARD - Small Parts. Adult Assembly Required.

DO NOT ALLOW CHILDREN TO CLIMB ON FURNITURE

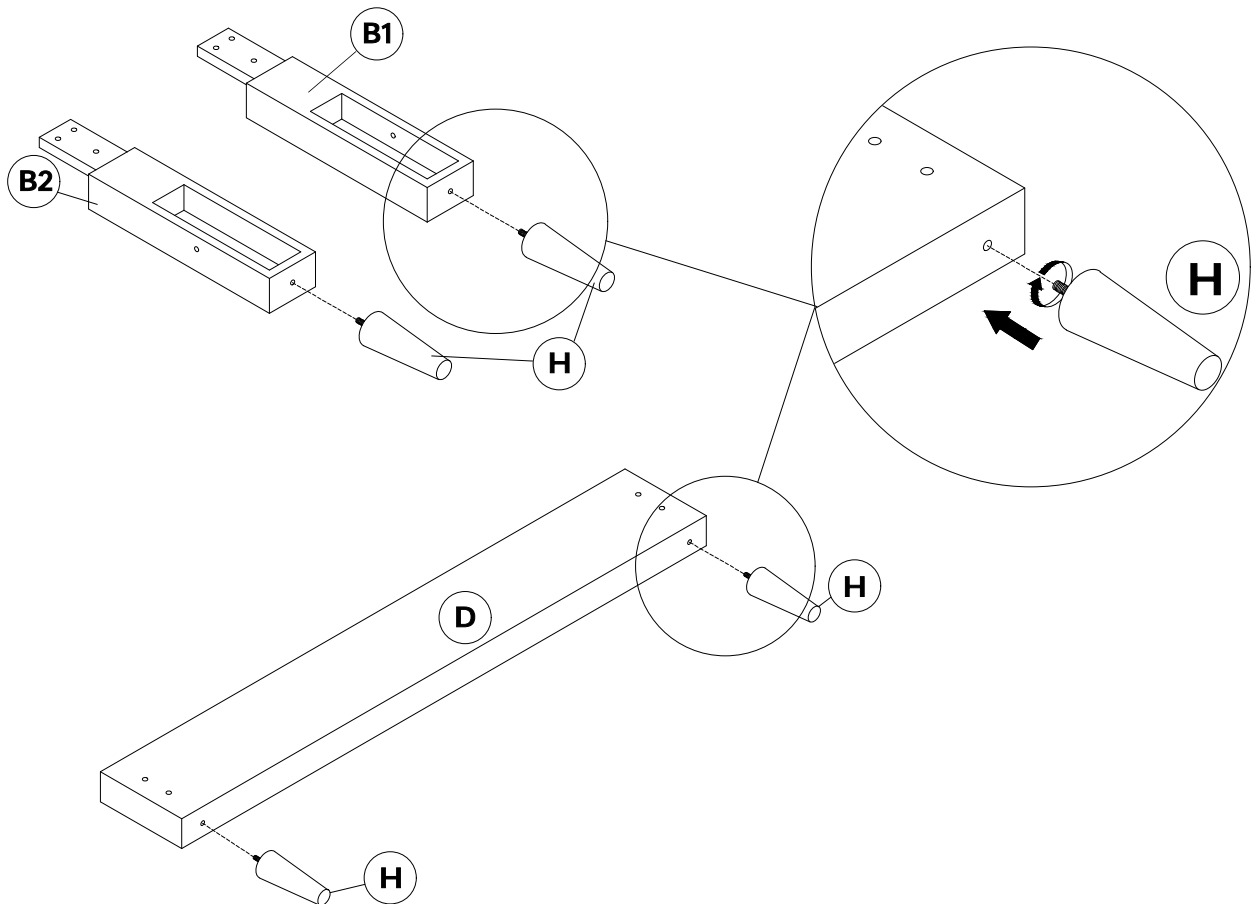
Serious or fatal injuries can occur from furniture tipping over. You must install Tipping Restraint Hardware (where included) to help prevent the unit from tipping and causing accidental injury, instability, death or damage. The tipping restraint is intended only as a safety measure, it is not a substitute for proper adult supervision.

To help prevent furniture from tipping over it must be permanently attached to the wall. Anti-Tip Safety Wall Straps suitable for the unit weight and wall materials (if not included) should be purchased and installed.

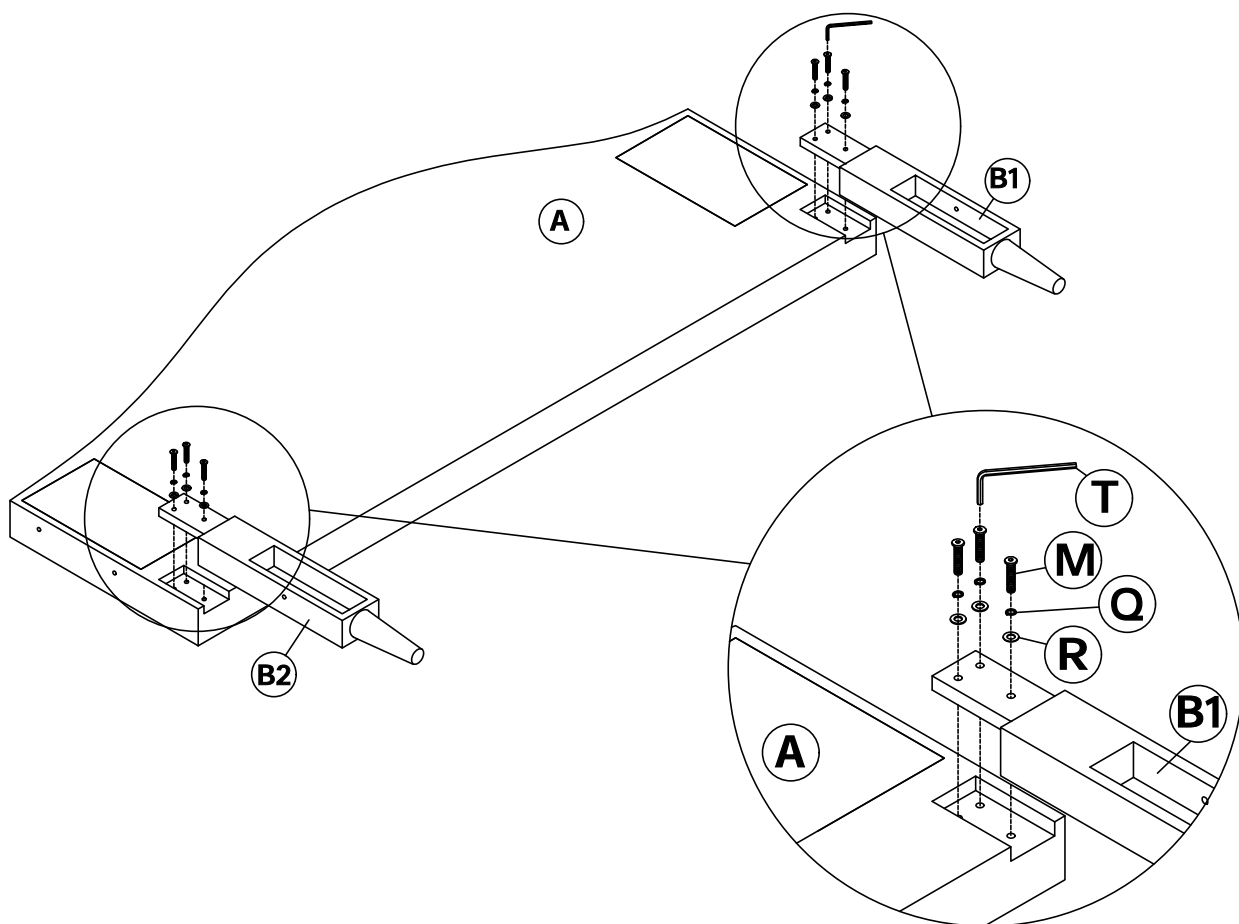
PARTS

A Headboard Panel  1pc	B1 Headboard Legs Extension (Left)  1pc	B2 Headboard Legs Extension (Right)  1pc	C1 Headboard Wings (Left)  1pc	C2 Headboard Wings (Right)  1pc	D Footboard Panel  1pc	E Side Rails  2pcs	F Side Rails  2pcs	G Side Rails Legs  2pcs	H Wood Legs  4pcs
I Slats 1  1set	J Slats 2  1set	K Support Slats  4pcs	L Support Legs  8pcs	M Allen Bolts 5/16" x 35mm  12pcs	N Allen Bolts 5/16" x 25mm  8pcs	O Allen Bolts 1/4" x 50mm  8pcs	P Allen Bolts 1/4" x 35mm  8pcs	Q 5/16" Spring Washer  20pcs	R 5/16" Flat Washer  28pcs
S Wood Screw  26pcs	T Allen Wrench  1pc								

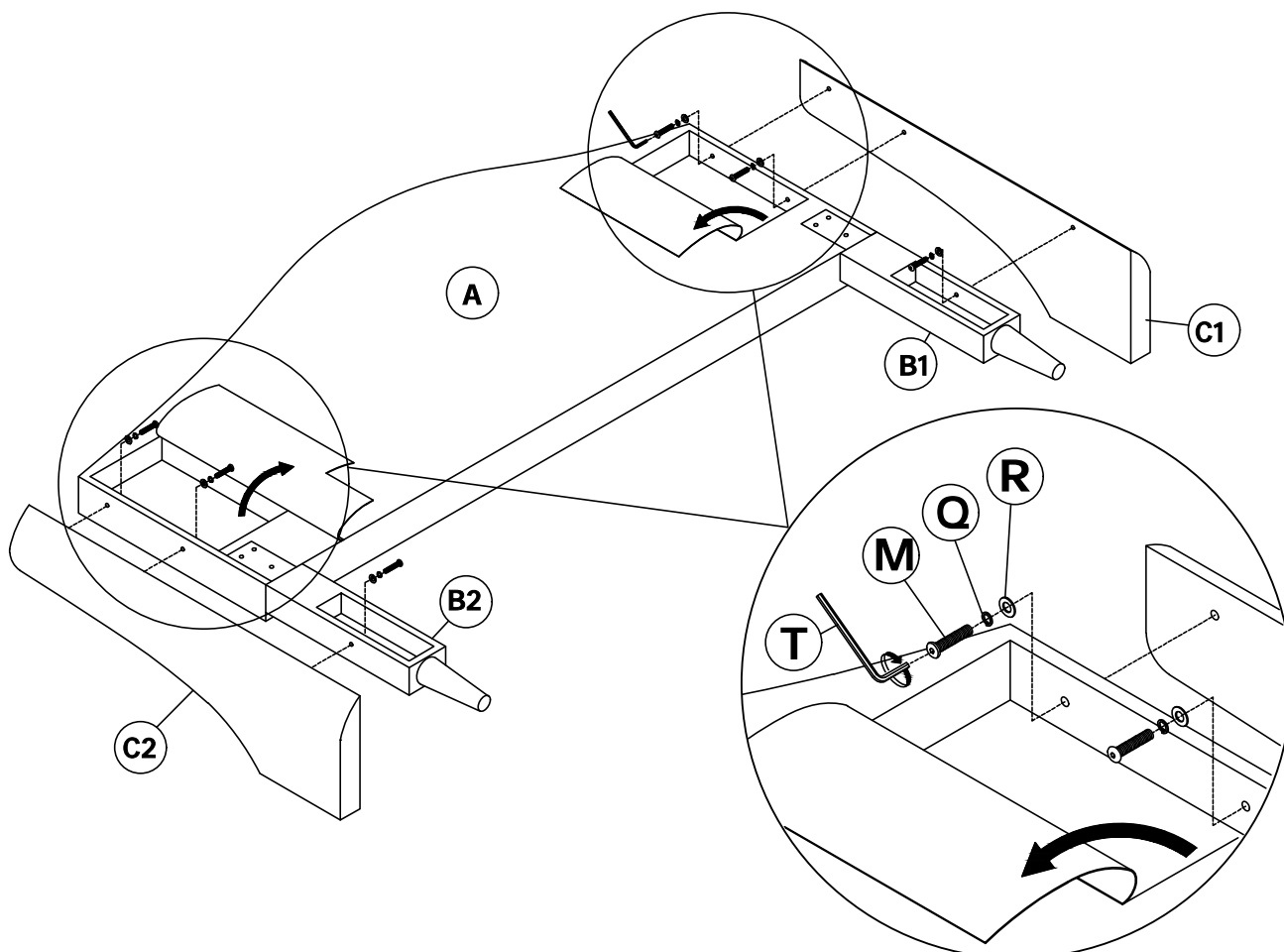
STEP 1



STEP 2

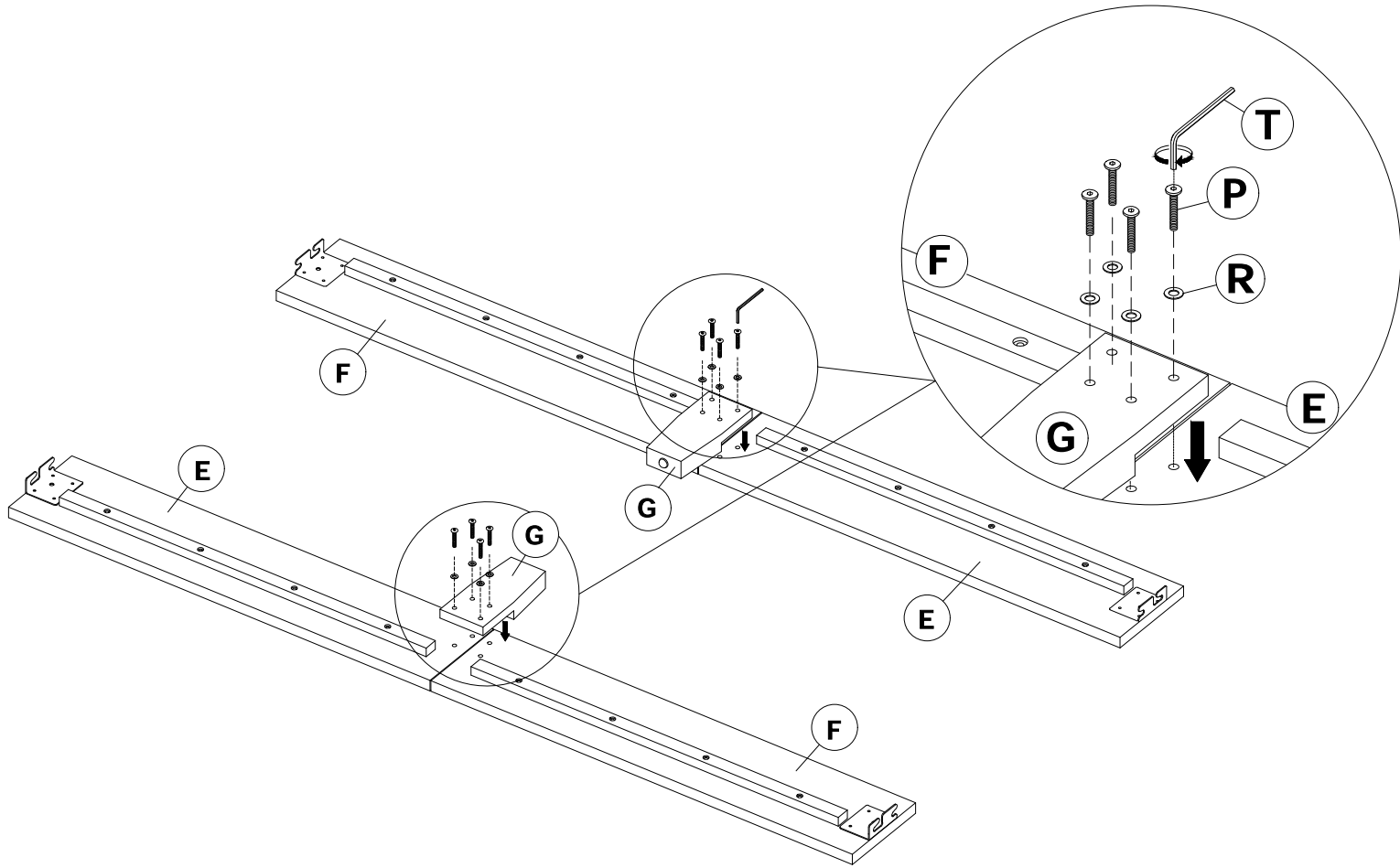


STEP 3

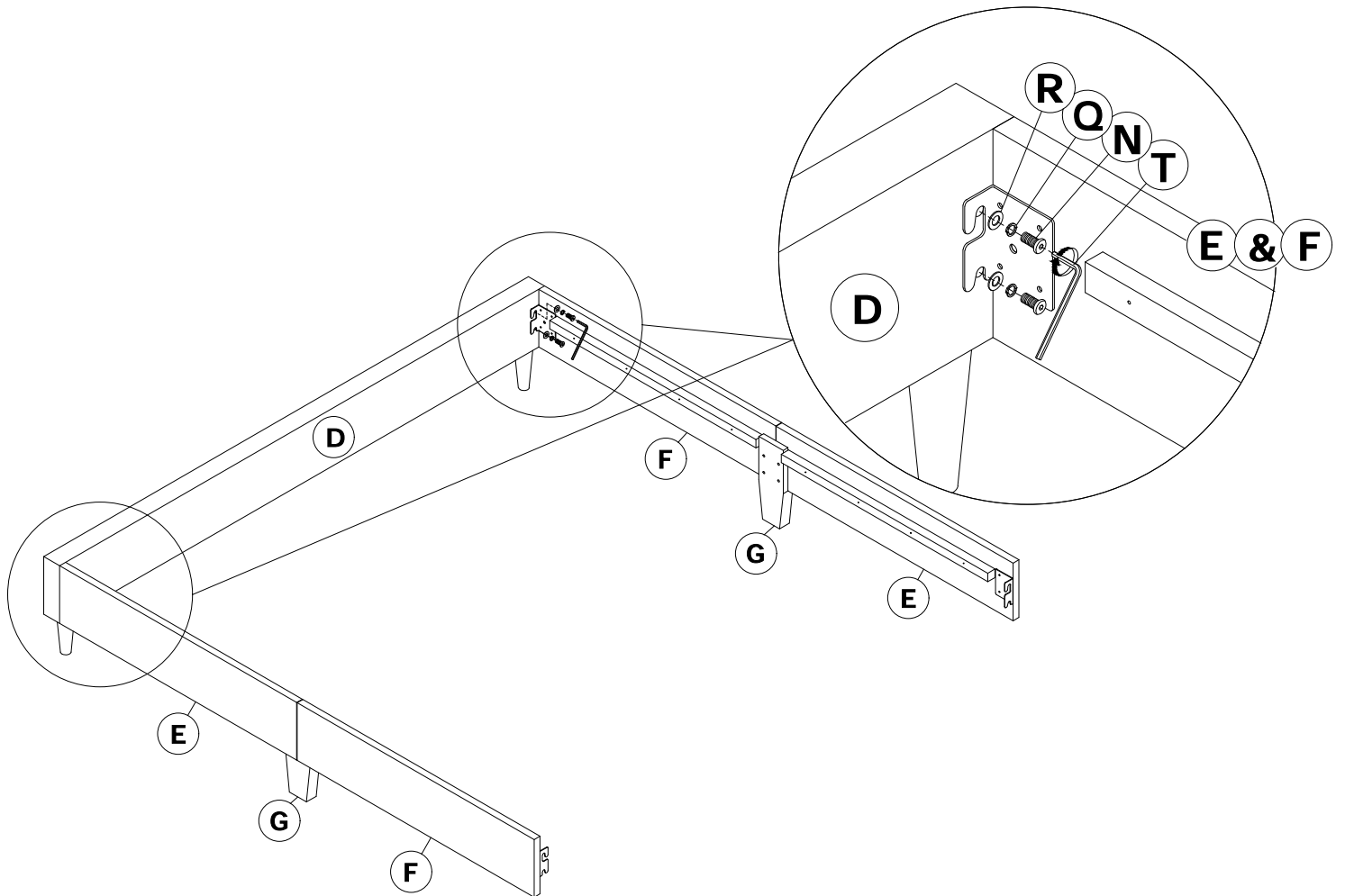


NOTE: Do not fully tighten the bolts until all bolts are inserted.

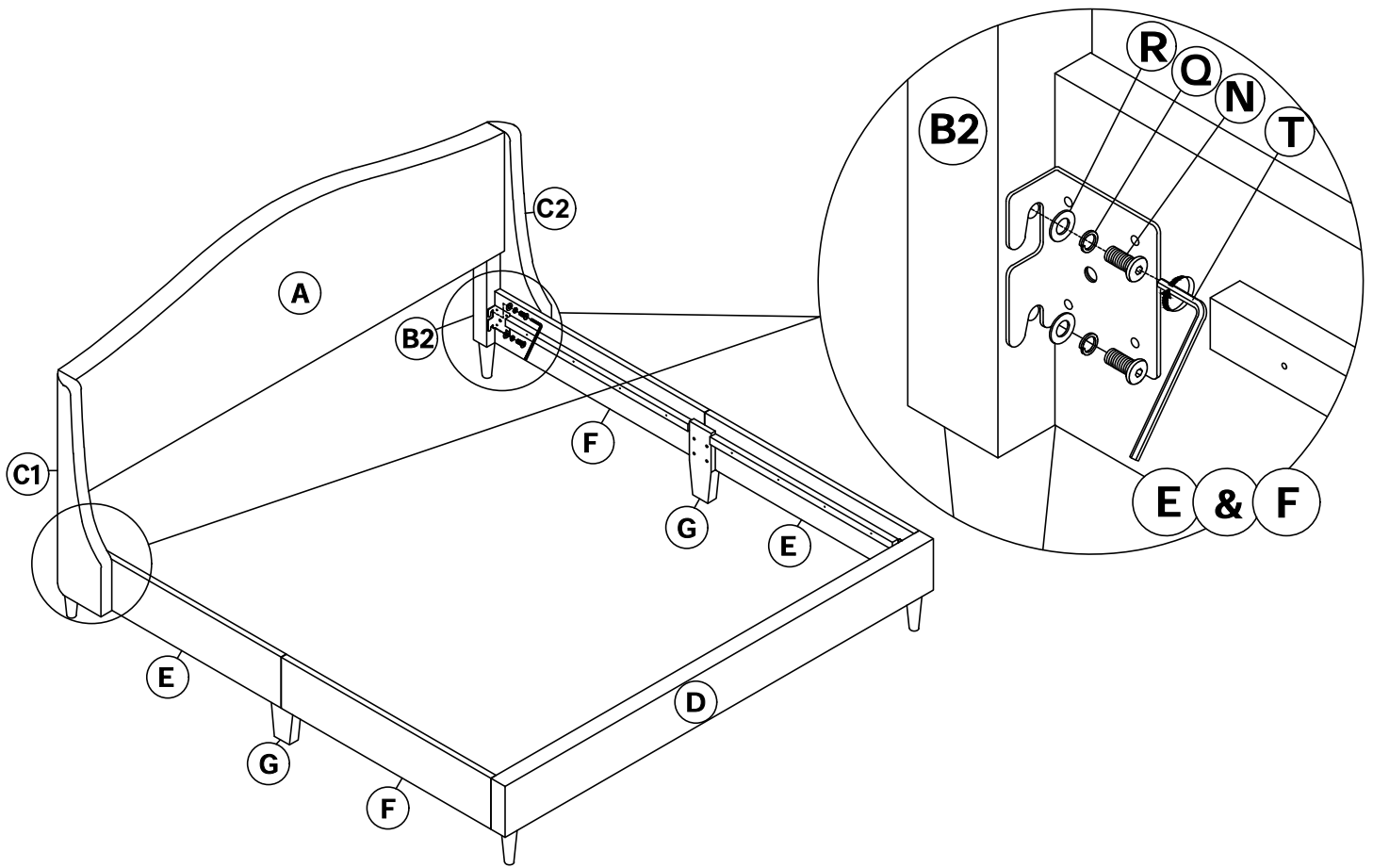
STEP 4



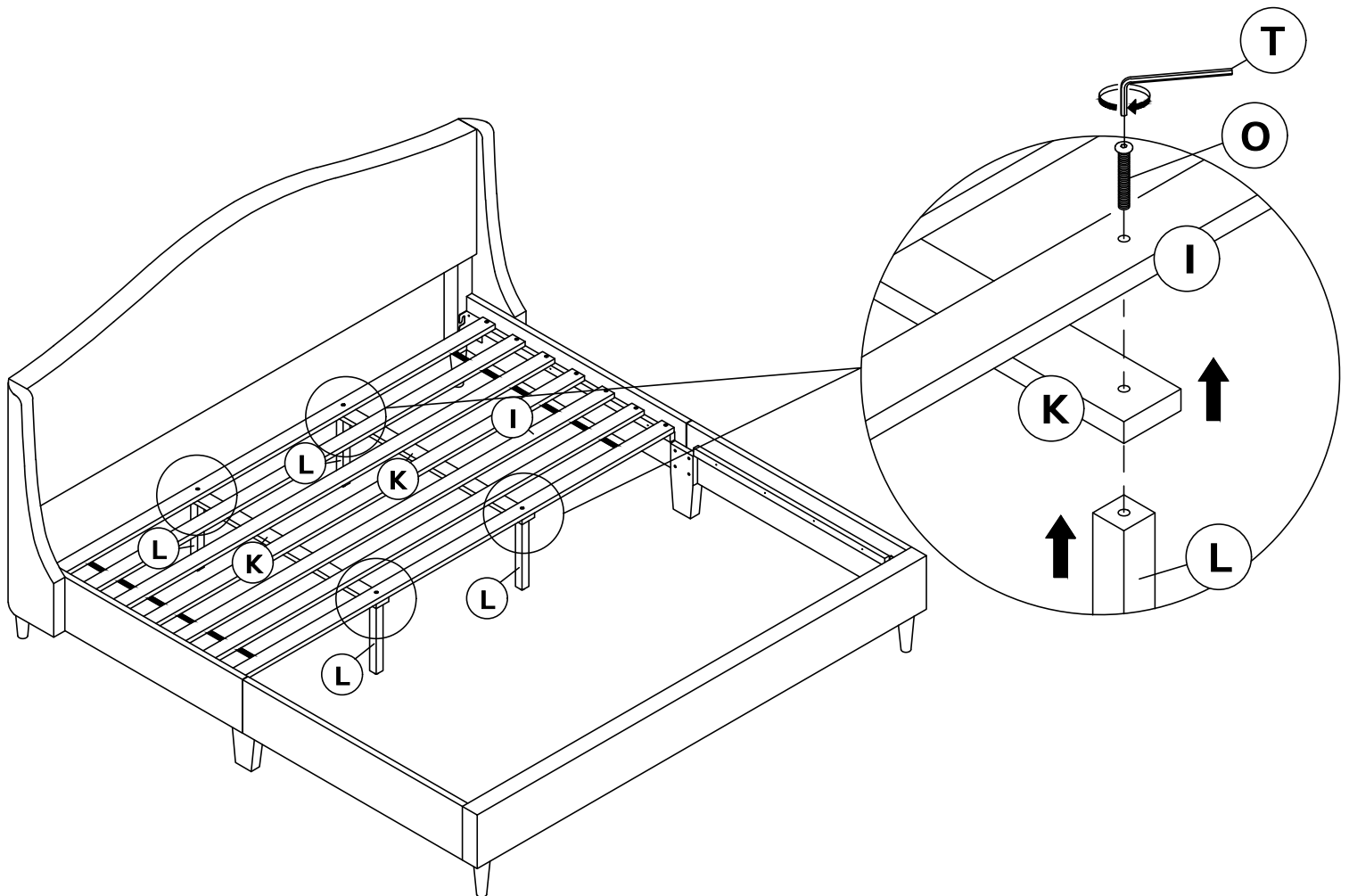
STEP 5



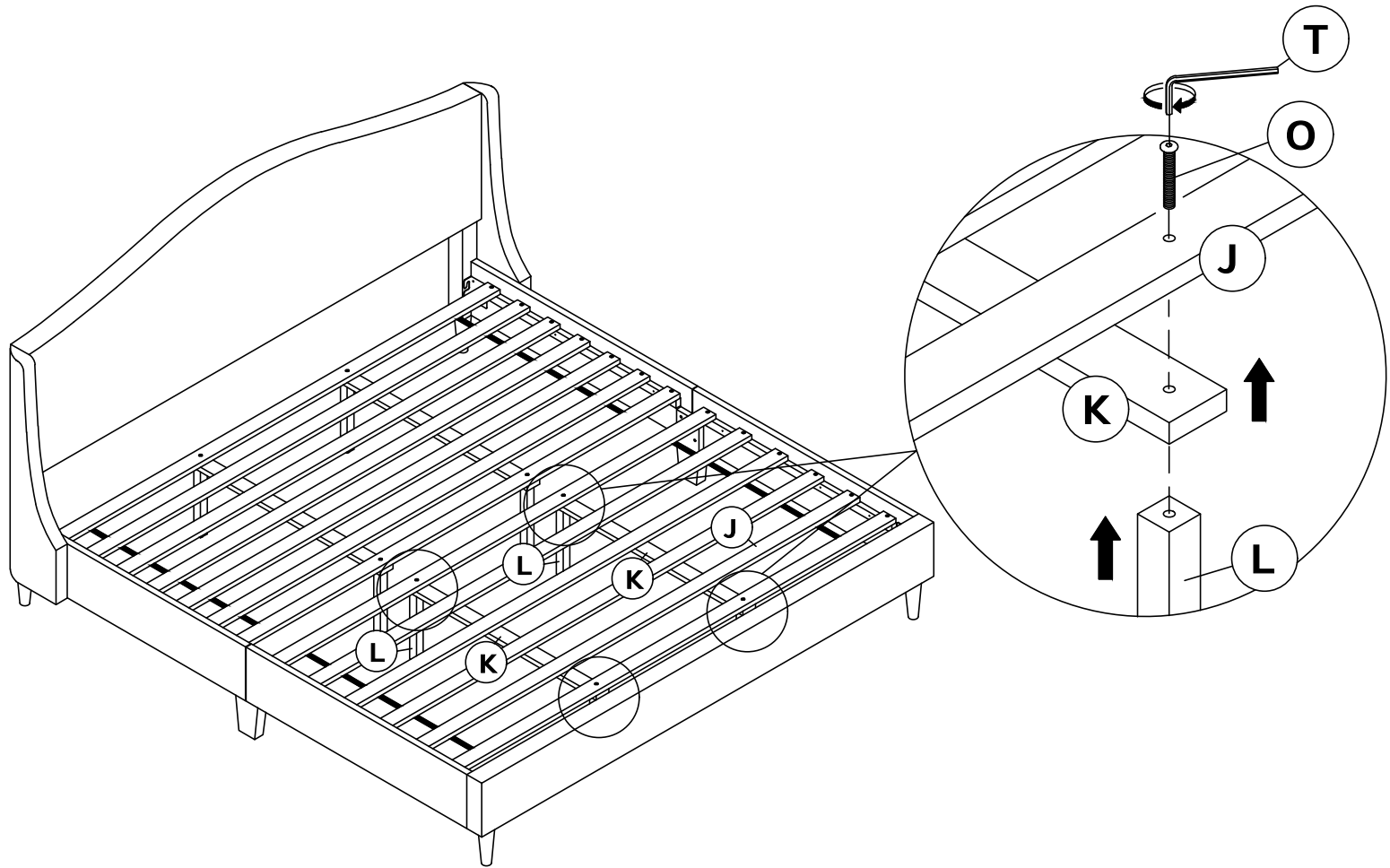
STEP 6



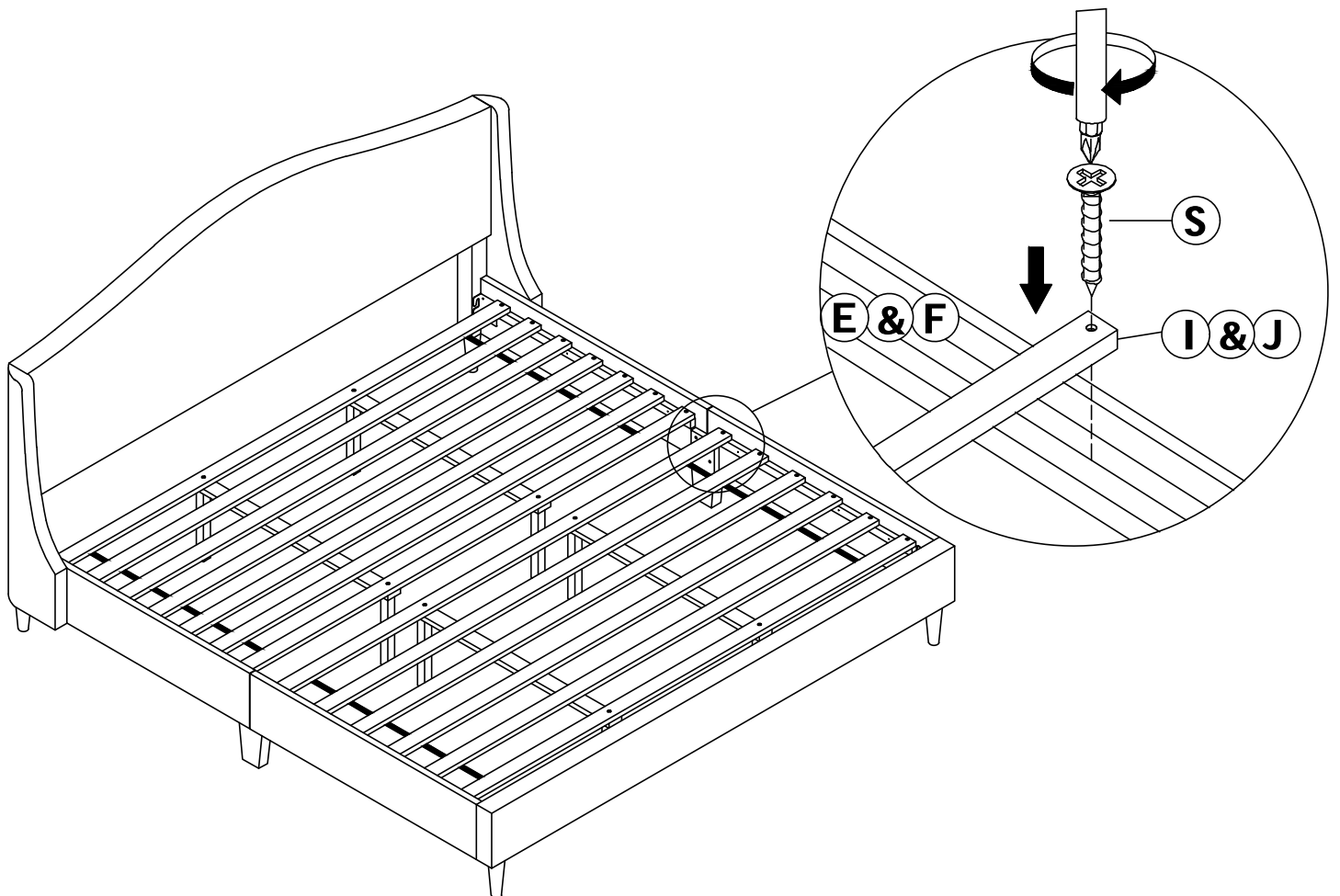
STEP 7



STEP 8



STEP 9



Quality and Safety Guidelines

- Please use this item on a stable, level surface only. If any of the legs of this product are not contacting the flooring surface, do not use. Do not use this item if any instability is detected.
- Carefully follow all of the assembly instructions. If all of the parts are not provided, please do not use this item. Please email us at customerexperience@theubiquegroup.com or call 866-552-2810 for assembly instructions.
- This item is intended for indoor use. Store indoors also.
- Do not drag or slide the bed frame when repositioning it. Team lift the bed frame and move it carefully without sliding the legs in any manner.
- This item is intended for lying down. Do not jump, climb or stand on this item.
- Do not use this bed with infants or Children under 12 years old.
- For product longevity, product safety and product integrity, please email us at customerexperience@theubiquegroup.com or call 866-552-2810 for storage instructions.
- Please visit www.theubiquegroup.com for our product warranty details or email us at customerexperience@theubiquegroup.com or call 866-552-2810.
- For maintenance instructions and replacement parts, please email us at customerexperience@theubiquegroup.com or call 866-552-2810.
- Please follow the static and dynamic weight capacity limits provided on this item. If you are unsure of the weight capacities for this product, email us at customerexperience@theubiquegroup.com or call 866-552-2810.
- Please inspect this product regularly to make sure there are no damaged or worn parts. Also inspect to make sure all hardware is tightened correctly and securely. For inspection instructions, please email us at customerexperience@theubiquegroup.com or call 866-552-2810.
- If any parts are damaged or worn, please stop using the product. Repair this product with manufacturer supplied parts only.

TO REGISTER FOR THE WARRANTY, SCAN THE QR CODE BELOW:

