

Thank you for your purchase!



Table and Chair Set

ASSEMBLY INSTRUCTIONS

Before You Begin: Note: Drill and hex bit may be required for assembly.

Please identify all component parts and hardware pieces required before you begin. Carefully remove all components from the packaging and set aside for assembly. Assemble on a soft surface to prevent scratching during assembly.

Caution:

Tighten all components securely before use. Failure to do so may result in personal injury. DO NOT use any sharp objects to open plastic wrapped components as damage to product or components may result.

Warning:

CHOKING HAZARD - Small Parts. Adult Assembly Required.

DO NOT ALLOW CHILDREN TO CLIMB ON FURNITURE

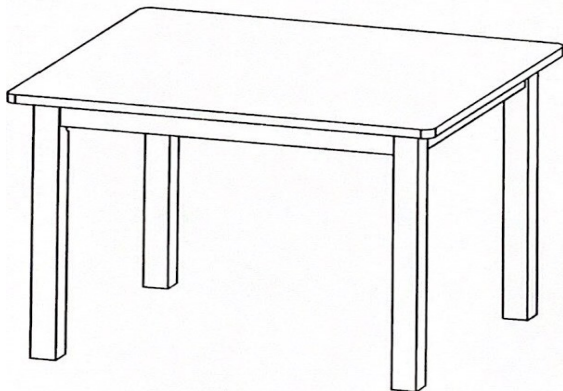
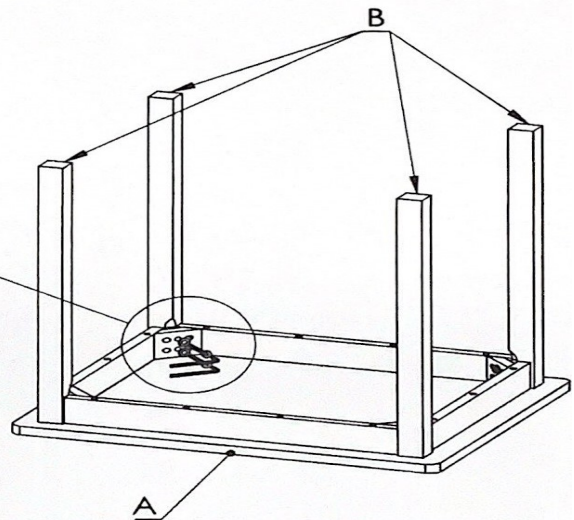
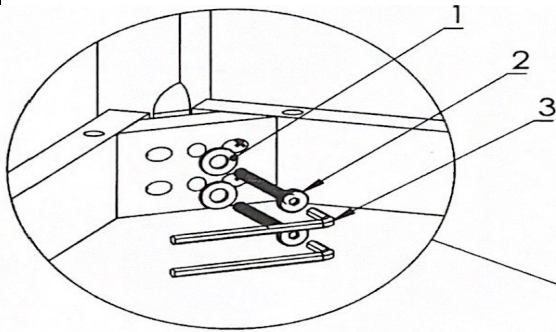
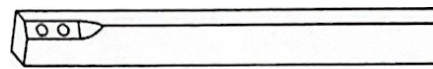
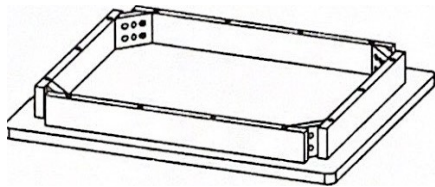
Online Assembly Instructions: <http://ftp.flashfurniture.com/AssemblyInstructions/TW-WTCS-1001-WH-GG.pdf>

Customer Service email: CustomerExperience@belnick.com | Phone: 866-552-2810

TW-WTCS-1001-GRY-GG / TW-WTCS-1001-NAT-GG / TW-WTCS-1001-WH-GG



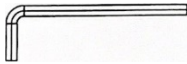
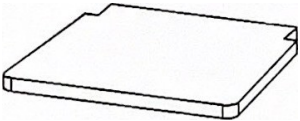
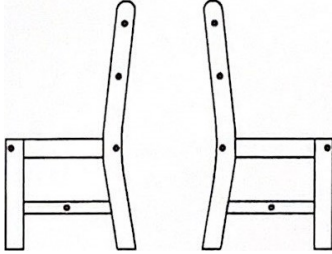
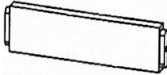
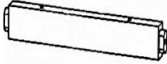

TABLE ASSEMBLY INSTRUCTIONS

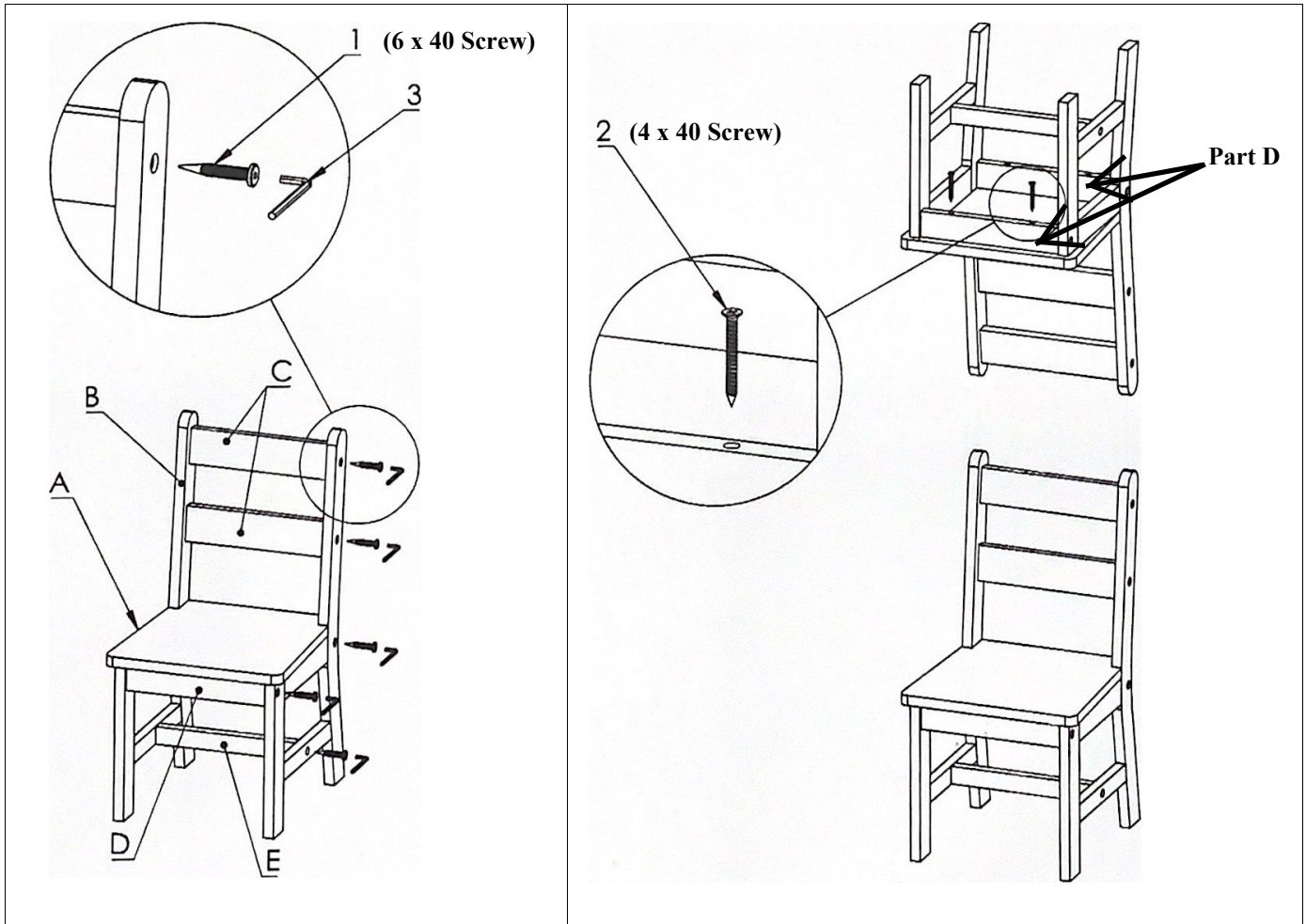
NO	NAME OF HARDWARE		QTY
1	WASHER	6 X 16	8
2	BOLT	Mb X 50	8
3	ALLEN KEY		1



DO NOT TIGHTEN SCREWS BEFORE COMPLETELY ASSEMBLED

CHAIR ASSEMBLY INSTRUCTIONS

NO	NAME OF HARDWARE			QTY
1	SCREW	6 x 40		20
2	SCREW	4 x 40		8
3	ALLEN KEY			1
 A X 2		 B X 4		<p>C  60 mm X 4</p> <p>D  45 mm X 4</p> <p>E  30 mm X 2</p>



DO NOT TIGHTEN SCREWS BEFORE COMPLETELY ASSEMBLED