



*Chrome Hardware Finish Shown

CHARISMA

Specification Features

- CHARISMA SHOWER DOOR AND SLIMLINE SHOWER BASE
- 5/16 IN. (8MM) THICK CERTIFIED CLEAR TEMPERED GLASS
- NO ADJUSTMENT FOR OUT-OF-PLUMB (UNEVEN) WALLS
- 2 CONVENIENT TOWEL BARS ON EACH PANEL
- SLIMLINE SHOWER BASE: LOW PROFILE THRESHOLD DESIGN
- SLIP-RESISTANT TEXTURED FLOOR PATTERN
- GLOSSY ACRYLIC FINISH IS SCRATCH AND STAIN RESISTANT



Technical Information

- Model: Charisma
- Door Type: Bypass Sliding Shower Door
- Kit Dimensions: 30" D X 60" W X 78 3/4" H
- Product Width: 60"
- Product Depth: 30"
- Access Width Max: 28 3/4"
- Access Width Min: 24 3/4"
- Glass Thickness: 5/16 in. (8mm)
- Glass Type: Clear
- Base Color: Biscuit

Codes/Standards Applicable

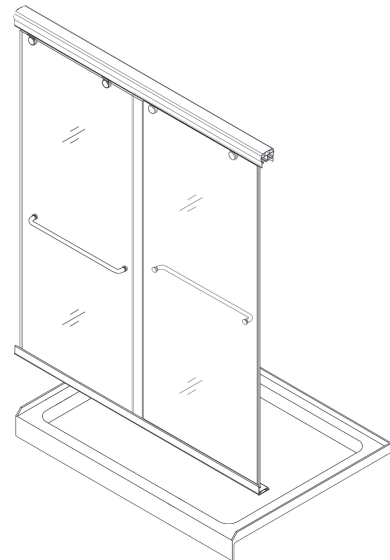
- ANSI Z97.1 (Tempered Glass)
- 16 CFR Part 1201
- cUPC Certified Base

Hardware Finish Options:

-  01 - Chrome Finish
-  04 - Brushed Nickel

Model SKU#s:

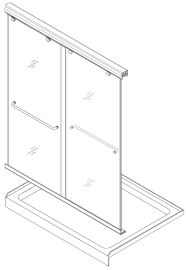
- DL-6940C-22-01 Center Drain Kit
- DL-6940C-22-04 Center Drain Kit
- DL-6940L-22-01 Left Drain Kit
- DL-6940L-22-04 Left Drain Kit
- DL-6940R-22-01 Right Drain Kit
- DL-6940R-22-04 Right Drain Kit



Available Product Configurations:

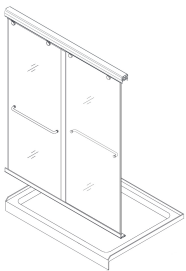
Important Notes:

30" D x 60" W Shower Door + Base Kit



Model #s:	
DL-6940C-01CL	Center Drain White Base Kit
DL-6940C-04CL	Center Drain White Base Kit
DL-6940L-01CL	Left Drain White Base Kit
DL-6940L-04CL	Left Drain White Base Kit
DL-6940R-01CL	Right Drain White Base Kit
DL-6940R-04CL	Right Drain White Base Kit
DL-6940C-88-01	Center Drain Black Base Kit
DL-6940L-88-01	Left Drain Black Base Kit
DL-6940R-88-01	Right Drain Black Base Kit

32" D x 60" W Shower Door + Base Kit



Model #s:	
DL-6941C-88-01	Center Drain Black Base Kit
DL-6941L-88-01	Left Drain Black Base Kit
DL-6941R-88-01	Right Drain Black Base Kit
DL-6941C-01CL	Center Drain White Base Kit
DL-6941C-04CL	Center Drain White Base Kit
DL-6941L-01CL	Left Drain White Base Kit
DL-6941L-04CL	Left Drain White Base Kit
DL-6941R-01CL	Right Drain White Base Kit
DL-6941R-04CL	Right Drain White Base Kit
DL-6941C-22-01	Center Drain Biscuit Base Kit
DL-6941C-22-04	Center Drain Biscuit Base Kit
DL-6941L-22-01	Left Drain Biscuit Base Kit
DL-6941L-22-04	Left Drain Biscuit Base Kit
DL-6941R-22-01	Right Drain Biscuit Base Kit
DL-6941R-22-04	Right Drain Biscuit Base Kit

If this unit is going to be installed in a new construction, please, install all of the required plumbing and drainage before installing the shower. Use a competent and licensed plumber for all plumbing installation period.

Install this product according to the installation manual.

Upper and lower guiderails can be trimmed up to 4 in. for width adjustment.

ATTENTION! This model has NO adjustment for out-of-plumb (uneven) walls.

Drain opening fits any standard 2 in. compression fitted drain (drain not included).

Professional installation recommended; Drilling into the threshold is required for installation of this product.

Important Disclaimers:

- Prior to installation, please ensure that the installation surface is finished, level and solid and will be able to support the total weight of the unit. Also, make sure that the walls are plumb. Irregular installation, surface level or out of square conditions can result in serious problems for your installation.
- Please read Installation Manual thoroughly prior to installing this product.
- Please note that you should consult your local building codes with questions on installation compliance standards. Building and plumbing codes may vary by location, and DreamLine® is not responsible for code compliance standards for your project and will not accept any returns.

For commercial customers, we strongly recommend the use of Dreamline's Onsite Contractor Support option.

Dreamline's commercial warranty does not apply to damage or losses resulting from (i) other than normal and proper use and normal service conditions; (ii) improper installation, (iii) installation in or upon an unsuitable surface or areas; (iv) abuse, (v) accident, (vi) alteration, (vii) misuse, (viii) neglect, (ix) unauthorized repair or the failure to utilize suitably qualified and trained persons to perform service and/or repair of the Product, (x) improper maintenance, (xi) failure to follow installation, operating, cleaning or maintenance instructions, and (xii) use of "non-authorized" parts.