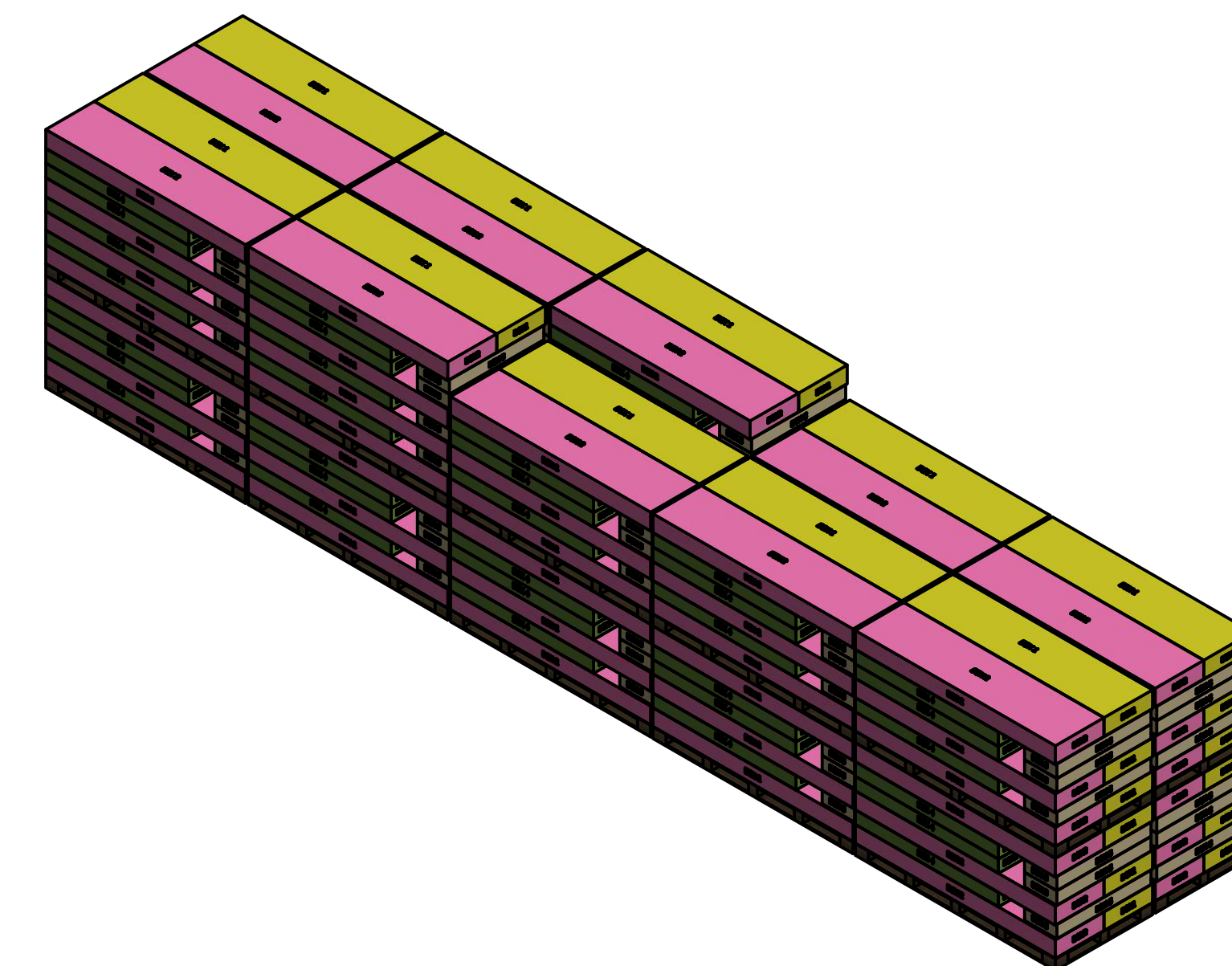
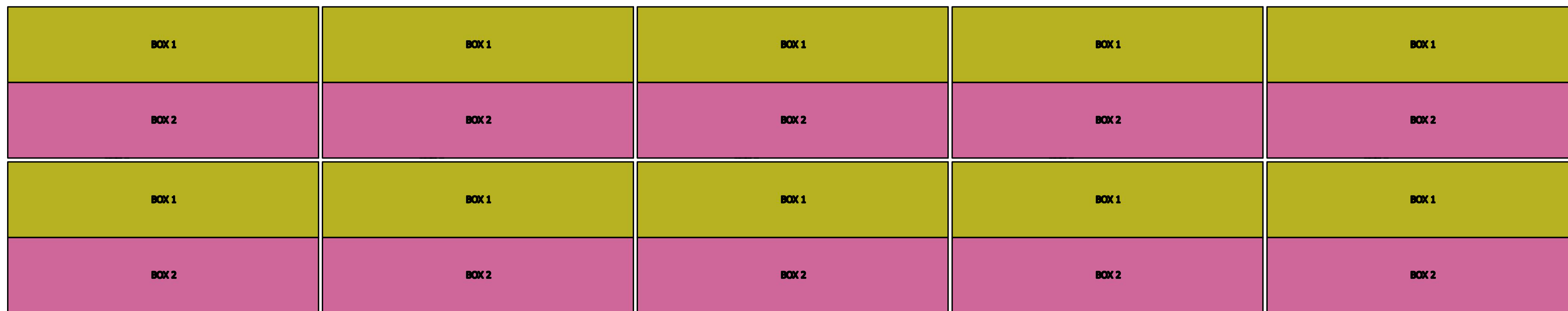


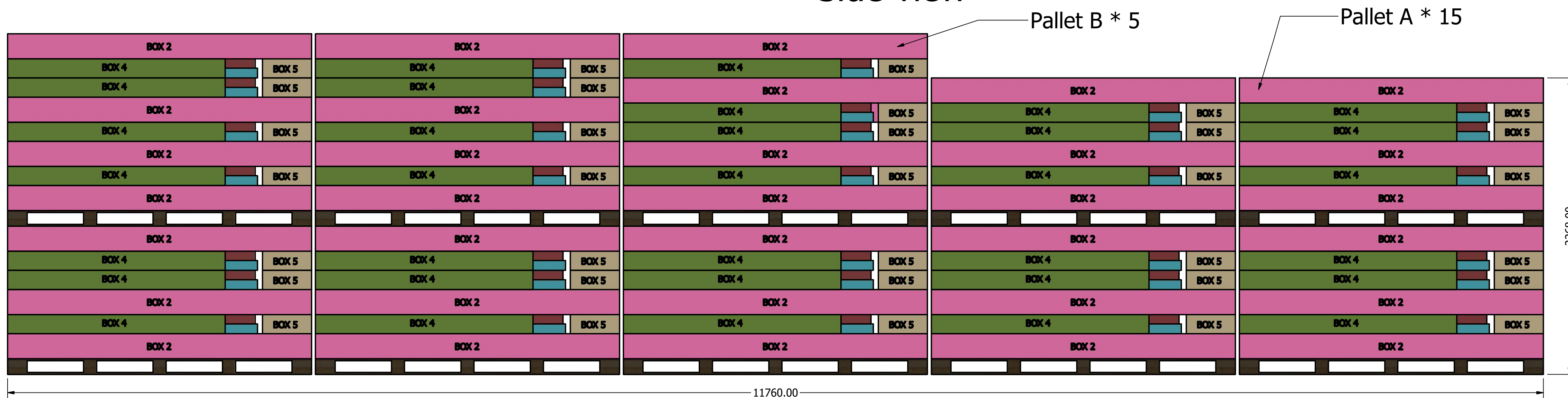
2206076B BARRINGTON 12x10 GAZEBO Container Loading Diagram

(1 set=6 boxes 65 sets/40HQ, 20 pallets/ 40HQ, Gross Weight: 19915kg)

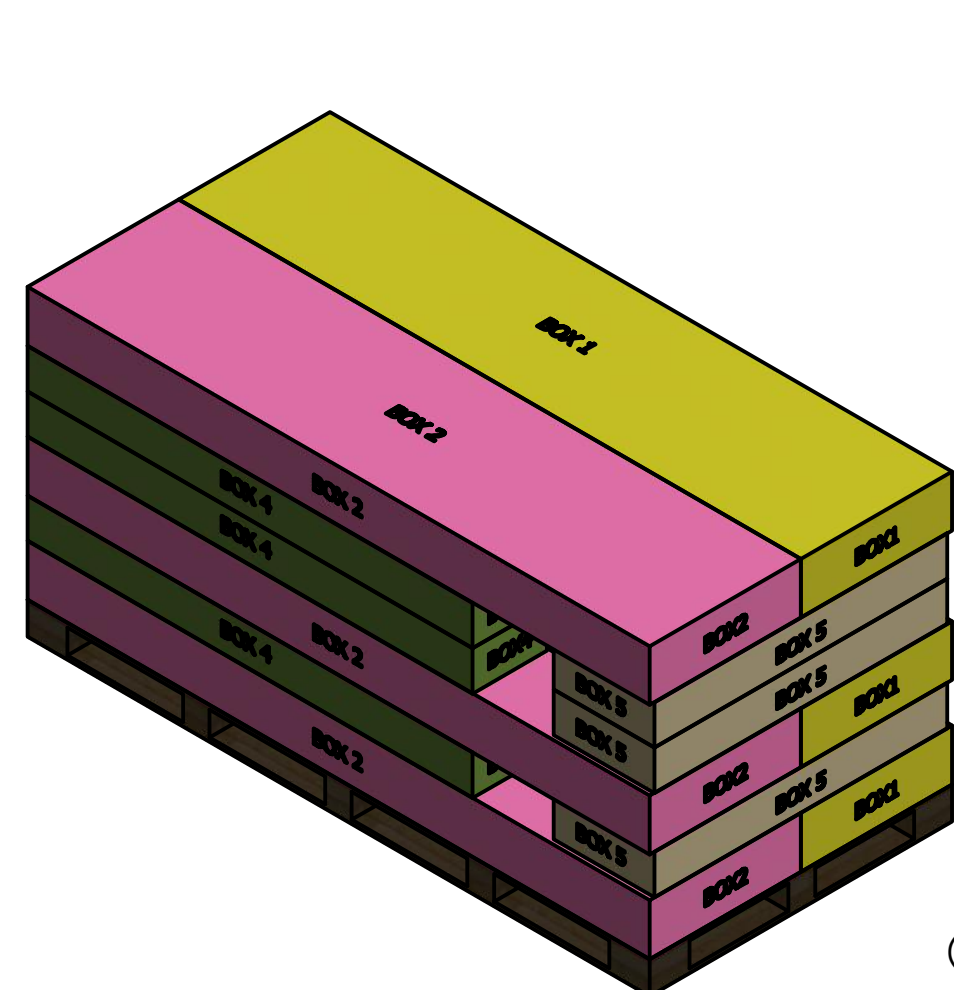
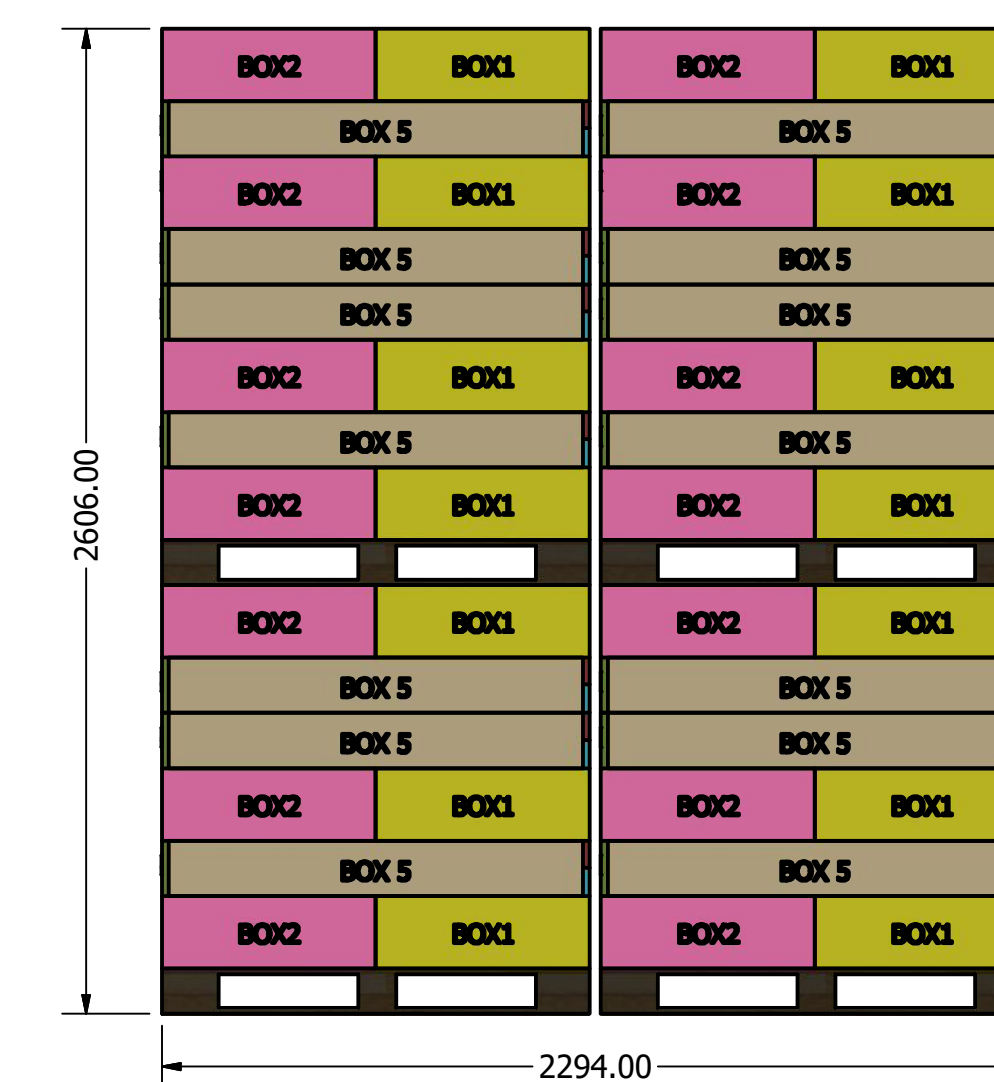
Top view



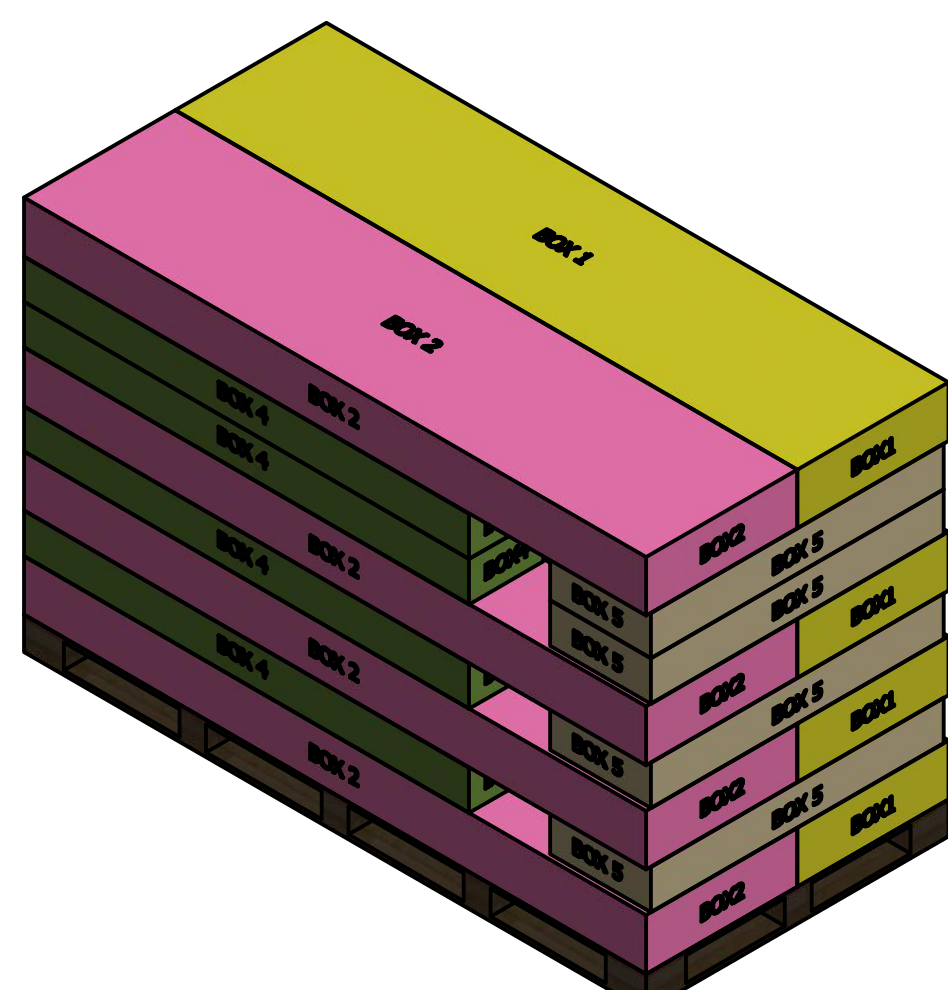
Side view



End view



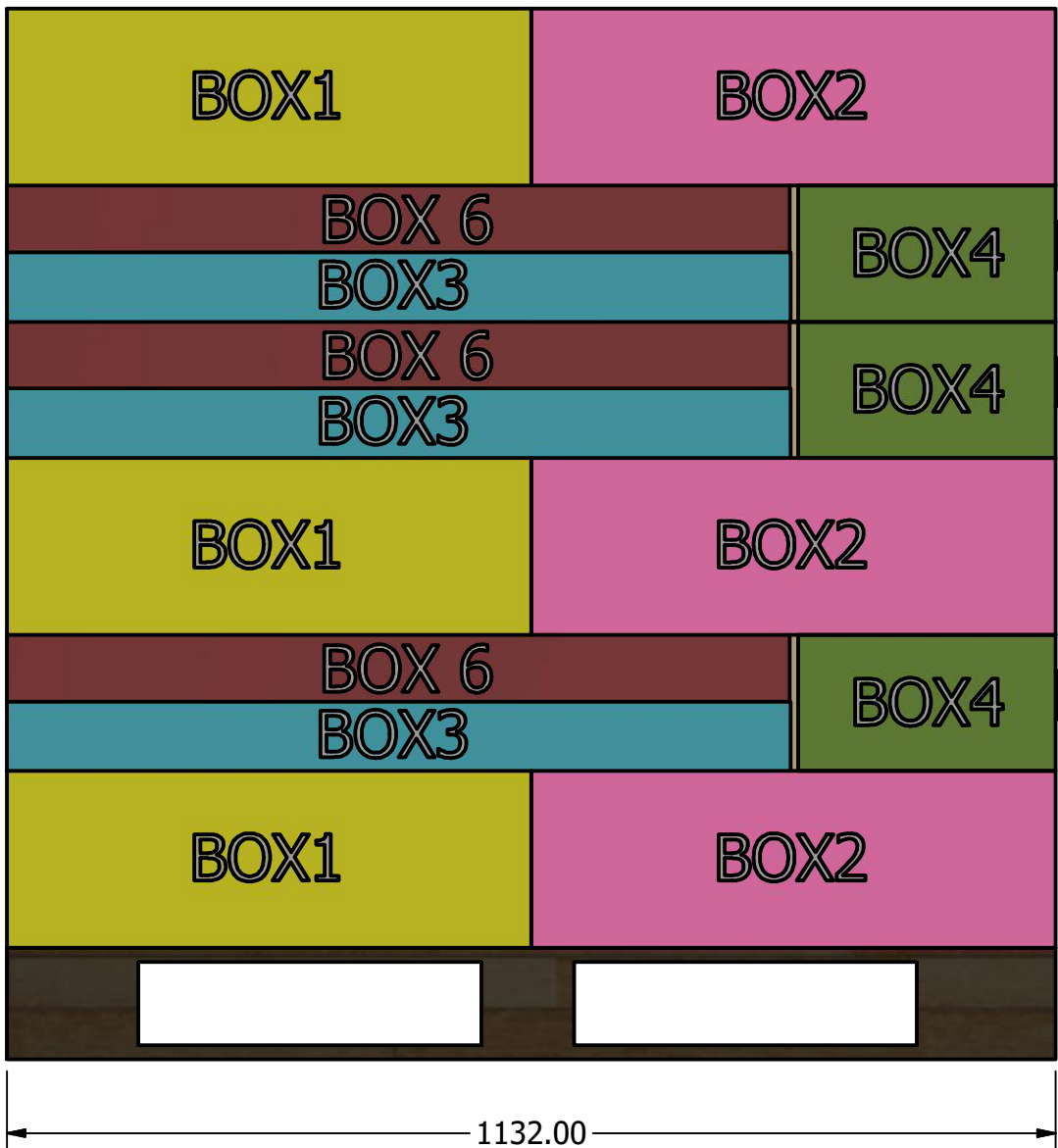
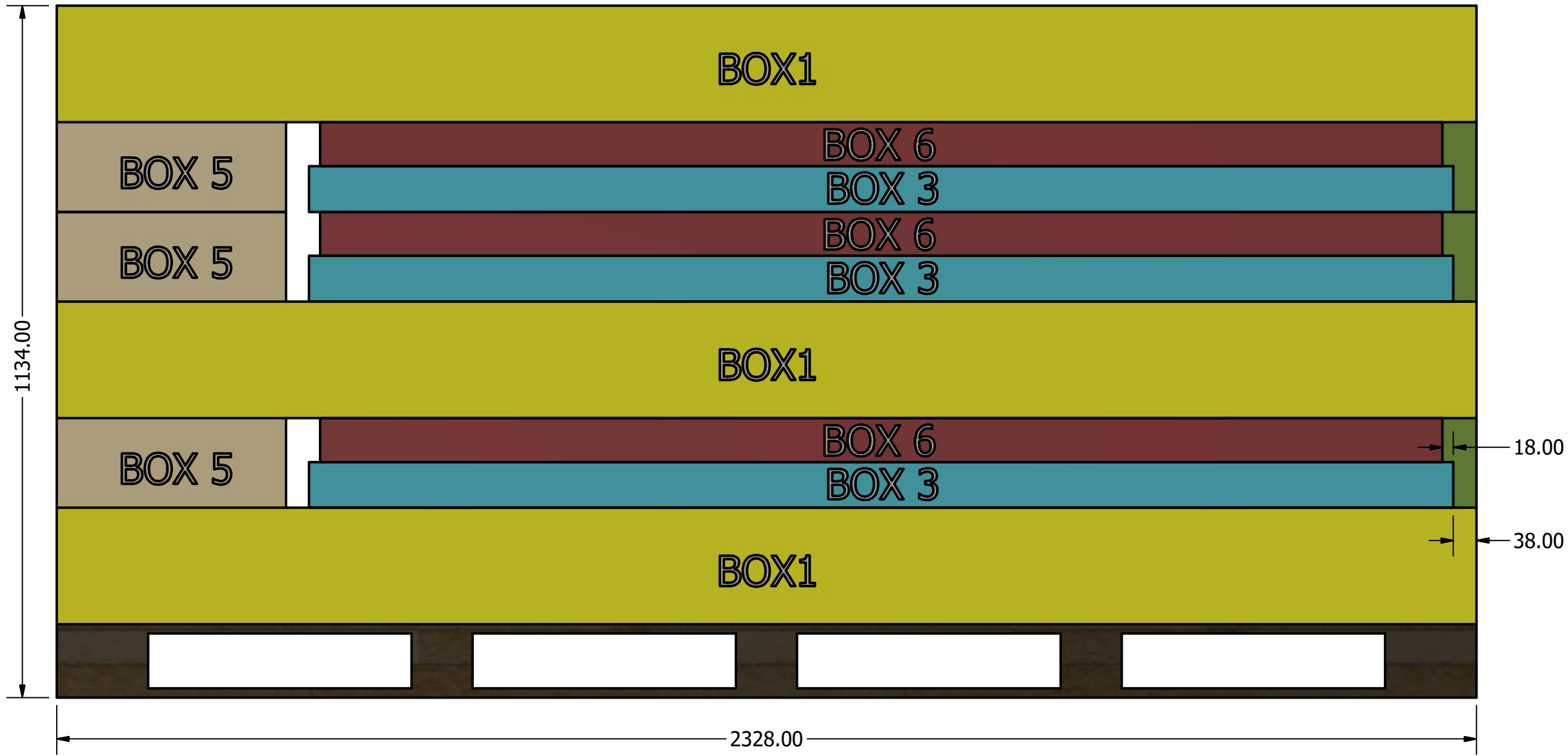
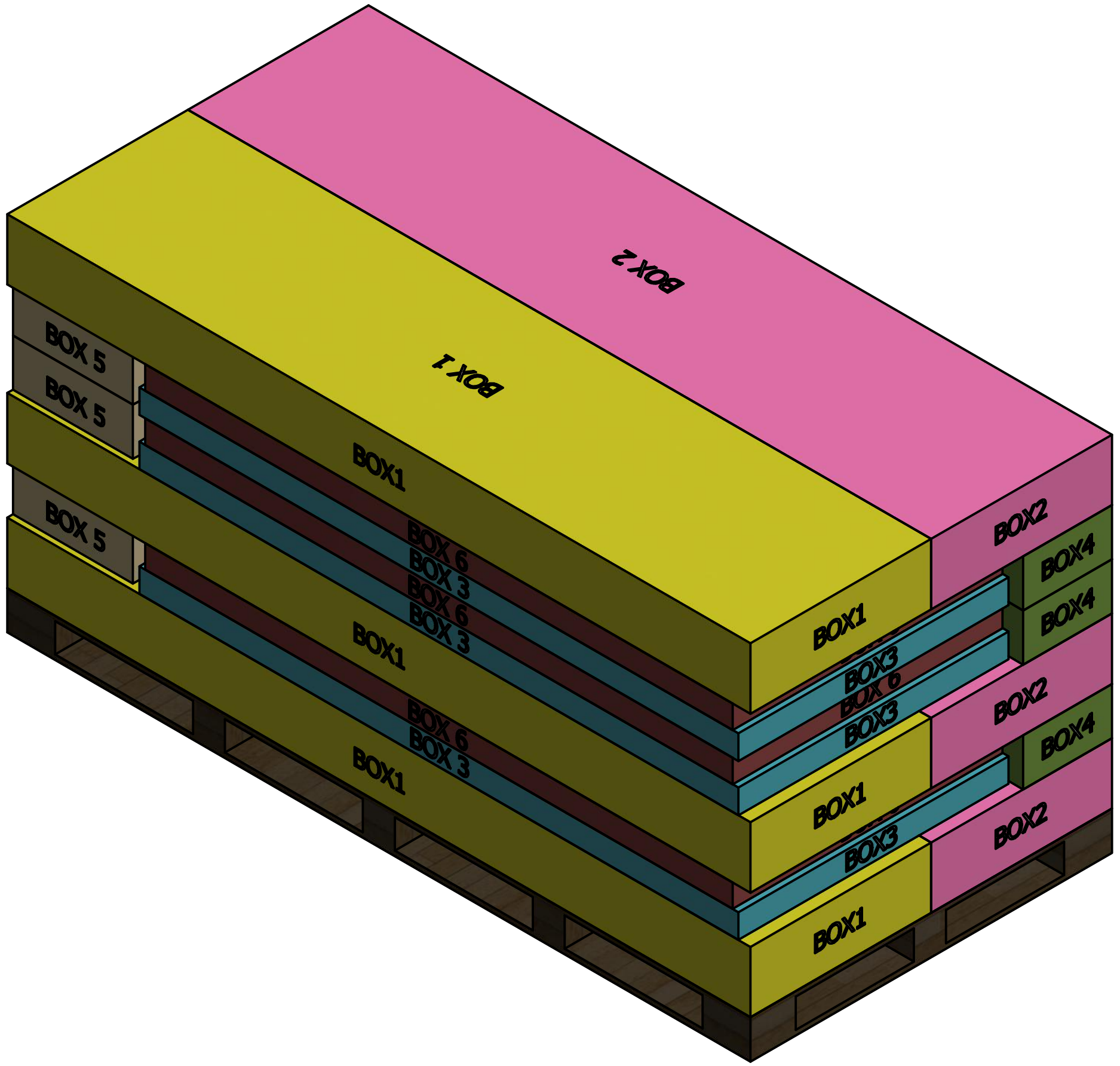
Pallet A *15
(3 sets/ Pallet)



Pallet B *5
(4 sets/ Pallet)

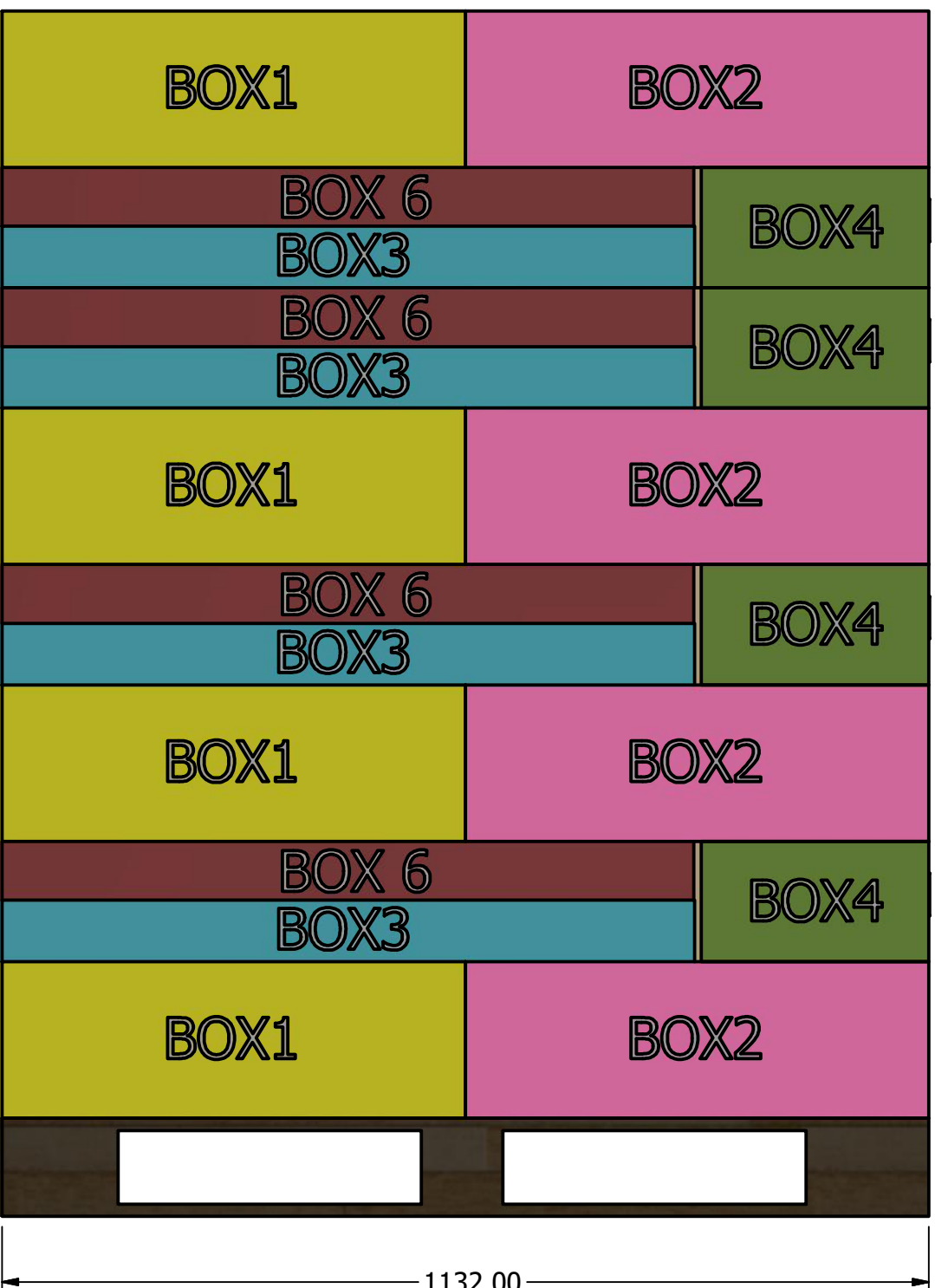
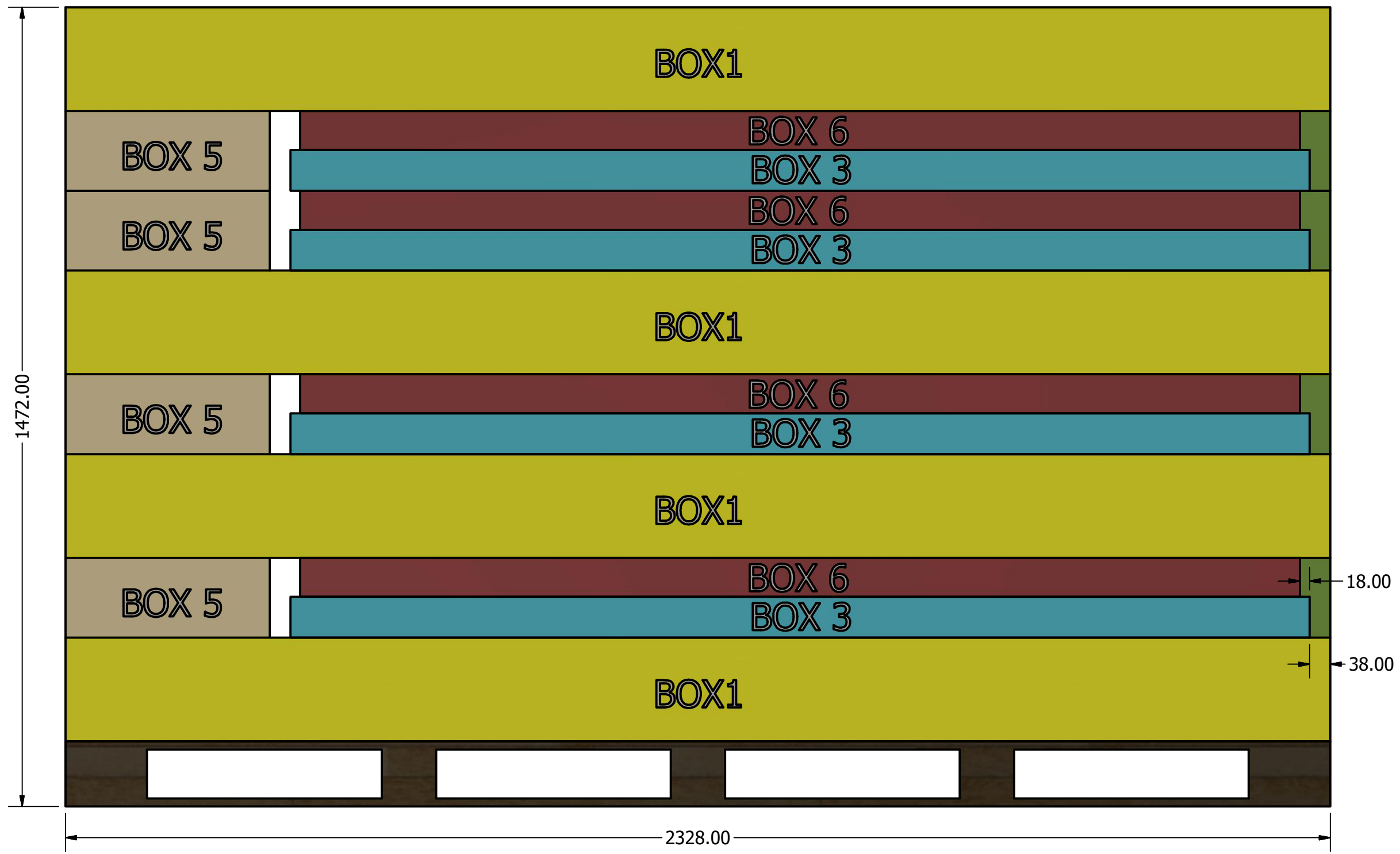
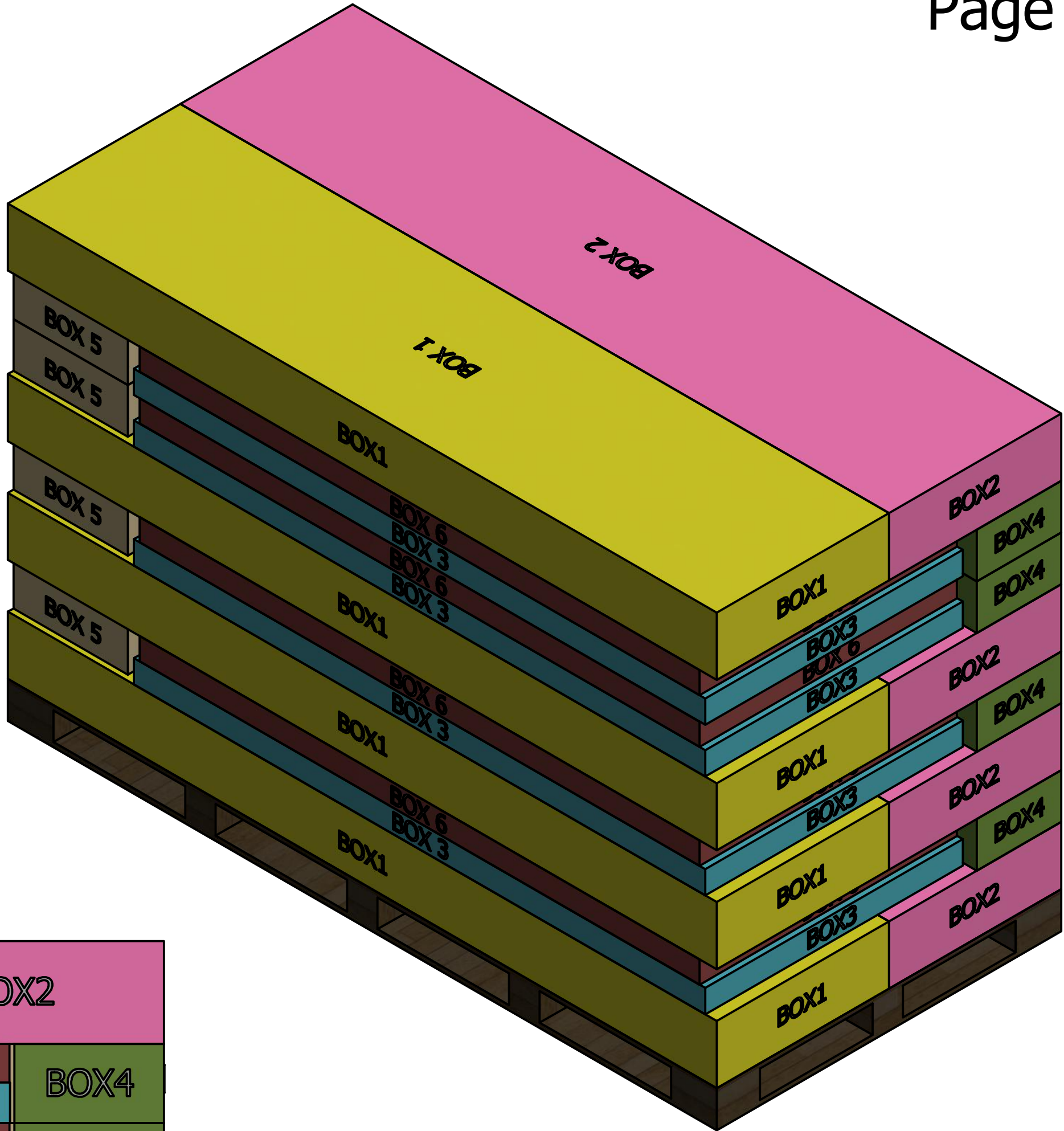
DRAWN Rudy	2019/8/19		
CHECKED		TITLE	
QA			
MFG			
APPROVED			
		SIZE D	DWG NO 2006522
		SCALE 1 / 20	REV SHEET 1 OF 1

Pallet A (3 sets/pallet)

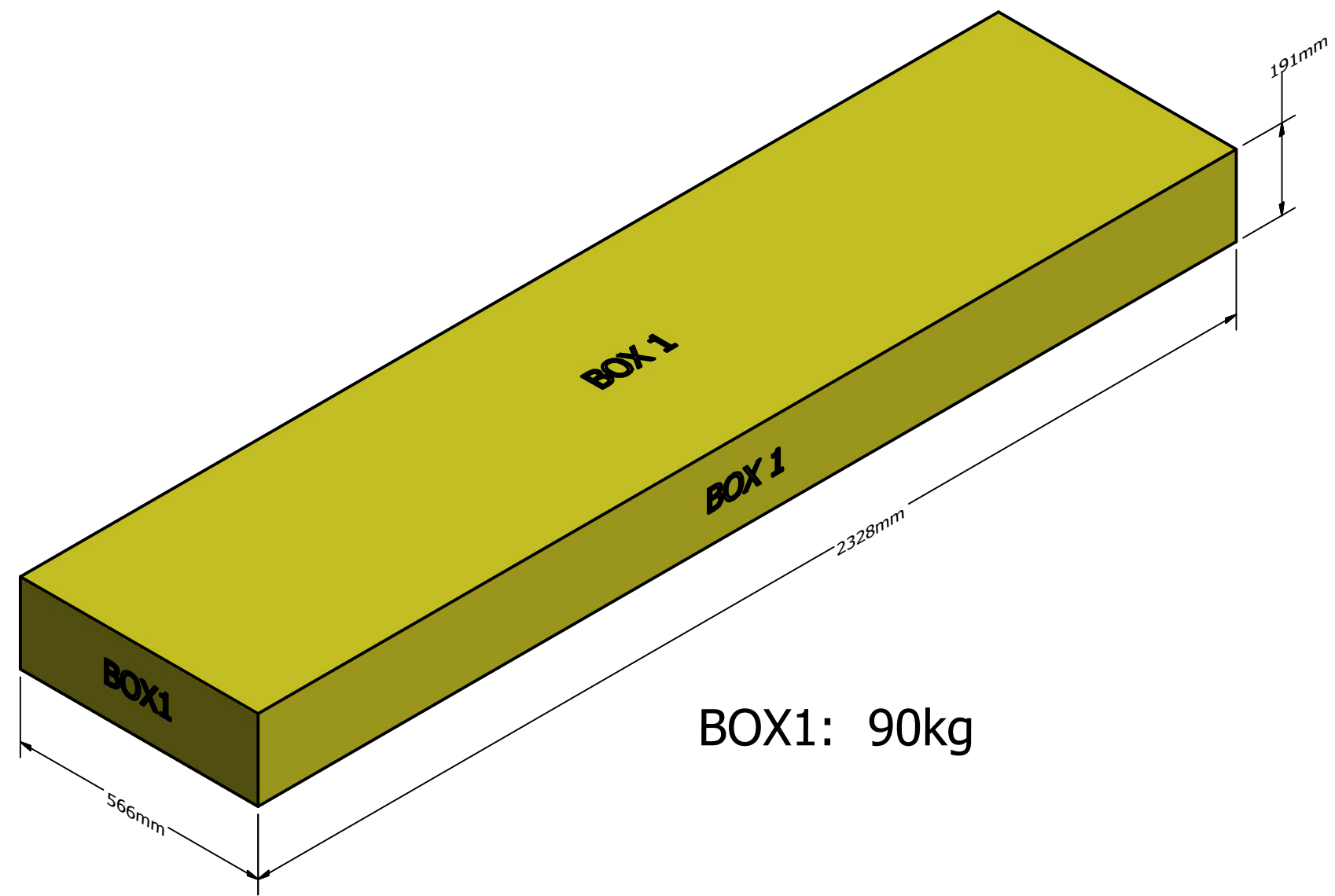


DRAWN Rudy	2019/8/19		
CHECKED		TITLE	
QA			
MFG			
APPROVED			
		SIZE D	DWG NO Pallet A
		SCALE 1 : 10	REV SHEET 1 OF 1

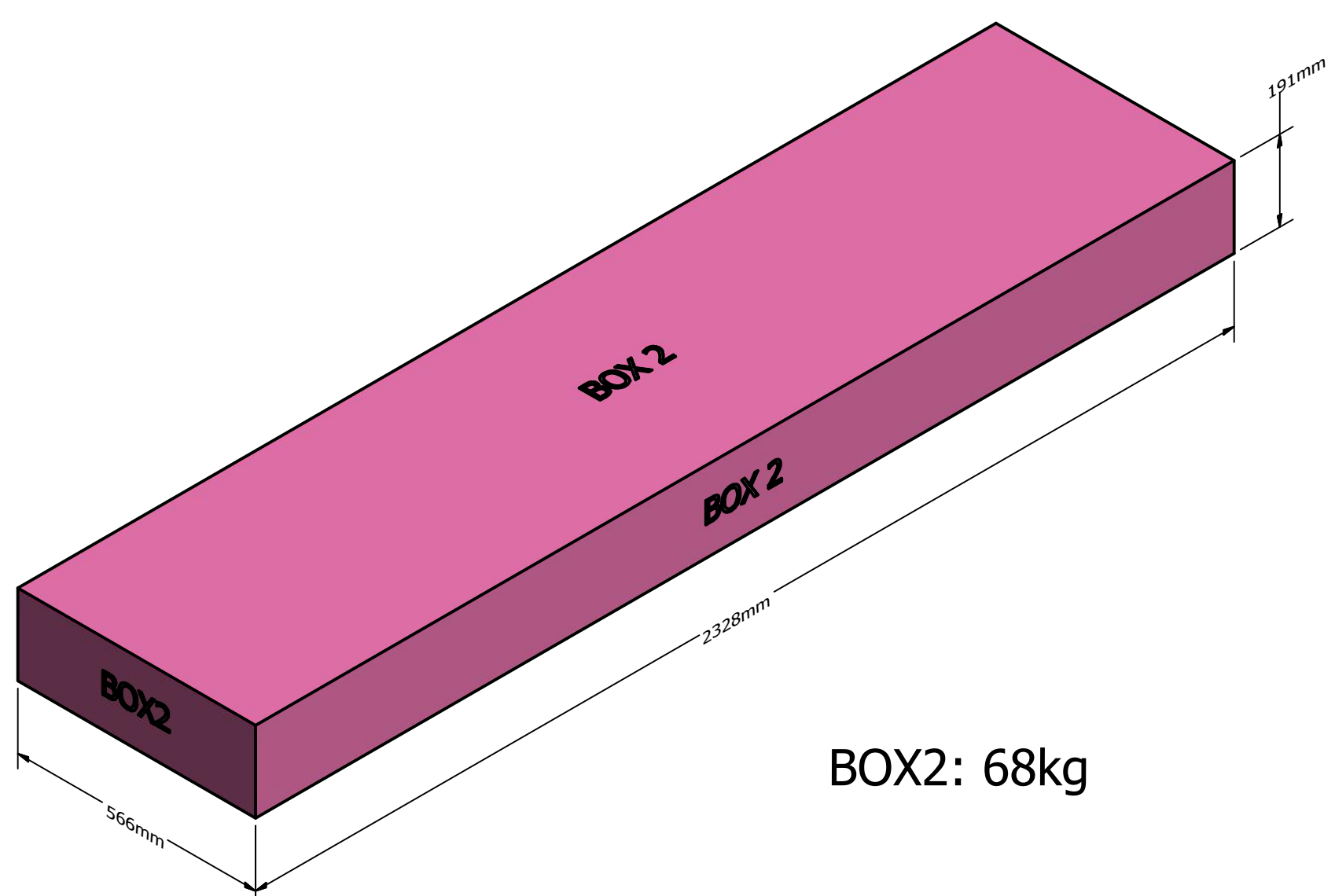
Pallet B (4 sets/pallet)



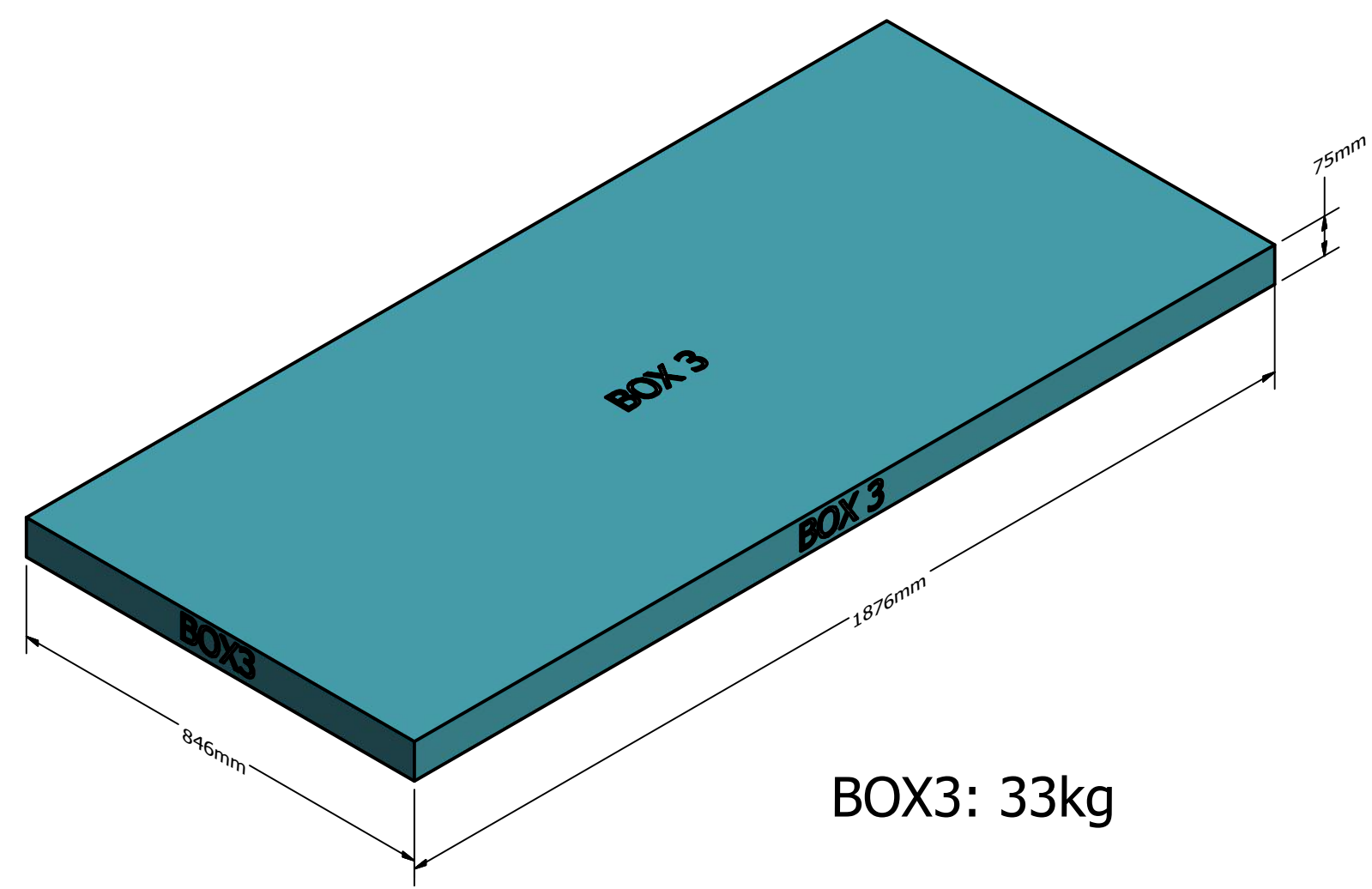
DRAWN Rudy	2019/8/19		
CHECKED		TITLE	
QA			
MFG			
APPROVED			
		SIZE D	DWG NO Pallet A
		SCALE 1: 8	REV
		SHEET 1 OF 1	



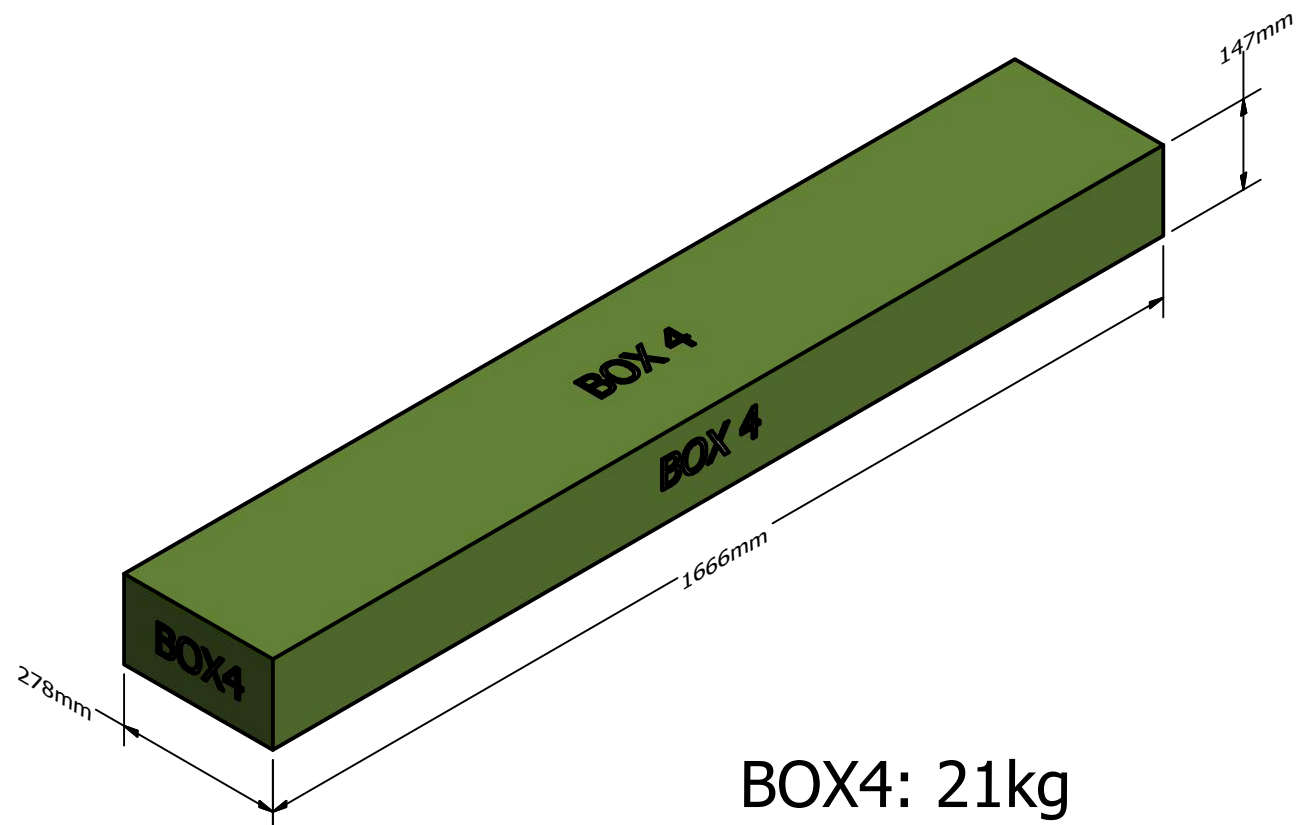
BOX1: 90kg



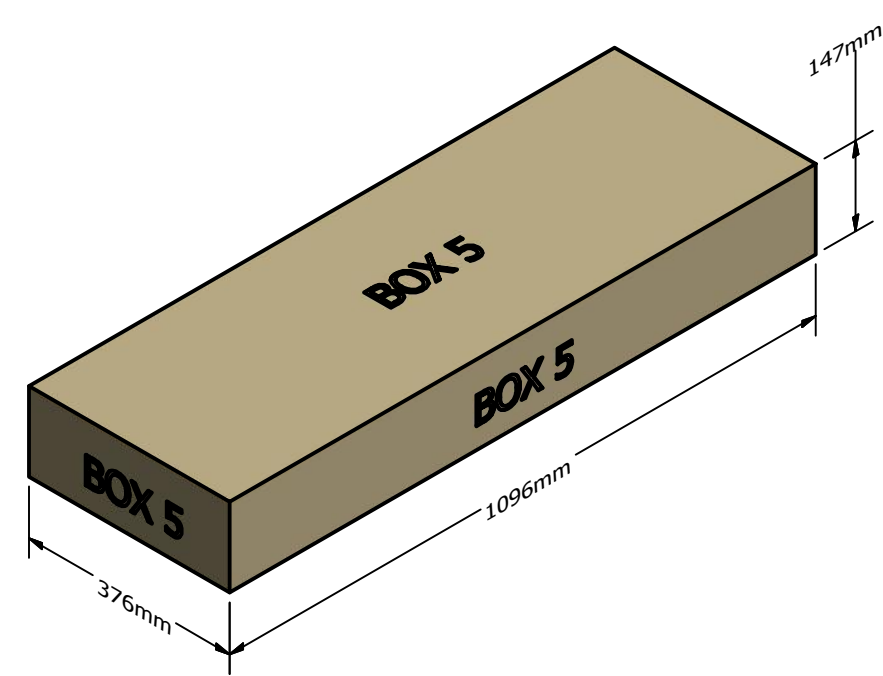
BOX2: 68kg



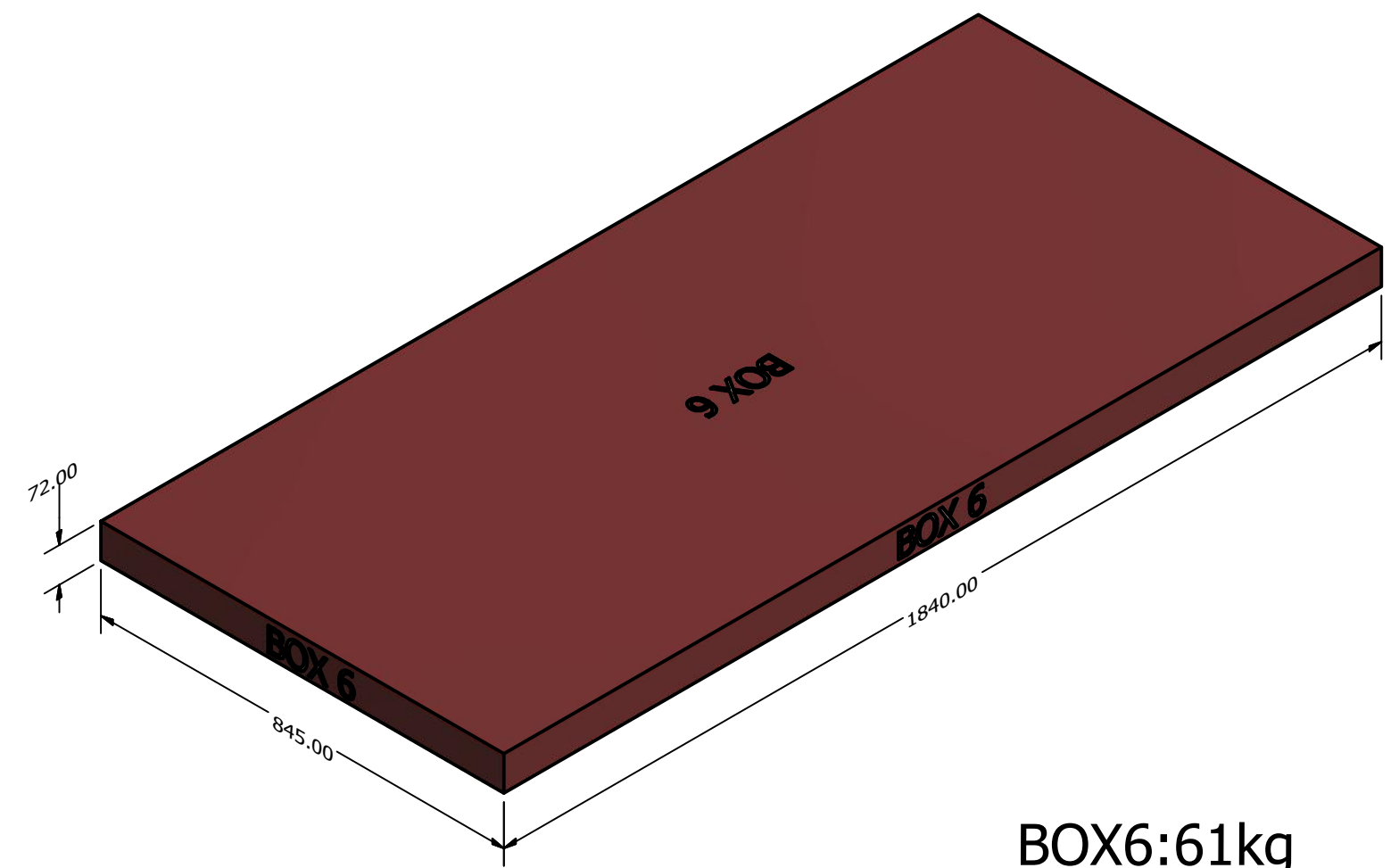
BOX3: 33kg



BOX4: 21kg



BOX5: 18kg



BOX6: 61kg

DRAWN Rudy	2019/8/19			
CHECKED		TITLE		
QA				
MFG				
APPROVED				
		SIZE D	DWG NO Pallet A (详细)	REV
		SCALE 1 / 10	SHEET 1 OF 1	