

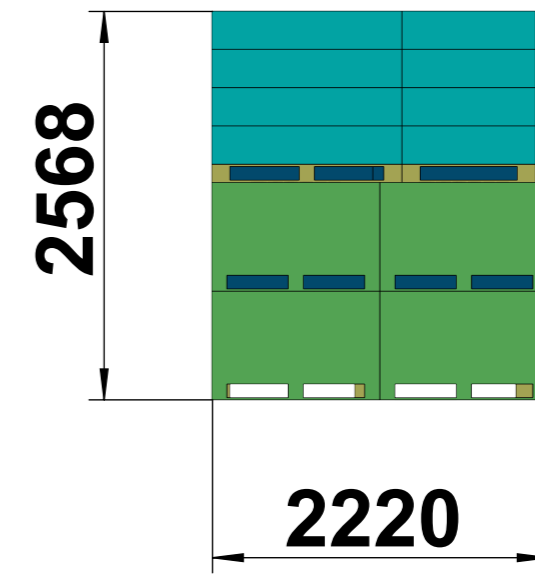
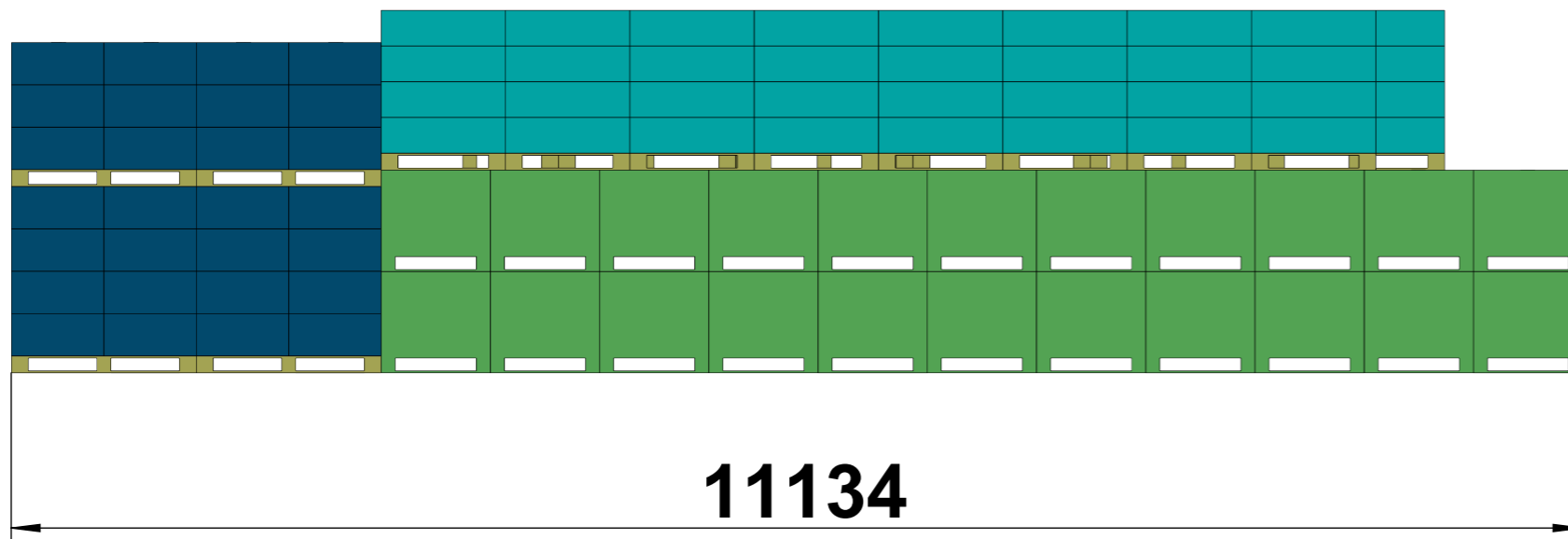
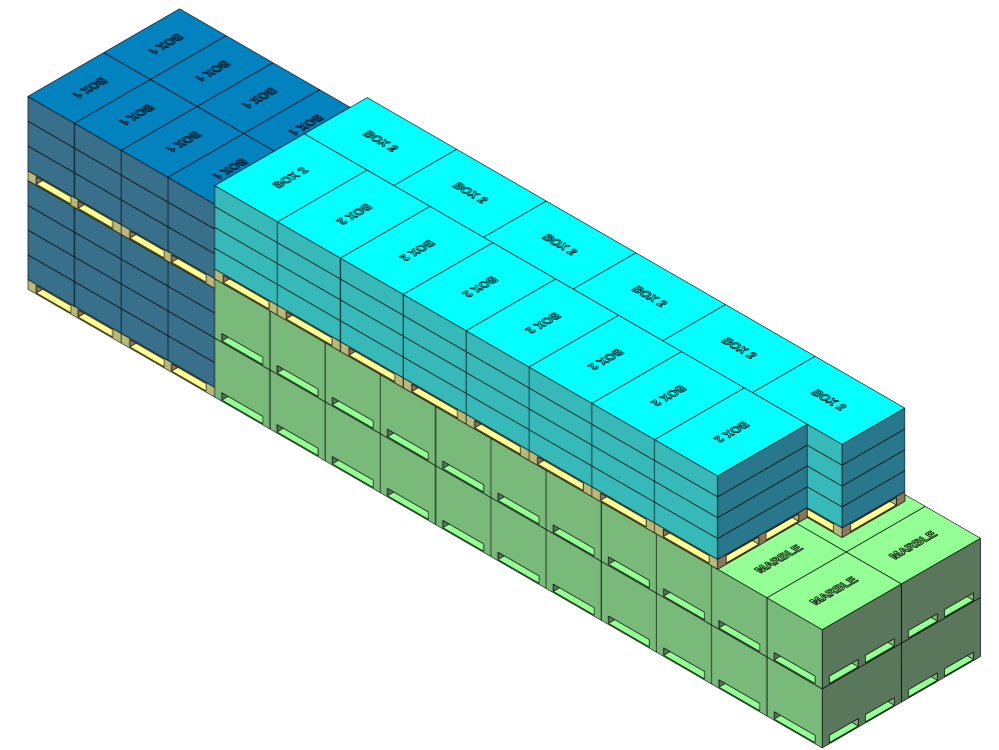
# 2404151 Lancaster Linear Kitchen Container 1 Loading Diagram

Box#1 8 pallets, total 56 boxes

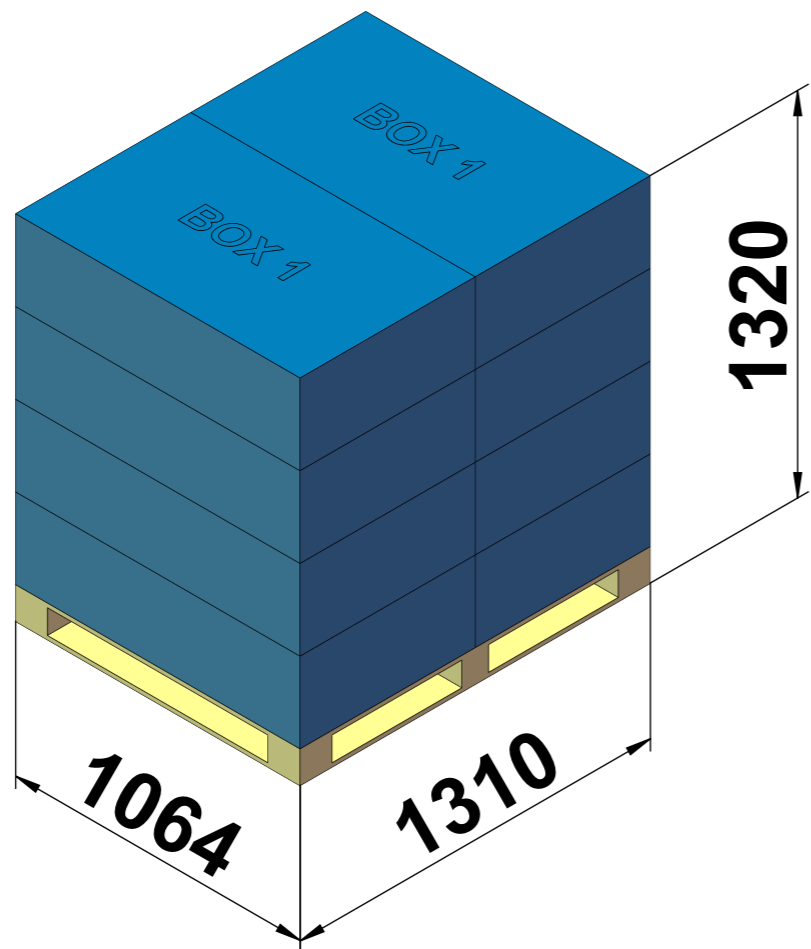
Box#2 14 pallets, total 56 boxes

Marble total 44 crates

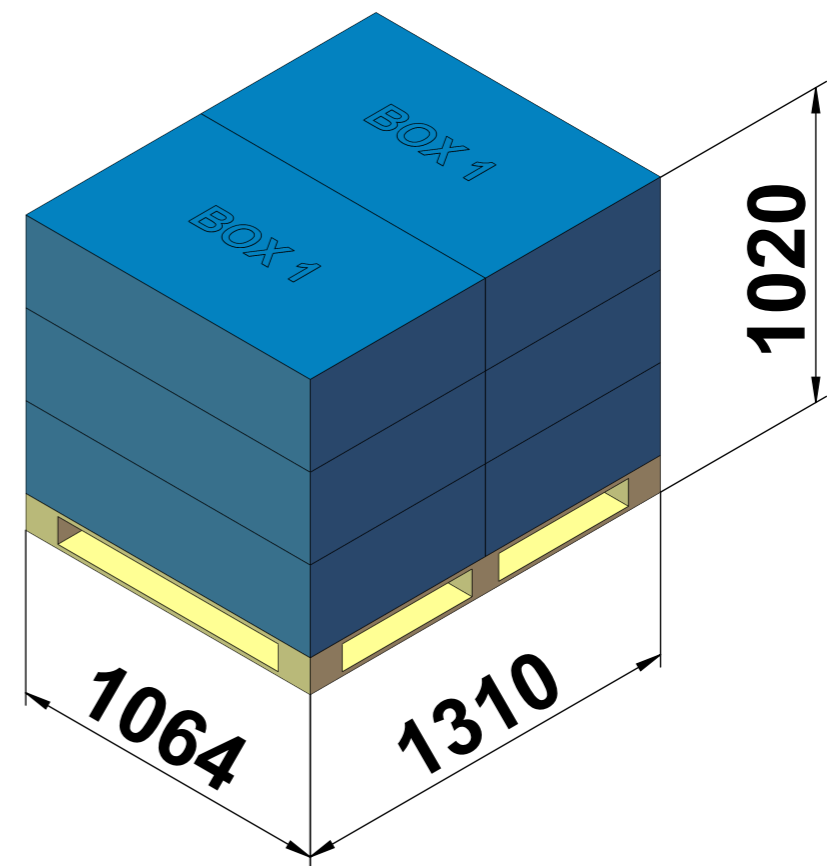
Gross weight : 15076 Kg



# BOX 1 Pallet Details

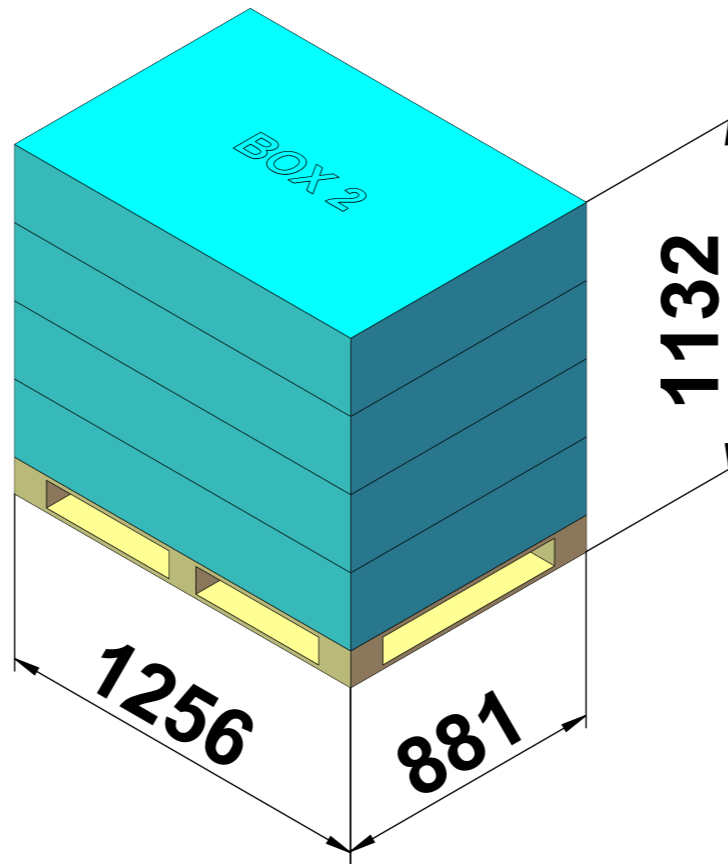


**Pallet A 8 boxes  
4 pallets**



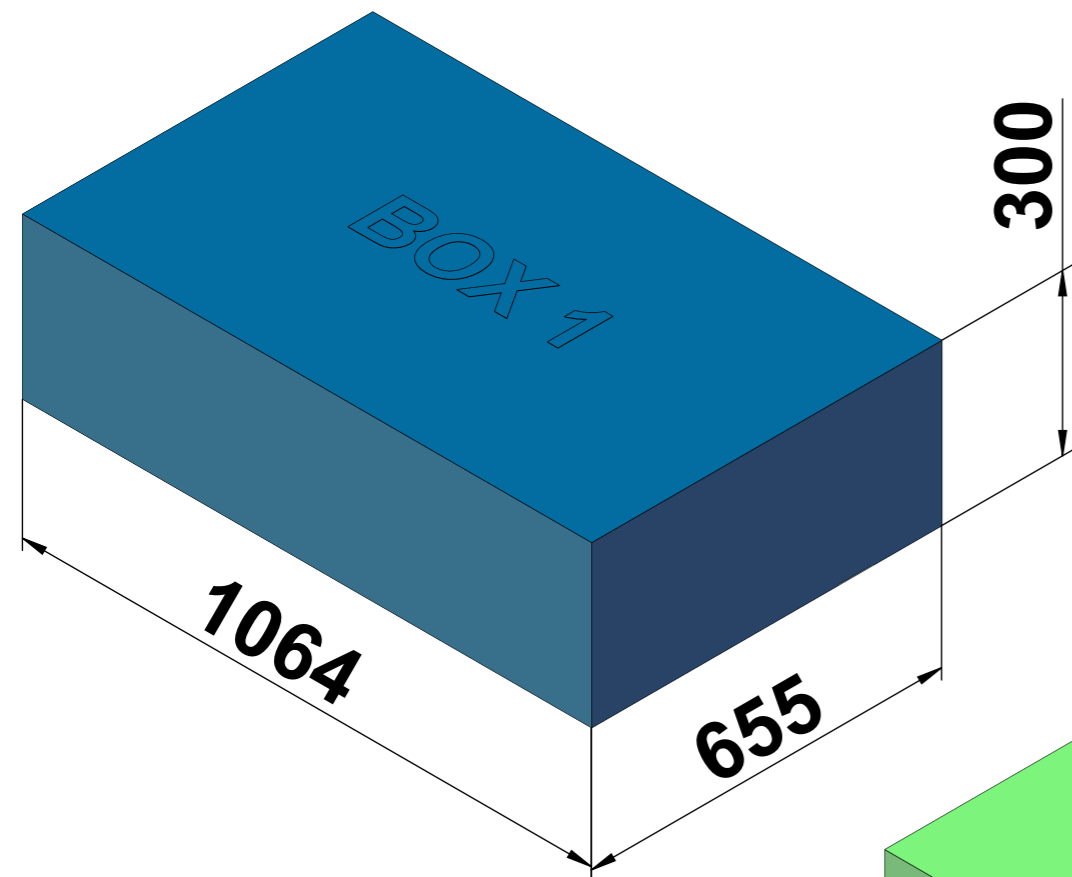
**Pallet B 6 boxes  
4 pallets**

# BOX 2 Pallet Details

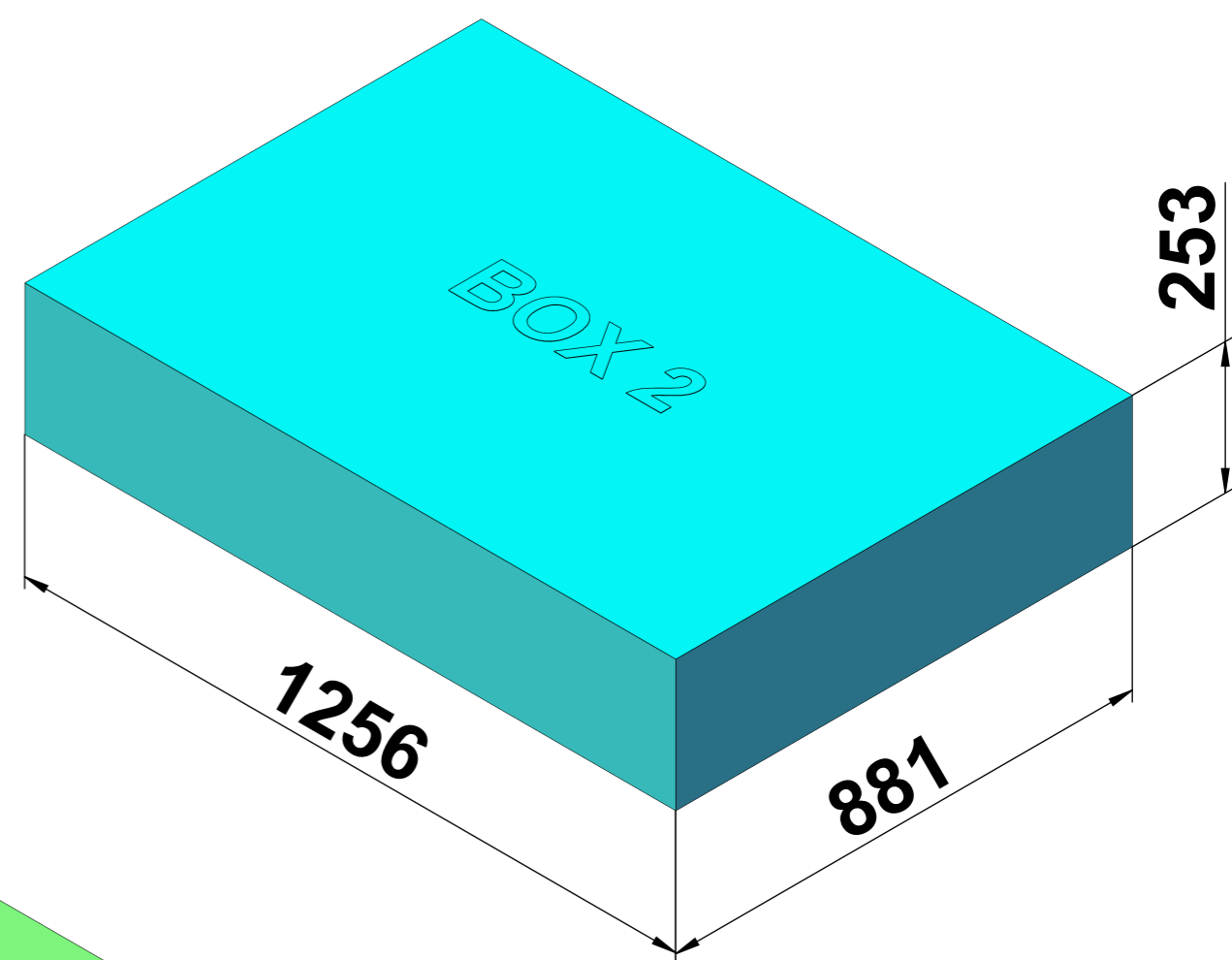


**Pallet A 4 boxes  
14 pallet**

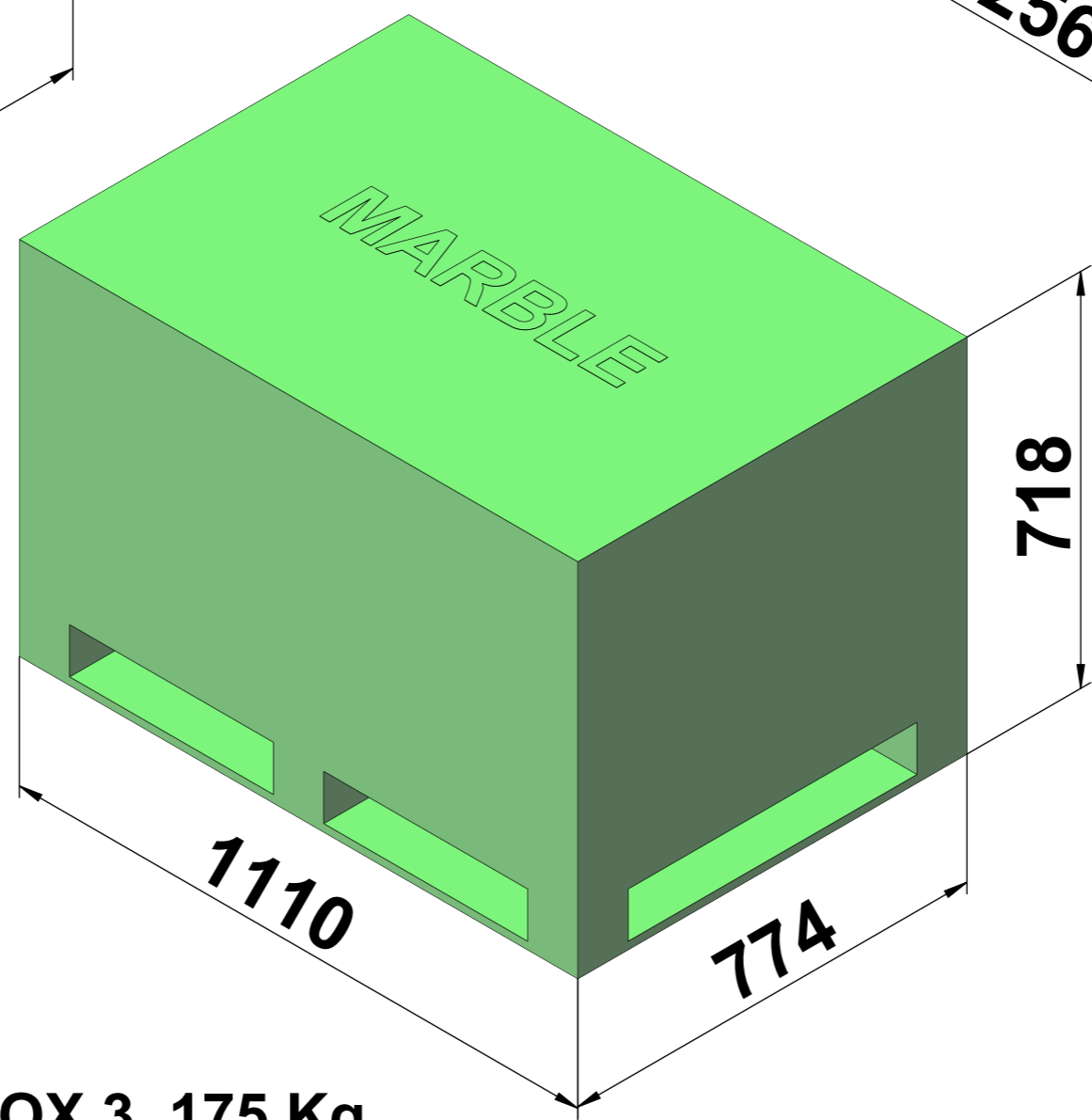
# BOX details



**BOX 1 38 Kg**



**BOX 2 78 Kg**



**BOX 3 175 Kg**