



*Center Drain Base in Biscuit Color Shown

DUET

Specification Features

- SHOWER DOOR AND SLIMLINE SHOWER BASE
- SMOOTH AND QUIET OPERATION
- 5/16IN. (8MM) THICK CERTIFIED TEMPERED GLASS
- UP TO 4 IN. FOR WIDTH ADJUSTMENT
- UP TO 1/2 IN. ADJUSTMENT FOR OUT-OF-PLUMB WALLS
- REVERSIBLE FOR RIGHT OR LEFT DOOR INSTALLATION
- CLEARMAX WATER /STAIN RESISTANT GLASS COATING

Technical Information

- Model: Duet
- Door Type: Double Sliding Door
- Dimensions: 30" D x 60" W x 74 3/4" H
- Product Width: 60"
- Product Depth: 30"
- Access Width Max: 27"
- Access Width Min: 23"
- Glass Thickness: 5/16" [8 mm]
- Glass Type: Clear
- Glass Coating: ClearMax
- Base Type: Single Threshold
- Base Color: Biscuit

Codes/Standards Applicable

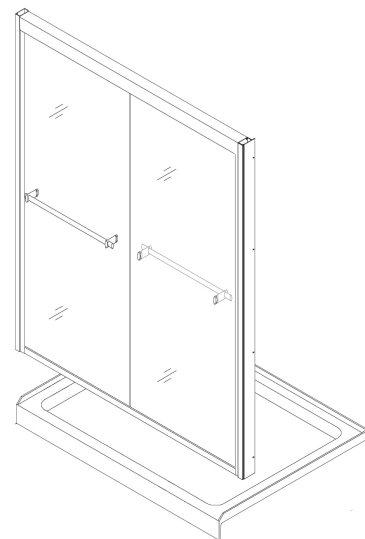
- ANSI Z97.1 (Tempered Glass)
- 16 CFR Part 1201

Hardware Finish Options:

- 04 - Brushed Nickel

Model SKU#:

- DL-6950C-22-04 Center Drain Base Kit
- DL-6950L-22-04 Left Drain Base Kit
- DL-6950R-22-04 Right Drain Base Kit



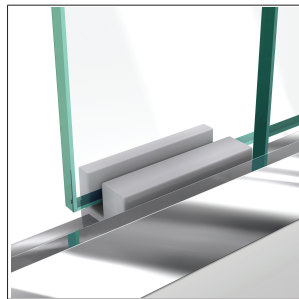
Unique Product Design Details:



Shower Door Wall Profile



Shower Door Handle



Bottom Guide Block

Important Notes:

If this unit is going to be installed in a new construction, please, install all of the required plumbing and drainage before installing the shower. Use a competent and licensed plumber for all plumbing installation period.

Install this product according to the installation manual. Professional installation is recommended.

Wall profiles allow up to 1/2 in. of adjustment per side for out-of-plumb.

Top and bottom guiderails can be trimmed up to 4 in. for width adjustment.

DO NOT attach the handle to the door glass until instructed in the installation manual. DO NOT use the handle to lift the glass during installation. This may result in damage to the glass and/or serious injury.

Important Disclaimers:

- Prior to installation, please ensure that the installation surface is finished, level and solid and will be able to support the total weight of the unit. Also, make sure that the walls are plumb. Irregular installation, surface level or out of square conditions can result in serious problems for your installation.
- Please read Installation Manual thoroughly prior to installing this product.
- Please note that you should consult your local building codes with questions on installation compliance standards. Building and plumbing codes may vary by location, and DreamLine® is not responsible for code compliance standards for your project and will not accept any returns.

For commercial customers, we strongly recommend the use of Dreamline's Onsite Contractor Support option.

Dreamline's commercial warranty does not apply to damage or losses resulting from (i) other than normal and proper use and normal service conditions; (ii) improper installation, (iii) installation in or upon an unsuitable surface or areas; (iv) abuse, (v) accident, (vi) alteration, (vii) misuse, (viii) neglect, (ix) unauthorized repair or the failure to utilize suitably qualified and trained persons to perform service and/or repair of the Product, (x) improper maintenance, (xi) failure to follow installation, operating, cleaning or maintenance instructions, and (xii) use of "non-authorized" parts.