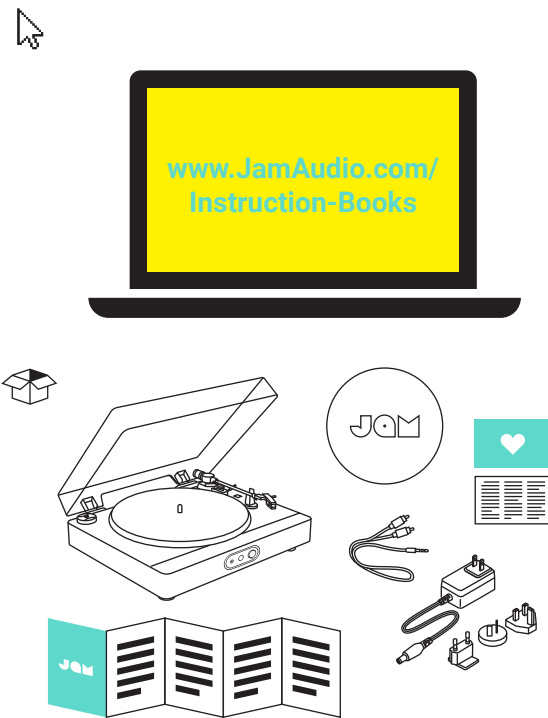


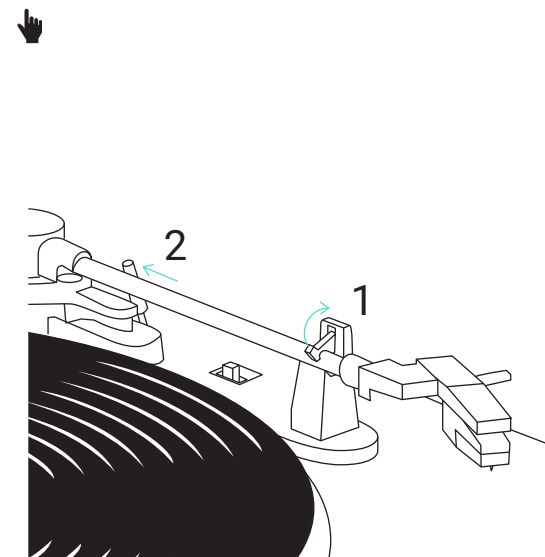
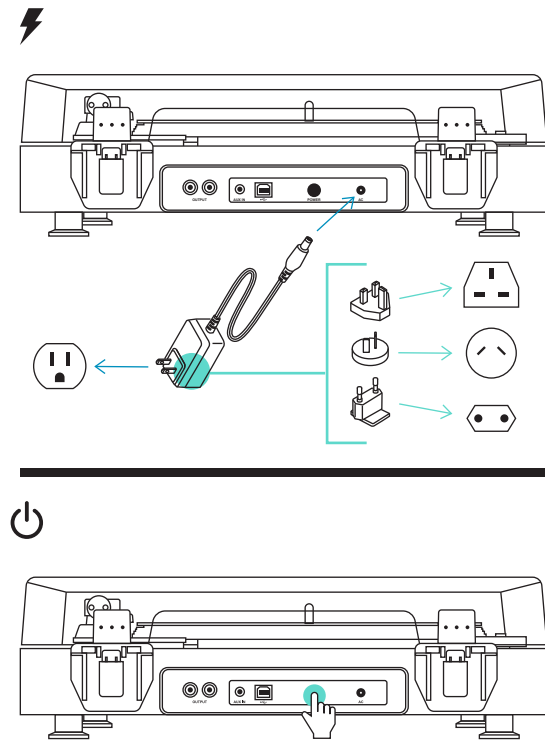
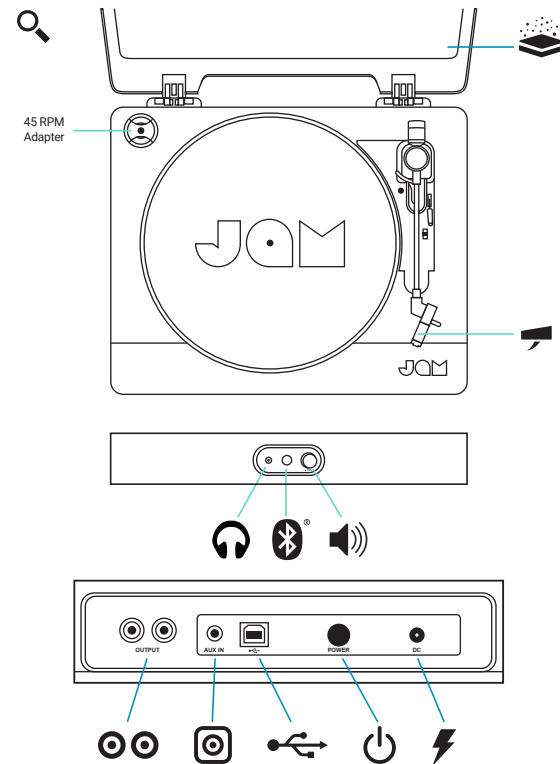
JAM™

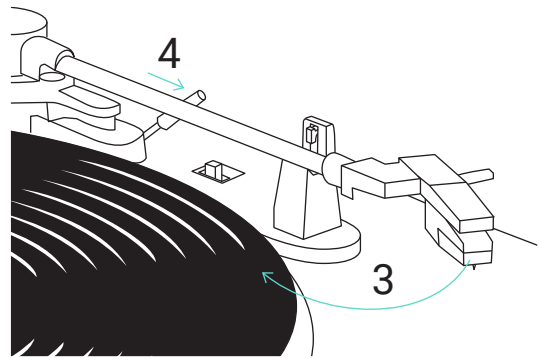
# BLUETOOTH® SOUND STREAM+

HX-TT700  
Quick-Start Guide  
Guide de démarrage rapide  
Guía de inicio rápido  
Schnellstartanleitung  
Guida rapida

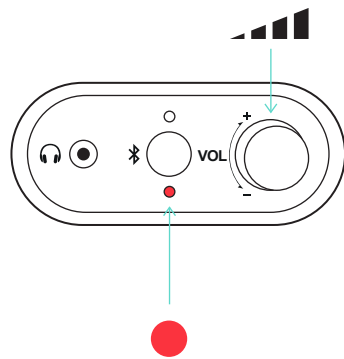


QS-HXTT700 © 2021 JAM. All Rights Reserved. Jam is trademark of HMDX. / Tous droits réservés / Todos derechos reservados / Alle Rechte vorbehalten / Tutti i diritti riservati

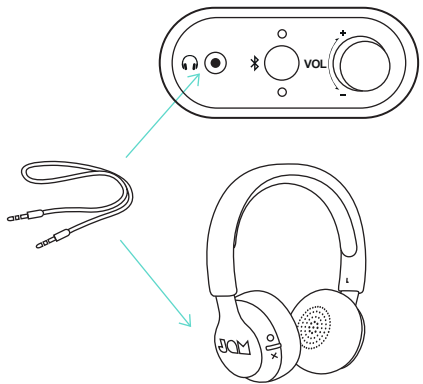
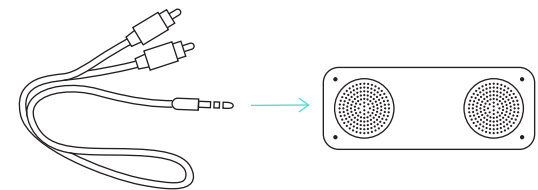
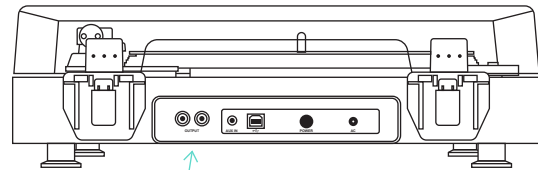
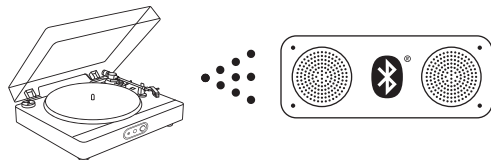
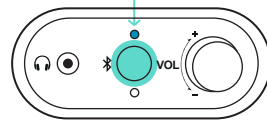
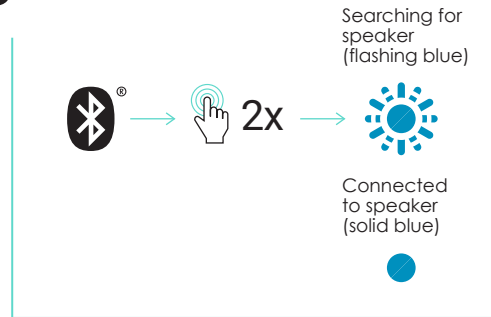




PLAY THROUGH IN-BUILT SPEAKERS



Bottom LED is RED. Select speed and good to go. Then just volume to adjust sound level



USB TO PC RECORDING

Download Full instruction for the Audacity Software at: <http://www.audacityteam.org/download/>

- Connect the Turntable and the computer via the provided USB cable.
- Follow the instruction of the software installation steps and operation interface.