

XU-CT-DOLLY-GG ASSEMBLY INSTRUCTION

INCLUDED HARDWARE

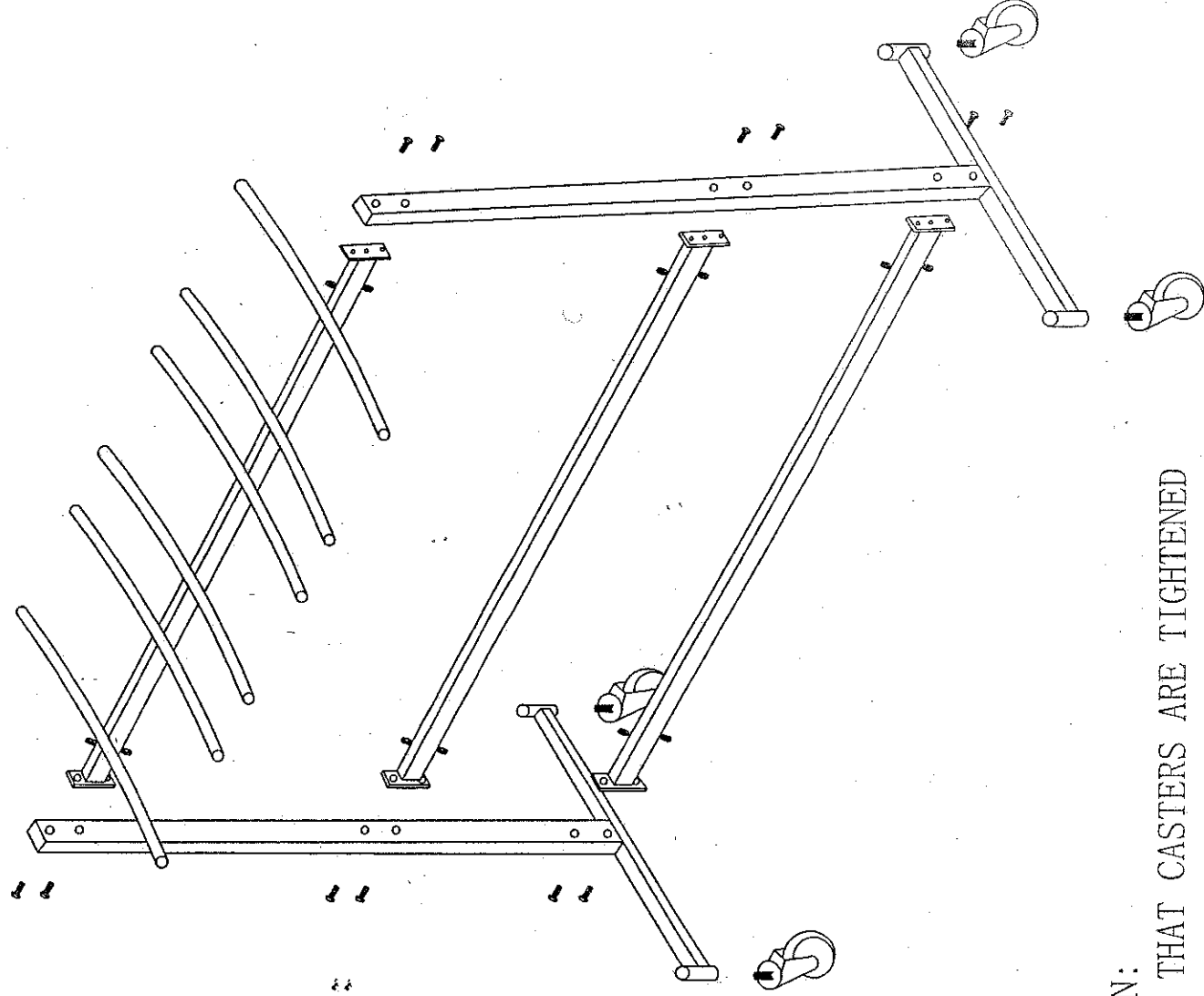
1. 4*4" DIA CASTERS

REQUIRED TOOLS

2. RACHET WRENCH 17"-19" SOCKETS

3. HEXAGON BOLT M8*40 12

4. HEXAGON NUTS M8 12



CAUTION:
ENSURE THAT CASTERS ARE TIGHTENED