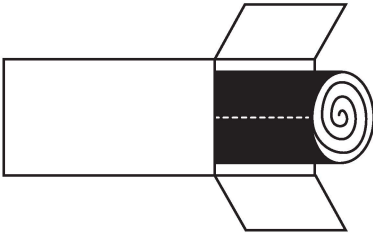


# Memory Foam Mattress

## INSTRUCTIONS

### STEP 1



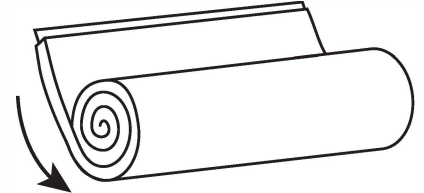
Move mattress to your desired room location. Lay box on its side. Clear an area on the floor large enough to allow the mattress to lay flat.

### STEP 2



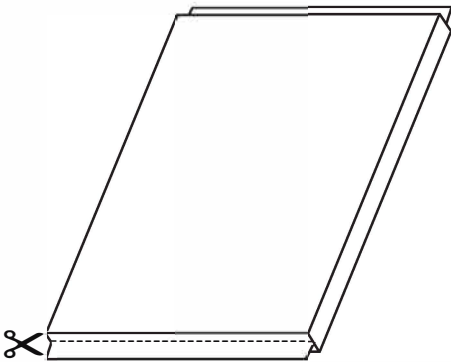
Remove bagged mattress and carefully cut the outside PE bag on the red line making sure you do not cut into the inner plastic wrap.

### STEP 3



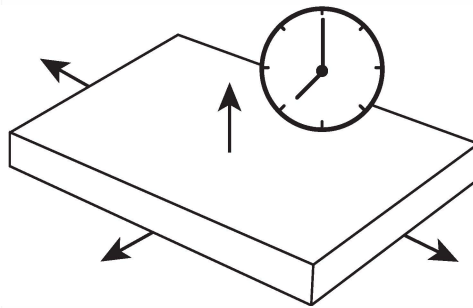
Completely unroll the compressed mattress onto a clean flat surface.

### STEP 4



Cut open a small section of the plastic in one corner. The mattress will inflate to full size and the mattress can be removed.

### STEP 5



Your mattress is now ready to use. Please allow 48 - 72 hours for complete expansion.

Quality products and first-class customer service are the cornerstone of long-lasting consumer relationships. We strive toward excellence in all we do and want you to be completely satisfied with your purchase.

**Please contact our exceptional Customer Experience Agents at the email address or phone number shown below to assist you with any product questions or issues before requesting a return.**

We look forward to serving you in a friendly, efficient manner to resolve any issues you may have.

#### Customer Service

Email: [CustomerExperience@belnick.com](mailto:CustomerExperience@belnick.com)

Phone: 866-552-2810

For warranty information, please visit [www.belnick.com](http://www.belnick.com)

- \* Your mattress has been compressed for easy and efficient delivery and setup. We know you are excited to put it to use!
- \* Please unwrap it carefully, as your mattress is eager to get out of this small box.
- \* And, give your mattress time to decompress. It just needs a moment to relax and recharge itself into an optimal position.
- \* Lastly, it is natural to sense a subtle odor once unpackaged, so no hard feelings. This too shall pass and you both will be like peas in a pod in no time.