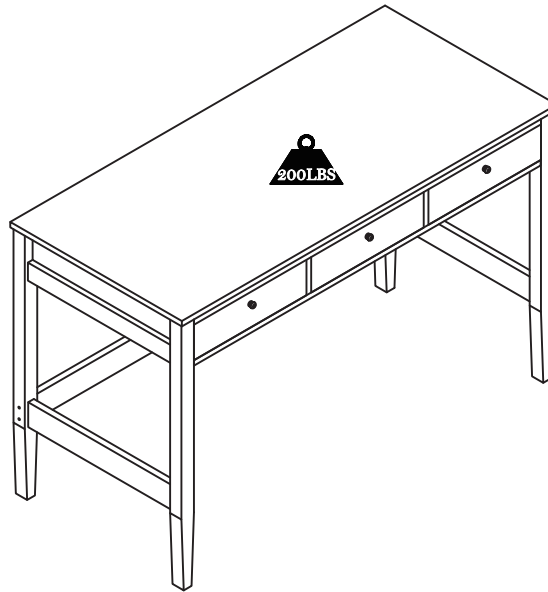




# Computer Desk

196861189418  
196861189432



## ASSEMBLY INSTRUCTIONS

**Before You Begin: A Phillips screwdriver is required (Not Included).**

Please identify all component parts and hardware pieces required before you begin. Carefully remove all of the components from the packaging and set aside for assembly. Assemble on a soft surface to prevent scratching during assembly.

### Caution:

Tighten all components securely before use. Failure to do so may result in personal injury. DO NOT use any sharp objects to open plastic wrapped components as damage to product or components may result.

### Warning:

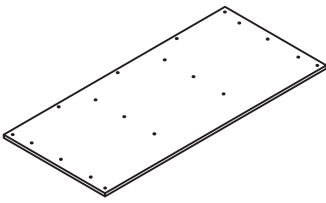
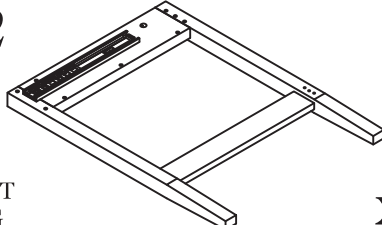
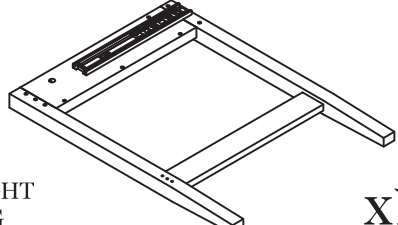
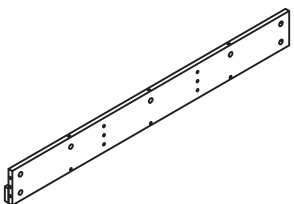
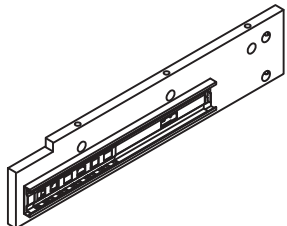
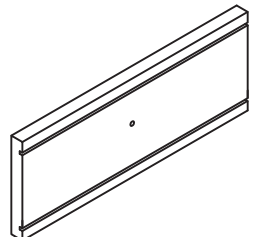
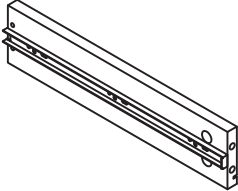
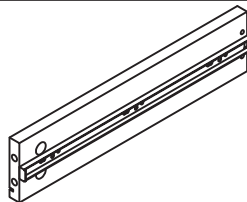
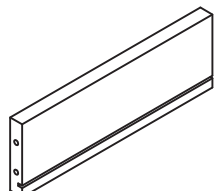
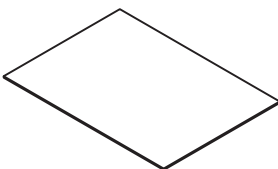
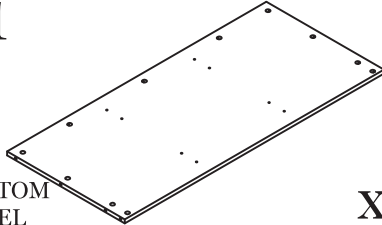
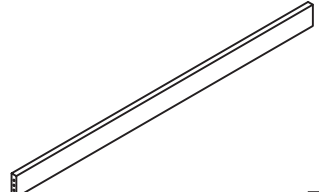
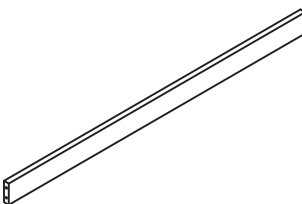
CHOKING HAZARD - Small Parts. Adult Assembly Required.

### DO NOT ALLOW CHILDREN TO CLIMB ON FURNITURE




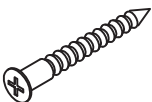
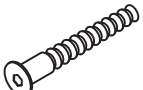



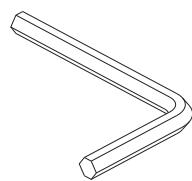
Serious or fatal injuries can occur from furniture tipping over. You must install the Tipping Restraint Hardware (where included) to help prevent the unit from tipping and causing accidental injury, instability, death or damage. The tipping restraint is intended only as a safety measure, it is not a substitute for proper adult supervision.

To prevent furniture from tipping over it must be permanently attached to the wall. Anti-Tip Safety Wall Straps suitable for the unit weight and wall materials (if not included) should be purchased and installed.

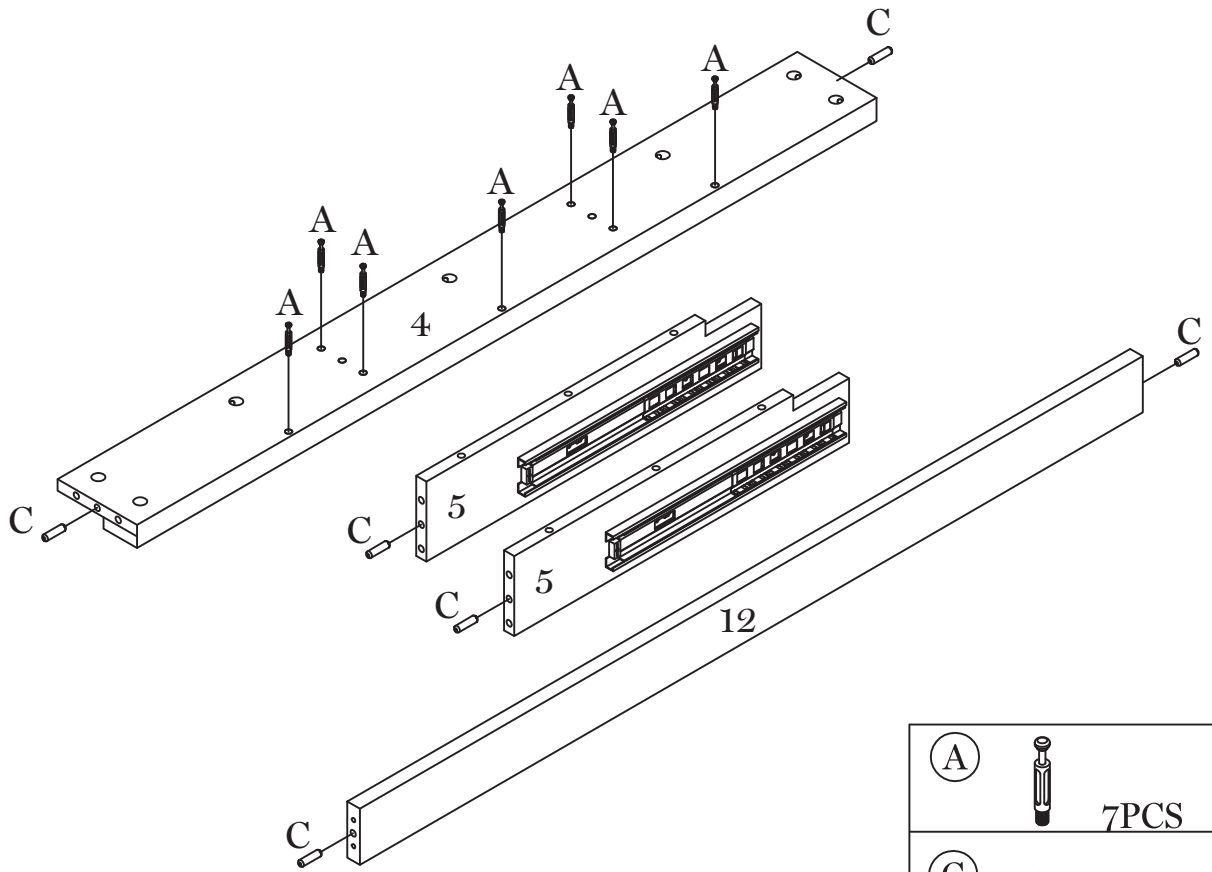
# PARTS



<p><b>1</b></p>  <p>TOP <b>x1</b></p>	<p><b>2</b></p>  <p>LEFT LEG <b>x1</b></p>	<p><b>3</b></p>  <p>RIGHT LEG <b>x1</b></p>
<p><b>4</b></p>  <p>REAR PANEL <b>x1</b></p>	<p><b>5</b></p>  <p>MIDDLE PANEL <b>x2</b></p>	<p><b>6</b></p>  <p>DRAWER PANEL <b>x3</b></p>
<p><b>7</b></p>  <p>DRAWER LEFT PANEL <b>x3</b></p>	<p><b>8</b></p>  <p>DRAWER RIGHT PANEL <b>x3</b></p>	<p><b>9</b></p>  <p>DRAWER BACK PANEL <b>x3</b></p>
<p><b>10</b></p>  <p>DRAWER BOTTOM PANEL <b>x3</b></p>	<p><b>11</b></p>  <p>BOTTOM PANEL <b>x1</b></p>	<p><b>12</b></p>  <p>REAR BRACE <b>x1</b></p>
<p><b>13</b></p>  <p>FRONT BRACE <b>x1</b></p>		

# HARDWARE

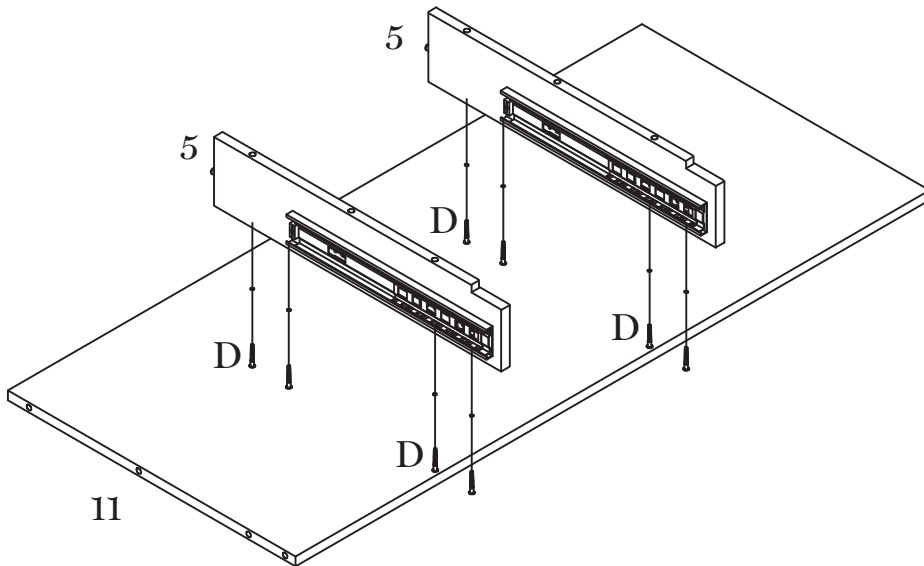
<p><b>A</b></p>  <p>MALE CAMLOCK <b>x50</b></p>	<p><b>B</b></p>  <p>FEMALE CAMLOCK <b>x50</b></p>	<p><b>C</b></p>  <p>WOOD DOWEL <b>x10</b></p>
<p><b>D</b></p>  <p>SELF-TAPPING SCREW M5x50mm <b>x20</b></p>	<p><b>E</b></p>  <p>SELF-TAPPING SCREW M7x70mm <b>x4</b></p>	<p><b>F</b></p>  <p>DRAWER PULL <b>x3</b></p>
<p><b>G</b></p>  <p>HANDLE SCREW M4x18mm <b>x3</b></p>	<p><b>H</b></p>  <p>EVA PAD <b>x4</b></p>	<p><b>I</b></p>  <p>ALLEN WRENCH <b>x1</b></p>

1



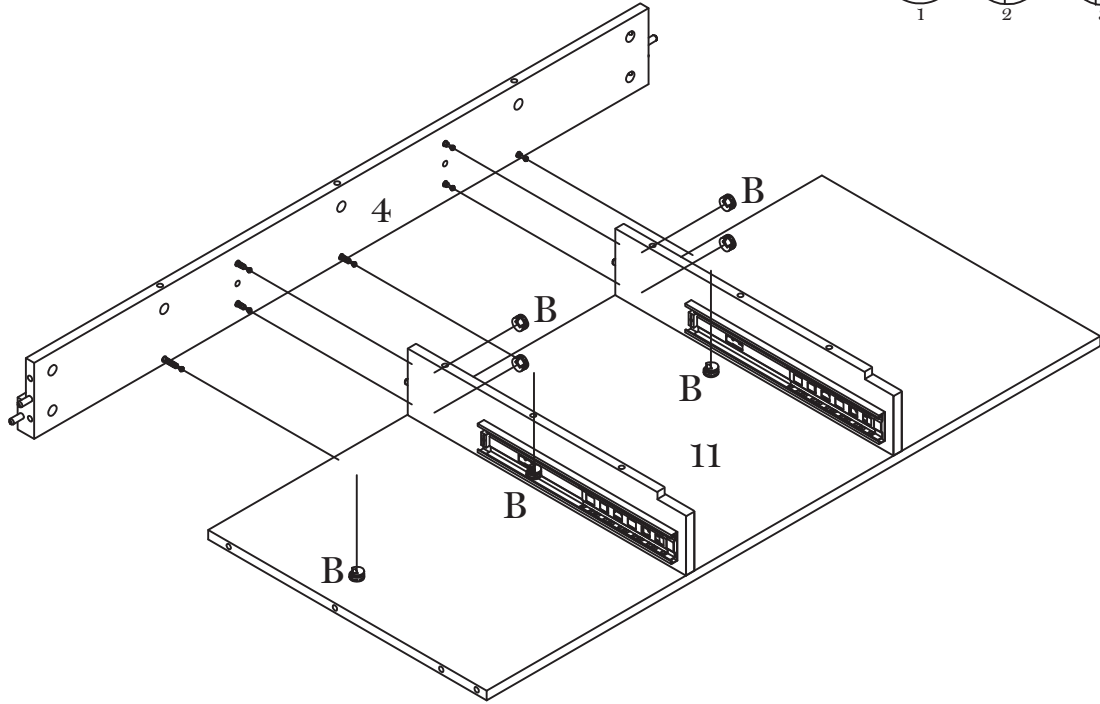
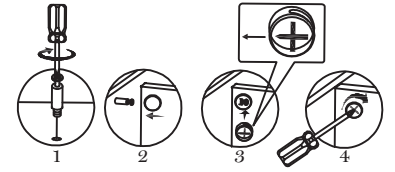
(A)		7PCS
(C)		6PCS

2

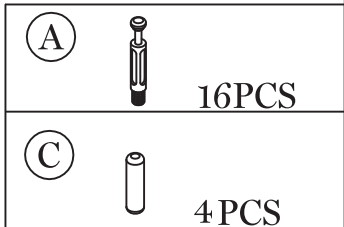
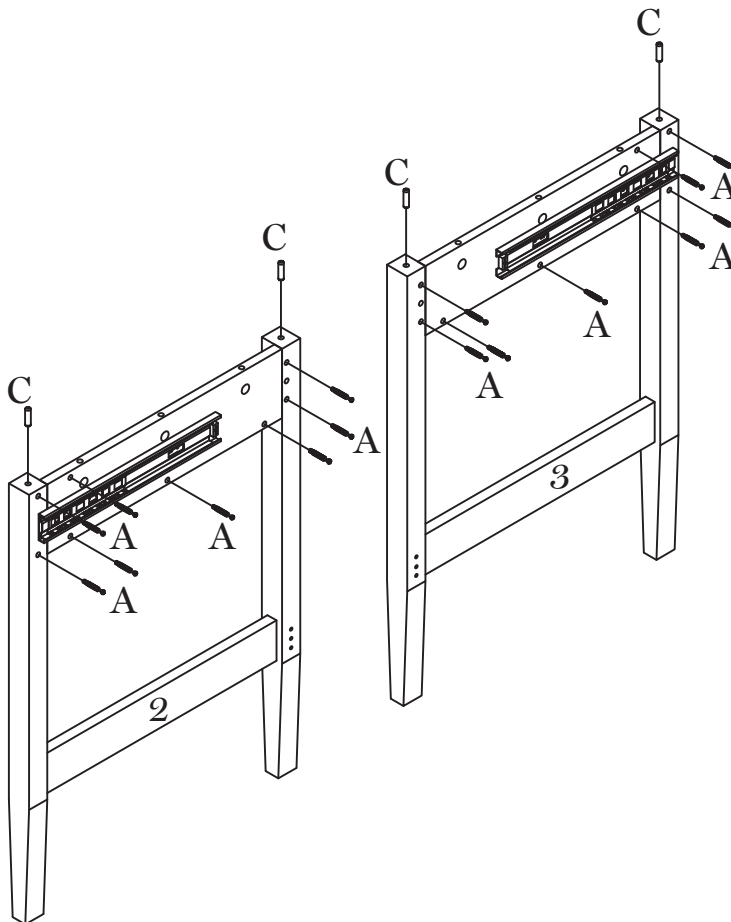


(D)		8PCS
-----	---	------

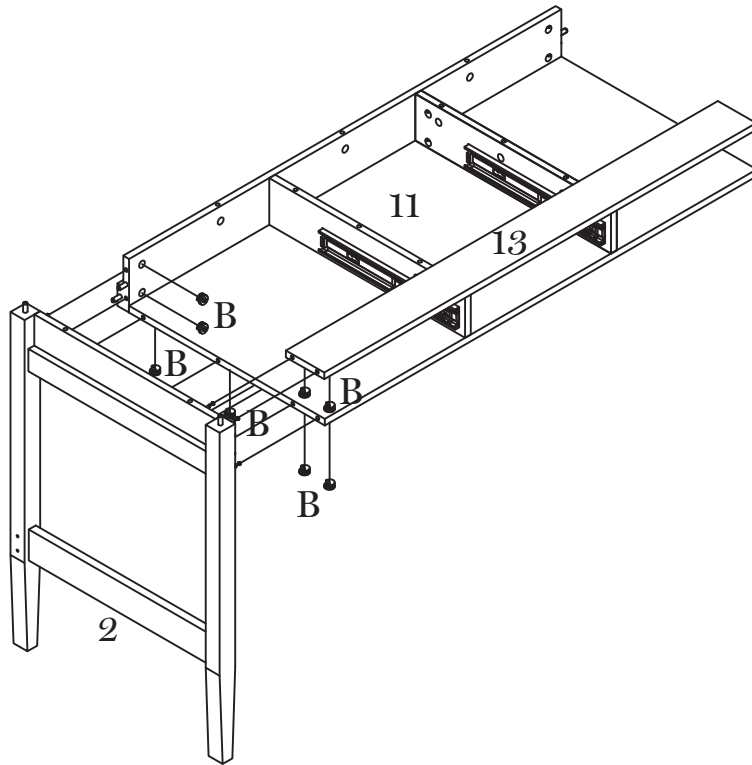
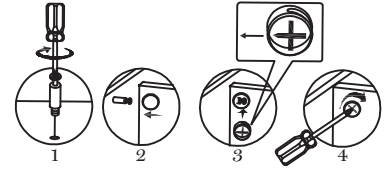
3



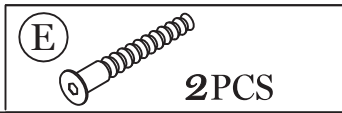
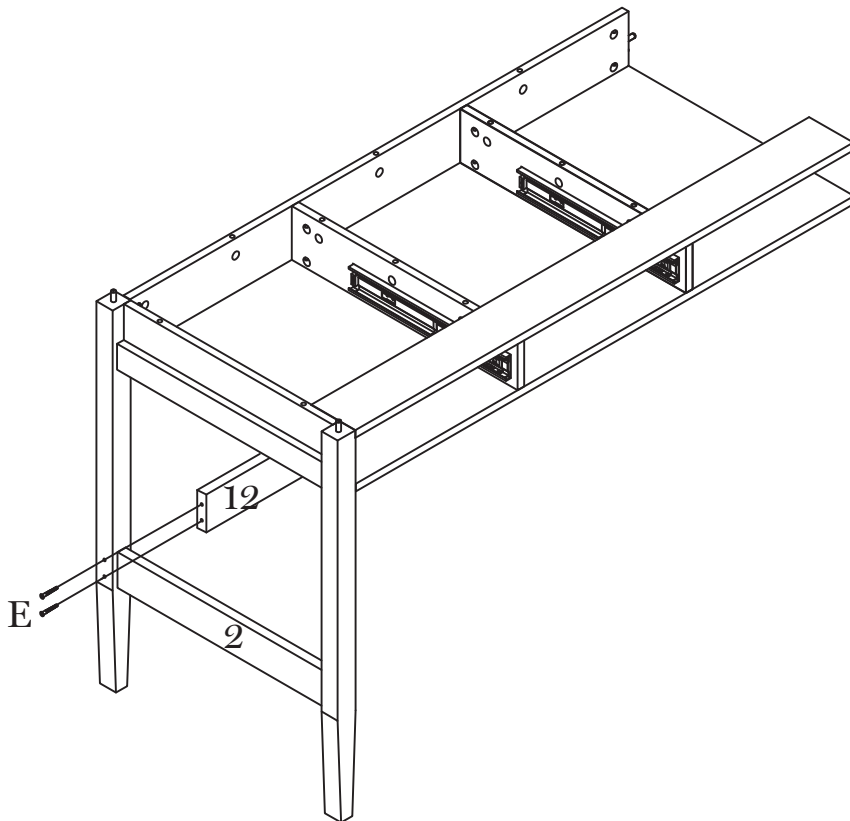
4



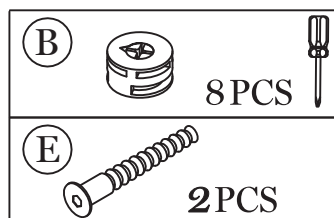
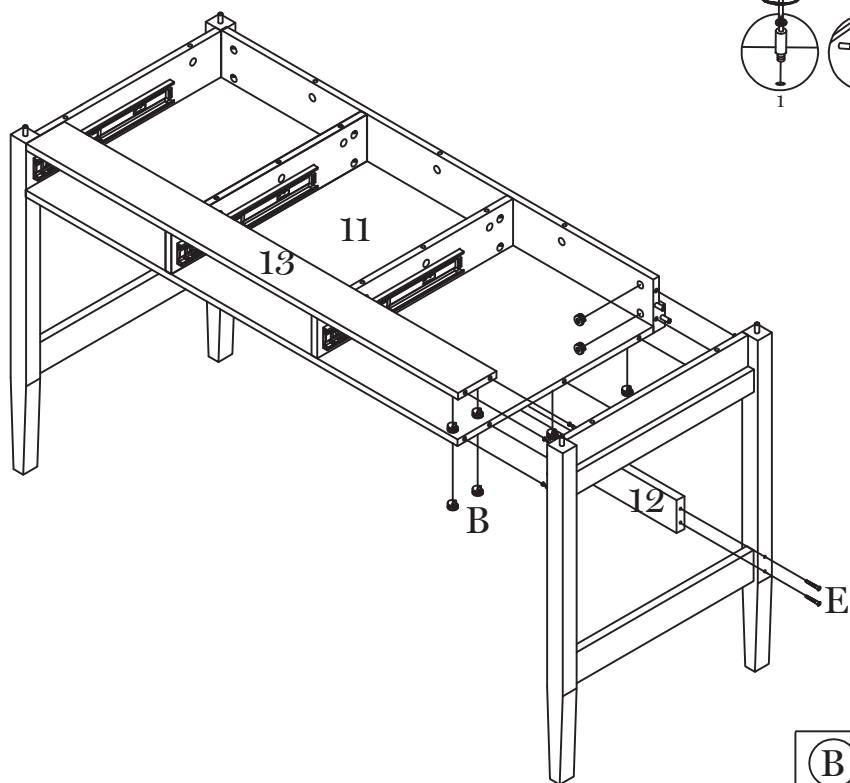
5



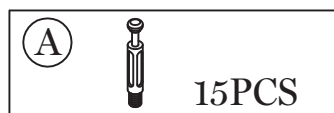
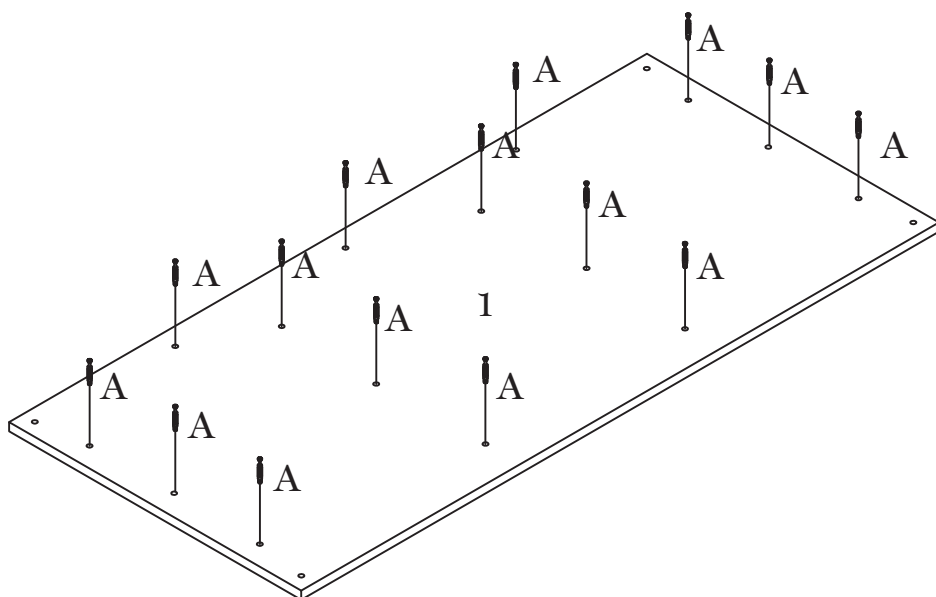
6



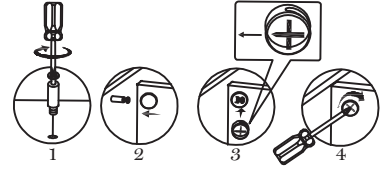
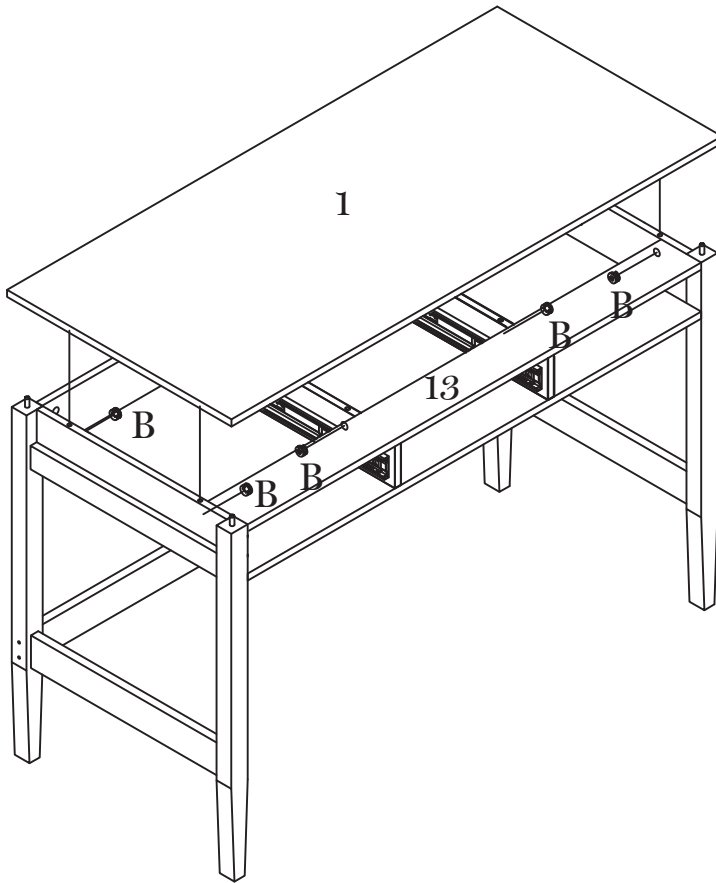
7



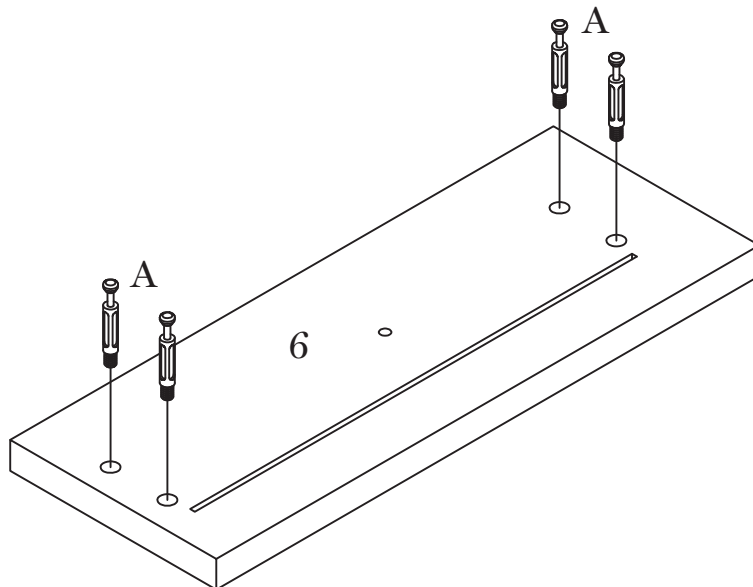
8



9



10

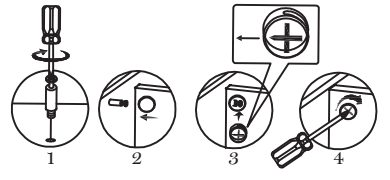
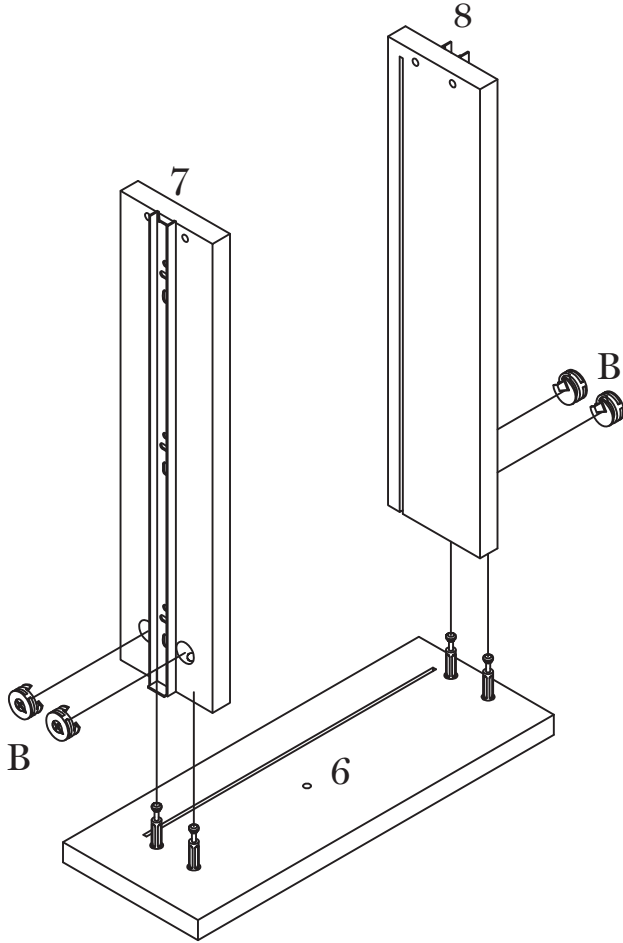


x3



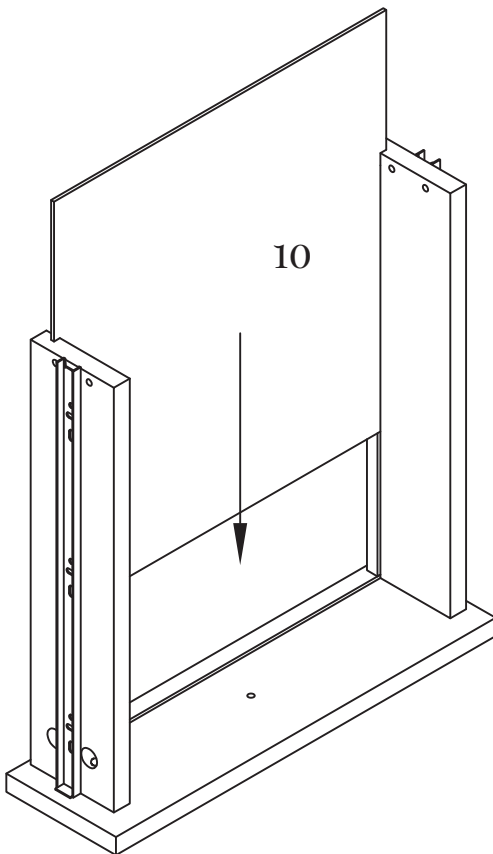
11

x3

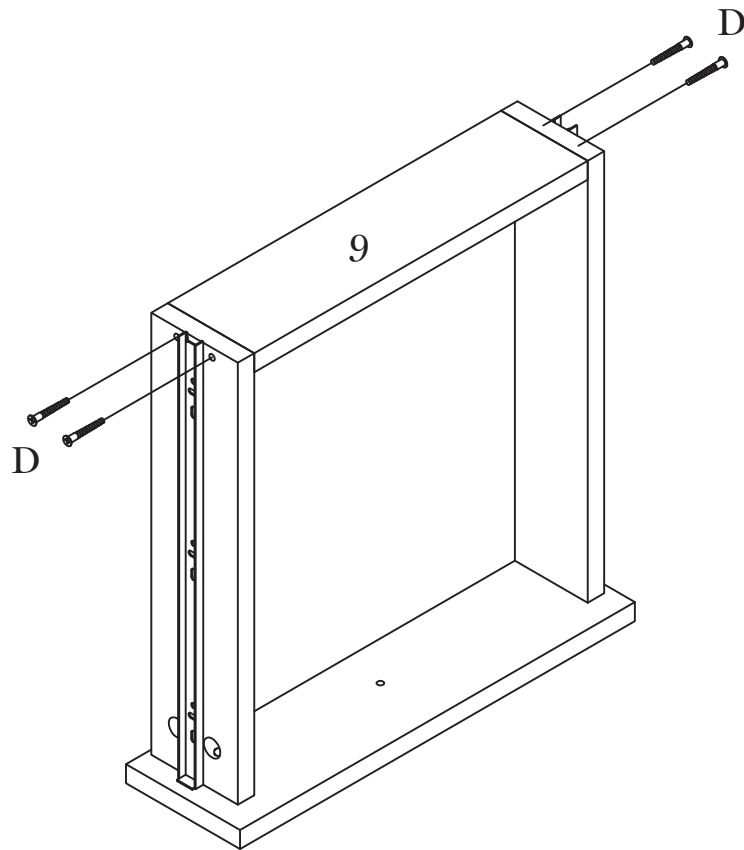


12

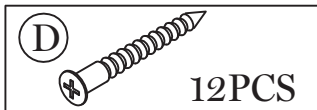
x3



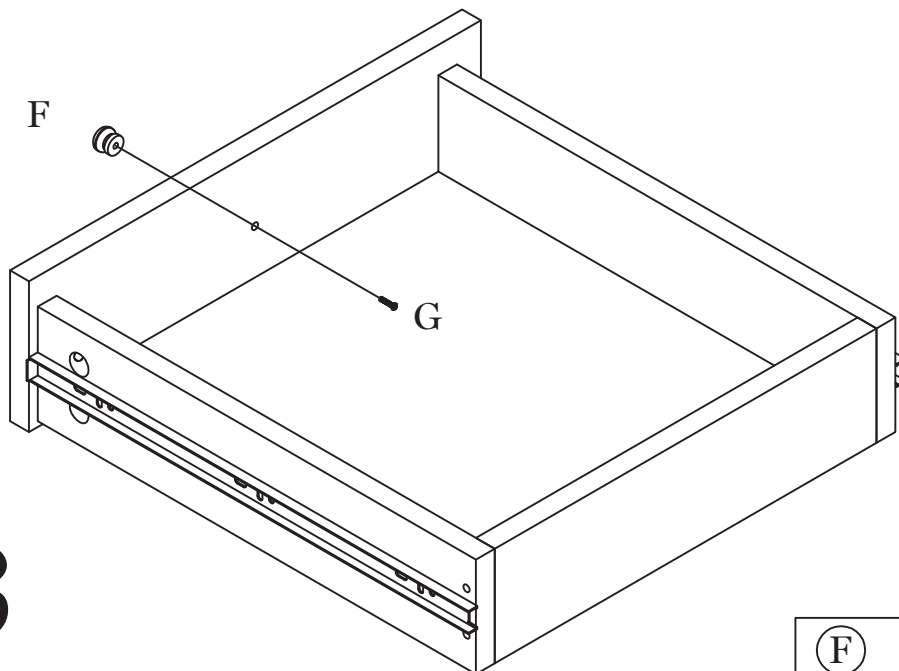
13



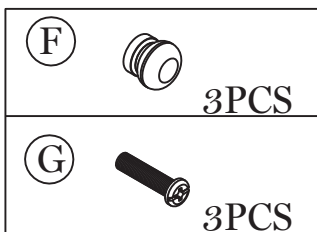
x3



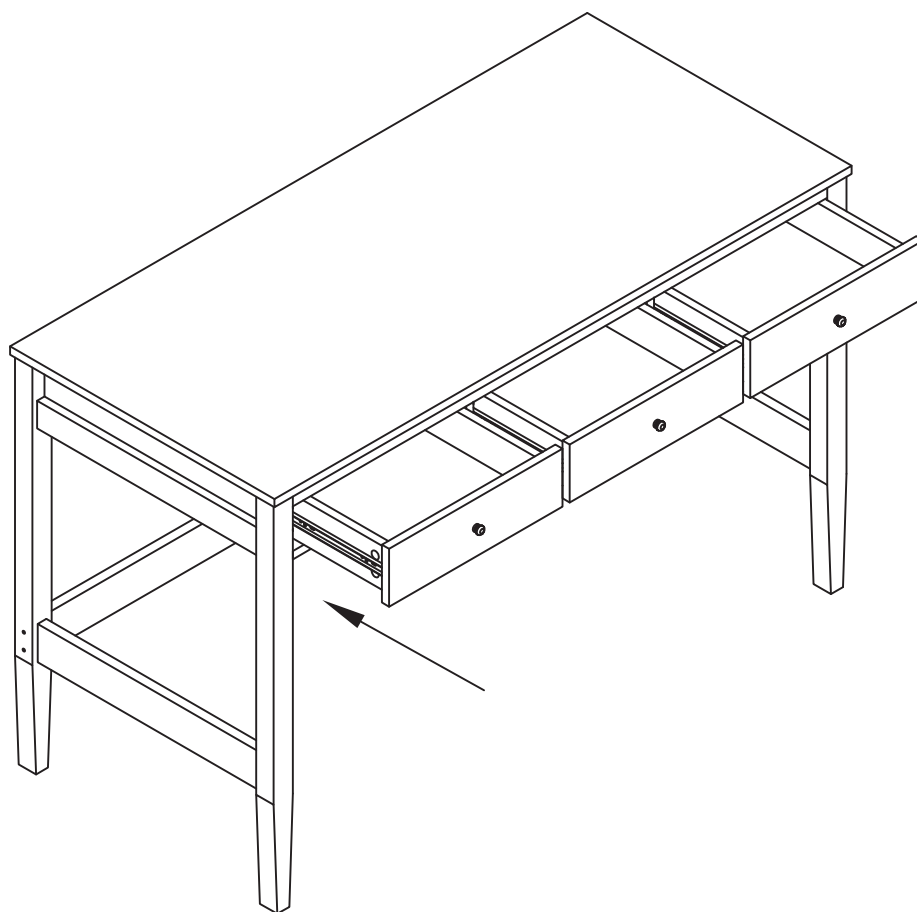
14



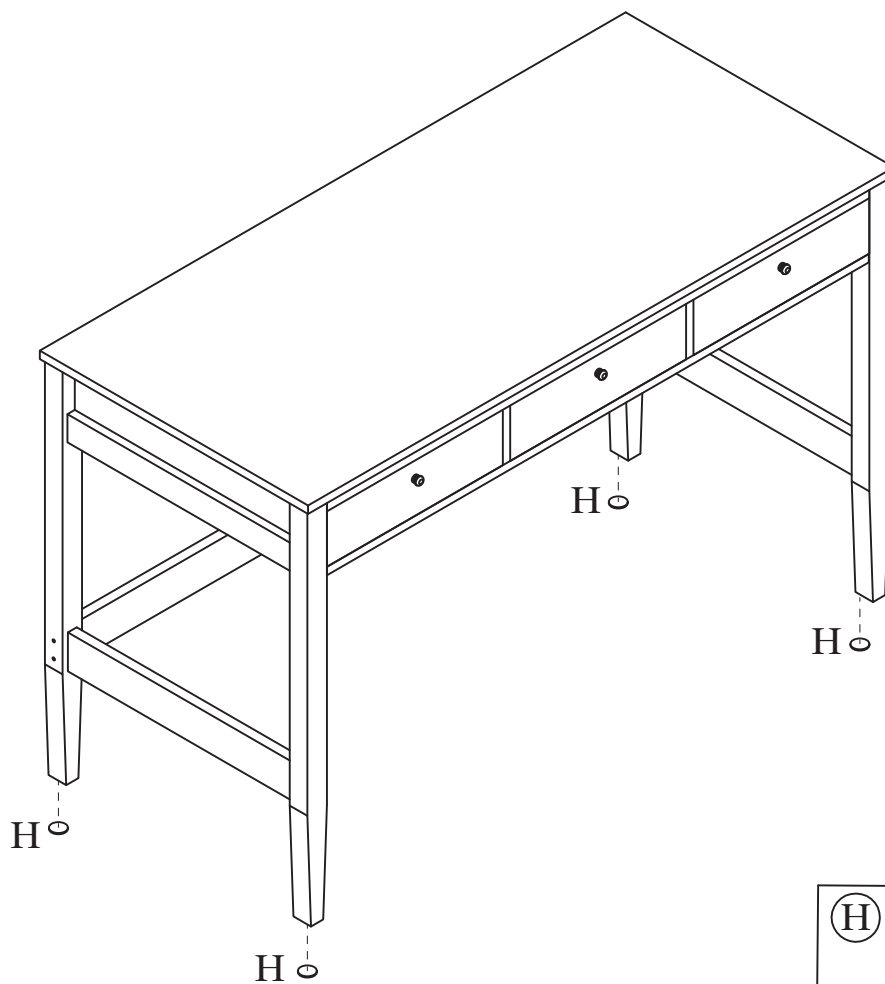
x3



15



16



## Quality and Safety Guidelines

- Please follow the static and dynamic weight capacity limits provided on this item. If you are unsure of the weight capacities for this product, email us at [customerexperience@theubiquegroup.com](mailto:customerexperience@theubiquegroup.com) or call 866-552-2810.
- Please use this item on a stable, level surface only. All desk legs should contact the flooring surface when in use. Do not use this item if any instability is detected.
- Please do not slide this product when moving it. Please team lift the item while repositioning it.
- For maintenance instructions and replacement parts, please email us at [customerexperience@theubiquegroup.com](mailto:customerexperience@theubiquegroup.com) or call 866-552-2810.
- This item is intended to be used as a desk only. Do not climb, stand or sit on this item. Do not use this item as a TV stand. Do not place heavy objects on top of this product.
- The item is intended to be used indoors.
- Please inspect this product regularly to make sure there are no damaged or worn parts. Also inspect to make sure all hardware is tightened correctly and securely. For inspection instructions, please email us at [customerexperience@theubiquegroup.com](mailto:customerexperience@theubiquegroup.com) or call 866-552-2810.
- If any parts are damaged or worn, please stop using the product. Repair this product with manufacturer supplied parts only.
- For product longevity, product safety and product integrity, protect from wet and humid weather or other wet, humid or moist conditions and store indoors in a dry location.
- For additional storage and usage instructions, please email us at [customerexperience@theubiquegroup.com](mailto:customerexperience@theubiquegroup.com) or call 866-552-2810.
- Please visit [www.theubiquegroup.com](http://www.theubiquegroup.com) for our product warranty details or email us at [customerexperience@theubiquegroup.com](mailto:customerexperience@theubiquegroup.com) or call 866-552-2810.