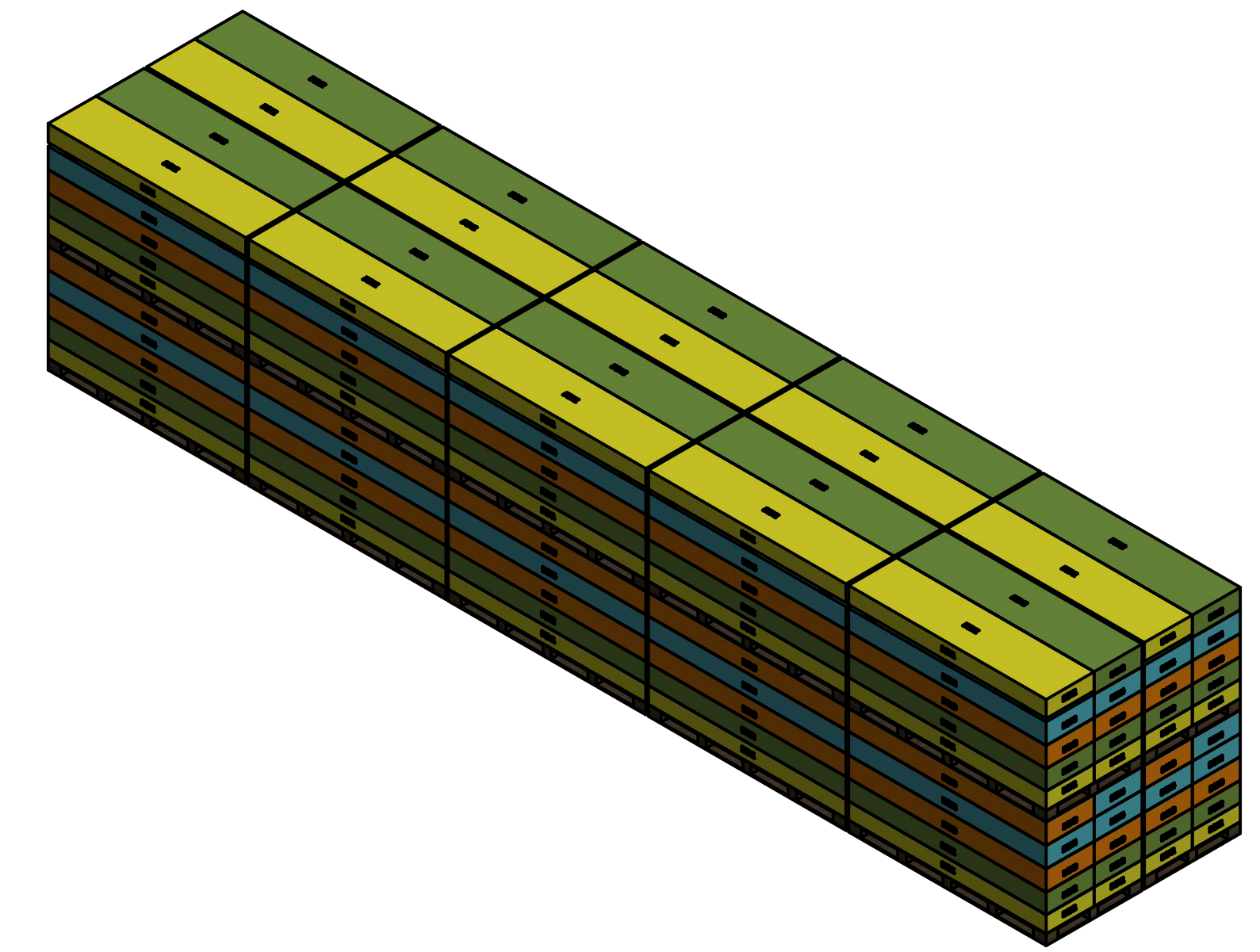


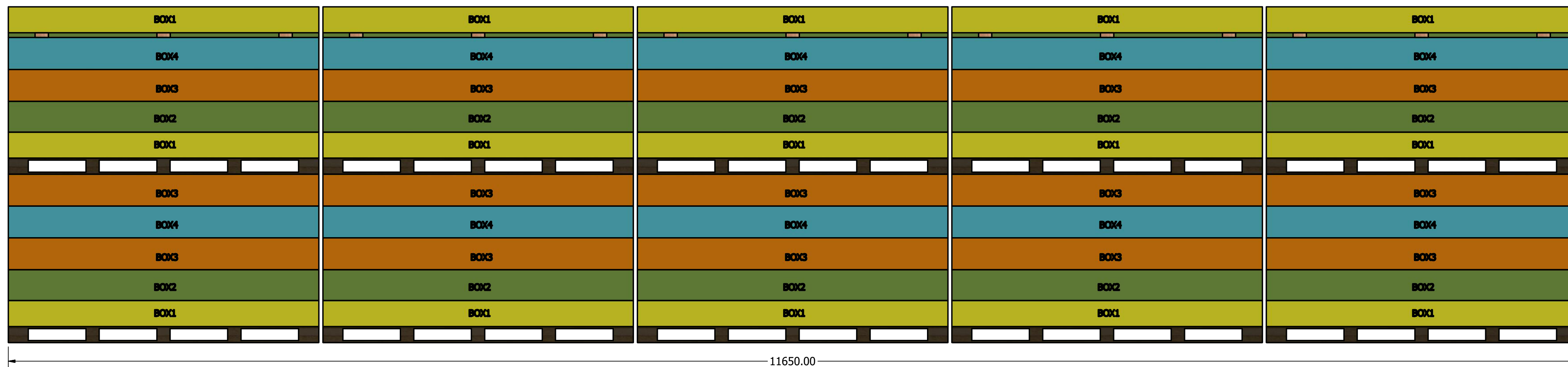
# 2405035 BEAUMONT PERGOLA 24x12 Container Loading Diagram

( 1 set=4 boxes, 50 sets/40HQ, 20 pallets/ 40HQ, Gross weight: 18300kg)

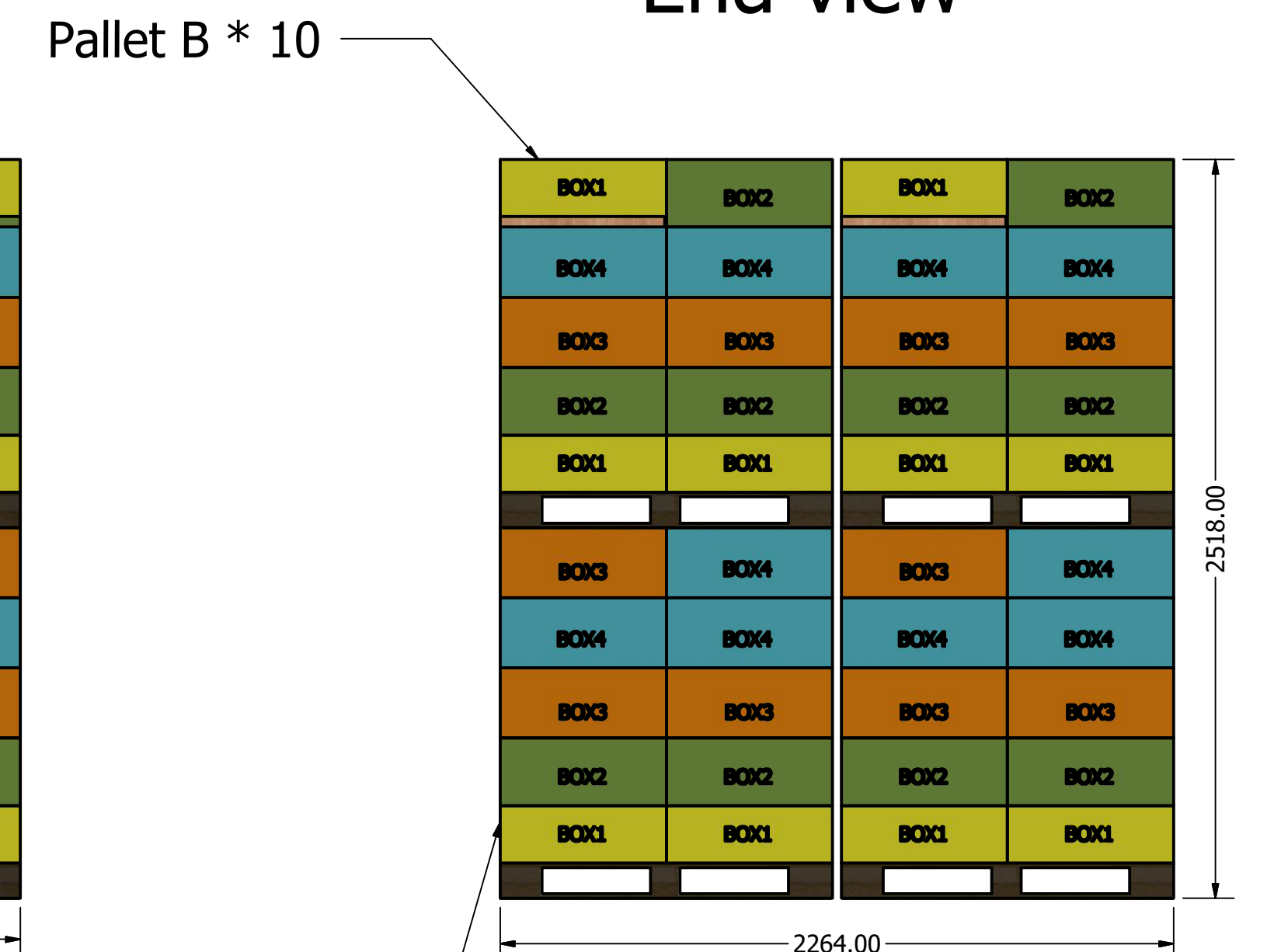
Top view



Side view



End view



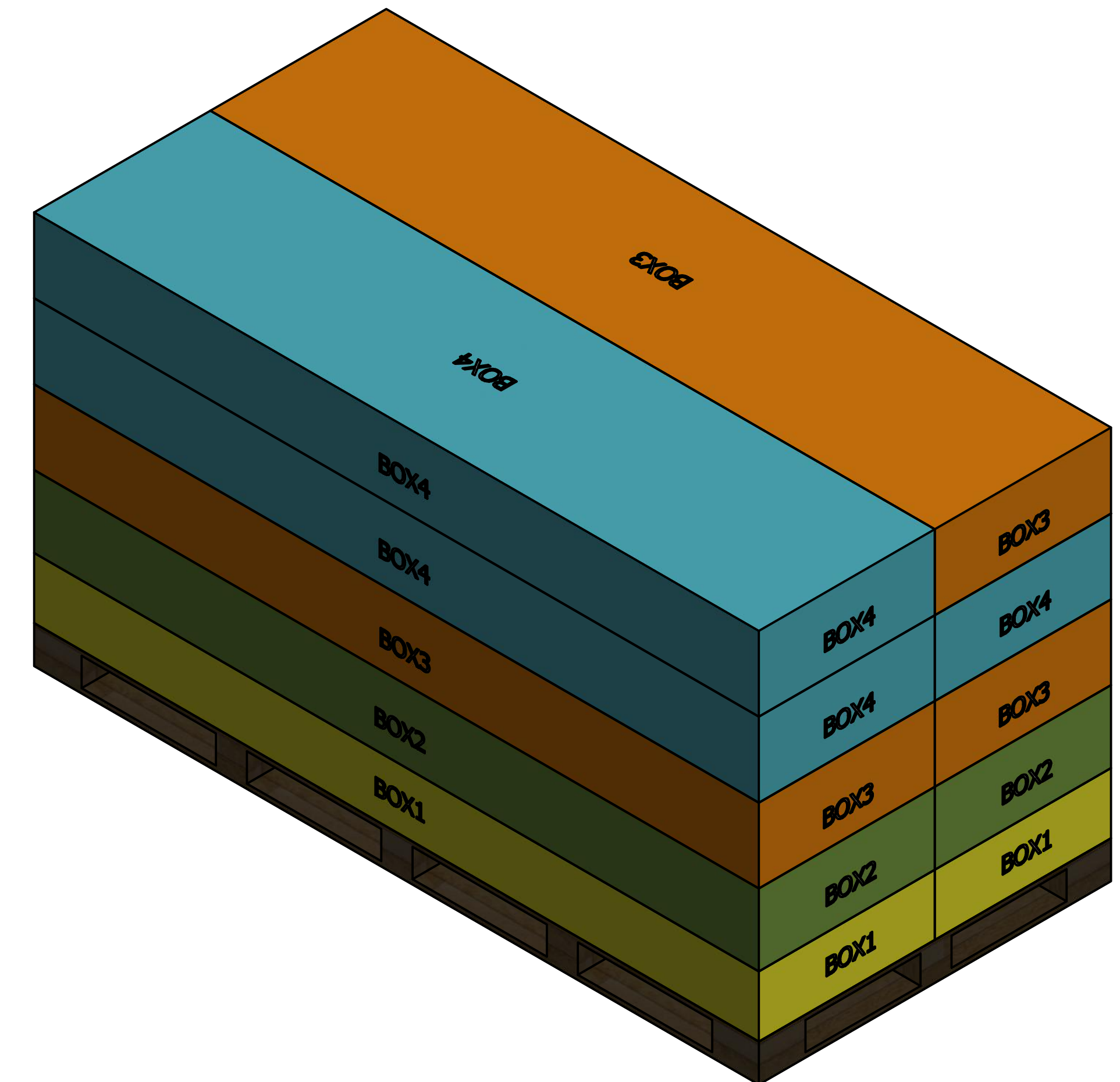
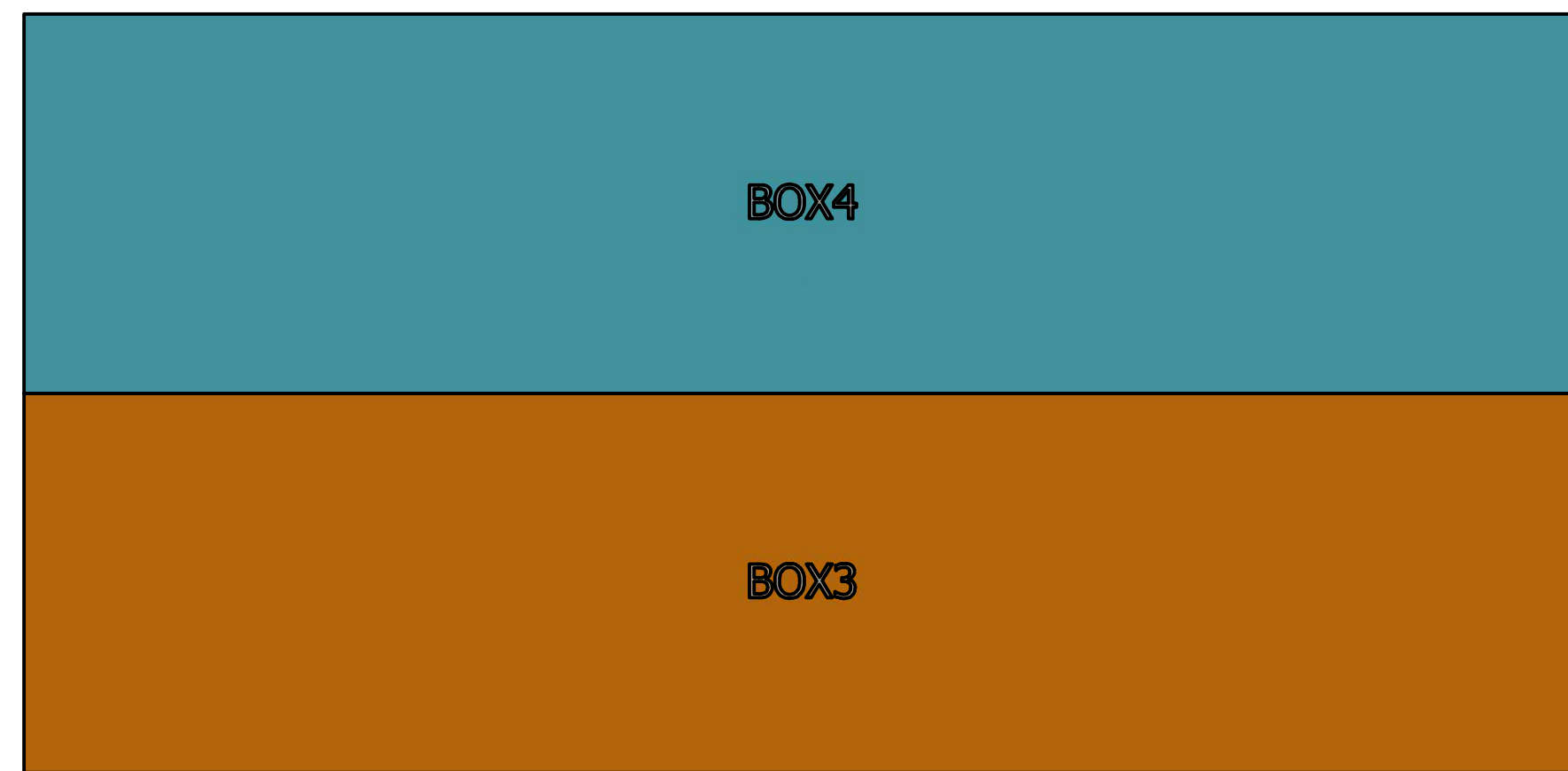
Pallet A \* 10

Pallet B \* 10

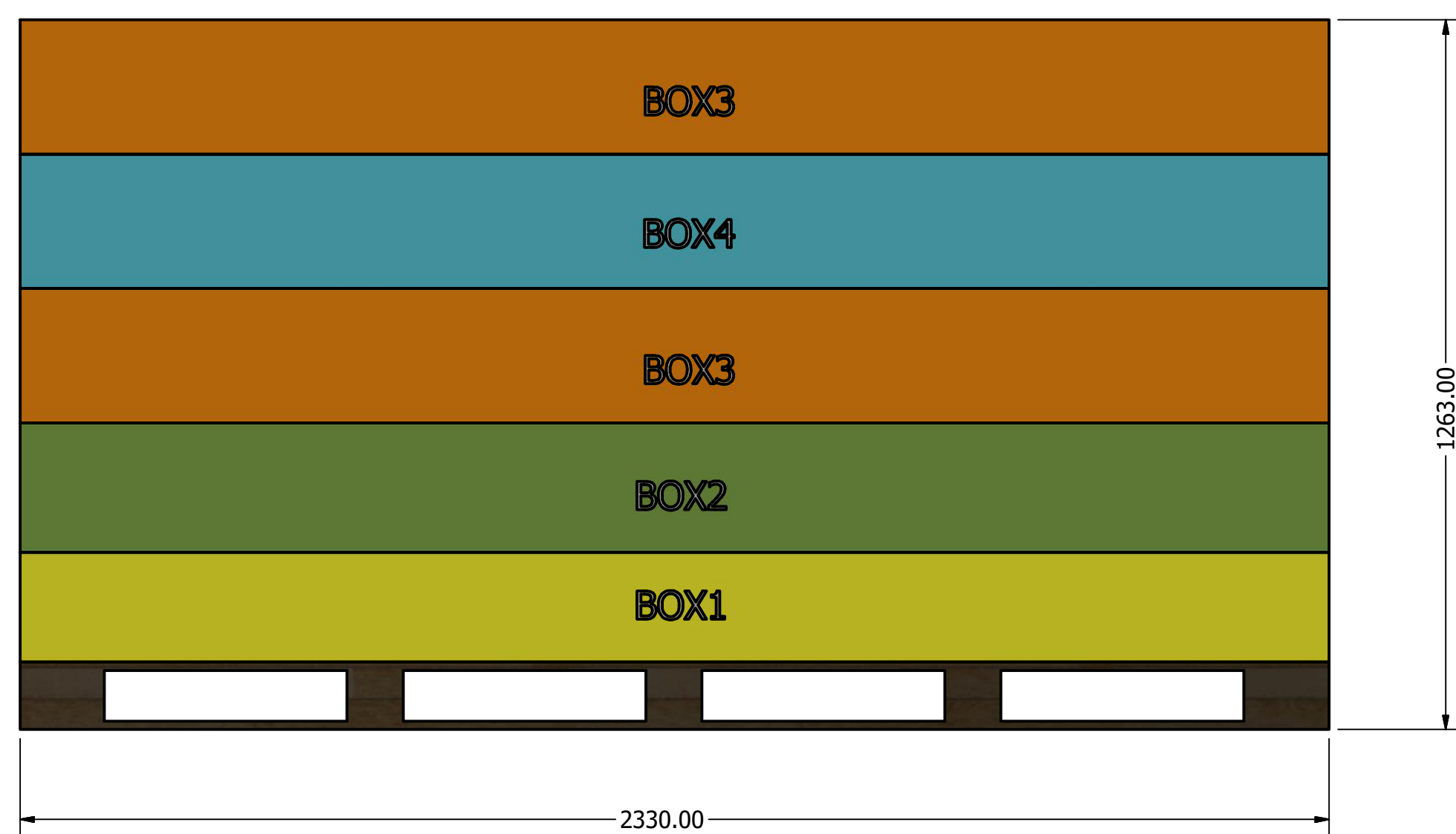
DRAWN Rudy		TITLE		
CHECKED				
QA		DWG NO		
MFG				
APPROVED		SIZE D	REV	
		SCALE 0.05 : 1	SHEET 1 OF 1	

# Pallet A detail (2 units+ Box3\*1+ Box4\*1)

Top View



Side View



End View



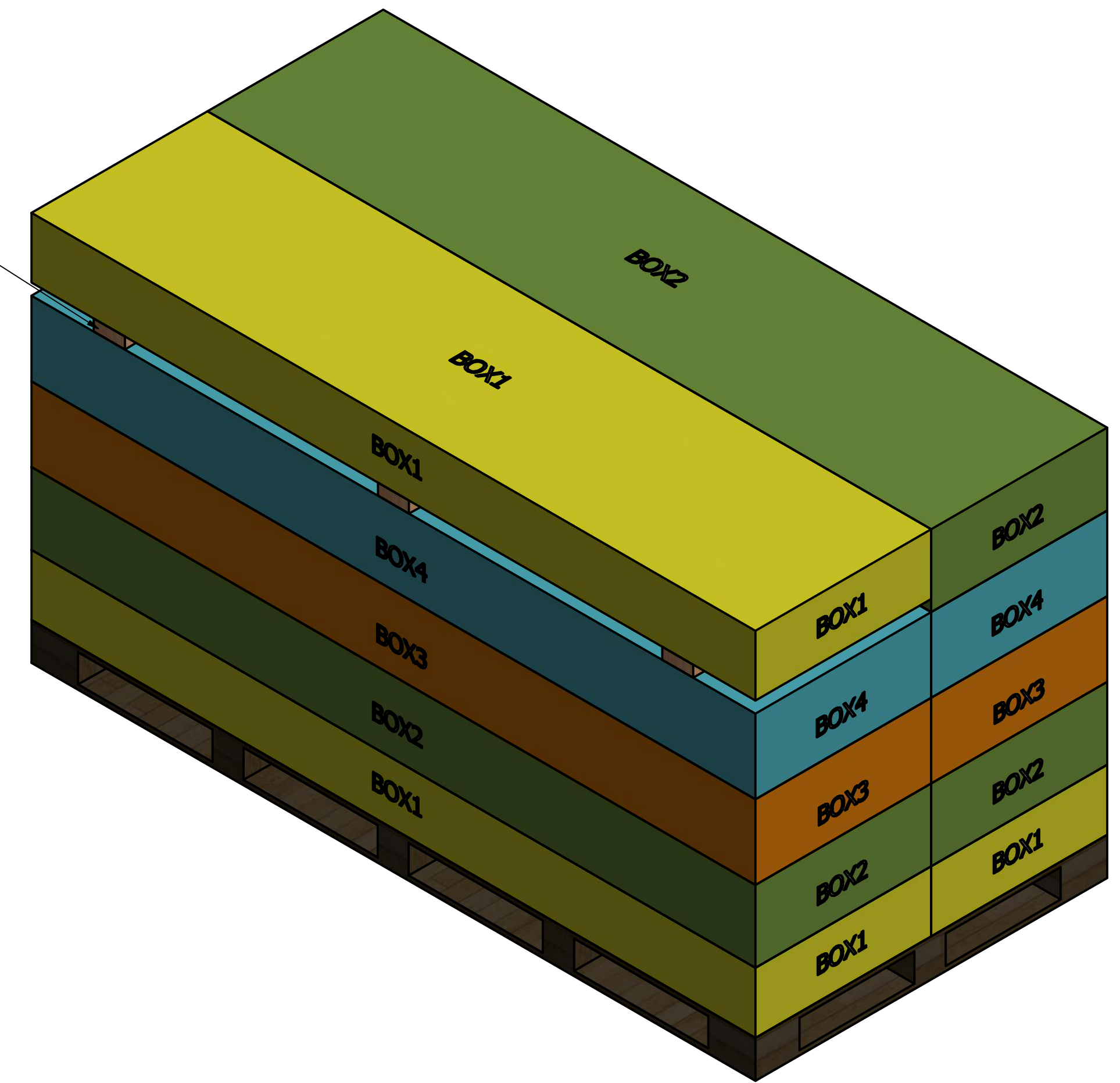
DRAWN Rudy		TITLE		
CHECKED				
QA				
MFG				
APPROVED		SIZE D	DWG NO Pallet A	REV
		SCALE 0.1 : 1	SHEET 1 OF 1	

# Pallet B detail (2 units+Box1\*1+Box2\*1)

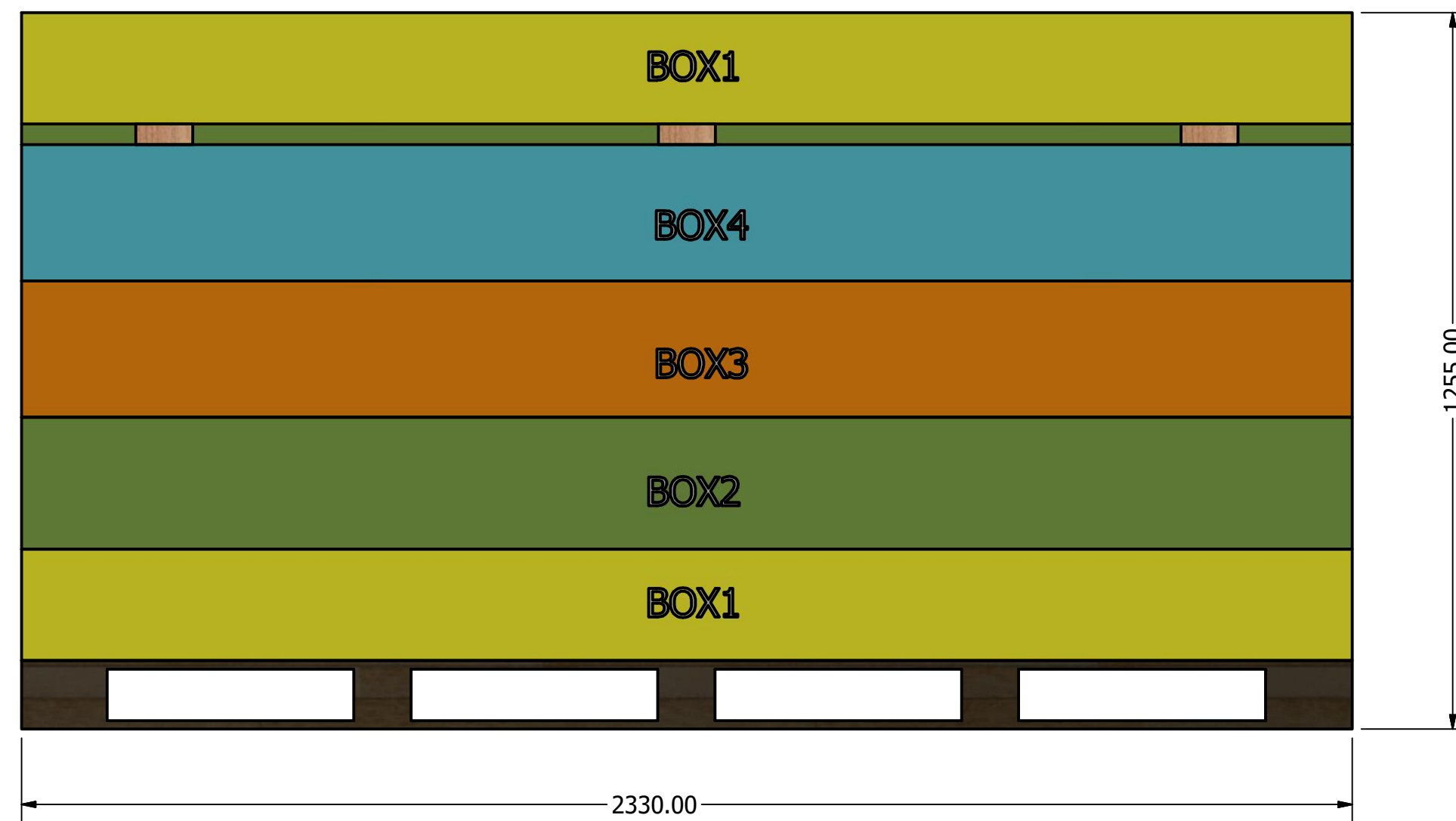
Top View



Wood Block \*3 (550mm\*100mm\*36mm)



Side View

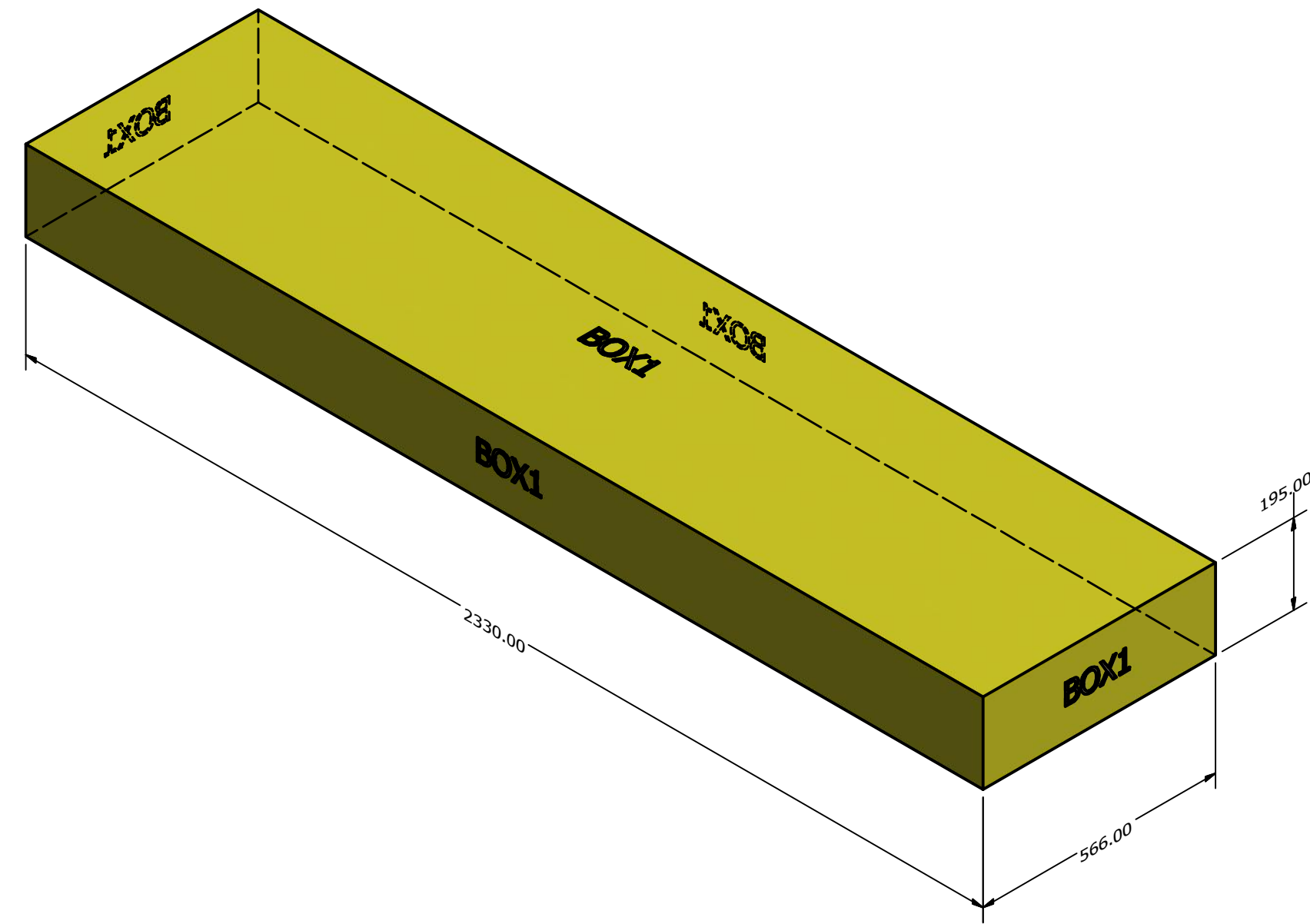


End View

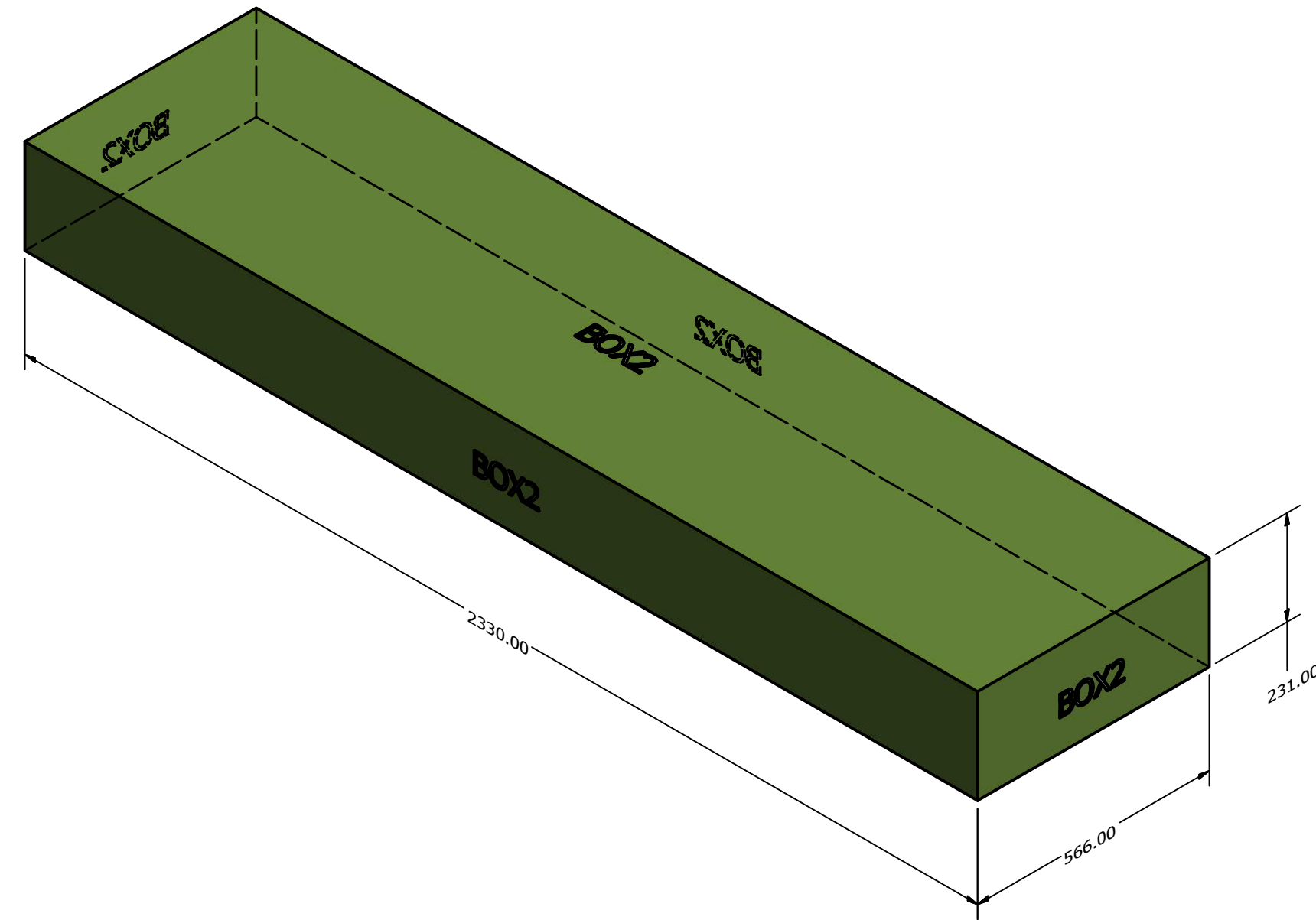


DRAWN Rudy		TITLE		
CHECKED				
QA				
MFG				
APPROVED				
		SIZE D	DWG NO Pallet B	REV
		SCALE 0.1 : 1	SHEET 1 OF 1	

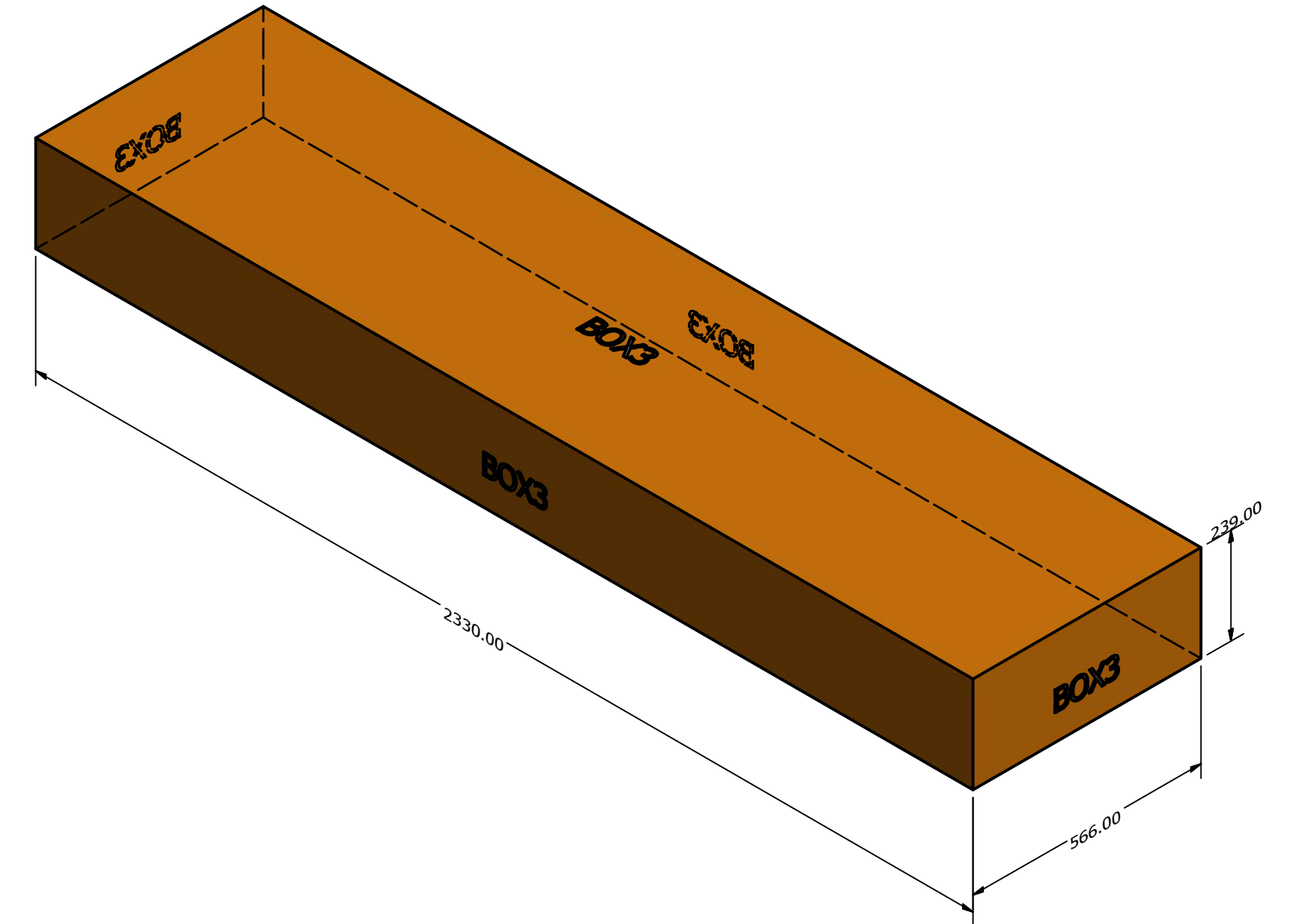
BOX1 (91KG)



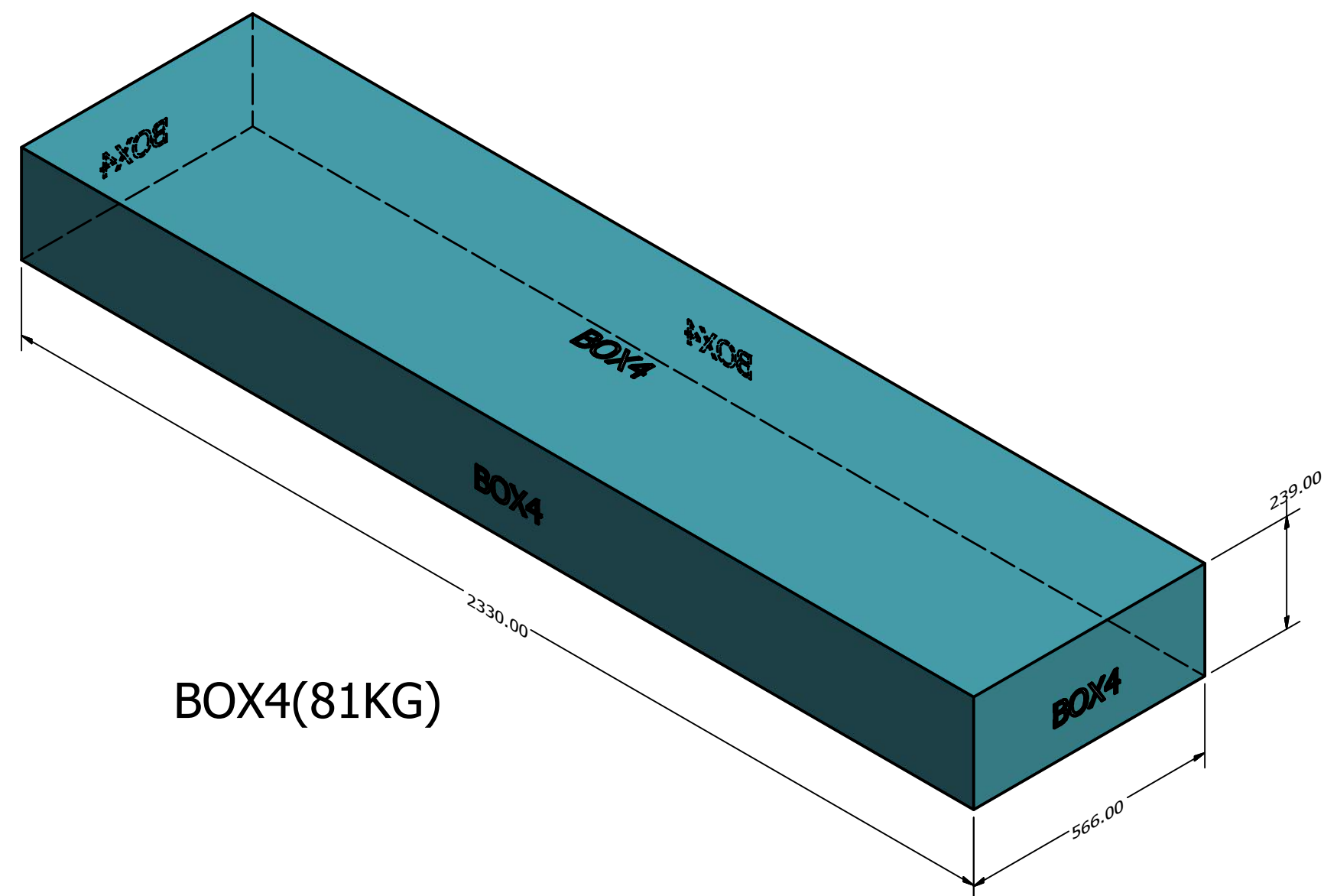
BOX2 (88KG)



BOX3 (86KG)



BOX4(81KG)



DRAWN	Rudy	2019-11-13			
CHECKED			TITLE		
QA					
MFG					
APPROVED					
			SIZE	DWG NO	REV
			D	BOXES	
			SCALE	0.10	SHEET 1 OF 1