

16986_NU - ING Booster

FRONT STICKER A = 134.3mm x 128mm



BACK STICKER B = 168mm x 65mm

EN ⚠ WARNING: Prevent serious injury or death. Do not use in motor vehicles. Intended only for children who can sit unaided, up to 50 lbs/22.6kg. Adult assembly required.
IMPORTANT: Remove all packaging and fasteners before giving product to child. Retain this package for future reference. It contains important information. For single-family use only.
 As an ongoing process, we are constantly improving and updating our products. Pictures on this package may sometimes differ from the product enclosed.

ES ⚠ ADVERTENCIA: Evite lesiones graves o la muerte. No use el producto en vehículos de motor. Diseñado únicamente para niños que pueden sentarse sin ayuda, de hasta 22,6 kg. Se requiere el armado por parte de un adulto.
IMPORTANT: Retire toda la envoltura y los sujetadores antes de entregar el producto al niño. Conserve esta envoltura para usarla como referencia futura. Contiene información importante. Para uso familiar únicamente.
 Como parte de un proceso continuo, mejoramos y actualizamos constantemente nuestros productos. A veces, las imágenes de este paquete pueden ser diferentes del producto que se encuentra en el interior.

FR ⚠ AVERTISSEMENT : Éviter tout risque d'accident grave ou de décès. Convient uniquement aux enfants qui peuvent s'asseoir sans aide et pesant jusqu'à 22,6 kg. Le montage doit être effectué par un adulte.
IMPORTANT: Retirer l'ensemble de l'emballage et toutes les sangles avant de remettre le produit à l'enfant. Conserver l'emballage pour consultation ultérieure. Il contient des informations importantes. Pour un usage familial uniquement.
 Dans le cadre d'un processus continu, nous améliorons et actualisons constamment nos produits. Les illustrations figurant sur cet emballage peuvent parfois différer du produit qu'il contient.

BACK STICKER C = 125mm x 65mm

MANUFACTURED FOR - FABRIQUÉ POUR: **Ingenuity Kids** ©2024 KIDS2, LLC
 KIDS2, LLC ATLANTA, GA USA 30305 +1 678-230-9190 www.kids2.com/help
 IMPORTED BY - IMPORTÉ PAR:
 KIDS2 CANADA CO. PO BOX 54059, RPA LAWRENCE PLAZA, TORONTO, ON, M6A 3B7
 KIDS2 AUSTRALIA PTY LIMITED CASTLE HILL, NSW AUSTRALIA 2154 (02) 9894-1855
 KIDS2 JAPAN K.K. c/o ARK Outsourcing KK 4-3-5-704, Ebisu, Shibuya-ku, Tokyo, Japan 150-0013 +03 5322-6081 KIDS2 UK LTD, GROUND FLOOR, SUITE 41A, BREAKSPEAR PARK, BREAKSPEAR WALK, HEMEL HEMPSTEAD, HP7 4TE +44 01532 816 080 KIDS2 EUROPE BV, S KEIZERS, KEIJZERSGRACHT 287, 1016 ED AMSTERDAM, NETHERLANDS +31 20 2410934
 KIDS2 US MEXICO S.A. DE C.V. (S) 5292-8488
 MADE IN CHINA - HECHO EN CHINA - FABRIQUÉ EN CHINE

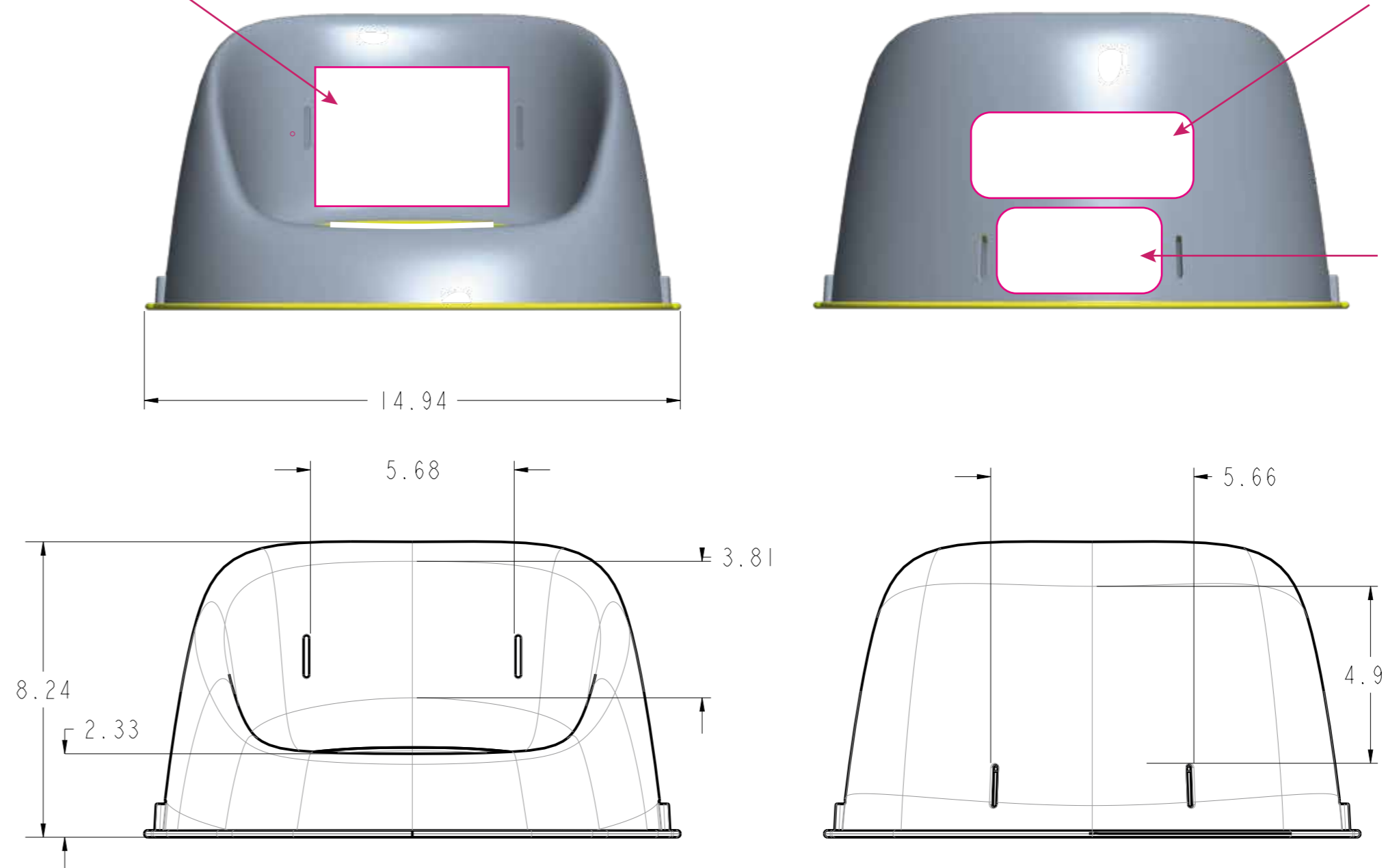
ASTM F2640
 ingenuitybaby.com
 UPC here 80%

BOOSTER PLACEMENT GUIDELINES

FRONT STICKER A placement

BACK STICKER B placement

BACK STICKER C placement



kids2™
 File Name: 16986_NU_STK050924.ai
 Brand: Ingenuity
 Category: Mealtime
 Product Name: Simplicity Seat™ - Blue
 Package Designer:
 Product Manager: XXXXXXXX
 Engineer: XXXXXXXX
 Languages: XXXXXXXX
 Dimensions: N/A see spec

Packaging Prints
 PMS 353 C plus CMYK
 L*81.64 a*-39.47 b*14.56

pressSIGN CMYK 1 Spot_Colourbar_ISO 12647-2 Coated White Backing v6_labels_below i1Pro Contrast Bars.eps

pressSIGN CMYK 1 Spot_Colourbar_ISO 12647-2 Coated White Backing v6_labels_below.eps

There are two color bars on this proof and in the art file. One to be used with X-rite I1 Pro Spectrophotometer. The other can be used with most other spectrophotometers. Printers must repeat one of the two color bars all the way across the width (gripper edge) of the press sheets on sample runs and production runs. Failure to comply will result in the remaking of film and/or plates at your cost. 数码稿以及设计文件包含了两种色带。一种适用于X-rite (爱色丽) I1 Pro 分光光度计, 另一种适用于其它大部分的分光光度计。在打样或者批量生产时, 印刷厂必须选择其中一种色带并重复添加直到覆盖整张纸的宽度(叼口边)。没有按照上述要求而导致重新出菲林、出版的费用将由印刷厂承担。