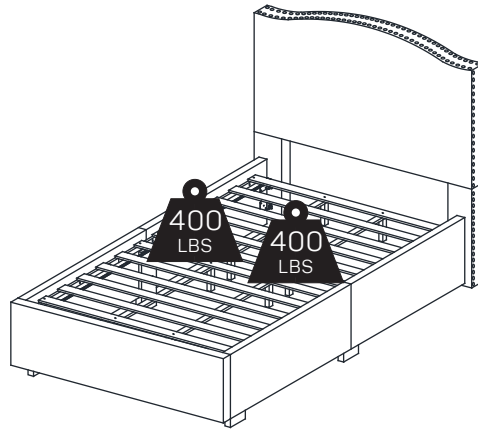
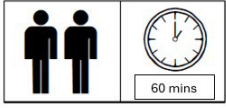


Platform Bed With Storage

889142927655
889142927624



ASSEMBLY INSTRUCTIONS

Before You Begin: **Phillips screwdriver or a power drill and hammer require for assembly (Not Included).**



NOTE: This item ships in more than one box, please ensure you have all parts before beginning assembly.

Please identify all component parts and hardware pieces required before you begin. Carefully remove all of the components from the packaging and set aside for assembly. Assemble on a soft surface to prevent scratching during assembly.

Caution:

Tighten all components securely before use. Failure to do so may result in personal injury.

DO NOT use any sharp objects to open plastic wrapped components as damage to product or components may result.

Warning:

CHOKING HAZARD - Small Parts Adult Assembly Required.
DO NOT ALLOW CHILDREN TO CLIMB ON FURNITURE

Serious or fatal injuries can occur from furniture tipping over. You must install Tipping Restraint Hardware where included to help prevent the unit from tipping and causing accidental injury, instability, death, or damage. The tipping restraint is intended only as a safety measure, it is not a substitute for proper adult supervision. To help prevent furniture from tipping over it must be permanently attached to the wall.

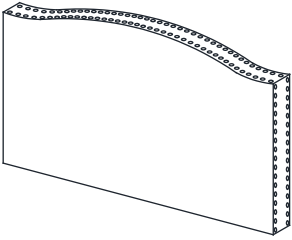
Anti-Tip Safety Wall Straps suitable for the unit weight and wall materials if not included should be purchased and installed.



Customer Service Email: CustomerExperience@theubiquegroup.com | Phone: 866-552-2810

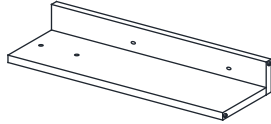
Part

Part 1: Headboard



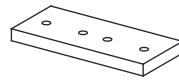
1 pc

Part 2: Headboard Leg



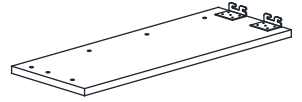
2 pcs

Part 3: Headboard Support Board



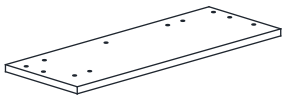
2 pcs

Part 4: Side Rail A



2 pcs

Part 5: Side Rail B



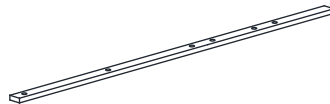
2 pcs

Part 6: Side Rail Support Short Bar



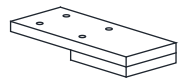
2 pcs

Part 7: Side Rail Support Long Bar



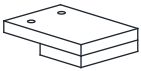
2 pcs

Part 8: Long Side Rail Leg



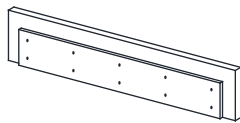
2 pcs

Part 9: Short Side Rail Leg



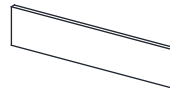
2 pcs

Part 10: Drawer Face



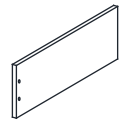
1 pc

Part 11: Drawer Back



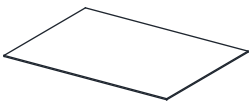
1 pc

Part 12: Drawer Side Rail



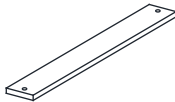
2 pcs

Part 13: Drawer Panel



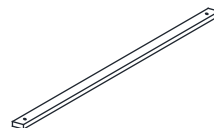
1 pc

Part 14: Drawer Bottom Rail



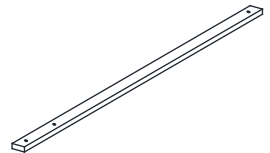
7 pcs

Part 15: Center Support Rail A



2 pcs

Part 16: Center Support Rail B



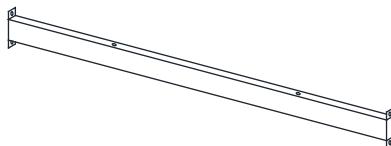
2 pcs

Part 17: Center Support Leg



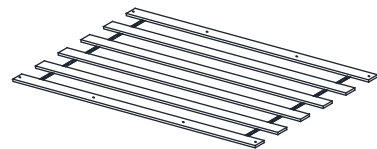
6 pcs

Part 18: Metal Support Bar



1 pc

Part 19: Slats



2 set

Hardware

NOTE: PHILLIPS SCREWDRIVER & HAMMER REQUIRED (NOT INCLUDED)



JCBB M8 X 1 6/8"

JCBB M8 x 45mm

Part A 8 pcs



JCBC M6 X 2 3/8"

JCBC M6 x 60mm

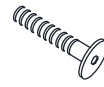
Part B 6 pcs



JCBC M6 X 1 1/2"

JCBC M6 x 40mm

Part C 22 pcs



JCBC M6 X 1 1/8"

JCBC M6 x 30mm

Part D 12 pcs



JCBC M6 X 5/8"

JCBC M6 x 16mm

Part E 4 pcs



FLAT WASHER M8 X 6/8"

Flat Washer M8 x 18mm

Part F 8 pcs



SPRING WASHER M8 X 1/2"

Spring Washer M8 x 13mm

Part G 8 pcs



FLAT WASHER M6 X 6/8"

Flat Washer M6 x 19mm

Part H 4 pcs



SPRING WASHER M6 X 1/2"

Spring Washer M6 x 12mm

Part I 4 pcs



CSK SCREW M4 X 1 1/2"

CSK Screw M4 x 38mm

Part J 8 pcs



CSK SCREW M4 X 1 2/8"

CSK Screw M4 x 32mm

Part K 22 pcs



CSK SCREW M3.5 X 5/8"

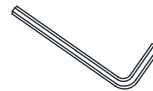
CSK Screw M3.5 x 16mm

Part L 36 pcs



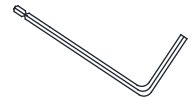
Nail

Part M 24 pcs



Allen Key M4

Part N 1 pc



Allen Key M5

Part O 1 pc



Caster 1 1/2"

Part P 8 pcs

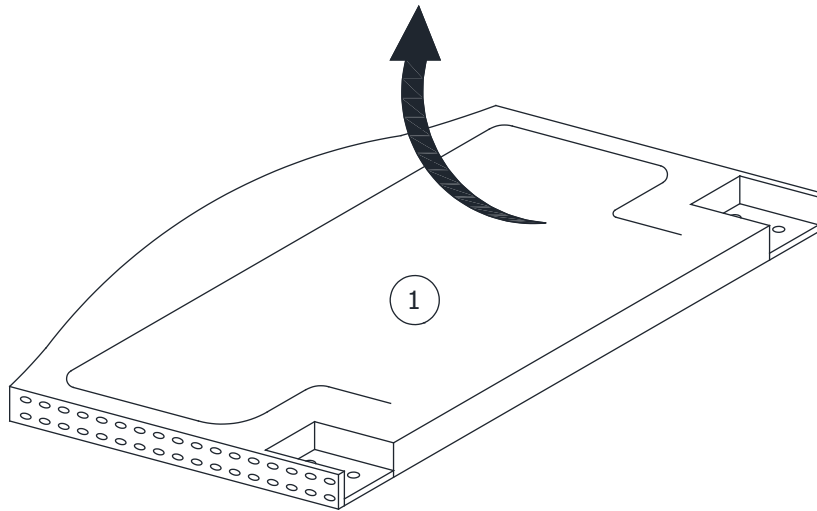


Caster 1"

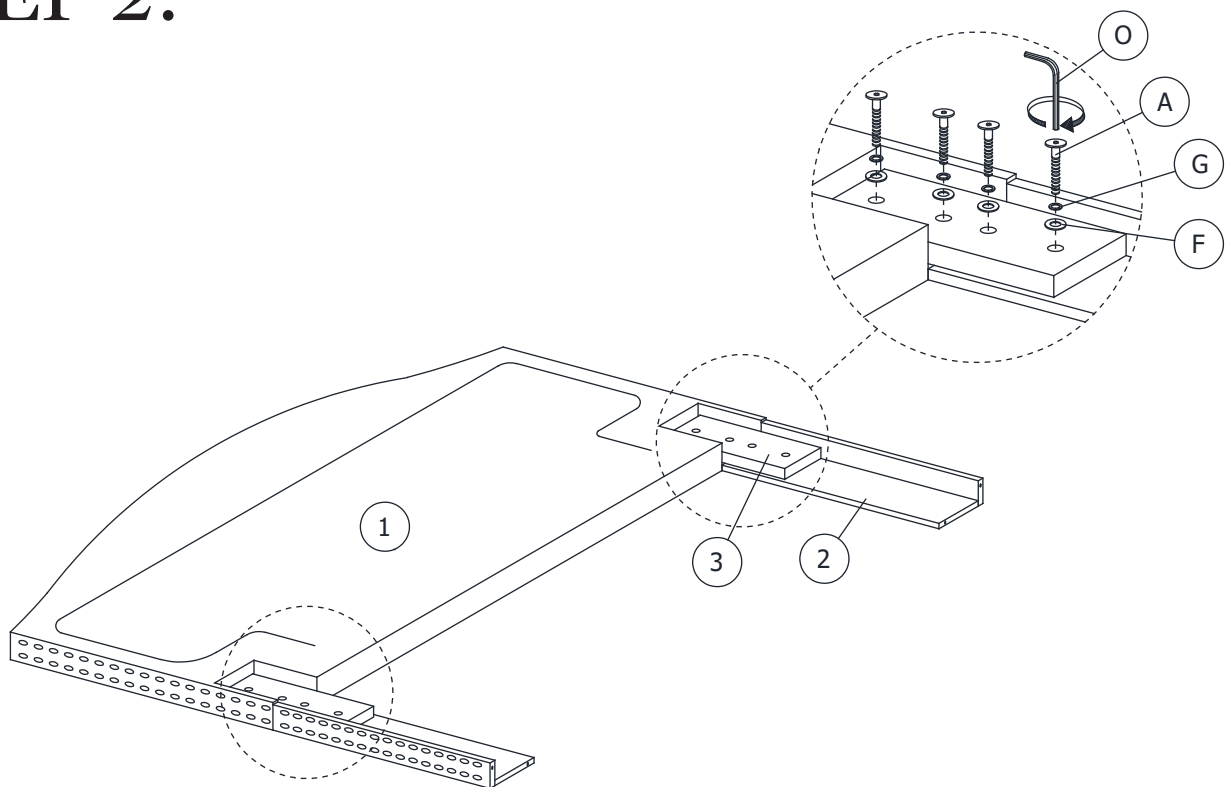
Part Q 2 pcs

STEP 1:

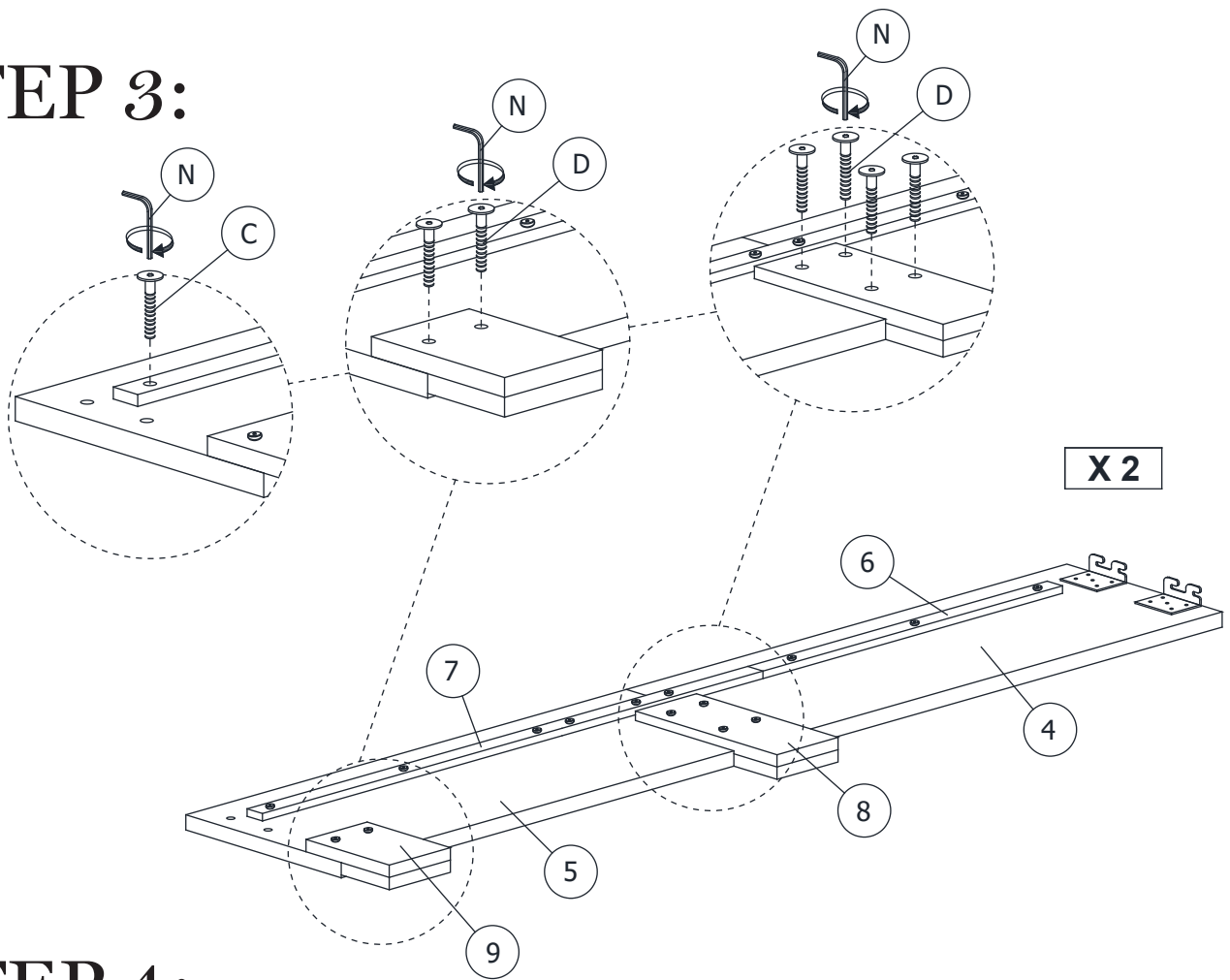
Unzip the black non woven fabric on the back of headboard and remove all parts then zip the fabric closed.



STEP 2:

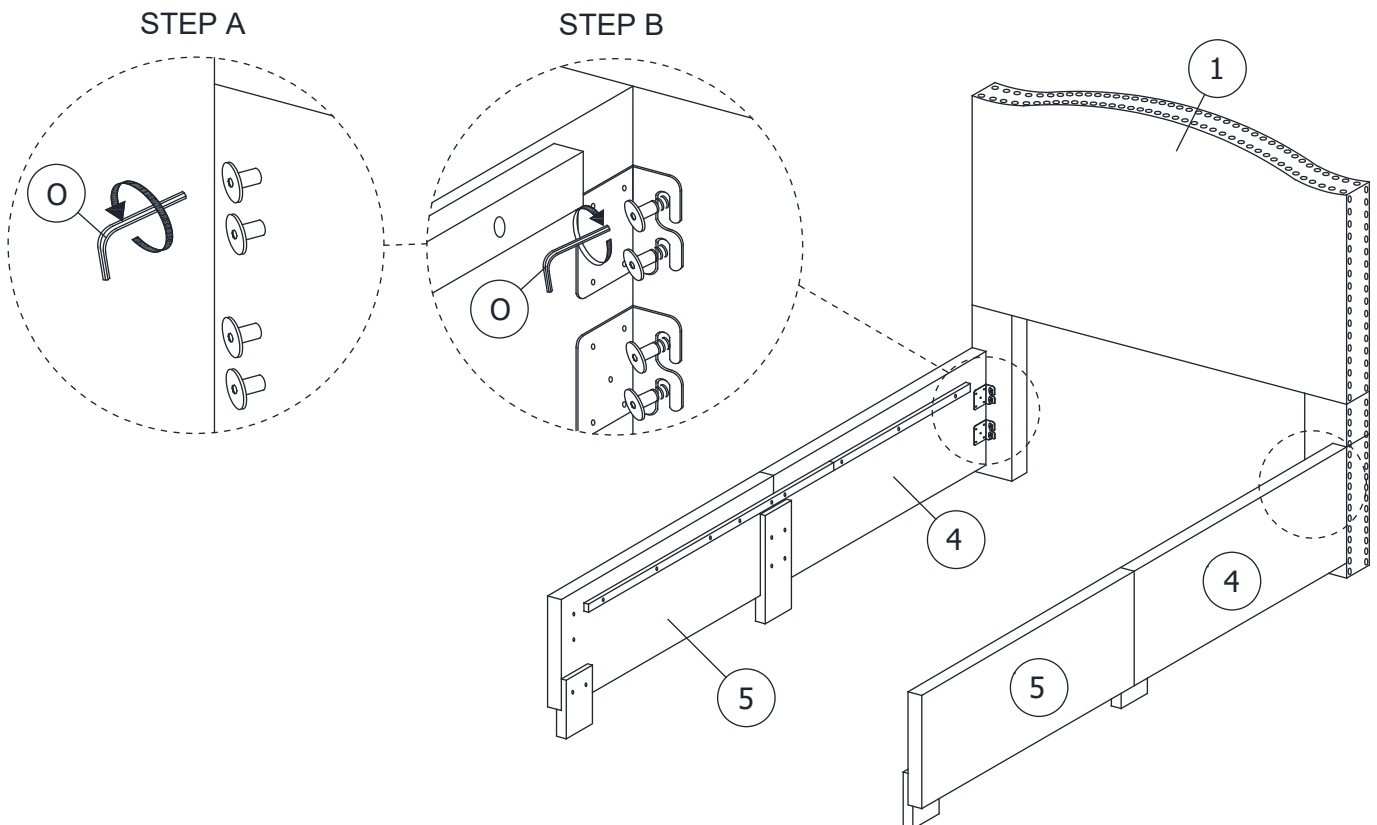


STEP 3:



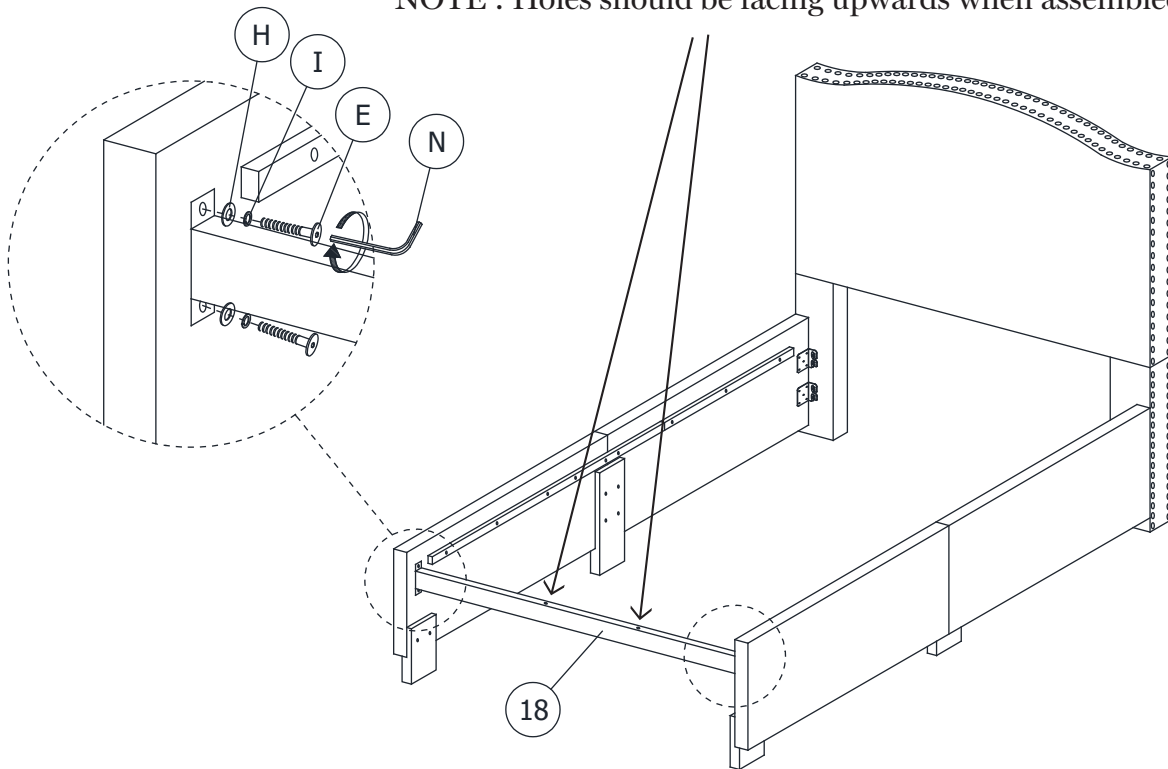
STEP 4:

Use the M5 Allen Wrench (O) to loosen the JCBB bolts preassembled in the headboard but do not remove the bolts. Insert the siderail hangers onto the bolts then tighten the bolts.



STEP 5:

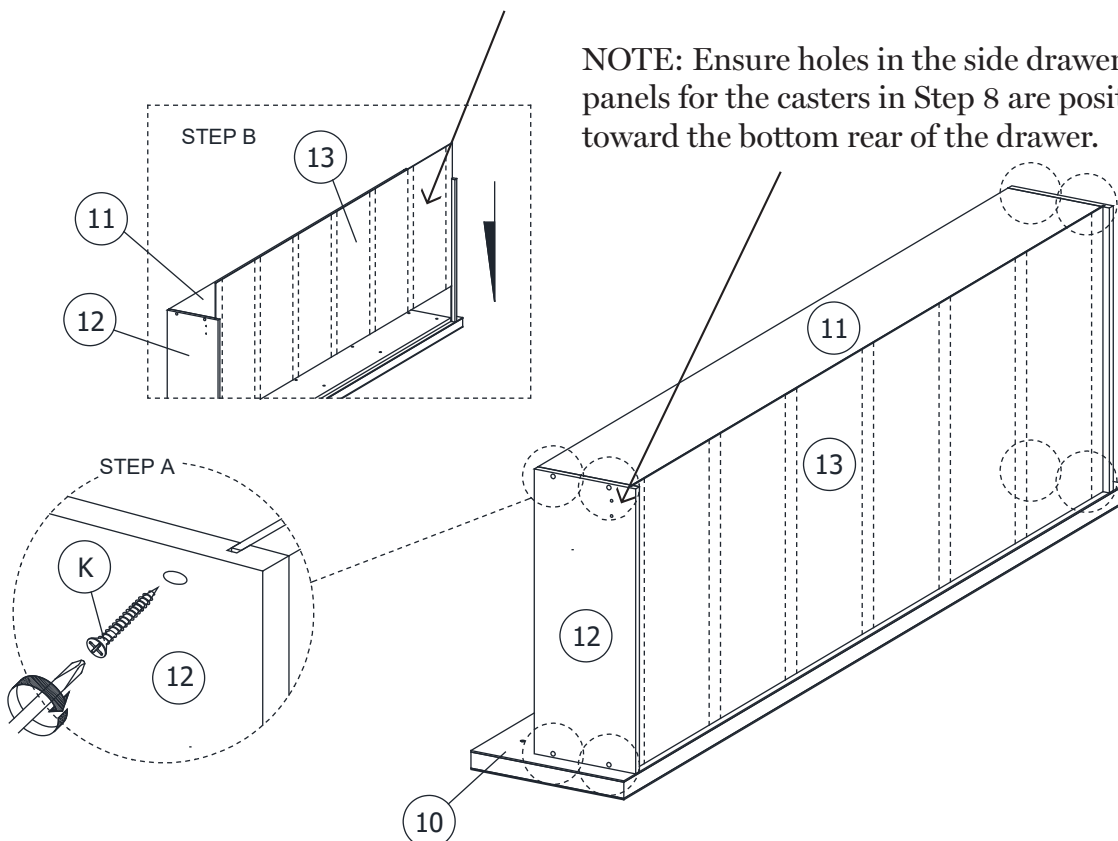
NOTE : Holes should be facing upwards when assembled.



STEP 6:

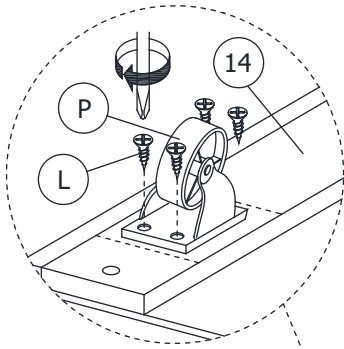
NOTE: Ensure that the finished side is facing up.

NOTE: Ensure holes in the side drawer panels for the casters in Step 8 are positioned toward the bottom rear of the drawer.

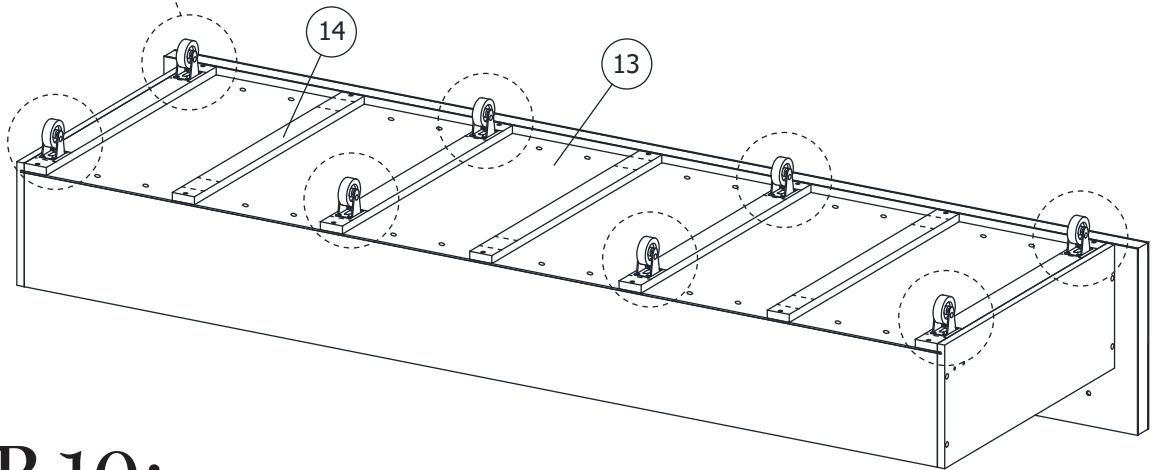


NOTE: Ensure that the grooves on the drawer face and side panels are aligned to fit the bottom drawer panel.

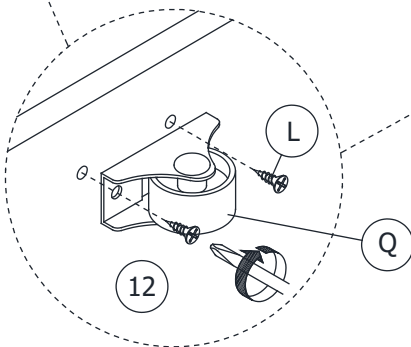
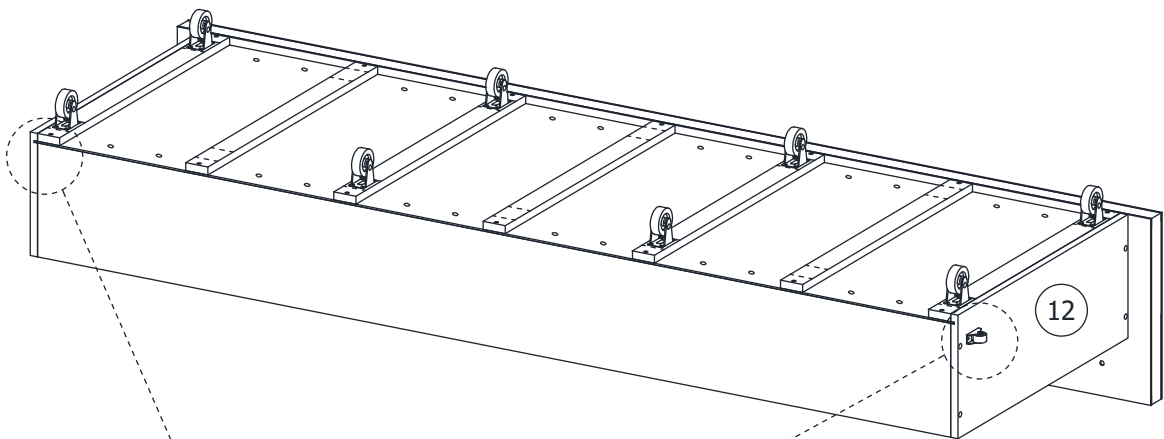
STEP 9:



PLACE CASTERS ON PRE-MARKED
OUTLINES SHOWN ON DRAWER BOTTOM
RAILS (14).

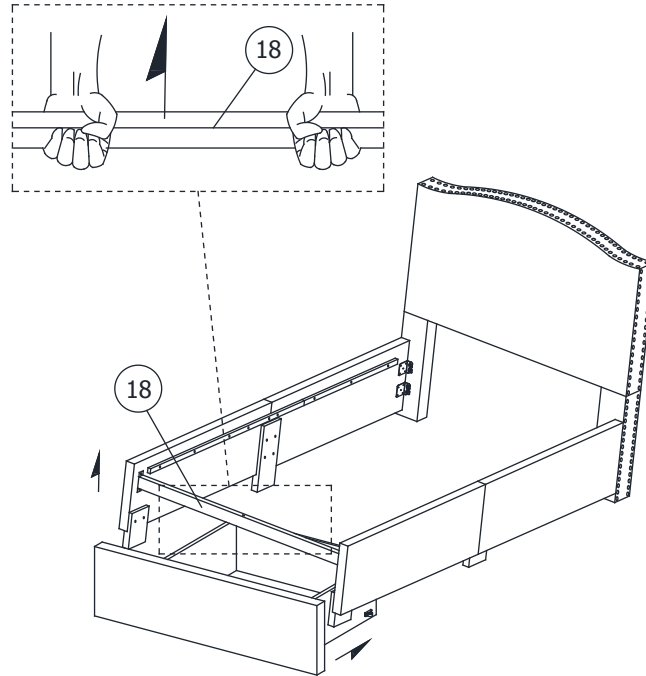


STEP 10:

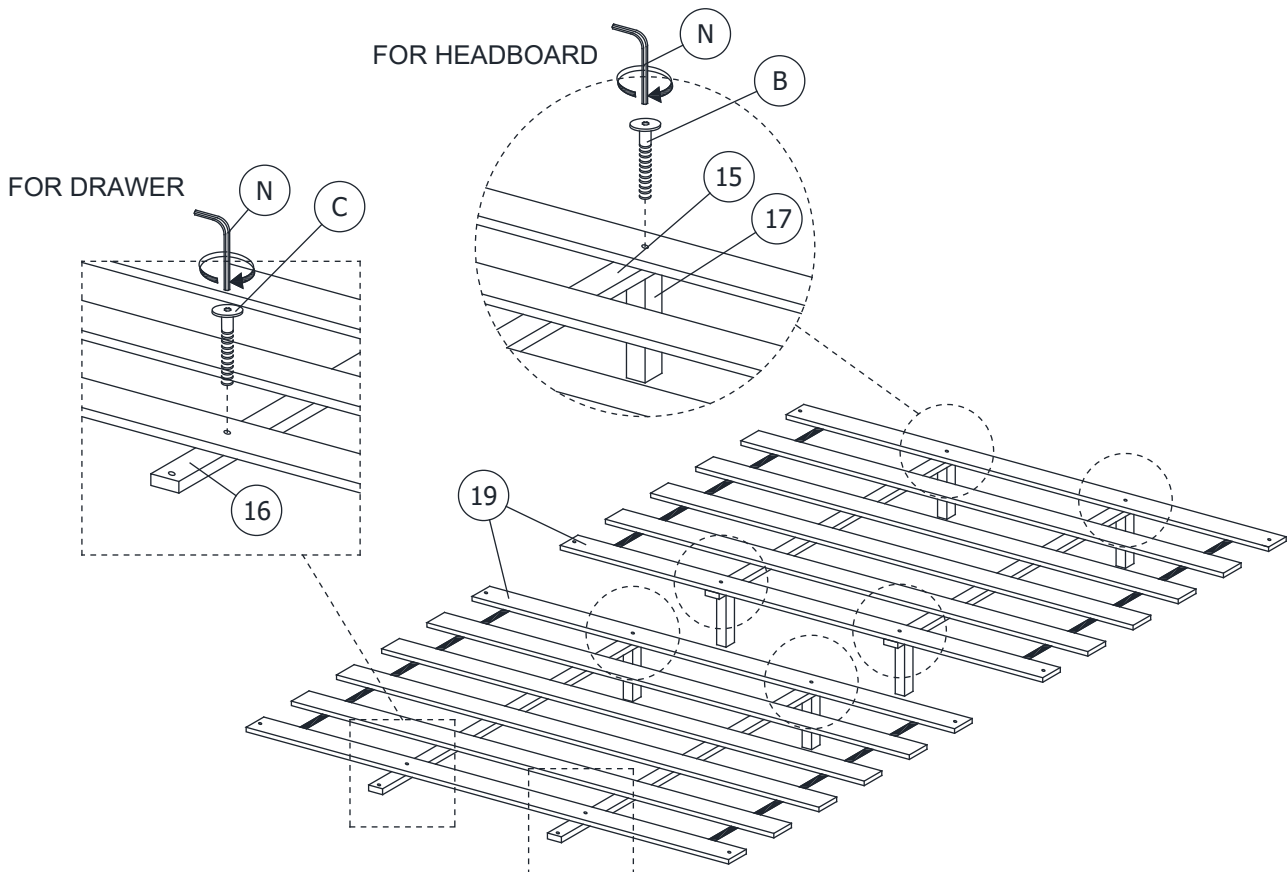


STEP 11:

NOTE : Use the METAL SUPPORT BAR (18) to lift the foot of the bed, slide the drawer in until the side casters are on the other side of the legs then set the bed back down. Ensure the drawer slides in and out smoothly before moving to the next step.

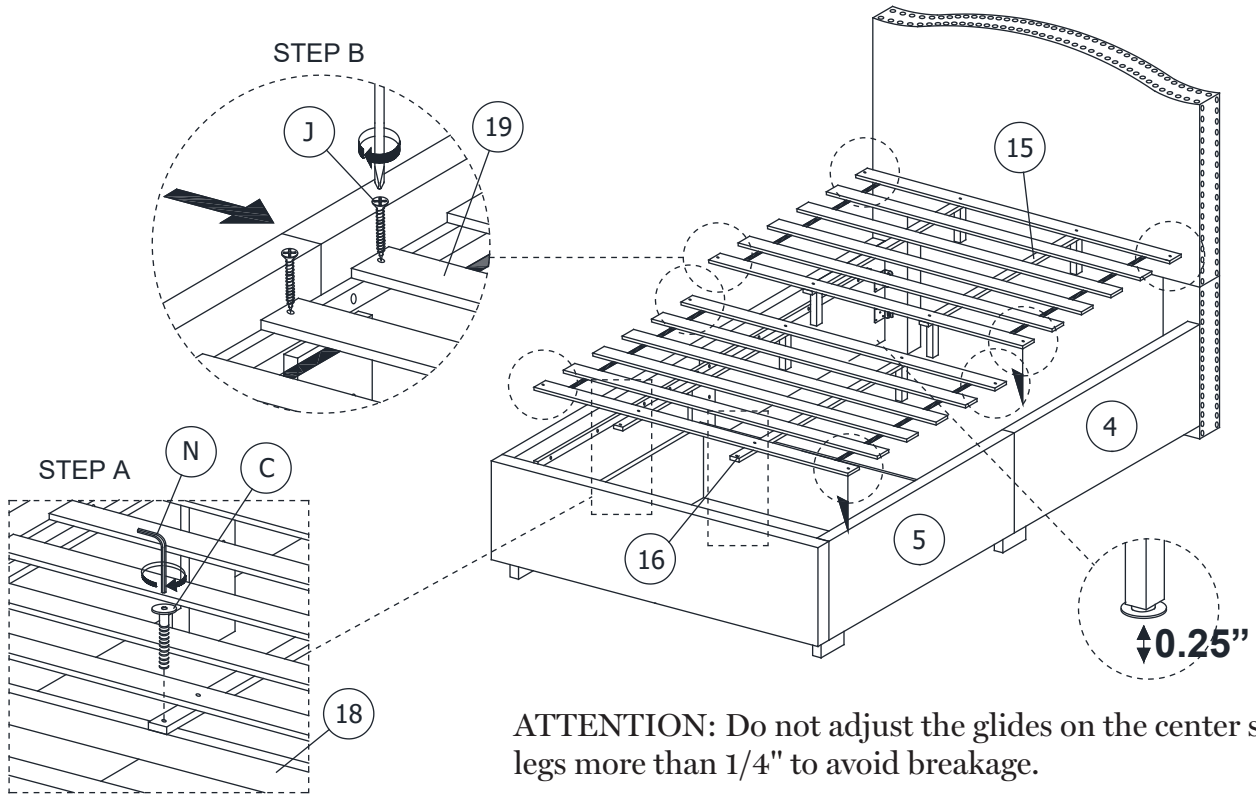


STEP 12:



STEP 13:

NOTE: Ensure that siderails A&B (4&5) are flush before attaching the slats.



Quality and Safety Guidelines

- Please follow the static and dynamic weight capacity limits provided on this item. If you are unsure of the weight capacities for this product, email us at customerexperience@theubiquegroup.com or call 866-552-2810.
- Please use this item on a stable, level surface only. If any of the legs/casters of this product are not contacting the flooring surface, do not use. Do not use this item if any instability is detected.
- Carefully follow all of the assembly instructions. If all of the parts are not provided, please do not use this item.
- Please email us at customerexperience@theubiquegroup.com or call 866-552-2810 for assembly instructions.
- This item is intended for lying down , do not jump, climb or stand on this item.
- This item is intended for indoor use.
- For product longevity, product safety and product integrity, this item should be stored indoors away from moisture.
- For storage instructions, please visit www.theubiquegroup.com.
- To prevent pinching or crushing injuries, please ensure fingers are away from the sides of the drawer when in motion.
- For product warranty details or email us at customerexperience@theubiquegroup.com or call 866-552-2810.
- For maintenance instructions and replacement parts, please email us at customerexperience@theubiquegroup.com or call 866-552-2810.