



\*Chrome Hardware Finish, White Base Shown

PRISM

## Specification Features

- KIT INCLUDES: PRISM ENCLOSURE AND SHOWER BASE
- NEO-ANGLE SHOWER ENCLOSURE WITH A MODERN CORNER DESIGN
- REVERSIBLE FOR A RIGHT-HAND OR LEFT-HAND DOOR OPENING
- FULL LENGTH MAGNETIC DOOR LATCH FOR WATERTIGHT CLOSURE
- UP TO 3/8 IN. FOR WIDTH OR OUT-OF-PLUMB (UNEVEN WALLS)
- 3/8 IN. (10 MM) THICK CERTIFIED CLEAR TEMPERED GLASS

## Technical Information

- Model: Prism
- Product Type: Enclosure and Base Kit
- Dimensions: 40 in. x 40 in. x 74 3/4 in.
- Access Width Max: 22 3/16"
- Access Width Min: 22 3/16"
- Glass Thickness: 3/8" [10 mm]
- Glass Type: Clear
- Glass Coating: ClearMax

## Codes/Standards Applicable

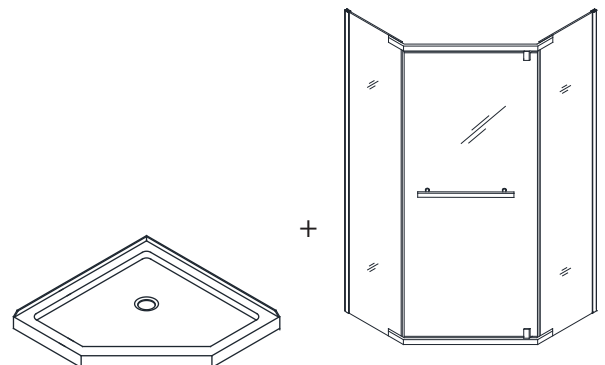
- ANSI Z97.1 (Tempered Glass)
- 16 CFR Part 1201

## Hardware Finish Options:

- 01 - Chrome
- 04 - Brushed Nickel
- 06 - Oil Rubbed Bronze
- 09 - Matte Black

## Model SKU#s:

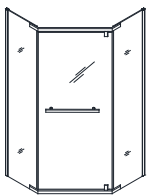
White Base	Biscuit Base	Black Base
DL-6032-01	DL-6032-22-01	DL-6032-88-01
DL-6032-04	DL-6032-22-04	DL-6032-88-06
DL-6032-06	DL-6032-22-06	DL-6032-88-09
DL-6032-09	DL-6032-22-09	



## Available Product Configurations:

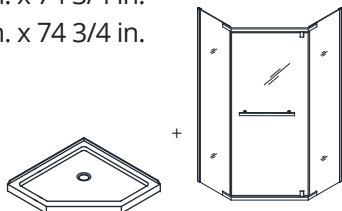
### Shower Enclosure Model SKU#s:

SHEN-2134340-XX	34 1/8 in. x 72 in.
SHEN-2136360-XX	36 1/8 in. x 72 in.
SHEN-2138380-XX	38 1/8 in. x 72 in.
SHEN-2140400-XX	40 1/8 in. x 72 in.



### Shower Enclosure and Base Kit SKU#s:

DL-6030-XX	36 in. x 36 in. x 74 3/4 in.
DL-6031-XX	38 in. x 38 in. x 74 3/4 in.
DL-6032-XX	40 in. x 40 in. x 74 3/4 in.
DL-6033-XX	42 in. x 42 in. x 74 3/4 in.



## Important Notes:

If this unit is going to be installed in a new construction, please, install all of the required plumbing and drainage before installing the shower. Use a competent and licensed plumber for all plumbing installation period.

Adjustment: up to 3/8 in. per side for width or out-of-plumb (uneven walls).

Bases must be installed direct-to-stud; Shower enclosures or doors require finished (tiled) walls.

Professional installation recommended. Please consult the technical drawing for precise drain location.

## Important Disclaimers:

- Prior to installation, please ensure that the installation surface is finished, level and solid and will be able to support the total weight of the unit. Also, make sure that the walls are plumb. Irregular installation, surface level or out of square conditions can result in serious problems for your installation.
- Please read Installation Manual thoroughly prior to installing this product.
- Please note that you should consult your local building codes with questions on installation compliance standards. Building and plumbing codes may vary by location, and DreamLine® is not responsible for code compliance standards for your project and will not accept any returns.