



Specification Features

- PIVOT SHOWER ENCLOSURE. SEMI-FRAMELESS DESIGN
- CONFIGURATION: FIXED PANEL, SWING DOOR, RETURN PANEL
- UP TO 1/2 IN. ADJUSTMENT PER SIDE FOR WIDTH/OUT-OF-PLUMB
- REVERSIBLE FOR RIGHT OR LEFT DOOR INSTALLATION
- UP TO 4 IN. WIDTH ADJUSTMENT WITHIN RAILS
- 1/4 IN. (6 MM) THICK CERTIFIED TEMPERED GLASS


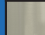
Technical Information

- | | |
|------------------------|-----------------------------|
| • Model: | Flex |
| • Door Type: | Pivot Shower Enclosure |
| • Dimensions: | 36 7/16"W x 34 1/2"D x 72"H |
| • Product Width Max: | 36 7/16" |
| • Product Width Min: | 32 7/16" |
| • Product Depth: | 34 1/2" |
| • Access Width Max: | 22 7/8" |
| • Access Width Min: | 22 7/8" |
| • Access Height Max: | 70 11/16" |
| • Threshold Width Min: | 1 1/2" |
| • Glass Thickness: | 1/4" [6 mm] |
| • Glass Type: | Clear |

Codes/Standards Applicable

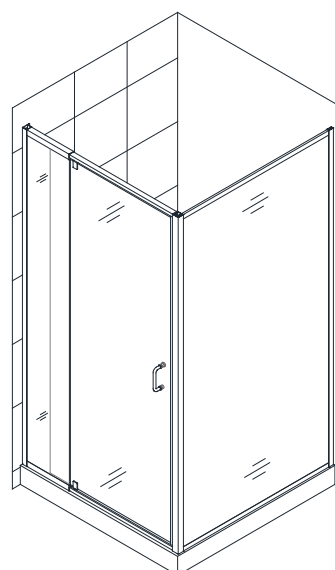
- ANSI Z97.1 (Tempered Glass)
- 16 CFR Part 1201

Hardware Finish Options:

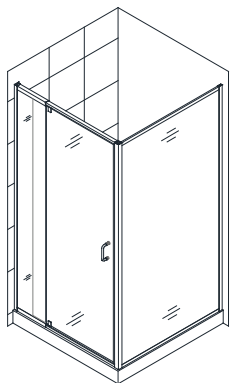
- | | |
|---|---------------------|
|  | 01 - Chrome |
|  | 04 - Brushed Nickel |

Model SKU#s:

- SHDR-2234340-RT-01
SHDR-2234340-RT-04

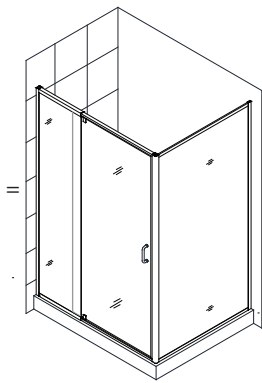


Available Product Configurations:



Model #s:

SHDR-2230300-RT-01
SHDR-2230300-RT-04
SHDR-2234340-RT-01
SHDR-2234340-RT-04
SHDR2234420RT01
SHDR2234420RT04



Model #s:

SHDR-2234580-RT-01
SHDR2234580RT04
SHDR2240420RT01
SHDR2240420RT04

Important Notes:

If this unit is going to be installed in a new construction, please, install all of the required plumbing and drainage before installing the shower. Use a competent and licensed plumber for all plumbing installation period.

Minimum threshold depth of 1 1/2 in. is required for proper installation.

Up to 4 in. width adjustment within telescopic rails.

An additional 1/2 in. adjustment per side for width or out-of-plumb within wall profiles.

Professional installation recommended.

DO NOT attach the handle to the door glass until instructed in the installation manual. DO NOT use the handle to lift the glass during installation. This may result in damage to the glass and/or serious injury.

Important Disclaimers:

- Prior to installation, please ensure that the installation surface is finished, level and solid and will be able to support the total weight of the unit. Also, make sure that the walls are plumb. Irregular installation, surface level or out of square conditions can result in serious problems for your installation.
- Please read Installation Manual thoroughly prior to installing this product.
- Please note that you should consult your local building codes with questions on installation compliance standards. Building and plumbing codes may vary by location, and DreamLine® is not responsible for code compliance standards for your project and will not accept any returns.

The Flex shower enclosure is NOT suitable for commercial installation.