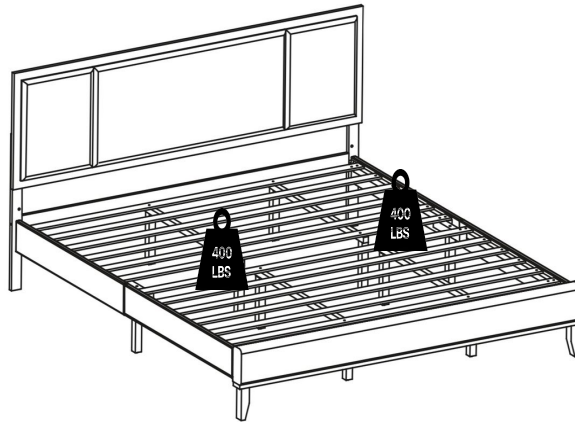




# Platform Bed With Headboard

196861126802  
196861126826



## ASSEMBLY INSTRUCTIONS

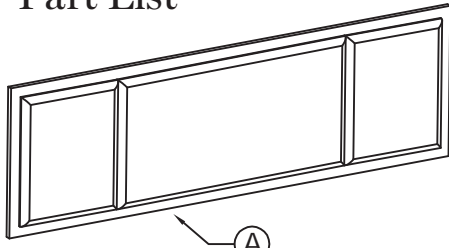
**Before You Begin:** (Phillips screw driver required, not included)  
Please identify all component parts and hardware pieces required before you begin. Carefully remove all of the components from the packaging and set aside for assembly. Assemble on a soft surface to prevent scratching during assembly.

**Caution:**  
Tighten all components securely before use. Failure to do so may result in personal injury.  
DO NOT use any sharp objects to open plastic wrapped components as damage to product or components may result.

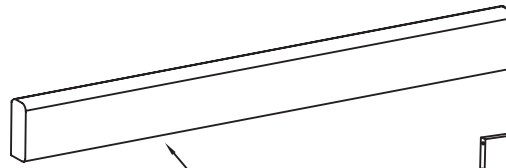
**Warning:**  
CHOKING HAZARD - Small Parts. Adult Assembly Required.  
DO NOT ALLOW CHILDREN TO CLIMB ON FURNITURE  
Serious or fatal injuries can occur from furniture tipping over. You must install Tipping Restraint Hardware (where included) to help prevent the unit from tipping and causing accidental injury, instability, death or damage. The tipping restraint is intended only as a safety measure, it is not a substitute for proper adult supervision.

To help prevent furniture from tipping over it must be permanently attached to the wall. Anti-Tip Safety Wall Straps suitable for the unit weight and wall materials (if not included) should be purchased and installed.

# Part List



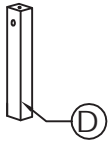
Headboard Panel x 1



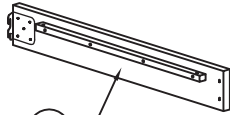
Footboard Panel x 1



Headboard Support x 1



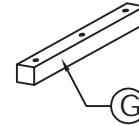
Support Leg x 10



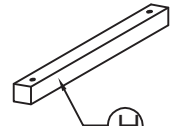
Side Rail (L) x 2



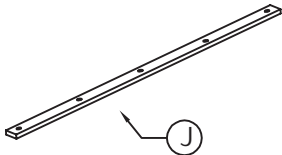
Side Rail (R) x 2



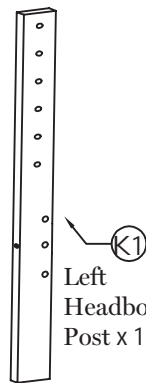
Support Bars x 2



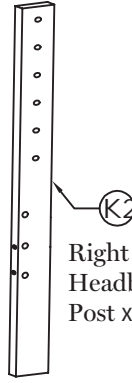
Long Support x 4



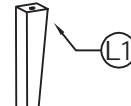
Lower Footboard Rail x 1



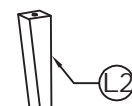
Left Headboard Post x 1



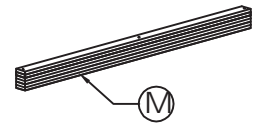
Right Headboard Post x 1



Left Footboard Leg x 1



Right Footboard Leg x 1

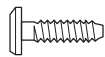


Bed Slat x 2 sets

# Hardware List



① M6 x 15mm JCBC x 8



② M6 x 20mm JCBC x 8



③ M6 x 35mm JCBC x 4



④ M6 x 40mm JCBC x 12



⑤ M6 x 50mm JCBC x 4



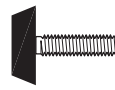
⑥ M6 x 90mm JCBC x 2



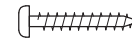
⑦ M6 x 100mm JCBC x 10



⑧ Barrel Nut x 12



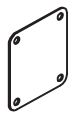
⑨ Adjustable Foot x 10



⑩ Wood Screw (M4 x 32mm) x 16



⑪ Wood Dowel (10x40mm) x 2



⑫ Metal Bracket x 2



⑬ Spring Washer x 12



⑭ Flat Washer (M6) x 31



⑮ Flat Washer (M8) x 4



⑯ JCN Nut x 4



⑰ M8 X 50mm x 2

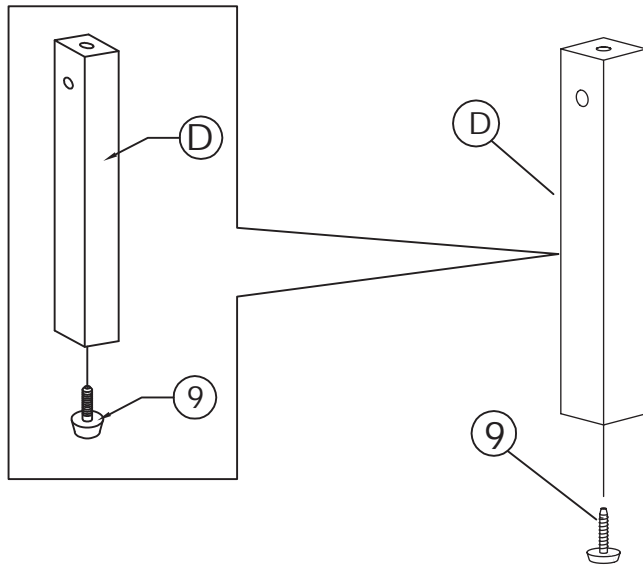


⑱ M4 Allen Key x 1



⑱ M5 Allen Key x 1

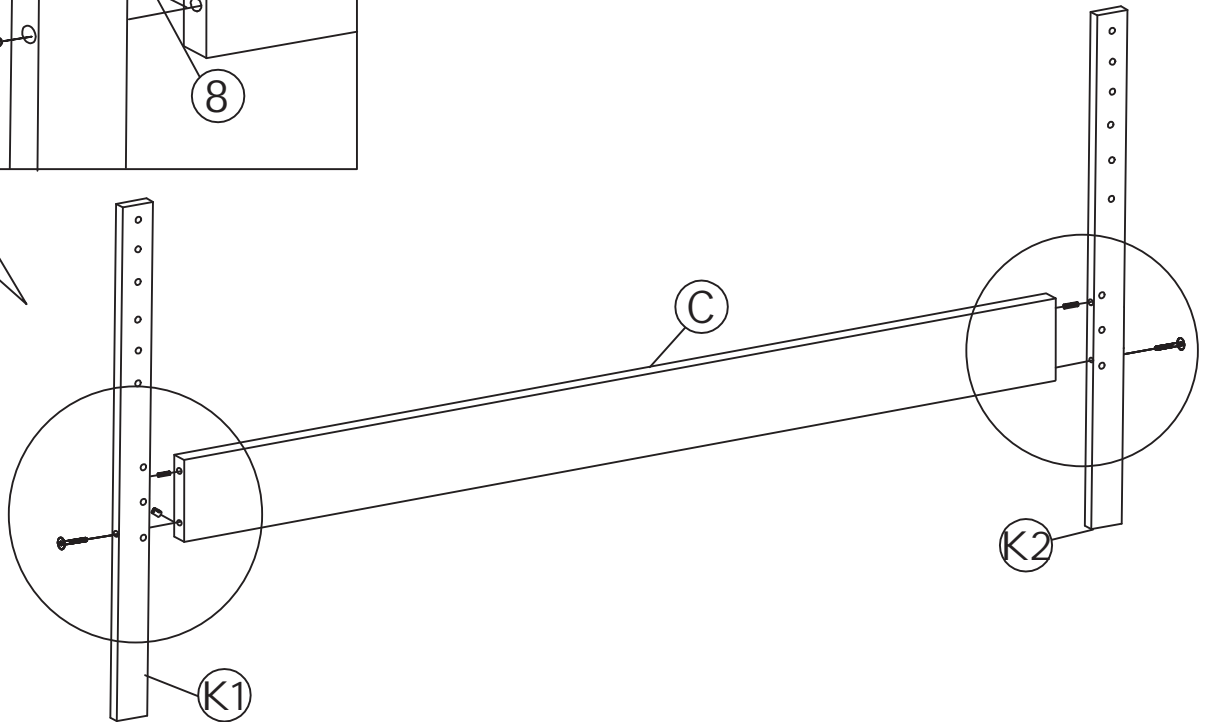
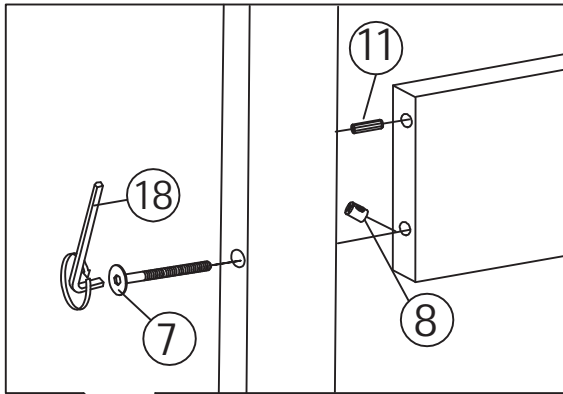
STEP 1:



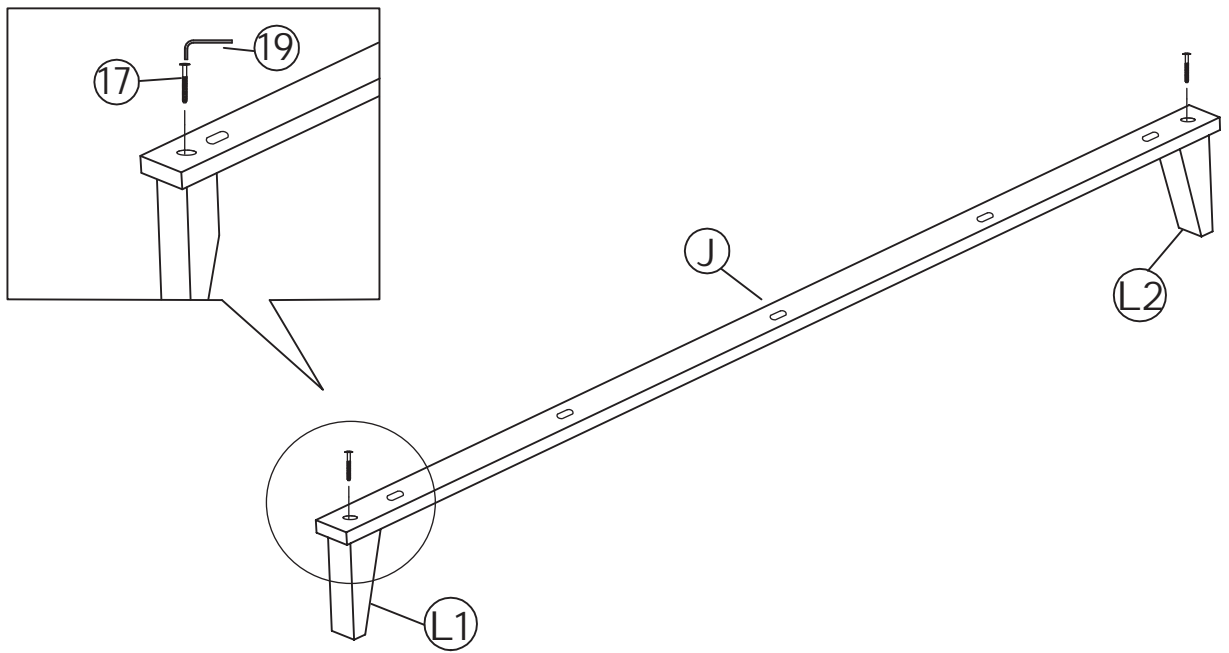
10x

STEP 2:

Back View

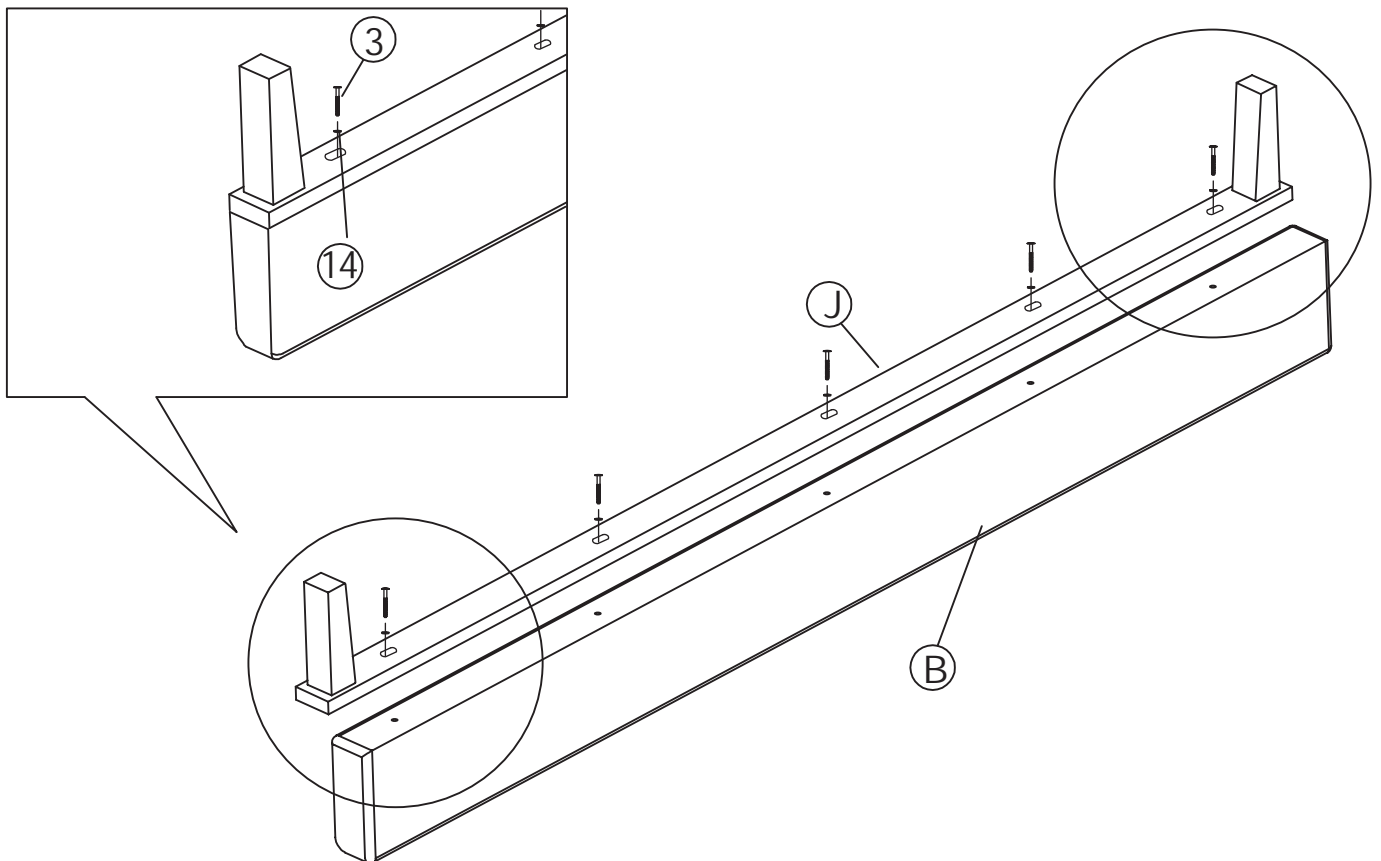


**STEP 3:**

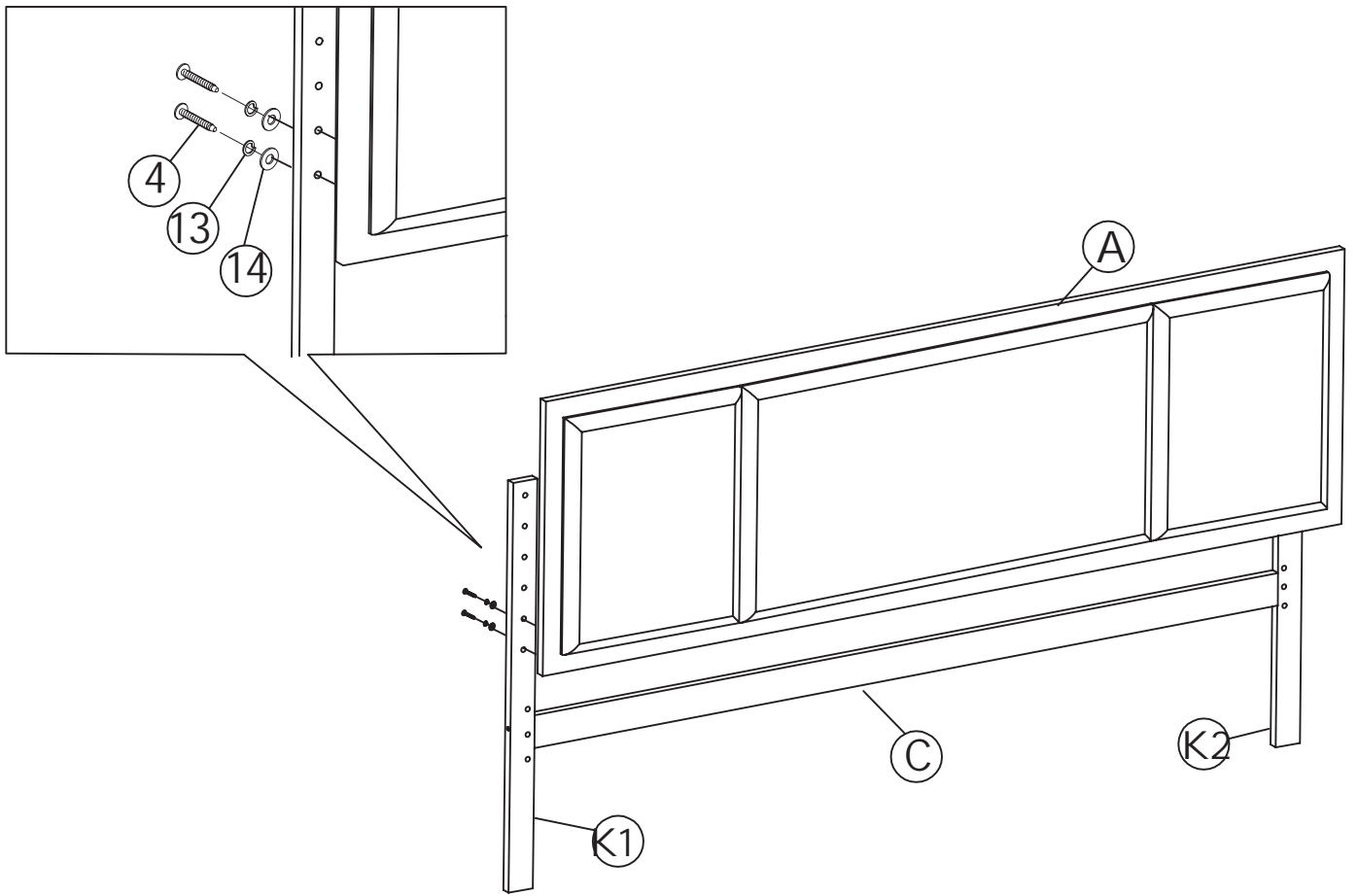


**STEP 4:**

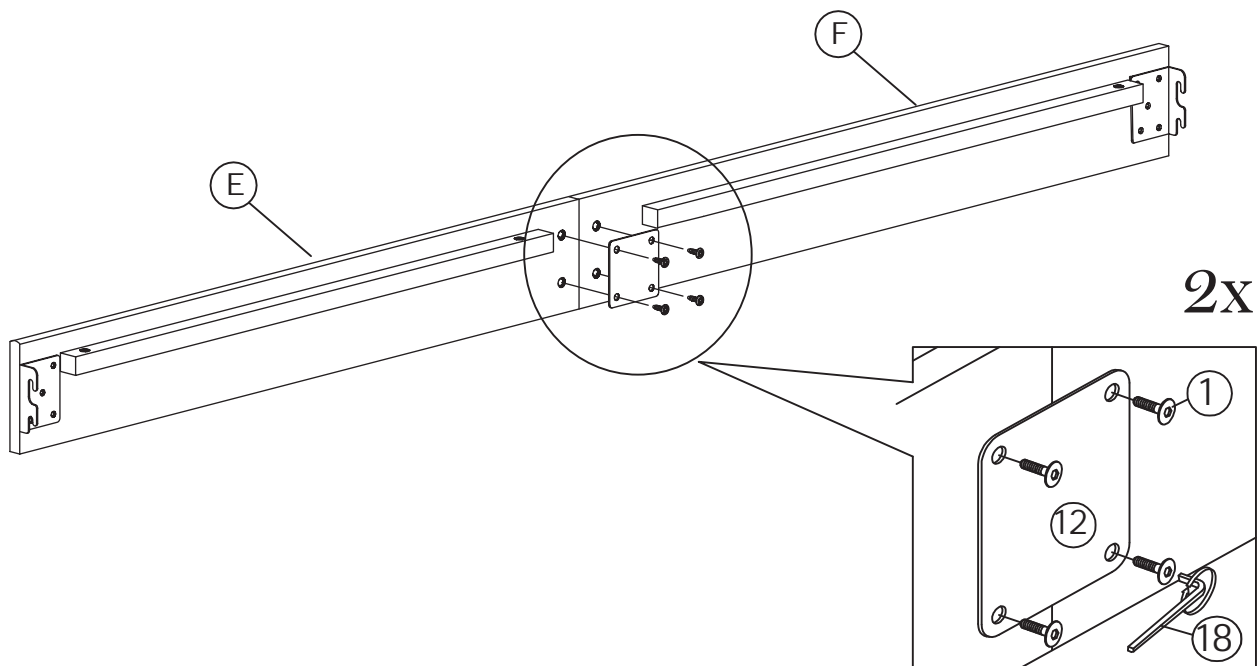
**Back View**



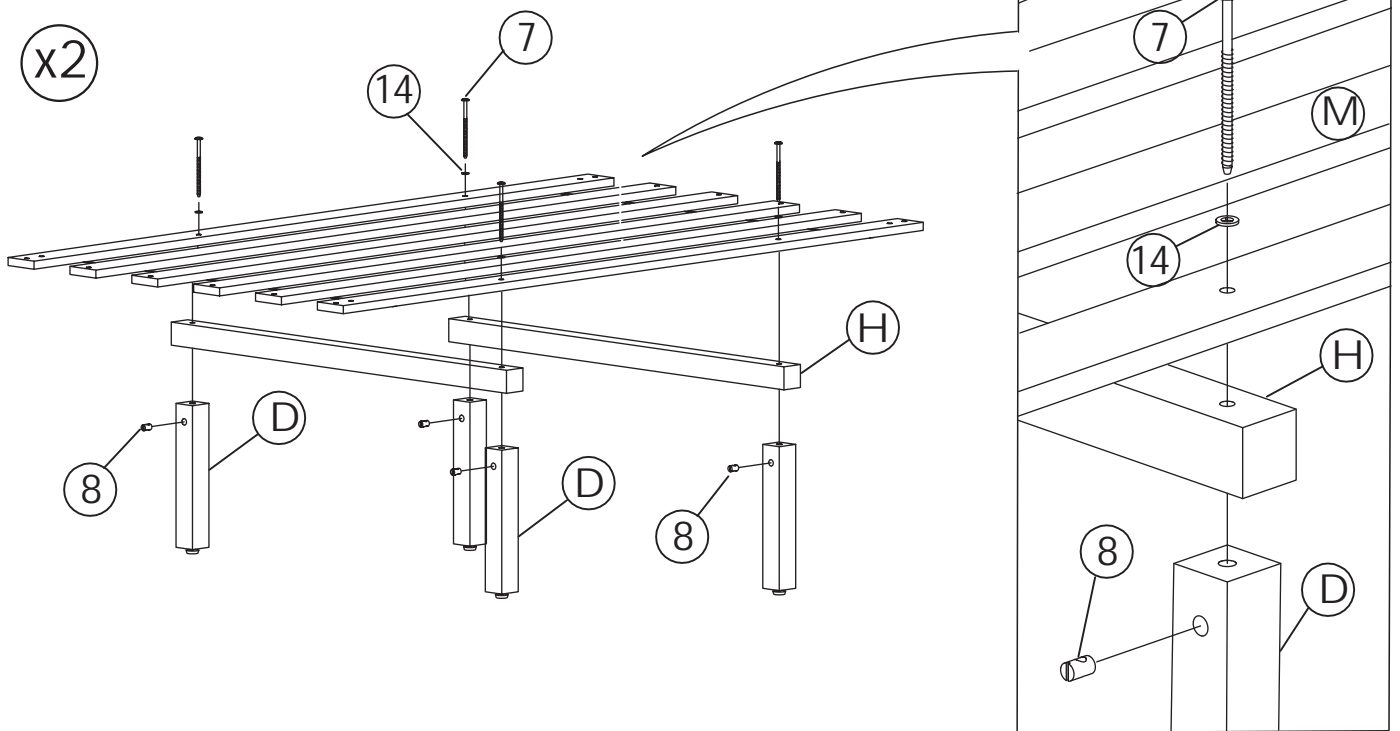
STEP 5:



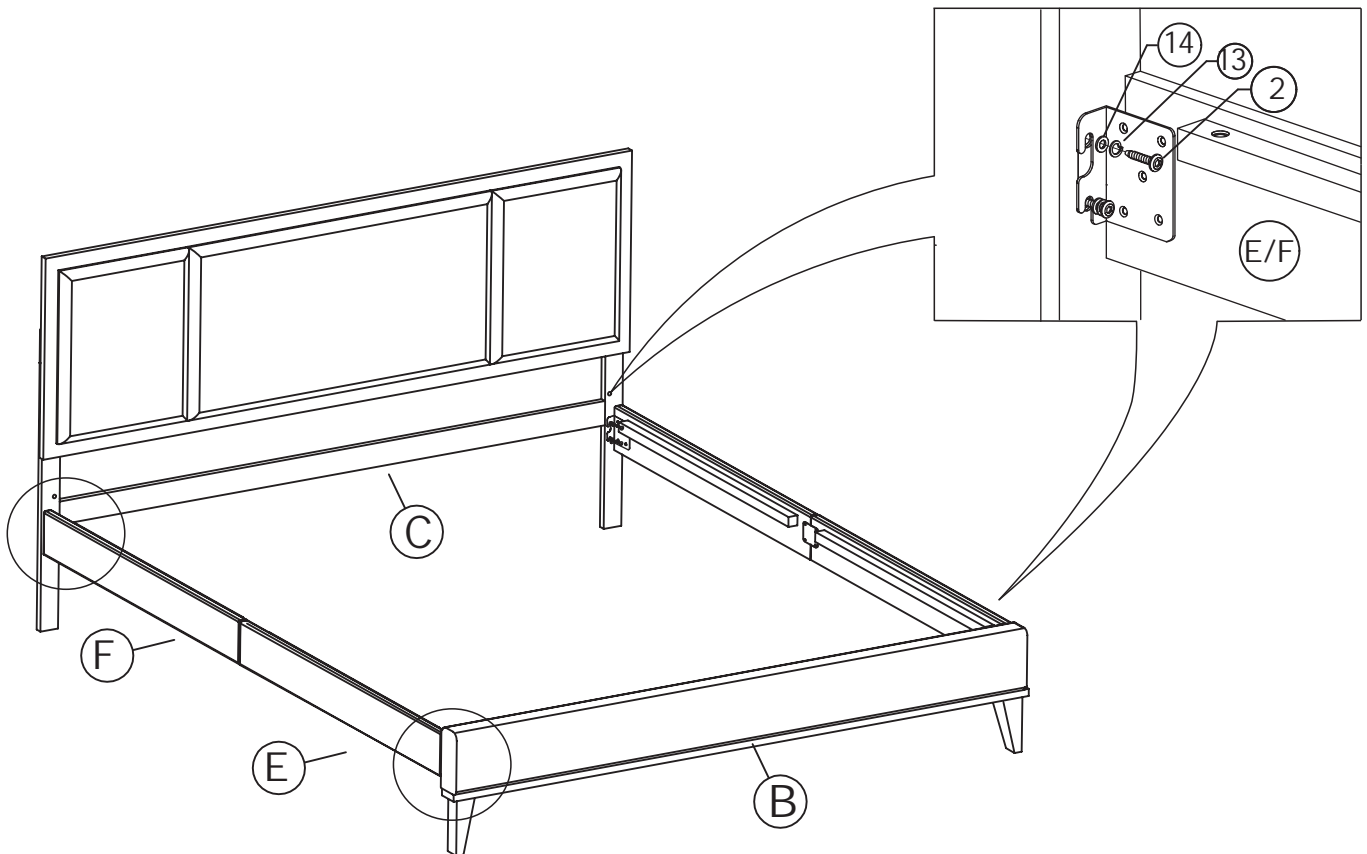
STEP 6:



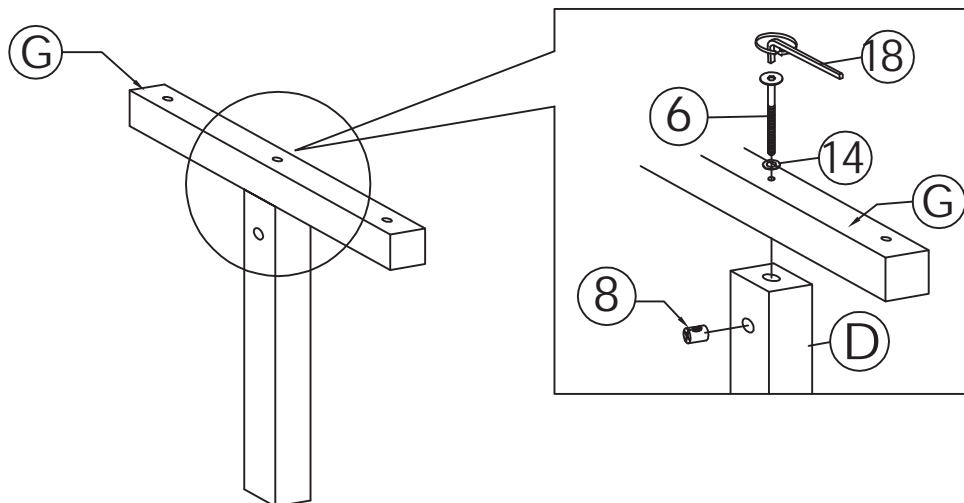
STEP 7:



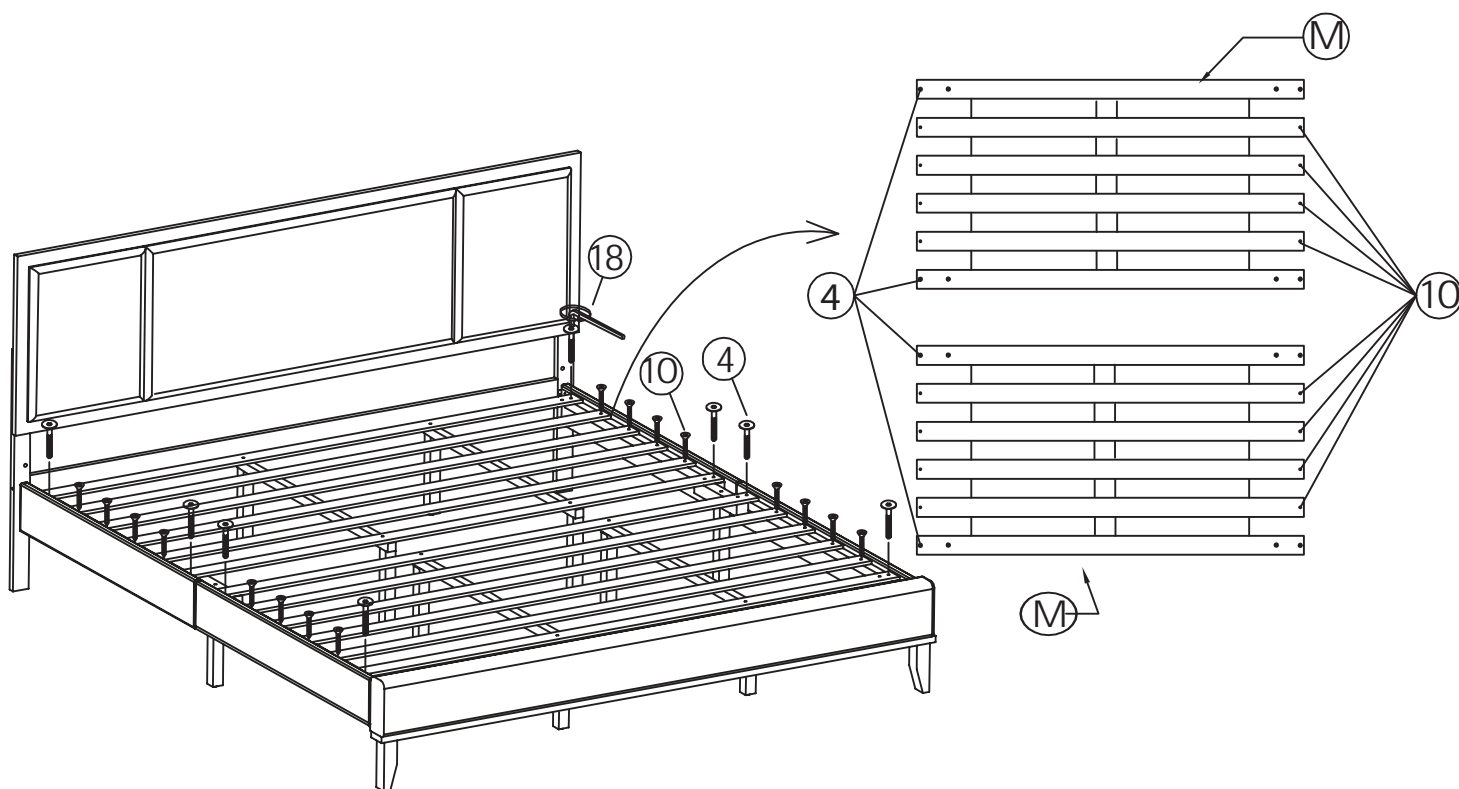
STEP 8:



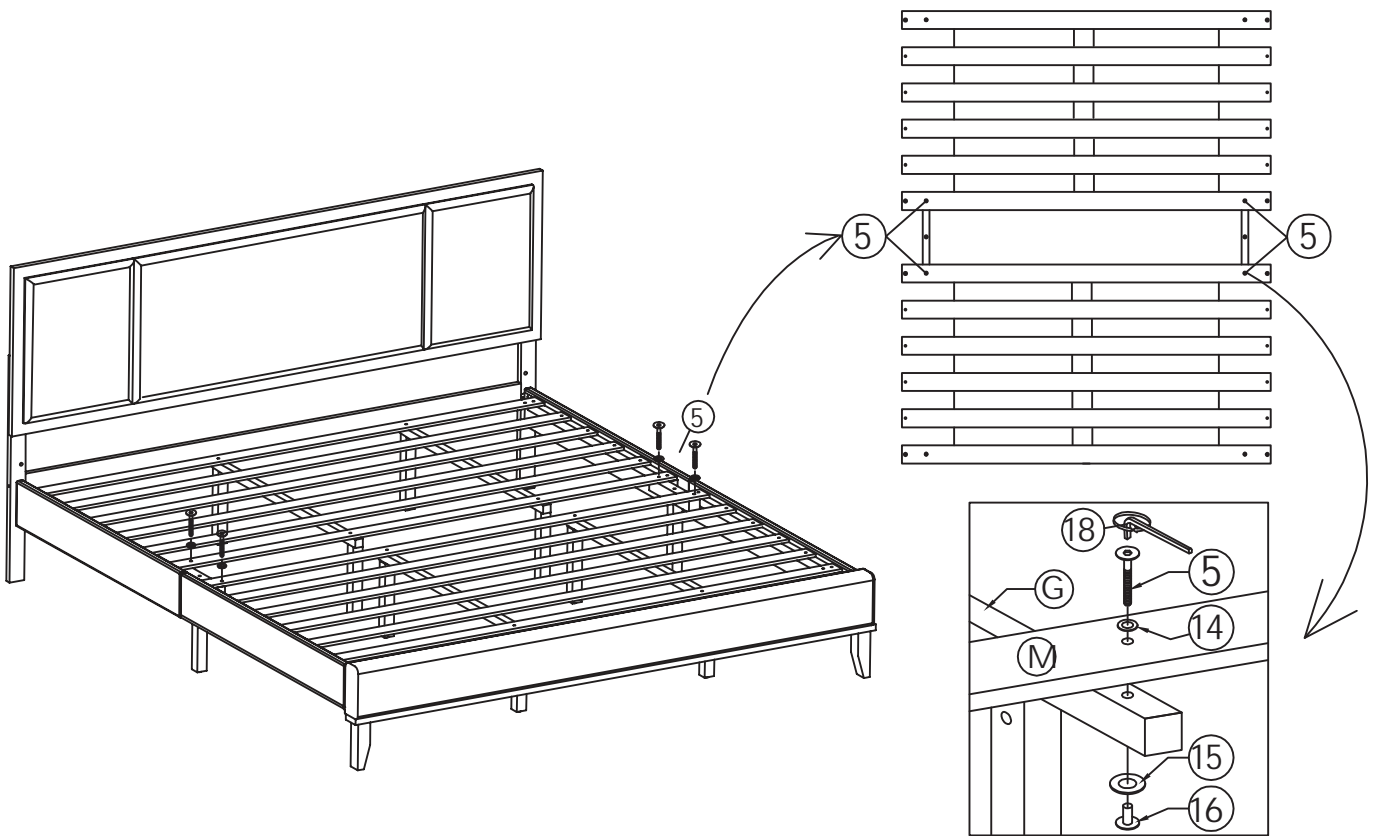
STEP 9:



STEP 10:



STEP 11 :



## Quality and Safety Guidelines

- Please use this item on a stable, level surface only. If any of the legs of this product are not contacting the flooring surface, do not use. Do not use this item if any instability is detected.
- Carefully follow all of the assembly instructions. If all of the parts are not provided, please do not use this item. Please email us at [customerexperience@theubiquegroup.com](mailto:customerexperience@theubiquegroup.com) or call 866-552-2810 for assembly instructions.
- This item is intended for indoor use. Store indoors also.
- Do not drag or slide the bedframe when repositioning it. Team lift the bedframe and move it carefully without sliding the legs in any manner.
- This item is intended for lying down. Do not jump, climb or stand on this item.
- Do not use this bed with infants or Children under 12 years old.
- For product longevity, product safety and product integrity, please email us at [customerexperience@theubiquegroup.com](mailto:customerexperience@theubiquegroup.com) or call 866-552-2810 for storage instructions.
- Please visit [www.theubiquegroup.com](http://www.theubiquegroup.com) for our product warranty details or email us at [customerexperience@theubiquegroup.com](mailto:customerexperience@theubiquegroup.com) or call 866-552-2810.
- For maintenance instructions and replacement parts, please email us at [customerexperience@theubiquegroup.com](mailto:customerexperience@theubiquegroup.com) or call 866-552-2810.
- Please follow the static and dynamic weight capacity limits provided on this item. If you are unsure of the weight capacities for this product, email us at [customerexperience@theubiquegroup.com](mailto:customerexperience@theubiquegroup.com) or call 866-552- 2810.
- Please inspect this product regularly to make sure there are no damaged or worn parts. Also inspect to make sure all hardware is tightened correctly and securely. For inspection instructions, please email us at [customerexperience@theubiquegroup.com](mailto:customerexperience@theubiquegroup.com) or call 866-552-2810.
- If any parts are damaged or worn, please stop using the product. Repair this product with manufacturer supplied parts only.