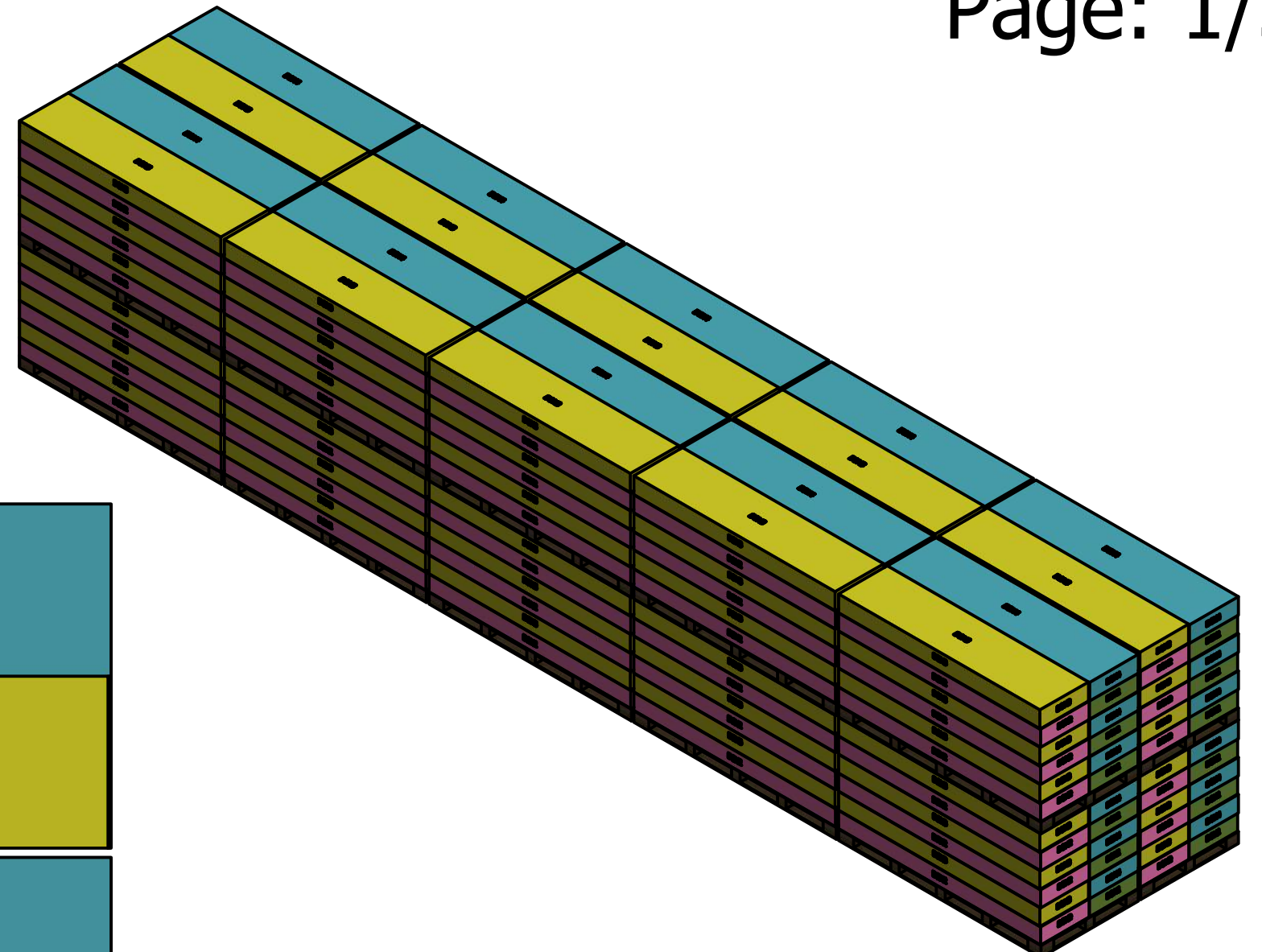
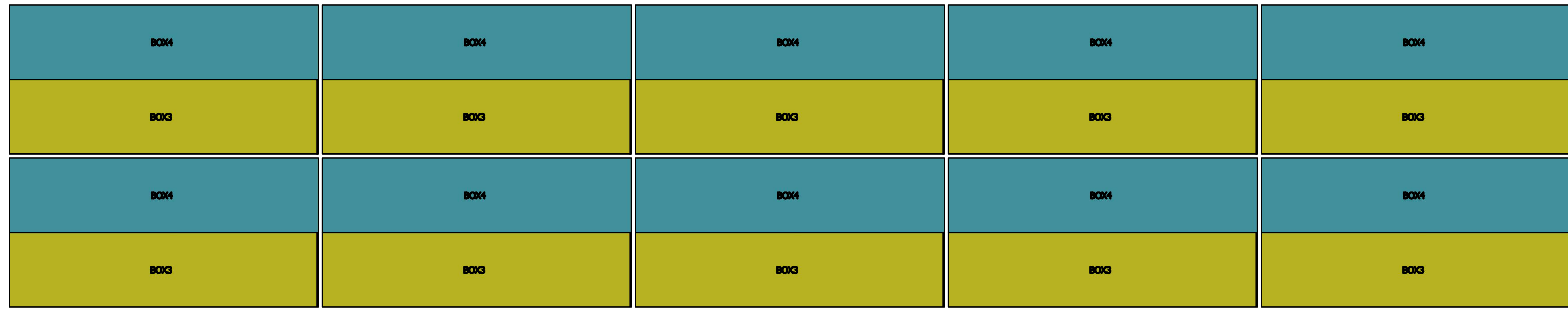


1606029B CARIBBEAN Container Loading Diagram

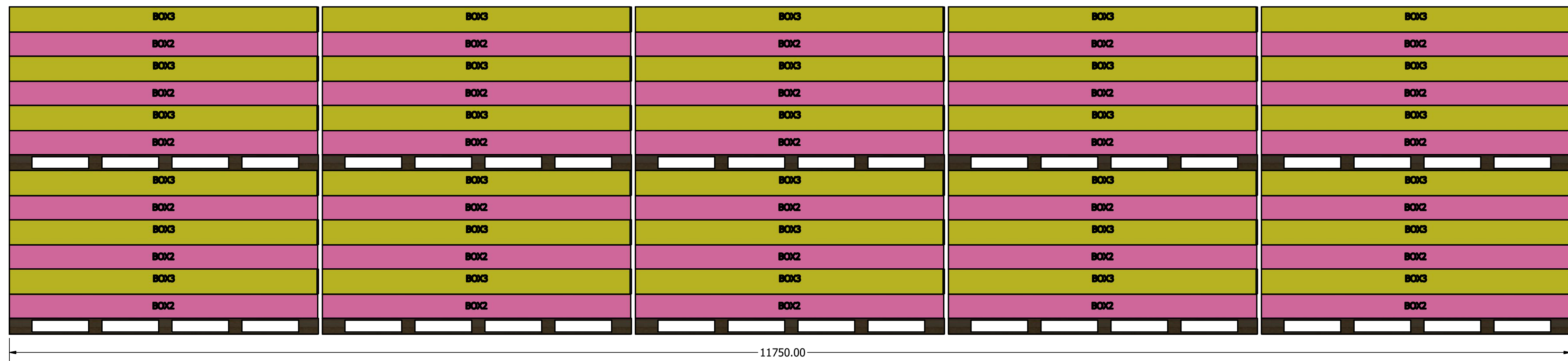
(1 set = 4 boxes, 20 pallets/40HQ, 60 sets/40HQ, Gross Weight:18640kg)



Top View

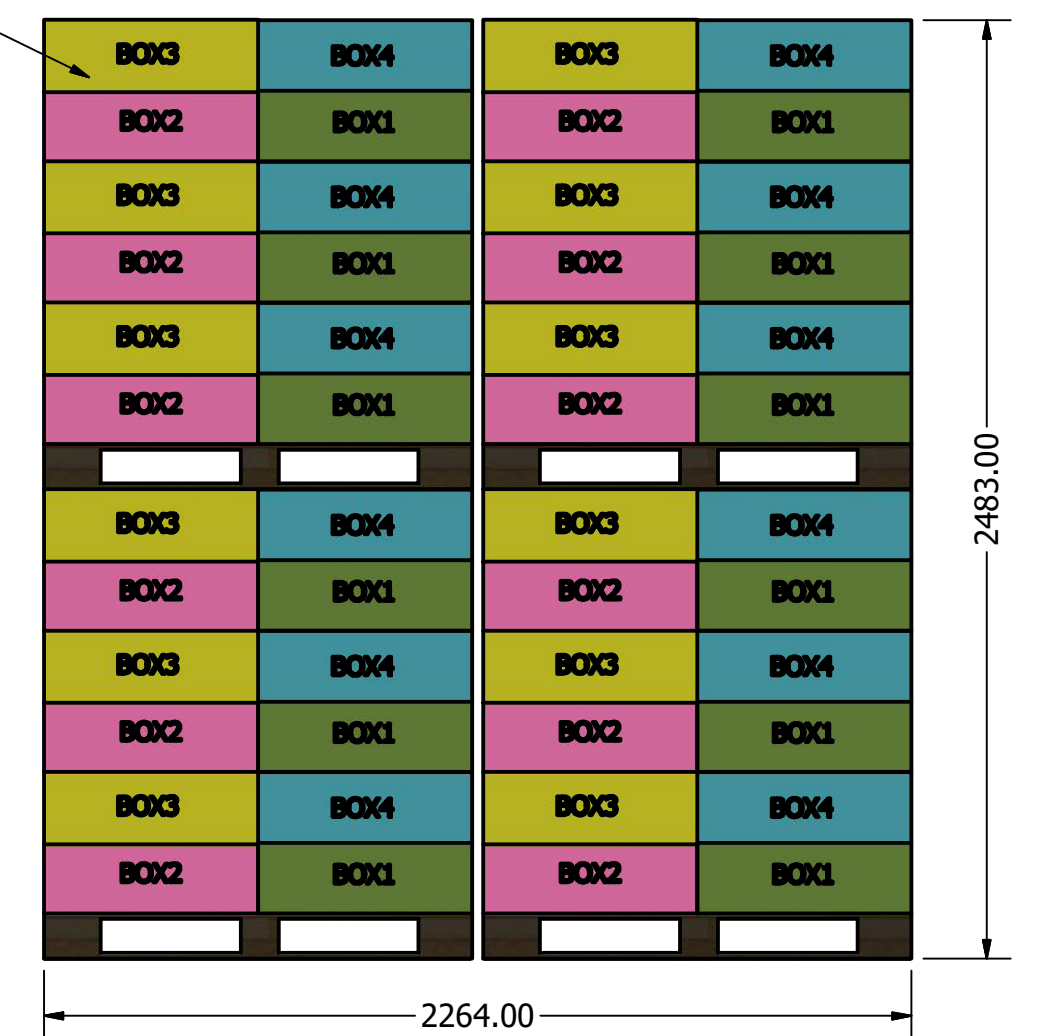


Side View



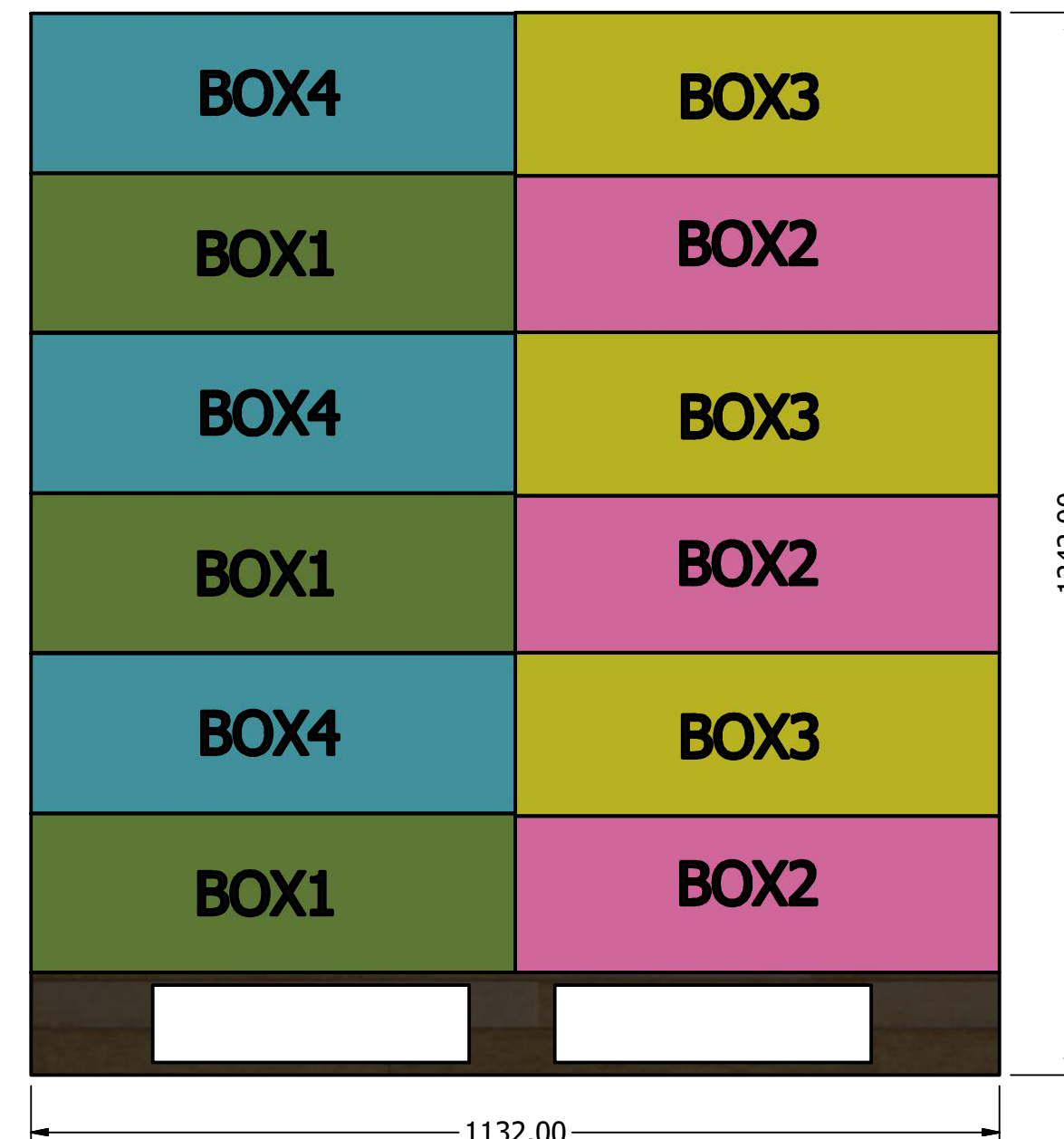
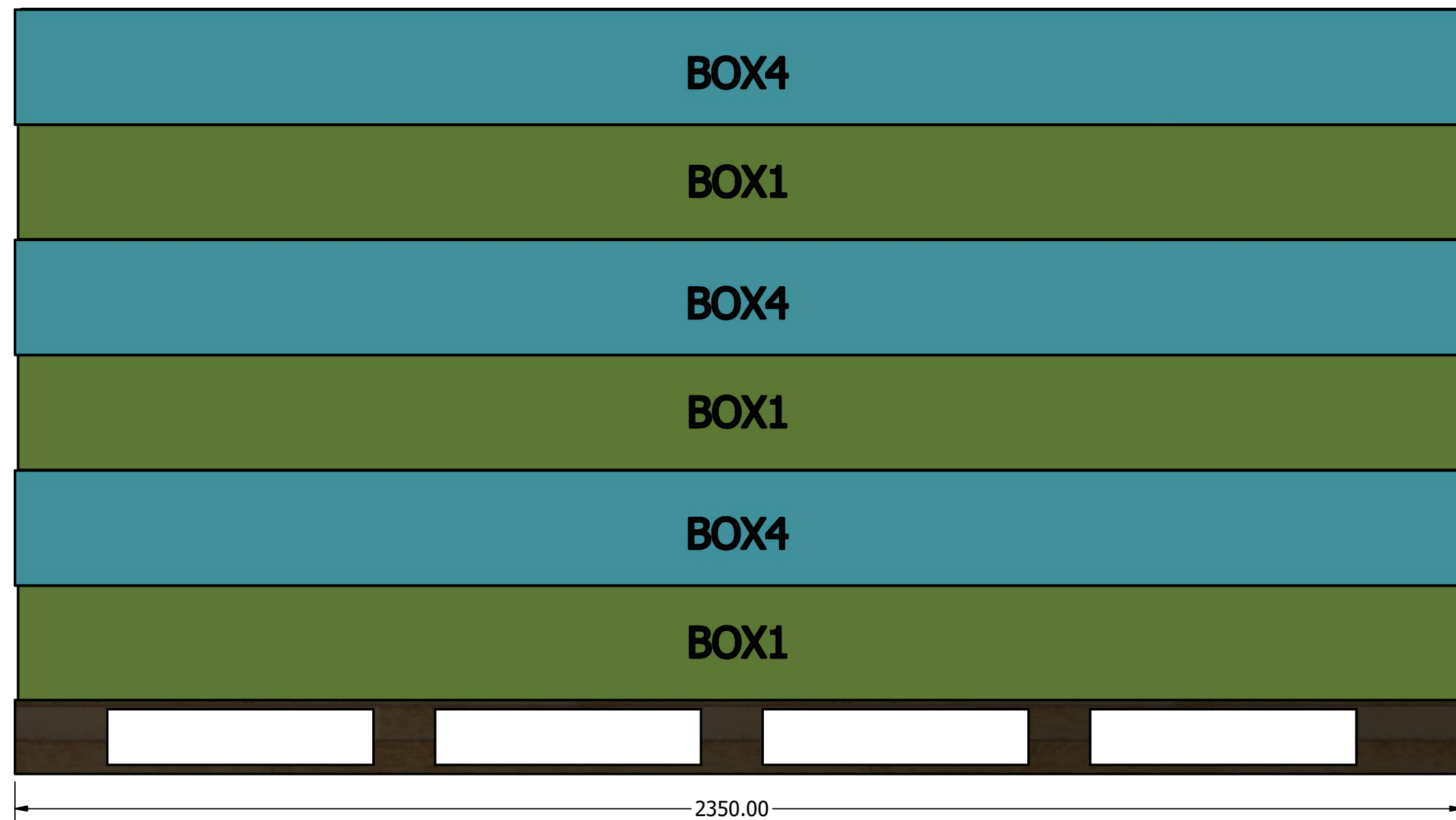
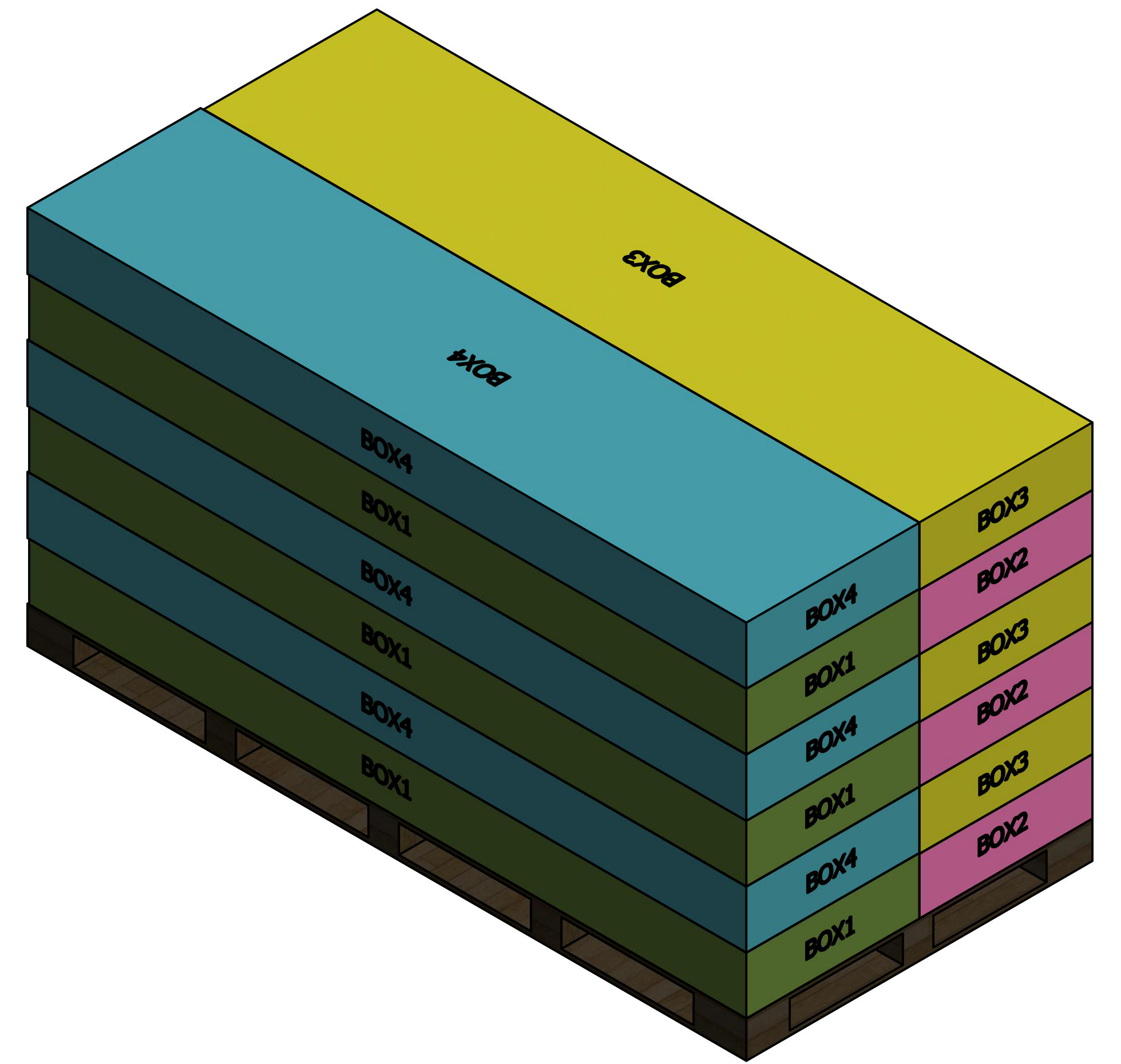
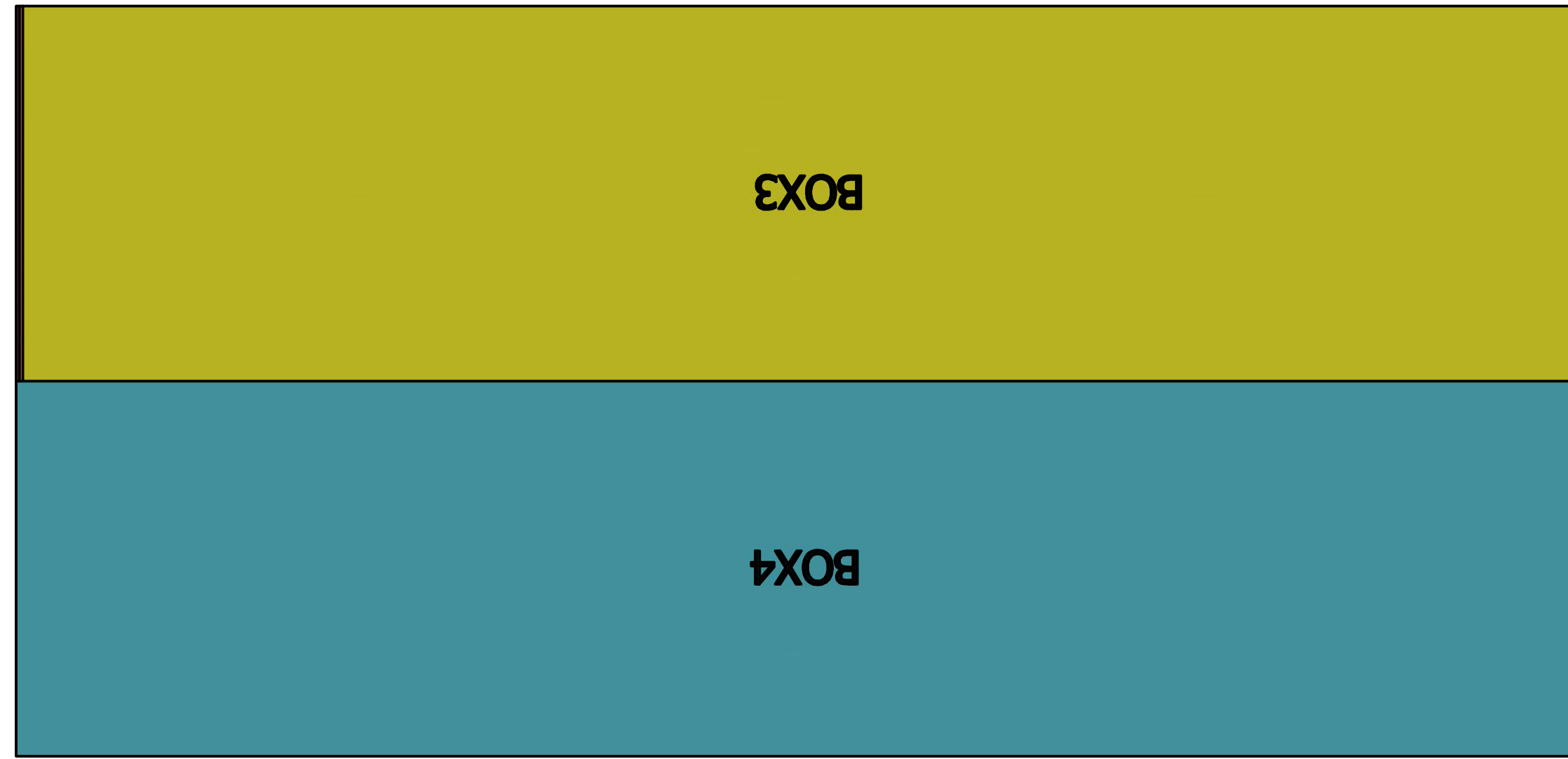
End View

Pallet A *20

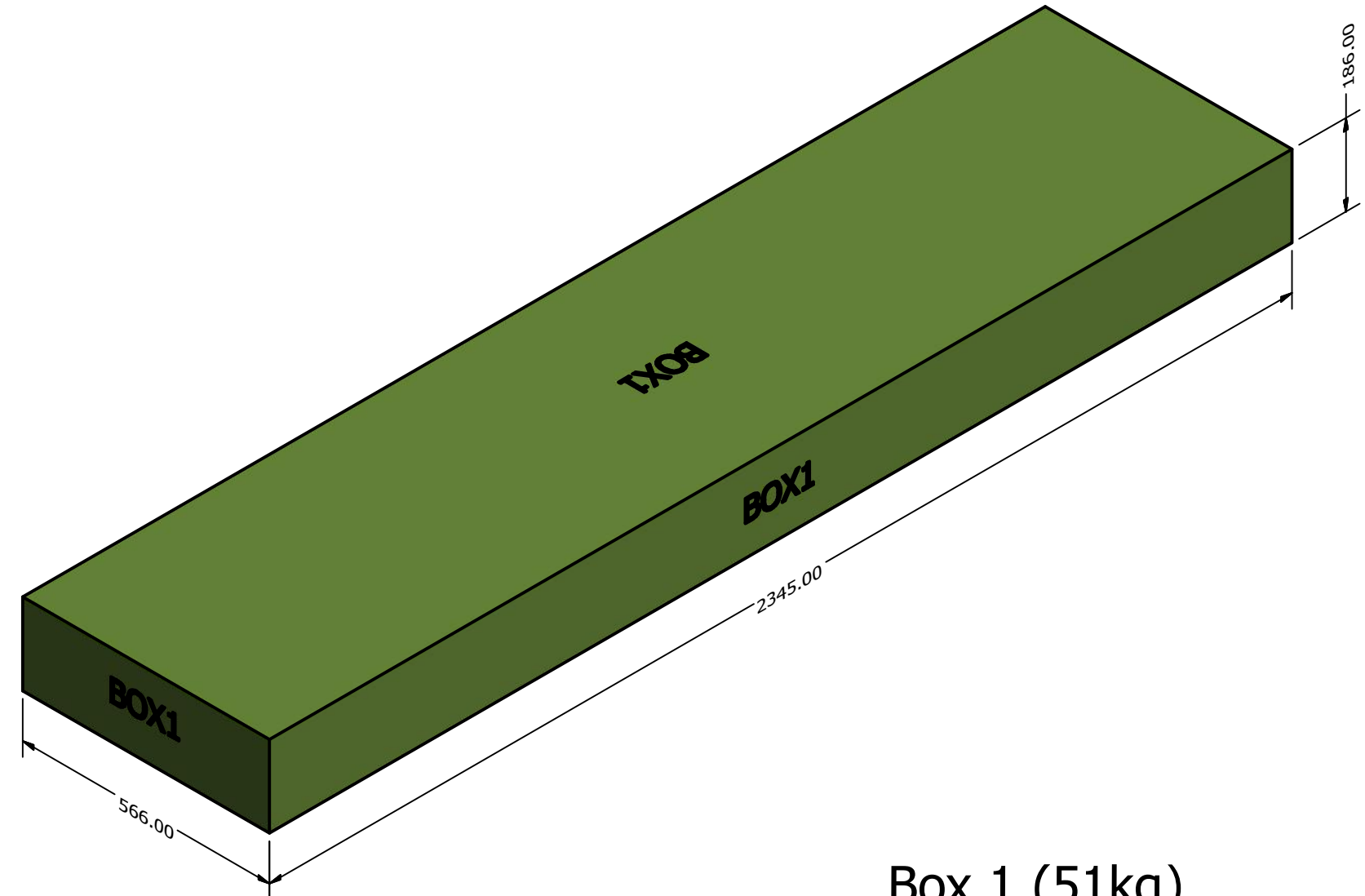


DRAWN Rudy		TITLE		
CHECKED				
QA		SIZE D	DWG NO	REV
MFG		SCALE 1 / 20		
APPROVED		SHEET 1 OF 1		

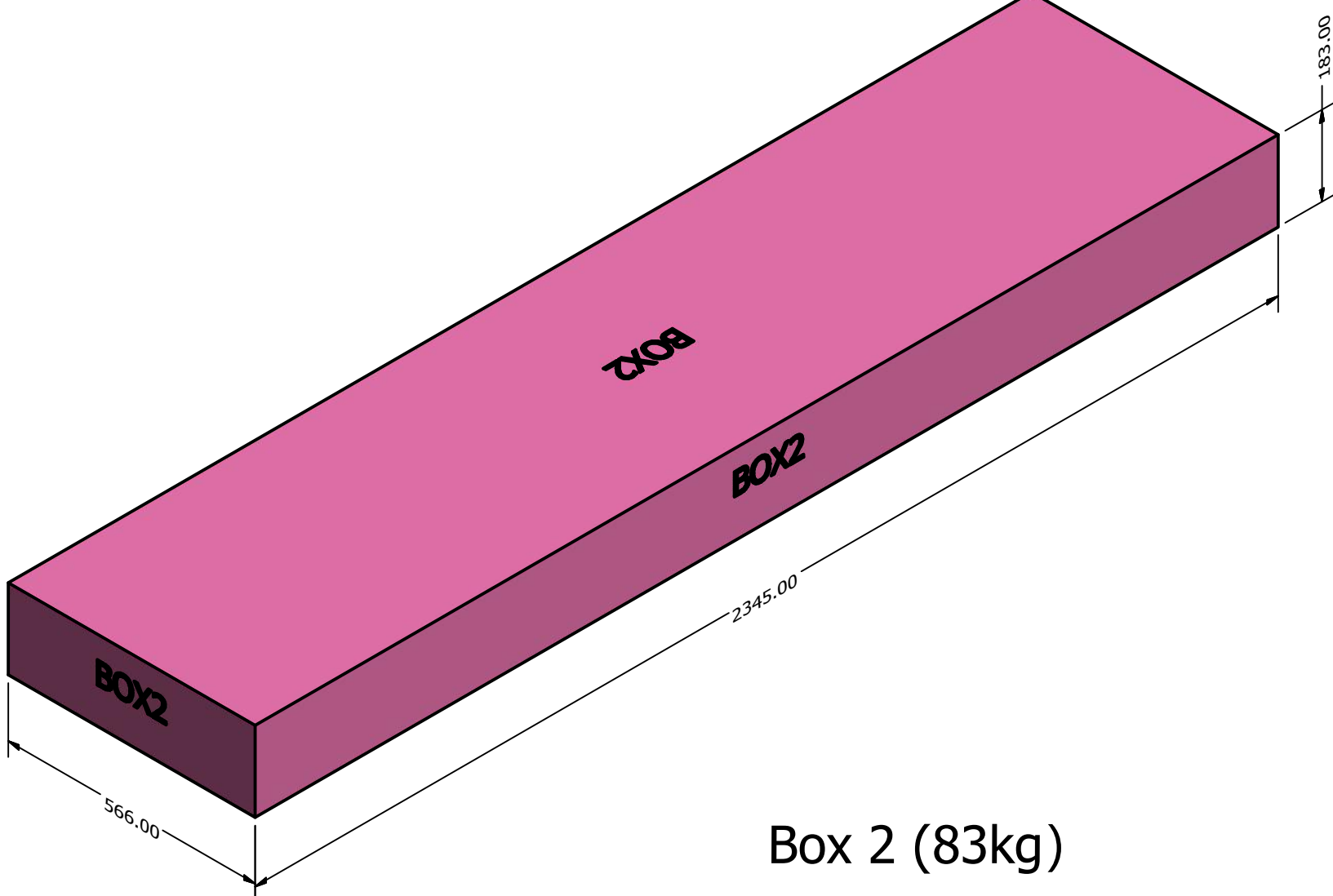
Pallet A (3 Units)



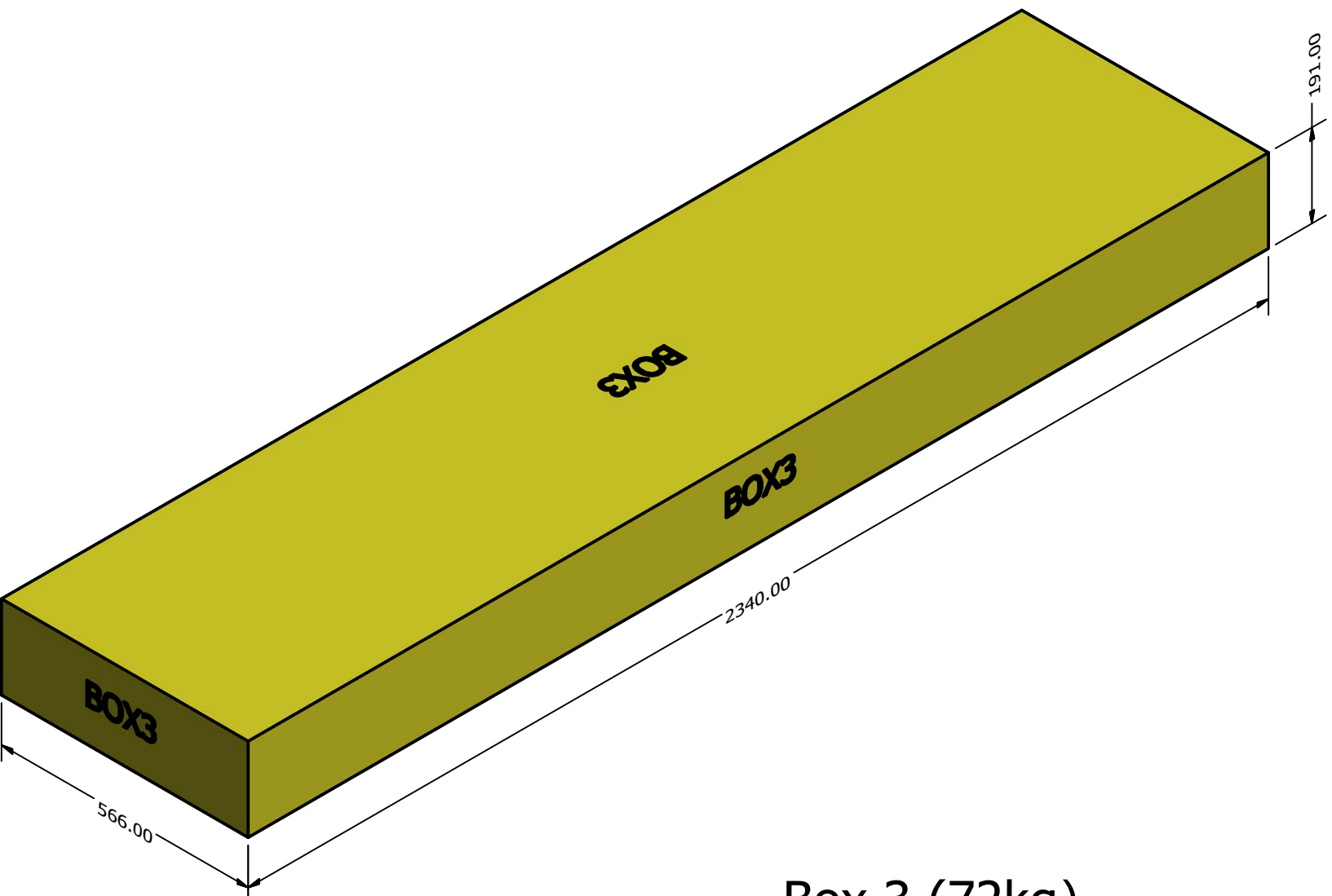
DRAWN Rudy	2021-5-11	TITLE		
CHECKED				
QA				
MFG				
APPROVED		SIZE D	DWG NO	REV
		SCALE 1 : 8	SHEET 1 OF 1	



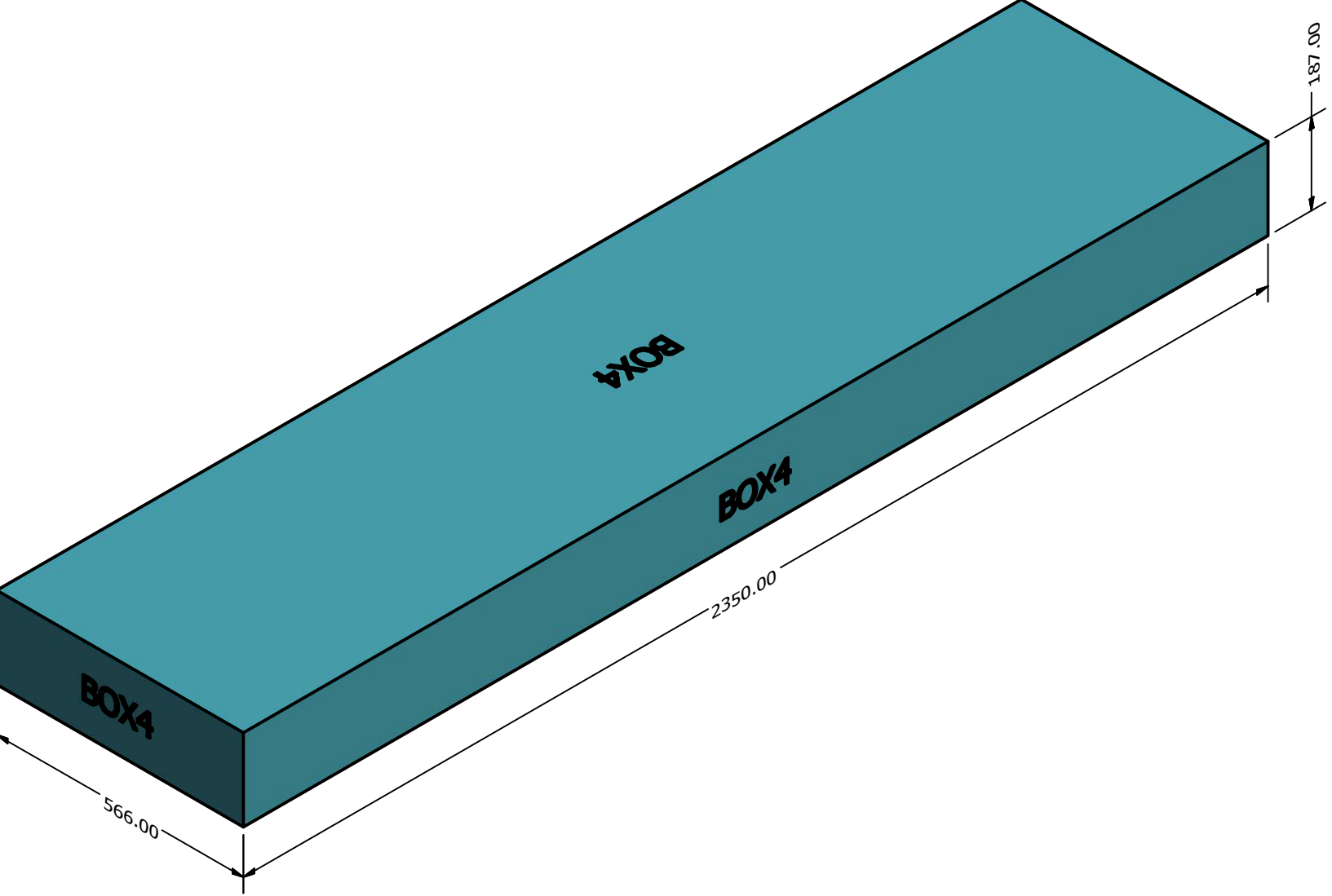
Box 1 (51kg)



Box 2 (83kg)



Box 3 (72kg)



Box 4 (88kg)

DRAWN Rudy	2021-5-11	TITLE		
CHECKED				
QA				
MFG				
APPROVED		SIZE D	DWG NO	REV
		SCALE 1 : 10	SHEET 1 OF 1	