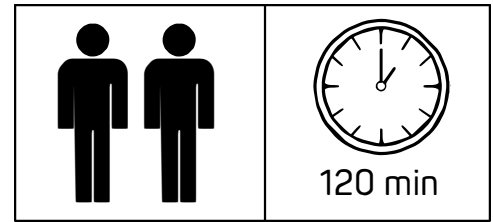
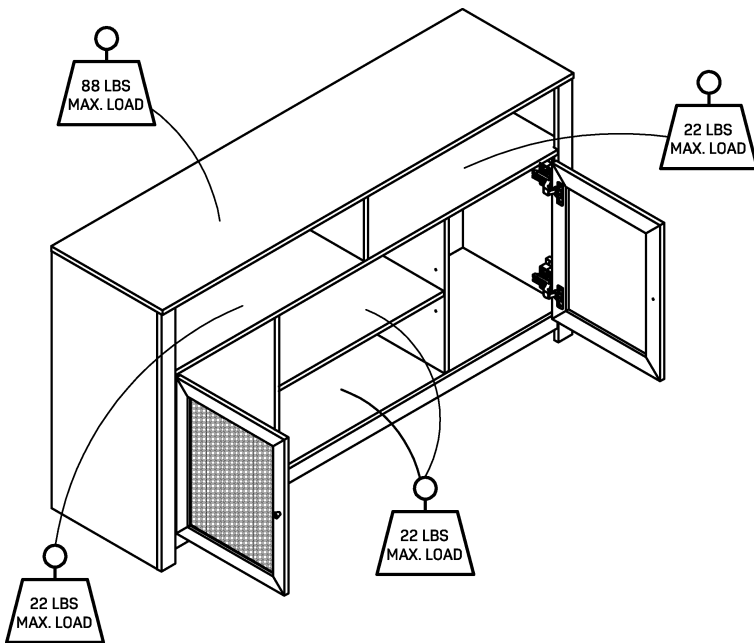


Thank you for your purchase!



BUFFET TV STAND WITH STORAGE

ASSEMBLY INSTRUCTIONS

Before You Begin: Phillips screwdriver required for assembly (Not included)

Please identify all component parts and hardware pieces required before you begin. Carefully remove all of the components from the packaging and set aside for assembly. Assemble on a soft surface to prevent scratching during assembly.

Caution:

Tighten all components securely before use. Failure to do so may result in personal injury.

DO NOT use any sharp objects to open plastic wrapped components as damage to product or components may result.

Warning:

CHOKING HAZARD - Small Parts. Adult Assembly Required.

Injuries may result from tipping furniture. You must install Tipping Restraint Hardware with the unit to prevent the unit from tipping and causing any accidental injury, instability, death or damage. The tipping restraint is intended only as a safety measure, it is not a substitute for proper adult supervision.

The tipping restraint is not an earthquake restraint. If you wish to add the extra security of earthquake restraints, they must be purchased and installed separately.

Serious or fatal crushing injuries can occur from furniture tipping over. To prevent furniture from tipping over it must be permanently fixed to the wall. Fixing devices for the wall are not included since different wall materials require different types of fixing devices. Use fixing devices suitable for the walls in your home.

Note: Manufacturer assumes no liability for improper installation or excessive loads placed on screws or brackets.

Failure to detach this restraint before moving furniture may result in injury or damage. **DO NOT ALLOW CHILDREN TO CLIMB ON FURNITURE**

.....
Customer Service Email: Customerexperience@theubiquegroup.com | Phone: 866-552-2810

196861189678/196861189685



Congratulations!

You just purchased a piece of happiness. At Ubique Group, we believe you can transform your spaces into the most inspired places with furnishings that are the perfect combination of form, function and style. As original innovators of online furniture retail, we offer the best selection of popular, contemporary styles at cool, comfortable prices. And, with decades of proven shipping and packaging expertise, our Extended Quality Checklist ensures a rewarding, hassle-free experience time and time again. It's just what you need to bring your vision to life.

Thank you & Enjoy!!
your friends at Ubique Group



LIKE IT!

*Share it on social
& Tell a friend!
#Spaces2Places*



LOVE IT!

*Write an online
product review
where purchased*



NOT SURE?

*Let us help!
Contact our
customer support.*

Have a question, concern or simply need a hand? Your satisfaction is our top priority. Contact us at 866-552-2810 or customerexperience@theubiquegroup.com. We're here to help!

Browse Our Branded Collections

There's something for everyone inside our family of brands.



Visit www.theubiquegroup.com/brands or scan this code.





We pride ourselves on providing an excellent customer experience starting right here with your package and instructions. Everything you need should be right where you need it, so you can get to enjoying your new item ASAP. But despite our best efforts, sometimes "slips happen." If you need any support, from replacement parts to recommendations, please reach out to our wonderful customer support team at 866-552-2810 or customerexperience@theubiquegroup.com. We're here to help!

EVERY UBIQUE GROUP PRODUCT



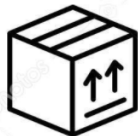
Quality &
Durability Tested



Packaged
with Care



Shipped from
our U.S. Facility



Designed
for Easy
Assembly

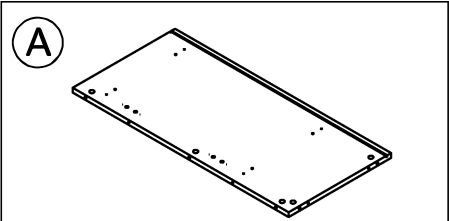
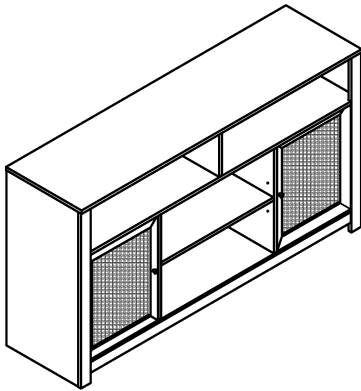


Ethically
Sourced

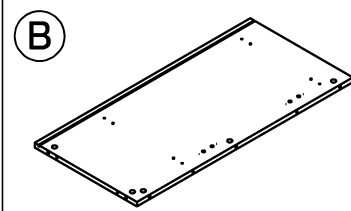
Please visit <https://www.theubiquegroup.com/warranty> for complete warranty information.

Read this manual before using this product. Failure to follow the instructions and safety precautions in this manual can result in serious injury or death. Keep this manual in a safe location for future reference.

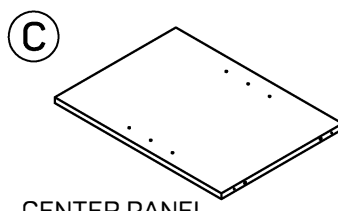
PARTS LIST



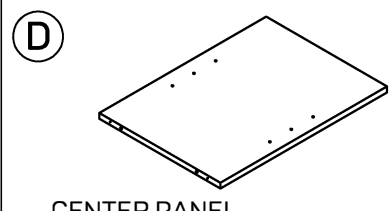
A
SIDE PANEL RIGHT 1PC



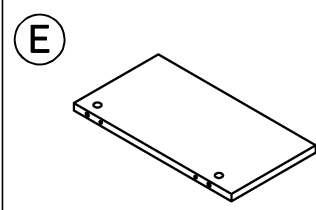
B
SIDE PANEL LEFT 1PC



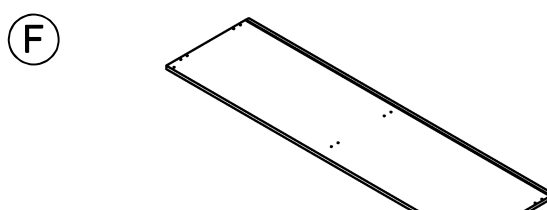
C
CENTER PANEL
BOTTOM RIGHT 1PC



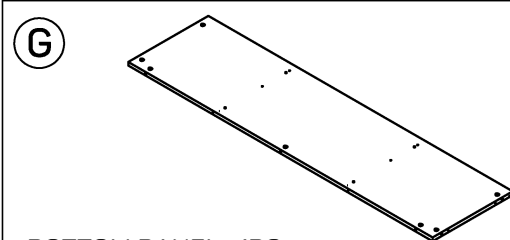
D
CENTER PANEL
BOTTOM LEFT 1PC



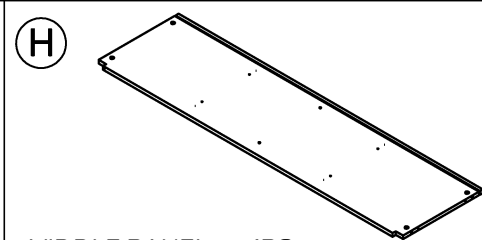
E
CENTER PANEL TOP 1PC



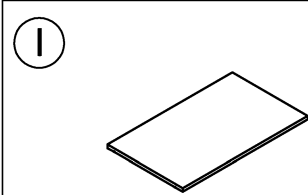
F
TOP PANEL 1PC



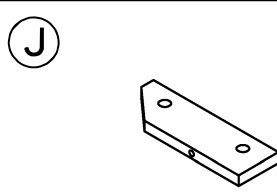
G
BOTTOM PANEL 1PC



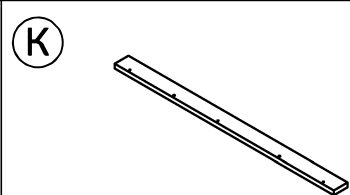
H
MIDDLE PANEL 1PC



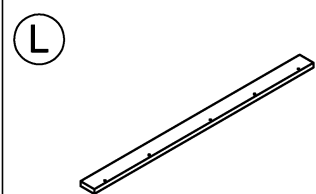
I
ADJUSTABLE PANEL 1PC



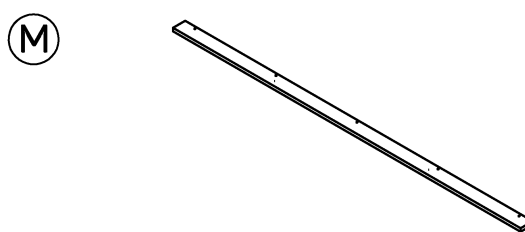
J
CENTER LEG 2PCS



K
FRONT SUPPORT RIGHT 1PC



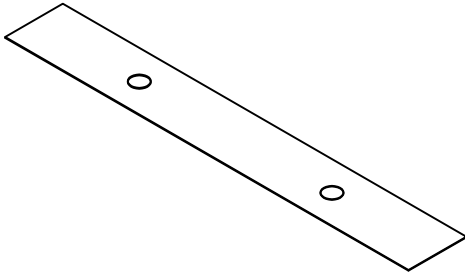
L
FRONT SUPPORT LEFT 1PC



M
FRONT SUPPORT 1PC

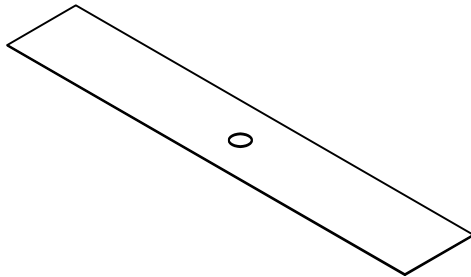
PARTS LIST

(N)



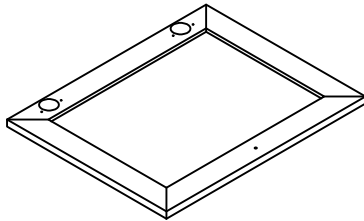
BACK PANEL TOP 1PC

(O)













BACK PANEL BOTTOM 2PCS







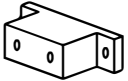



(P)



DOOR PANEL 2PCS

HARDWARE LIST

ITEM	DESCRIPTION	QTY
①	0.47" FEMALE CAMLOCK 	31 pcs
②	7/8 HINGES 	4 pcs
③	1.26" MALE CAMLOCK 	31 pcs
④	1.18" WOOD DOWEL 	32 pcs
⑤	GLUE 	2 pcs
⑥	1.49" SCREW 	6 pcs
⑦	0.63" SCREW 	16 pcs
⑧	METAL KNOB 	2 pcs
⑨	0.75" MACHINE SCREW 	2 pcs
⑩	0.63" ADJUSTABLE GLIDE 	2 pcs

ITEM	DESCRIPTION	QTY
⑪	SHELF PIN 	4 pcs
⑫	PLASTIC WEDGE 	12 pcs
⑬	0.79" CSK CHIPBOARD SCREW 	12 pcs
⑭	0.91" STICKER COVER 	8 pcs
⑮	0.63" FLOOR GLIDE 	4 pcs
⑯	56.7" PVC H 	1 pc
⑰	1.38" ABS DOOR ADAPTER 	4 pcs
⑱	0.63" SCREW 	8 pcs
⑲	0.47" SCREW 	4 pcs
⑳	1.18" METAL L BRACKET 	2 pcs

Glue must be applied to both sides of the wood dowels

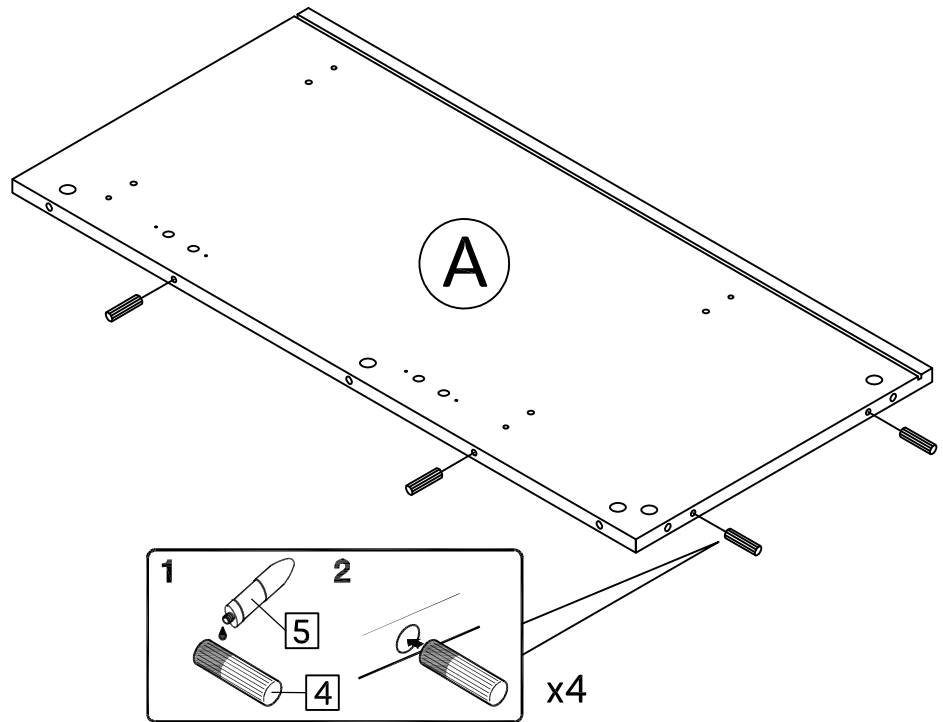


INSTALLATION

STEP 1

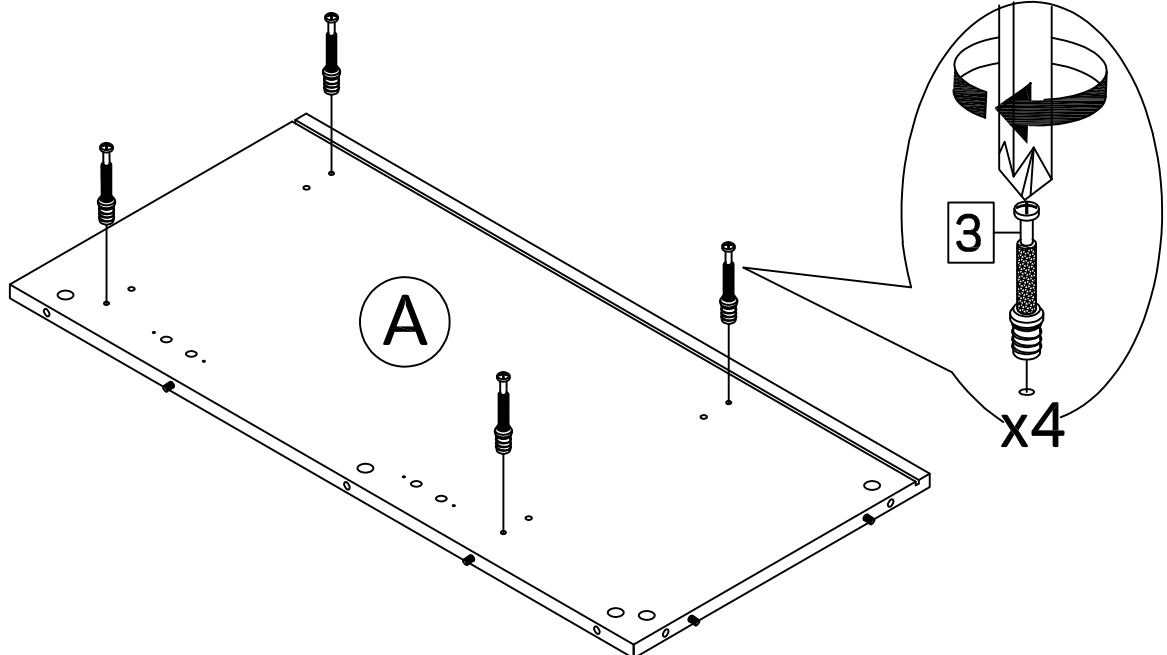
④ 1.18"
WOOD DOWEL
4pcs

⑤ GLUE
1pc



STEP 2

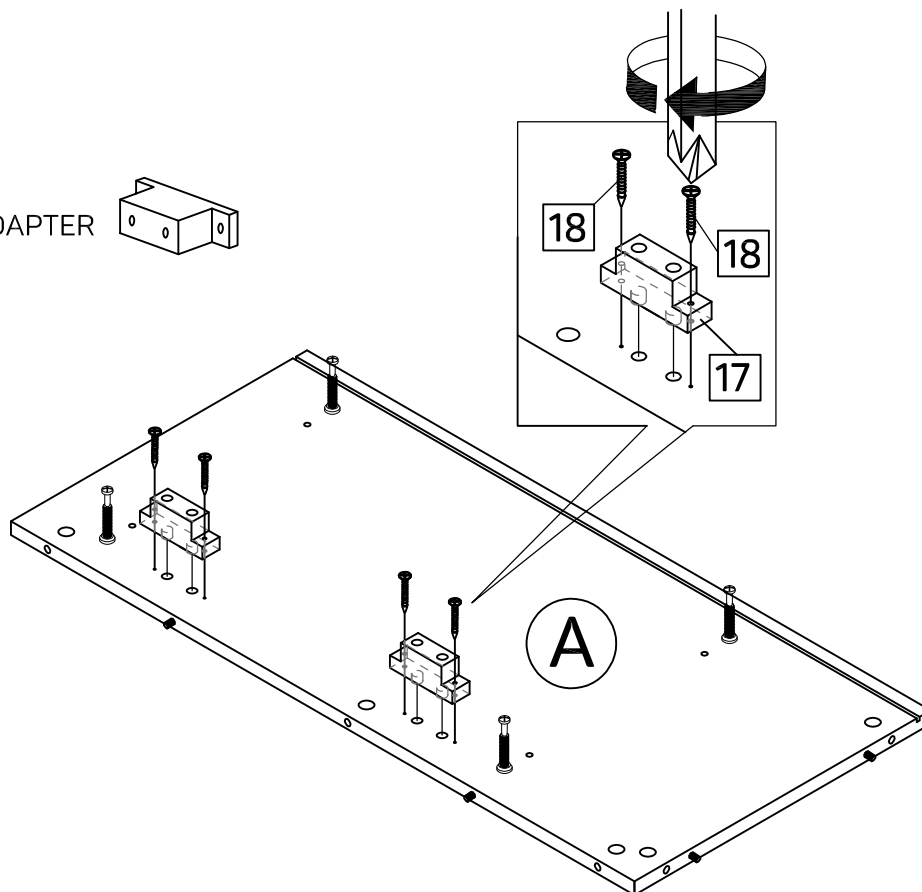
③ 1.26"
MALE CAMLOCK
4pcs



STEP 3

17 1.38"
ABS DOOR ADAPTER
2pcs

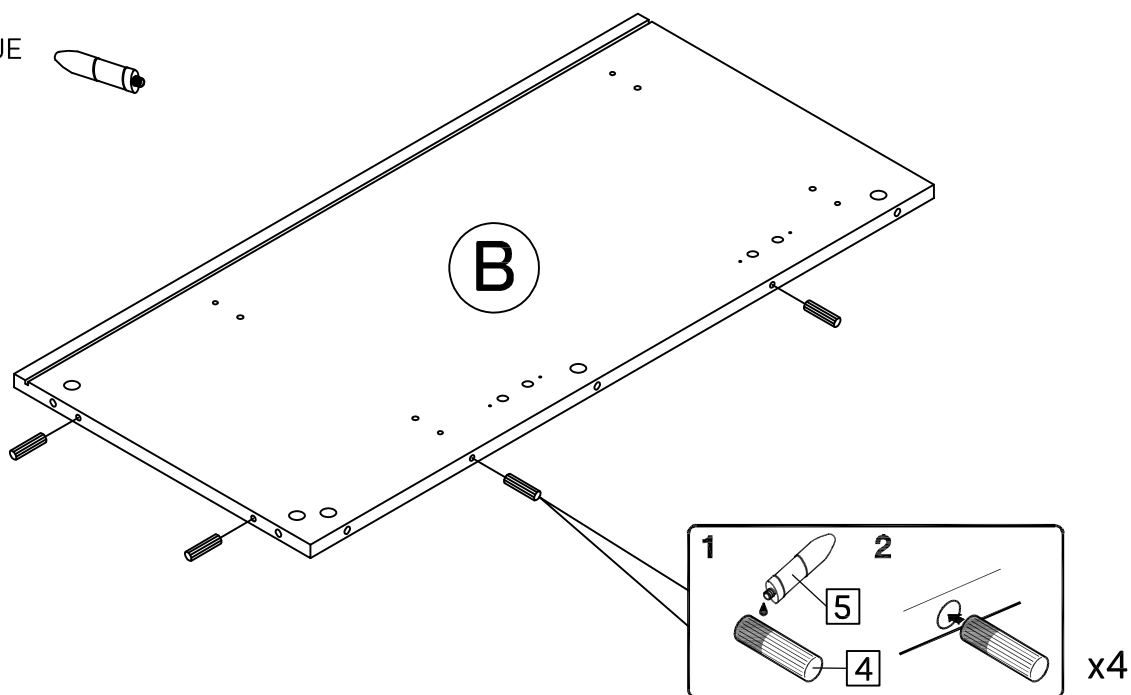
18 0.63"
SCREW
4pcs



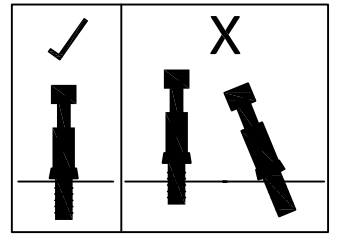
STEP 4

4 1.18"
WOOD DOWEL
4pcs

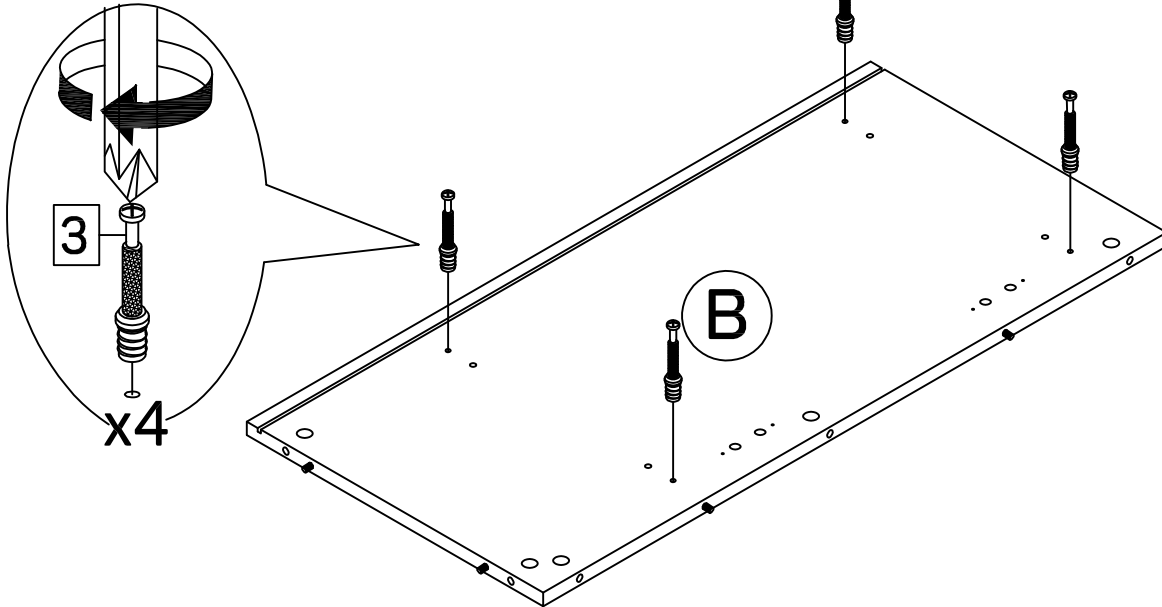
5 GLUE
1pc



STEP 5

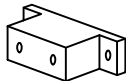


- ③ 1.26"
MALE CAMLOCK
4pcs

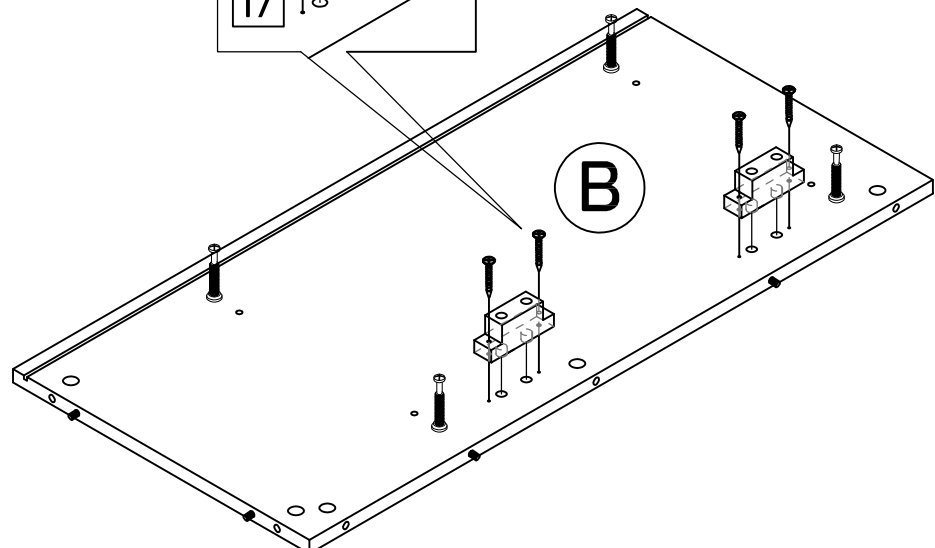
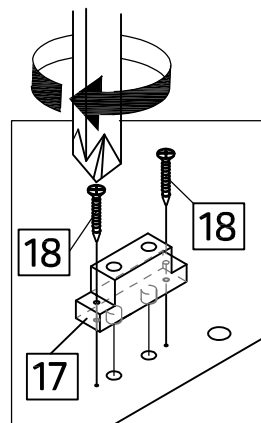


STEP 6

- ①⑦ 1.38"
ABS DOOR ADAPTER
2pcs



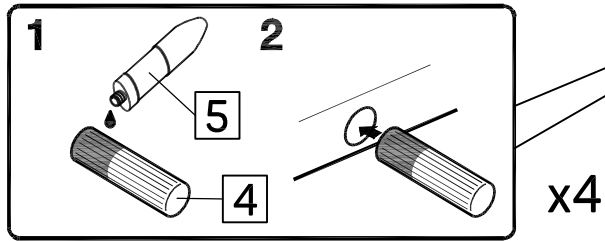
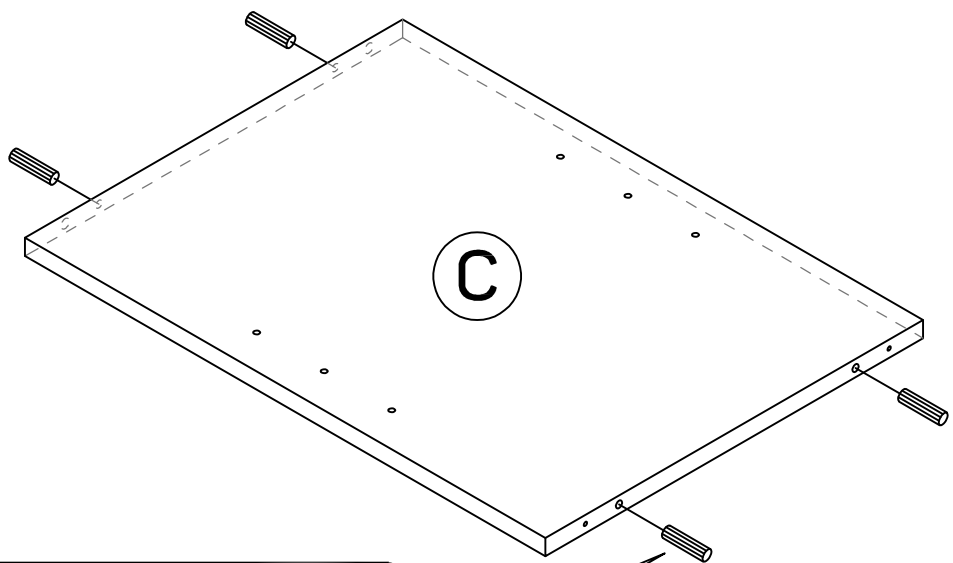
- ①⑧ 0.63"
SCREW
4pcs



STEP 7

- ④ 1.18" WOOD DOWEL 4pcs

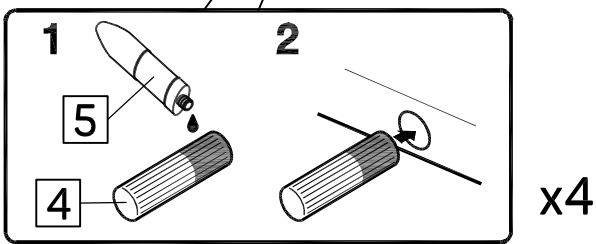
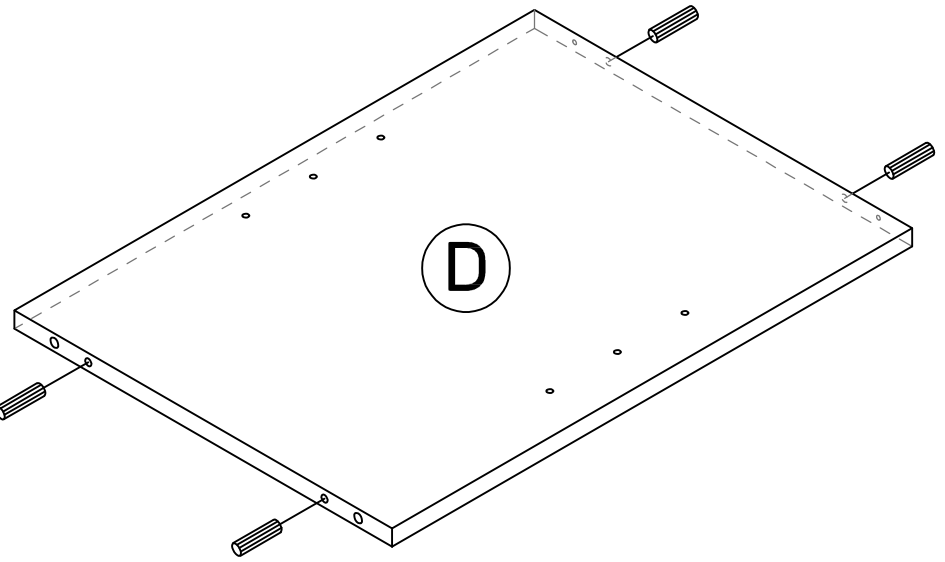
- ⑤ GLUE 1pc



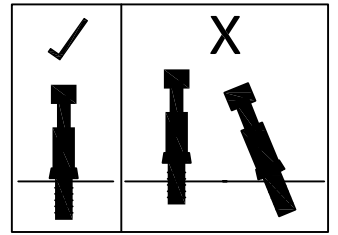
STEP 8

- ④ 1.18" WOOD DOWEL 4pcs

- ⑤ GLUE 1pc



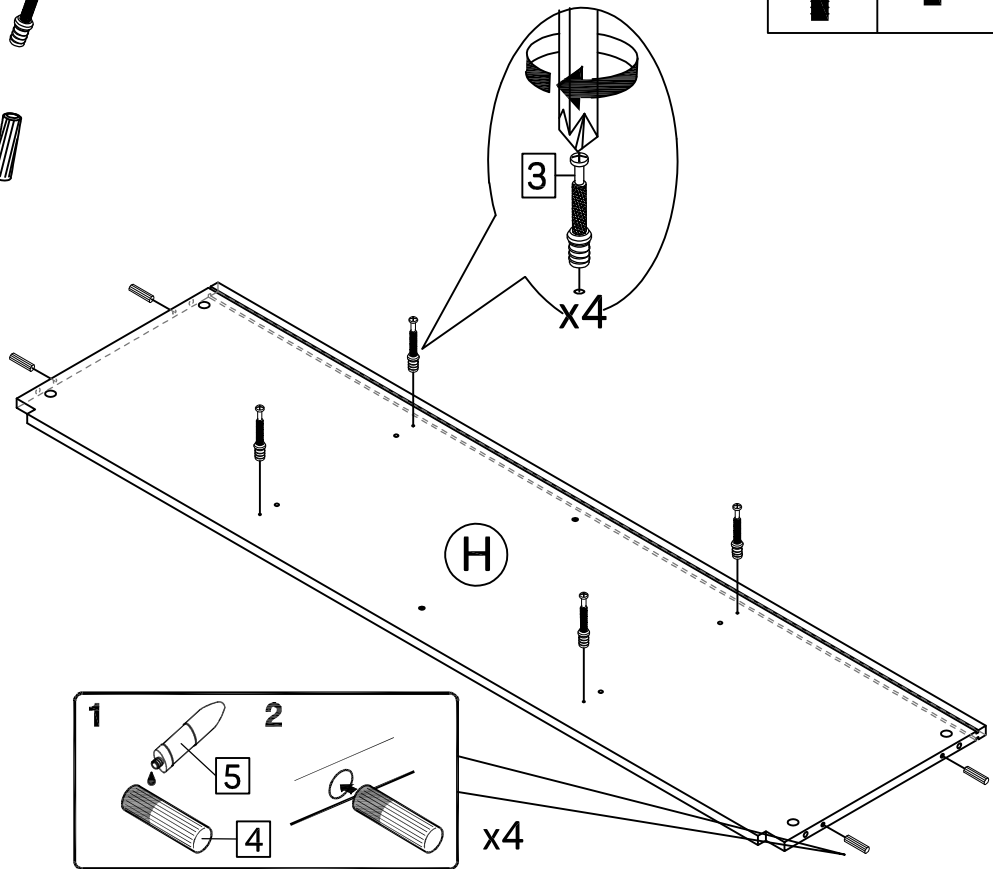
STEP 9



③ 1.26"
MALE CAMLOCK
4pcs

④ 1.18"
WOOD DOWEL
4pcs

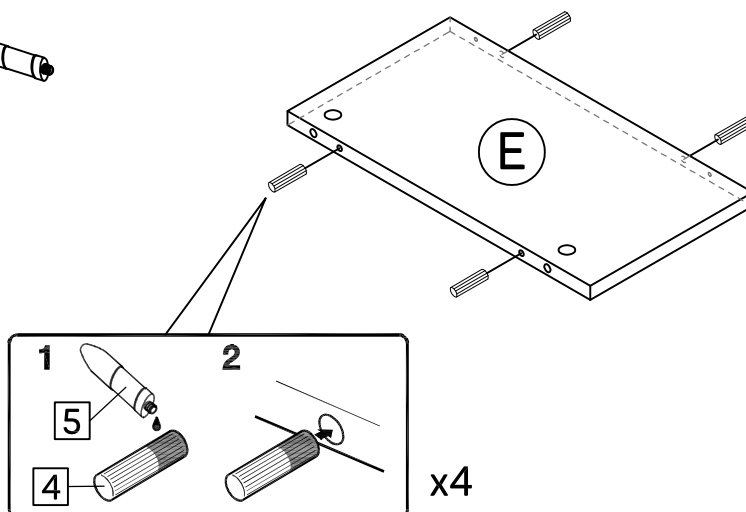
⑤ GLUE
1pc



STEP 10

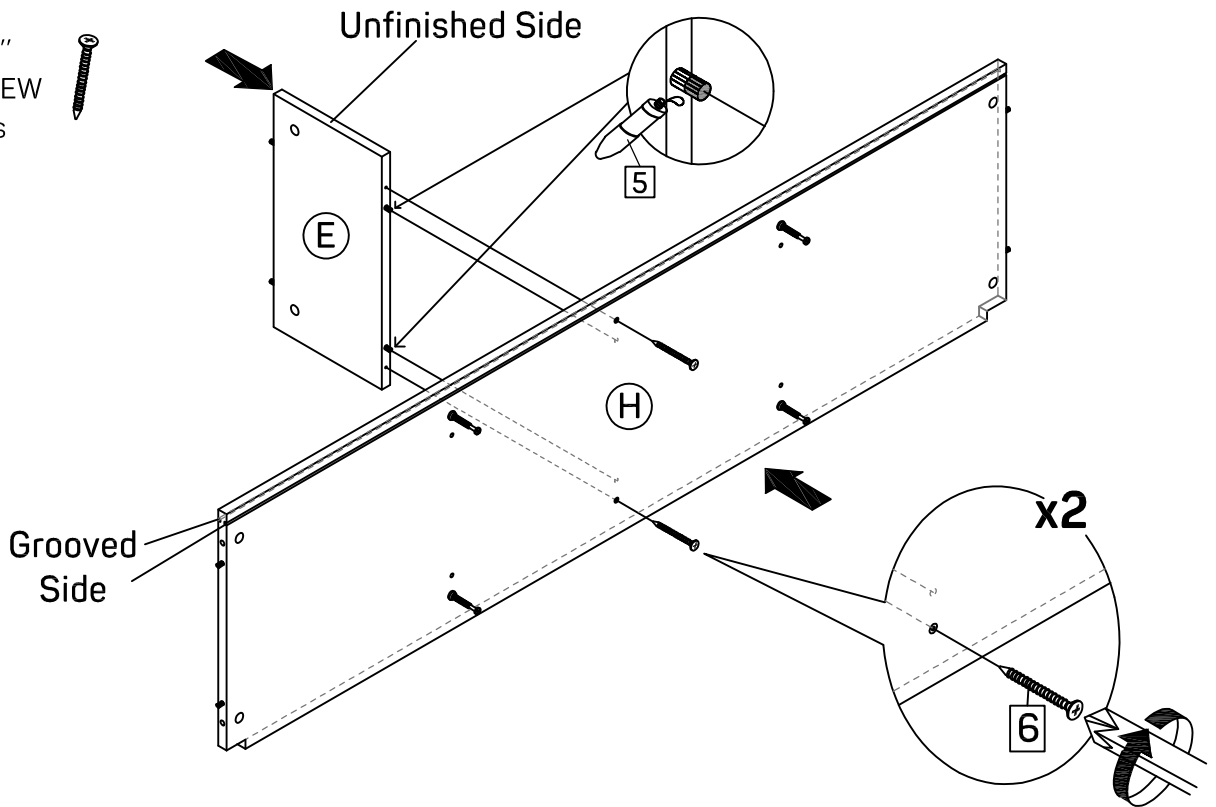
④ 1.18"
WOOD DOWEL
4pcs

⑤ GLUE
1pc



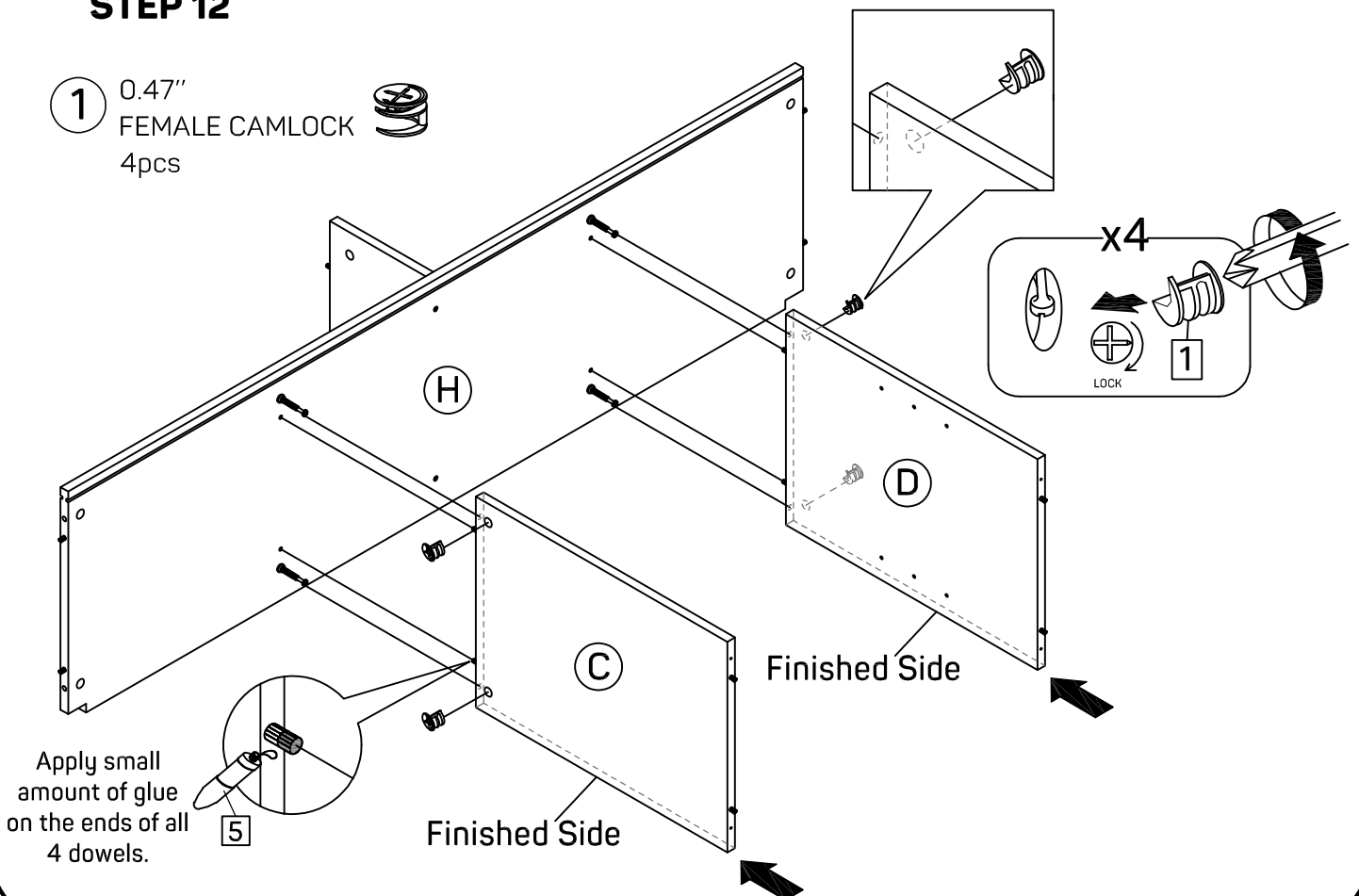
STEP 11

- ⑥ 1.49"
SCREW
2pcs



STEP 12

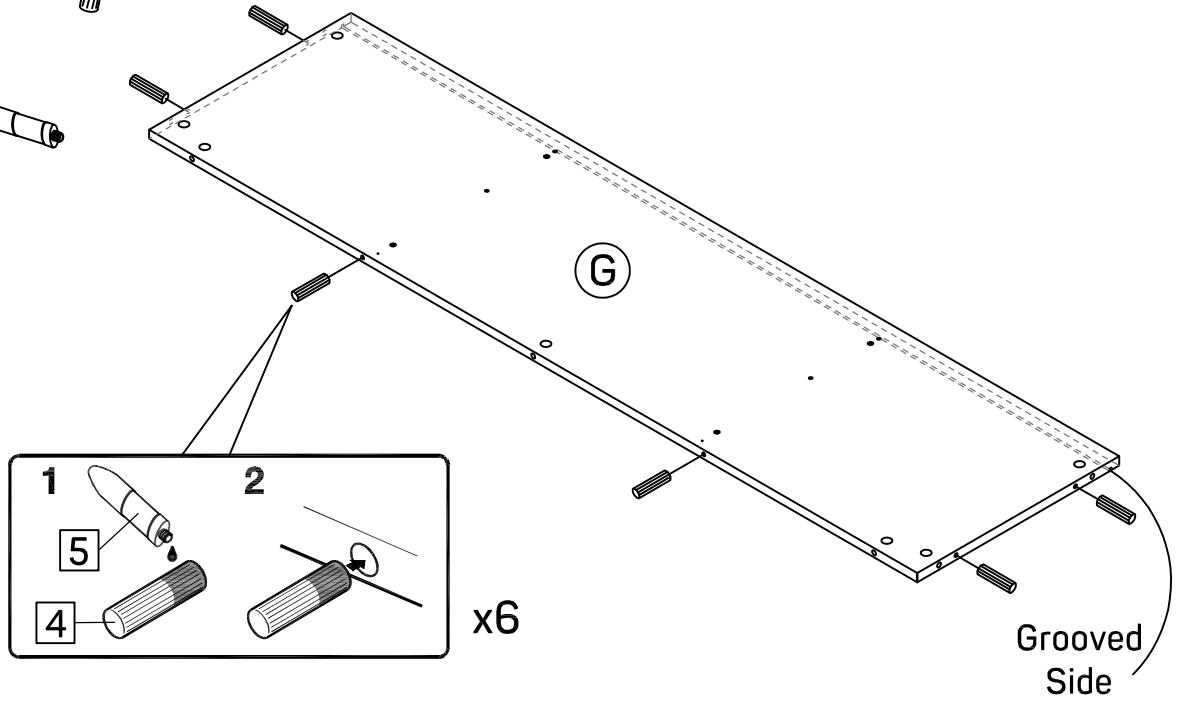
- ① 0.47"
FEMALE CAMLOCK
4pcs



STEP 13

- ④ 1.18" WOOD DOWEL
6pcs

- ⑤ GLUE
1pc



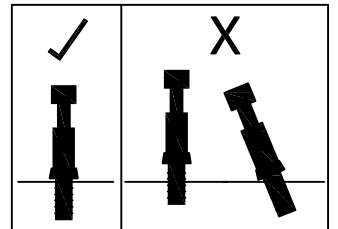
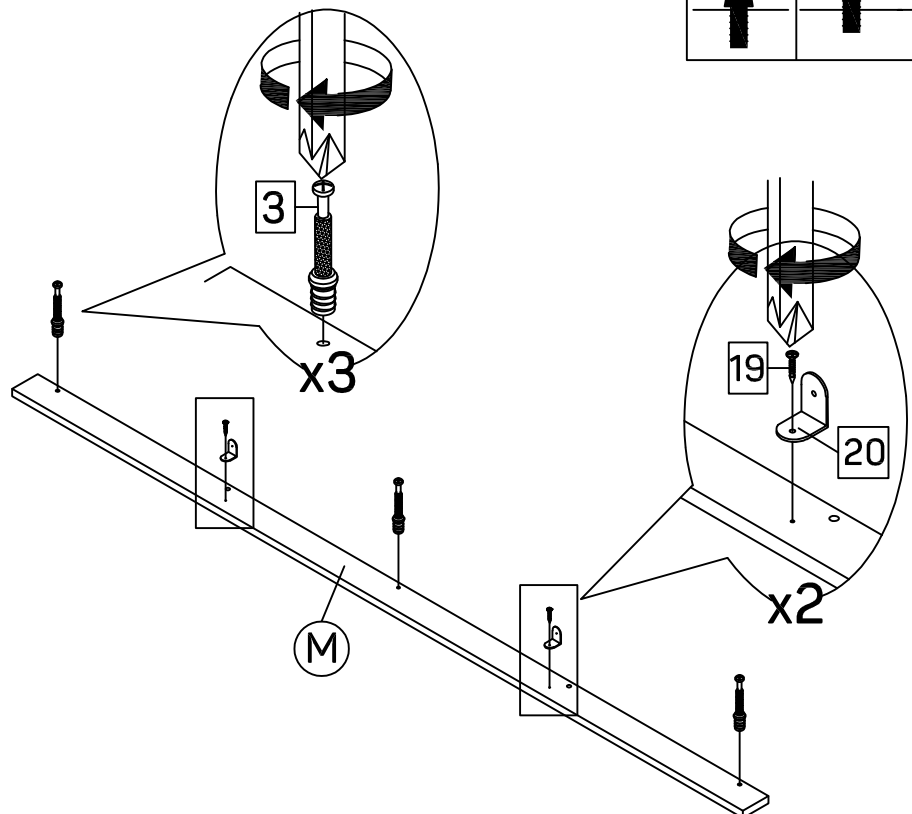
Grooved Side

STEP 14

- ③ 1.26" MALE CAMLOCK
3pcs

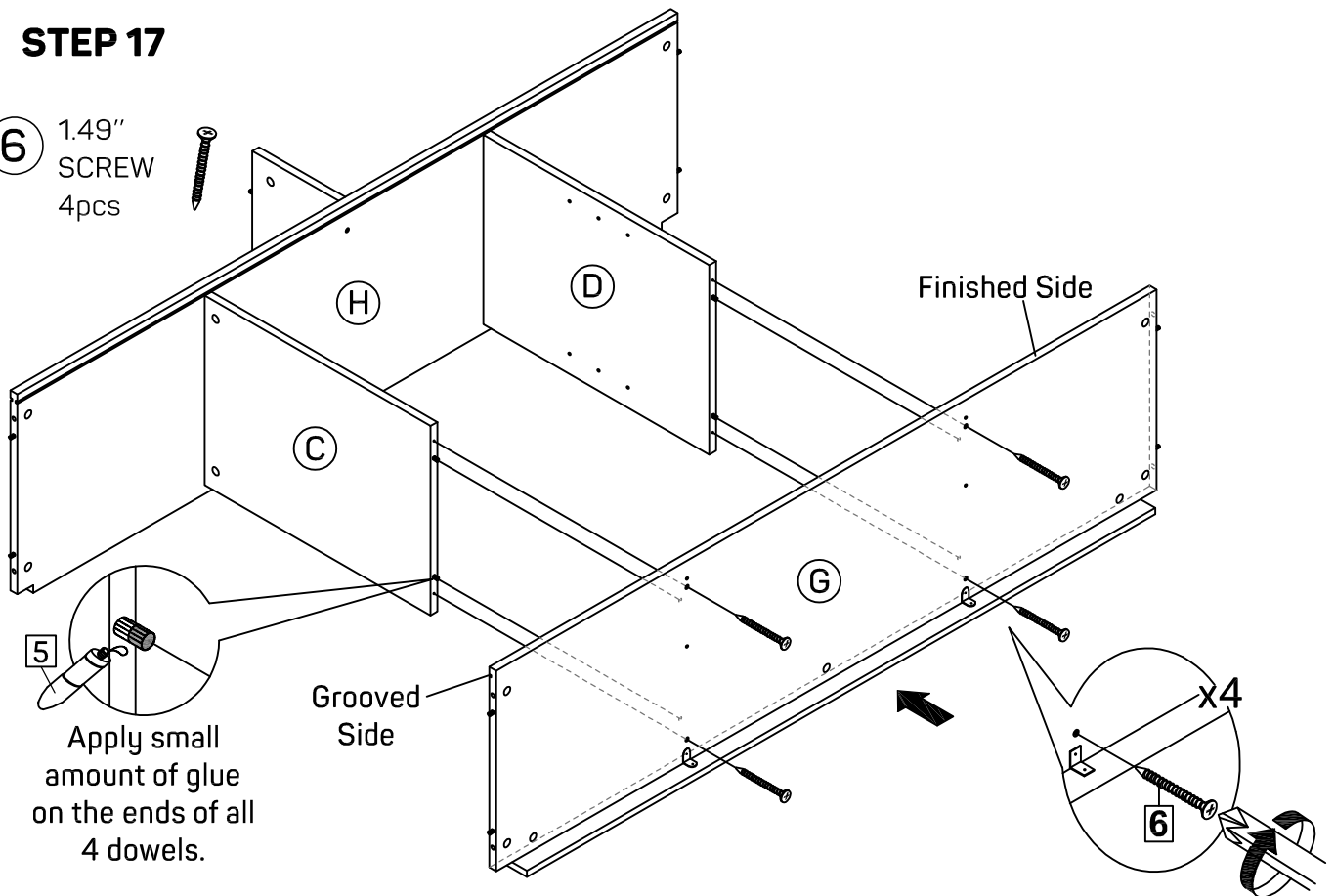
- ⑱ 0.47" SCREW
2pcs

- ⑳ 1.18" METAL L BRACKET
2pcs



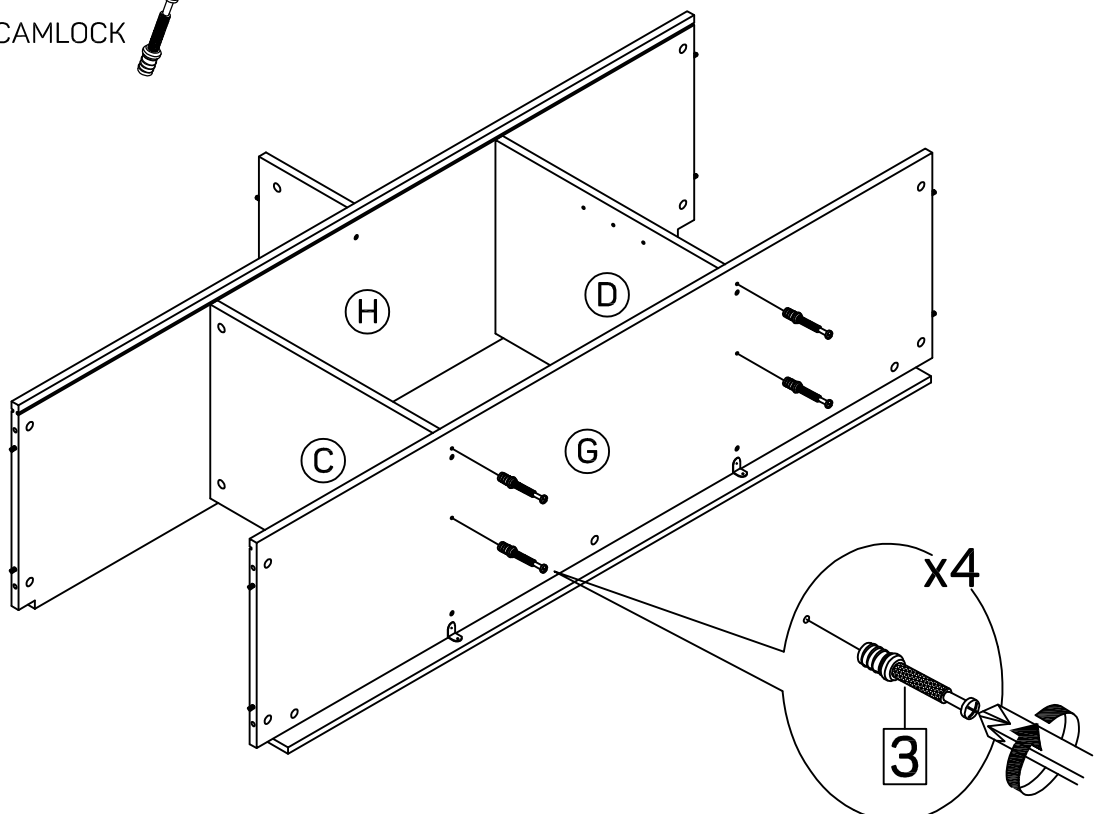
STEP 17

- 6 1.49"
SCREW
4pcs



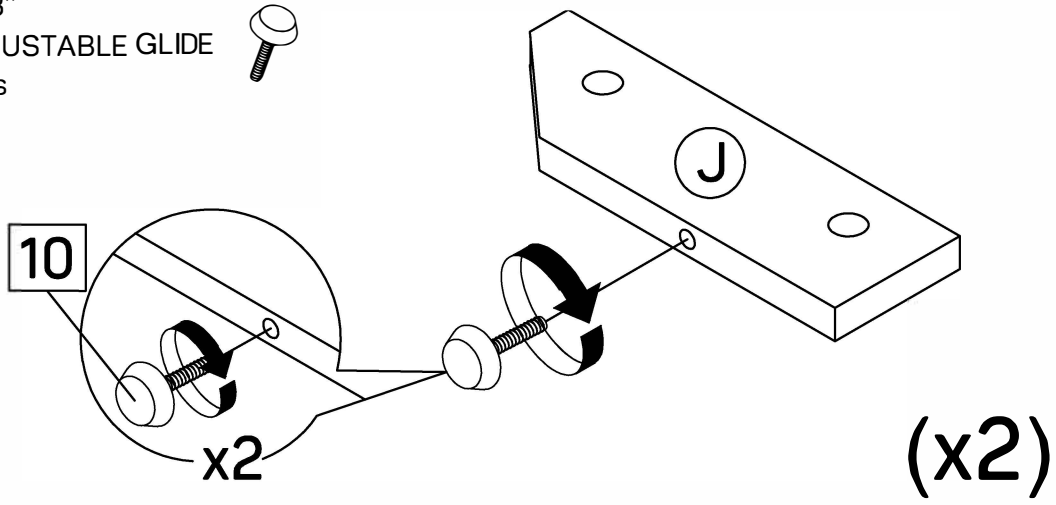
STEP 18

- 3 1.26"
MALE CAMLOCK
4pcs



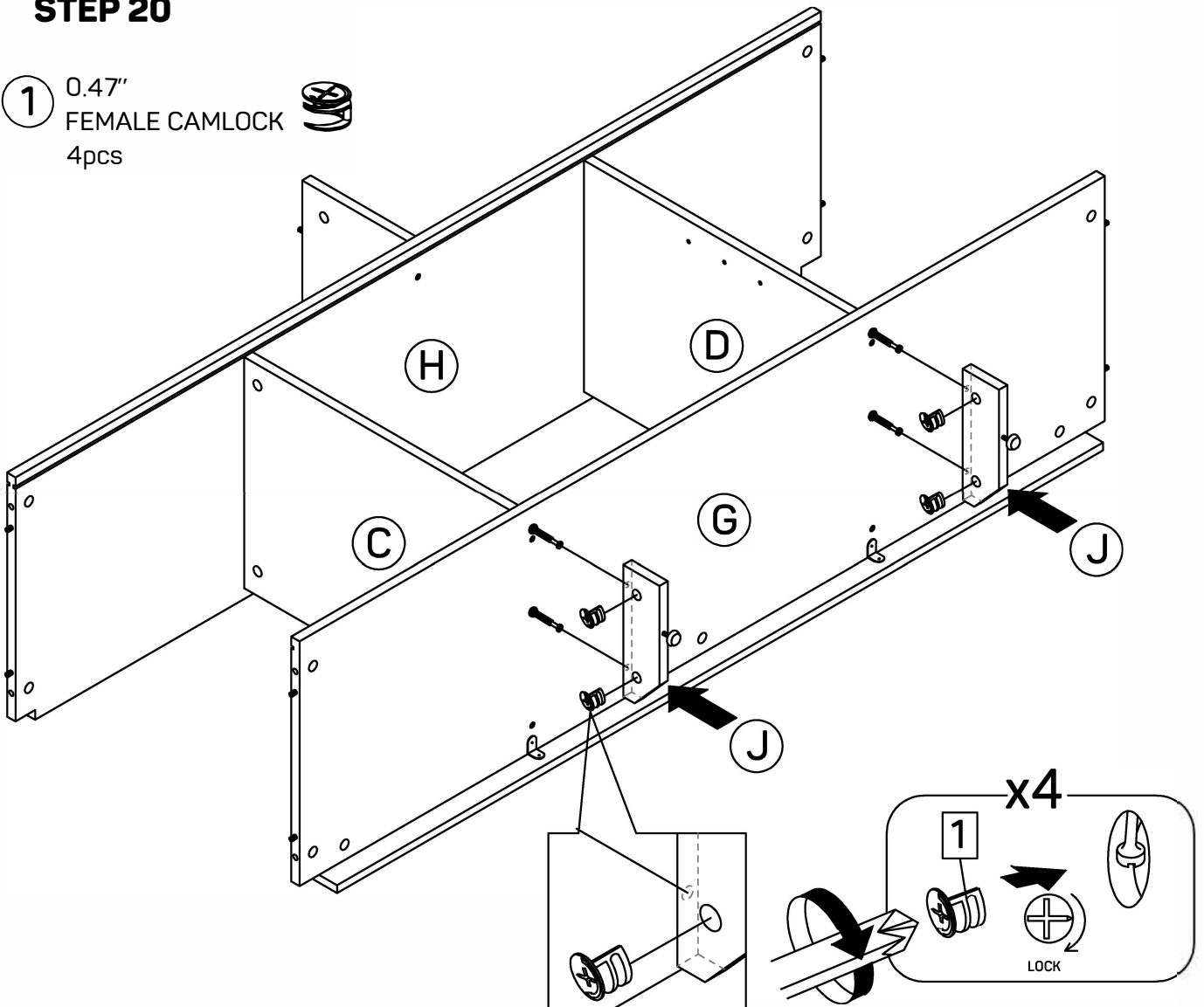
STEP 19

- 10 0.63"
ADJUSTABLE GLIDE
2pcs



STEP 20

- 1 0.47"
FEMALE CAMLOCK
4pcs

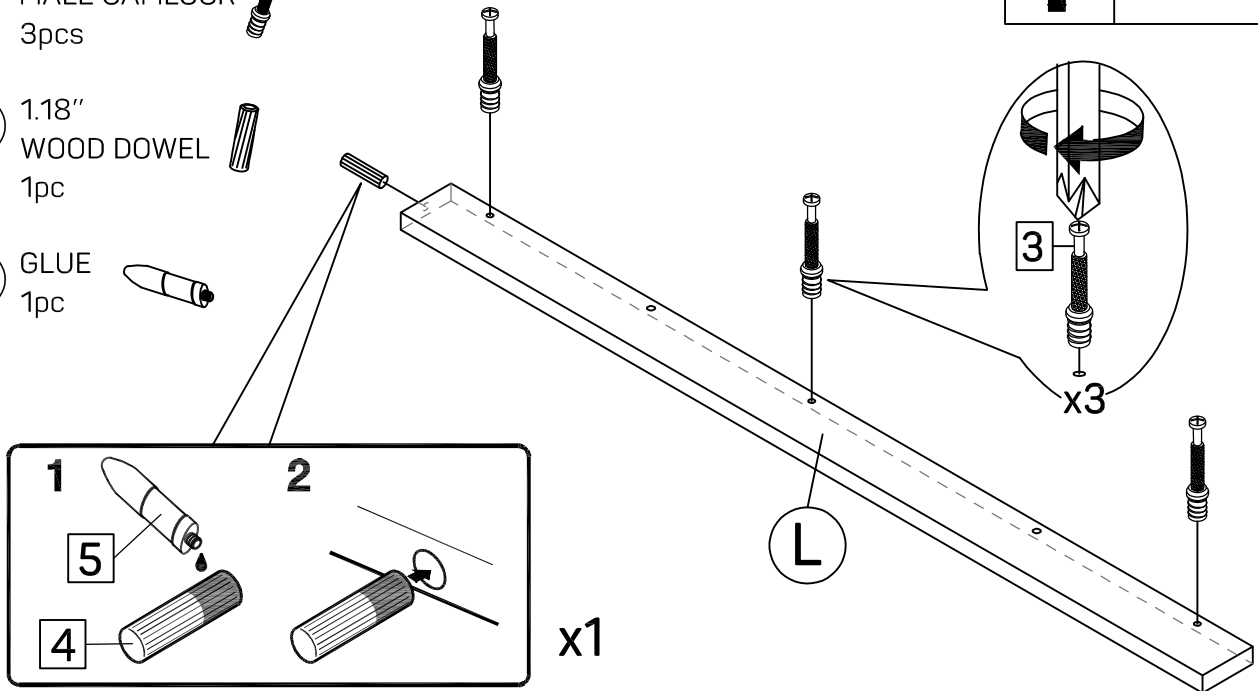
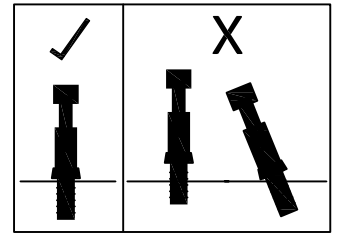


STEP 21

③ 1.26"
MALE CAMLOCK
3pcs

④ 1.18"
WOOD DOWEL
1pc

⑤ GLUE
1pc

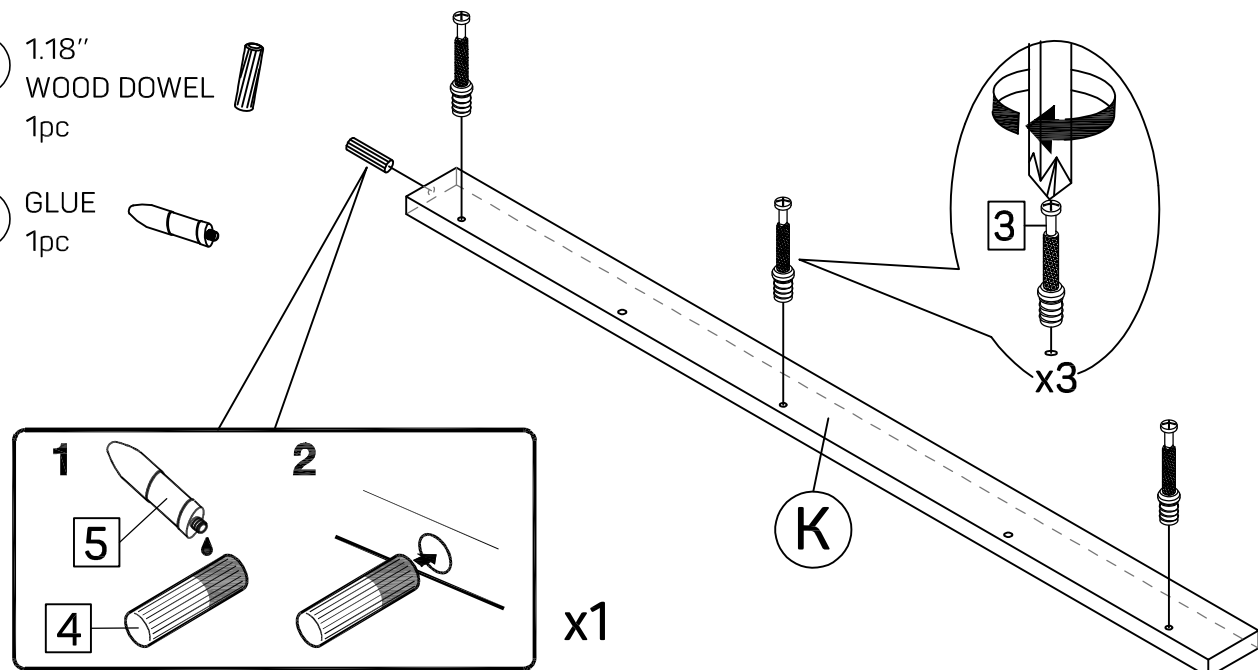
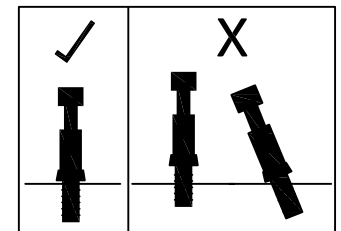


STEP 22

③ 1.26"
MALE CAMLOCK
3pcs

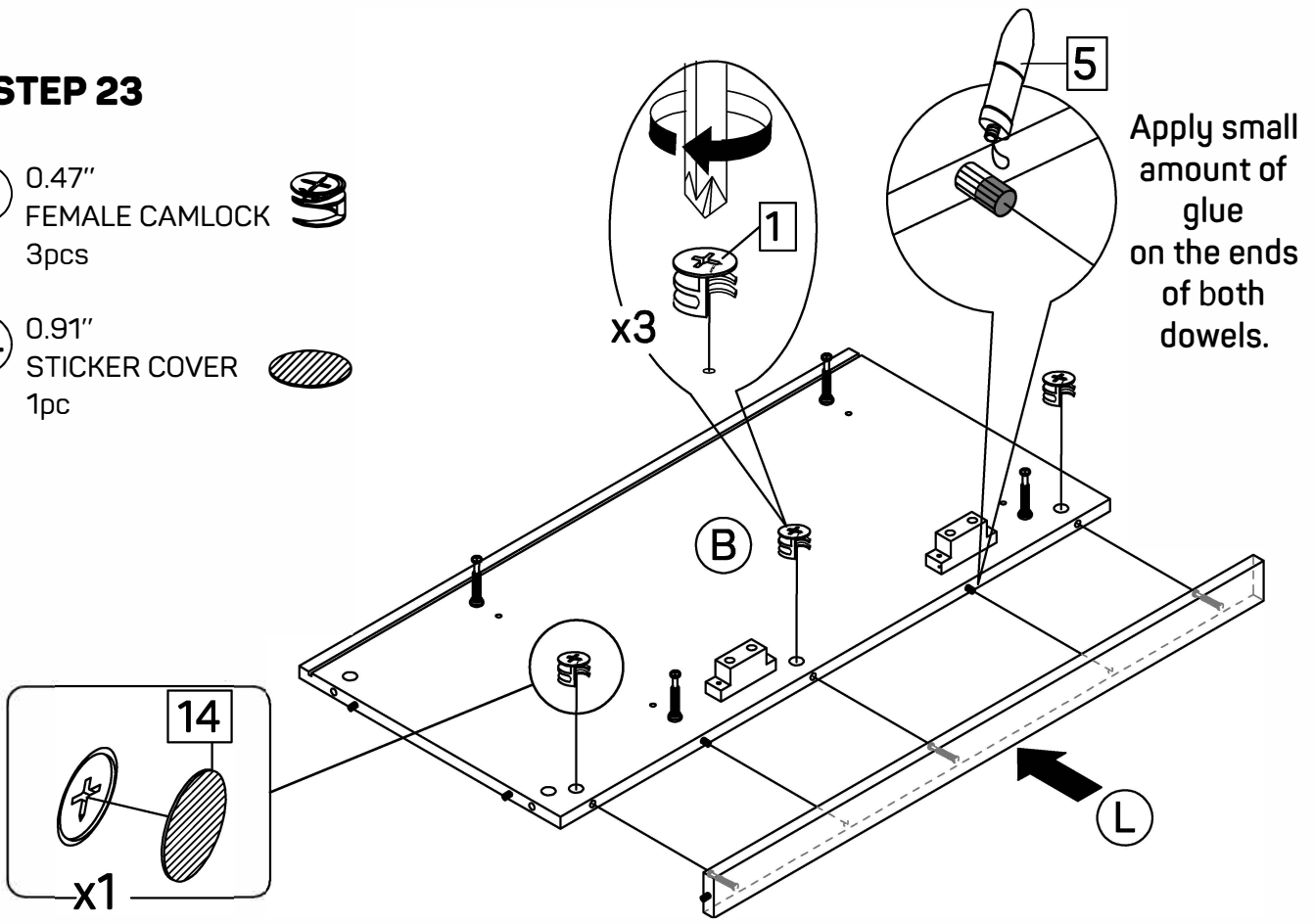
④ 1.18"
WOOD DOWEL
1pc

⑤ GLUE
1pc



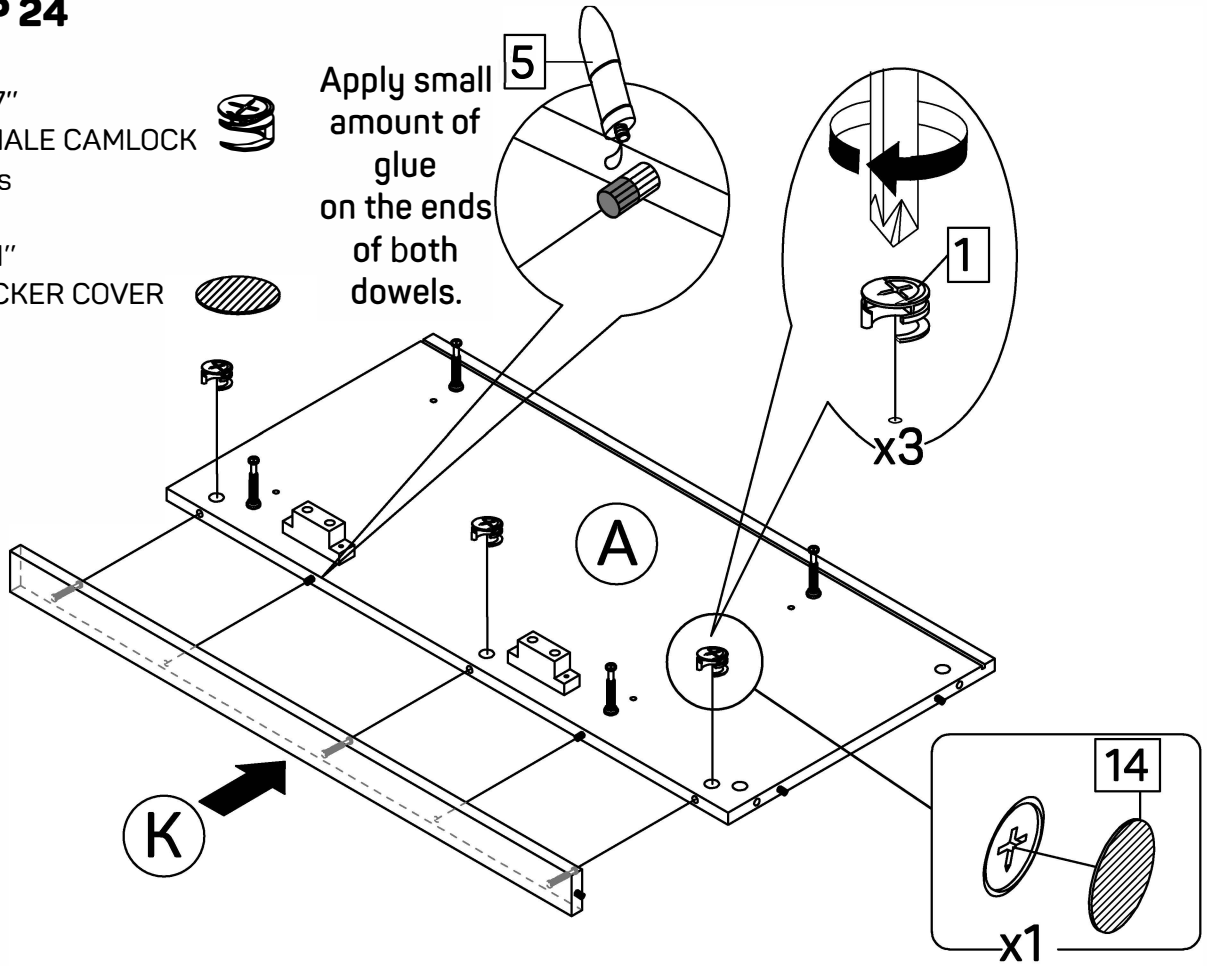
STEP 23

- ① 0.47" FEMALE CAMLOCK 3pcs
- ⑭ 0.91" STICKER COVER 1pc



STEP 24

- ① 0.47" FEMALE CAMLOCK 3pcs
- ⑭ 0.91" STICKER COVER 1pc

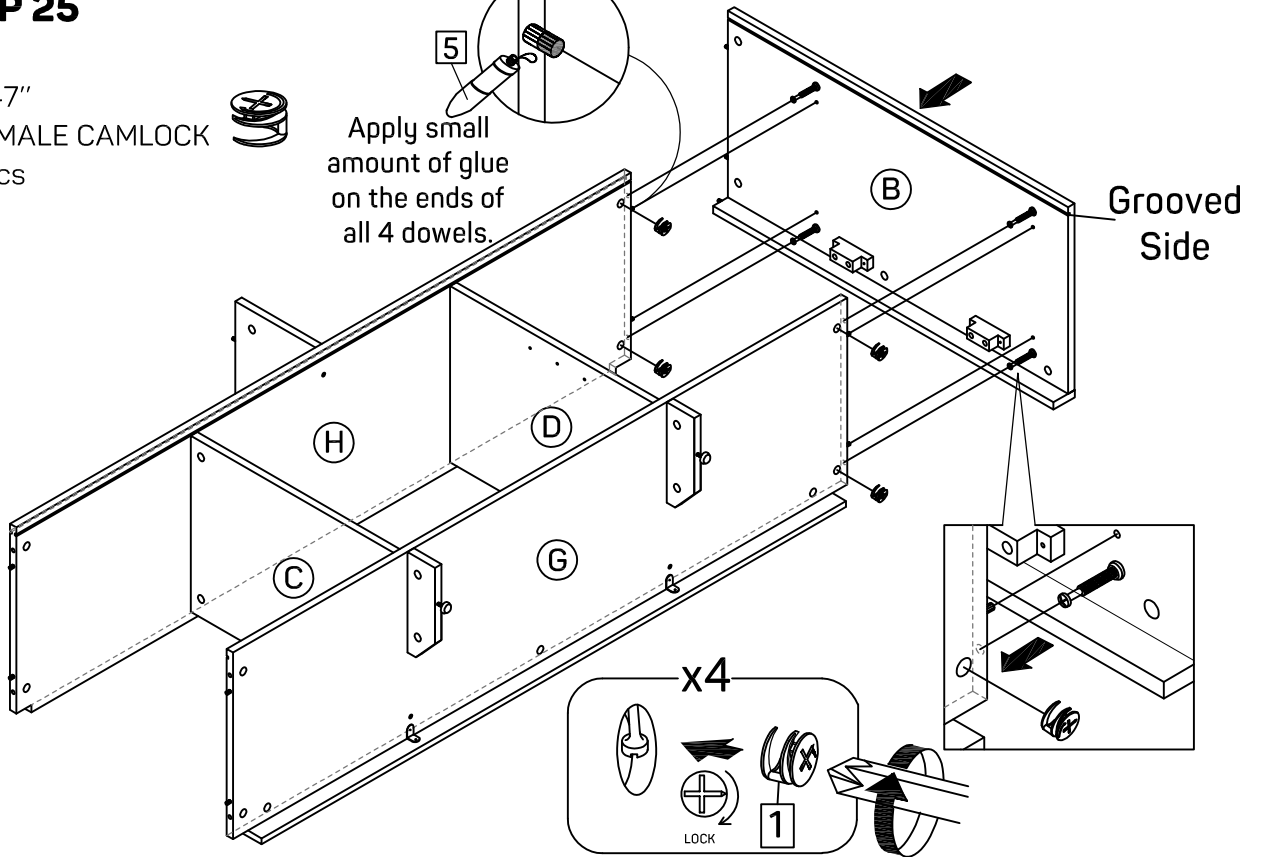
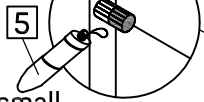


STEP 25

- ① 0.47" FEMALE CAMLOCK
4pcs



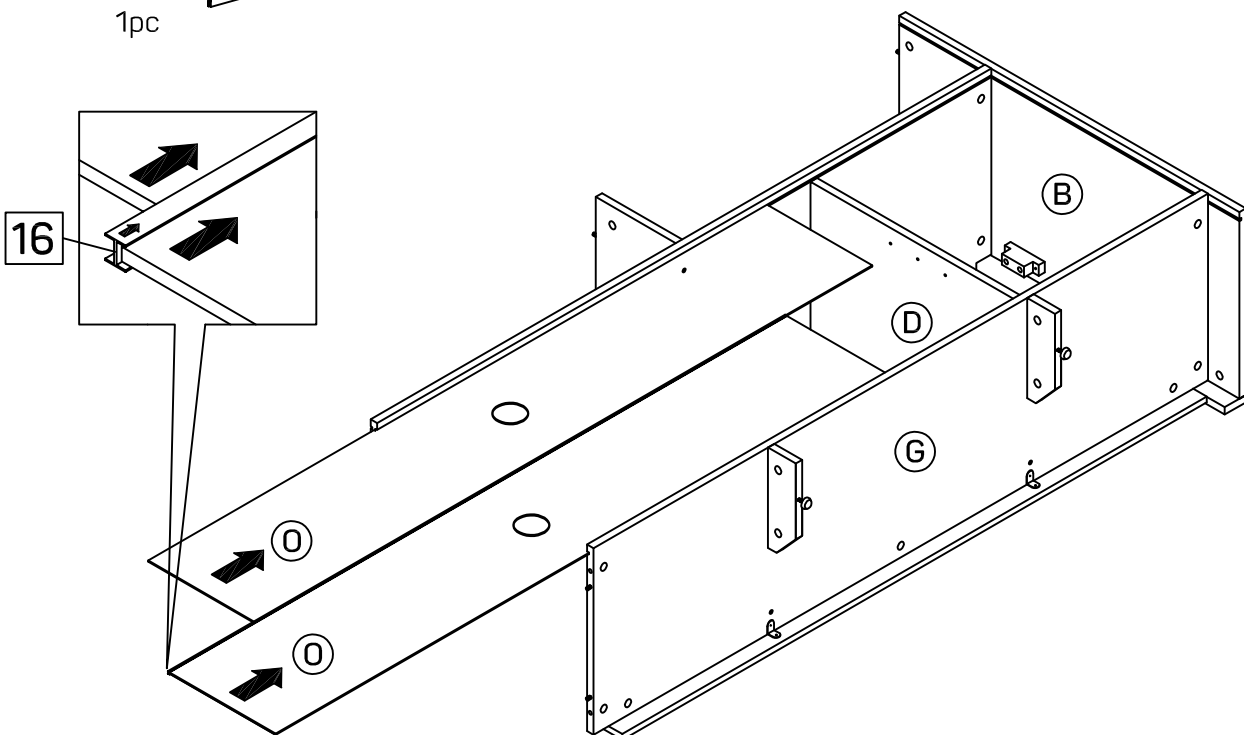
Apply small amount of glue on the ends of all 4 dowels.



STEP 26

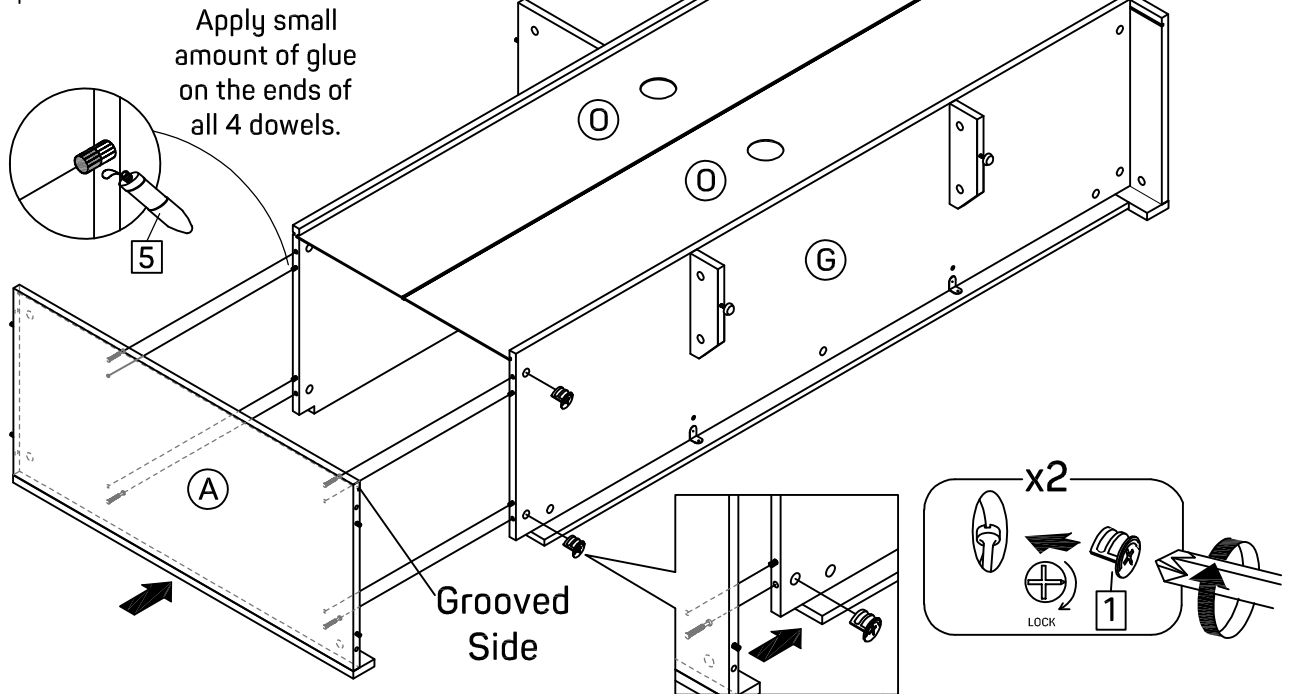
- ⑩ 56.7" PVC H
1pc

Note: Make sure panel O is fully inserted into the groove on panels G, H and B.



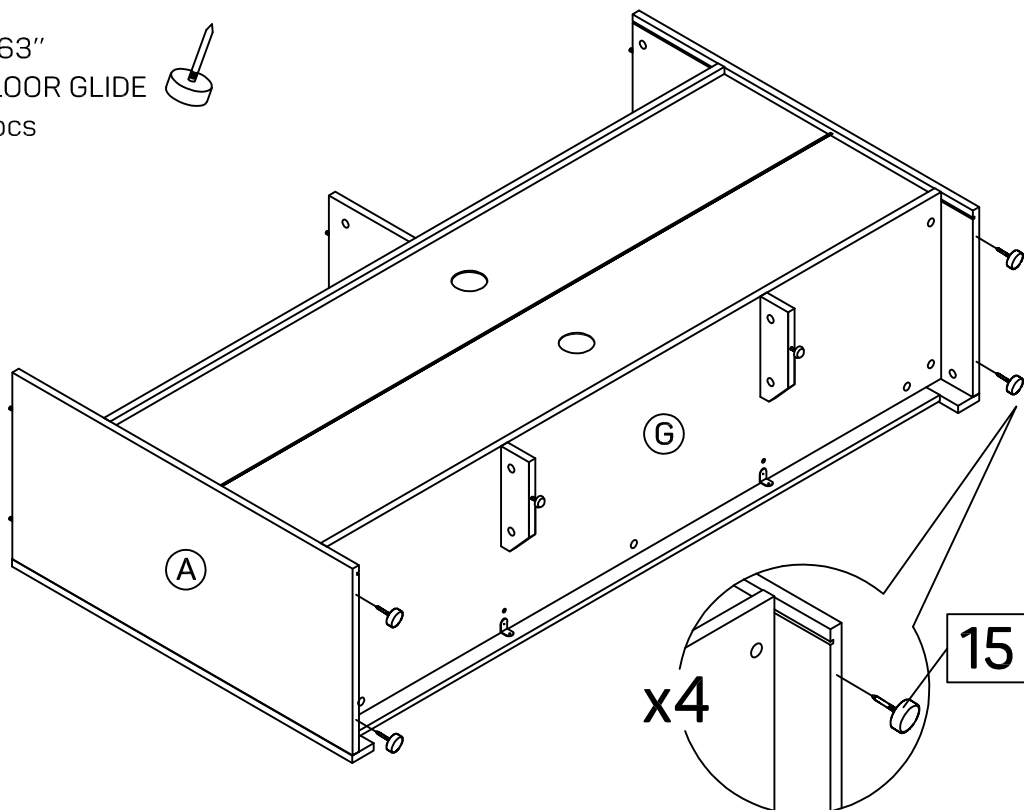
STEP 27

- ① 0.47"
FEMALE CAMLOCK 2pcs



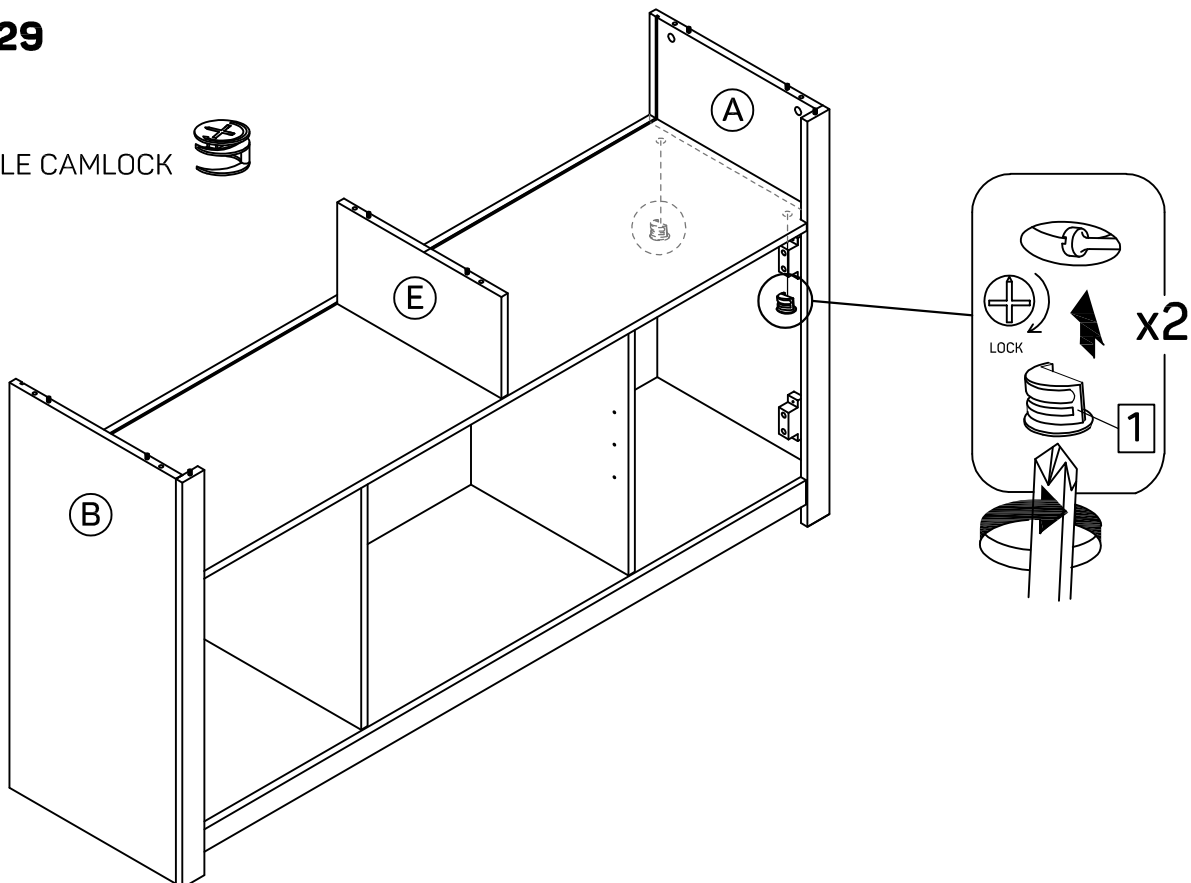
STEP 28

- ⑮ 0.63"
FLOOR GLIDE 4pcs

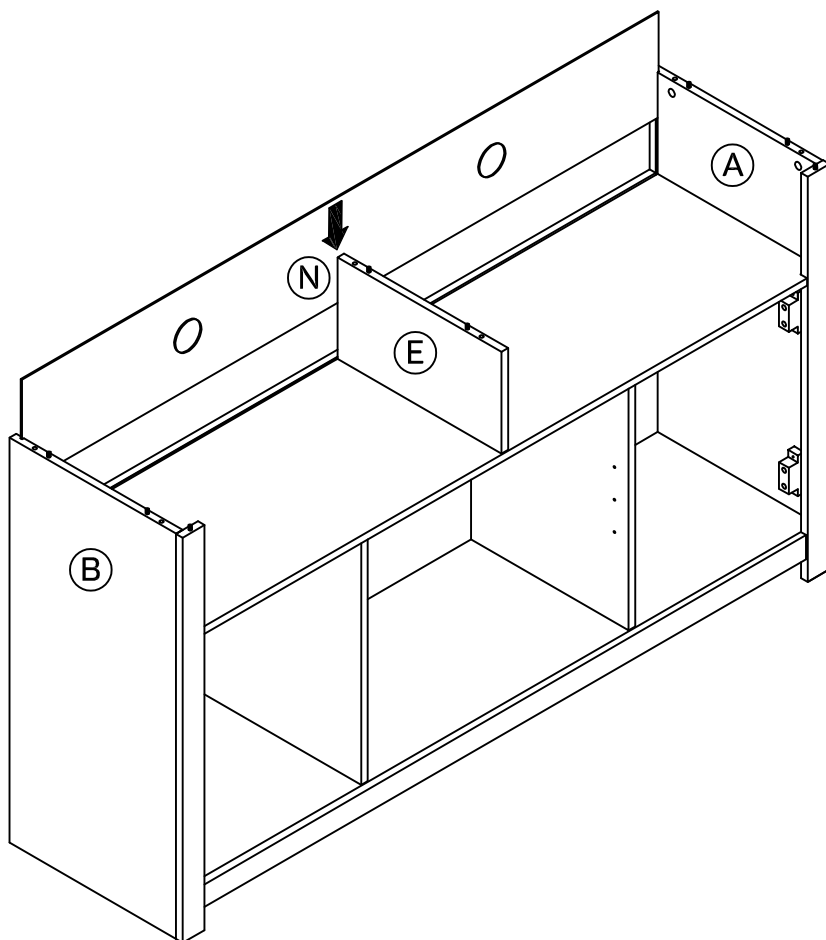


STEP 29

- 1 0.47"
FEMALE CAMLOCK 
2pcs

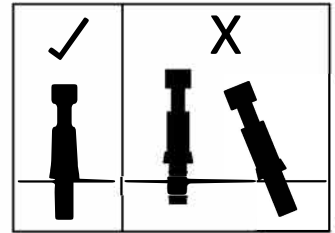
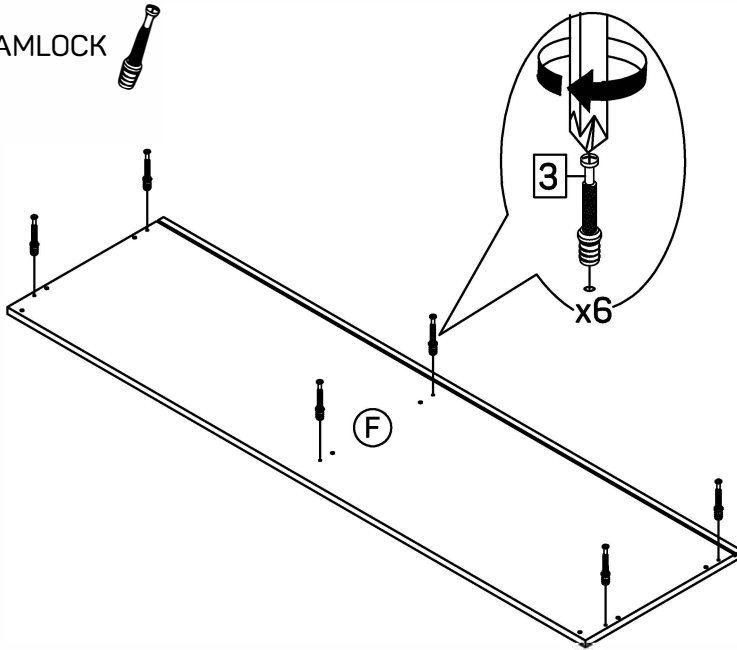


STEP 30



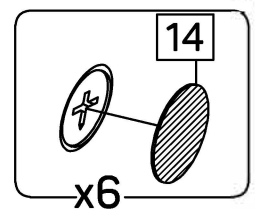
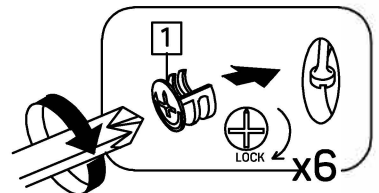
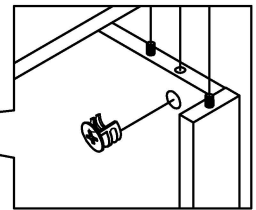
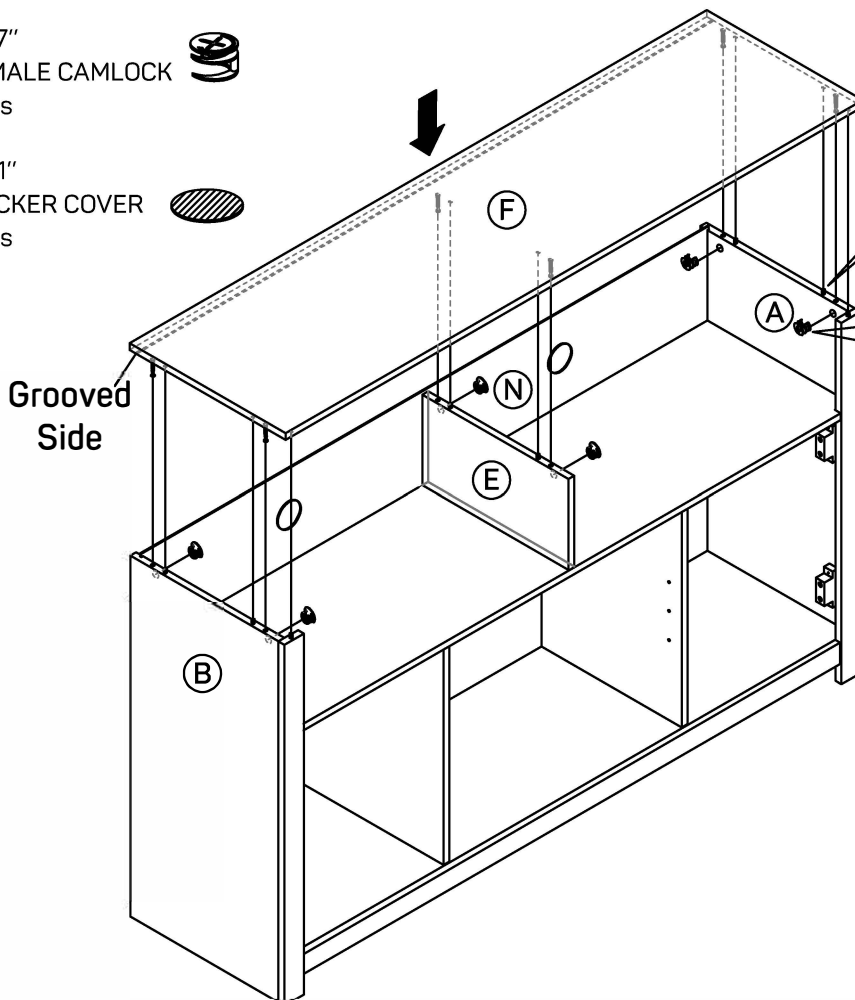
STEP 31

- ③ 1.26" MALE CAMLOCK
6pcs



STEP 32

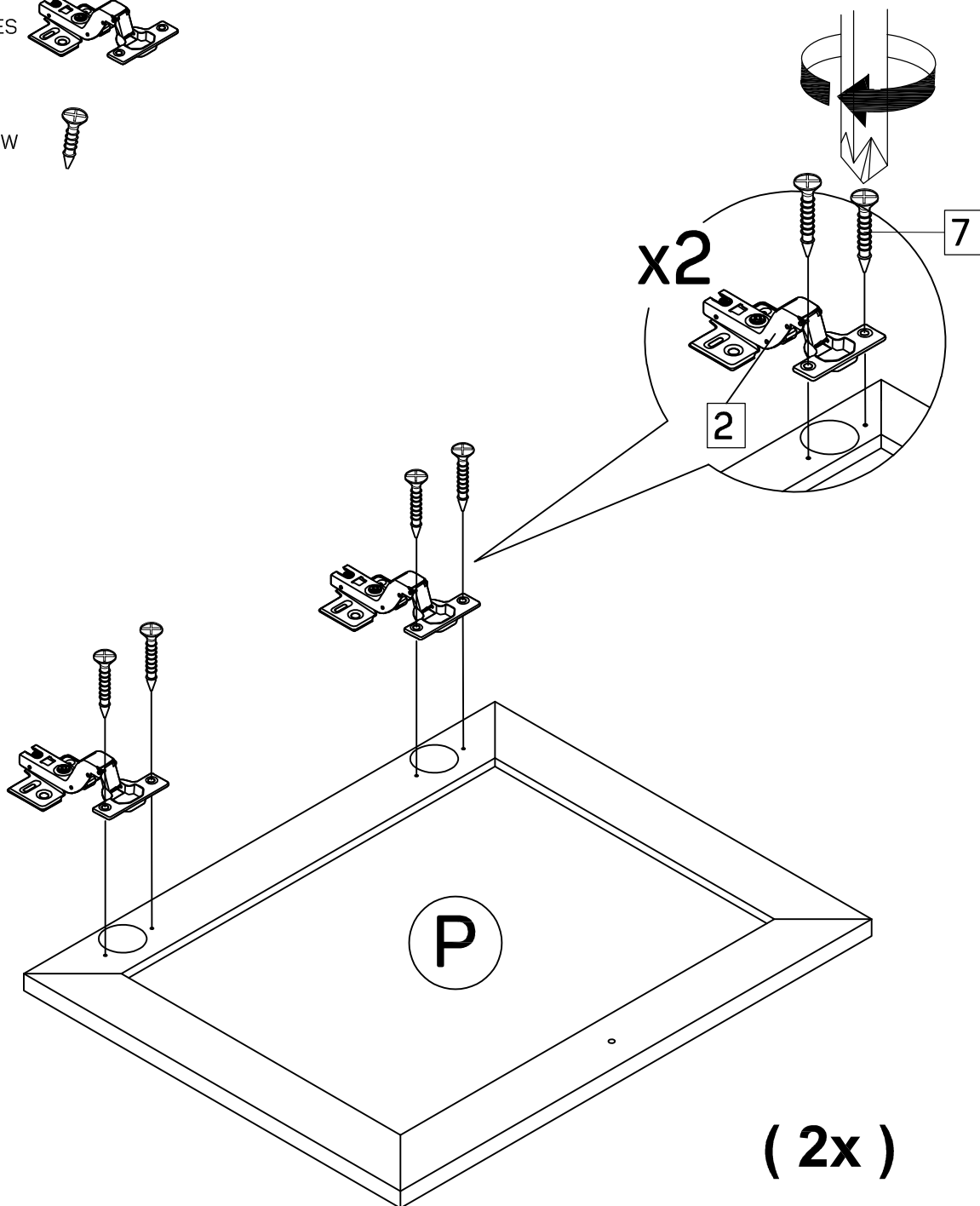
- ① 0.47" FEMALE CAMLOCK
6pcs
- ⑭ 0.91" STICKER COVER
6pcs




STEP 33

② 7/8
HINGES
4pcs

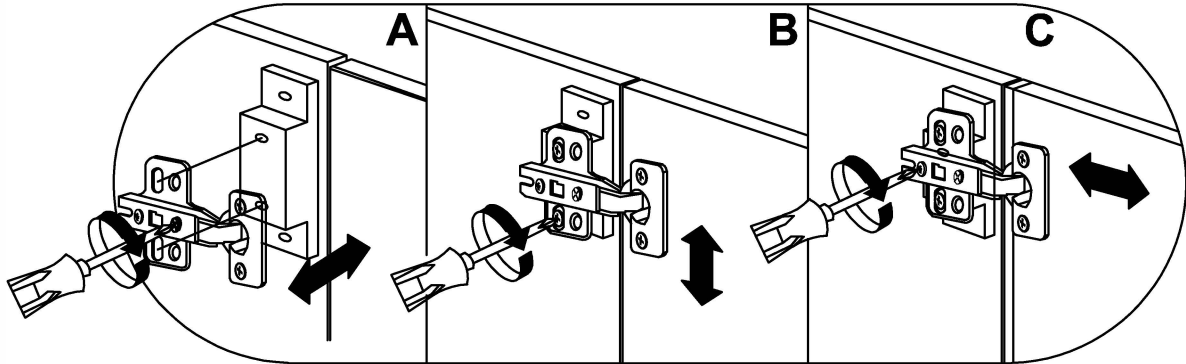
⑦ 0.63"
SCREW
8pcs



STEP 34

7 0.63" SCREW
8 pcs 

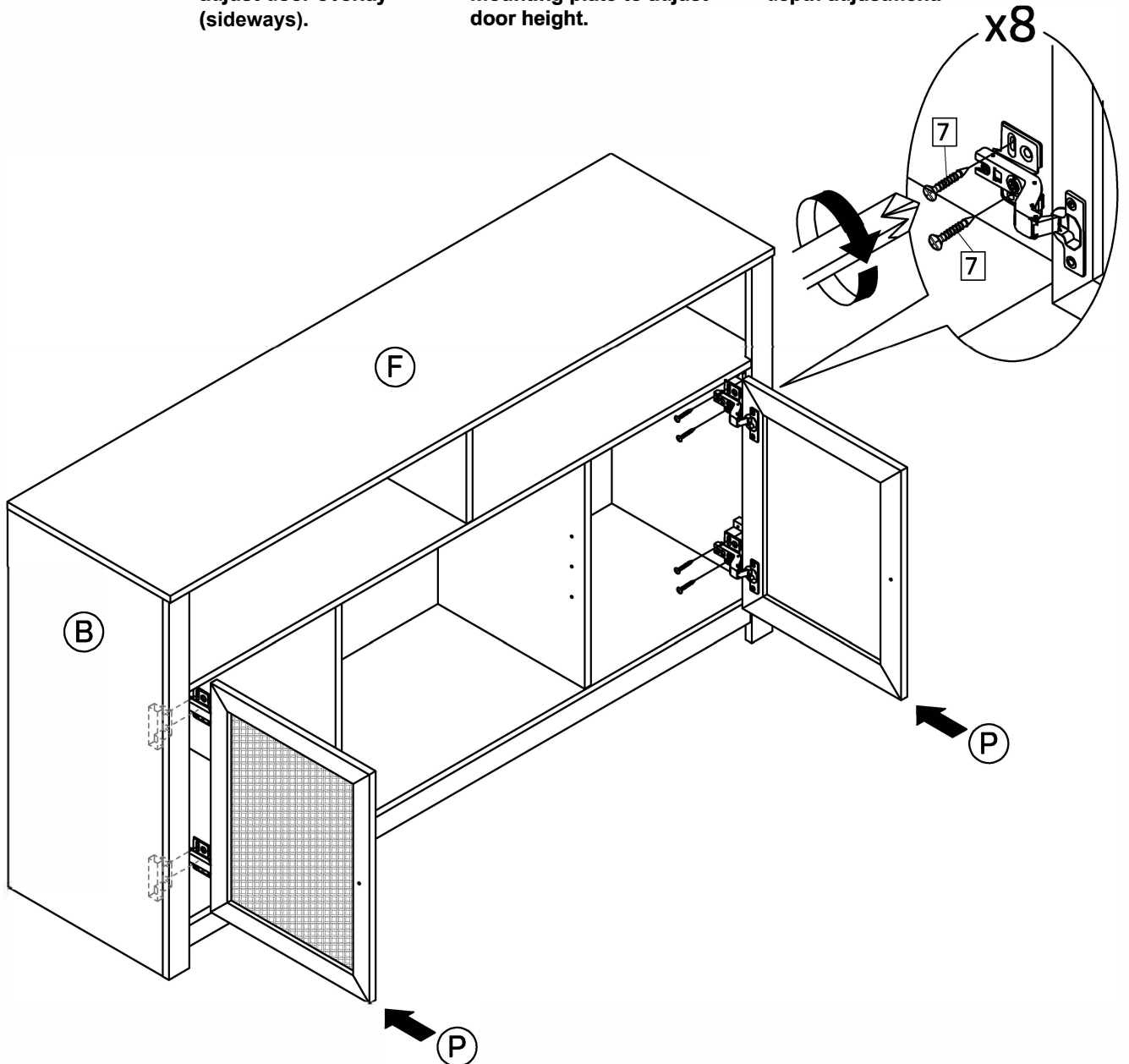
Hinge Adjustment



A. Turn front screw to adjust door overlay (sideways).

B. Rotate cam screw on mounting plate to adjust door height.

C. Turn rear screw for door depth adjustment.

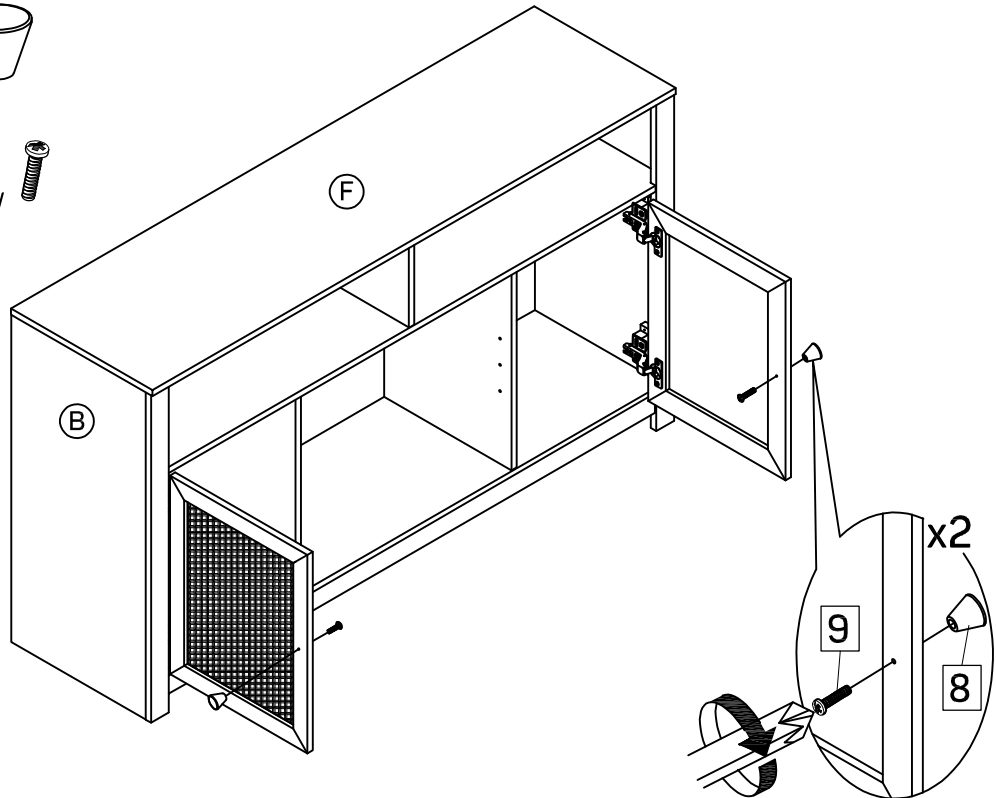


STEP 35

⑧ METAL KNOB
2pcs

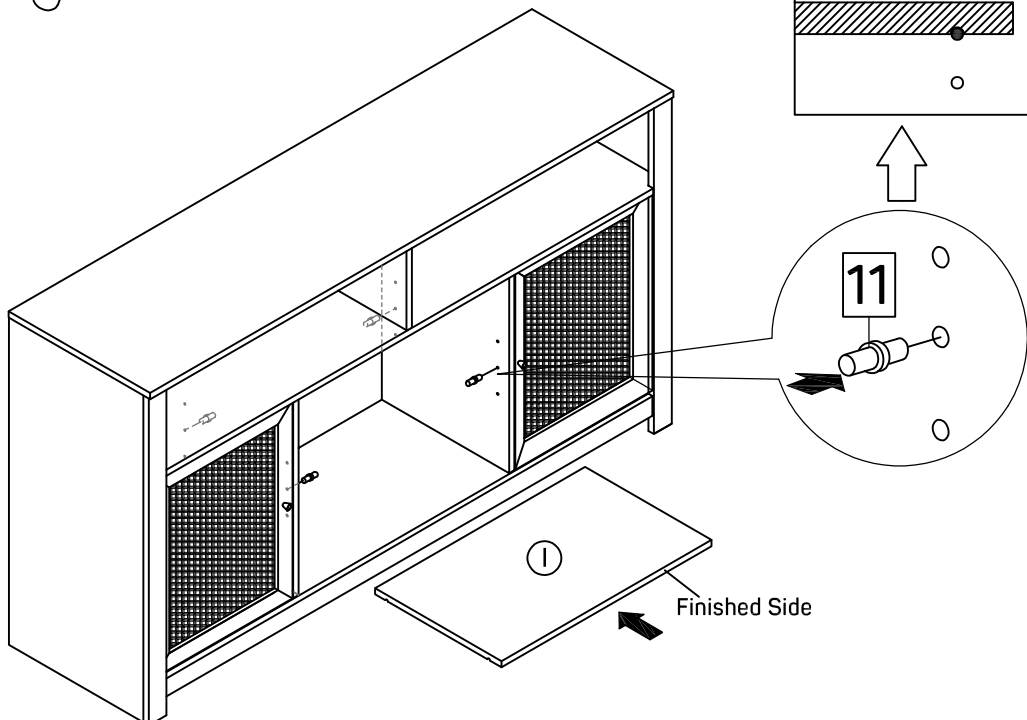


⑨ 0.75"
MACHINE SCREW
2pcs



STEP 36

⑪ SHELF PIN
4pcs

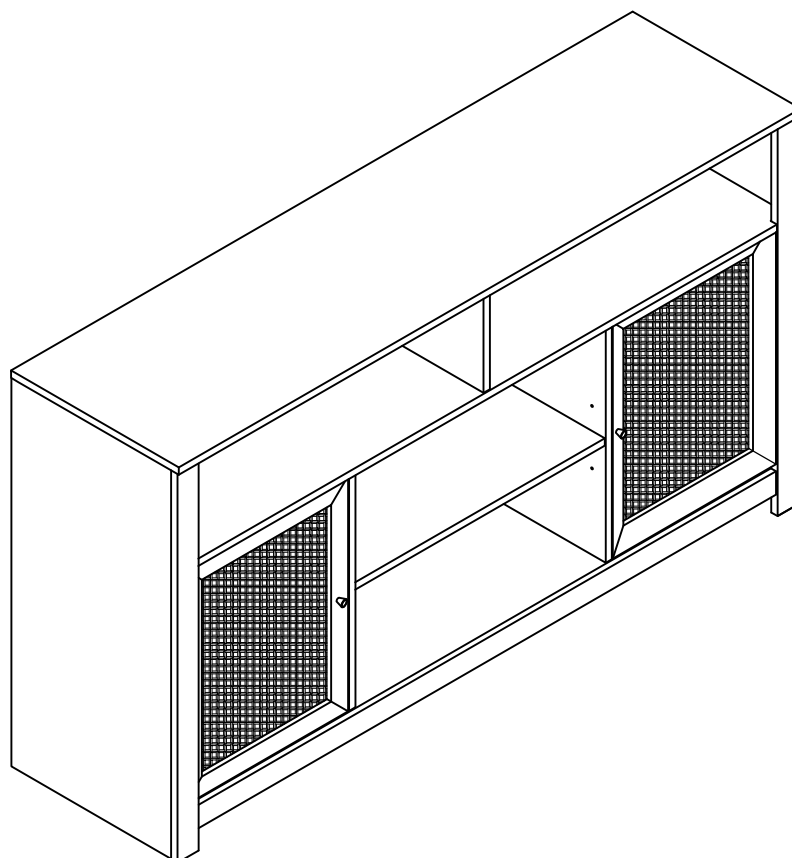
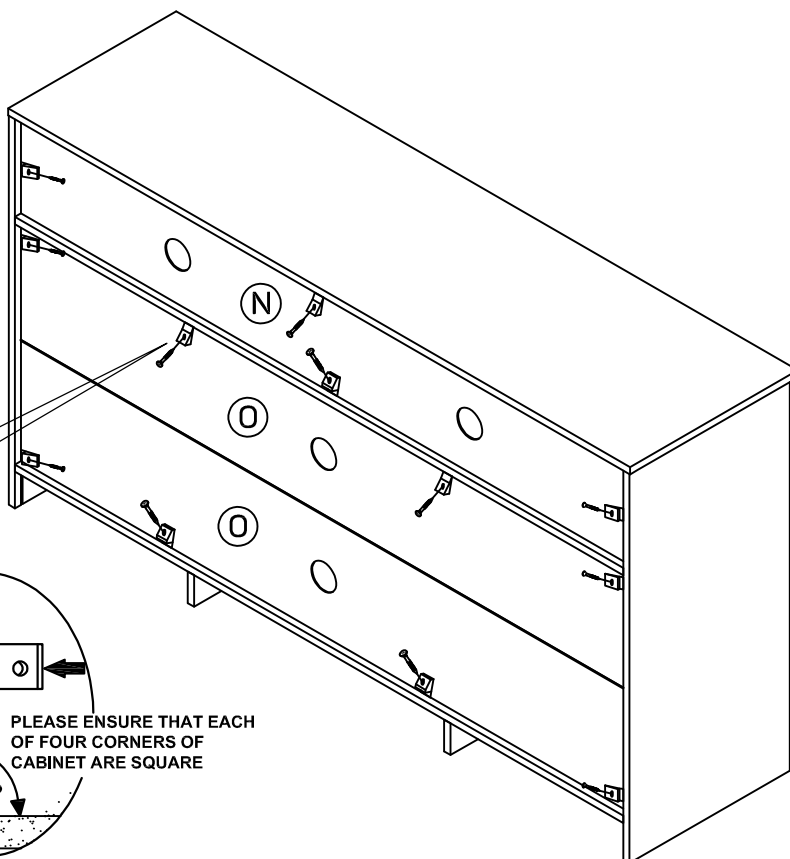
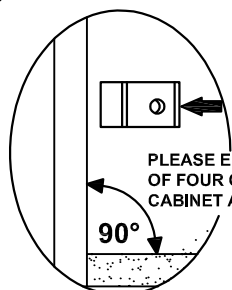
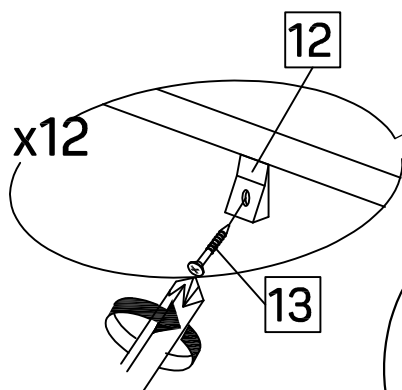


STEP 37

⑫ PLASTIC WEDGE
12pcs



⑬ 0.79"
CSK CHIPBOARD SCREW
12pcs



Quality and Safety Guidelines:

- Please follow the static and dynamic weight capacity limits provided on this item. If you are unsure of the weight capacities for this product, email us at customerexperience@theubiquegroup.com or call 866-552-2810.
- Please use this item on a stable, level surface only. All table legs should contact the flooring surface when in use. Do not use this item if any instability is detected.
- Please secure this item to the wall using anti-tipping straps.
- For maintenance instructions and replacement parts, please email us at customerexperience@theubiquegroup.com or call 866-552-2810.
- This item is intended as a table only, do not climb, stand or sit on this item.
- Intended for indoor use only.
- For product longevity, product safety and product integrity, use this item only indoors and store indoors in a dry location. For additional storage instructions, please email us at customerexperience@theubiquegroup.com or call 866-552-2810.
- Please visit www.theubiquegroup.com for our product warranty details or email us at customerexperience@theubiquegroup.com or call 866-552-2810.
- Do not pull, push or slide this item when moving it. Team lift when repositioning.
- Please review and retain all warnings, instructions and guidelines for future reference.
- Please inspect this product regularly to make sure there are no damaged or worn parts. Also inspect to make sure all hardware is tightened correctly and securely. For inspection instructions, please email us at customerexperience@theubiquegroup.com or call 866-552-2810.
- If any parts are damaged or worn, please stop using the product. Repair this product with manufacturer supplied parts only.