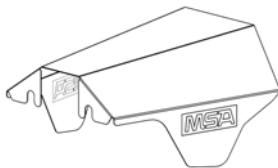


Ultima® X5000 / S5000 Sunshield Kit User Instructions

MSA Kit 10180254 - Ultima X5000 316 Stainless Steel Parts List / Instructions



Sunshield (1)



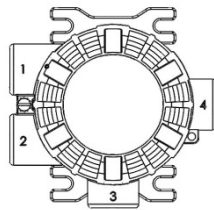
Pan Head Screw, 3/4" Long (2)



Washer (2)



1/2" Hex Flanged Nut (2)



Ultima X5000*

*Ultima X5000 sold separately

The sunshield can be used with the following Ultima X5000 mounting configurations:

1. Ultima X5000 Mounting Bracket
2. 20-150 mm Pipe Mount
3. Wall Mount

1. Ultima X5000 Mounting Bracket Sunshield Installation

- (1) Align the mounting tabs of the Ultima X5000 with the holes on the mounting bracket.
- (2) Loosely install the two $\frac{3}{4}$ " pan head screws, washers, and locknuts provided in the sunshield kit on the top mounting tabs (where the sunshield will be attached) as shown below in Figure 1.

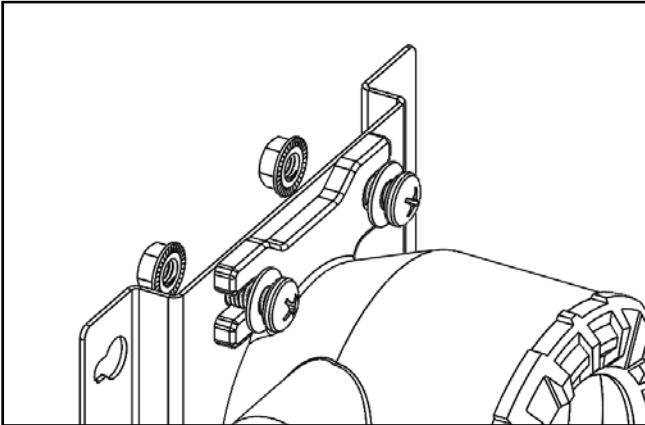


Figure 1

- (3) Use the hardware provided in the Ultima X5000 mounting bracket kit (reference MSA kit 10179361) to secure the bottom mounting tabs.
- (4) Slide the sunshield down over the screws and tighten the screws as shown below in Figures 2-3.

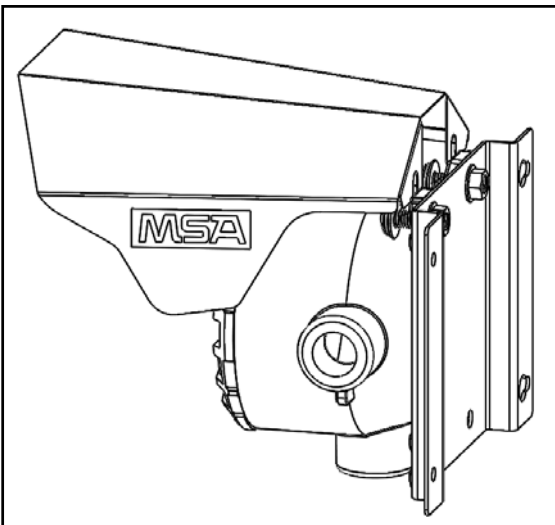


Figure 2

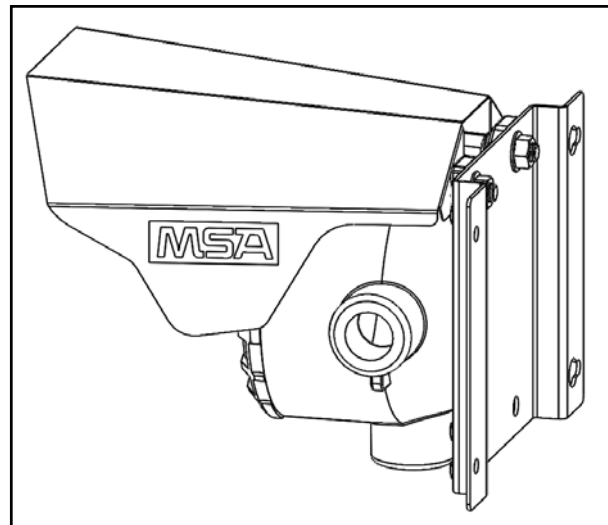


Figure 3

- (5) Verify that the sunshield is securely attached to the Ultima X5000 and not making contact with the Ultima X5000 anywhere other than the mounting tabs.

2. Ultima X5000 20-150 mm Pipe Mount Sunshield Installation

- (1) Slide the pipe mount bracket onto the Ultima X5000 as outlined in the pipe mount instructions section (refer to PN 10180895).
- (2) Once aligned, loosely install the top two 3/4" pan head screws and 1/2" hex flanged nuts provided with the pipe mount kit (reference MSA Kit 10176946) on the top pipe mount bracket tabs as shown below in Figure 4.

Note: Install the screws so that the pan head is oriented as shown in Figure 4.

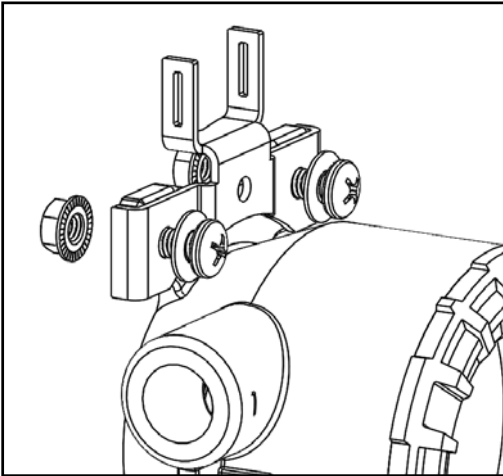


Figure 4

- (3) Slide the sunshield down over the screws and tighten the screws as shown below in Figures 5-6.

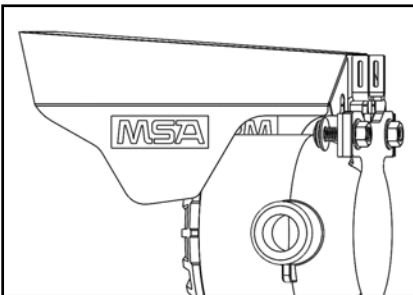


Figure 5

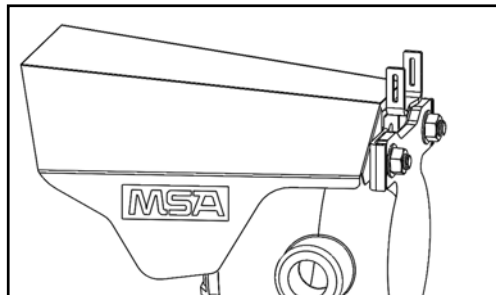


Figure 6

- (4) Verify that the sunshield is securely attached to the pipe mount bracket and that it is not making direct contact with the Ultima X5000.
- (5) **Follow the pipe mount instructions for the rest of the pipe mount installation process (reference PN 10180895).**

3. Ultima X5000 Wall Mount Sunshield Installation

- (1) Use the sunshield holes as a guide to mark the mounting hole locations. Drill the holes and loosely attach the Ultima X5000 to the wall using appropriate screws or bolts (not provided).
- (2) Once the screws are partially mounted in the wall, slide the sunshield down over the screws and complete the screw installation.

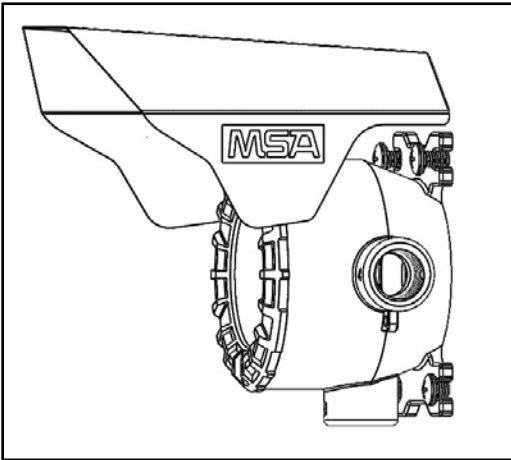


Figure 7

- (3) Verify that the sunshield is securely attached to the Ultima X5000 and not making contact with the Ultima X5000 anywhere other than the mounting tabs.

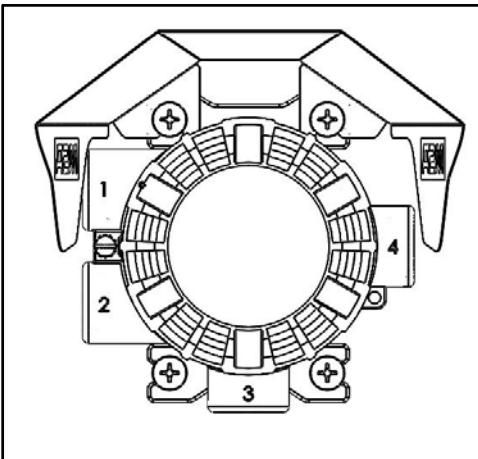
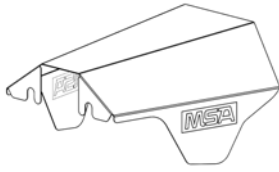
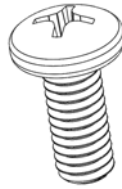


Figure 8

MSA Kit 10180254 - S5000 316 Stainless Steel Parts List/Instructions



Sunshield (1)



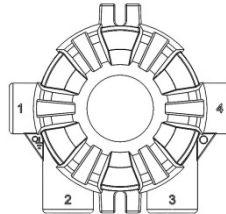
Pan Head Screw, 1/2" Long (2)



Washer (2)



1/2" Hex Flanged Nut (2)



S5000*

*S5000 sold separately

The sunshield can be used with the following S5000 mounting configurations:

1. Wall Mount
2. 20-150 mm Pipe Mount

1. S5000 Wall Mount Sunshield Installation

- (1) Attach the S5000 to the wall via the two mountings tabs.
- (2) Once attached, mark the hole locations needed for sunshield attachment by placing the sunshield approximately 0.35" above the top mounting tab surface, as shown below in Figure 9.

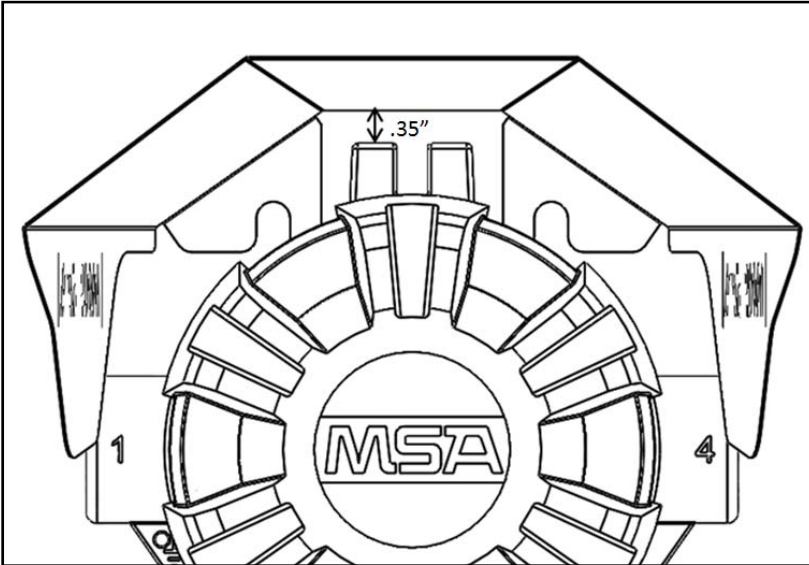


Figure 9

- (3) Once the screws are partially mounted in the wall, slide the sunshield down over the screws and complete screw installation.
- (4) Check to make sure the sunshield is securely attached to the wall and that it is not making contact with the S5000.
The clearance between the sunshield and ports should be similar to what is shown below in Figure 10.

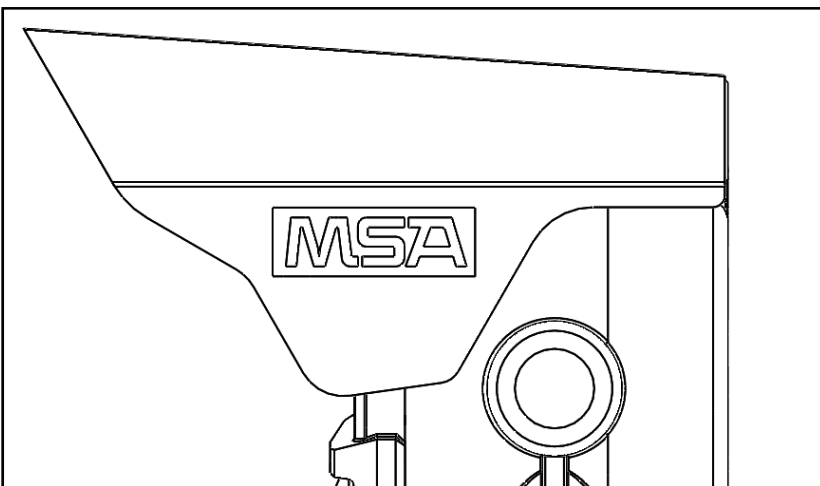


Figure 10

2. S5000 20-150 mm Pipe Mount Sunshield Installation

- (1) Attach the pipe mount to the S5000 as outlined in the pipe mount instructions section (reference PN 10180895).
- (2) Once attached, loosely install the two 1/2" Phillips pan head screws and locknuts given in the sunshield kit on the top pipe mount tabs (where the sunshield will be attached) as shown below in Figure 11.

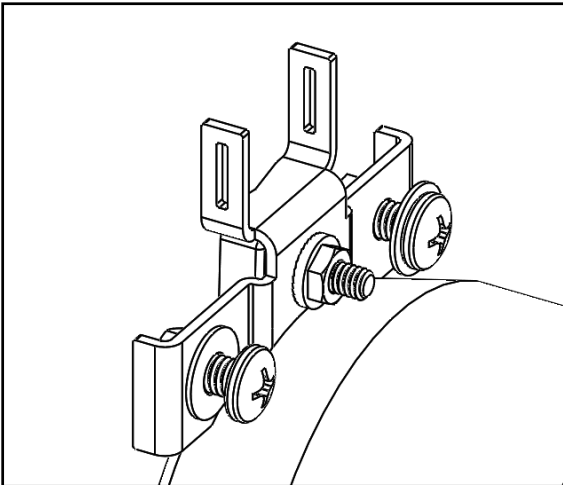


Figure 11

- (3) Slide the sunshield down over the screws and tighten the screws as shown below in Figures 12-13.

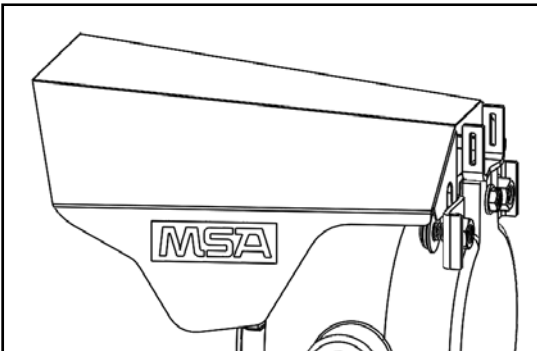


Figure 12

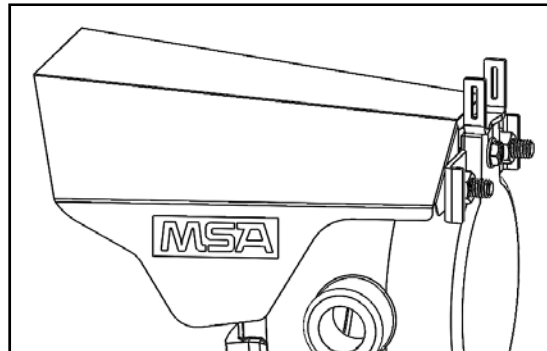


Figure 13

- (4) Check to make sure the sunshield is securely attached to the pipe mount and that it is not making contact with the S5000 anywhere.
- (5) **Follow the pipe mount instructions for the rest of the pipe mount installation process (PN 10180895).**