



Manufactured by:  
Backyard Discovery  
3305 Airport Drive, Pittsburg, KS 66762  
800-856-4445

Basepoint Business Centre: Rivermead Drive, Westlea, Swindon SN5 7EX Phone: 0800-118-2476 J.P. Coenstraat 7, The Bridge, The Hague, 2595 WP, Netherlands Phone: 08005678990

# 20x12 NORWOOD MOSQUITO MESH KIT MODEL # : 9230224



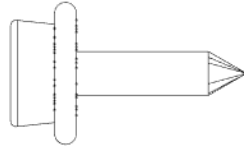
Please visit [www.backyarddiscovery.com](http://www.backyarddiscovery.com)  
For the most up to date assembly manual, to register your product, or to order  
replacement parts *Para obtener instrucciones en español, visite*  
[www.backyarddiscovery.com](http://www.backyarddiscovery.com)

# OWNER'S MANUAL - PARTS IDENTIFICATION

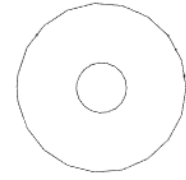
## HARDWARE COMPONENTS (NOT TO SCALE)



H100392 SCREW PWH BLK  
(x256) 8x3/4"

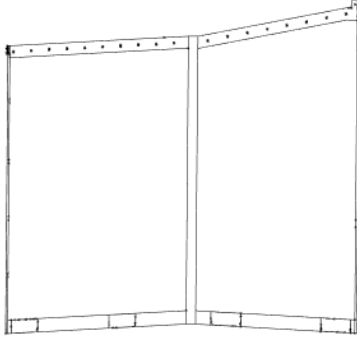


H100254 PHILLIPS HEAD SNAP SCREW  
(x4) 8-18x5/8"

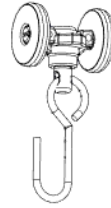


H100478 WASHER BLK  
(x12) 8x27

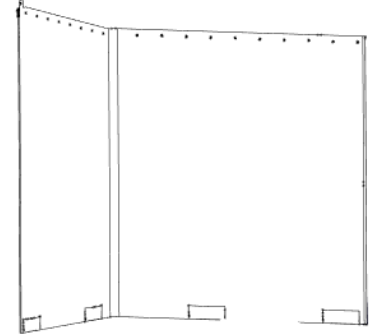
## ACCESSORY COMPONENTS (NOT TO SCALE)



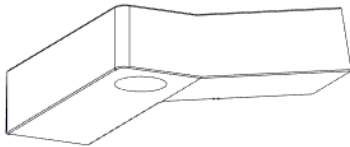
A6P00738 20x12 MESH PANEL  
(x2)



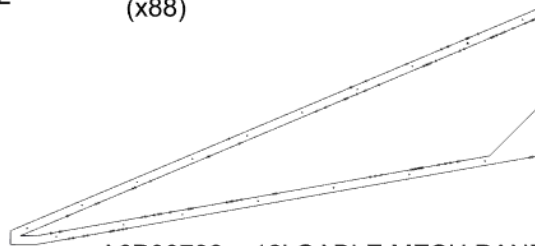
A6P00535 MESH PANEL HOOK  
(x88)



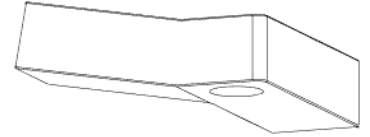
A6P00739 20X12 MESH PANEL  
(x2)



A6P00800 CORNER CAP  
(x2)



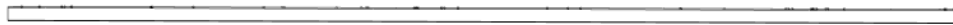
A6P00733 12' GABLE MESH PANEL  
(x4)



A6P00801 CORNER CAP  
(x2)



A6P00997 20X12 SOFFIT MESH PANEL  
(x2)



A6P00719 MESH PANEL TRACK  
(x4)



A6P00811 MESH PANEL TRACK  
(x6)



A6P00752 MESH PANEL TIE  
(x4)

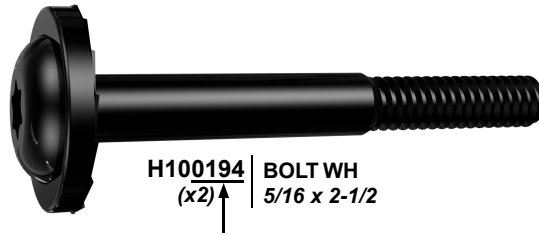
# PRE-ASSEMBLY STEP 1 - SORTING PARTS

It is critical for ease of assembly that you take the time to sort and organize the parts and hardware.

---

## HARDWARE PARTS:

- We recommend that you have a separate table to organize the hardware.
- Hardware bags are printed with a seven-digit, alpha-numeric part number.
- You can organize your hardware by part number or group by hardware type (i.e. bolts, nuts, etc.).
- During assembly you only need to reference the last four digits of the number.



## TOOLS REQUIRED:



Cordless Drill or  
Electric Drill



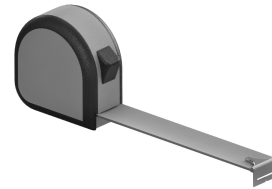
Drill Attachments:  
Phillips Head



1/8" & 3/8" Drill  
Bits

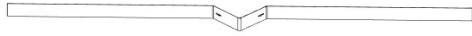


Phillips Screw Driver



Tape Measure

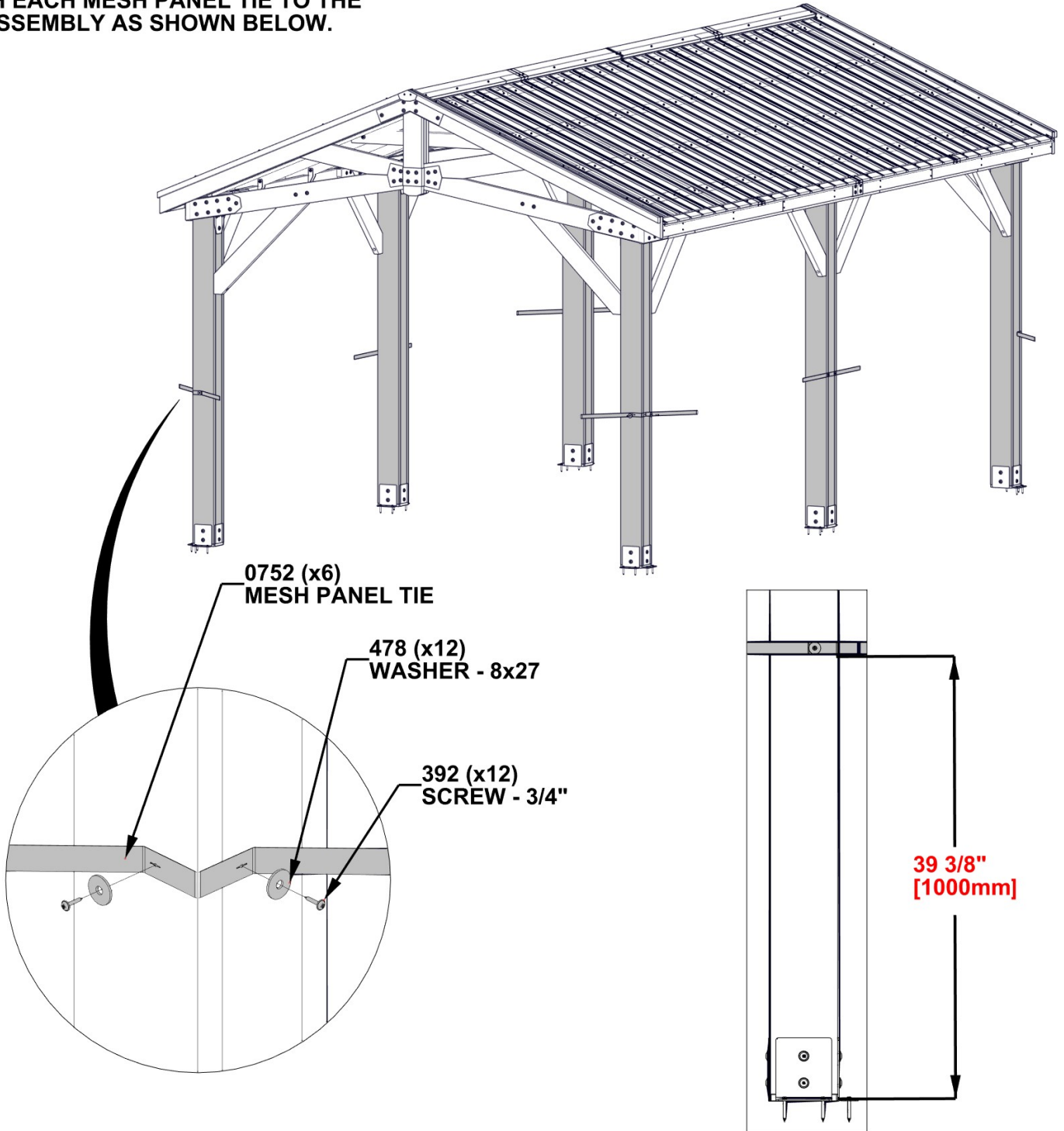
# STEP 1 - TIES



A6P00752 MESH PANEL TIE  
(x6)

Qty	PartNo	BOM DESCRIPTION
12	H100478	WASHER FLAT 8x27 BLK
12	H100392	SCREW PWH 8x3/4 BLK

- ATTACH EACH MESH PANEL TIE TO THE POST ASSEMBLY AS SHOWN BELOW.

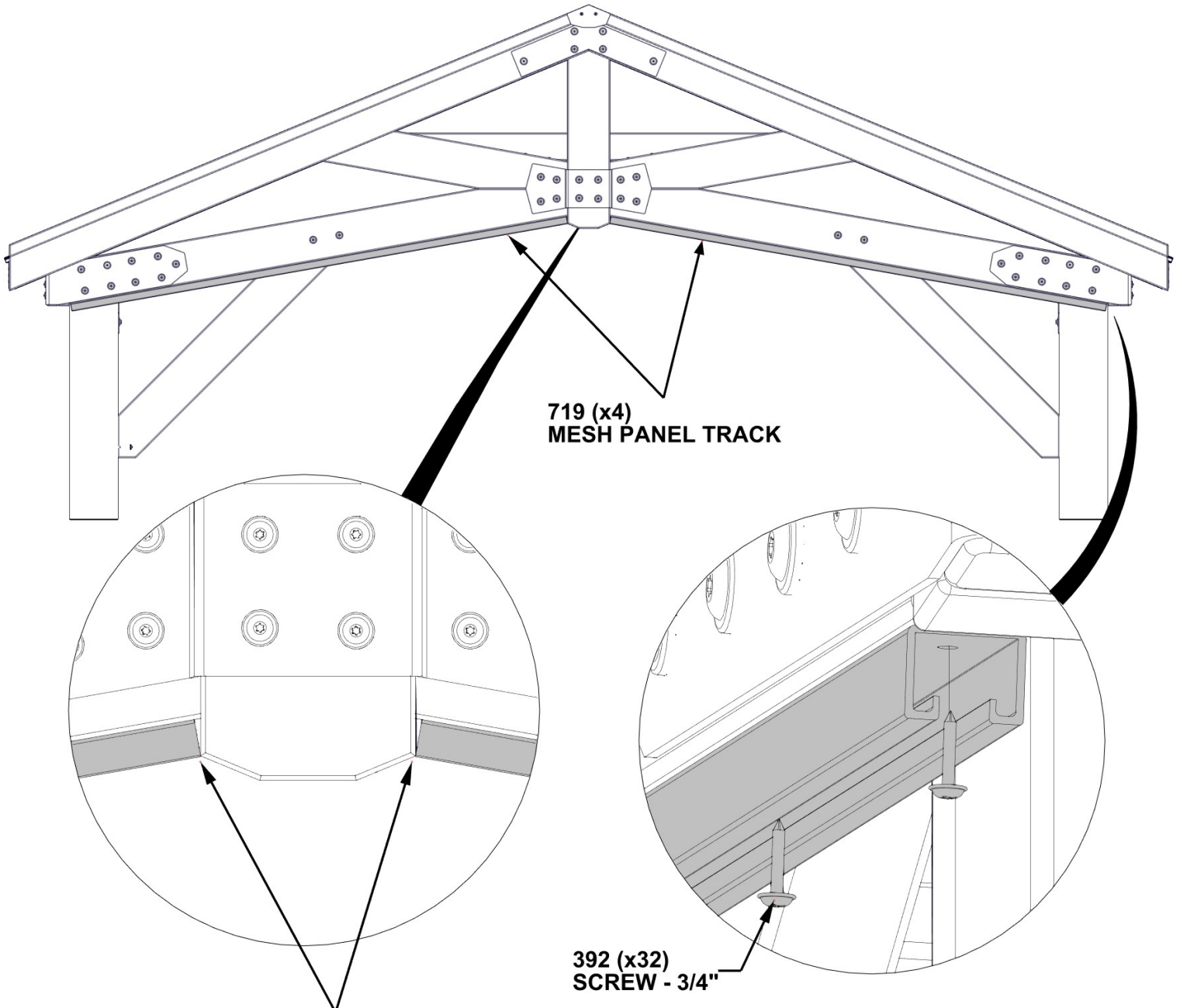


# STEP 2 - TRACK ATTACHMENT

Qty	PartNo	BOM DESCRIPTION
32	H100392	SCREW PWH 8x3/4 BLK

A6P00719 MESH PANEL TRACK  
(x4)

- ATTACH TRACK TO EACH GABLE  
END AS SHOWN BELOW.



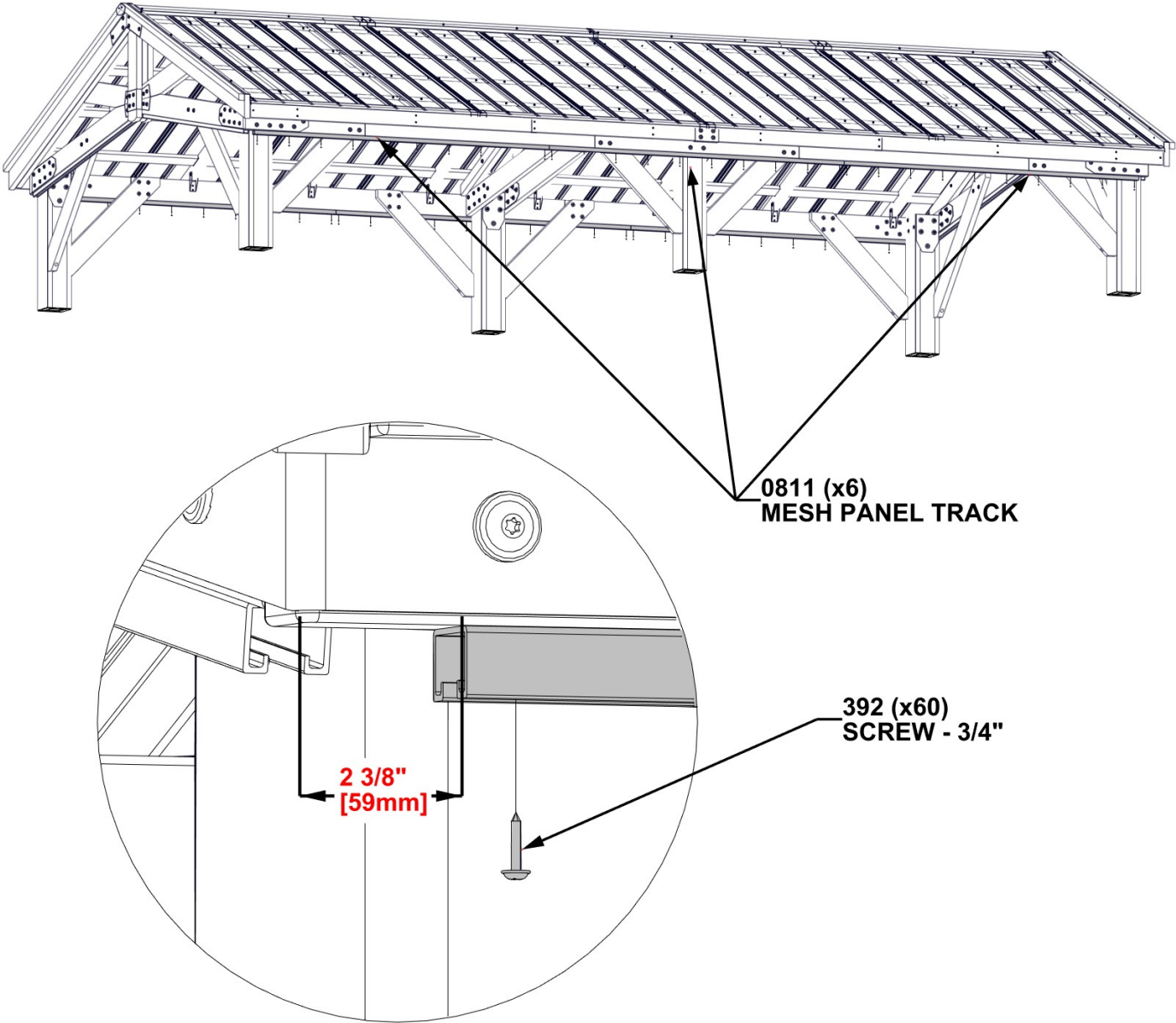
**PUSH BOTTOM EDGE OF TRACK  
AGAINST THE GABLE UPRIGHT**

# STEP 3 - TRACK ATTACHMENT

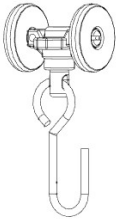
Qty	PartNo	BOM DESCRIPTION
60	H100392	SCREW PWH 8x3/4 BLK

A6P00811 MESH PANEL TRACK  
(x6)

- START AT ONE END OF THE LONG SIDE  
AND MEASURE 2 3/8" (59mm) FROM THE  
END OF THE BOARD ABOVE THE TRACK

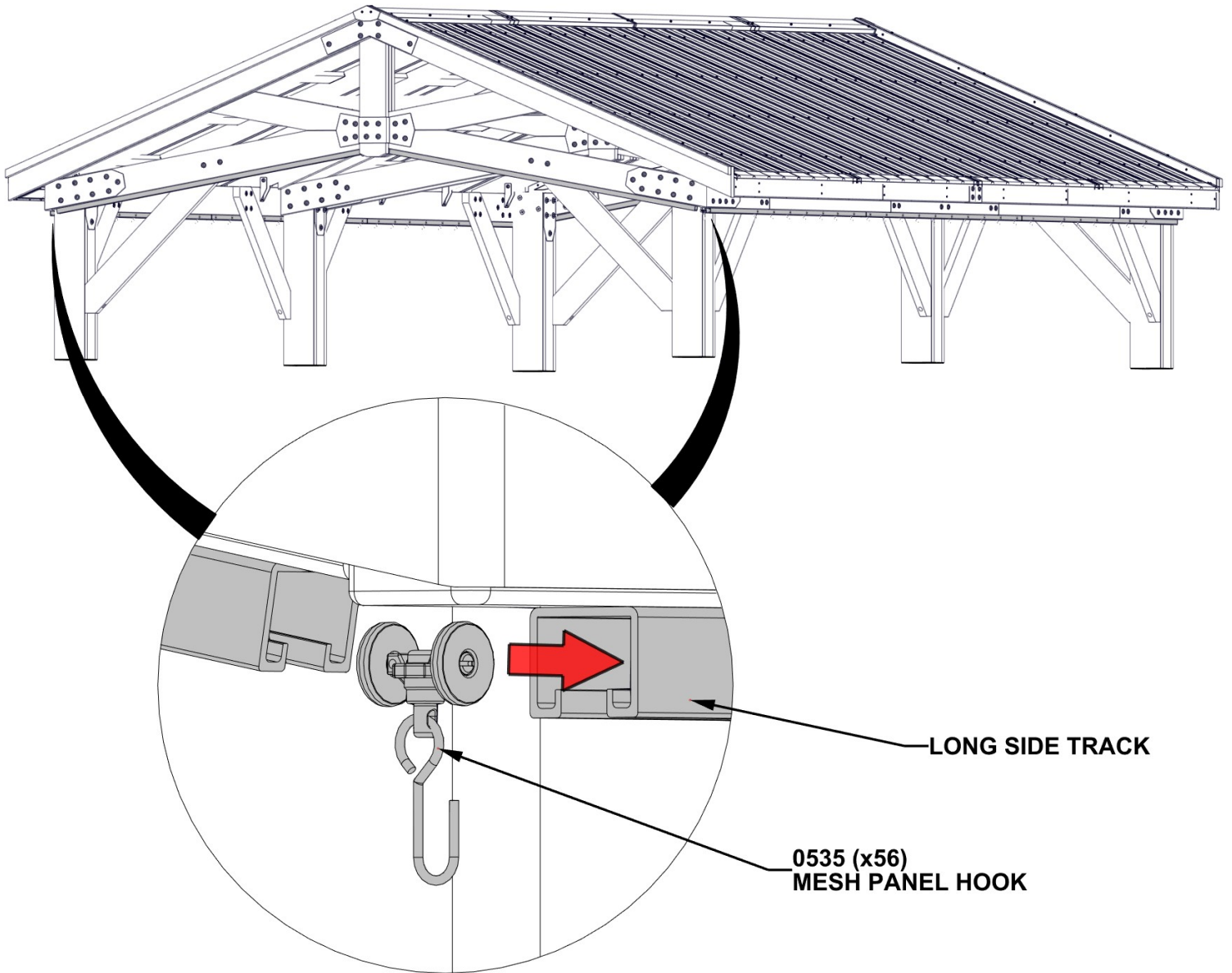


# STEP 4 - MESH PANEL HOOK INSTALLATION

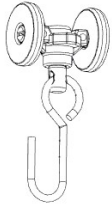


A6P00535 MESH PANEL HOOK  
(x56)

- INSERT 28 MESH PANEL HOOKS INTO EACH TRACK ON THE LONG SIDES OF THE GAZEBO.

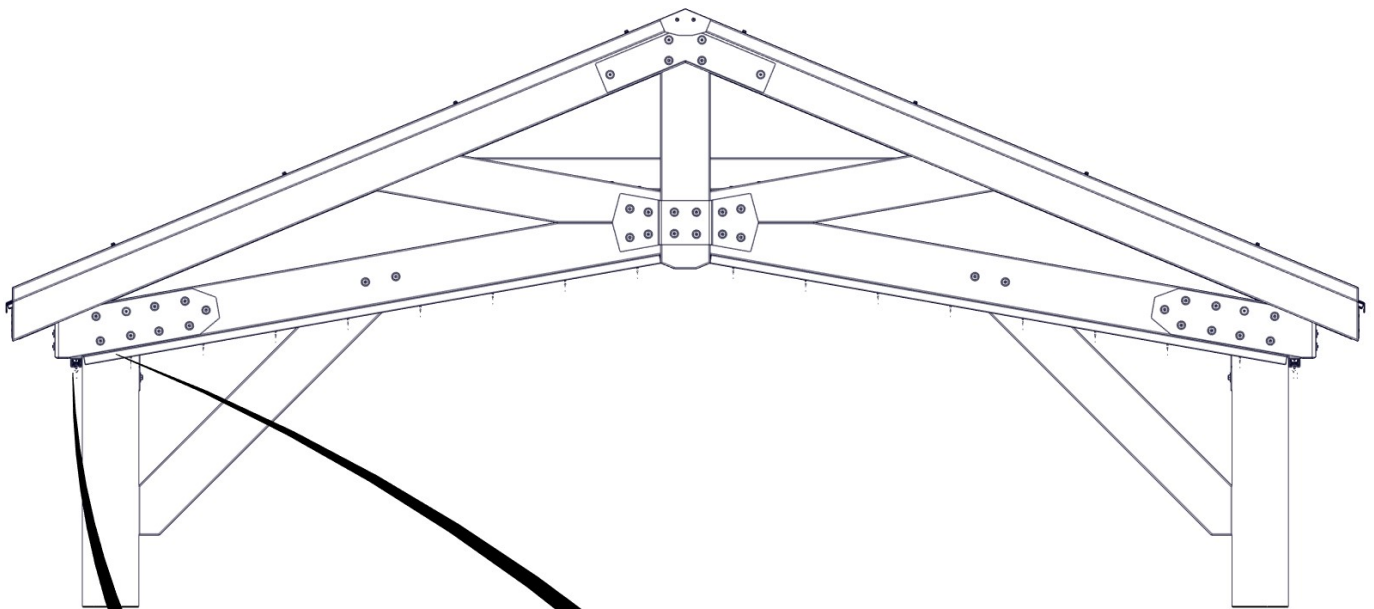


# STEP 5A - MESH PANEL HOOK INSTALLATION



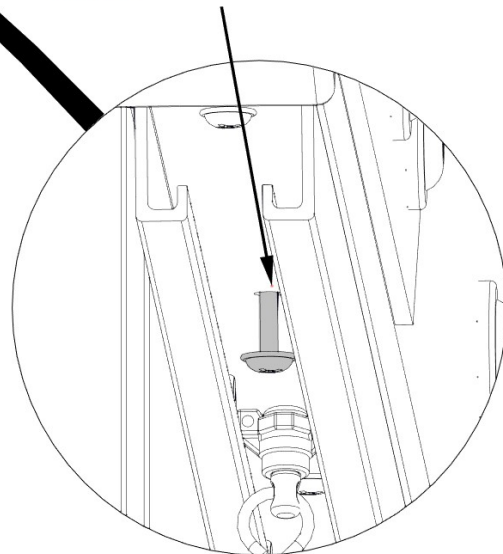
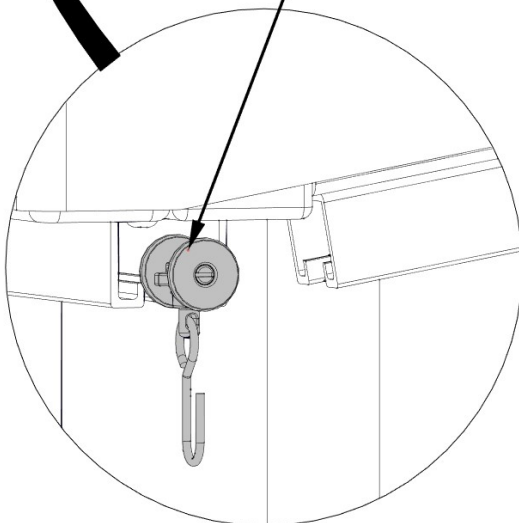
A6P00535 MESH PANEL HOOK  
(x32)

- INSERT 8 MESH PANEL HOOKS ON EACH SECTION OF TRACK ON THE GABLE ENDS OF THE GAZEBO
- ONCE THE HOOKS ARE INSERTED INTO THE TRACK, PARTIALLY LOOSEN THE SECOND SCREW FROM THE BOTTOM OF THE GABLE TRACK TO TEMPORARILY HOLD THE MESH PANEL HOOKS IN PLACE UNTIL CORNER CAPS ARE INSTALLED ON NEXT PAGE.



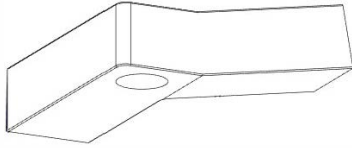
0535 (x32)  
MESH PANEL HOOK ASSEMBLY

**PARTIALLY LOOSEN SCREW TO  
TEMPORARILY HOLD HOOKS IN  
PLACE.**

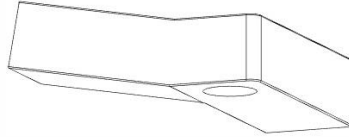


# STEP 5B - CORNER CAP INSTALLATION

Qty	PartNo	BOM DESCRIPTION
4	H100392	SCREW PWH 8x3/4 BLK

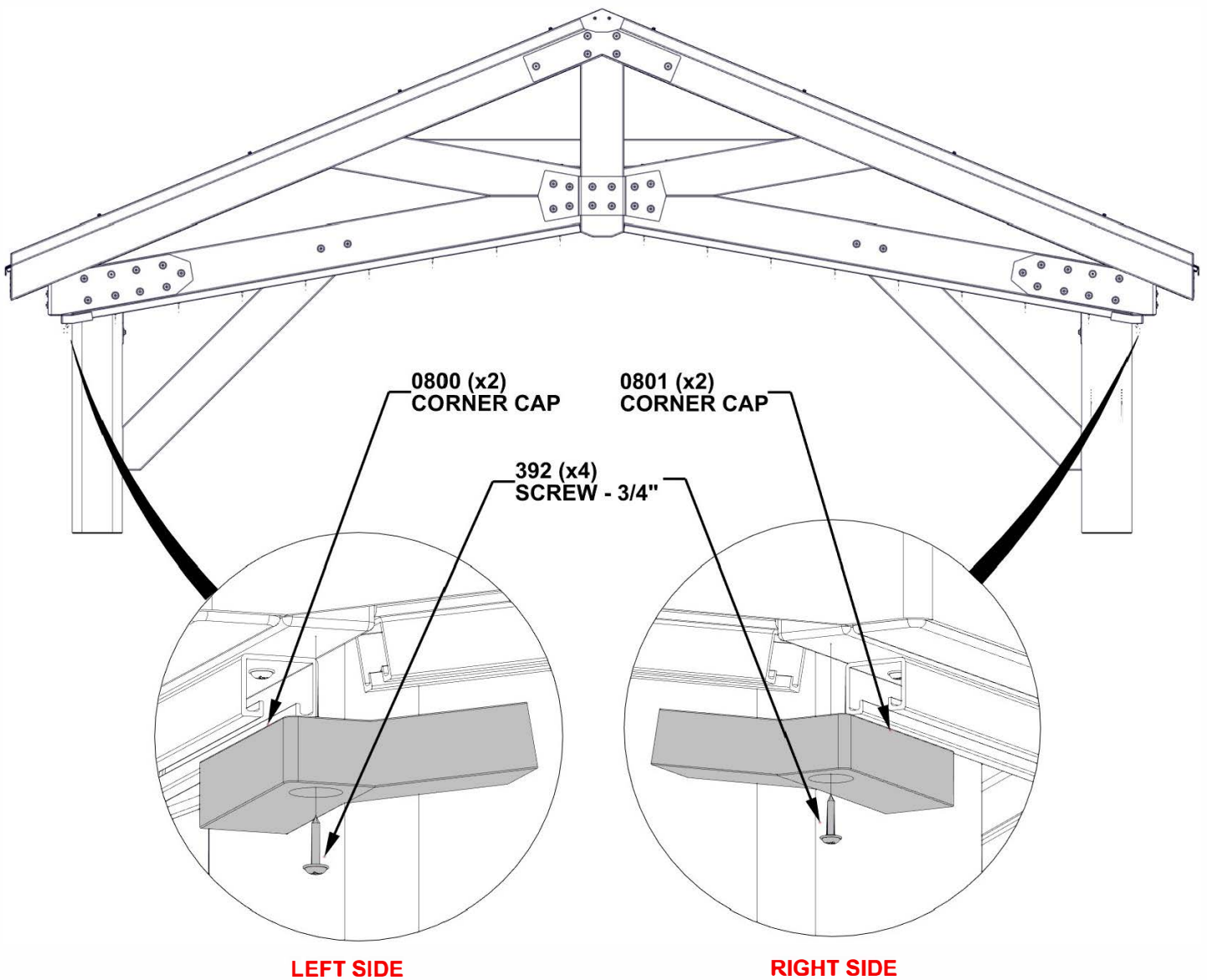


A6P00800 LEFT CORNER CAP  
(x2)



A6P00801 RIGHT CORNER CAP  
(x2)

- ATTACH THE CORNER CAPS INTO THEIR DESIGNATED LOCATIONS BY MATCHING THE SLANT.
- TIGHTEN THE SCREWS FROM THE PREVIOUS STEP THAT TEMPORARILY HELD THE HOOKS IN PLACE.



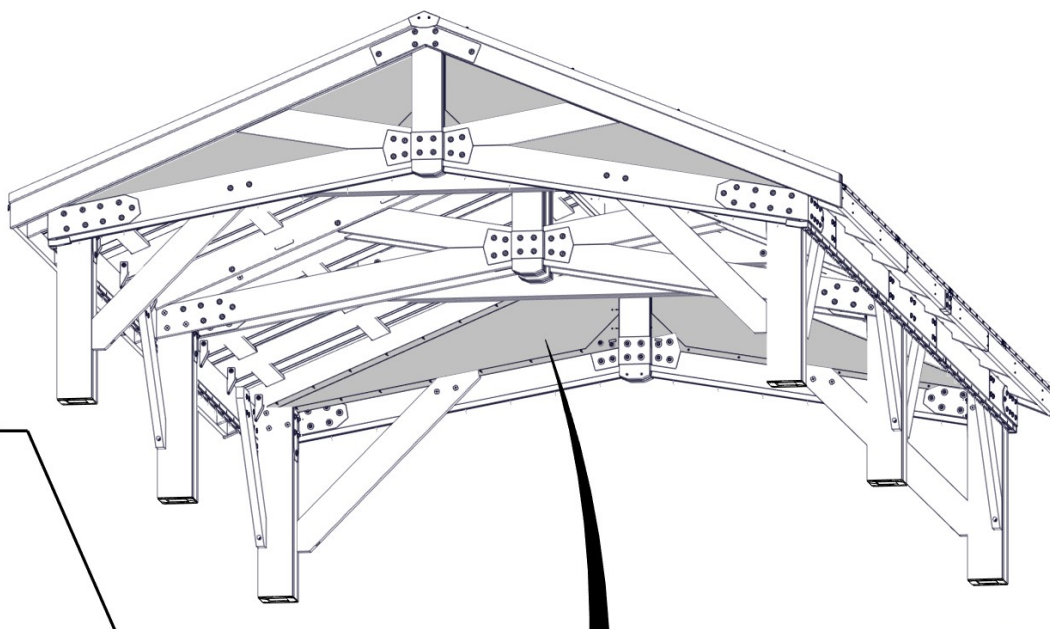
# STEP 6 - GABLE MESH ATTACHMENT

Qty	PartNo	BOM DESCRIPTION
88	H100392	SCREW PWH 8x3/4 BLK



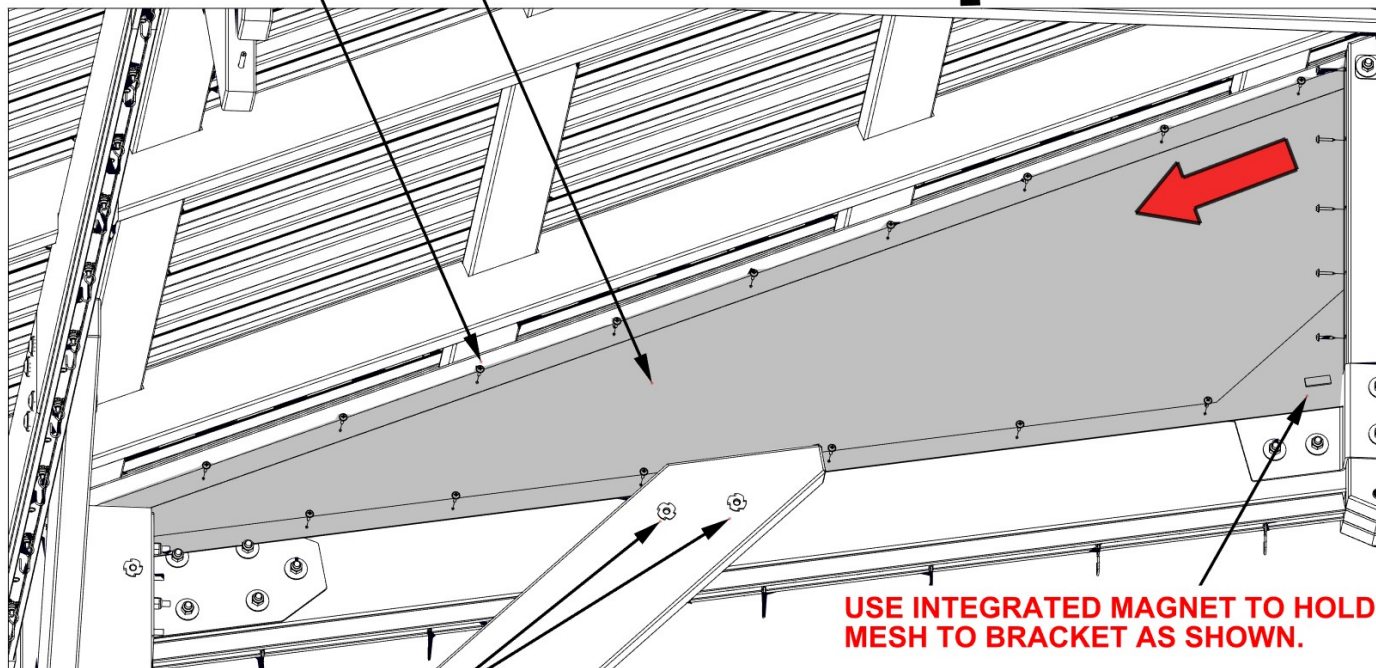
A6P00733 12' GABLE MESH PANEL  
(x4)

- ATTACH GABLE MESH PANEL BY ATTACHING THE STRUCTURE AT THE CENTER OF THE GABLE STRUCTURE FIRST. THEN WORK TOWARD THE BOTTOM CORNER OF THE GABLE.
- USE THESE STEPS FOR THE REMAINING 3 PANELS.



0733 (x4)  
12' GABLE MESH PANEL

392 (x88)  
SCREW - 3/4"



**LOOSEN HARDWARE TO ALLOW MESH TO FIT BETWEEN 2 BOARDS ON ALL SIDE.**

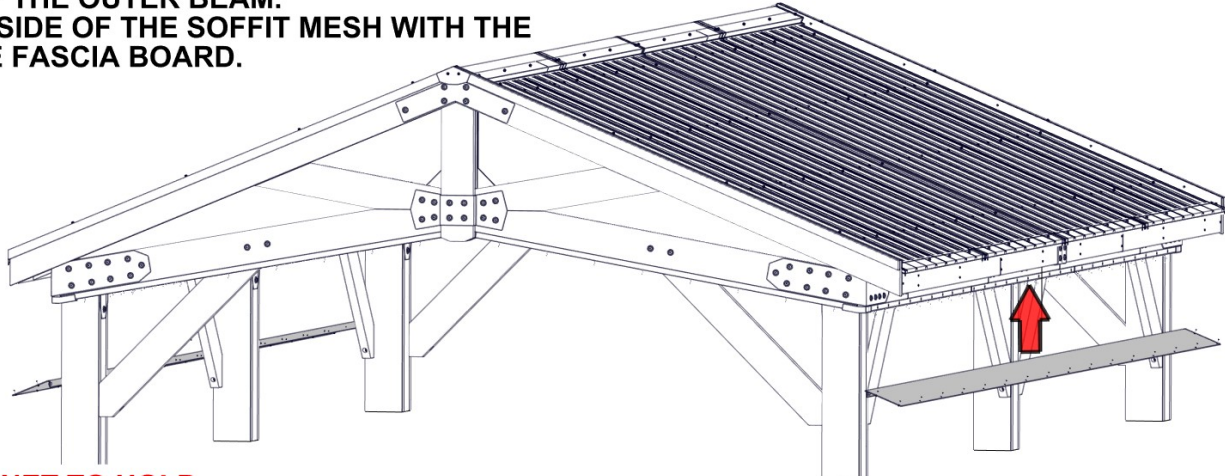
# STEP 7 - SOFFIT MESH ATTACHMENT

Qty	PartNo	BOM DESCRIPTION
60	H100392	SCREW PWH 8x3/4 BLK



A6P00997 20x12 SOFFIT MESH PANEL  
(x2)

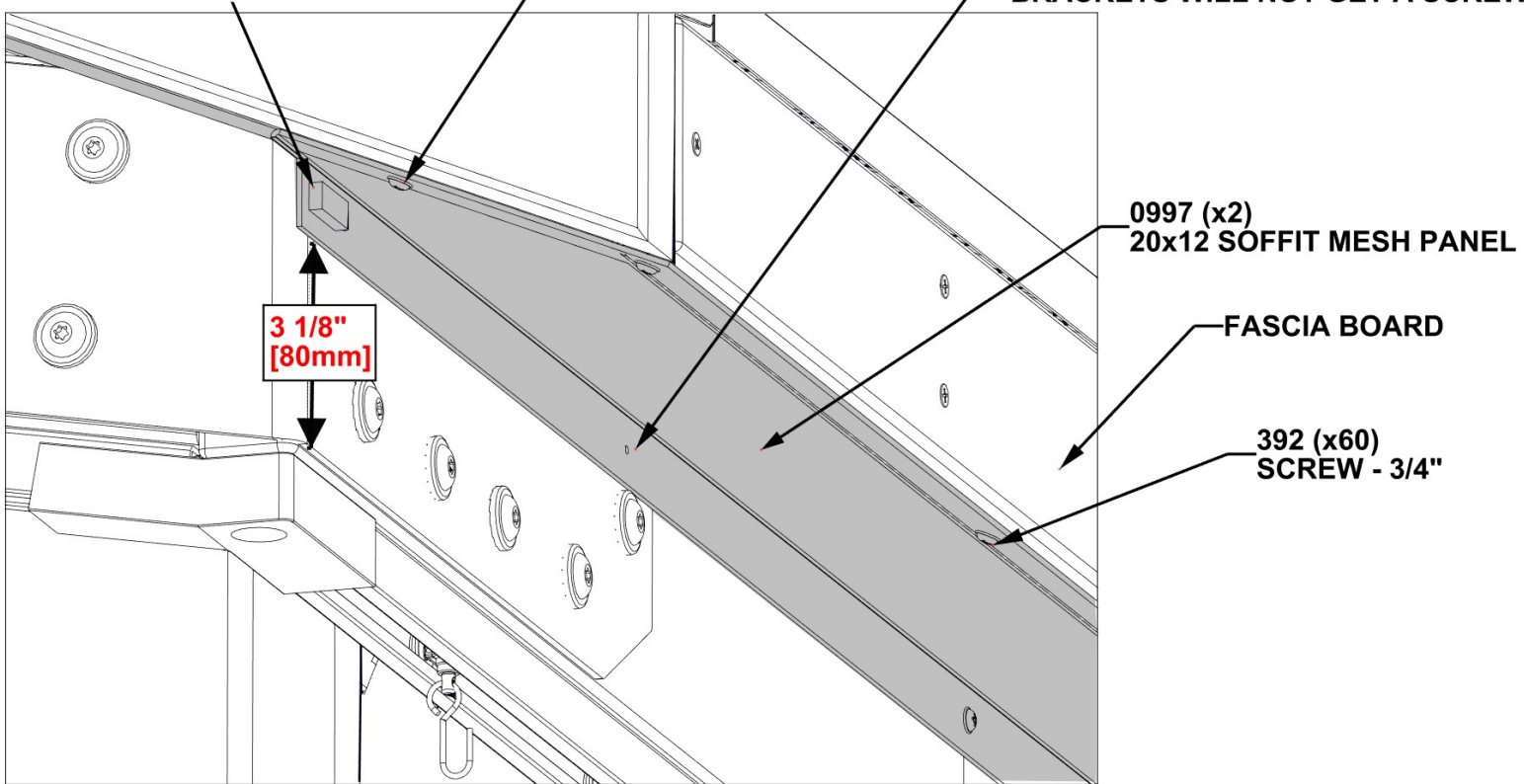
- LOCATE THE INTEGRATED MAGNET IN THE EDGE OF THE SOFFIT MESH. THIS IS THE INSIDE EDGE WHICH WILL BE ATTACHED FIRST, TO THE FACE OF THE OUTER BEAM.
- THE BOTTOM EDGE OF THE MESH WILL BE 3 1/8" [80mm] ABOVE THE BOTTOM EDGE OF THE OUTER BEAM.
- ALIGN THE OPPOSITE SIDE OF THE SOFFIT MESH WITH THE BOTTOM EDGE OF THE FASCIA BOARD.



**USE INTEGRATED MAGNET TO HOLD MESH TO BRACKET AS SHOWN**

**START WITH THIS SCREW**

**NOTE THAT HOLES IN MESH OVER BRACKETS WILL NOT GET A SCREW.**



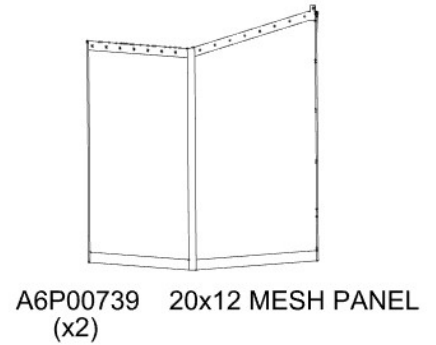
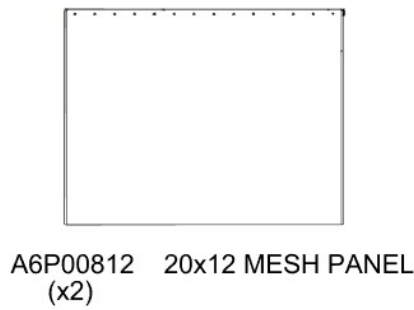
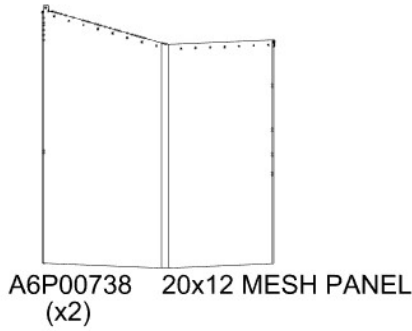
**3 1/8" [80mm]**

0997 (x2)  
20x12 SOFFIT MESH PANEL

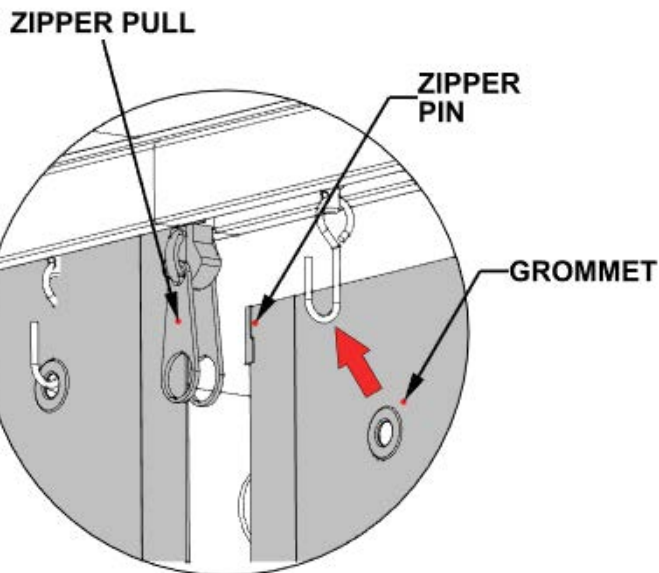
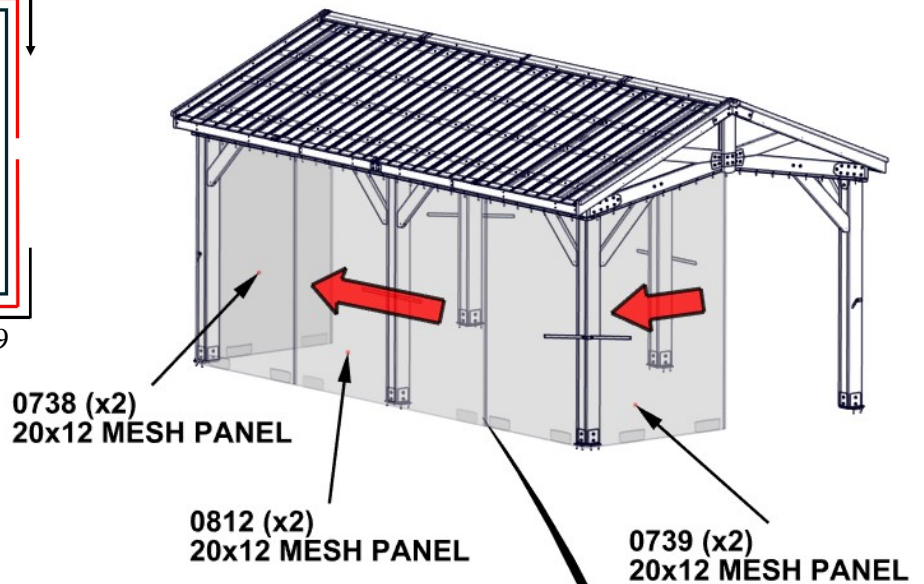
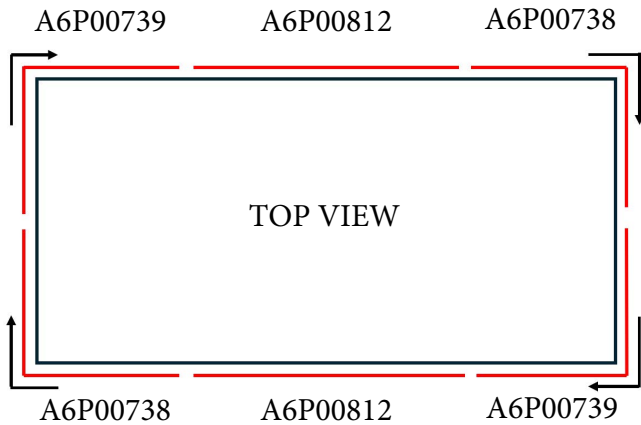
FASCIA BOARD

392 (x60)  
SCREW - 3/4"

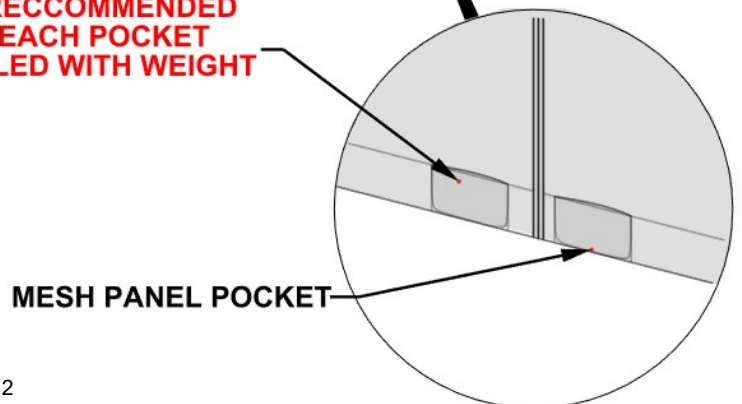
# STEP 8 - MESH PANEL INSTALLATION



1. EACH CORNER PANEL GOES AROUND THE OUTSIDE OF THE POSTS AND COVERS ONE HALF OF THE 12FT SIDE AND A PORTION OF THE 20 FT SIDE CONNECTING TO THE CENTER PANEL A6P00812.  
**PAY CAREFUL ATTENTION TO THE MESH PANEL PART NUMBERS AS YOU WILL ALTERNATE THEM WHEN HANGING (SEE IMAGE).**
2. THE POCKETS AT THE BOTTOM OF THE PANEL SHOULD BE FACING THE INSIDE OF THE GAZEBO.  
**ZIPPERS WILL NOT ALIGN IF PANELS ARE FACING THE WRONG DIRECTION.**
3. BEGIN HANGING MESH PANEL A6P00739 AT THE CENTER OF THE 12FT SIDE (USING 8 HOOKS). CONTINUE AROUND THE POST TO THE 20 FT SIDE (USING 7 HOOKS).
4. ATTACH THE CENTER PANEL A6P00812 ON THE 20 FT SIDE (USING 14 HOOKS).
5. REPEAT STEP 3 TO ATTACH MESH PANEL A6P00735.
6. REPEAT STEPS 3 - 5 TO ATTACH THE REST OF THE PANELS.
7. AFTER ALL PANELS ARE HUNG, ZIP THEM TOGETHER.



**IT IS RECCOMENDED THAT EACH POCKET IS FILLED WITH WEIGHT**



# STEP 9 - BUTTON SNAP INSTALLATION

Qty	PartNo	BOM DESCRIPTION
4	H100254	PHILLIPS HEAD SNAP SCREW 8-18x5/8"

- INSTALL SNAP SCREWS IN APPROXIMATE LOCATION AS SHOWN.
- USE SNAP SCREW TO ATTACH THE SNAPS FOUND ON TOP OF THE ANGLED SIDE OF THE MESH.
- REPEAT FOR OPPOSITE END OF GAZEBO.

254 (x4)  
PHILLIPS HEAD SNAP SCREW

