



Manufactured by:
Backyard Discovery
3305 Airport Drive, Pittsburg,
KS 66762 800-856-4445

Basepoint Business Centre: Rivermead Drive, Westlea, Swindon SN5 7EX Phone: 0800-118-2476
J.P. Coenstraat 7, The Bridge, The Hague, 2595 WP, Netherlands Phone: 08005678990

10x10 NORWOOD GAZEBO

MODEL # : 2206069B



Please visit www.backyarddiscovery.com
For the most up to date assembly manual, to register your product, or to order
replacement parts *Para obtener instrucciones en español, visite*
www.backyarddiscovery.com



EASY STEP-BY-STEP
3D INTERACTIVE INSTRUCTIONS
DOWNLOAD THE FREE APP



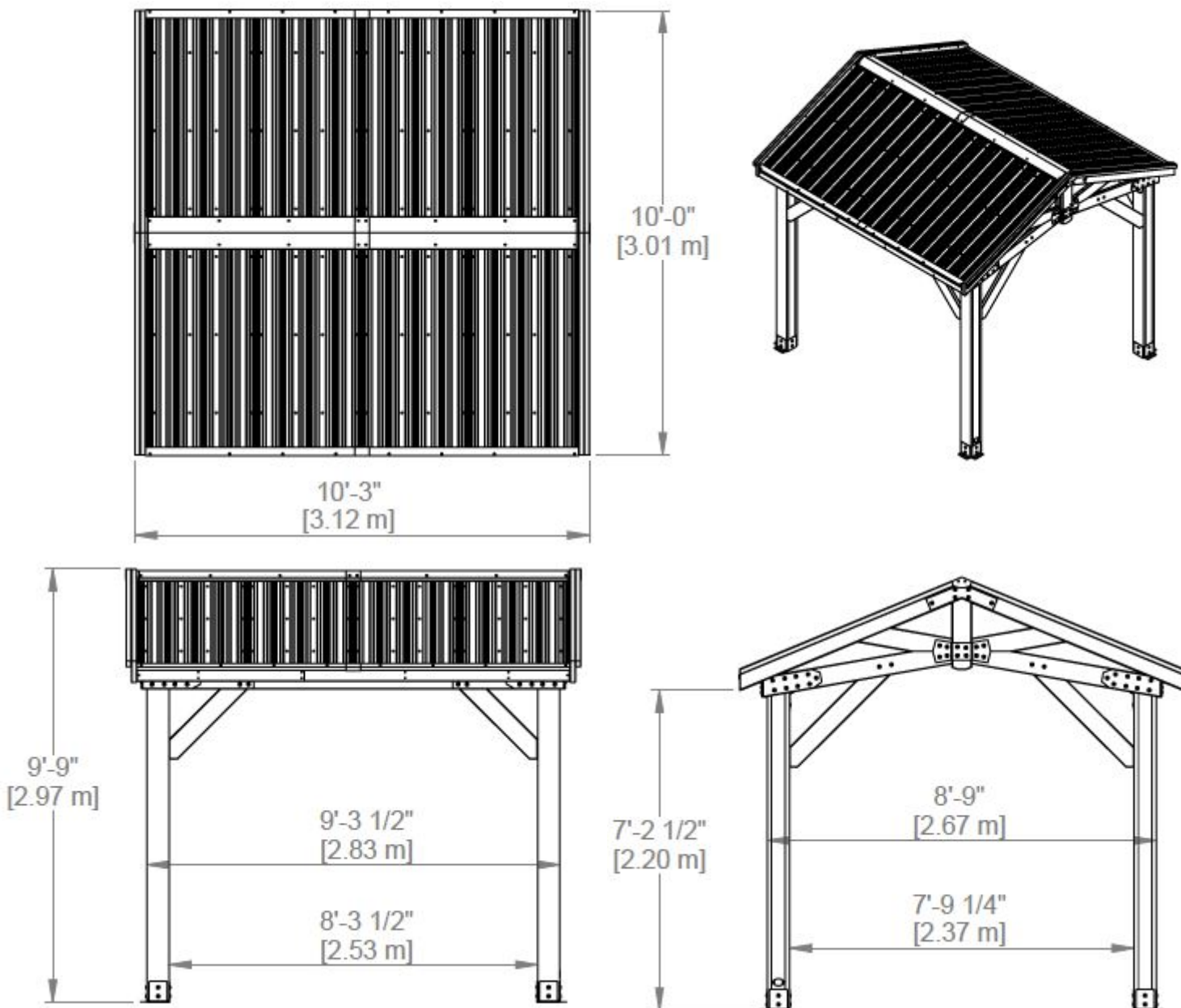
OWNER'S MANUAL - BASIC SETUP DIMENSIONS & ASSEMBLY NOTES

It is critically important that you start with square and level footings, concrete pad or deck to attach your structure

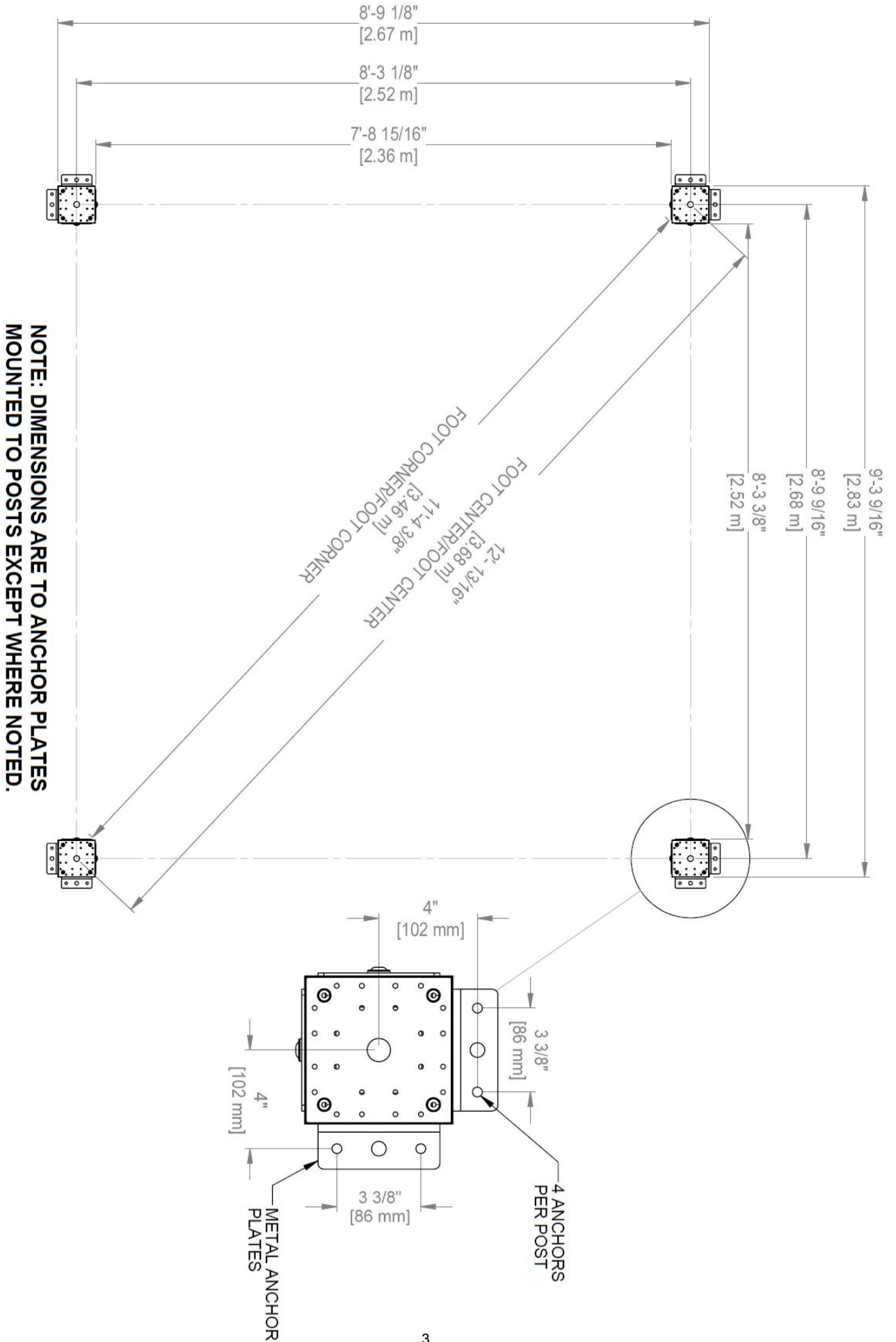
- Pay close attention to the items needed for each step. Make sure you are using the correct hardware for each step. Using incorrect hardware may result in improper assembly
- Remember to double check for underground utilities and overhead electrical lines

Post mounts are provided with your structure which allows you to permanently install your structure to a pre-existing or new wood or concrete surface. See Anchor Instructions for further details and recommendations.

- The hardware to attach the post mounts to the structure is included.
- The hardware to mount the structure permanently to a concrete surface is included.
- The hardware to mount the structure permanently to a wood deck is NOT included and will need to be purchased separately. You must ensure there is ample structural support under the deck before permanently attaching.



OWNER'S MANUAL - ANCHORING LAYOUT



OWNER'S MANUAL - PARTS IDENTIFICATION



D03 GABLE BOARD - W4L17202
(x4) 1 3/8"X5 1/4"X21 3/4" (36x134x553)



D04 CORBEL - W4L16853
(x4) 1 3/8"X5 1/4"X34 7/16" (36x134x875)



D05 GABLE BOARD - W4L16854
(x2) 1 3/8"X1 1/2"X5 1/4" (36x38x134)



D06 CORBEL - W4L16855
(x3) 1 3/8"X5 1/4"X44 1/16" (36x134x1119)



CA01 CORBEL - W2A03504
(x1) 1 3/8"x1 3/8"x44 1/16" (36x134x1119)



E01 RAFTER - W4L19650
(x4) 1 7/16"x3 3/8"x64 5/16" (36x86x1634)



E02 RAFTER - W4L19651
(x4) 1 7/16"x3 3/8"x64 5/16" (36x86x1634)



E06 ACCESSORY TRUSS - W4L16863
(x4) 1 3/8"X3 3/8"X73 7/8" (36x86x1875)



F01 TRUSS - W4L17203
(x4) 1 7/16"x2 3/8"x62 1/16" (36x60x1576)



G01 TOP RAIL - W4L19511
(x4) 15/16"x5 1/4"x27 11/16" (24x134x703)



G02 TOP RAIL - W4L19512
(x2) 15/16"x5 1/4"x59 1/16" (24x134x1500)



G03 TOP RAIL - W4L19515
(x4) 15/16"x5 1/4"x57 3/16" (24x134x1453))



H01 PURLIN - W4L19648
(x6) 15/16"x3 3/8"x45 1/4" (24x86x1150)



H02 PURLIN - W4L19649
(x6) 15/16"x3 3/8"x73 1/4" (24x86x1860)



H03 FASCIA - W4L17207
(x2) 15/16"x3 3/8"x45 1/4" (24x86x1150)

OWNER'S MANUAL - PARTS IDENTIFICATION



H04 FASCIA - W4L17208
(x2) 15/16"x3 3/8"x73 1/4" (24x86x1860)



H05 RIDGE - W4L19647
(x2) 15/16"x3 3/8"x41" (24x86x1042)



H06 RIDGE - W4L19646
(x2) 15/16"x3 3/8"x69" (24x86x1752)



H08 NOTCHED SUPPORT BOARD - W4L16915
(x2) 1"x3 3/8"x89 1/2" (24x86x2274)



J01 RIDGE CAP STIFFENER - W4L17211
(x2) 15/16"x2 3/8"x47 5/8" (24x60x1210)



J02 RIDGE CAP STIFFENER - W4L17212
(x2) 15/16"x2 3/8"x69 5/16" (24x60x1760)



GP1 GABLE PANEL - W2A03515
(x2) 2 13/16"x5 1/4"x67 3/16" (72x134x1706)



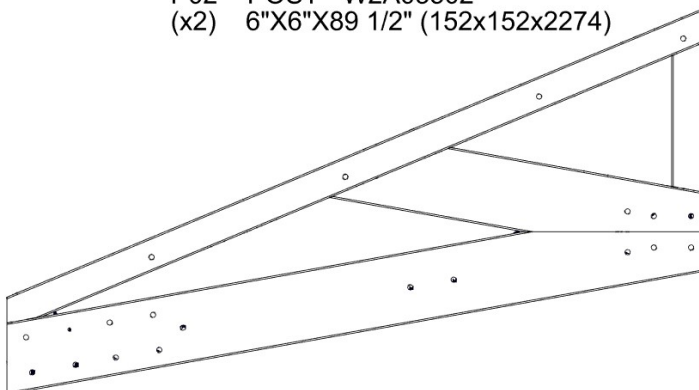
GP2 GABLE PANEL - W2A03516
(x2) 2 13/16"x5 1/4"x67 3/16" (72x134x1706)



P01 POST - W2A03501
(x2) 6"x6"x89 1/2" (152x152x2274)



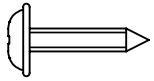
P02 POST - W2A03502
(x2) 6"x6"x89 1/2" (152x152x2274)



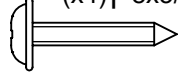
GT1 GABLE TRUSS - W2A03514
(x4) 1 7/16"x29 1/16"x52 9/16" (36x738x1335)

OWNER'S MANUAL - PARTS IDENTIFICATION

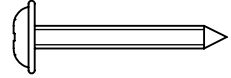
Hardware Components



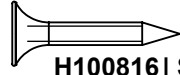
H100202 | SCREW PWH BLK
(x4) | 8x5/8



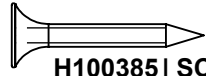
H100392 | SCREW PWH BLK
(x16) | 8x3/4



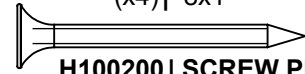
H100797 | SCREW PWH BLK
(x8) | 8x1



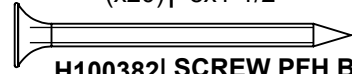
H100816 | SCREW PFH BLK
(x6) | 8x7/8



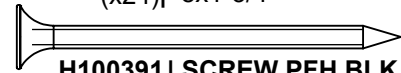
H100385 | SCREW PFH BLK
(x4) | 8x1



H100200 | SCREW PFH BLK
(x20) | 8x1-1/2



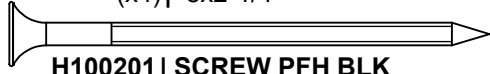
H100382 | SCREW PFH BLK
(x24) | 8x1-3/4



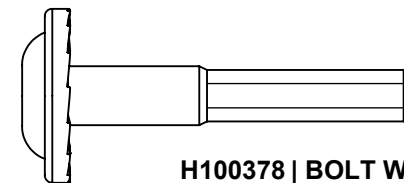
H100391 | SCREW PFH BLK
(x84) | 8x2



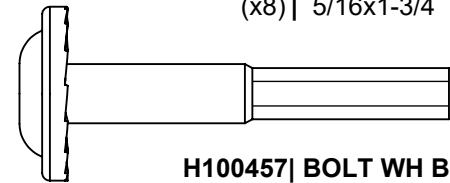
H100483 | SCREW PFH BLK
(x4) | 8x2-1/4



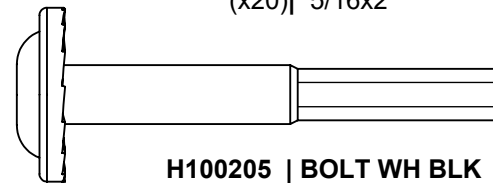
H100201 | SCREW PFH BLK
(x20) | 8x2-1/2



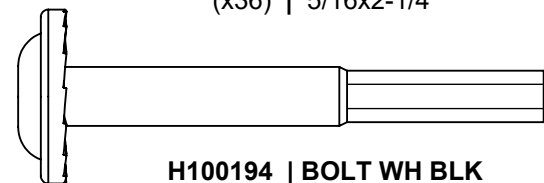
H100378 | BOLT WH BLK
(x8) | 5/16x1-3/4



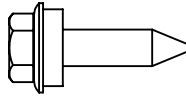
H100457 | BOLT WH BLK
(x20) | 5/16x2



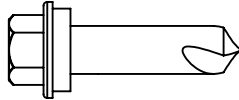
H100205 | BOLT WH BLK
(x36) | 5/16x2-1/4



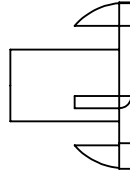
H100194 | BOLT WH BLK
(x4) | 5/16x2-1/2



H100833 | SCREW WOODGRIP
(x124) | 10x3/4



H100759 | SCREW TAPPING
(x16) | 1/4x1



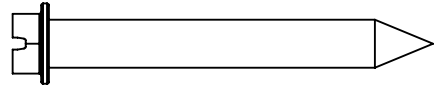
H100379 | T-NUT BLK
(x64) | 5/16



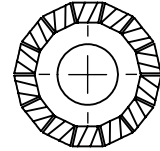
H100479 | NUT LOCK BLK
(x74) | 5/16



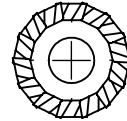
H100653 | NUT LOCK BLK
(x4) | 1/4



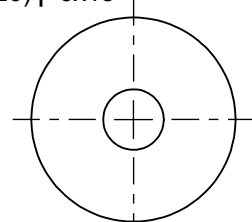
H100120 | CONCRETE ANCHOR
(x16) | 1/4x2



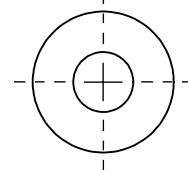
H100198 | WASHER LOCK EXT BLK
(x40) | 8x19



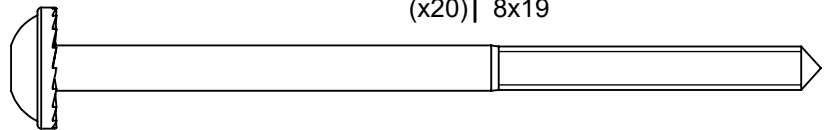
H100405 | WASHER LOCK EXT BLK
(x20) | 6x15



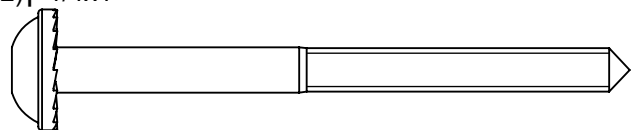
H100478 | WASHER FLAT BLK
(x78) | 8x27



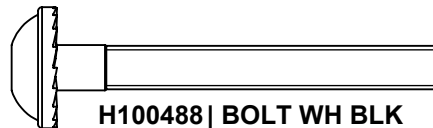
H100630 | WASHER FLAT BLK
(x20) | 8x19



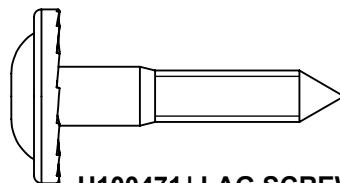
H100564 | LAG SREW WH BLK
(x12) | 1/4x4



H100792 | LAG SCREW WH BLK
(x8) | 1/4x3



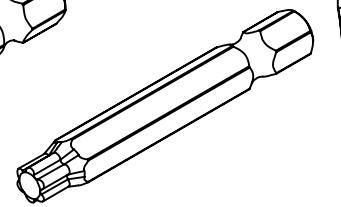
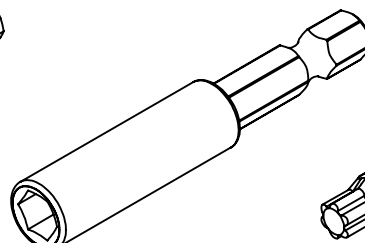
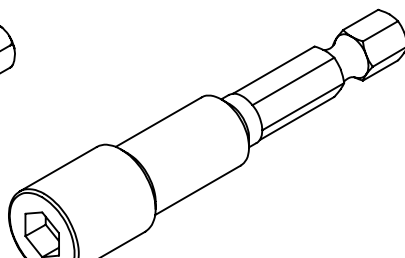
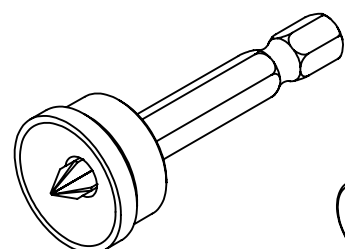
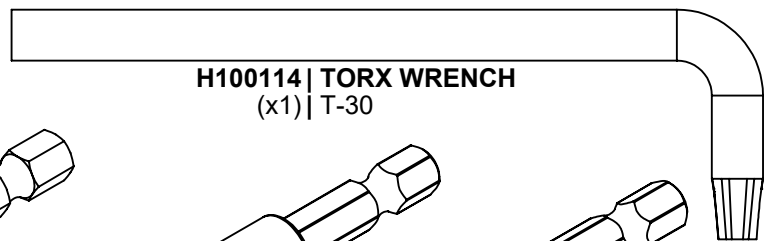
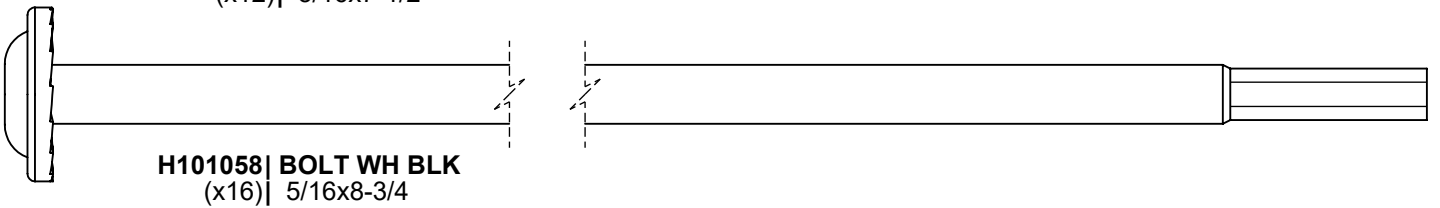
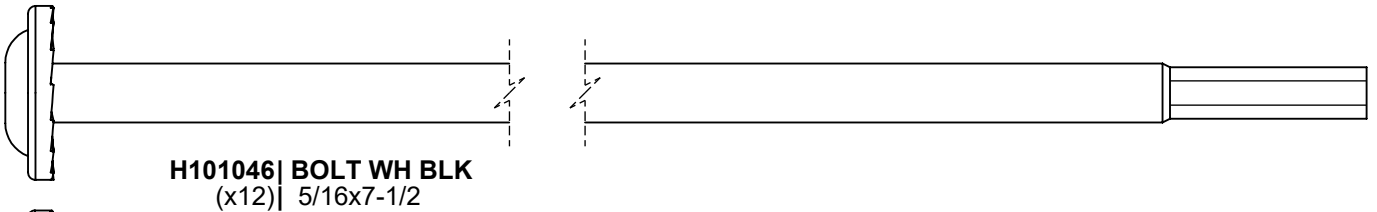
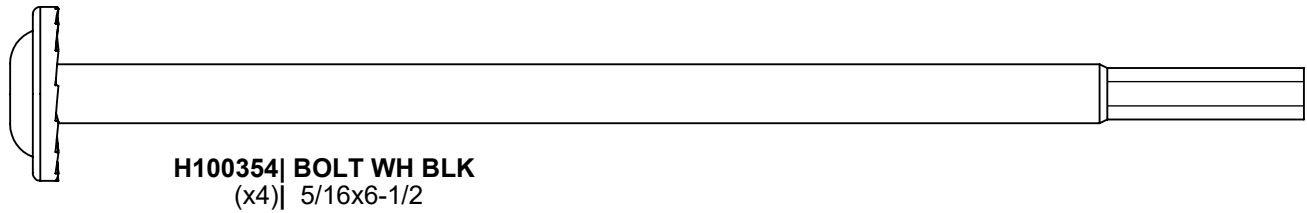
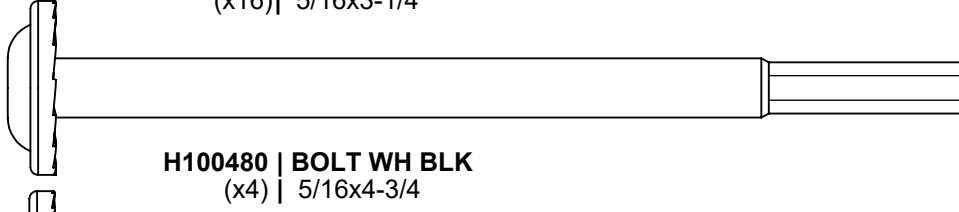
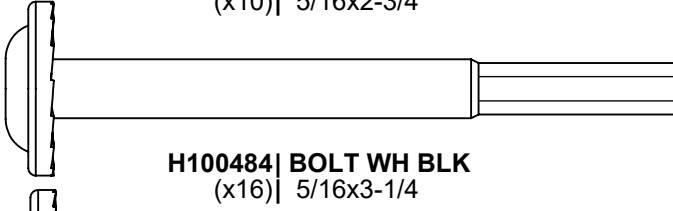
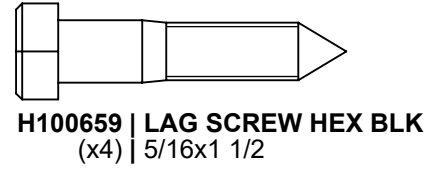
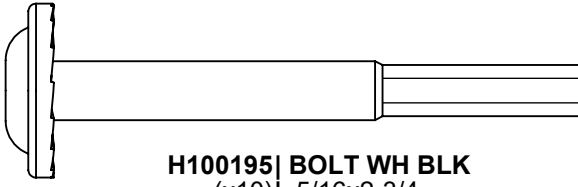
H100488 | BOLT WH BLK
(x4) | 1/4x2



H100471 | LAG SCREW WH BLK
(x44) | 5/16x1-1/2

OWNER'S MANUAL - PARTS IDENTIFICATION

Hardware Components



H100764 | SCREW SETTER
(x1) |

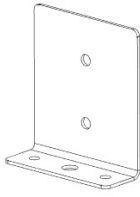
H101106 | SOCKET DRIVER
(x1) |

H101100 | MAGNETIC DRIVER
(x1) |

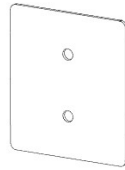
H100147 | TORX BIT
(x1) | T-30

OWNER'S MANUAL - PARTS IDENTIFICATION

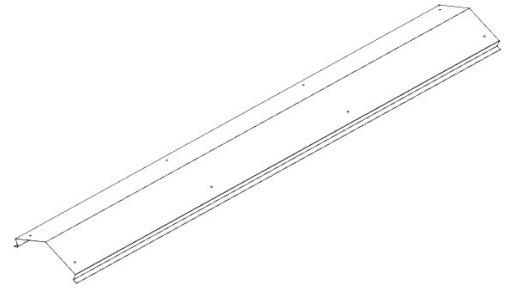
Accessory Components (Not to Scale)



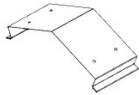
A4M00977 POST ANCHORING
(x8) PLATE WITH FLANGE



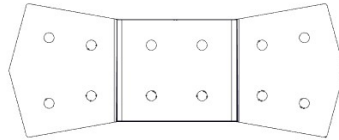
A4M00978 POST PLATE
(x8)



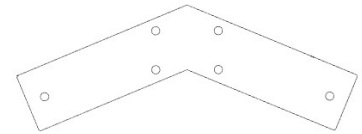
A4M02636 RIDGE CAP 29 GA
(x2)



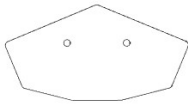
A4M02640 RIDGE CAP SPLICE
(x1)



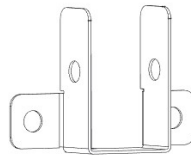
A4M01129 GABLE BRACKET
(x4)



A4M01130 GABLE BRACKET
(x2)



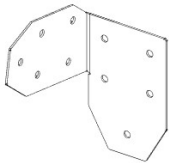
A4M01147 PEAK SEAM BRACKET
(x2)



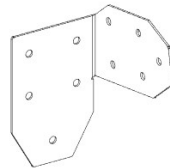
A4M01148 TRUSS BRACKET
(x2)



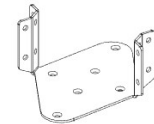
A4M01228 RAFTER CLIP
(x4)



A4M01232 LEFT ANGLE BRACKET
(x2)



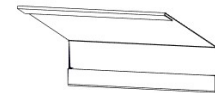
A4M01233 RIGHT ANGLE BRACKET
(x2)



A4M02501 FAN MOUNT BRACKET
(x1)



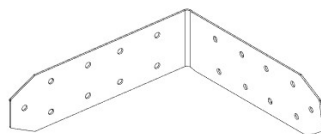
A4M02637 ROOF EDGE TRIM
(x4)



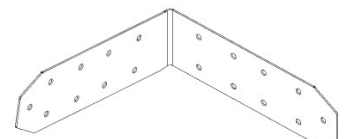
A4M02638 ROOF EDGE TRIM SPLICE
(x2)



A4M02158 BYD ID TAG PATIO
(x1)



A4M02717 RIGHT OUTSIDE BRACKET
(x2)



A4M02718 LEFT OUTSIDE BRACKET
(x2)

OWNER'S MANUAL - PARTS IDENTIFICATION

Accessory Components (Not to Scale)



A4M02719 GAZEBO BRACE
(x2)



A4M02720 GAZEBO BRACE
(x1)



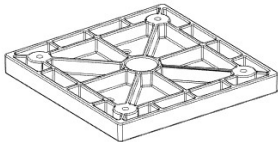
A4M02938 ROOF END TRIM
(x2)



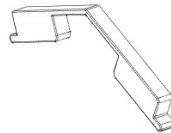
A4M02939 ROOF END TRIM
(x2)



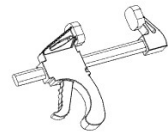
A4M02807 29GA STEEL SHEETING
(x8)



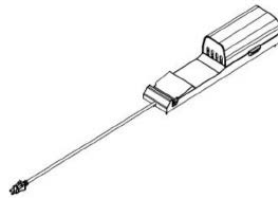
A6P00308 6x6 POST FOOT
(x4)



A6P00398 RIDGE CAP PROTECTOR
(x2)



A6P00460 6" QUICK RELEASE
BAR CLAMP
(x2)



9205413 ELECTRICAL ENCLOSURE
(x1)

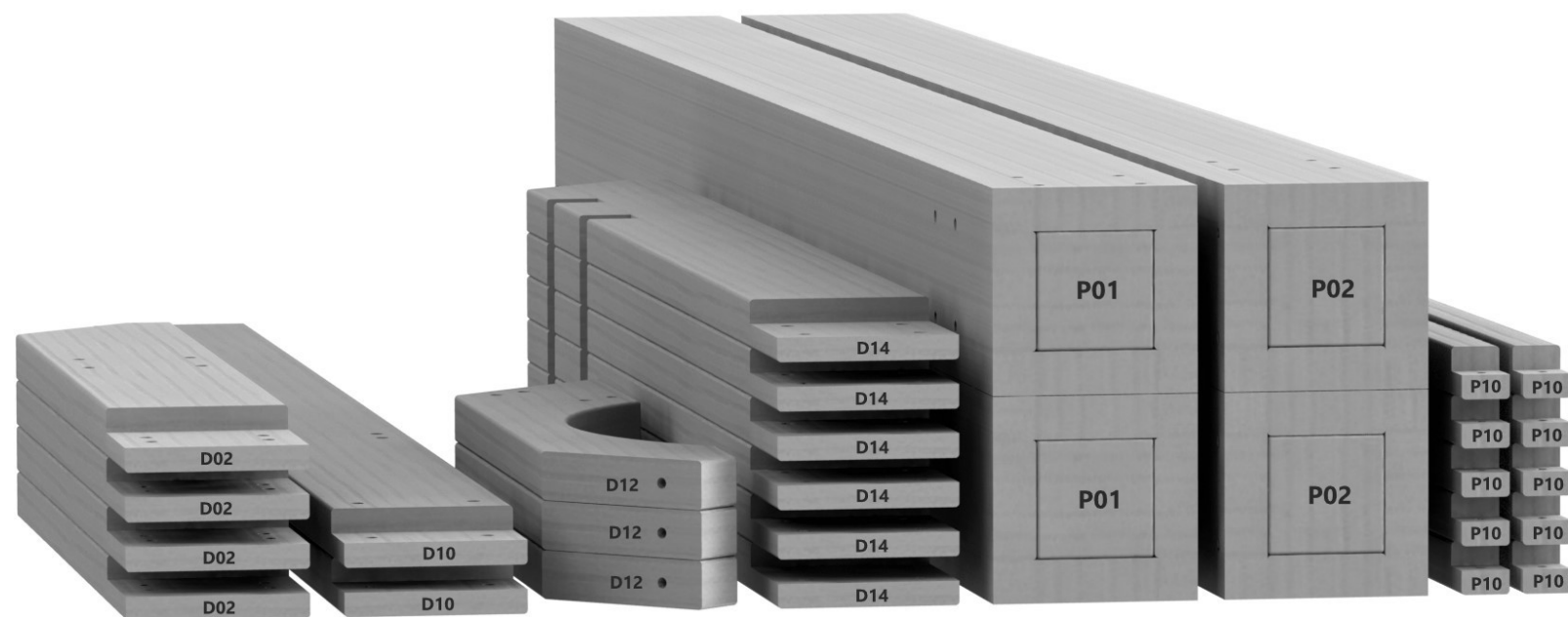
PRE-ASSEMBLY STEP 1 - SORTING PARTS

It is critical for ease of assembly that you take the time to sort and organize the wood and hardware.

WOOD PARTS:

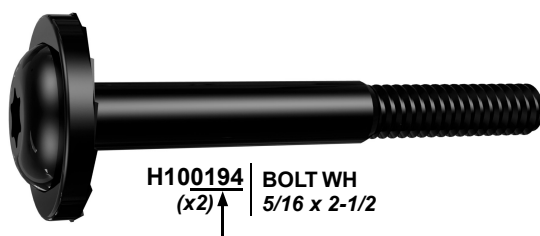
- Organize wood parts by the three-digit, alpha-numeric number stamped on each board (ex. P01).
- If there are multiple boards with the same stamped number, stack those pieces together.
- Stamps can be found on the flat surface of the boards or on the end of the boards.
- Allow yourself plenty of room - the wood pieces can take up a significant amount of space.

NOTE: CARTONS ARE NOT ORGANIZED BY BOARD NUMBER.



HARDWARE PARTS:

- We recommend that you have a separate table to organize the hardware.
- Hardware bags are printed with a seven-digit, alpha-numeric part number.
- You can organize your hardware by part number or group by hardware type (i.e. bolts, nuts, etc.).
- During assembly you only need to reference the last four digits of the number.



H100194 | BOLT WH
(x2) ↑ 5/16 x 2-1/2

PRE-ASSEMBLY STEP 2 - TOOLS REQUIRED



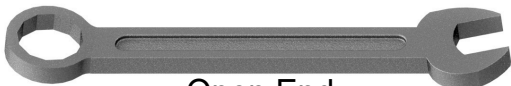
Cordless Drill
or Electric Drill



Drill
Attachments:
Phillips Head



1/8", 3/16", 3/8" &
7/16" Drill Bits



Open End
Wrenches 1/2" &
9/16"



3/8" Drive Ratchet, 1/2" &
7/16" STD Sockets 1/2" & 7/16"
Deep Sockets



Phillips Screw Driver



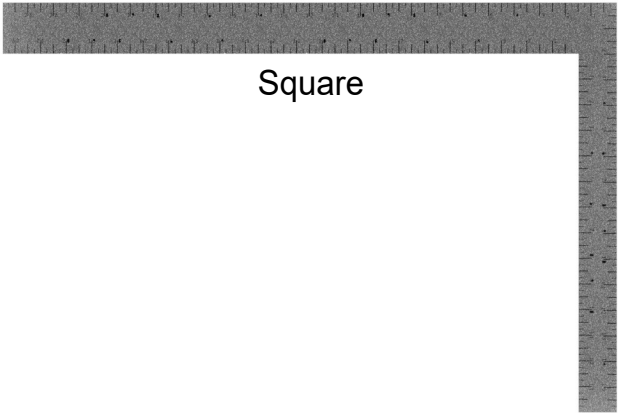
Claw Hammer



Rubber Mallet
- Optional



Tape Measure



Square




Level 24"

PRE-ASSEMBLY STEP 3 - CHOOSE YOUR ASSEMBLY METHOD

There are several types of assembly instructions available to you.

1. Printed Assembly Manual included with your set
2. BILT APP - 3D interactive instructions
3. Combination of the Printed Manual and BILT APP (Note: Step numbers can differ between the two methods)



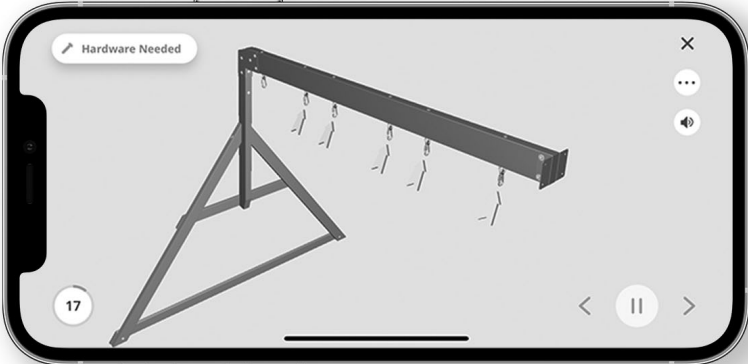
BILT.[®]

Scan for easy
3D instructions

Download the BILT app
before you begin

Download on the
App Store

GET IT ON
Google Play



The image shows a smartphone screen displaying a 3D assembly instruction. The screen features a 3D model of a metal frame structure. At the top left, there is a button labeled "Hardware Needed". At the bottom left, a circular indicator shows the number "17". At the bottom right, there are navigation icons: a back arrow, a pause button, and a forward arrow. The entire advertisement is enclosed in a grey border.

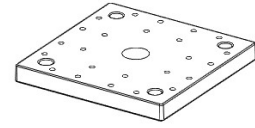
STEP 1 - POST ASSEMBLY



P01 POST - W2A03501
(x1) 6"X6"X89 1/2" (152x152x2274)



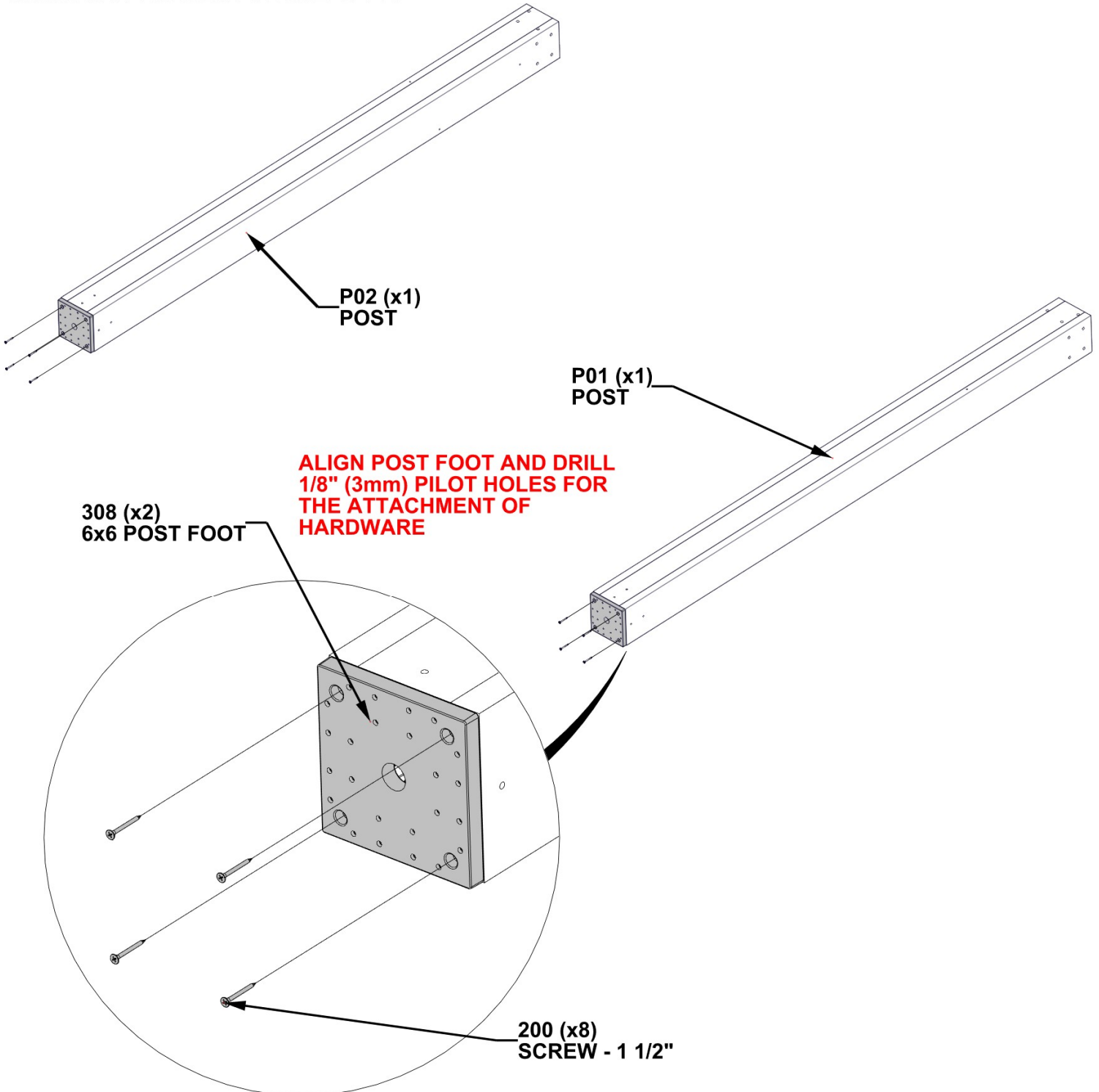
P02 POST - W2A03502
(x1) 6"X6"X89 1/2" (152x152x2274)



A6P00308 6x6 POST FOOT
(x2)

QTY	PART NUMBER	DESCRIPTION
8	H100200	SCREW PFH 8x1 1/2 BLK

FOR EASE OF ASSEMBLY, WE RECOMMEND USING SAW HORSES FOR STEPS 1-7.

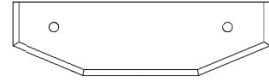


STEP 2 - GABLE ASSEMBLY

QTY	PART NUMBER	DESCRIPTION
2	H100483	SCREW PFH 8x2 1/4 BLK

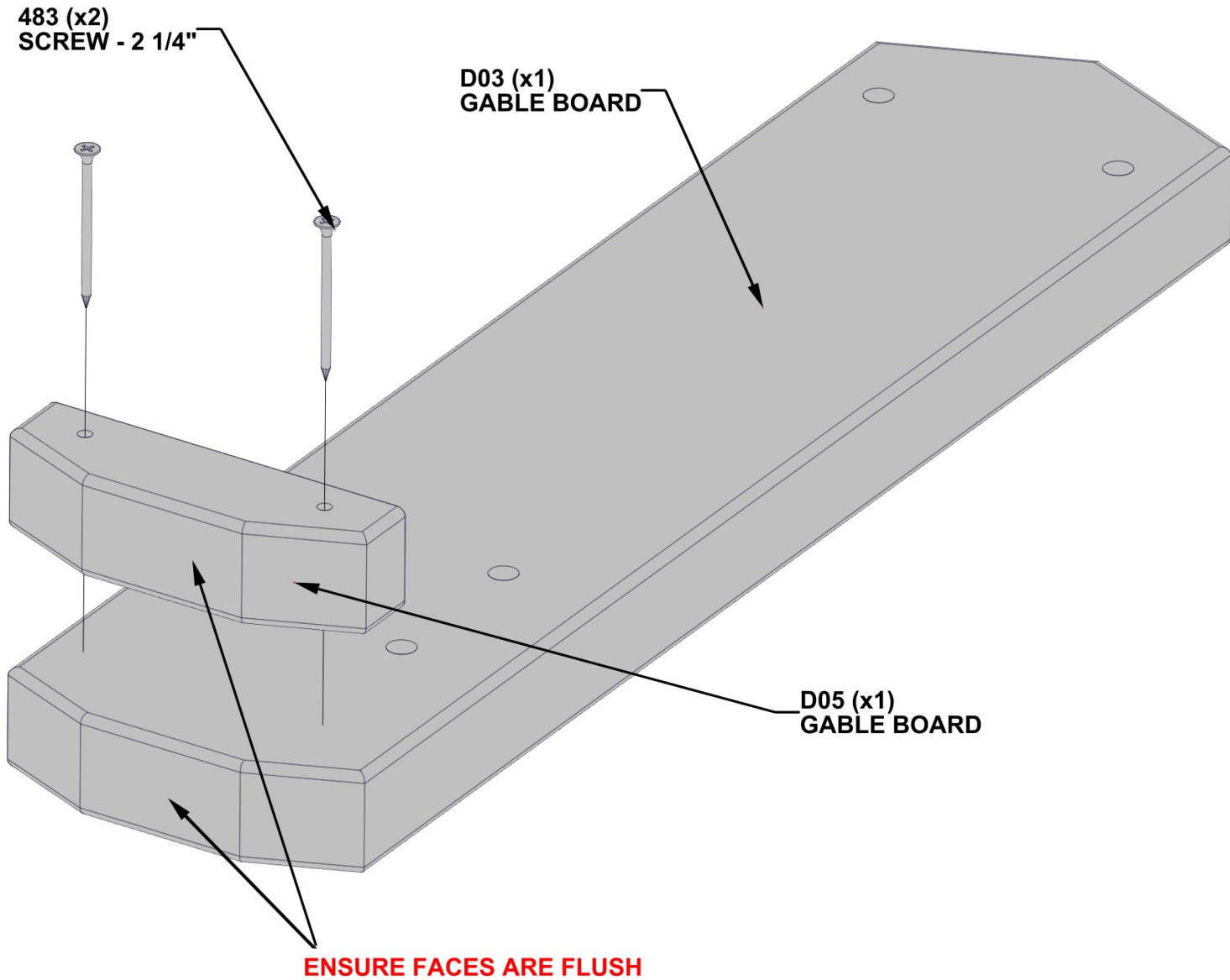


D03 GABLE BOARD - W4L17202
(x1) 1 3/8"X5 1/4"X21 3/4" (36x134x553)



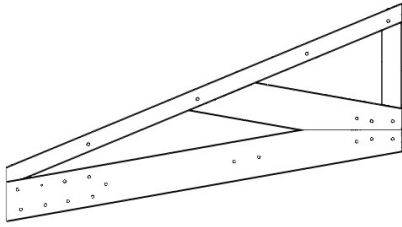
D05 GABLE BOARD - W4L16854
(x1) 1 3/8"X1 1/2"X5 1/4" (36x38x134)

ALIGN D05 WITH D03, ENSURING THAT BOTTOM FACES ARE FLUSH. DRILL 1/8" (3mm) PILOT HOLES IN D03 USING D05 AS TEMPLATE.



STEP 3 - GABLE ASSEMBLY

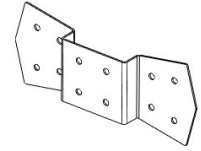
QTY	PART NUMBER	DESCRIPTION
4	H100881	BOLT WH 5/16x5 BLK
4	H100478	WASHER FLAT 8x27 BLK
4	H100479	NUT LOCK 5/16 BLK



GT1 GABLE TRUSS - W2A03514
(x2) 1 7/16"x29 1/16"x52 9/16" (36X738X1335)



D03 GABLE BOARD - W4L17202
(x1) 1 3/8"X5 1/4"X21 3/4" (36x134x553)



A4M01129 GABLE BRACKET
(x2)

881 (x4)
BOLT - 5"

**TEMPORARILY ADD LONG BOLTS
TO HELP ALIGN WOOD PARTS.**

D03 (x1)
GABLE BOARD

GT1 (x2)
GABLE TRUSS

ASSEMBLY
FROM PREVIOUS STEP

478 (x4)
WASHER - 8x27

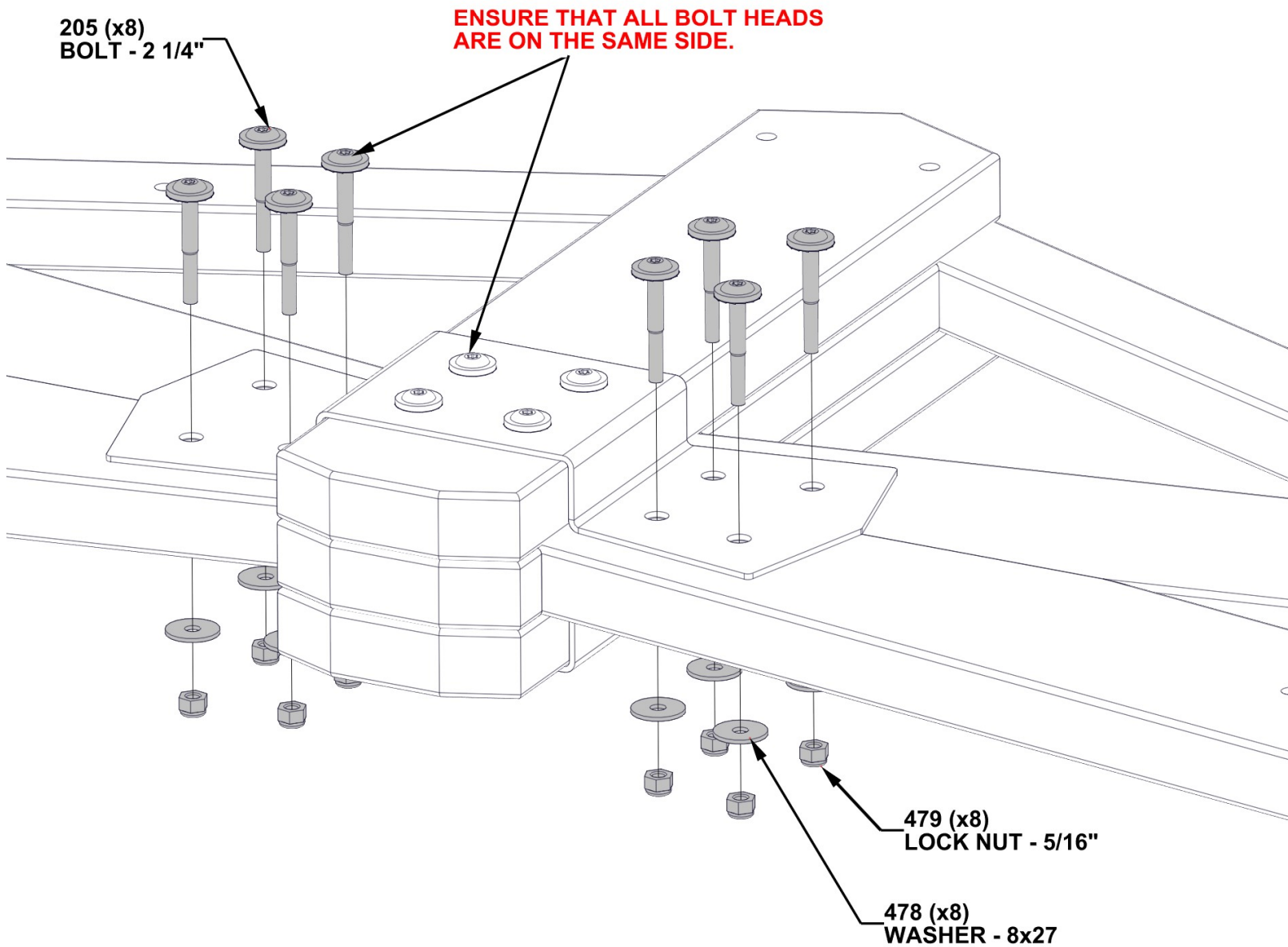
1129 (x2)
GABLE BRACKET

479 (x4)
LOCK NUT - 5/16"

STEP 4 - GABLE ASSEMBLY

QTY	PART NUMBER	DESCRIPTION
8	H100205	BOLT WH 5/16x2 1/4 BLK
8	H100479	NUT LOCK 5/16 BLK
8	H100478	WASHER FLAT 8x27 BLK

USE METAL BRACKET AS A GUIDE AND
DRILL THROUGH USING A 7/16" (10mm)
DRILL BIT, IF NEEDED.



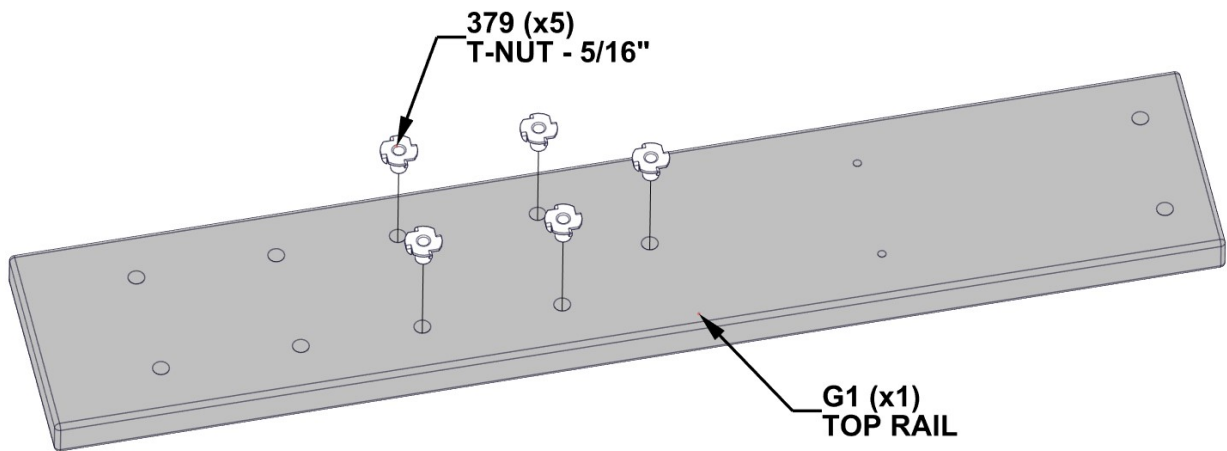
STEP 5 - GAZEBO ASSEMBLY

QTY	PART NUMBER	DESCRIPTION
10	H100379	T-NUT 5/16 BLK



G1 TOP RAIL - W4L19511
(x2) 15/16"x5 1/4"x27 11/16" (24x134x703)

COMPLETE THIS STEP TWO TIMES.



STEP 6A - GAZEBO ASSEMBLY

QTY	PART NUMBER	DESCRIPTION
1	H100471	LAG SCREW WH 5/16x1 1/2 BLK
1	H100659	LAG SCREW HEX 5/16x1 1/2 BLK
3	H101046	BOLT WH 5/16x7 1/2 BLK
3	H100379	T-NUT 5/16 BLK
4	H101058	BOLT WH 5/16x8 3/4 BLK
4	H100479	NUT LOCK 5/16 BLK
5	H100478	WASHER FLAT 8x27 BLK



P1 POST - W2A03517
(x1) 6"x6"x89 1/2" (152x152x2274)



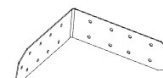
G03 TOP RAIL - W4L19515
(x1) 15/16"x5 1/4"x57 3/16" (24x134x1453)



G01 (x1)
TOP RAIL W/TNUTS
FROM PREVIOUS STEP



A4M01232 LEFT ANGLE BRACKET
(x1)

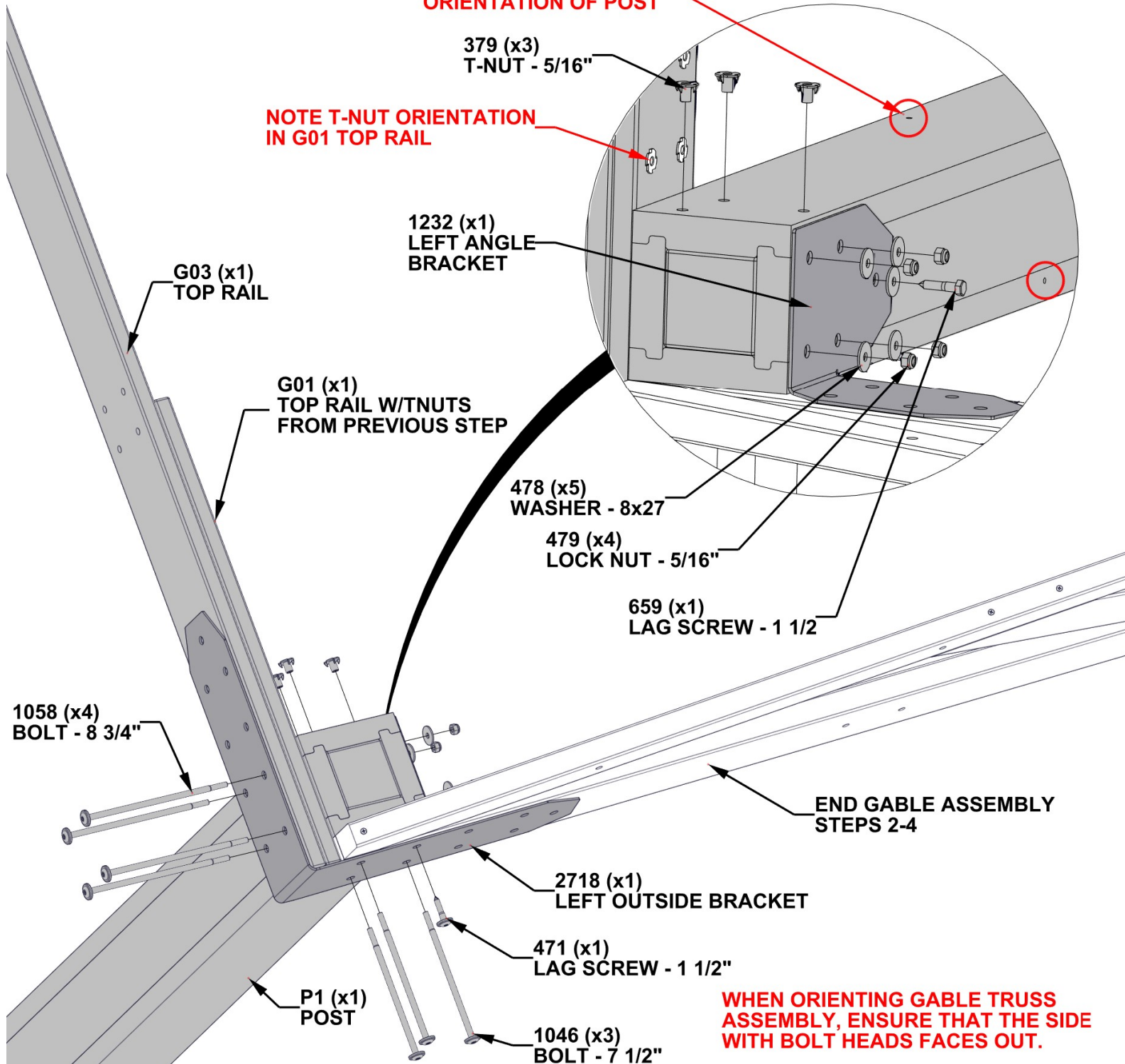


A4M02718 LEFT OUTSIDE BRACKET
(x1)

- INSERT T-NUTS FIRST

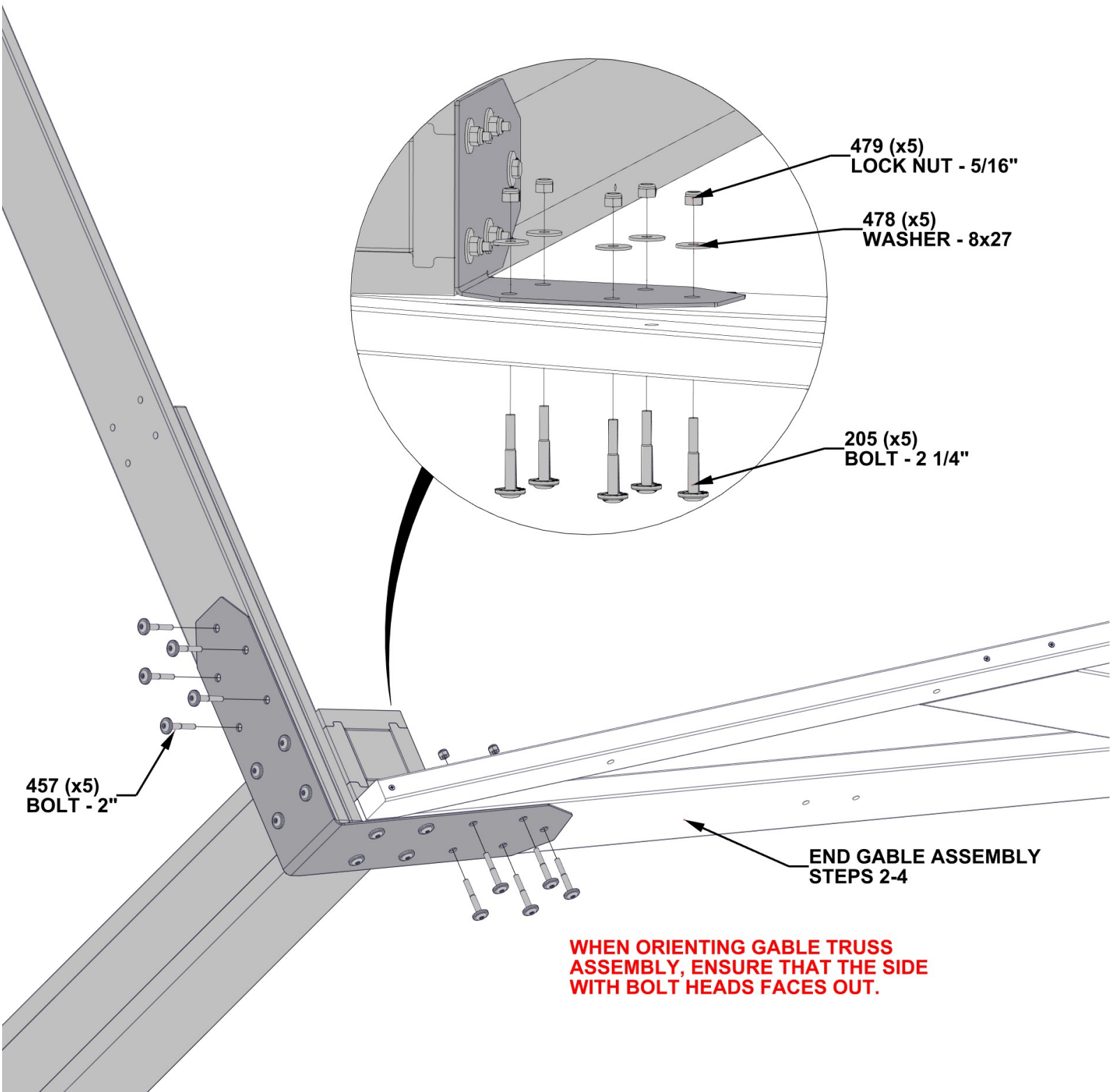
ENSURE CORRECT ORIENTATION OF POST

NOTE T-NUT ORIENTATION IN G01 TOP RAIL



STEP 6B - GAZEBO ASSEMBLY

QTY	PART NUMBER	DESCRIPTION
5	H100479	NUT LOCK 5/16 BLK
5	H100457	BOLT WH 5/16x2 BLK
5	H100205	BOLT WH 5/16x2 1/4 BLK
5	H100478	WASHER FLAT 8x27 BLK



457 (x5)
BOLT - 2"

479 (x5)
LOCK NUT - 5/16"

478 (x5)
WASHER - 8x27

205 (x5)
BOLT - 2 1/4"

END GABLE ASSEMBLY
STEPS 2-4

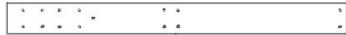
**WHEN ORIENTING GABLE TRUSS
ASSEMBLY, ENSURE THAT THE SIDE
WITH BOLT HEADS FACES OUT.**

STEP 7A - GAZEBO ASSEMBLY

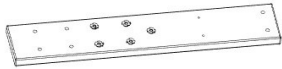
QTY	PART NUMBER	DESCRIPTION
1	H100471	LAG SCREW WH 5/16x1 1/2 BLK
1	H100659	LAG SCREW HEX 5/16x1 1/2 BLK
3	H101046	BOLT WH 5/16x7 1/2 BLK
3	H100379	T-NUT 5/16 BLK
4	H101058	BOLT WH 5/16x8 3/4 BLK
4	H100479	NUT LOCK 5/16 BLK
5	H100478	WASHER FLAT 8x27 BLK



P2 POST - W2A03502
(x1) 6"x6"x89 1/2" (152x152x2274)



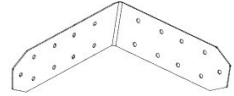
G03 TOP RAIL - W4L19515
(x1) 15/16"x5 1/4"x57 3/16" (24x134x1453)



G01 TOP RAIL - W4L19511
(x1) 15/16"x5 1/4"x27 11/16" (24x134x703)

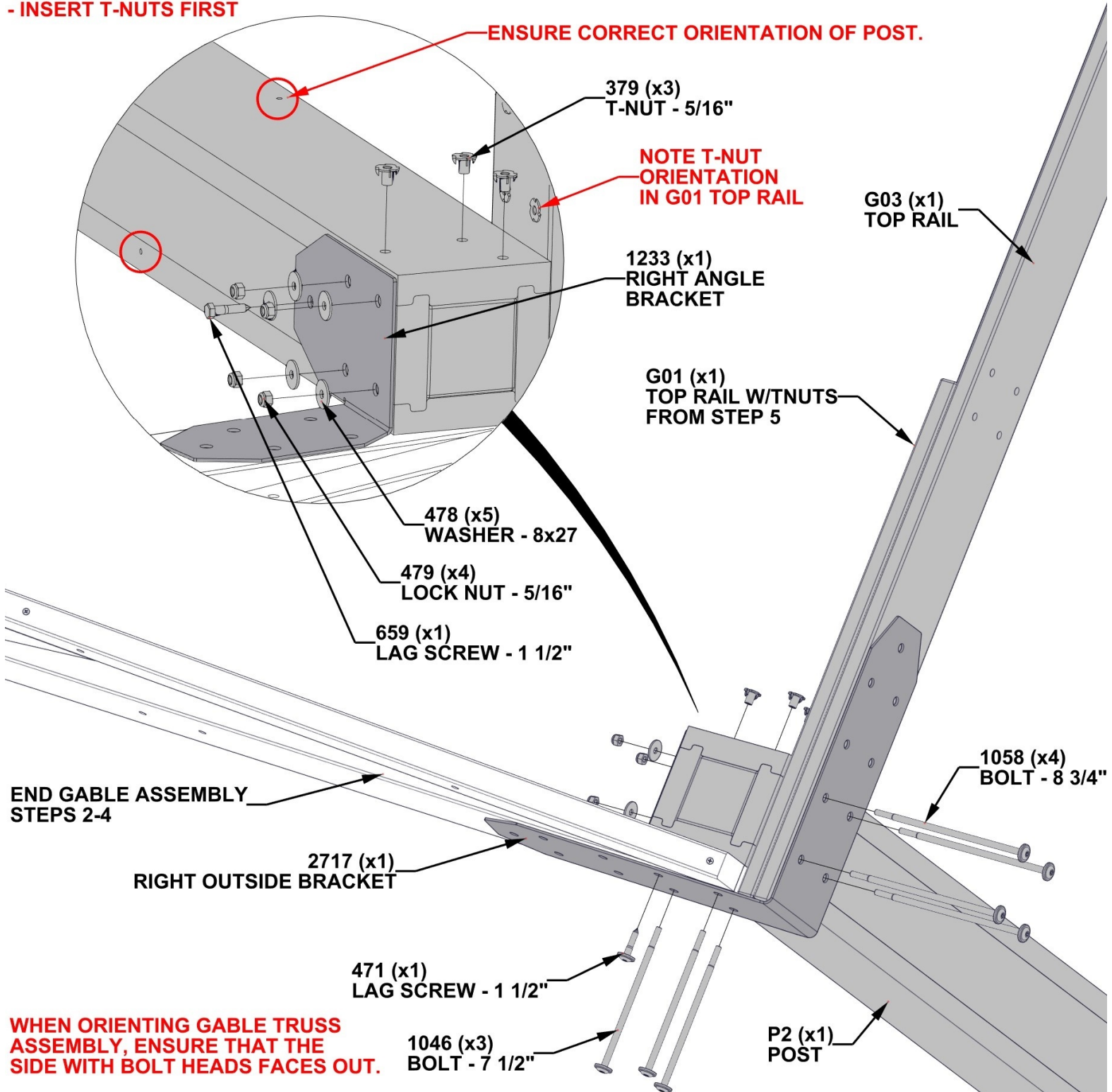


A4M01233 RIGHT ANGLE BRACKET (x1)



A4M02717 RIGHT OUTSIDE BRACKET (x1)

- INSERT T-NUTS FIRST



STEP 7B - GAZEBO ASSEMBLY

QTY	PART NUMBER	DESCRIPTION
5	H100479	NUT LOCK 5/16 BLK
5	H100478	WASHER FLAT 8x27 BLK
5	H100457	BOLT WH 5/16x2 BLK
5	H100205	BOLT WH 5/16x2 1/4 BLK

479 (x5)
LOCK NUT - 5/16"

478 (x5)
WASHER - 8x27

205 (x5)
BOLT - 2 1/4"

END GABLE ASSEMBLY
STEPS 2-4

457 (x5)
BOLT - 2"

**WHEN ORIENTING GABLE TRUSS
ASSEMBLY, ENSURE THAT THE SIDE
WITH BOLT HEADS FACES OUT.**

STEP 8 - GAZEBO ASSEMBLY

QTY	PART NUMBER	DESCRIPTION
2	H100792	LAG SCREW WH 1/4x3 BLK
2	H100405	WASHER LOCK EXT 6x15
4	H100379	TNUT-5/16" BLK
4	H100195	BOLT WH 5/16x2 3/4 BLK
4	H100198	WASHER LOCK EXT 8x19



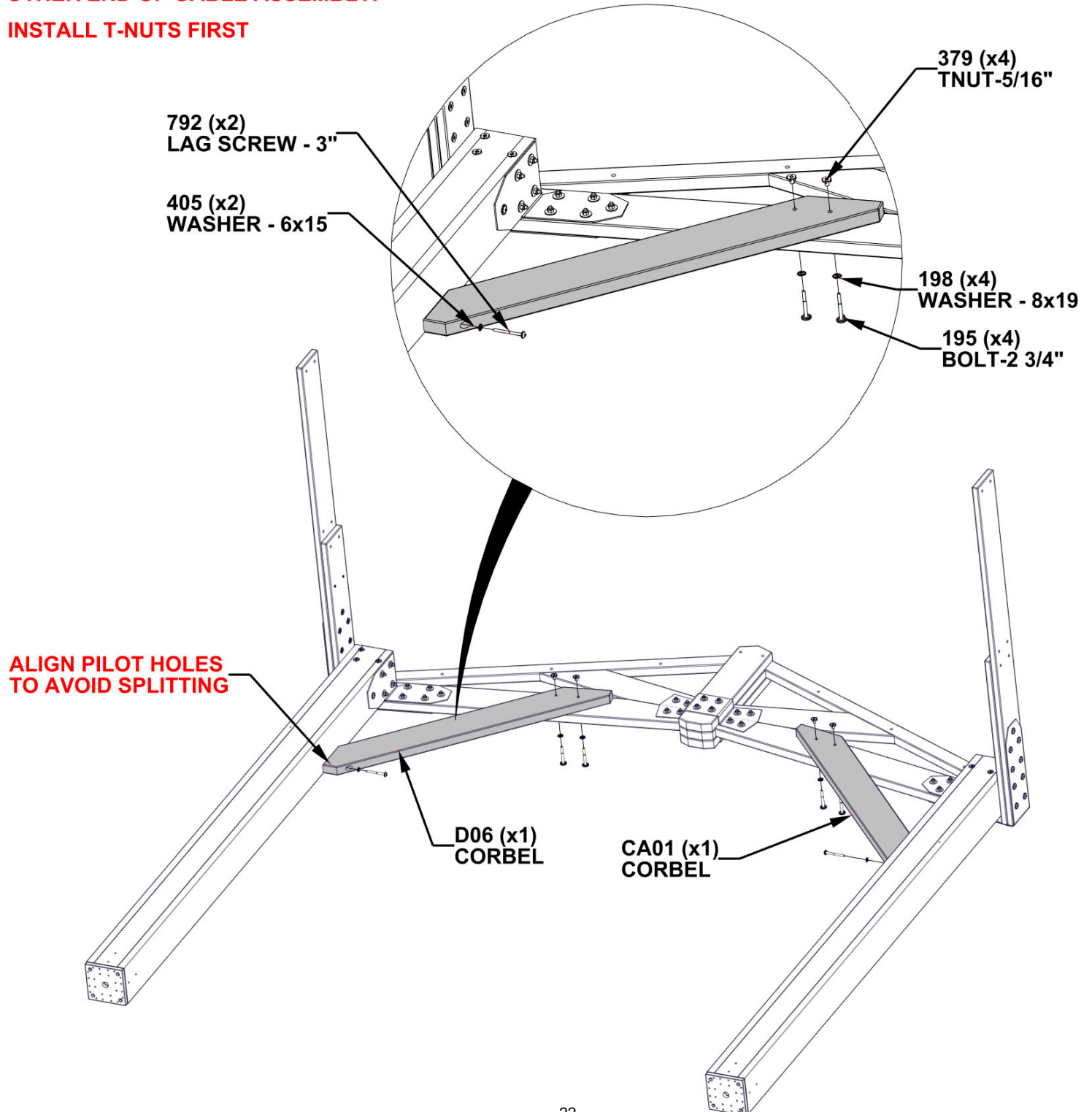
D06 CORBEL - W4L16855
(x1) 1 3/8"X5 1/4"X44 1/16" (36x134x1119)



CA01 CORBEL - W2A03504
(x1) 1 3/8"x1 3/8"x44 1/16" (36x134x1119)

TWO D06 BOARDS WILL BE USED FOR THE OTHER END OF GABLE ASSEMBLY.

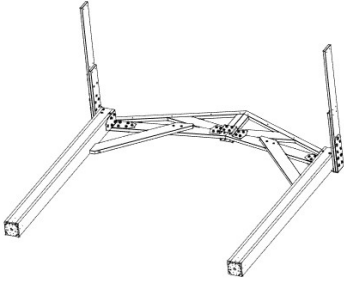
INSTALL T-NUTS FIRST



**REPEAT POST AND GABLE ASSEMBLY
STEPS 1 THROUGH 8**

STEP 9 - GAZEBO ASSEMBLY

QTY	PART NUMBER	DESCRIPTION
2	H100792	LAG SCREW WH 1/4x3 BLK
2	H100405	WASHER LOCK EXT 6x15
4	H100379	T-NUT 5/16 BLK
4	H100484	BOLT WH 5/16x3 1/4 BLK
4	H100198	WASHER LOCK EXT 8x19



POST AND GABLE ASSEMBLY FROM PREVIOUS STEP



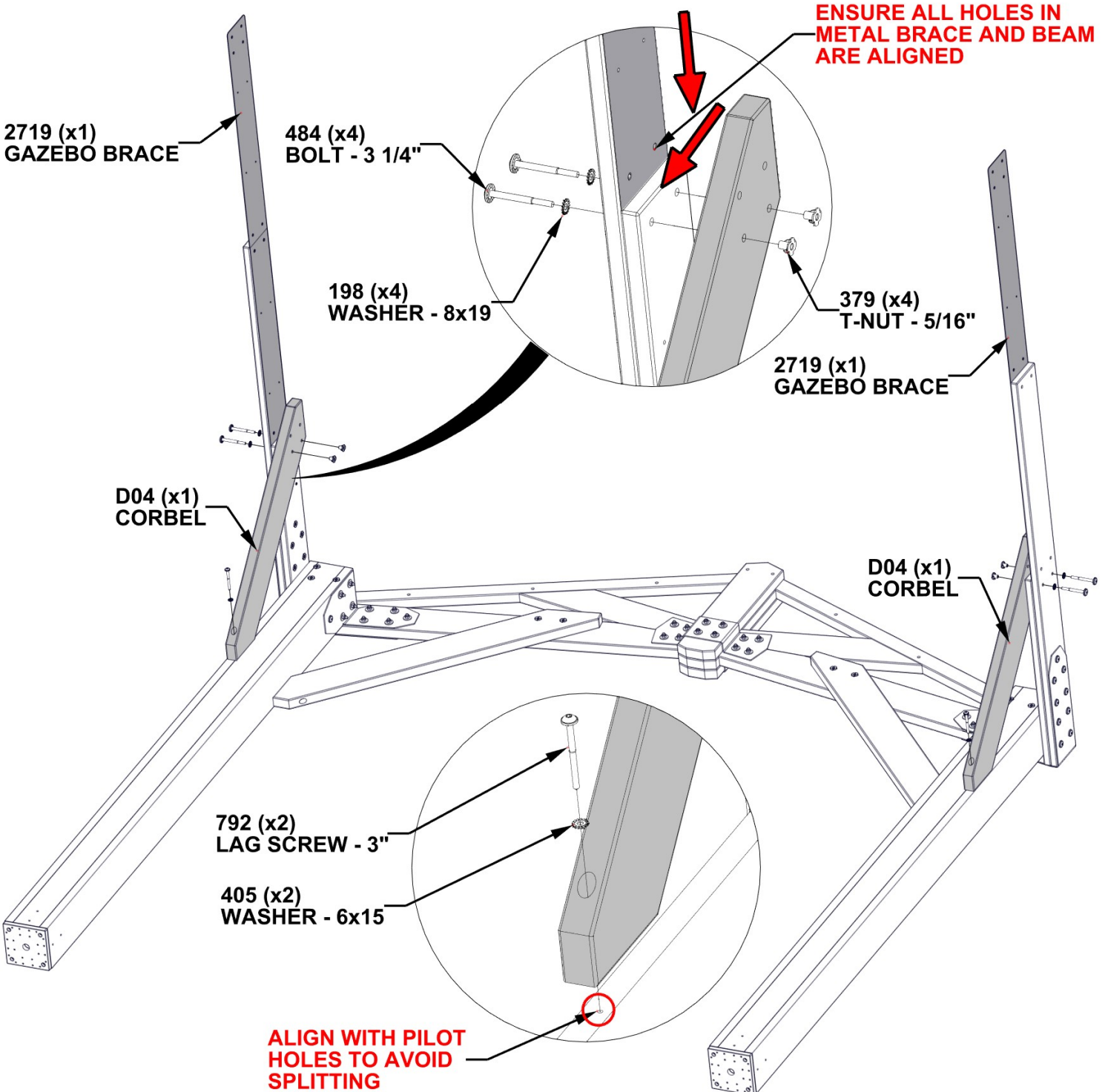
D04 CORBEL - W4L16853 (x2)
1 3/8"X5 1/4"X34 7/16" (36x134x875)



A4M02719 GAZEBO BRACE (x2)

INSTALL T-NUTS FIRST

ATTACH 2719 BRACE BY SLIDING IT IN BETWEEN WOOD TO FIRST SET OF BOLT HOLES.



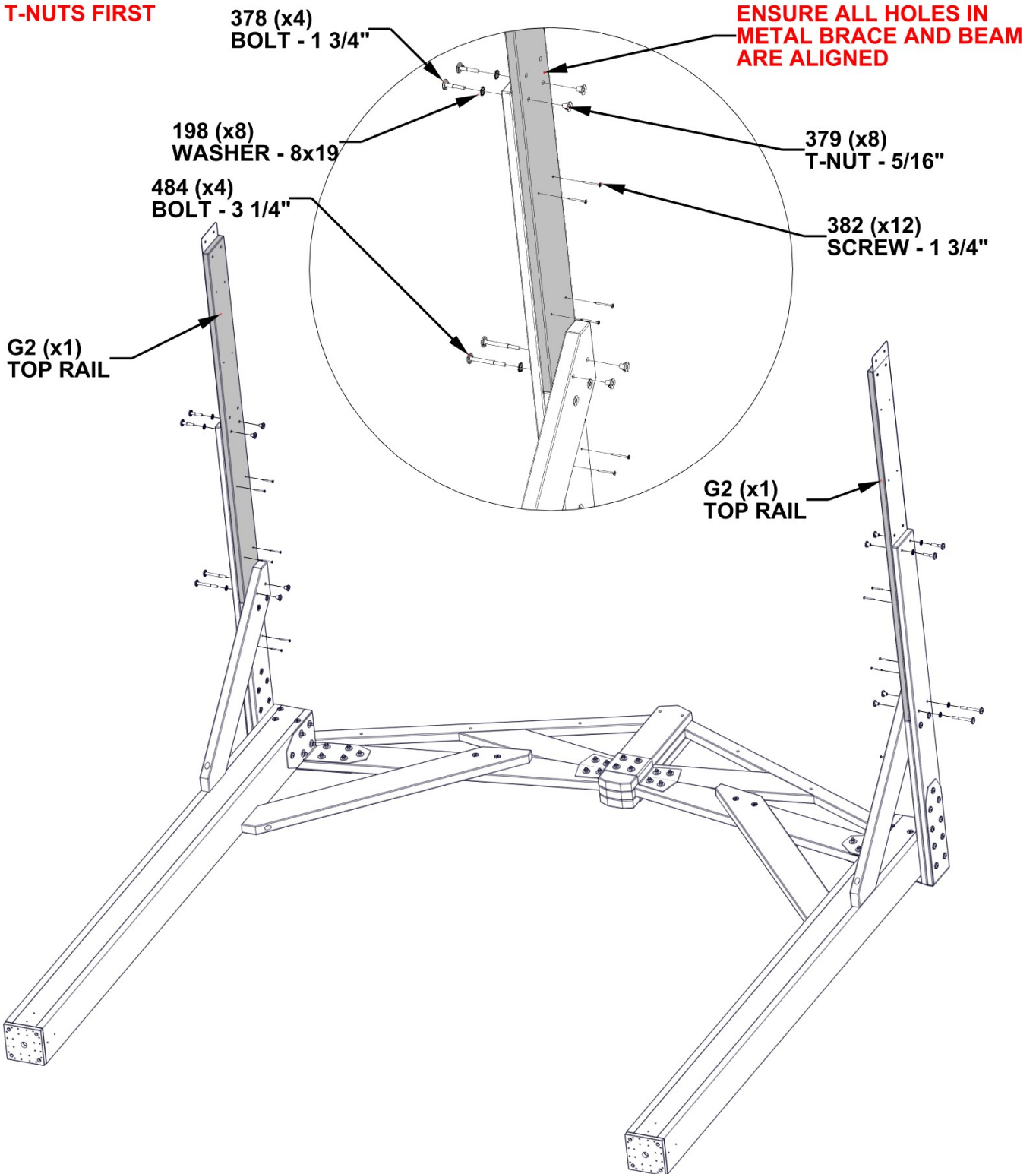
STEP 10 - GAZEBO ASSEMBLY

QTY	PART NUMBER	DESCRIPTION
4	H100484	BOLT WH 5/16x3 1/4 BLK
4	H100378	BOLT WH 5/16x1 3/4 BLK
8	H100198	WASHER LOCK EXT 8x19
8	H100379	T-NUT 5/16 BLK
12	H100382	SCREW PFH 8x1 3/4 BLK



G2 TOP RAIL - W4L19512
 (x2) 15/16"x5 1/4"x59 1/16" (24x134x1500)

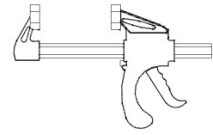
INSTALL T-NUTS FIRST



STEP 11 - GAZEBO ASSEMBLY

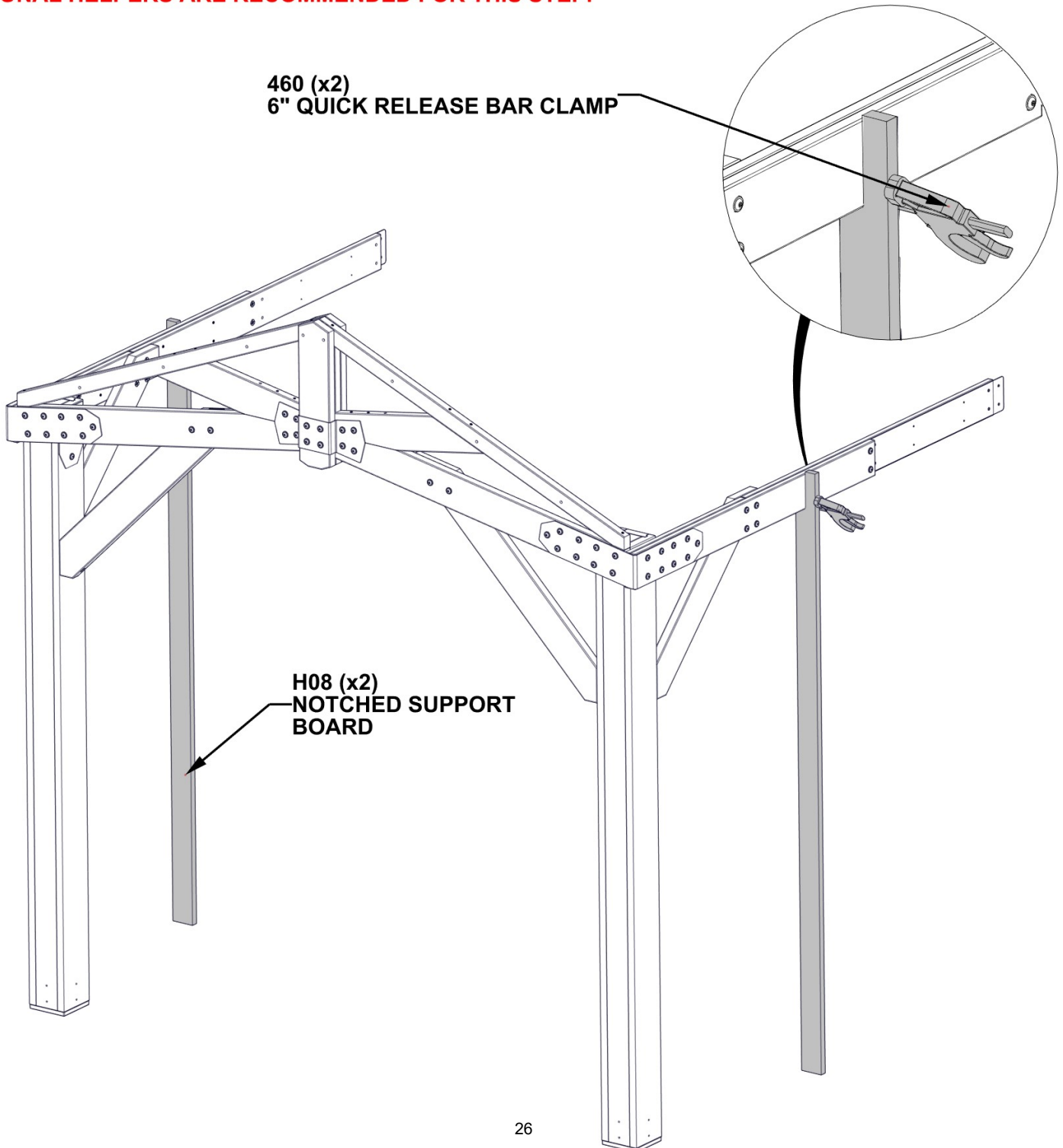


H08 NOTCHED SUPPORT BOARD - W4L16915
(x2) 1"X3 3/8"X89 1/2" (24x86x2274)



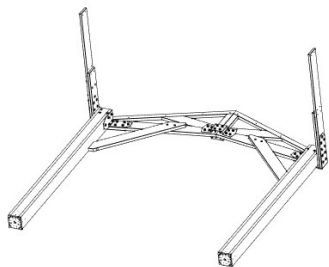
A6P00460 6" QUICK RELEASE BAR CLAMP
(x2)

USING THE INCLUDED CLAMPS AND H08 BOARDS, STAND UP ONE GABLE END AND SECURELY CLAMP AS SHOWN. ADDITIONAL HELPERS ARE RECOMMENDED FOR THIS STEP.



STEP 12 - GAZEBO ASSEMBLY

QTY	PART NUMBER	DESCRIPTION
2	H100792	LAG SCREW WH 1/4x3 BLK
2	H100405	WASHER LOCK EXT 6x15
4	H100378	BOLT WH 5/16x1 3/4 BLK
8	H100484	BOLT WH 5/16x3 1/4 BLK
12	H100379	T-NUT 5/16 BLK
12	H100198	WASHER LOCK EXT 8x19
12	H100382	SCREW PFH 8x1 3/4 BLK



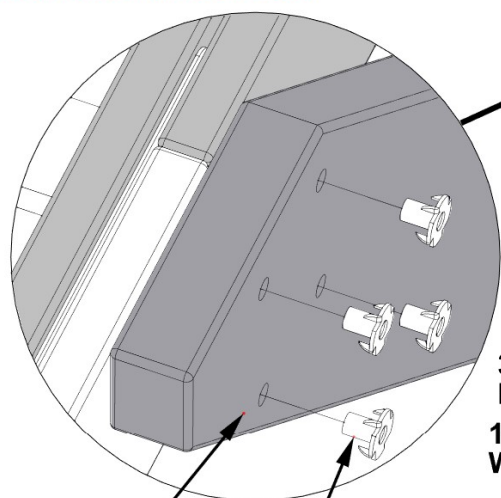
POST AND GABLE ASSEMBLY FROM PREVIOUS STEPS



D04 CORBEL - W4L16853
(x2) 1 3/8"X5 1/4"X34 7/16" (36x134x875)

STAND UP OTHER GABLE END AND ATTACH HARDWARE AS SHOWN. ONCE ALL HARDWARE IS SECURELY ATTACHED, REMOVED CLAMPS AND H08 BOARDS.

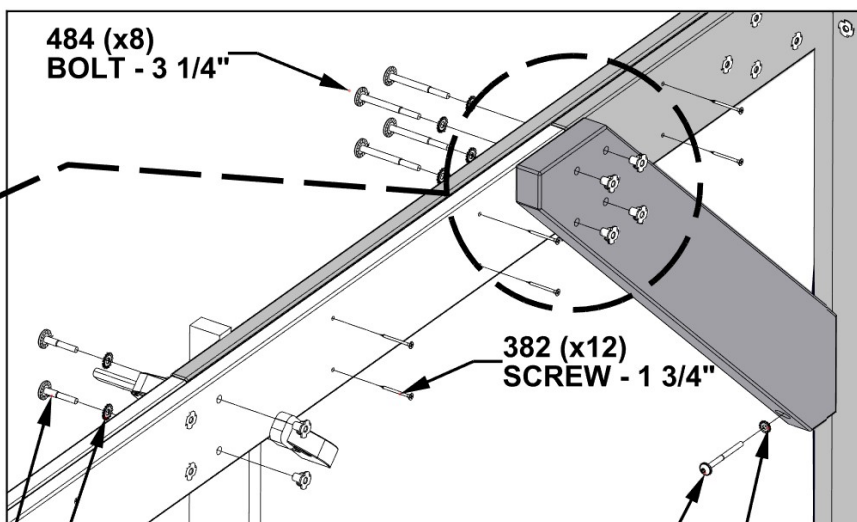
INSTALL T-NUTS FIRST



CORBEL

379 (x12)
T-NUT - 5/16"

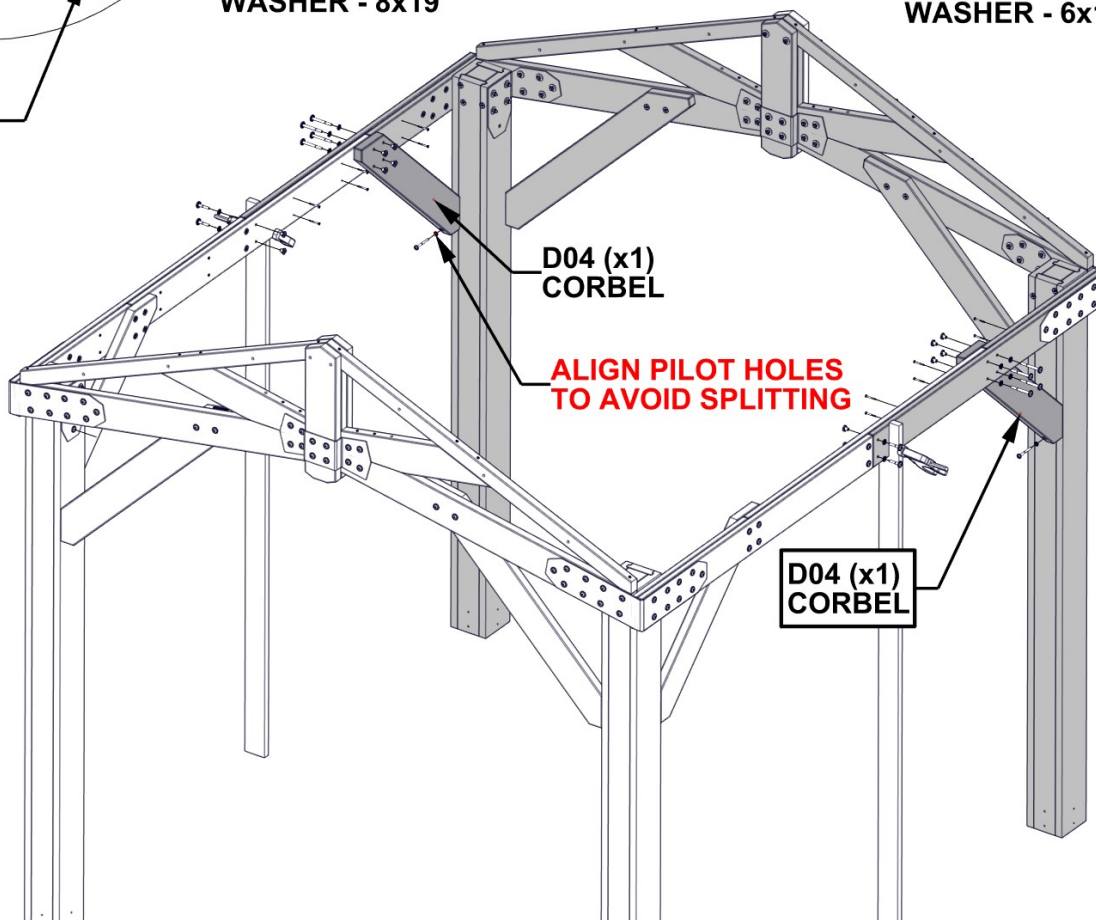
378 (x4)
BOLT - 1 3/4"
198 (x12)
WASHER - 8x19



484 (x8)
BOLT - 3 1/4"

382 (x12)
SCREW - 1 3/4"

792 (x2)
LAG SCREW - 3"
405 (x2)
WASHER - 6x15



D04 (x1)
CORBEL

ALIGN PILOT HOLES TO AVOID SPLITTING

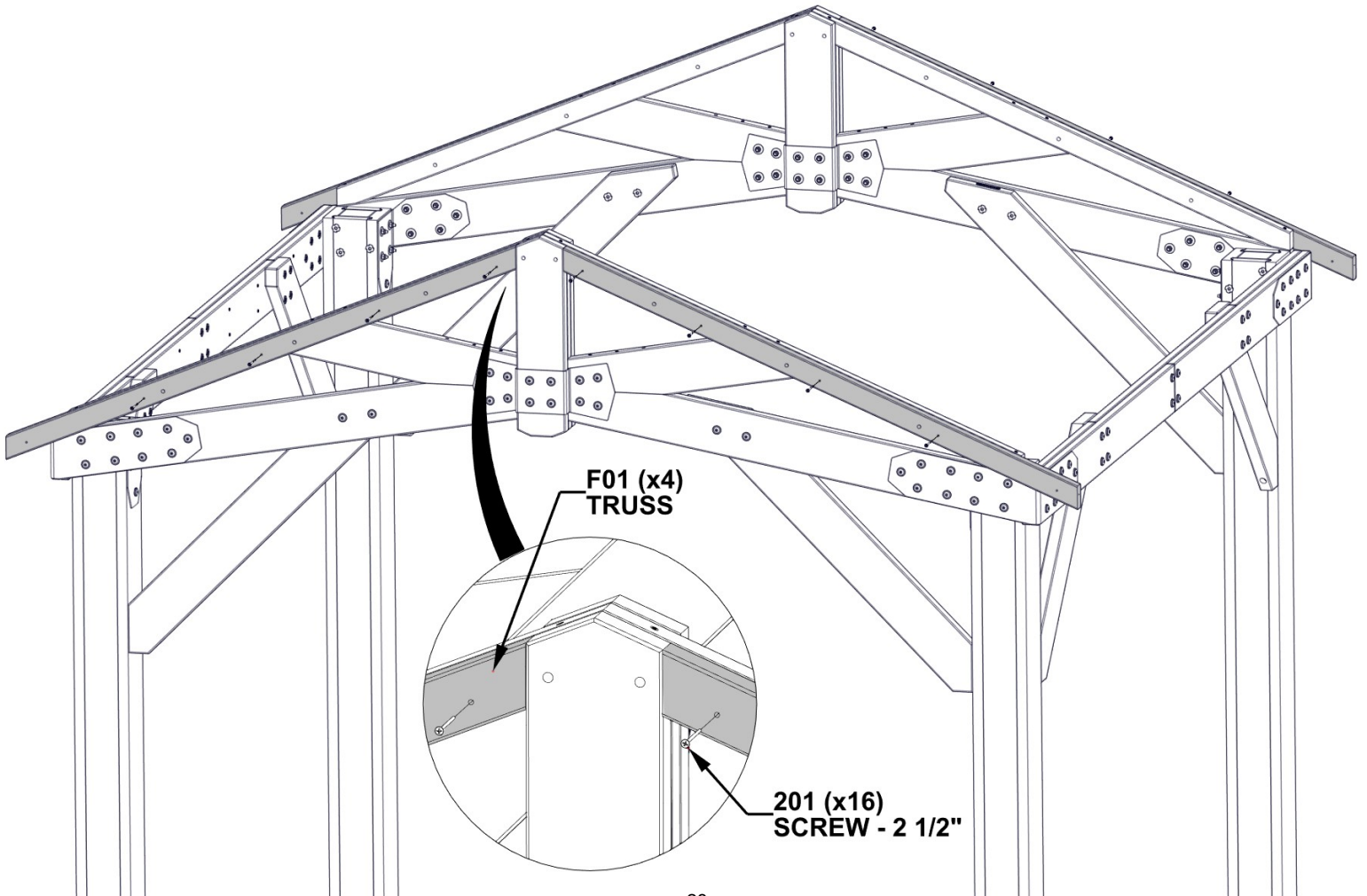
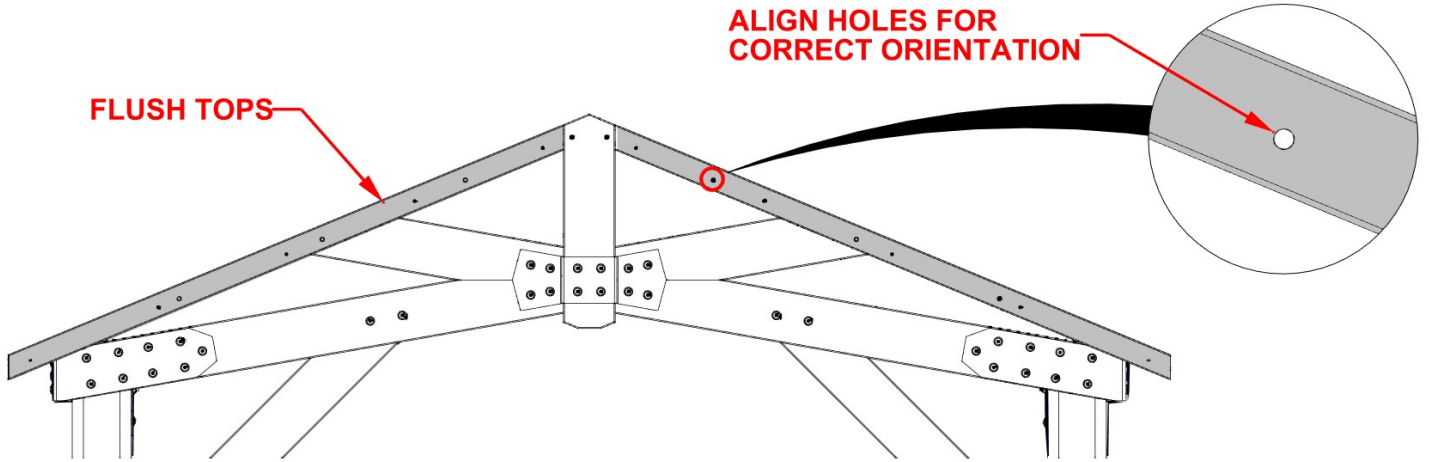
D04 (x1)
CORBEL

STEP 13 - GAZEBO ASSEMBLY

QTY	PART NUMBER	DESCRIPTION
16	H100201	SCREW PFH 8x2 1/2 BLK



F01 TRUSS - W4L17203
(x4) 1 7/16"x2 3/8"x62 1/16" (36x60x1576)



STEP 14 - GAZEBO ASSEMBLY

QTY	PART NUMBER	DESCRIPTION
4	H100201	SCREW PFH 8x2 1/2 BLK
12	H100564	LAG SCREW WH 1/4x4 BLK
12	H100405	WASHER LOCK EXT 6x15

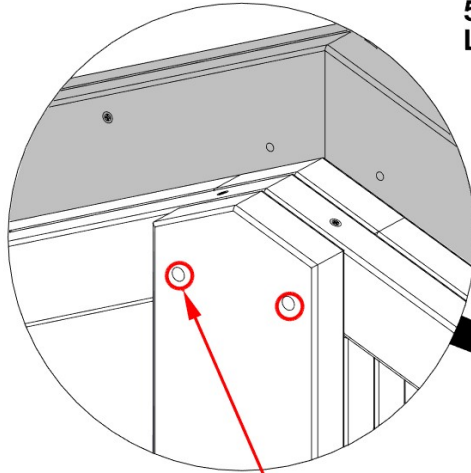


GP1 GABLE PANEL - W2A03515
(x2) 2 13/16"x5 1/4"x67 3/16" (72x134x1706)

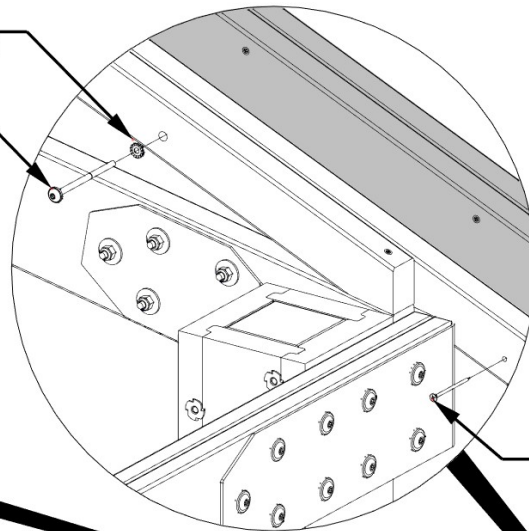


GP2 GABLE PANEL - W2A03516
(x2) 2 13/16"x5 1/4"x67 3/16" (72x134x1706)

- ALIGN LAG SCREWS WITH PILOT HOLES IN GABLE PANELS



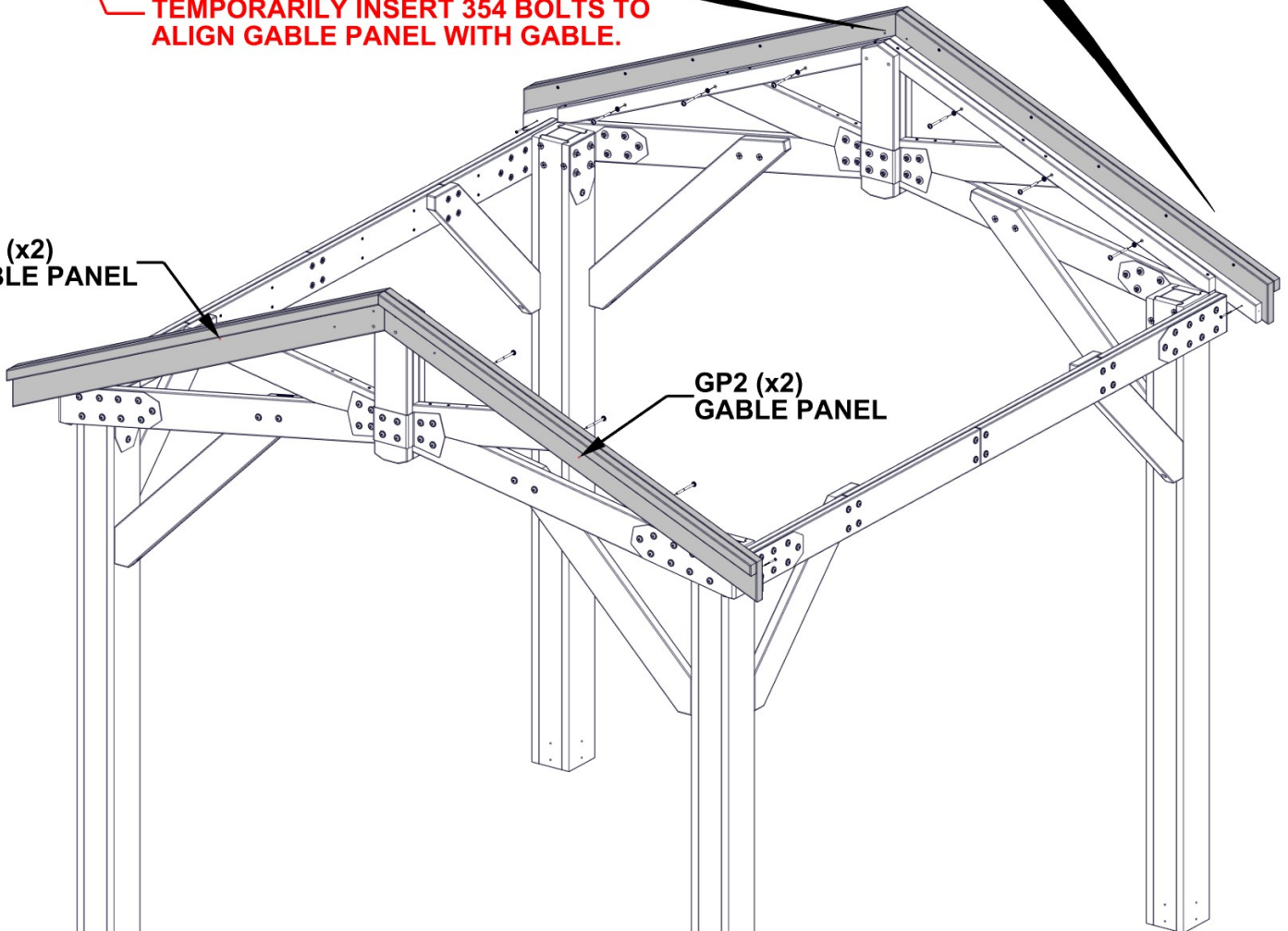
405 (x12)
WASHER - 6x15
564 (x12)
LAG SCREW - 4"



201 (x4)
SCREW - 2 1/2"

TEMPORARILY INSERT 354 BOLTS TO ALIGN GABLE PANEL WITH GABLE.

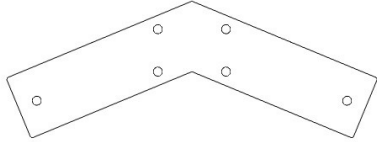
GP1 (x2)
GABLE PANEL



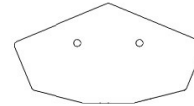
GP2 (x2)
GABLE PANEL

STEP 15 - GAZEBO ASSEMBLY

QTY	PART NUMBER	DESCRIPTION
4	H100200	SCREW PFH 8x1 1/2 BLK
8	H100471	LAG SCREW WH 5/16x1 1/2 BLK

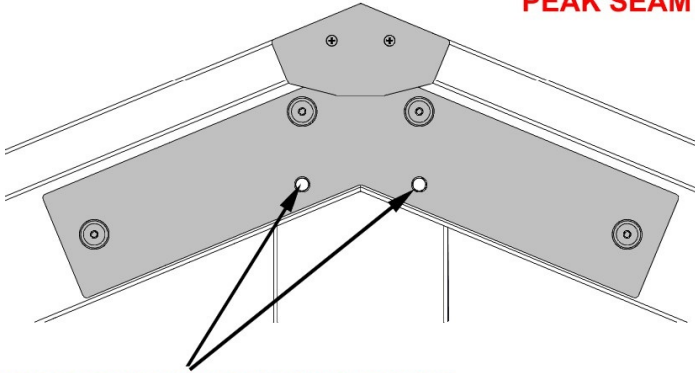


A4M01130 GABLE
(x2) BRACKET



A4M01147 PEAK SEAM
(x2) BRACKET

FRONT VIEW



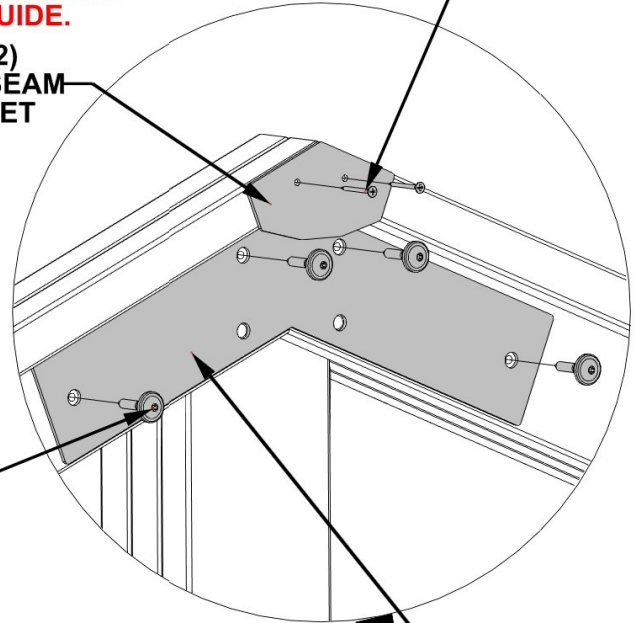
PRE-DRILL 1/8" (3mm) PILOT HOLES FOR SCREWS USING PEAK SEAM AS A GUIDE.

**1147 (x2)
PEAK SEAM
BRACKET**

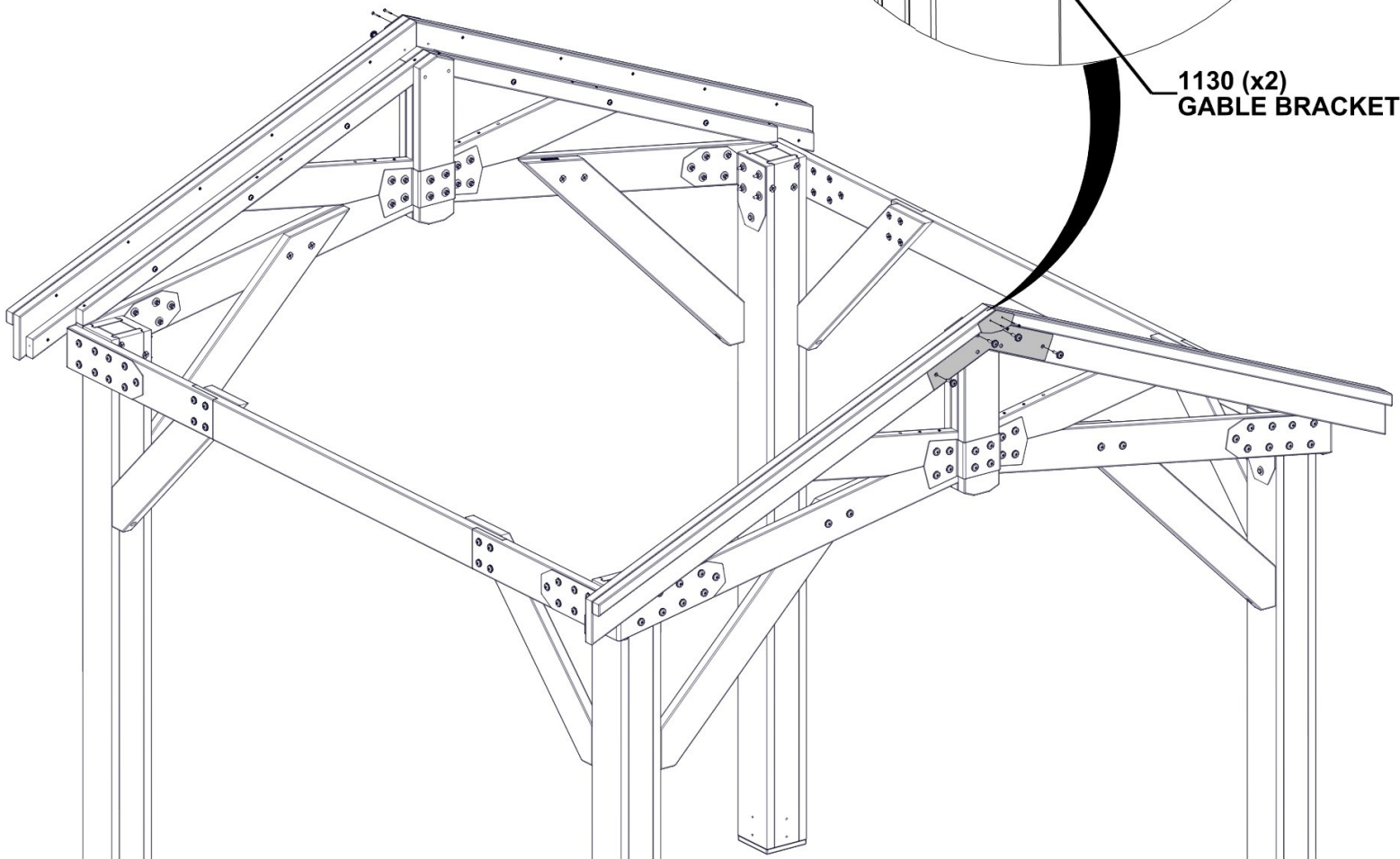
TEMPORARILY ADD LONG BOLTS TO HELP ALIGN WOOD PARTS.

**471 (x8)
LAG SCREW - 1 1/2"**

**200 (x4)
SCREW - 1 1/2"**



**1130 (x2)
GABLE BRACKET**



STEP 16 - ROOF PANEL ASSEMBLY

QTY	PART NUMBER	DESCRIPTION
16	H100391	SCREW PFH 8x2 BLK



E01 RAFTER - W4L19650
(x2) 1 7/16"x3 3/8"x64 5/16" (36x86x1634)



H04 FASCIA - W4L17208
(x1) 15/16"x3 3/8"x73 1/4" (24x86x1860)



H06 RIDGE - W4L19646
(x1) 15/16"x3 3/8"x69" (24x86x1752)



E02 RAFTER - W4L19651
(x2) 1 7/16"x3 3/8"x64 5/16" (36x86x1634)

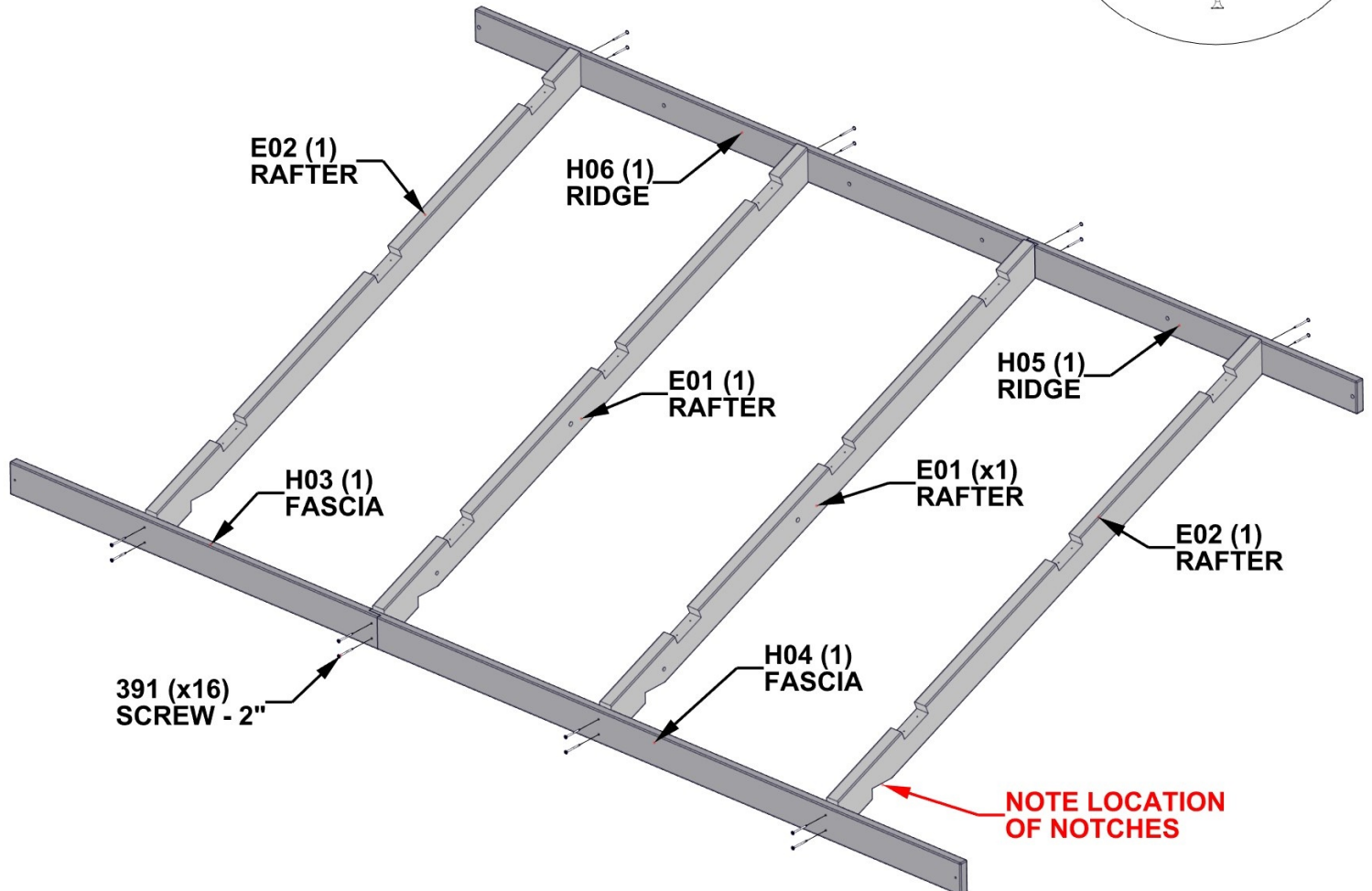
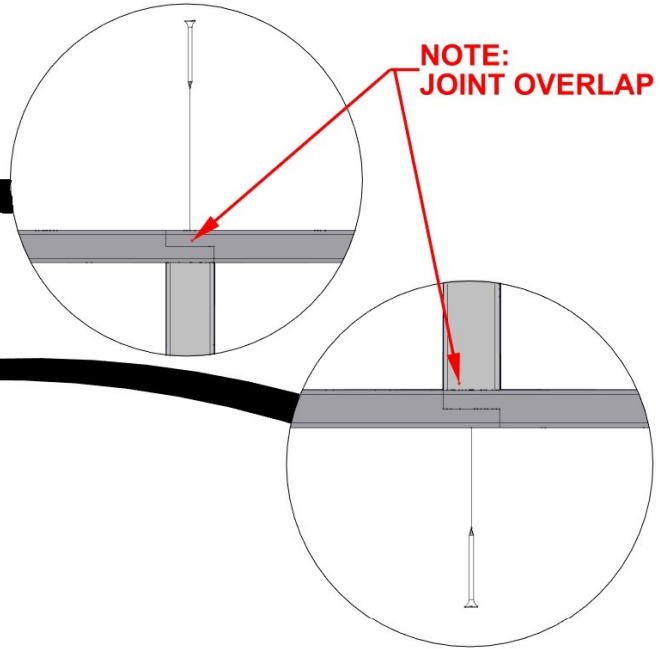
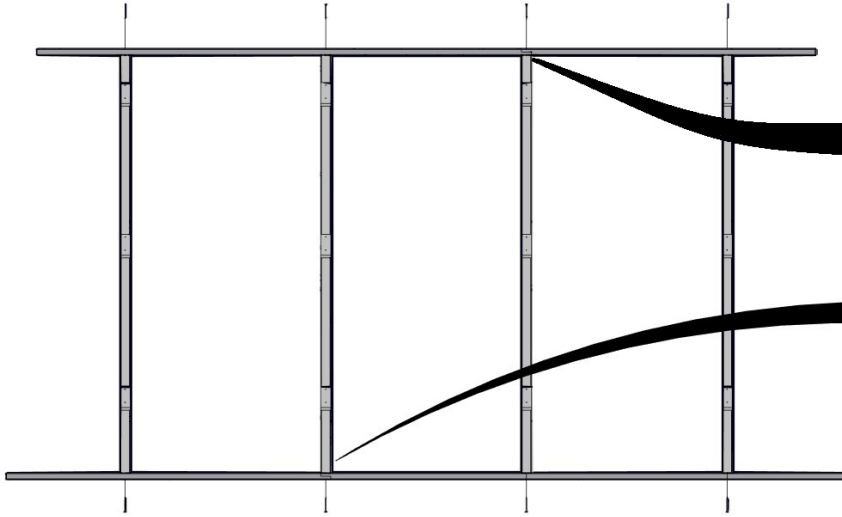


H03 FASCIA - W4L17207
(x1) 15/16"x3 3/8"x45 1/4" (24x86x1150)



H05 RIDGE - W4L19647
(x1) 15/16"x3 3/8"x41" (24x86x1042)

ROOF PANEL A



NOTE LOCATION OF NOTCHES

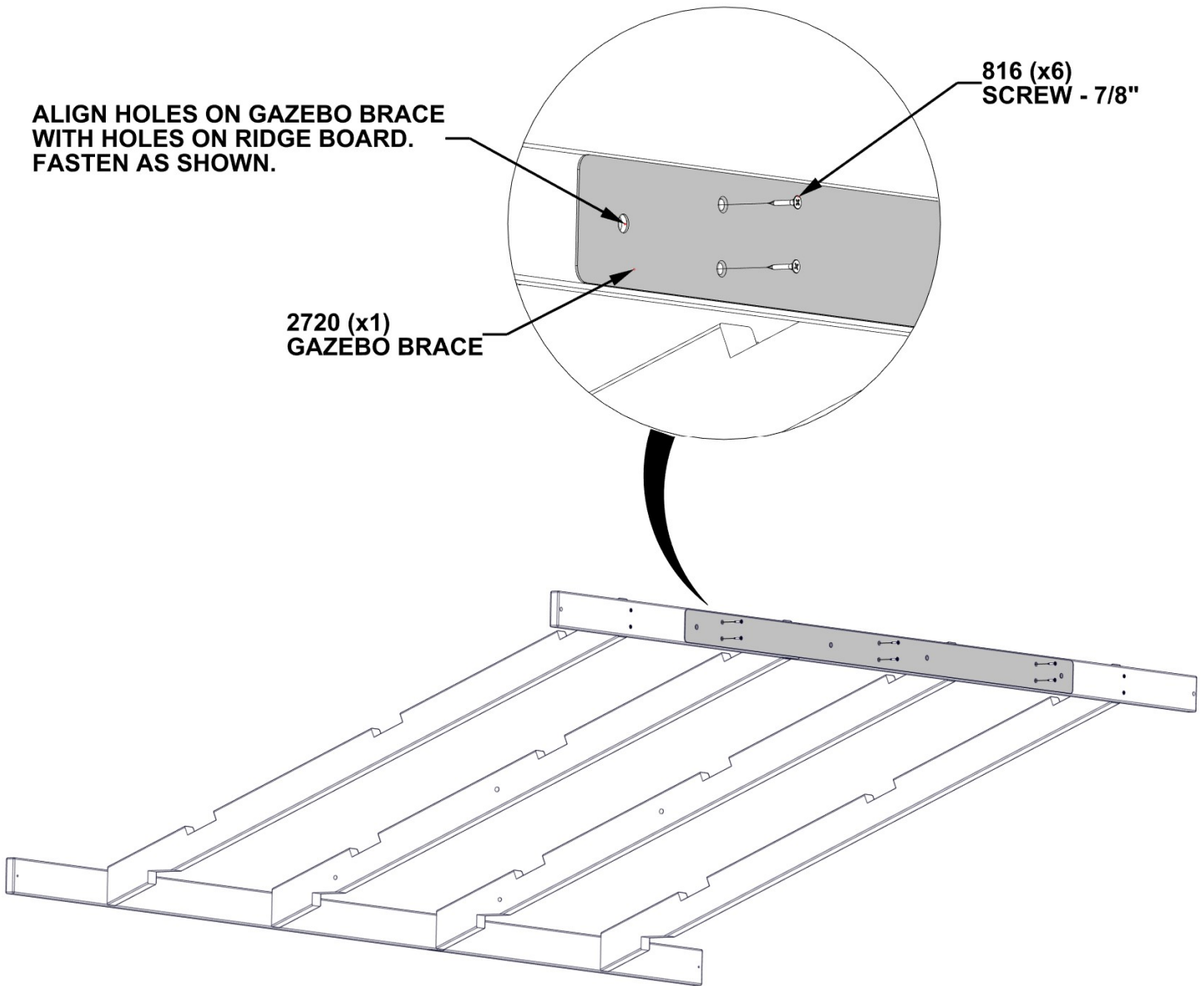
STEP 17 - ROOF PANEL ASSEMBLY

QTY	PART NUMBER	DESCRIPTION
6	H100816	SCREW PFH 8x7/8 BLK



A4M02720 GAZEBO BRACE
(x1)

ROOF PANEL A



STEP 18A - ROOF PANEL ASSEMBLY

QTY	PART NUMBER	DESCRIPTION
24	H100391	SCREW PFH 8x2 BLK



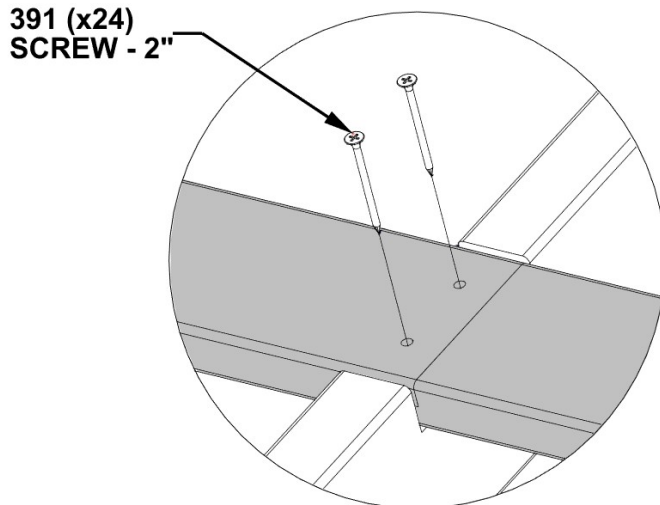
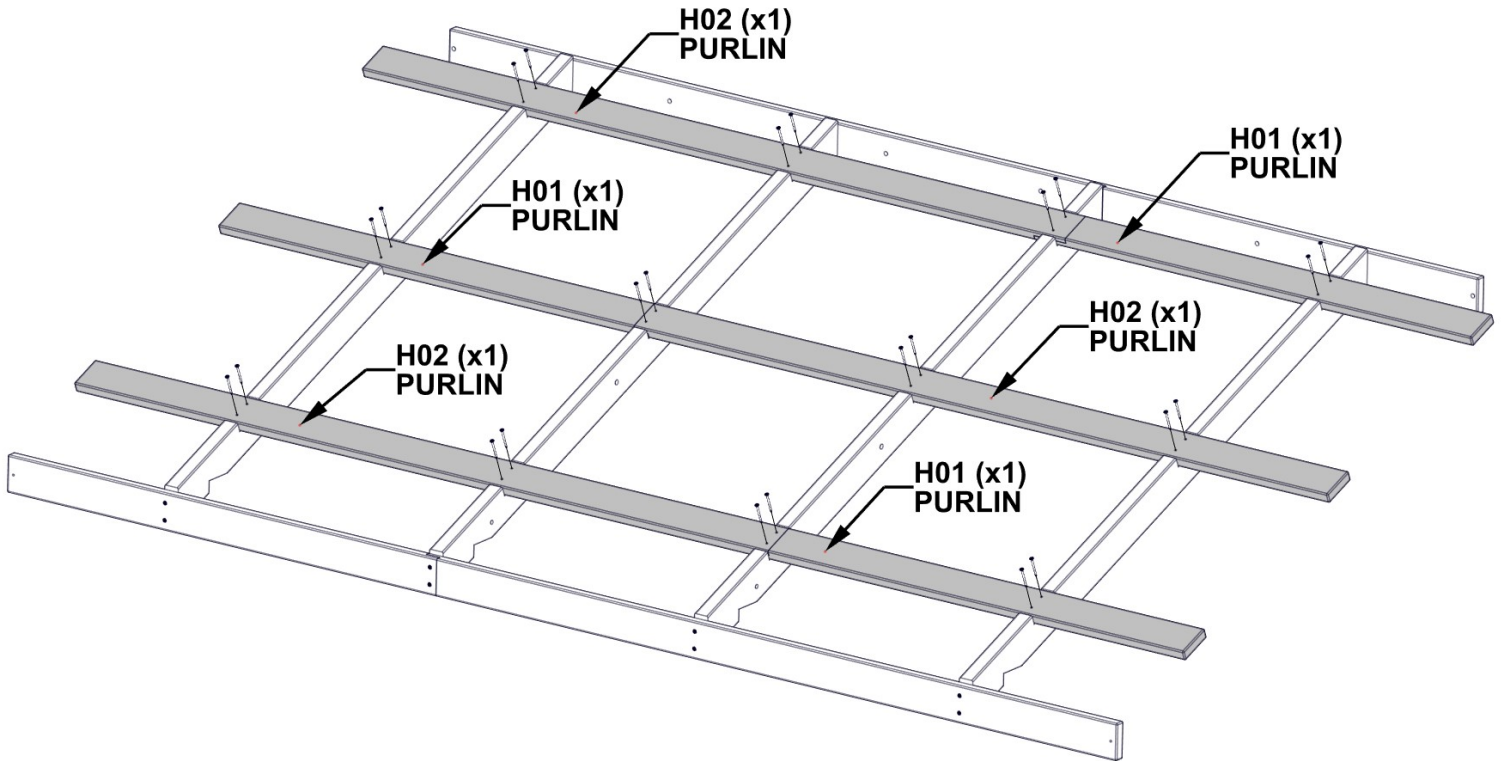
H01 PURLIN - W4L17205
(x3) 15/16"x3 3/8"x46 1/4" (24x86x1175)



H02 PURLIN - W4L17206
(x3) 15/16"x3 3/8"x74 3/16" (24x86x1885)

ROOF PANEL A

- DO NOT FULLY TIGHTEN SCREWS.
- ALIGN HOLES IN EACH PURLIN WITH PILOT HOLES IN RAFTERS

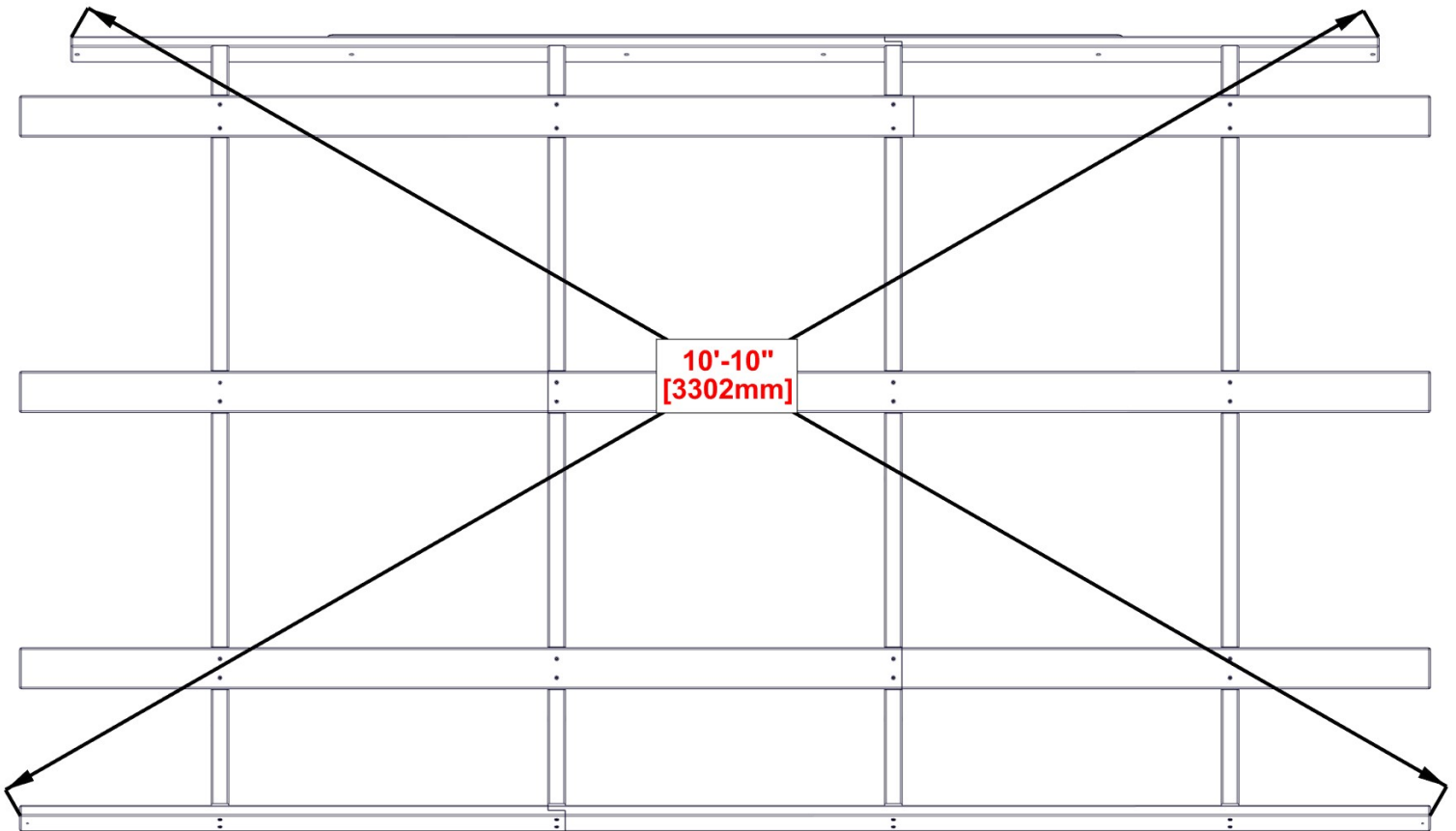


STEP 18B - ROOF PANEL ASSEMBLY

ROOF PANEL A

CRITICAL:

- SQUARE UNIT BEFORE PROCEEDING TO NEXT STEPS.
- THE BELOW DIMENSIONS ARE CRITICAL TO THE FINAL ROOF ASSEMBLY.
- MEASUREMENTS SHOULD BE HELD WITHIN +/- 1/4" (6mm).
- MEASUREMENTS OUTSIDE OF TOLERANCE WILL LEAD TO THE INABILITY TO ASSEMBLE THE ROOF.



ONCE PANEL IS SQUARED, FULLY TIGHTEN SCREWS.

STEP 19 - ROOF PANEL ASSEMBLY

ROOF PANEL A

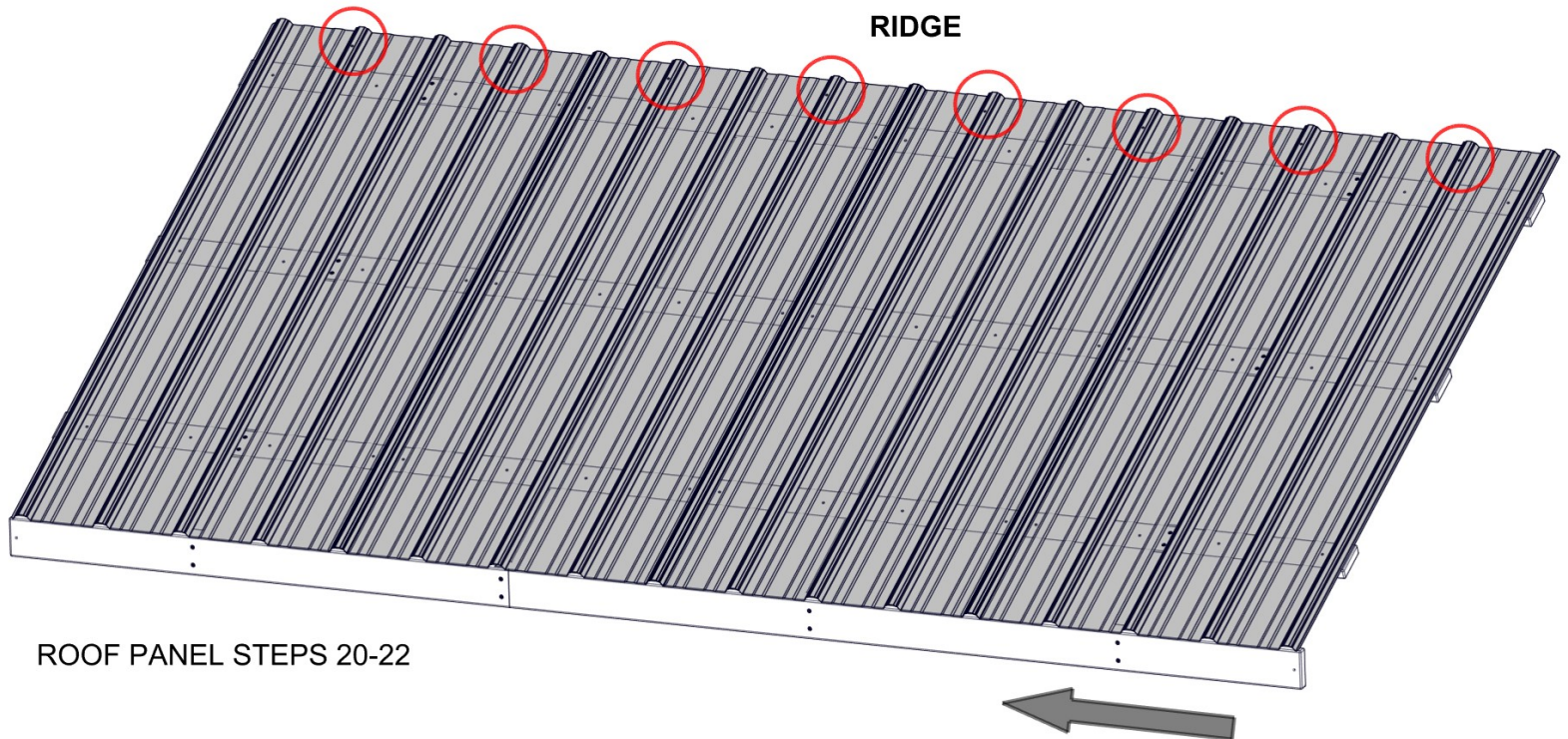
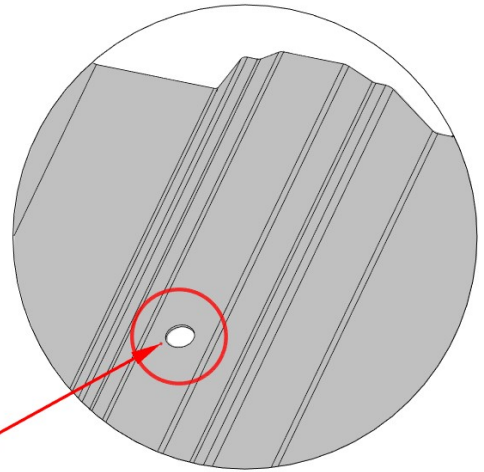
USE THIS PAGE TO FAMILIARIZE YOURSELF WITH THE ROOF PANEL AND ASSIST YOU IN STEPS 20-22.

TIPS:

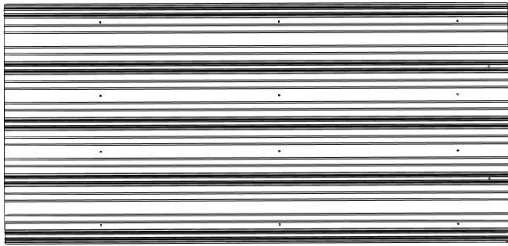
- REMOVE PROTECTIVE BLUE FILM.
- START AT THE END INDICATED AND ASSEMBLE IN THE DIRECTION OF THE ARROW.

GLOVES SHOULD BE WORN WHEN HANDLING ROOF PANELS: EDGES ARE SHARP.

THE PRE-DRILLED HOLES ON EACH PANEL SHOULD ALWAYS BE POSITIONED ON THE RIDGE SIDE.

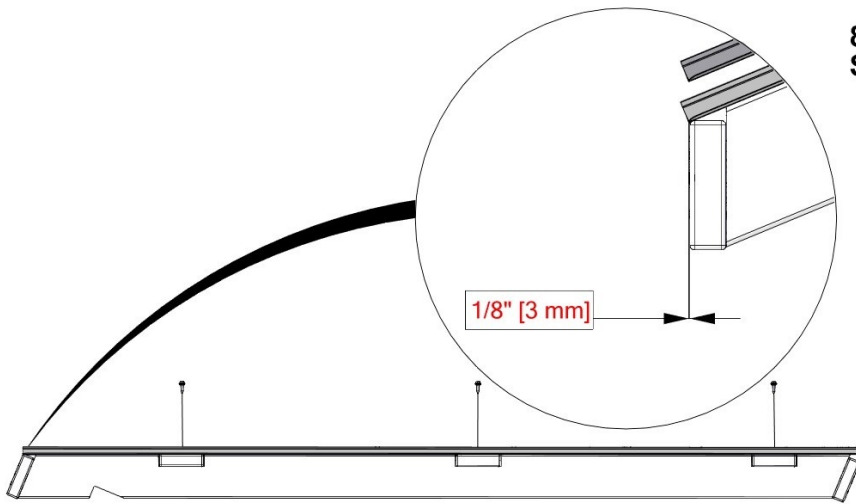


STEP 20 - ROOF PANEL ASSEMBLY



A4M02807 29GA STEEL SHEETING
(x2)

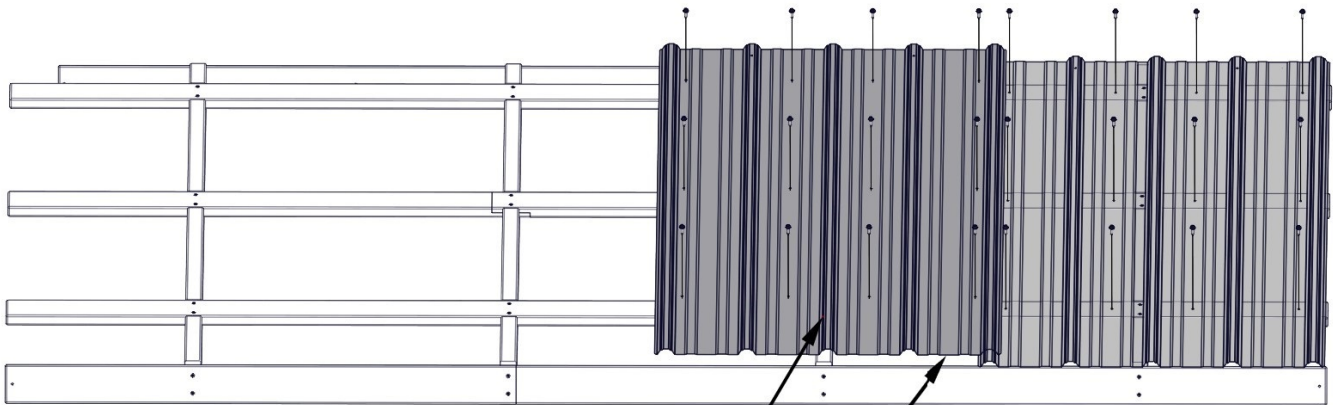
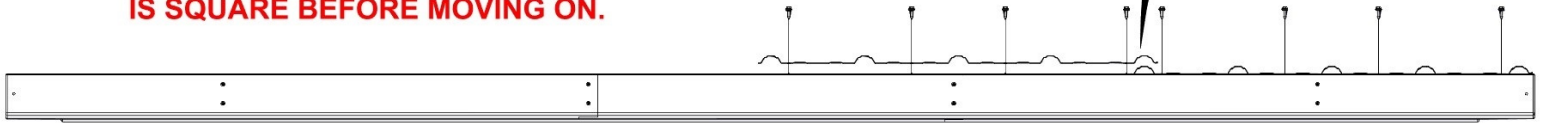
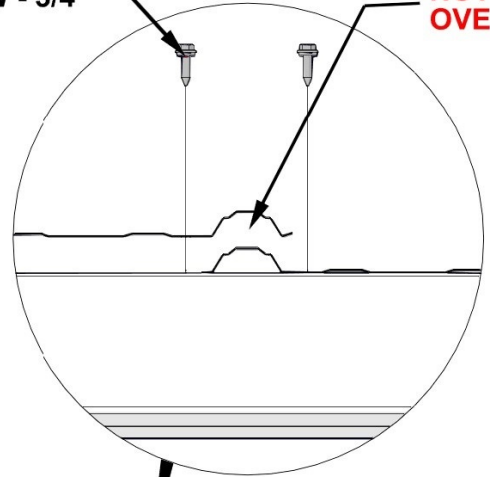
QTY	PART NUMBER	DESCRIPTION
24	H100833	SCREW WOODGRIP 10-16x3/4"



MAKE SURE YOUR ROOF PANEL IS SQUARE BEFORE MOVING ON.

833 (x24)
SCREW - 3/4"

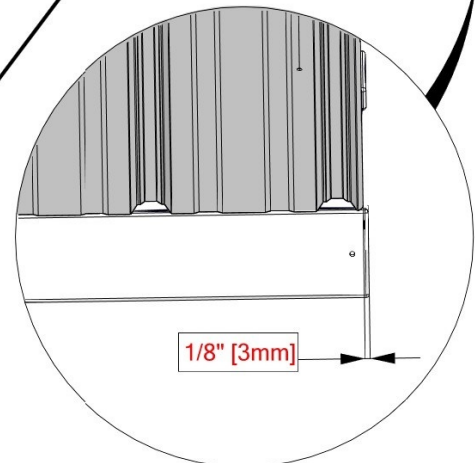
NOTE: RIB OVERLAP



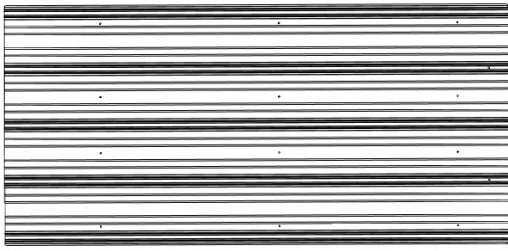
2807 (x2)
29GA STEEL SHEETING

FLUSH ENDS OF SHEETS

HOLD SHEETING INSIDE OF FRAME MEASURING FROM RIB AS SHOWN.

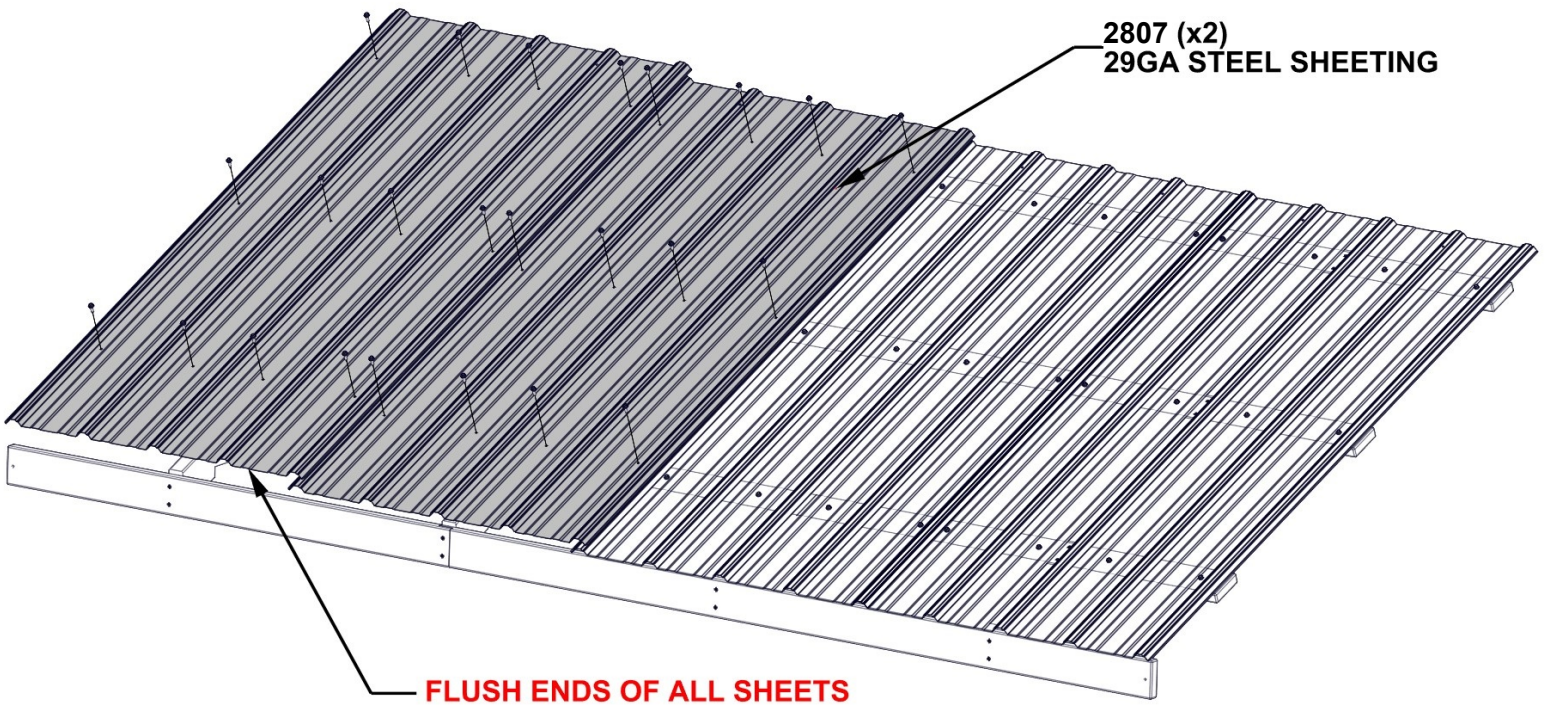
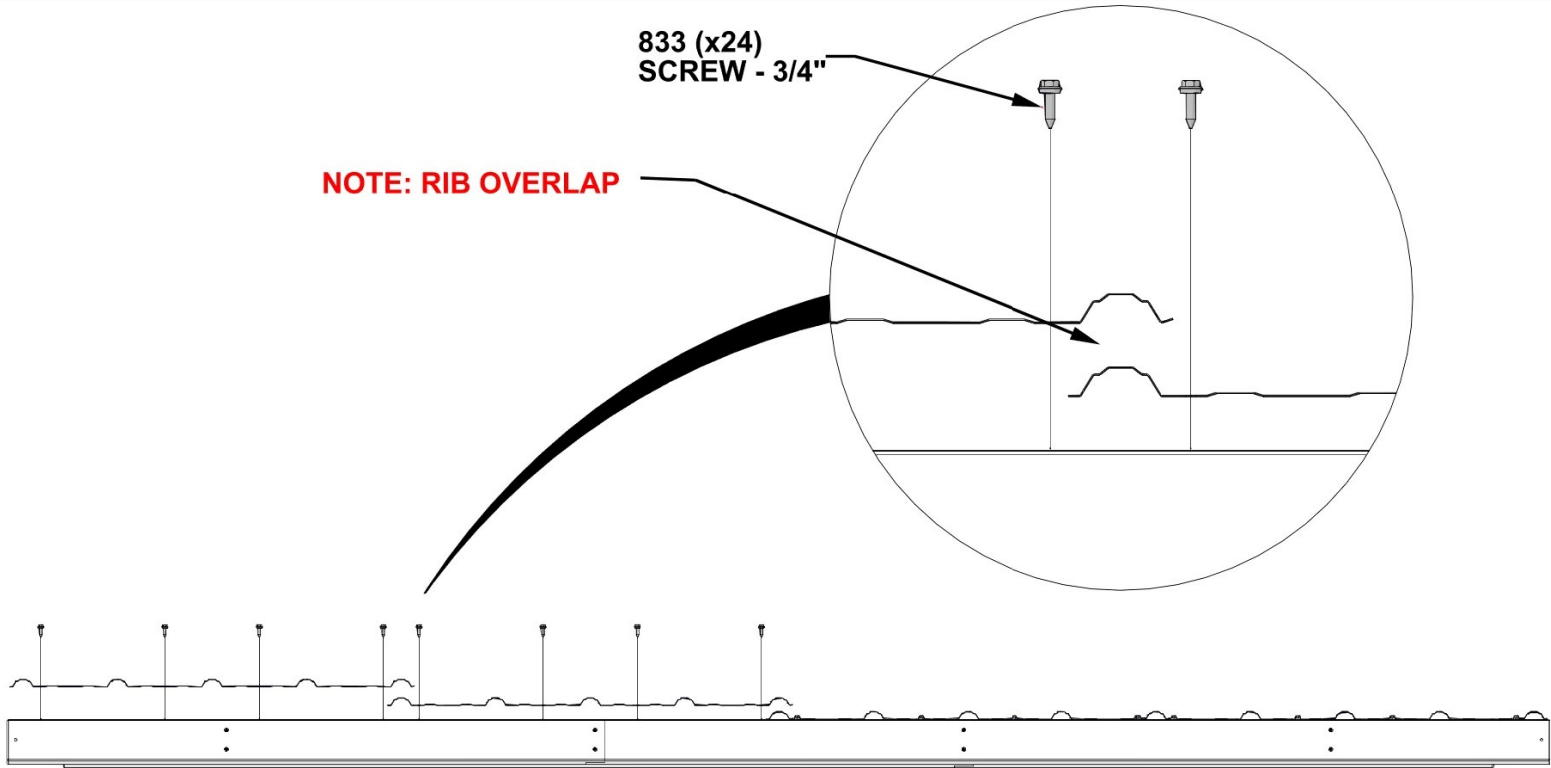


STEP 21 - ROOF PANEL ASSEMBLY



A4M02807 29GA STEEL SHEETING
(x2)

QTY	PART NUMBER	DESCRIPTION
24	H100833	SCREW WOODGRIP 10-16x3/4"



STEP 22 - ROOF PANEL ASSEMBLY


 A4M02638 ROOF EDGE TRIM SPLICE
 (x1)

QTY	PART NUMBER	DESCRIPTION
8	H100759	SCREW SELF TAPPING 1/4x1



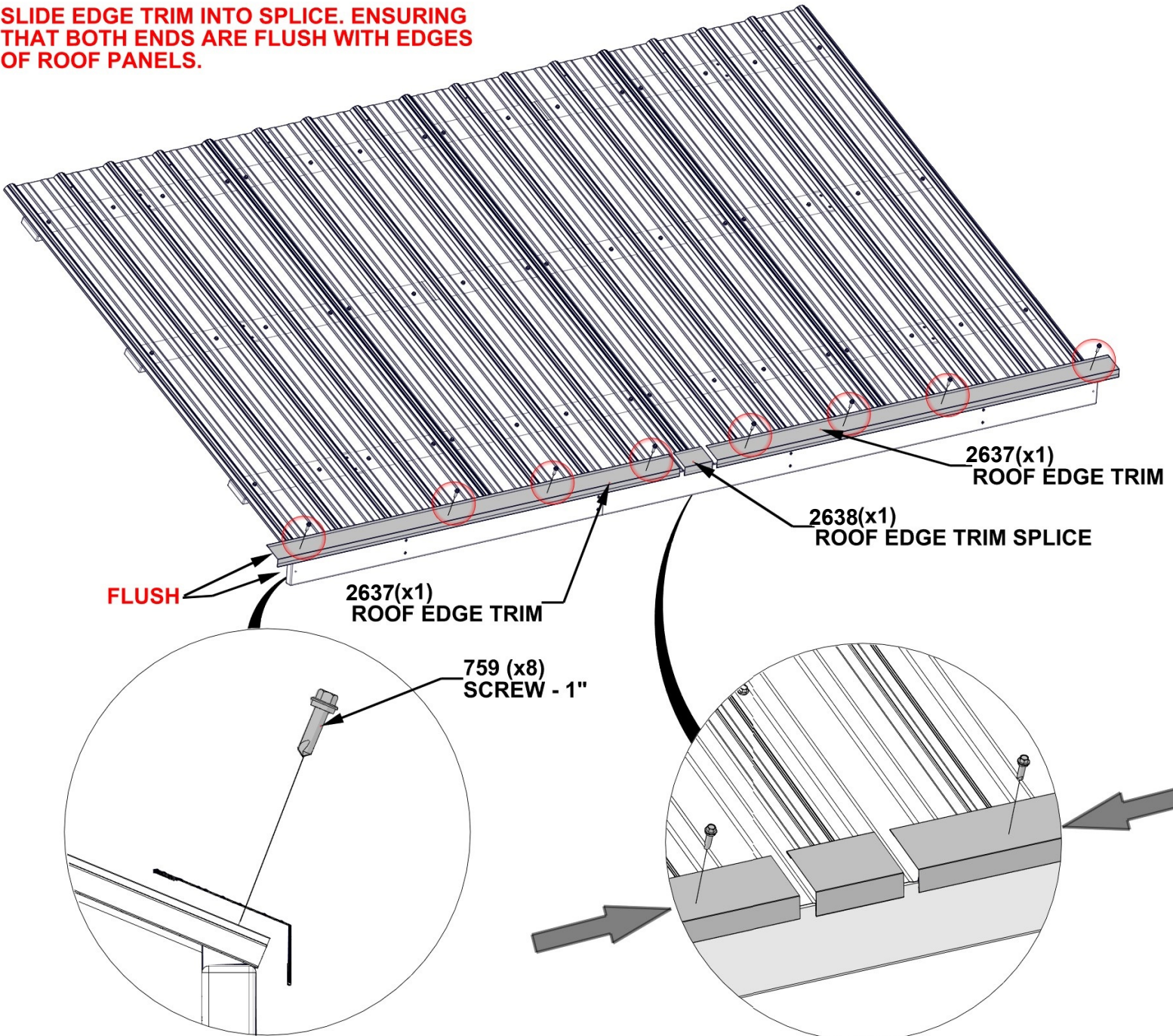
A4M02637 ROOF EDGE TRIM
 (x2)

DUE TO MULTIPLE LAYERS OF METAL ON THE EDGE TRIM, IT IS RECOMMENDED THAT A 1/8" DRILL BIT IS USED TO CREATE STARTER HOLES.

SCREWS GO THROUGH EDGE TRIM INTO THE TOP OF THE RIBS IN THE APPROXIMATE LOCATIONS SHOWN.



SLIDE EDGE TRIM INTO SPLICE. ENSURING THAT BOTH ENDS ARE FLUSH WITH EDGES OF ROOF PANELS.



FLUSH

2637(x1)
ROOF EDGE TRIM

2637(x1)
ROOF EDGE TRIM

2638(x1)
ROOF EDGE TRIM SPLICE

759 (x8)
SCREW - 1"

SIDE VIEW

STEP 23 - ROOF PANEL ASSEMBLY

QTY	PART NUMBER	DESCRIPTION
16	H100391	SCREW PFH 8x2 BLK



E01 RAFTER - W4L19650
(x2) 1 7/16"x3 3/8"x64 5/16" (36x86x1634)



H04 FASCIA - W4L17208
(x1) 15/16"x3 3/8"x73 1/4" (24x86x1860)



H06 RIDGE - W4L19646
(x1) 15/16"x3 3/8"x69" (24x86x1752)



E02 RAFTER - W4L19651
(x2) 1 7/16"x3 3/8"x64 5/16" (36x86x1634)

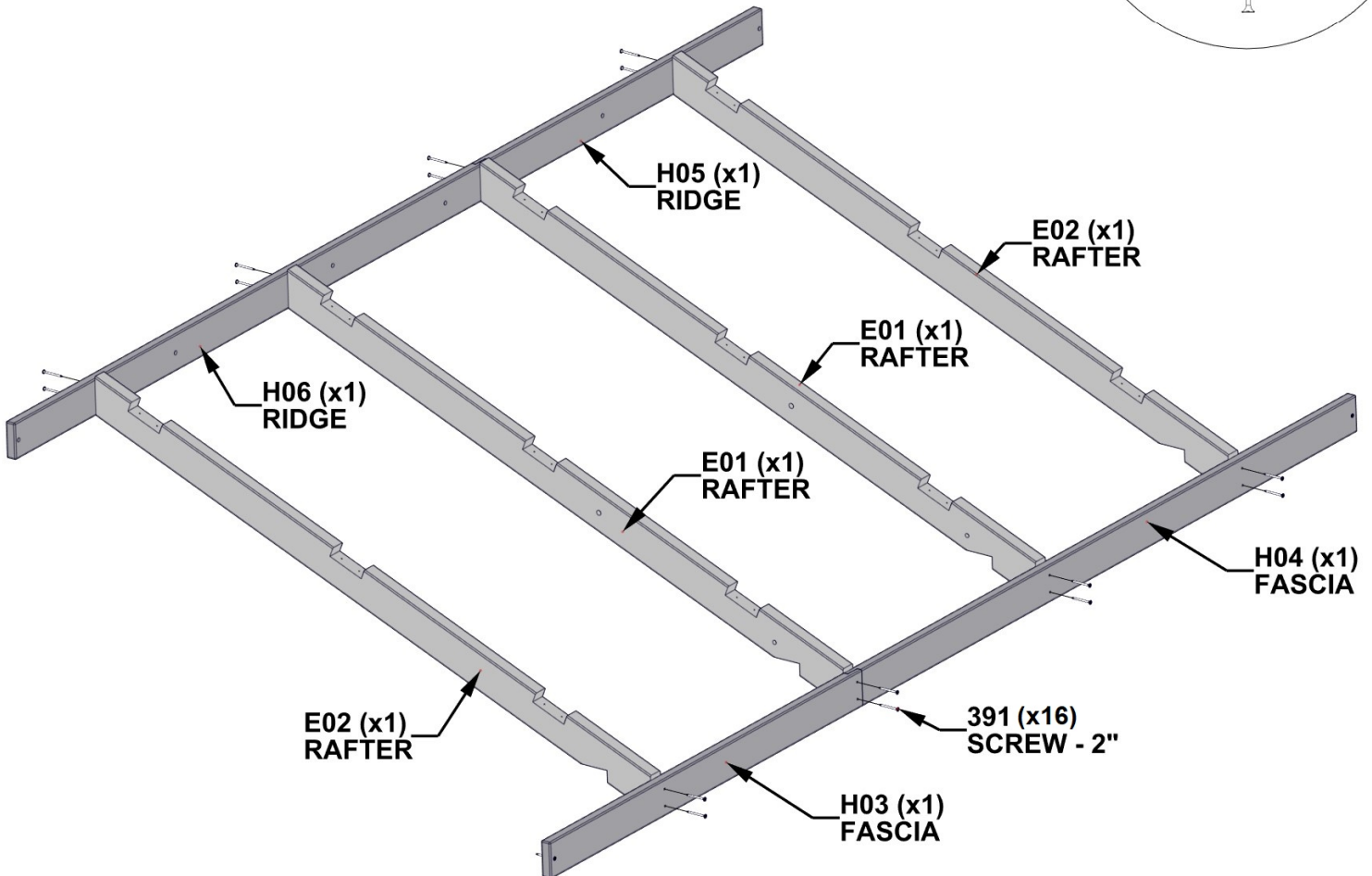
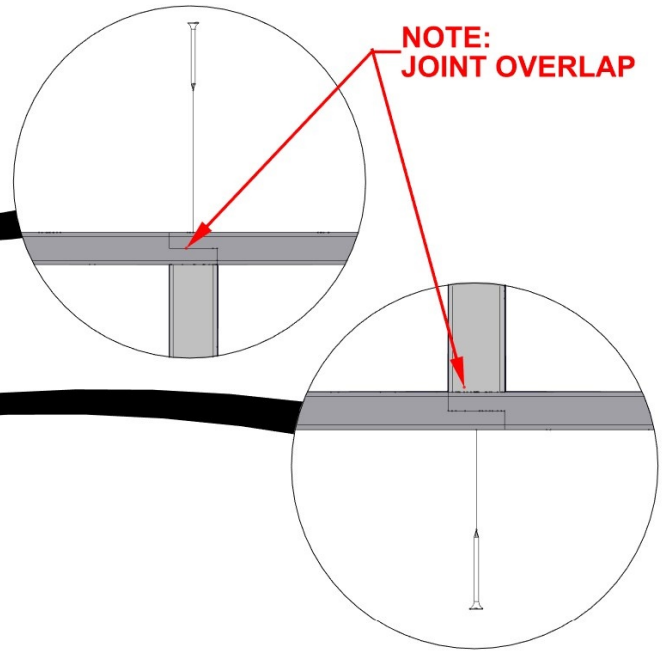
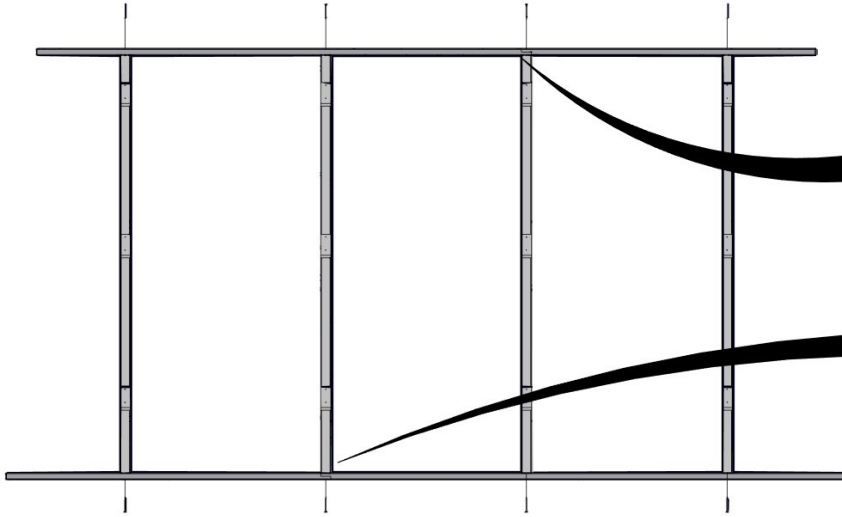


H03 FASCIA - W4L17207
(x1) 15/16"x3 3/8"x45 1/4" (24x86x1150)



H05 RIDGE - W4L19647
(x1) 15/16"x3 3/8"x41" (24x86x1042)

ROOF PANEL B



STEP 24A - ROOF PANEL ASSEMBLY

QTY	PART NUMBER	DESCRIPTION
24	H100391	SCREW PFH 8x2 BLK



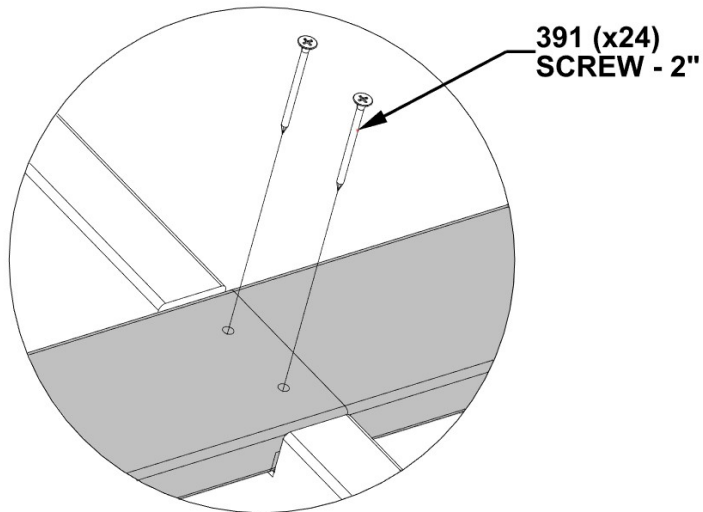
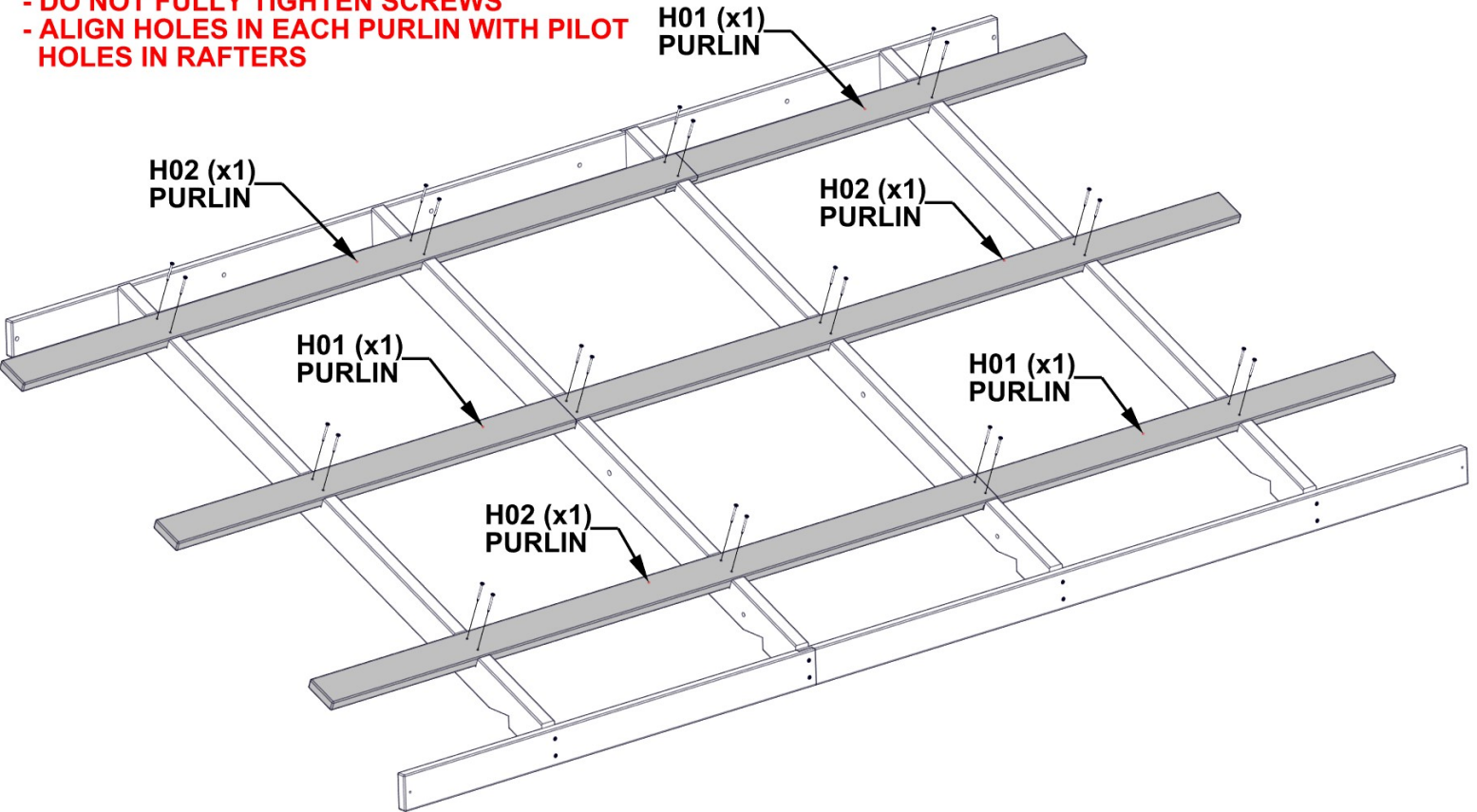
H01 PURLIN - W4L19648
(x3) 15/16"x3 3/8"x45 1/4" (24x86x1150)



H02 PURLIN - W4L19649
(x3) 15/16"x3 3/8"x73 1/4" (24x86x1860)

ROOF PANEL B

- DO NOT FULLY TIGHTEN SCREWS
- ALIGN HOLES IN EACH PURLIN WITH PILOT HOLES IN RAFTERS

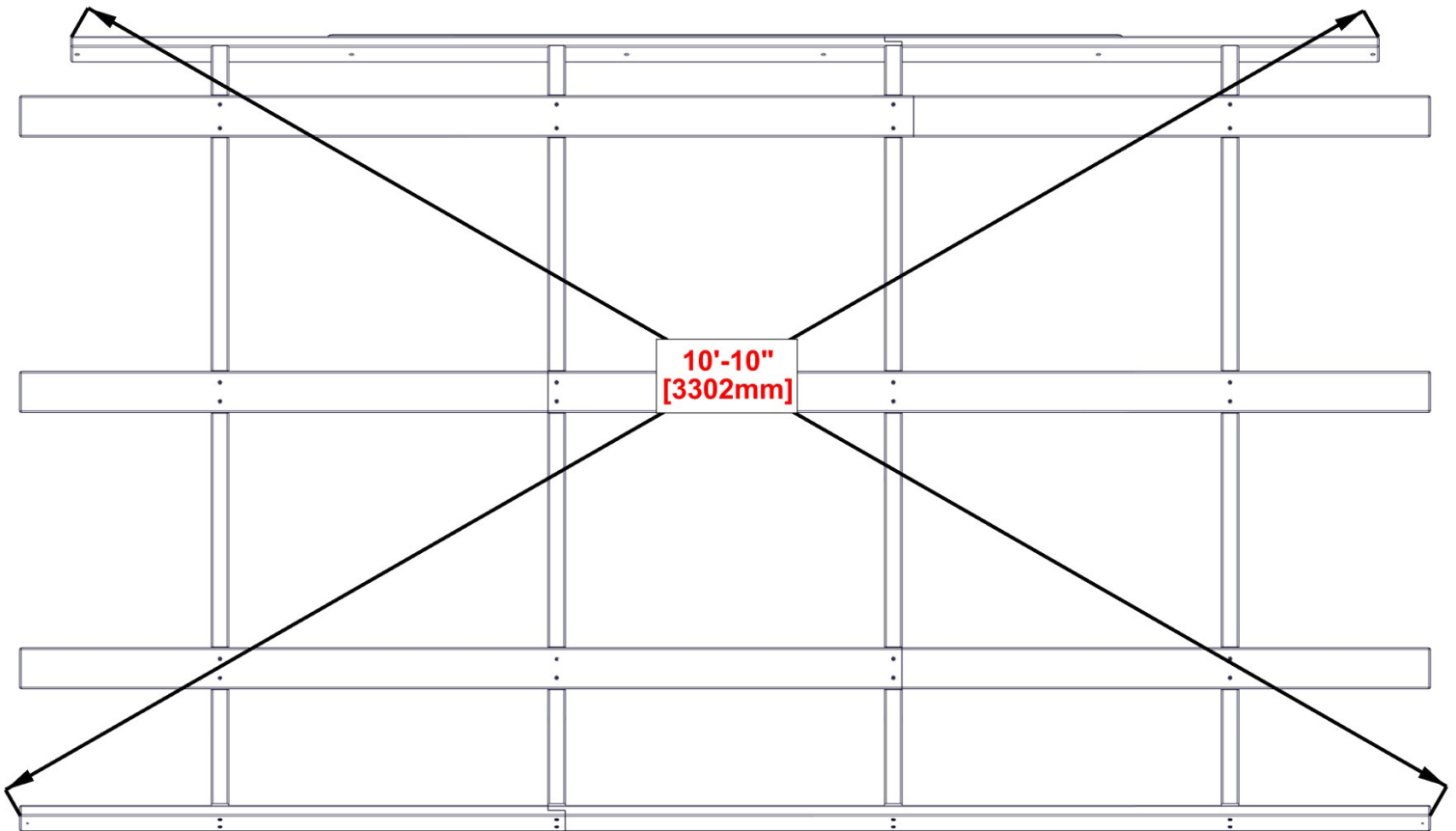


STEP 24B - ROOF PANEL ASSEMBLY

ROOF PANEL B

CRITICAL:

- SQUARE UNIT BEFORE PROCEEDING TO NEXT STEPS.
- THE BELOW DIMENSIONS ARE CRITICAL TO THE FINAL ROOF ASSEMBLY.
- MEASUREMENTS SHOULD BE HELD WITHIN +/- 1/4" (6mm).
- MEASUREMENTS OUTSIDE OF TOLERANCE WILL LEAD TO THE INABILITY TO ASSEMBLE THE ROOF.



ONCE PANEL IS SQUARED, FULLY TIGHTEN SCREWS.

STEP 25 - ROOF PANEL ASSEMBLY

ROOF PANEL B

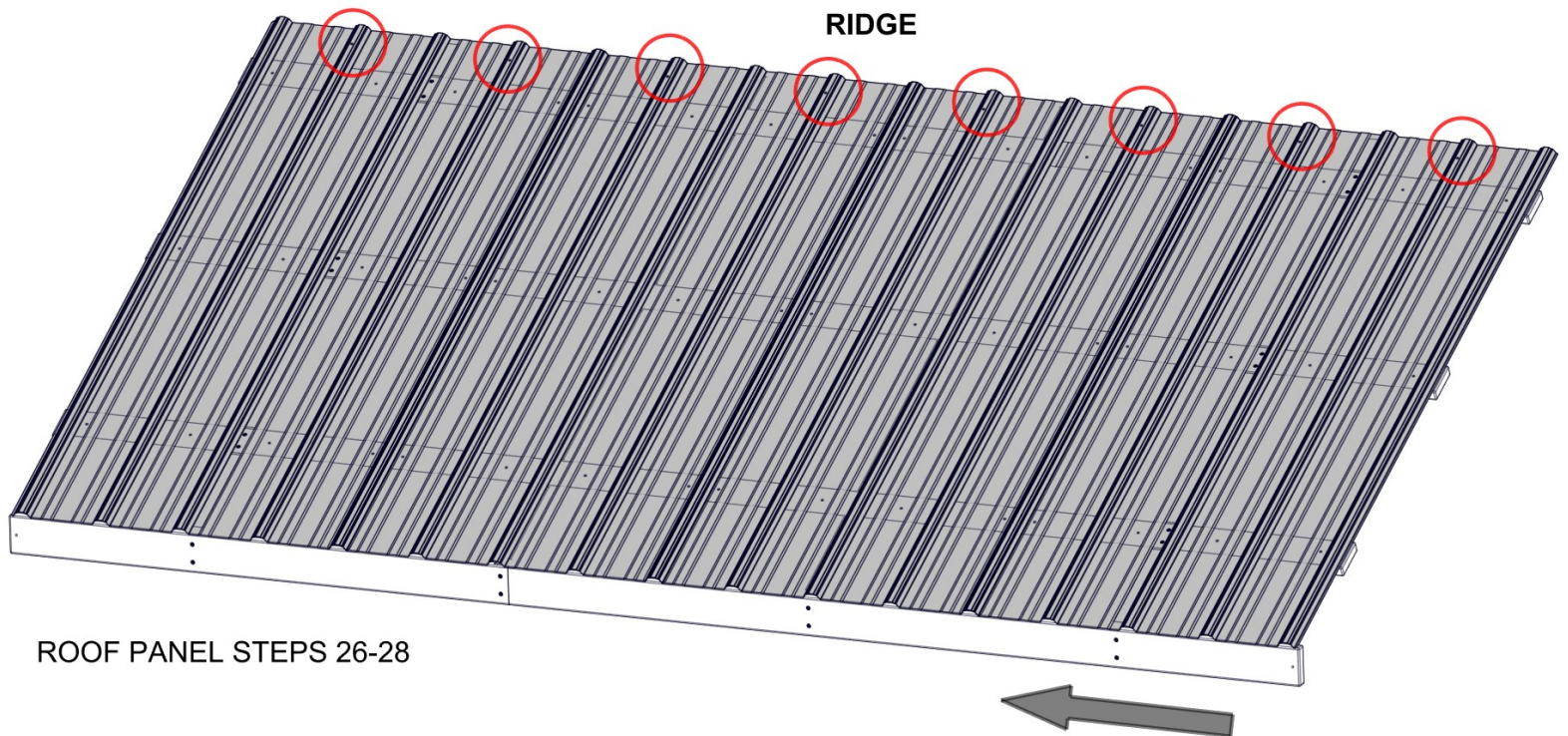
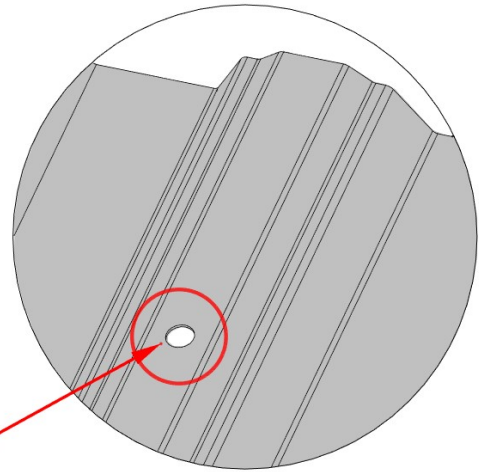
USE THIS PAGE TO FAMILIARIZE YOURSELF WITH THE ROOF PANEL AND ASSIST YOU IN STEPS 20-22.

TIPS:

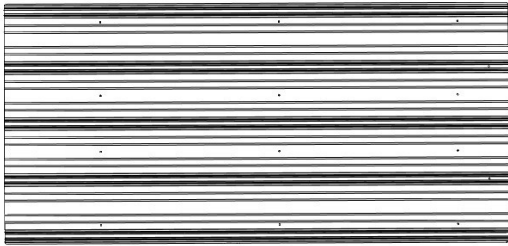
- REMOVE PROTECTIVE BLUE FILM.
- START AT THE END INDICATED AND ASSEMBLE IN THE DIRECTION OF THE ARROW.

GLOVES SHOULD BE WORN WHEN HANDLING ROOF PANELS: EDGES ARE SHARP.

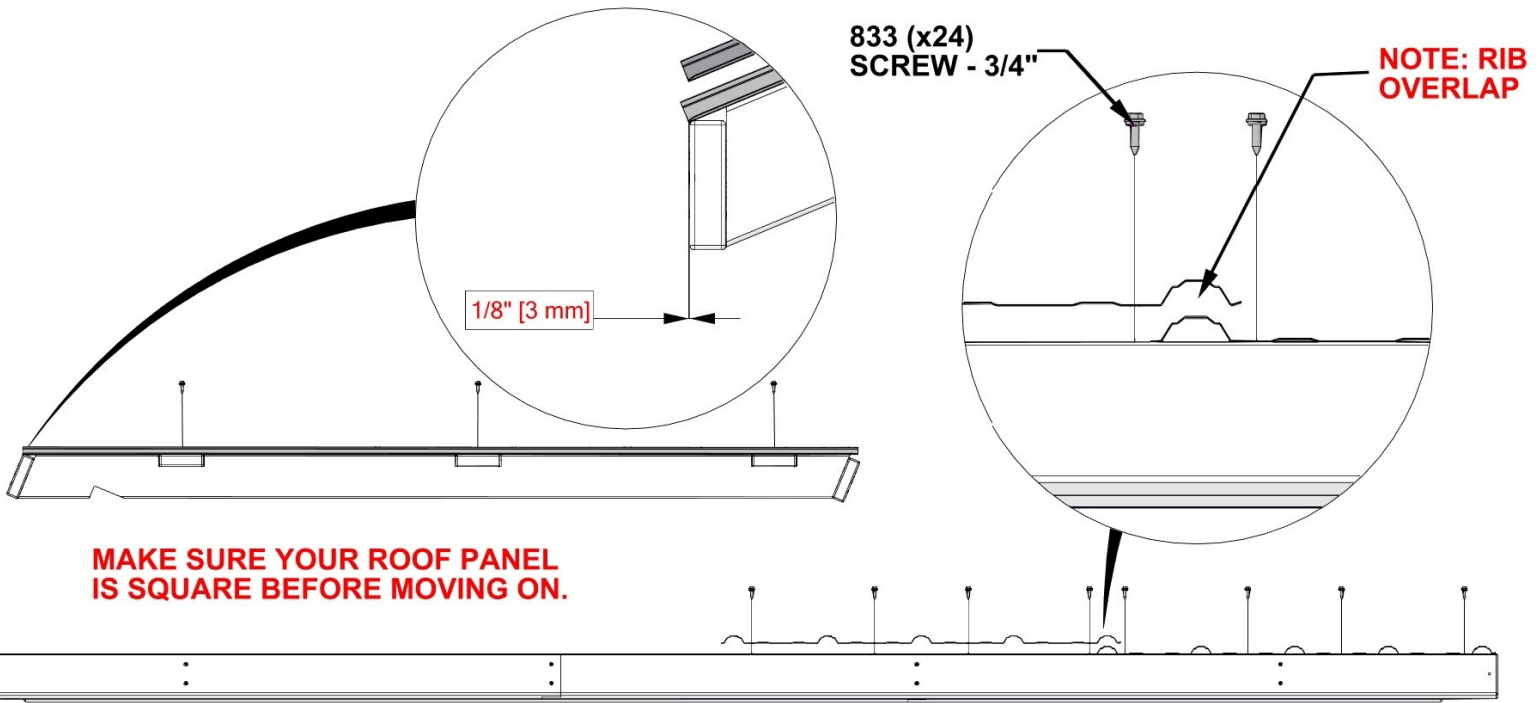
THE PRE-DRILLED HOLES ON EACH PANEL SHOULD ALWAYS BE POSITIONED ON THE RIDGE SIDE.



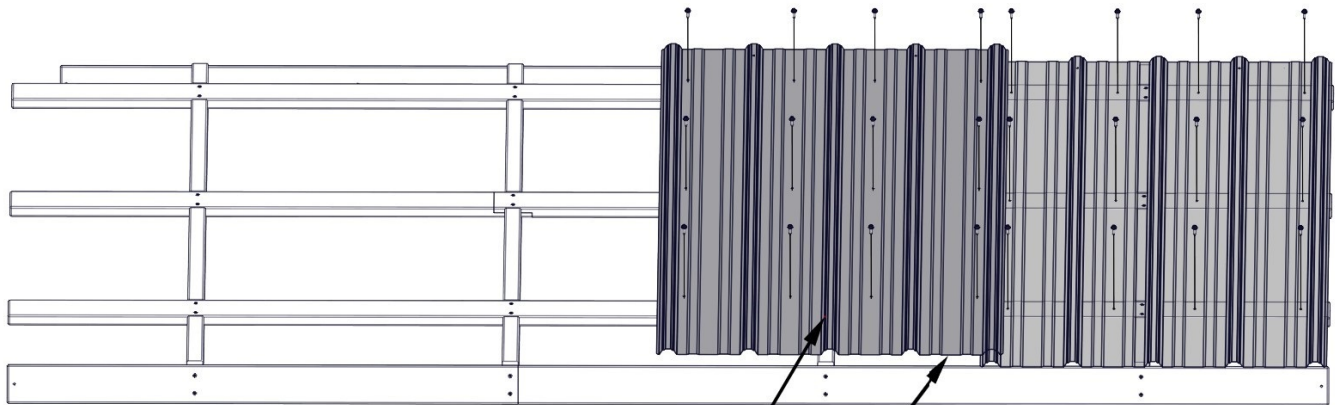
STEP 26 - ROOF PANEL ASSEMBLY



QTY	PART NUMBER	DESCRIPTION
24	H100833	SCREW WOODGRIP 10-16x3/4"



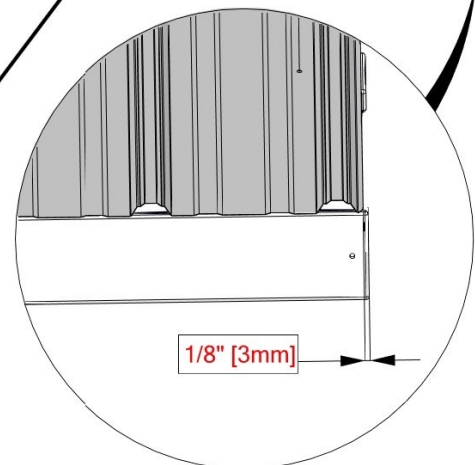
MAKE SURE YOUR ROOF PANEL IS SQUARE BEFORE MOVING ON.



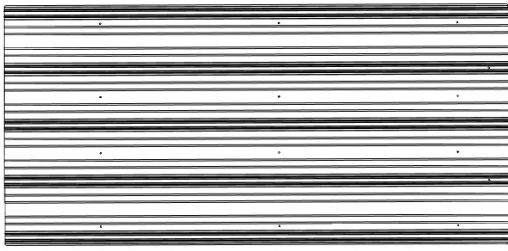
2807 (x2)
29GA STEEL SHEETING

FLUSH ENDS OF SHEETS

HOLD SHEETING INSIDE OF FRAME MEASURING FROM RIB AS SHOWN.

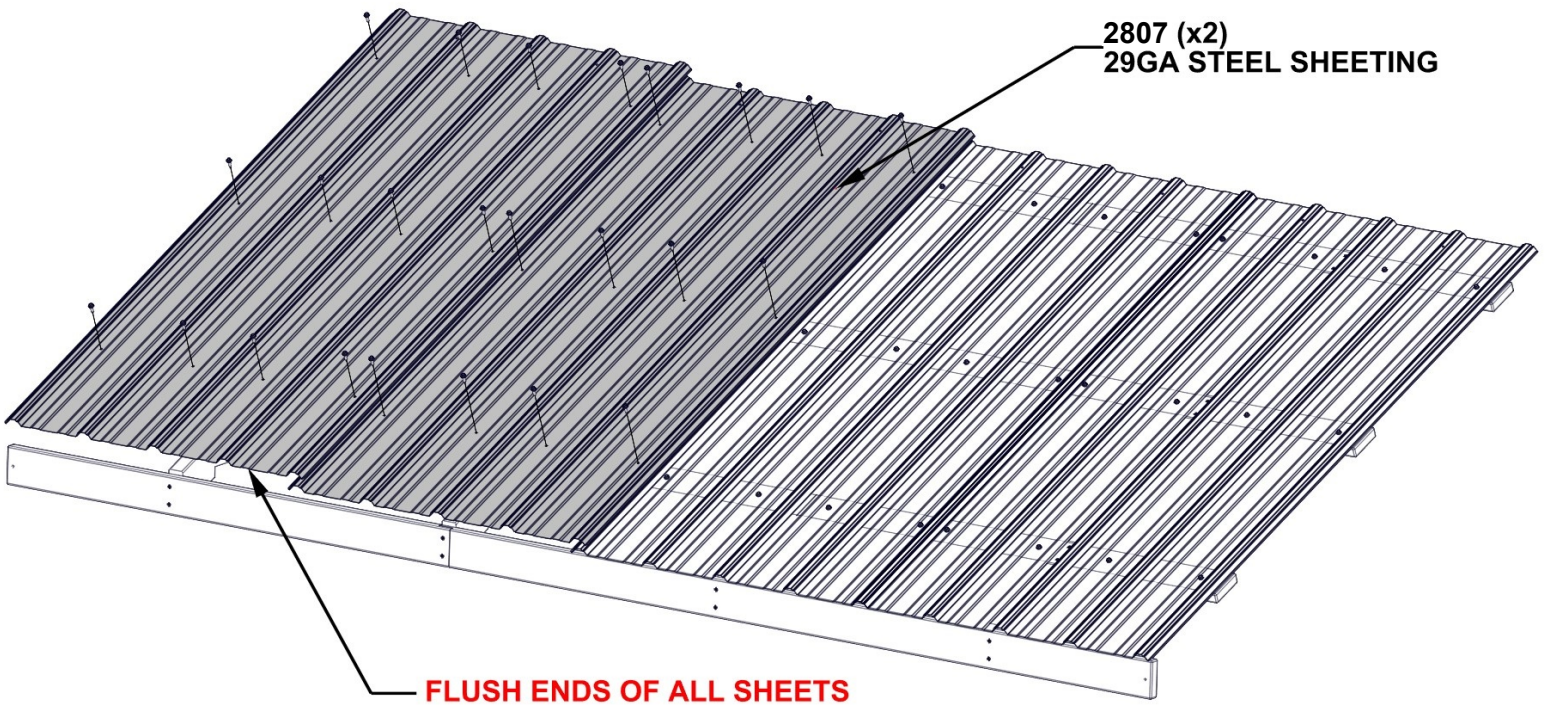
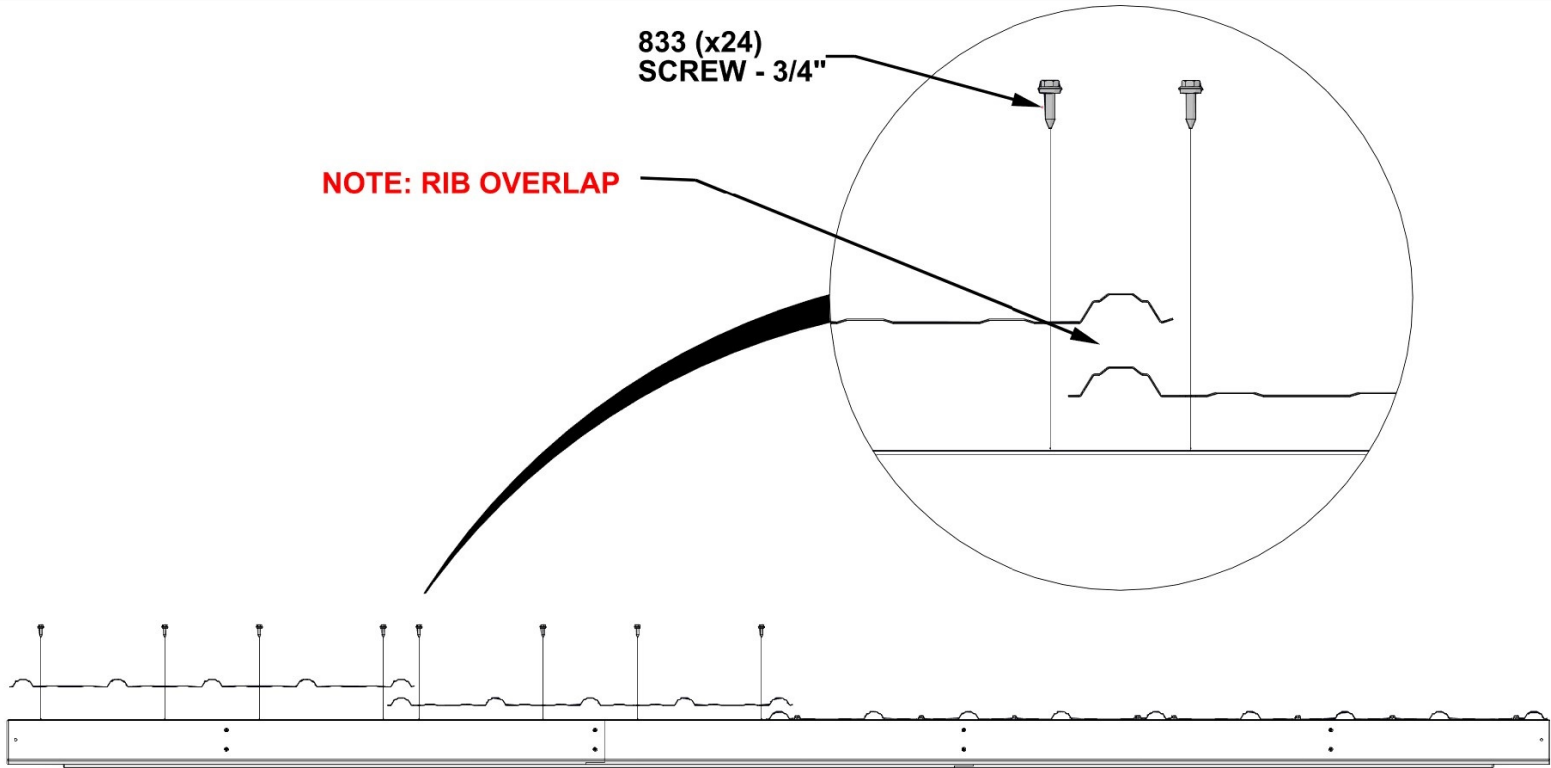


STEP 27 - ROOF PANEL ASSEMBLY



A4M02807 29GA STEEL SHEETING
(x2)

QTY	PART NUMBER	DESCRIPTION
24	H100833	SCREW WOODGRIP 10-16x3/4"



STEP 28 - ROOF PANEL ASSEMBLY


 A4M02638 (x1) ROOF EDGE TRIM SPLICE

QTY	PART NUMBER	DESCRIPTION
8	H100759	SCREW SELF TAPPING 1/4x1

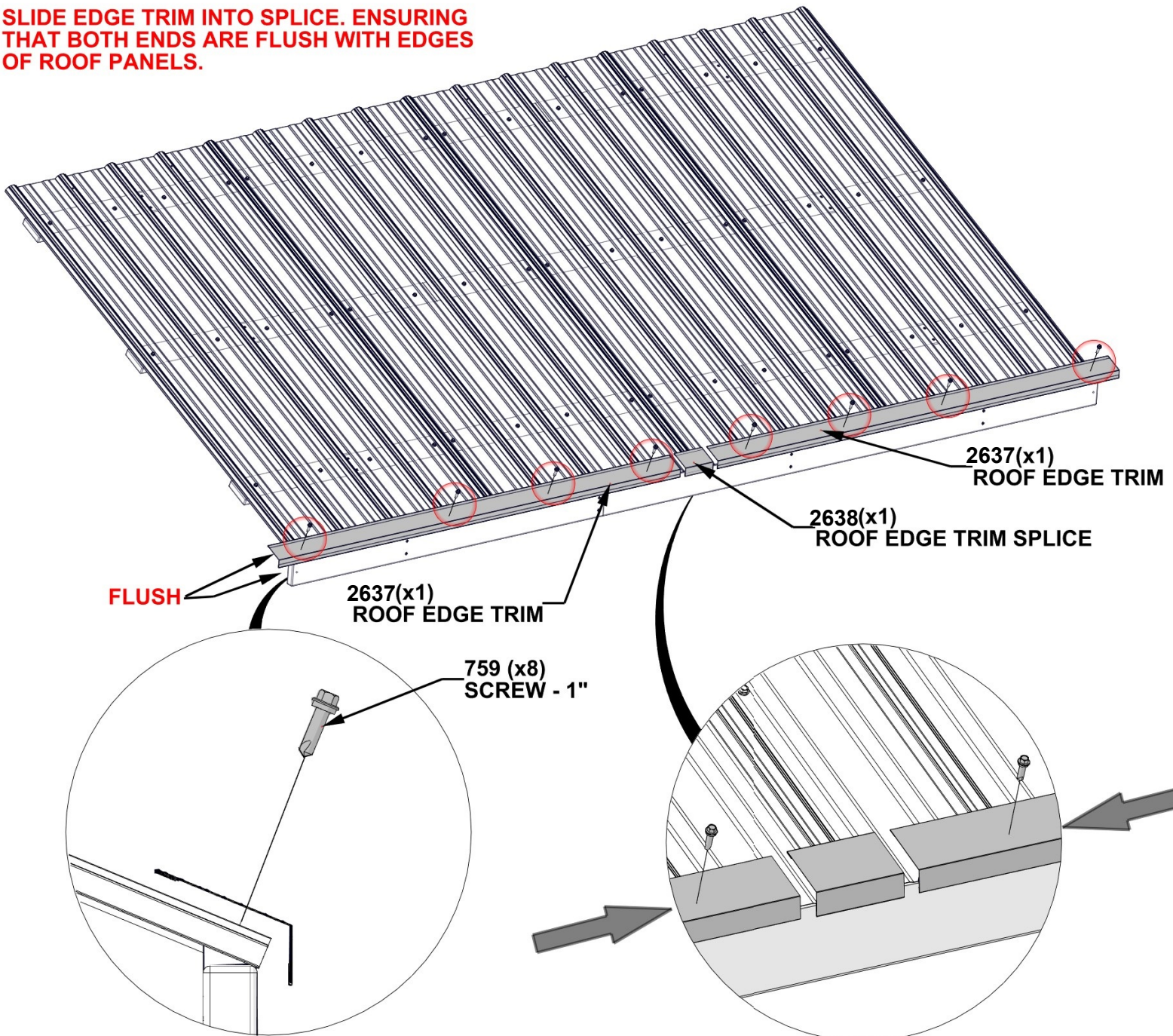


A4M02637 (x2) ROOF EDGE TRIM

DUE TO MULTIPLE LAYERS OF METAL ON THE EDGE TRIM, IT IS RECOMMENDED THAT A 1/8" DRILL BIT IS USED TO CREATE STARTER HOLES.

SCREWS GO THROUGH EDGE TRIM INTO THE TOP OF THE RIBS IN THE APPROXIMATE LOCATIONS SHOWN.

SLIDE EDGE TRIM INTO SPLICE. ENSURING THAT BOTH ENDS ARE FLUSH WITH EDGES OF ROOF PANELS.



FLUSH

2637(x1) ROOF EDGE TRIM

2637(x1) ROOF EDGE TRIM

2638(x1) ROOF EDGE TRIM SPLICE

759 (x8) SCREW - 1"

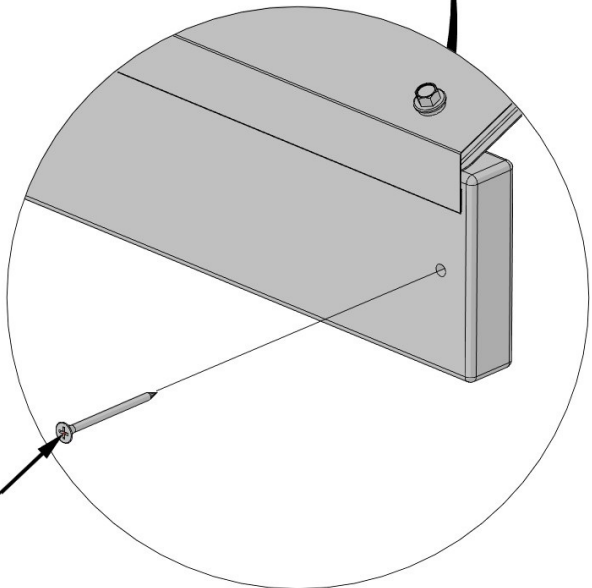
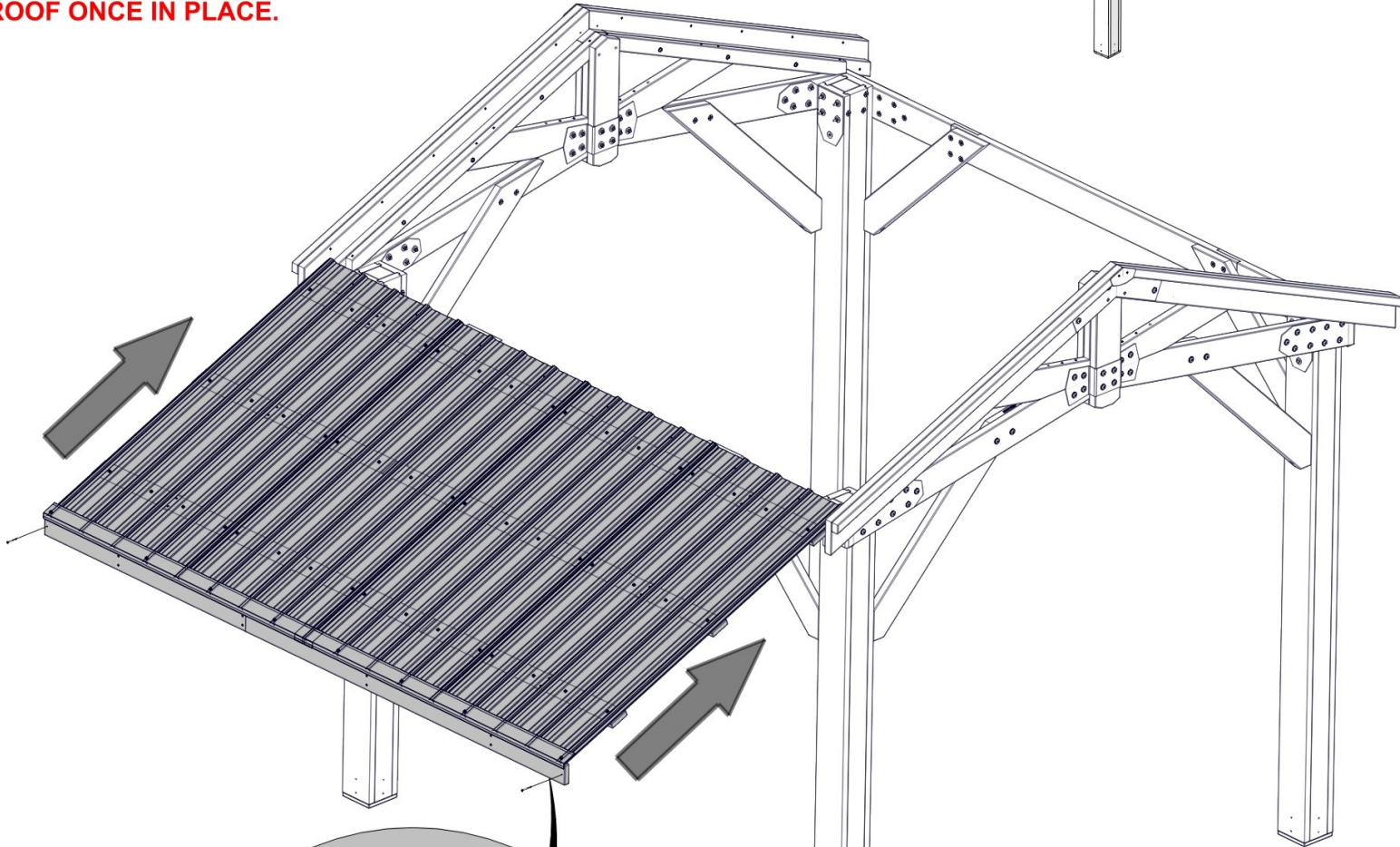
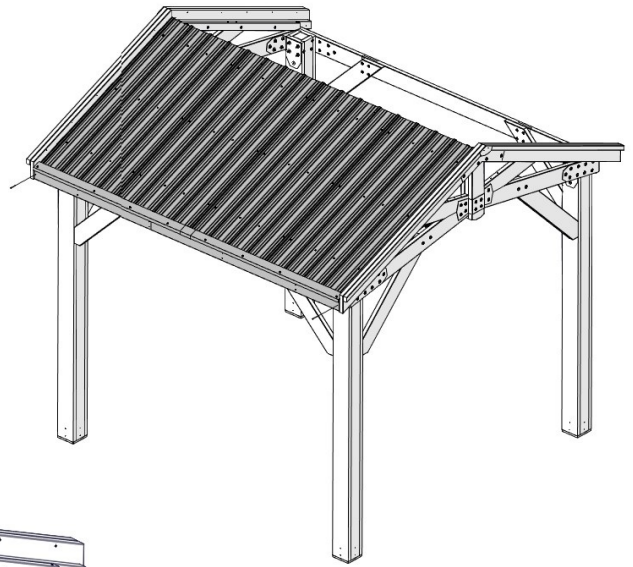
SIDE VIEW

STEP 29 - ROOF ASSEMBLY

QTY	PART NUMBER	DESCRIPTION
2	H100391	SCREW PFH 8x2 BLK

WITH AT LEAST TWO PEOPLE, LIFT ASSEMBLED ROOF PANEL AND SLIDE IT INTO THE TRACKS ON THE RAFTERS. ONCE IN PLACE, INSTALL ATTACHMENT HARDWARE AS SHOWN.

A THIRD PERSON IS HELPFUL TO ATTACH ROOF ONCE IN PLACE.



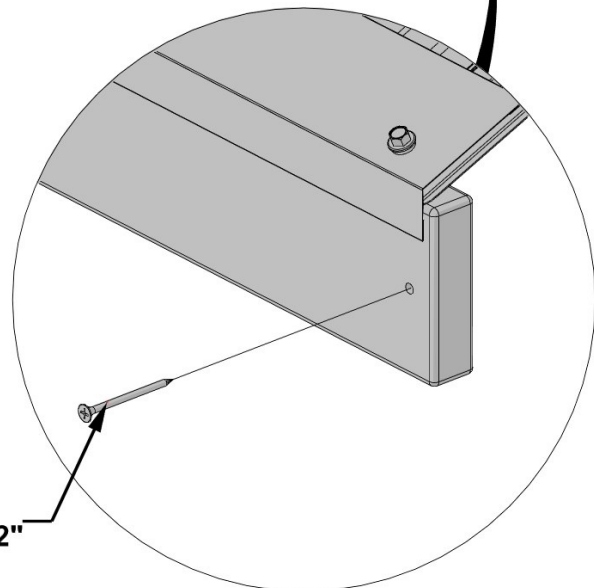
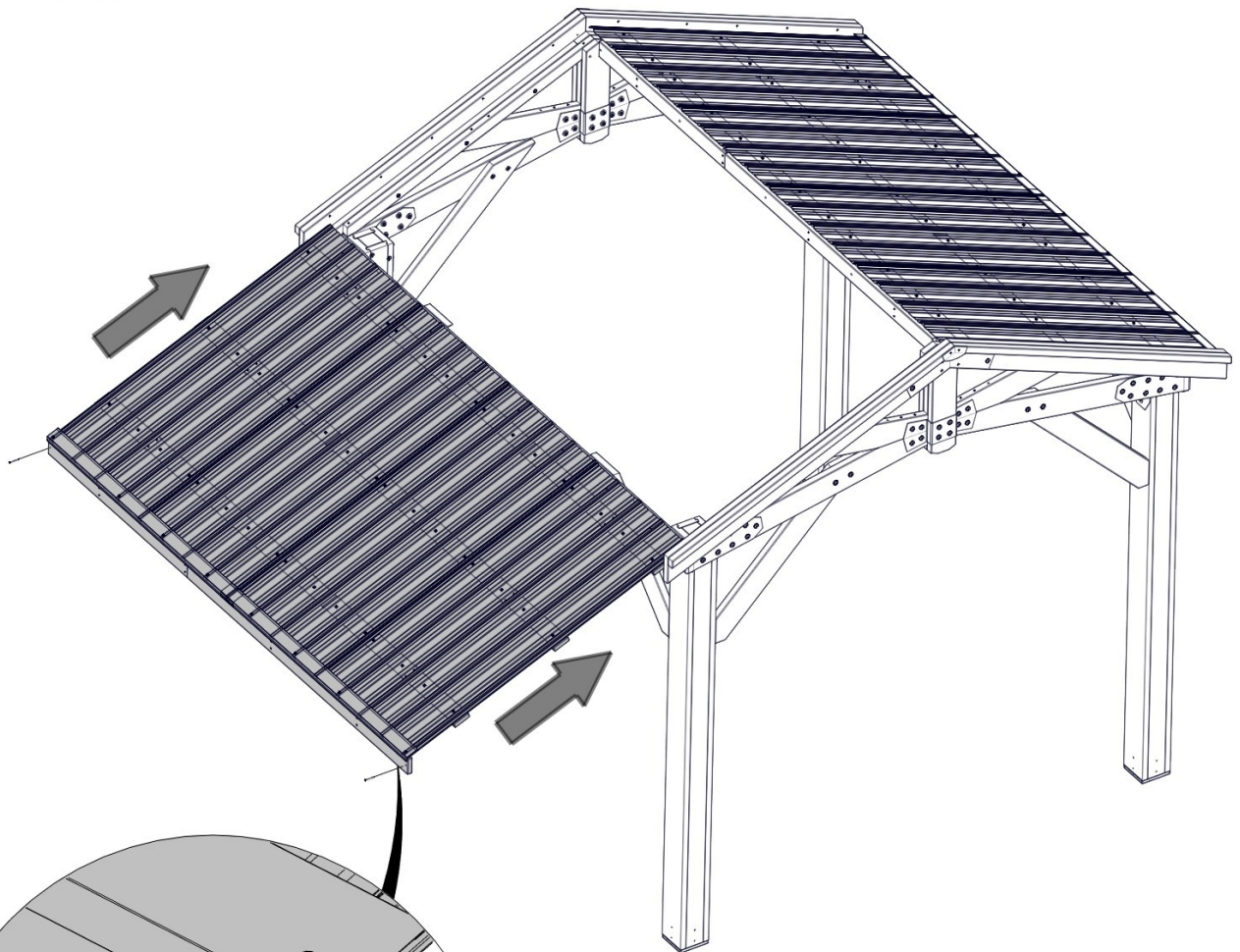
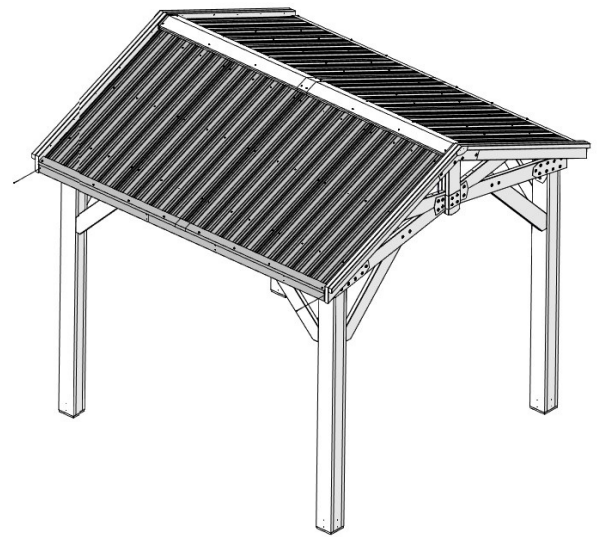
391 (x2)
SCREW - 2"

STEP 30 - ROOF ASSEMBLY

QTY	PART NUMBER	DESCRIPTION
2	H100391	SCREW PFH 8x2 BLK

WITH AT LEAST TWO PEOPLE, LIFT ASSEMBLED ROOF PANEL AND SLIDE IT INTO THE TRACKS ON THE RAFTERS. ONCE IN PLACE, INSTALL ATTACHMENT HARDWARE AS SHOWN.

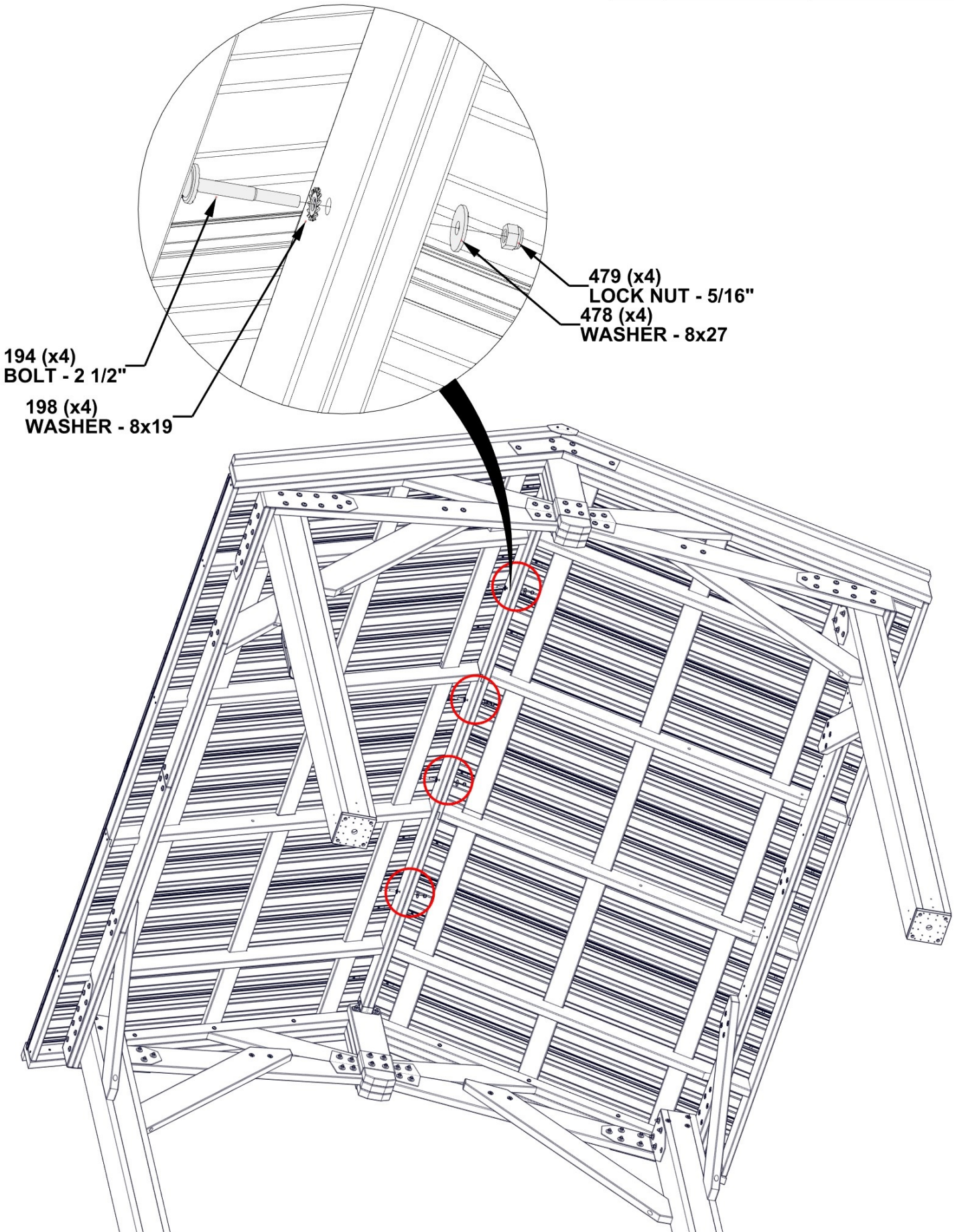
A THIRD PERSON IS HELPFUL TO ATTACH ROOF ONCE IN PLACE.



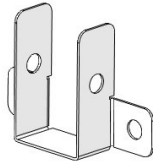
**391 (x2)
SCREW - 2"**

STEP 31 - ROOF ASSEMBLY

QTY	PART NUMBER	DESCRIPTION
4	H100479	NUT LOCK 5/16 BLK
4	H100478	WASHER FLAT 8x27 BLK
4	H100194	BOLT WH 5/16x2 1/2 BLK
4	H100198	WASHER LOCK EXT 8x19

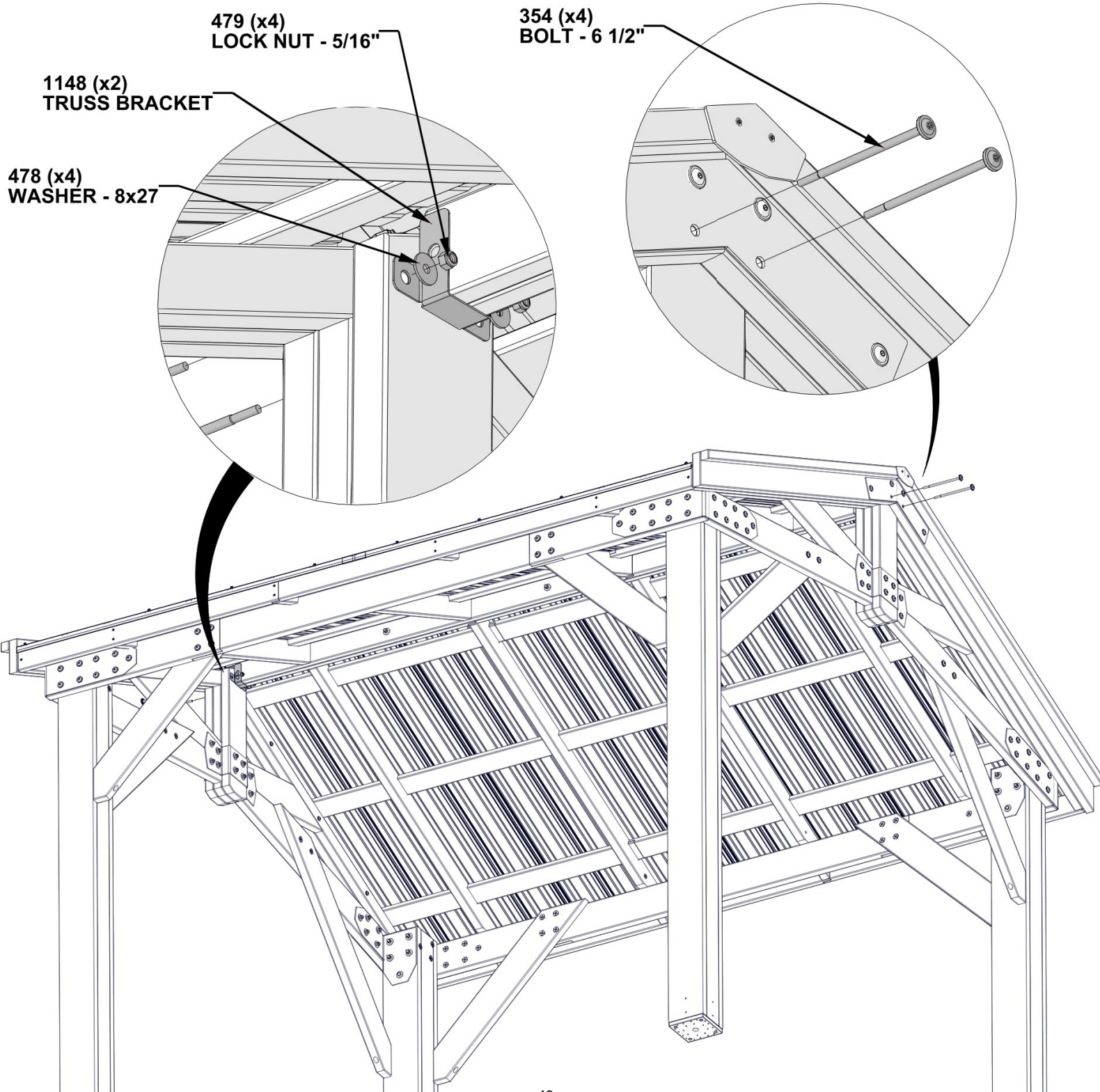


STEP 32 - ROOF ASSEMBLY



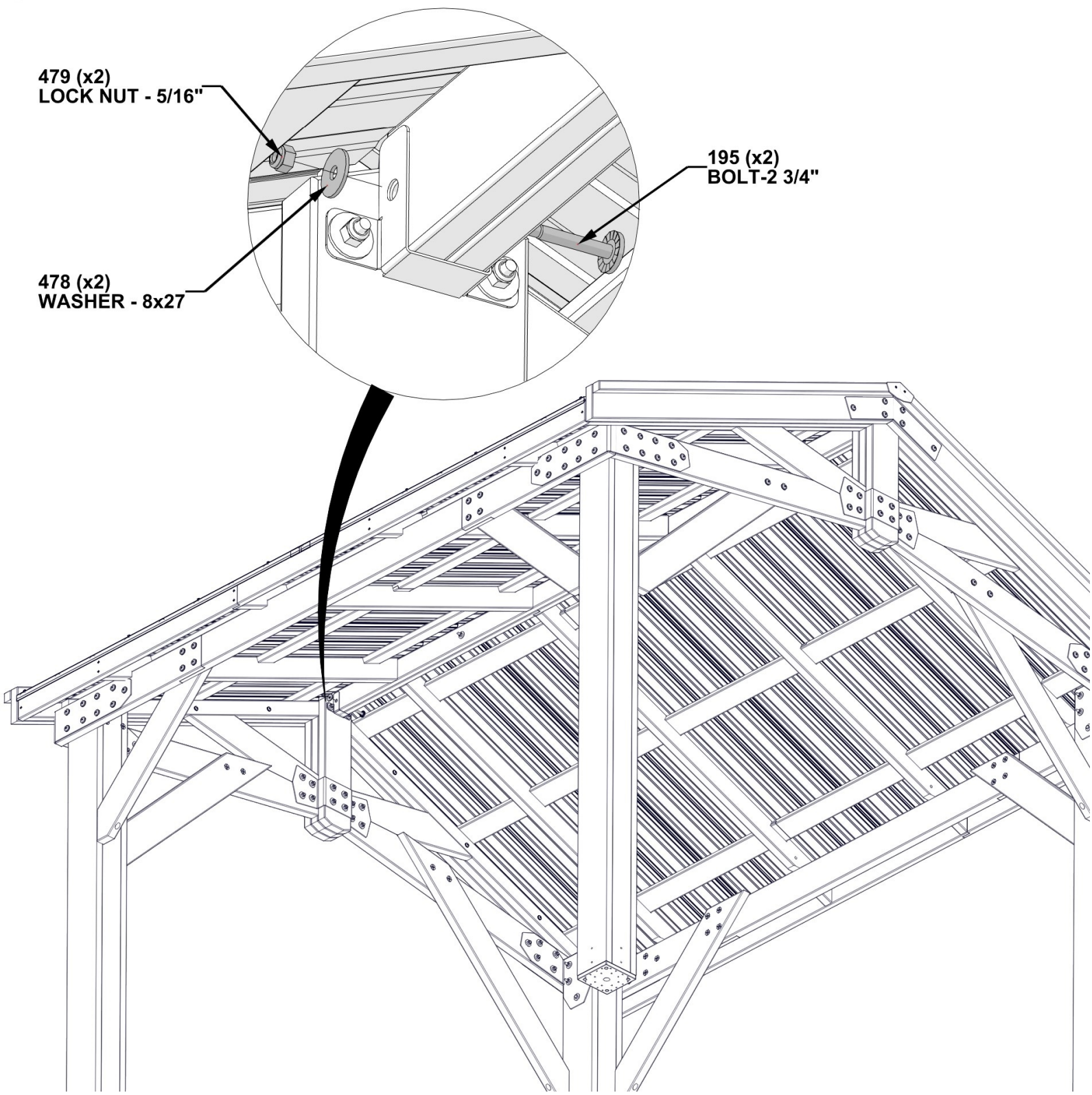
A4M01148 TRUSS BRACKET
(x2)

QTY	PART NUMBER	DESCRIPTION
4	H100479	NUT LOCK 5/16 BLK
4	H100478	WASHER FLAT 8x27 BLK
4	H100354	BOLT WH 5/16x6 1/2 BLK



STEP 33 - ROOF ASSEMBLY

QTY	PART NUMBER	DESCRIPTION
2	H100479	NUT LOCK 5/16 BLK
2	H100478	WASHER FLAT 8x27 BLK
2	H100195	BOLT WH 5/16x2 3/4 BLK

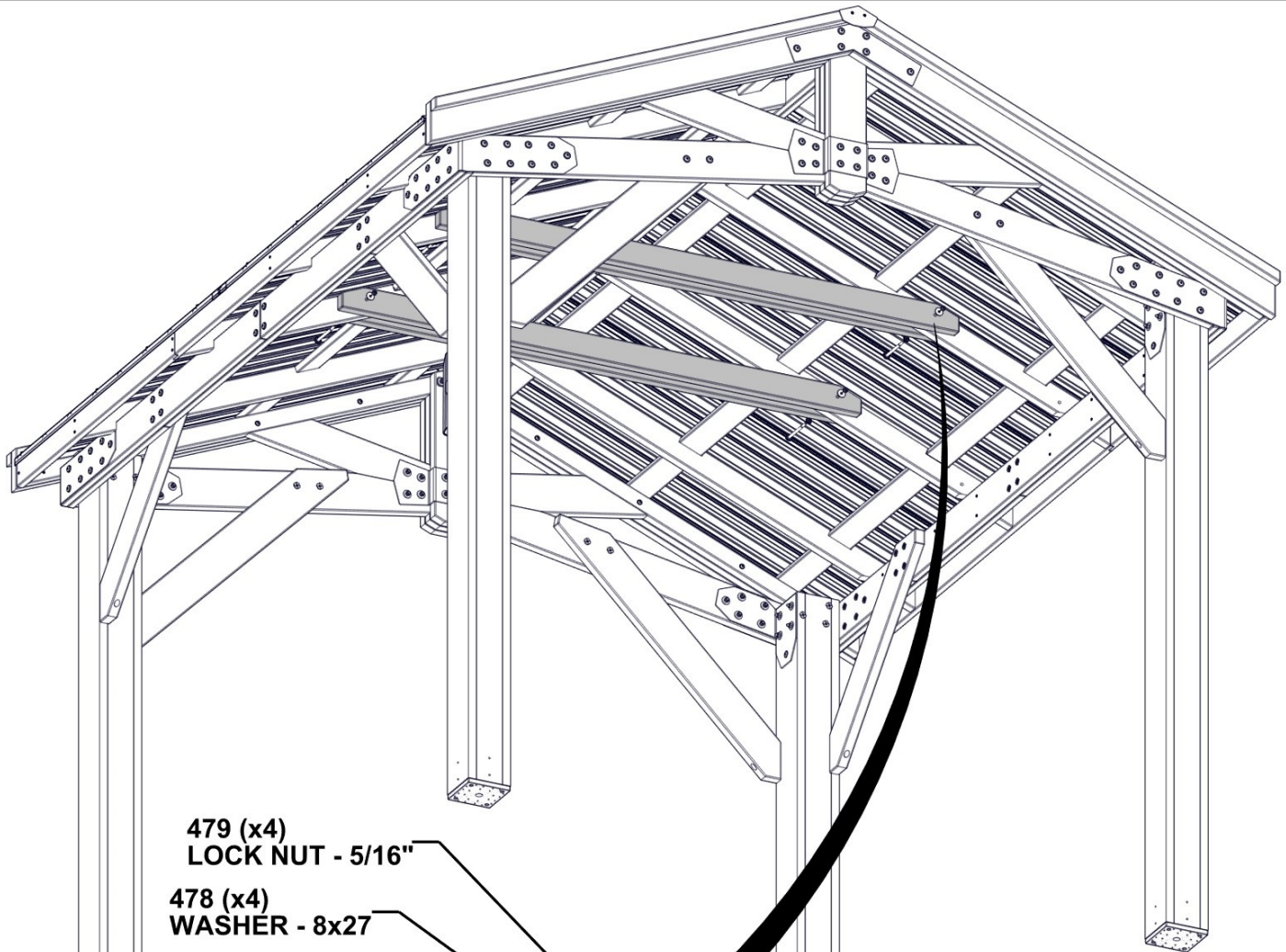


STEP 34 - ROOF ASSEMBLY

QTY	PART NUMBER	DESCRIPTION
4	H100198	WASHER LOCK EXT 8x19
4	H100478	WASHER FLAT 8x27 BLK
4	H100479	NUT LOCK 5/16 BLK
4	H100480	BOLT WH 5/16x4 3/4 BLK



E06 ACCESSORY TRUSS - W4L16863
 (x4) 1 3/8"X3 3/8"X73 7/8" (36x86x1875)



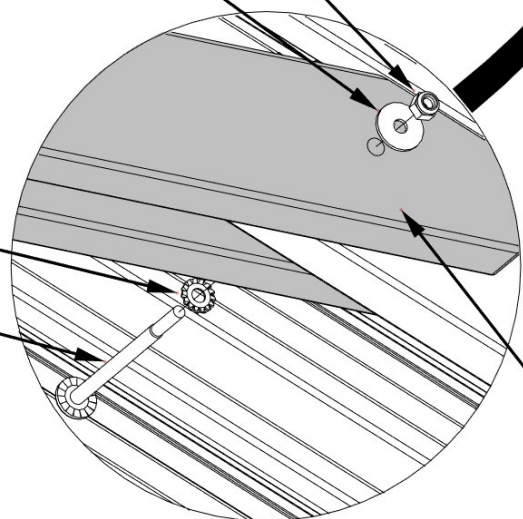
479 (x4)
 LOCK NUT - 5/16"

478 (x4)
 WASHER - 8x27

198 (x4)
 WASHER - 8x19

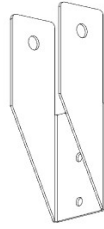
480 (x4)
 BOLT - 4 3/4"

E06 (x4)
 ACCESSORY TRUSS

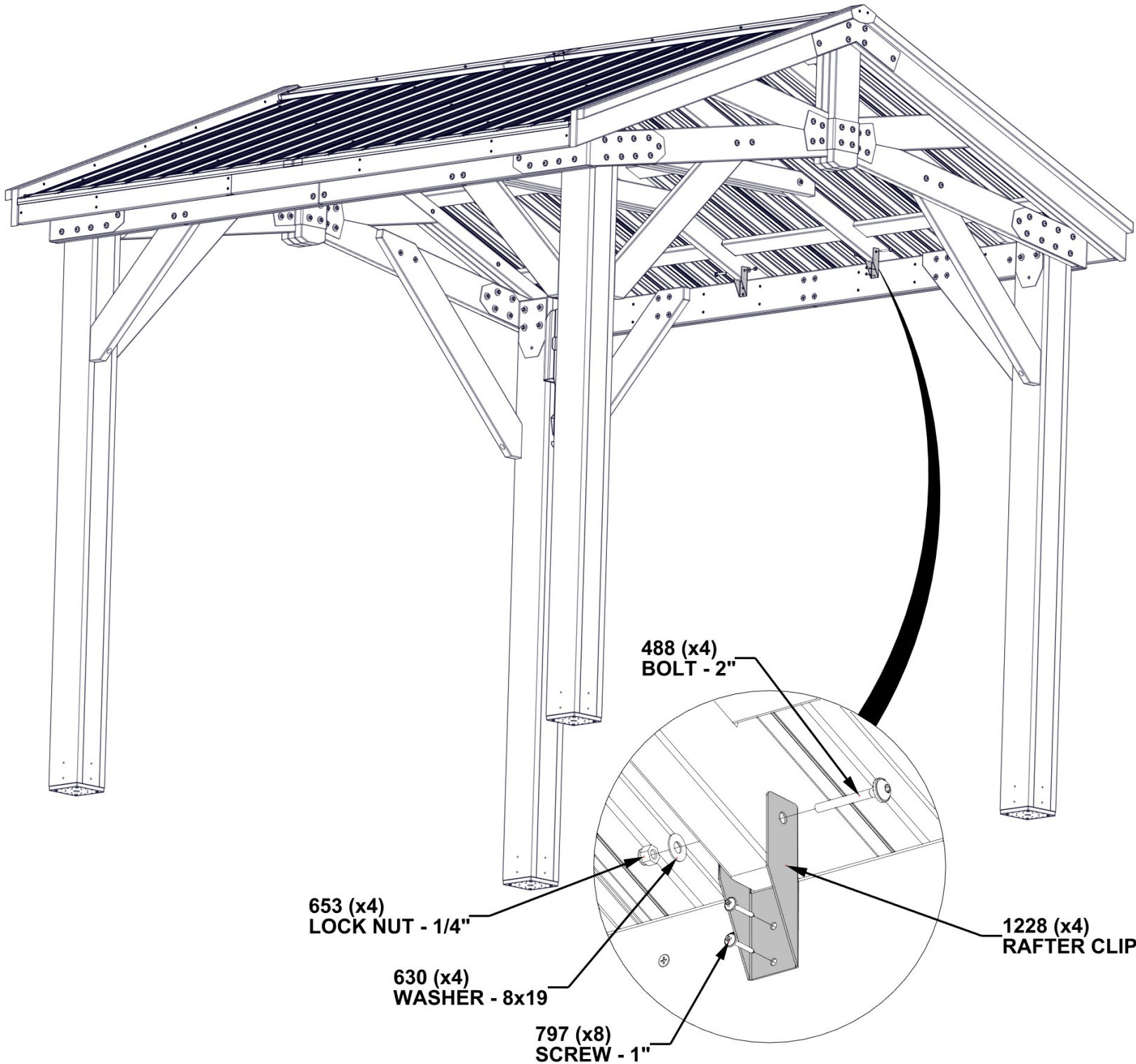


STEP 35 - ROOF ASSEMBLY

QTY	PART NUMBER	DESCRIPTION
4	H100653	NUT LOCK 1/4 BLK
4	H100630	WASHER FLAT 8x19 BLK
4	H100488	BOLT WH 1/4x2 BLK
8	H100797	SCREW PWH 8x1 BLK

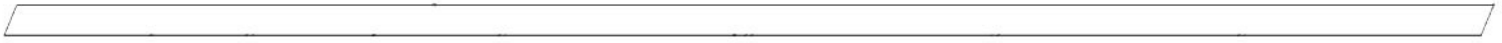


A4M01228 RAFTER CLIP
(x4)

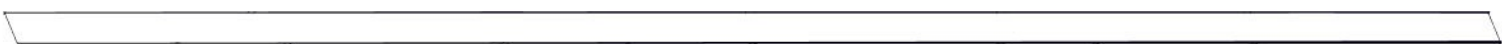


STEP 36 - ROOF ASSEMBLY

QTY	PART NUMBER	DESCRIPTION
12	H100833	SCREW WOODGRIP 10-16x3/4



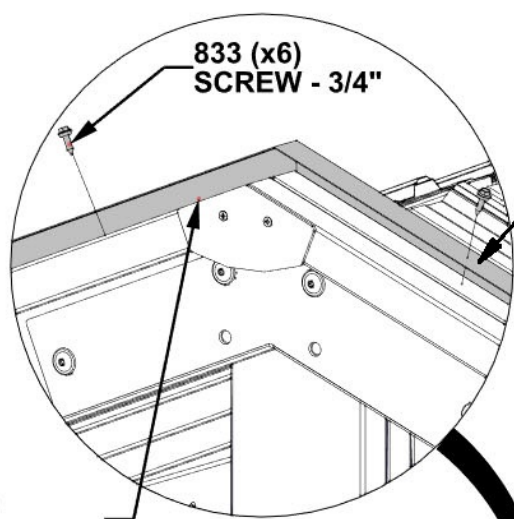
A4M02938 ROOF END TRIM
(x2)



A4M02939 ROOF END TRIM
(x2)

COMPLETE THIS STEP TWICE FOR OPPOSITE SIDE
- ATTACH SCREWS IN LINE WITH ROOF PANEL SCREWS.

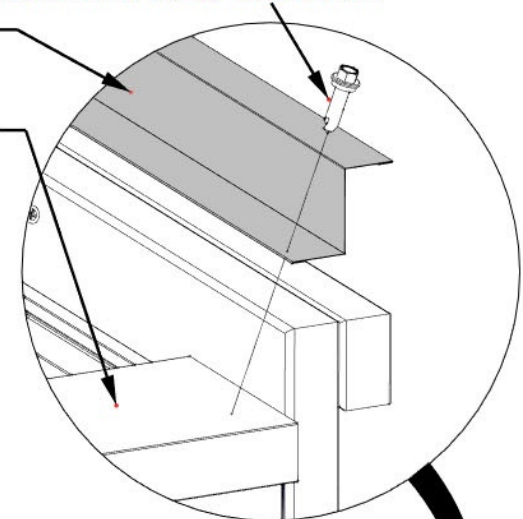
REMOVE THE FOUR SCREWS PREVIOUSLY INSTALLED AND REATTACH SECURING ROOF END TRIM TO PREVIOUSLY INSTALLED ROOF EDGE TRIM



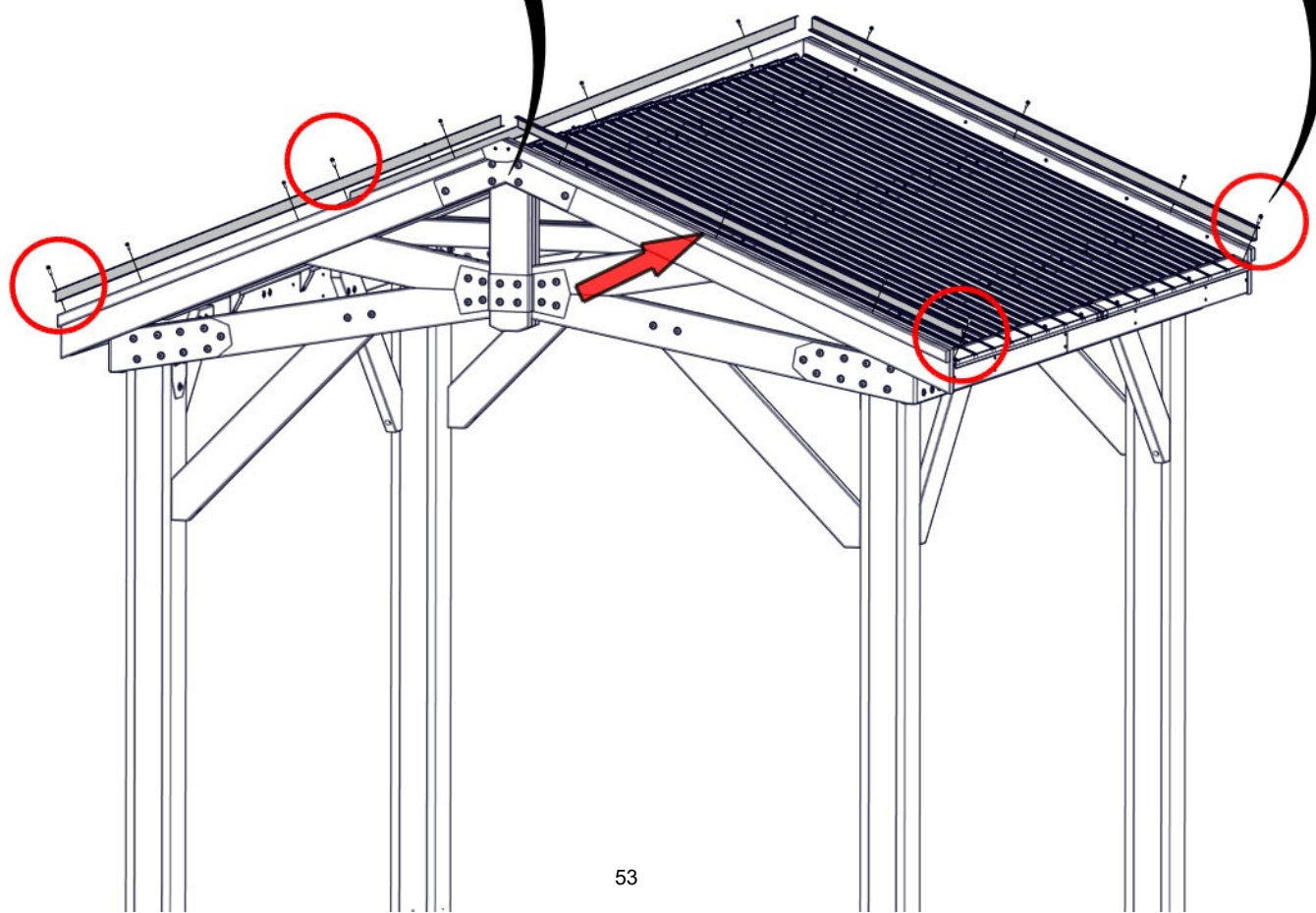
2939 (x1)
ROOF END TRIM

PREVIOUSLY INSTALLED
ROOF EDGE TRIM

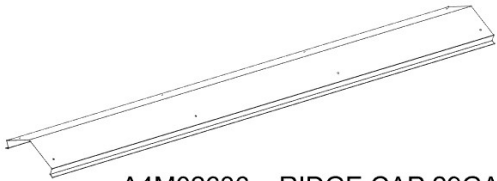
2938 (x1)
ROOF END TRIM



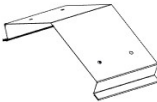
2939 (x1)
ROOF END TRIM



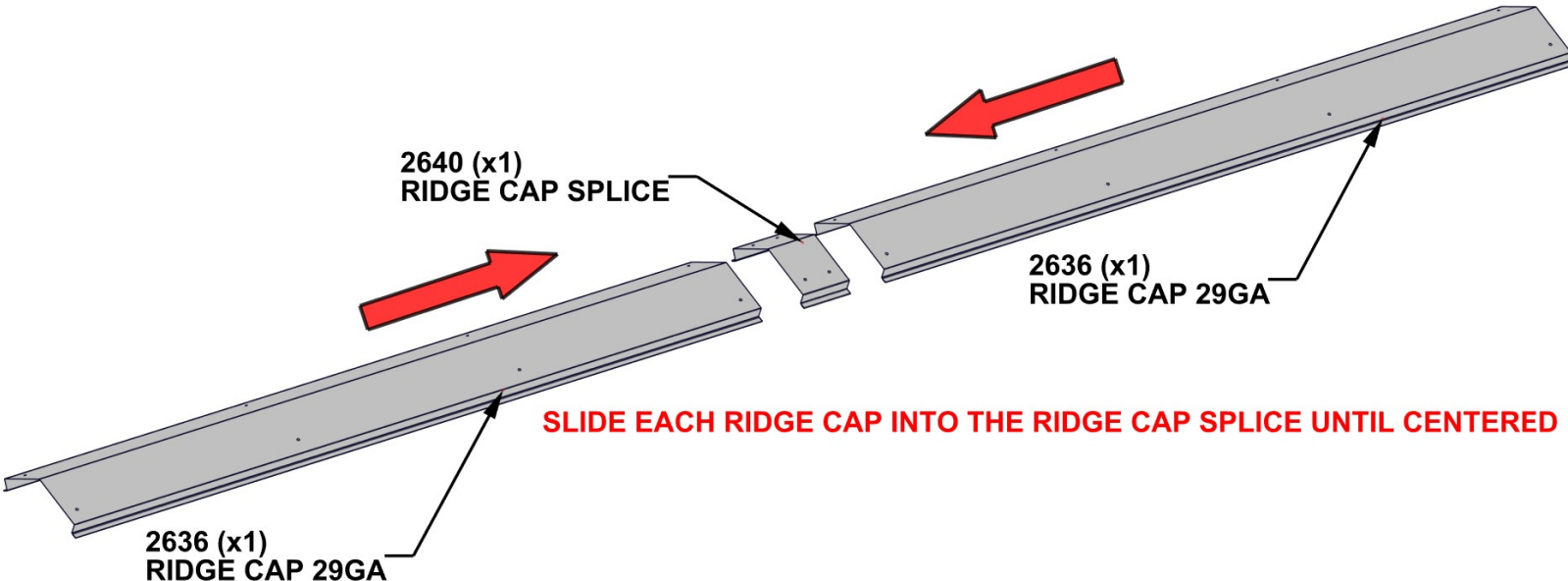
STEP 37 - RIDGE CAP ASSEMBLY



A4M02636 RIDGE CAP 29GA
(x2)



A4M02640 RIDGE CAP SPLICE
(x1)



STEP 38 - RIDGE CAP ASSEMBLY

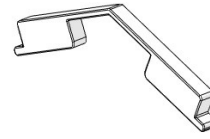
QTY	PART NUMBER	DESCRIPTION
16	H100833	SCREW WOODGRIP 10-16x3/4"



J01 RIDGE CAP STIFFENER - W4L17211
(x2) 15/16"x2 3/8"x47 5/8" (24x60x1210)



J02 RIDGE CAP STIFFENER - W4L17212
(x2) 15/16"x2 3/8"x69 5/16" (24x60x1760)

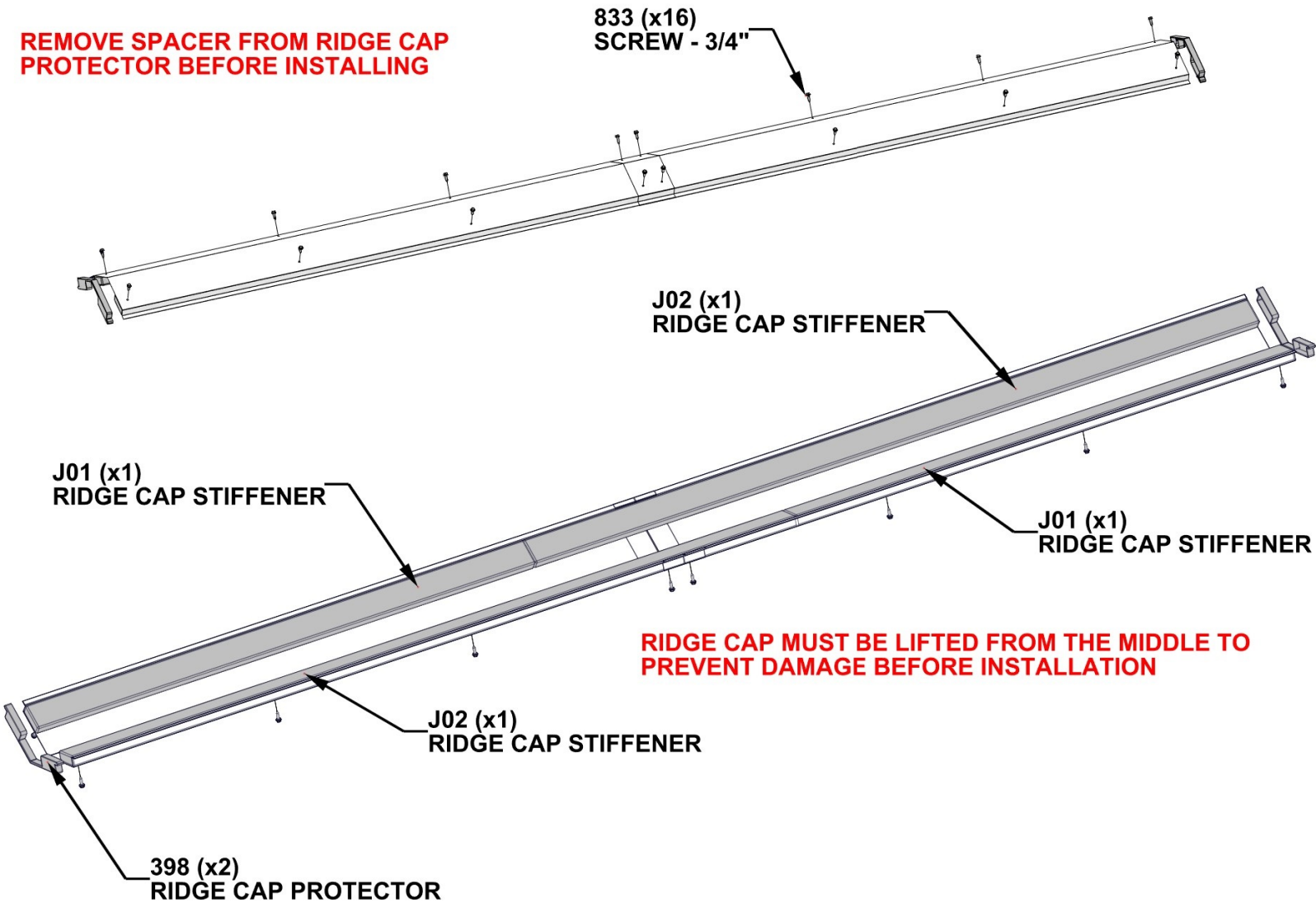


A6P00398 RIDGE CAP PROTECTOR
(x2)

ASSEMBLE BY ALIGNING THE HOLES ON EACH RIDGE CAP TO THE HOLES IN THE RIDGE CAP SPLICE.

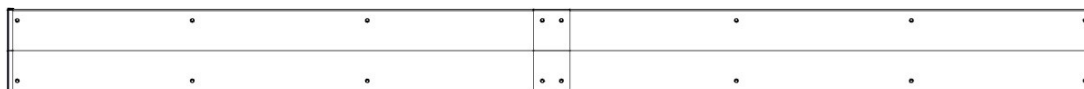
FINAL LENGTH - 9'- 9" [2974 mm]

REMOVE SPACER FROM RIDGE CAP PROTECTOR BEFORE INSTALLING



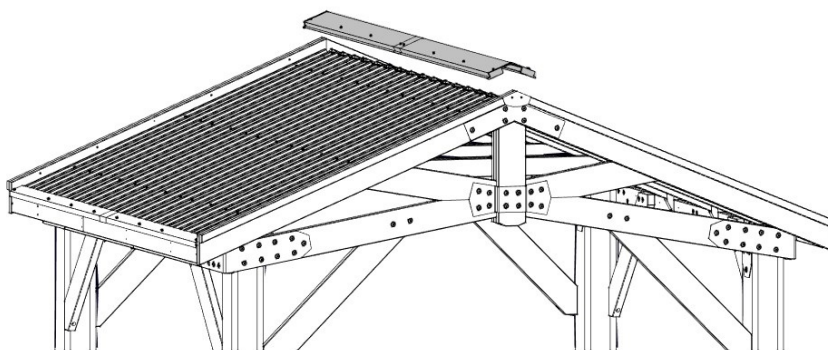
STEP 39 - GAZEBO ASSEMBLY

QTY	PART NUMBER	DESCRIPTION
16	H100392	SCREW PWH 8x3/4 BLK

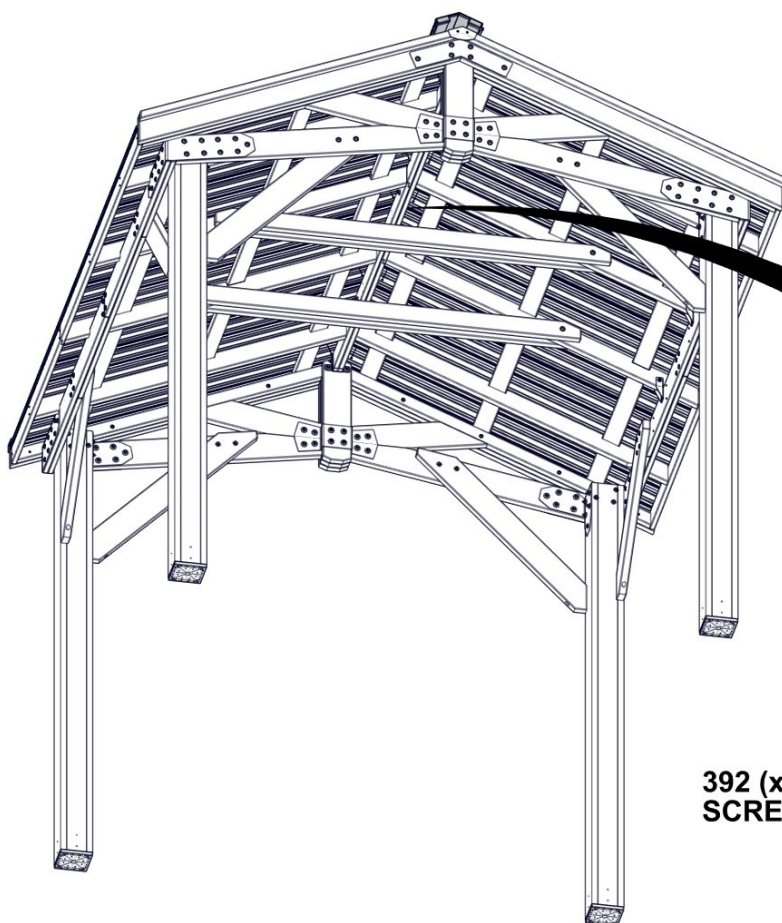


RIDGE CAP ASSEMBLY - FROM PREVIOUS STEPS

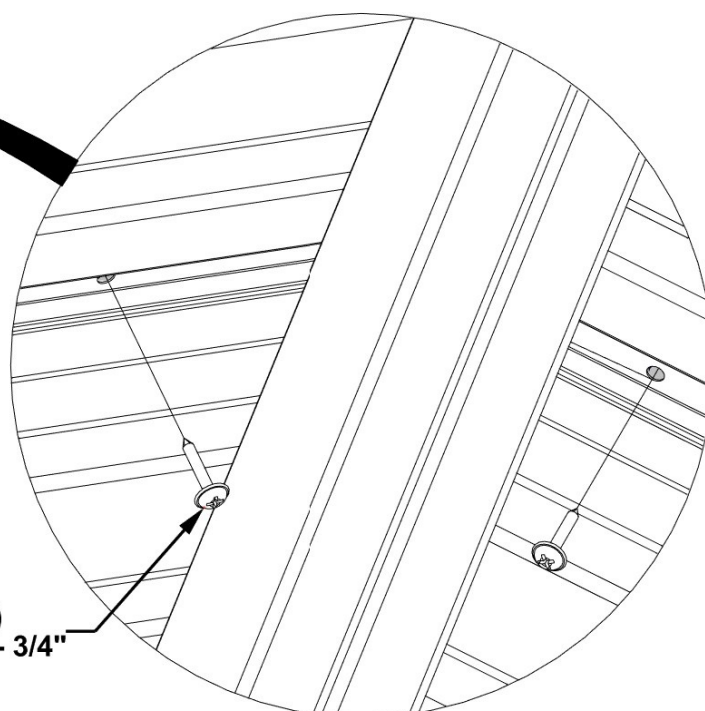
**DO NOT CLIMB ON ROOF TO INSTALL:
RIDGE CAP HAS BEEN DESIGNED TO
INSTALL WITH THE USE OF A LADDER.**



USING AN ADULT HELPER, SLIDE RIDGE CAP ASSEMBLY ACROSS THE ROOF RIDGE UNTIL BOTH ENDS SIT INSIDE RAFTERS AS SHOWN.



FOR PROPER INSTALLATION, USE AN ADULT HELPER TO KEEP DOWNWARD PRESSURE ON THE RIDGE CAP WHILE SCREWING IN SCREWS.

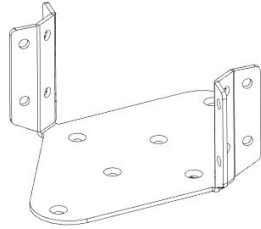


**392 (x16)
SCREW - 3/4"**

INSTALL SCREWS THROUGH PILOT HOLES IN ROOF PANELS INTO RIDGE CAP STIFFENER BOARDS.

STEP 40 - GAZEBO ASSEMBLY

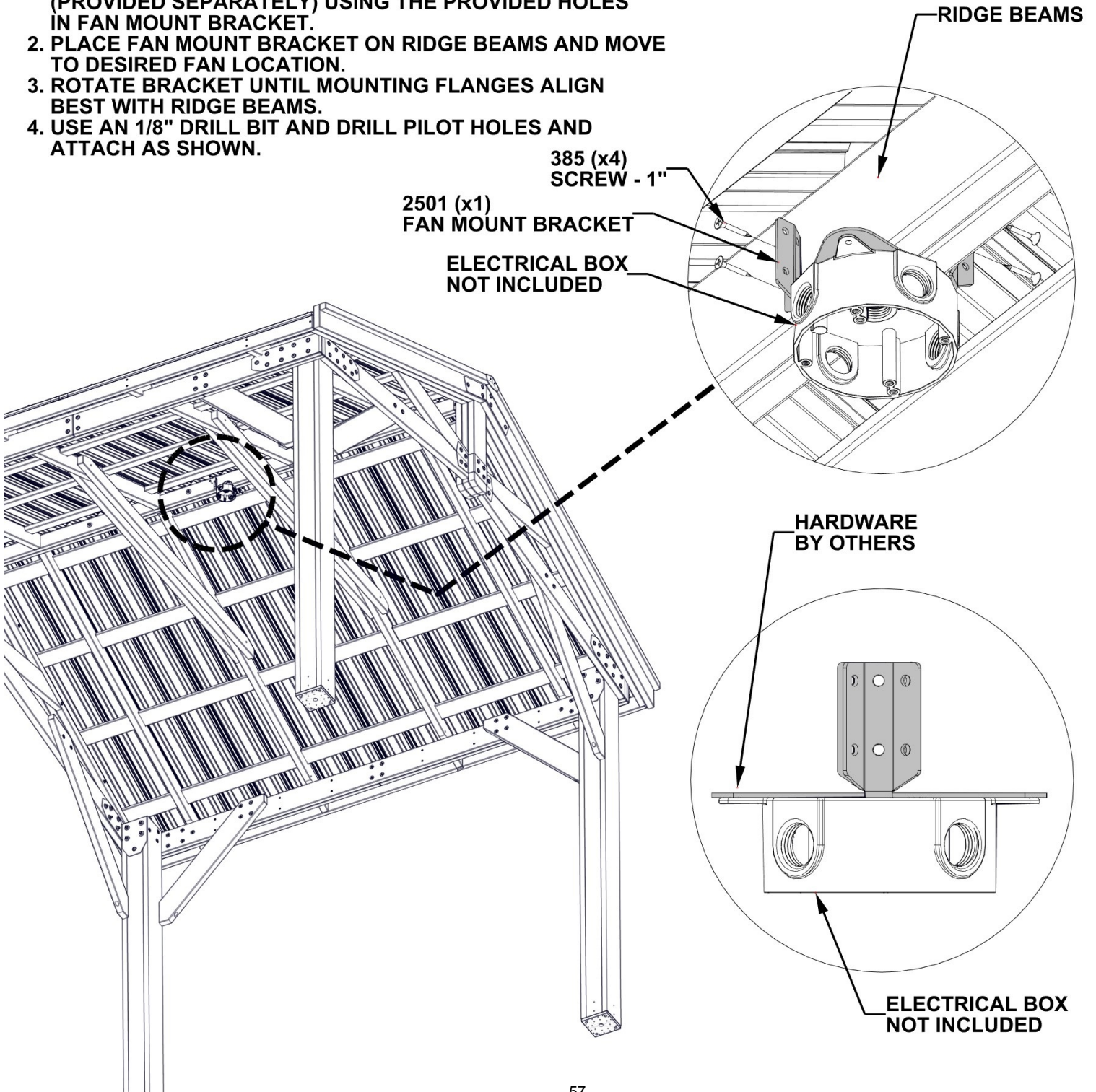
QTY	PART NUMBER	DESCRIPTION
4	H100385	SCREW PFH 8x1 BLK



A4M02501 FAN MOUNT BRACKET
(x1)

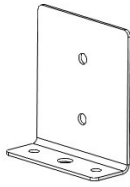
NOTES:

1. BEFORE MOUNTING, ATTACH YOUR ELECTRICAL BOX (PROVIDED SEPARATELY) USING THE PROVIDED HOLES IN FAN MOUNT BRACKET.
2. PLACE FAN MOUNT BRACKET ON RIDGE BEAMS AND MOVE TO DESIRED FAN LOCATION.
3. ROTATE BRACKET UNTIL MOUNTING FLANGES ALIGN BEST WITH RIDGE BEAMS.
4. USE AN 1/8" DRILL BIT AND DRILL PILOT HOLES AND ATTACH AS SHOWN.

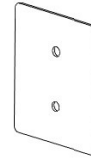


STEP 41 - GAZEBO ASSEMBLY

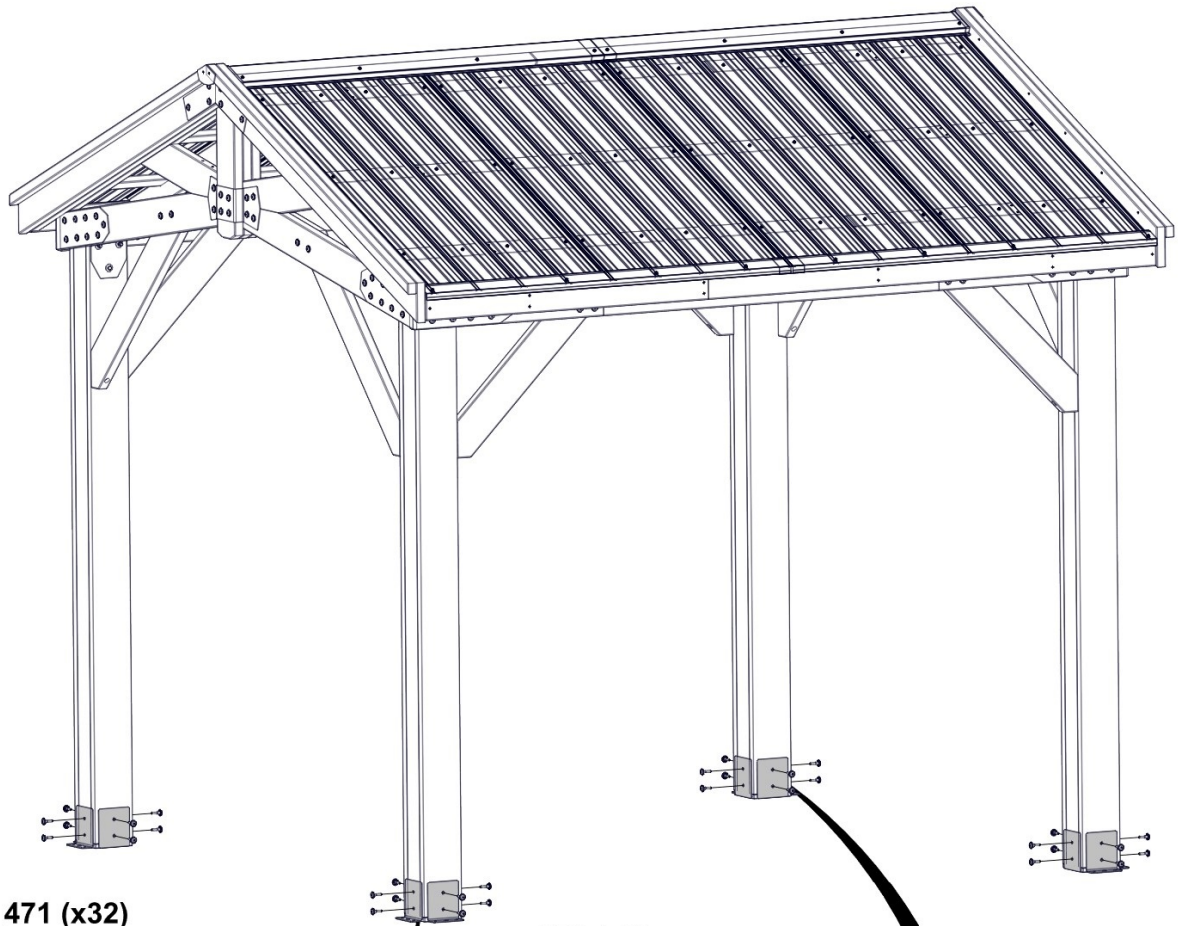
QTY	PART NUMBER	DESCRIPTION
32	H100471	LAG SCREW WH 5/16x1 1/2 BLK



A4M00977 POST ANCHORING
PLATE WITH FLANGE
(x8)



A4M00978 POST PLATE
(x8)



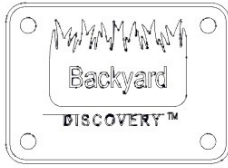
471 (x32)
LAG SCREW - 1 1/2"

978 (x8)
POST PLATE

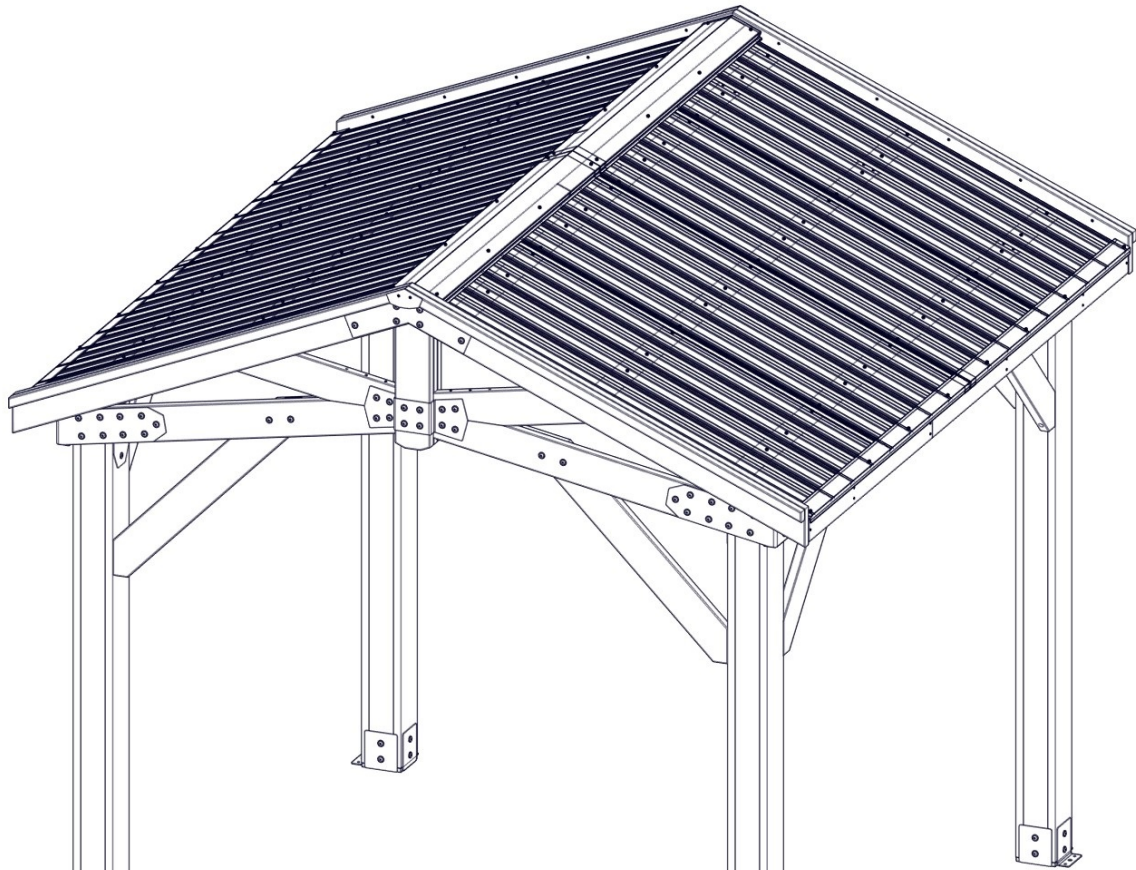
977 (x8)
POST ANCHORING
PLATE WITH FLANGE

STEP 42 - GAZEBO ASSEMBLY

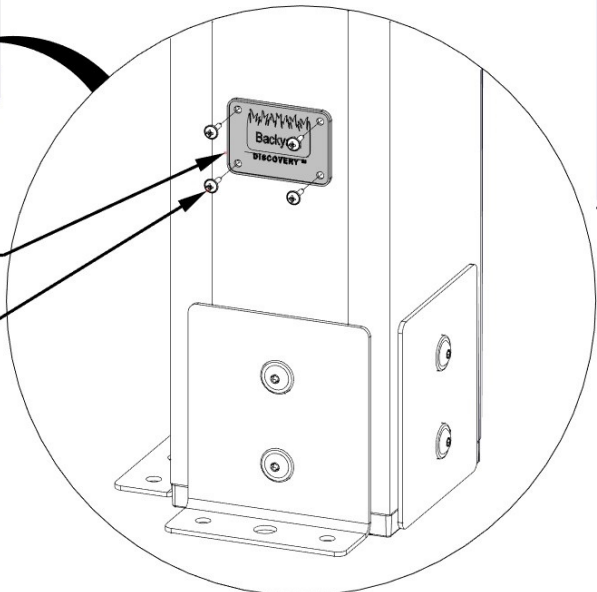
QTY	PART NUMBER	DESCRIPTION
4	H100202	SCREW PWH 8x5/8 BLK



A4M02158 BYD ID TAG PATIO
(x1)



2158 (x1)
BYD ID TAG PATIO
202 (x4)
SCREW - 5/8"

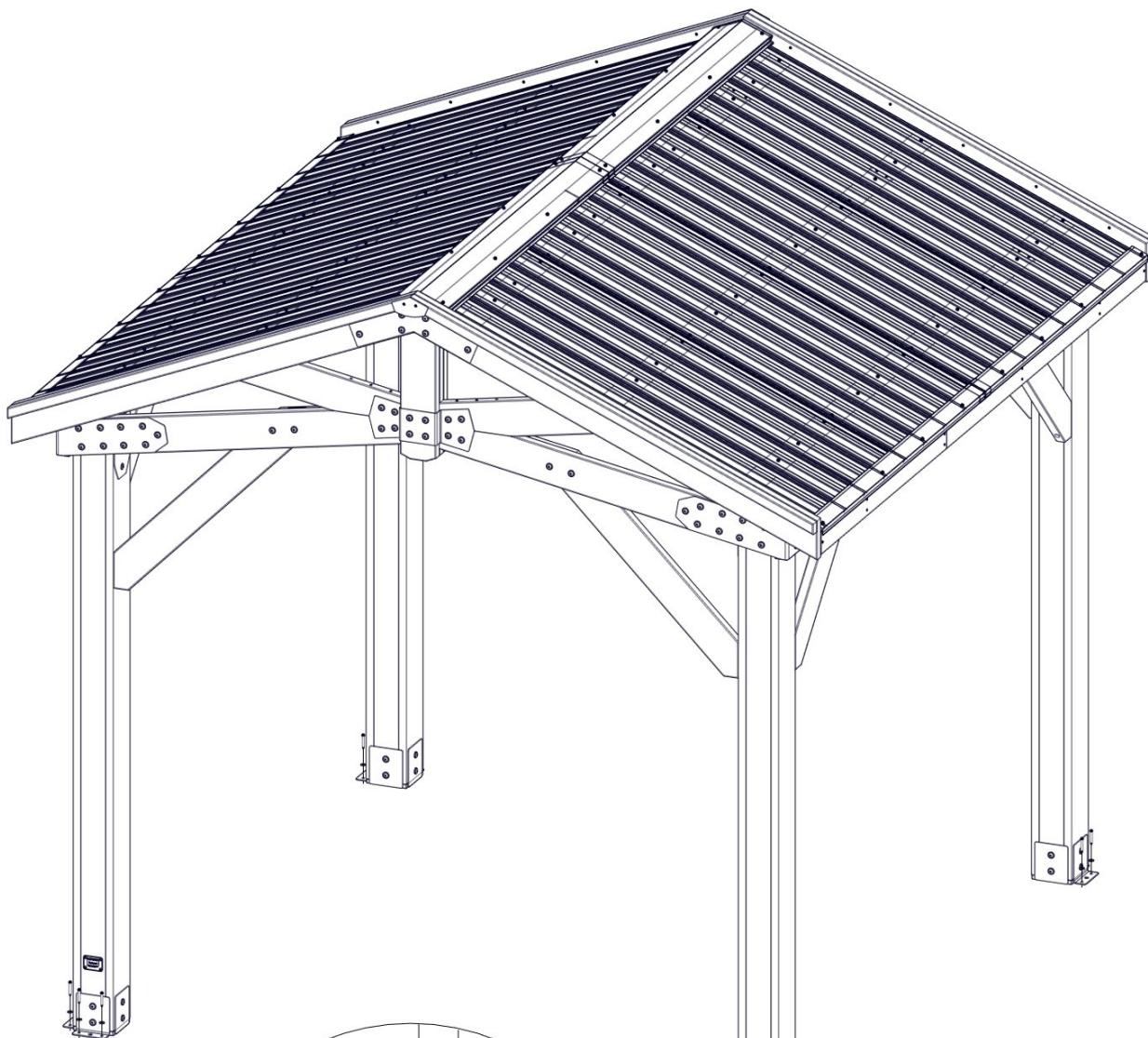


STEP 43 - GAZEBO ASSEMBLY

QTY	PART NUMBER	DESCRIPTION
16	H100630	WASHER FLAT 8x19 BLK
16	H100120	CONCRETE ANCHOR 1/4"x2"

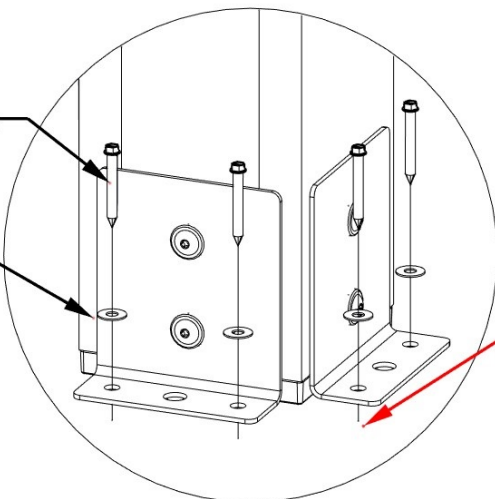
MANUFACTURER RECOMMENDS INSTALLATION ON CONCRETE SURFACE OR CONCRETE POST PAD AS SHOWN BELOW.

FOR INSTALLION ON WOOD DECK, YOU MUST ENSURE THERE IS AMPLE STRUCTURAL SUPPORT UNDER THE DECK. HARDWARE NOT INCLUDED FOR DECK ATTACHMENT.

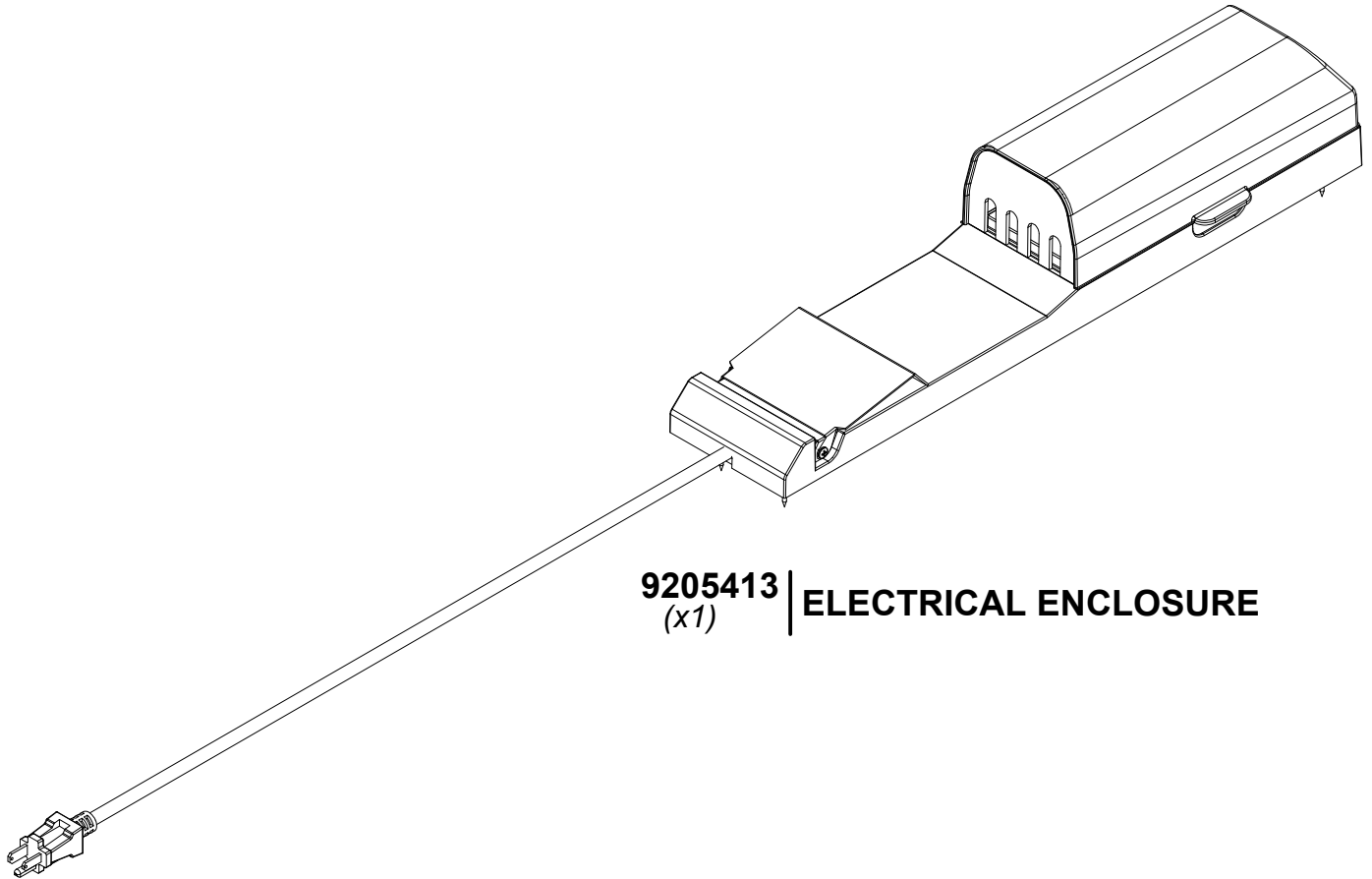


120 (x16)
CONCRETE SCREW-2"

630 (x16)
WASHER - 8x19



**PRE-DRILL HOLES FOR
CONCRETE ANCHORS USING
A 3/16" CONCRETE DRILL BIT.**



9205413 | **ELECTRICAL ENCLOSURE**
(x1)

FOR POWERPORT INSTALLATION REFER TO ASSEMBLY INSTRUCTIONS THAT COME PACKAGED WITH THE POWERPORT KIT. INSTALL ON ANY POST THAT IS DESIRED. FOLLOW DIRECTIONS FOR PROPER INSTALLATION.