



CAVALIER

### Specification Features

- LUXURIOUS BYPASS SLIDING SHOWER DOOR
- HIGH-END, POLISHED STAINLESS-STEEL HARDWARE
- AIRY FRAMELESS GLASS DESIGN, QUIET GLIDING OPERATION
- UP TO 4 IN. OF ADJUSTMENT FOR WIDTH, IF NEEDED
- UP TO 3/8 IN. FOR OUT-OF-PLUMB (UNEVEN WALLS)
- 5/16 IN. (8 MM) THICK CERTIFIED TEMPERED GLASS
- TWO CONVENIENT TOWEL BARS
- CLEARMAX WATER REPELLANT, STAIN RESISTANT COATING
- REVERSIBLE FOR RIGHT OR LEFT DOOR INSTALLATION

### Technical Information

- Model: Cavalier
- Door Type: Sliding Shower Door
- Dimensions: 60"W x 77 3/8"H
- Product Width Max: 60"
- Product Width Min: 56"
- Access Width Max: 27 1/4"
- Access Width Min: 23 1/4"
- Access Height Max: 73 5/8"
- Threshold Width Min: 2 3/4"
- Glass Thickness: 5/16" [8 mm]
- Glass Type: Clear

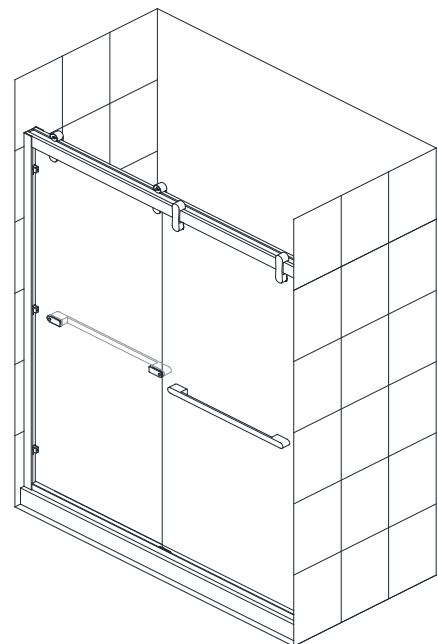
### Codes/Standards Applicable

- ANSI Z97.1 (Tempered Glass)
- 16 CFR Part 1201

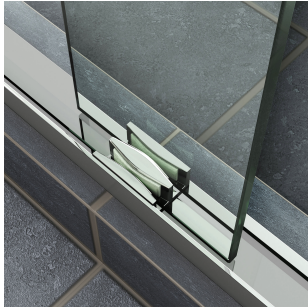
### Hardware Option:

- 08 - Polished Stainless Steel

**Model SKU#:** SHDR-1560760-08



## Unique Product Design Details:



Cavalier Shower Door Guide Block Detail



Top Guiderail & Rollers



Modern design Door Handle offers sophistication and style to the stunning Cavalier shower door

## Important Notes:

**IMPORTANT!** Before making your shower door selection, make sure walls are finished with tile or other materials, for proper measurements.

Install this product according to the installation manual. Professional installation is recommended.

This door is reversible. The inside door glass can be installed on either side of the shower, and should always be installed on the shower head side of the shower to avoid leaking between the doors.

Minimum threshold depth of 2 3/4 in. is required for proper installation.

Wall profiles designed to accommodate up to 3/8 in. for out-of-plumb (uneven walls).

Guiderails can be trimmed up to 4 in. for width adjustment.

DO NOT attach the handle to the door glass until instructed in the installation manual. DO NOT use the Handle to lift the glass during installation. This may result in damage to the glass and/or serious injury.

## Important Disclaimers:

- Prior to installation, please ensure that the installation surface is finished, level and solid and will be able to support the total weight of the unit. Also, make sure that the walls are plumb. Irregular installation, surface level or out of square conditions can result in serious problems for your installation.
- Please read Installation Manual thoroughly prior to installing this product.
- Please note that you should consult your local building codes with questions on installation compliance standards. Building and plumbing codes may vary by location, and DreamLine® is not responsible for code compliance standards for your project and will not accept any returns.

For commercial customers, we strongly recommend the use of Dreamline's Onsite Contractor Support option.

Dreamline's commercial warranty does not apply to damage or losses resulting from (i) other than normal and proper use and normal service conditions; (ii) improper installation, (iii) installation in or upon an unsuitable surface or areas; (iv) abuse, (v) accident, (vi) alteration, (vii) misuse, (viii) neglect, (ix) unauthorized repair or the failure to utilize suitably qualified and trained persons to perform service and/or repair of the Product, (x) improper maintenance, (xi) failure to follow installation, operating, cleaning or maintenance instructions, and (xii) use of "non-authorized" parts.