

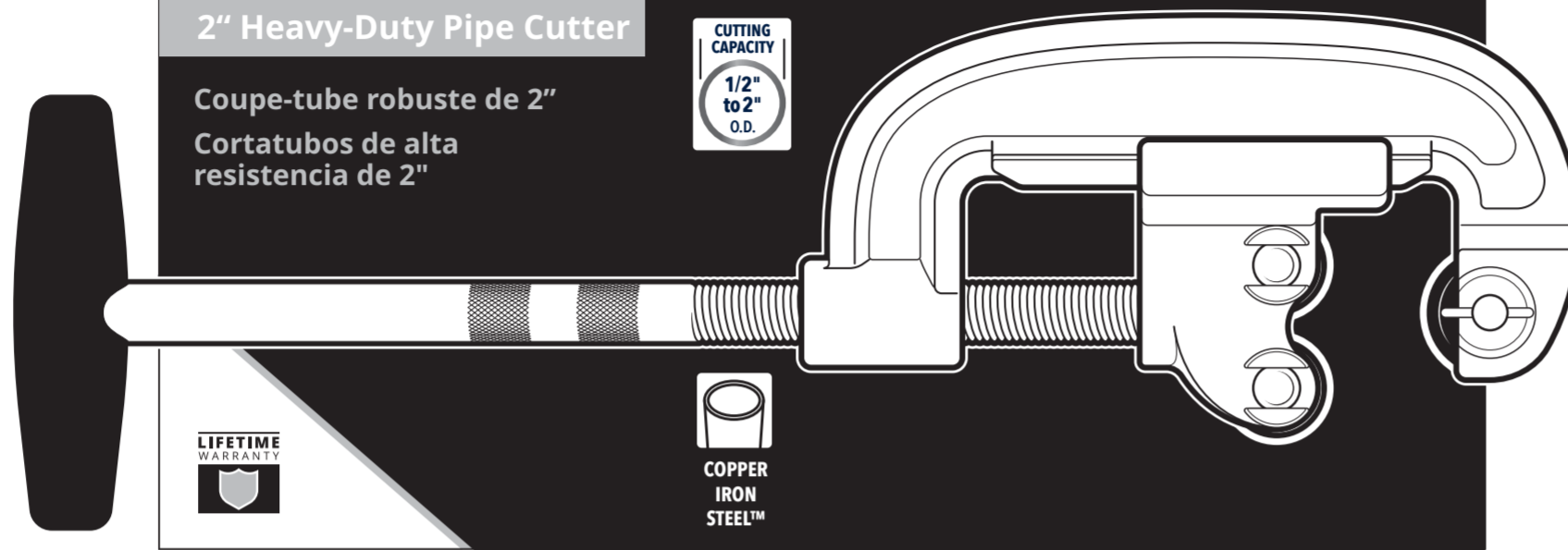
Superior Tool®

2802

2" Heavy-Duty Pipe Cutter

Coupe-tube robuste de 2"
Cortatubos de alta
resistencia de 2"

CUTTING
CAPACITY
1/2"
to 2"
O.D.



COPPER
IRON
STEEL™

2802

1 EA.

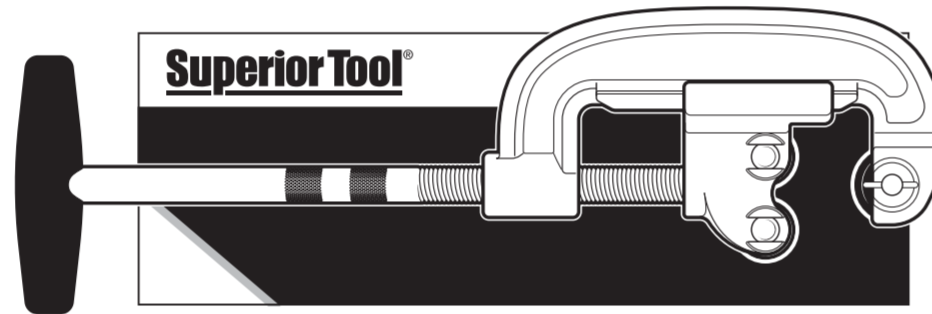
2" Heavy Duty Pipe Cutter



10017197028028

Made in China

Superior Tool®



2802

1 EA.

2" Heavy Duty Pipe Cutter



10017197028028

Made in China