

# SLIDING SHOWER DOOR WITH LARGE HANDLE AND TOWEL BAR

## *SHOWER DOOR INSTALLATION INSTRUCTIONS*

### **IMPORTANT!**

The manufacturer reserves the right to alter, modify, or redesign products at any time without prior notice for the purpose of product improvement and customer experience. Please refer to the manufacturer's website for the latest technical drawings, installation manuals, warranty information, or additional product details.



PLEASE REVIEW THIS ENTIRE MANUAL PRIOR TO INSTALLATION

© 2026  
All Rights Reserved

© 2026  
All Rights Reserved

Record the following purchase information for your records or in the event you need to contact the manufacturer:

Purchase Order  
Number \_\_\_\_\_

Store/Vendor  
Purchased From \_\_\_\_\_

Installation Date \_\_\_\_\_

OD Number  
(optional) \_\_\_\_\_

Installed By \_\_\_\_\_

SKU Number \_\_\_\_\_

## Table of Contents

Section Title	Page #
Warnings and General Preparation	2
Model Specific Preparation	3
Tools	4
Detailed Diagram of Shower Door Components	5
Parts List	6-7
Installation Steps	8-24
Product Maintenance	25
Troubleshooting	26
Factory Parts Information	27-28

## Symbol Legend

**TIP** - for ease of installation

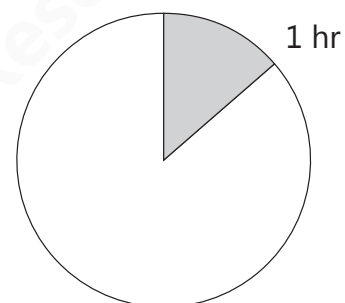
**NOTE** - take note of special feature; additional information

**REQUIRED** - requires special attention; signifies a warning

**CORRECT** - recommended

**INCORRECT** - not recommended

Average Installation Time



This product should be installed by someone familiar with the construction requirements for this type of product and the care necessary for the safe installation and operation of the product.

# WARNING DISCLOSURE STATEMENT

## IMPORTANT

- The manufacturer reserves the right to alter, modify, or redesign products any time without prior notice for product improvement and customer experience.
- This product should be installed by someone familiar with the construction requirements for this type of project and the care necessary for the safe installation and operation of the product.
- The safety of any installation is the responsibility of the installer.
- Professional installation recommended. (*All Models*)
- Professional installation required. (*Some Models - See "Model Specific Preparation" page*)
- To prevent damage or serious injury, **Do Not** lean against the installed panel/door/glass.
- To prevent damage or serious injury, **Do Not** attempt to lift or move a heavy lite of glass alone. Use an assistant and/or a professional-grade glass suction cup.
- The installation of some models may require drilling down into the threshold. Contact the manufacturer of the base, tub, or threshold material with any questions regarding the drilling of holes into their product.
- All drawings in this installation manual are for illustrative purposes only and are not drawn to scale.

## TEMPERED GLASS WARNING

- **Your Shower Door Glass Could Shatter Without Warning if Improperly Installed or Mishandled.**
- **Do Not** install or operate a shower door if the glass has chipped corners, slivered edges, or is otherwise damaged and/or has been dropped or banged into a hard surface such as tile, marble, or glass.
- **The main causes of tempered glass breakage are:**
  - Improper handling, storage, or installation
  - Misuse/abuse
  - Lack of maintenance
  - Failure to replace damaged glass
- **Improper handling during storage, unpacking, and installation:**
  - Corners and edges are the most susceptible area to damage on a lite of tempered glass and should be protected and handled with care during storage, unpacking, installation, and operation. A concentrated point of pressure or impact with a surface harder than itself may cause the tempered glass to shatter. The tempered glass may release immediately, within several hours, or even days later.
- **Incorrect installation of door hardware, rollers, hinges, channels, stoppers, or glass:**
  - Improper installation may include: loose hardware and/or lack of proper gaskets between the hardware and glass. Additionally, improper alignment of guide rails, wall profiles, or other hardware during installation or operation may place stress on the glass edges and cause it to break.
  - This product must be installed by a professional and experienced installer familiar with the safe handling of tempered glass.
- **Improper use of this product:**
  - Aggressively opening or closing the door may cause trauma to the glass, which can lead to breakage. This may occur immediately or hours or even days later.
- **The shower door hardware and glass should be inspected periodically:**
  - Instruct the homeowner how to perform a periodic inspection of the shower hardware and glass - some minor adjustments may be necessary based upon the use (or misuse) of the shower door. Ensure that the hardware remains tight and that the door alignment and operation are correct. Any adjustments should be made upon discovery to prevent damage to the product.
  - Additional considerations should be given to the installation of frameless tempered glass products in households with young children or an elderly person due to an increased chance of improper handling. In such cases, alternatives such as shower curtains or grab bars should be considered.

## GENERAL PREPARATION

- After opening all boxes and packages, read this introduction carefully. Check that all the items are included in the package by marking off the components on the "**Detailed Diagram of Product Components**" page. Examine all boxes and packages for shipping damage. If the unit has been damaged, has a finishing defect, or is missing parts, please contact our Customer Support department within 3 business days of the delivery date. **Please note that the manufacturer will not replace any damaged products or missing parts free of charge after 3 business days or if the product has been installed.** Please contact the manufacturer if you have any questions.
- **Please note that you should refer to your local building codes with questions on installation compliance standards. Building and plumbing codes may vary by location, and the manufacturer is not responsible for code compliance standards for your project and will not accept any returns on that basis.**
- If this unit is going to be installed in a new construction, install all the required plumbing and drainage before installing the shower. **Use a competent and licensed (if required by local code) plumber for all plumbing installation.**
- Make sure that prior to beginning the installation, the surfaces are leveled and solid and will be able to support the total weight of the unit. Also make sure the walls are at right angles. Irregular installation surface level, radius corners, or improper angle of side walls will result in serious problems for your installation. Please note that some adjustments and drilling will be necessary during the installation process.
- Protect all primary surfaces of the product during installation. Never set your glass down directly onto a tile floor. Leave corner protectors in place until it is necessary to remove them. Always use a piece of wood or cardboard to protect the bottom edge and corners of the glass prior to and during installation.
- This unit must be installed upon a finished threshold and against finished walls.
- **Shower doors are not designed to be installed into a fiberglass surround due to the radius corners and lack of a solid surface to mount the hardware.**

## WARNING: TO AVOID THE RISK OF DAMAGE OR INJURY:

- **Follow all recommendations and requirements as shown in the installation instructions.**
- Perform a thorough inspection of the glass and all parts for any damage prior to installation. Any damage to tempered glass can cause breakage. **Do Not install damaged glass!**
- **Do Not** install or operate a shower or tub door if the glass has chipped corners, slivered edges, or is otherwise damaged. **Do Not** install or operate a shower or tub door that has been dropped or banged into a hard surface such as tile, marble, or glass.
- **CAUTION:** Contact with any hard surface can damage tempered glass and cause it to shatter.
- This product uses tempered glass. Glass cannot be cut after it has been tempered. **Do Not attempt to cut tempered glass!**
- Glass Shower Doors, Tub Doors, Inline Panels, and Return Panels can shatter due to improper handling or lack of maintenance. Conduct periodic inspections of glass and all parts for possible damage, missing or loose parts.
- Always wear proper safety equipment such as safety goggles, work gloves, and appropriate footwear during the installation process.
- **WARNING:** Risk of leakage and/or damage. Follow all instructions regarding the application of silicone sealant or caulk. Allow 24 hours for the sealant to cure before the initial use of the shower or tub product. Follow the silicone manufacturer's recommendations regarding the use of their product.
- **Thoroughly read these instructions before installing or using this product.**
- **Leave this manual for the end-user of the product.**



This product should be installed by someone familiar with the construction requirements for this type of project and the care necessary for the safe installation and operation of the product.

# Model Specific Preparation

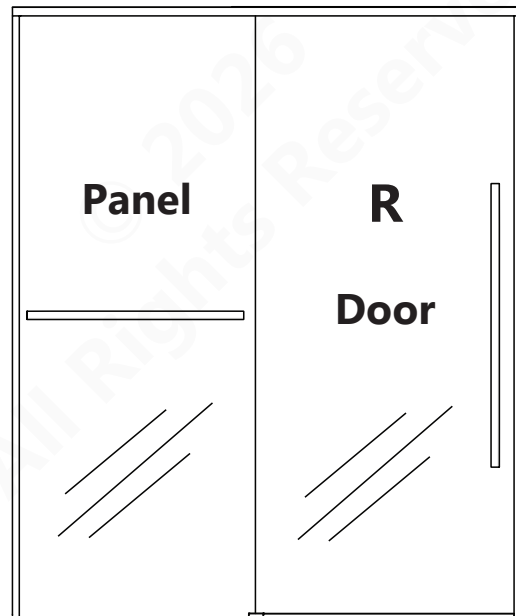
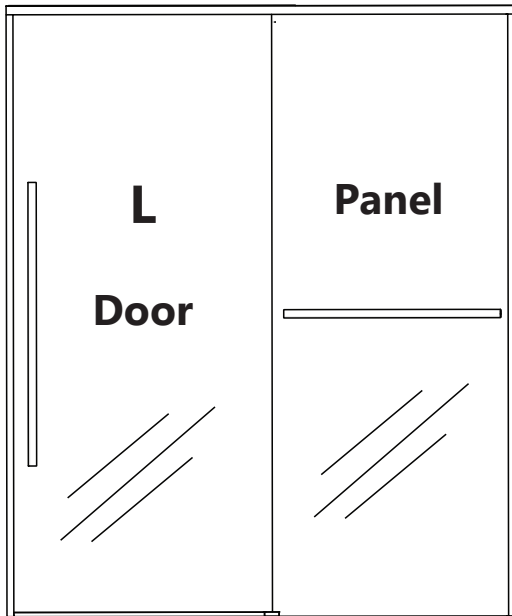
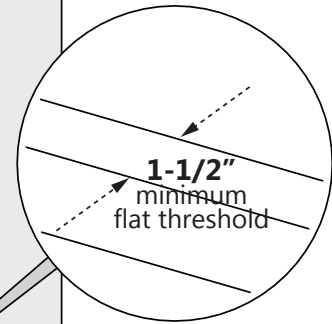
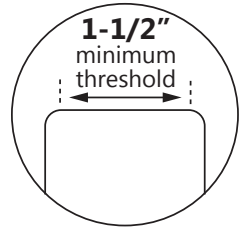
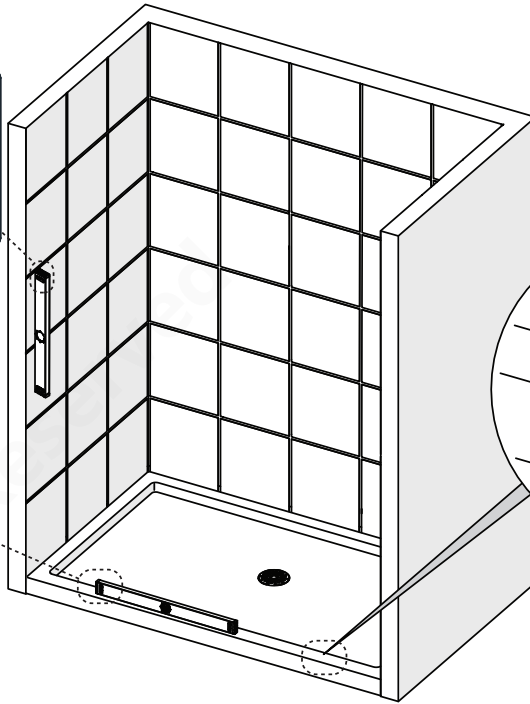
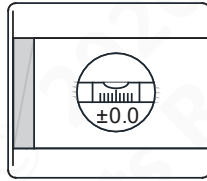
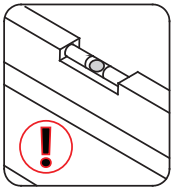


## REQUIRED:

This model has 1/4" of out-of-plumb adjustment. Verify threshold and walls with a level.



Threshold must be level

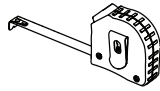


This door is reversible for right or left-hand door installation. The right-hand door installation is shown as an example throughout this manual.

## Tools



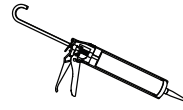
Level



Tape Measure



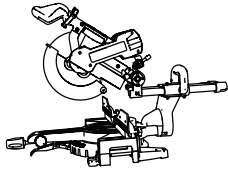
Pencil



Caulk Gun &amp; Silicone



Razor Knife



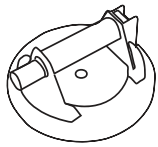
Chop Saw



Power Drill



Screw Gun

Drill Bit  
Ø1/8"  
(3mm)Drill Bit  
Ø5/16"  
(4mm)Professional-grade  
glass suction cup

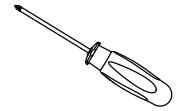
Work Gloves



Safety Glasses



Painter's Tape

Philips  
Screwdriver

Verify that the correct model size has been ordered; measure the finished opening **before** proceeding with the installation.

Confirm that the finished walls are plumb and the threshold is level and pitched into the shower area.



**Use a good quality waterproof, mildew-resistant 100% silicone caulk.**

Cover the shower/tub drain with tape prior to installation to prevent the loss of screws or small parts.

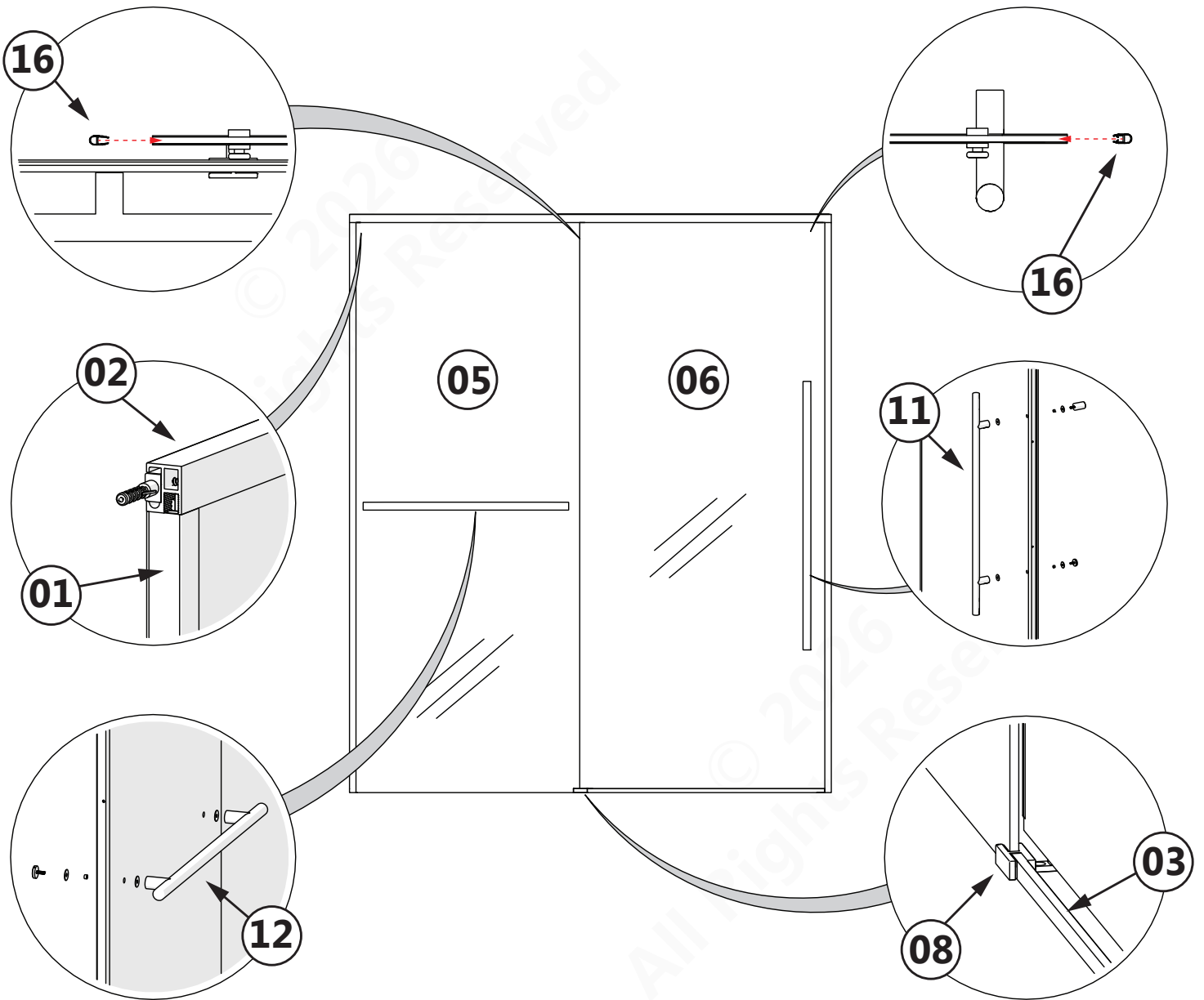
Use a type of drill bit that is appropriate for drilling into the finished surface material.

Use a saw blade that is appropriate for cutting the aluminum rails.

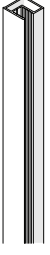
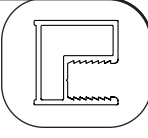


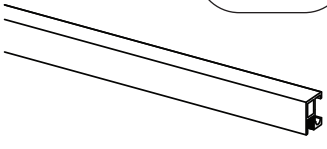

Unpack your unit carefully and inspect it. Lay it out and identify all parts using the Detailed Diagram on **page 5**; and packing list in this manual as a reference. Before discarding the carton, check for small hardware bags that may have fallen to the bottom of the box. If any parts are damaged or missing, please contact the manufacturer for replacement. The shipping boxes may contain extra parts not used in your model configuration. Retain these installation instructions for future reference.

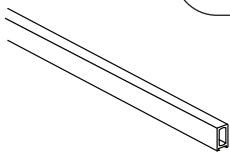
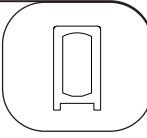
# Detailed Diagram of Dawn Shower Door Components





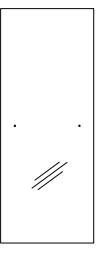
# Parts List

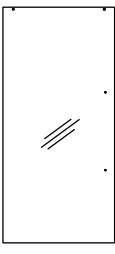
**01**    
Wall Profile **x2**

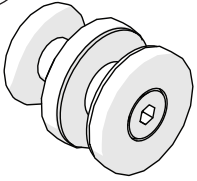
**02**    
Top Guide Rail **x1**

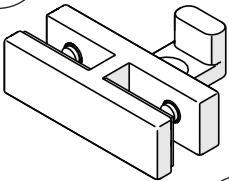
**03**    
Dam Strip **x1**

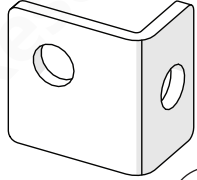
**04**    
Decorative Profile **x1**

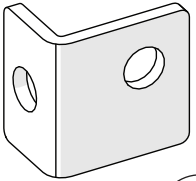
**05**   
Panel Glass **x1**

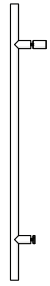
**06**   
Door Glass **x1**

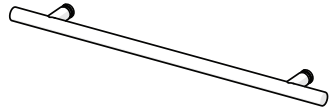
**07**   
Roller Assembly **x2**

**08**   
Guide block **x1**

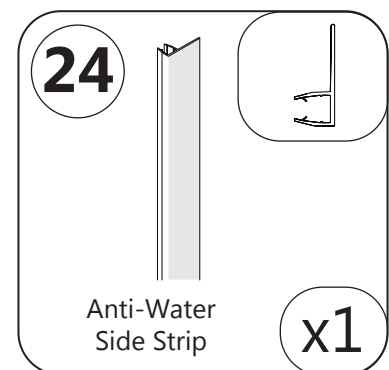
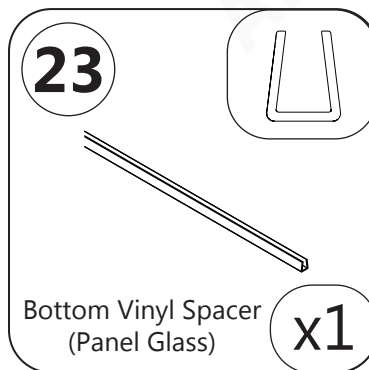
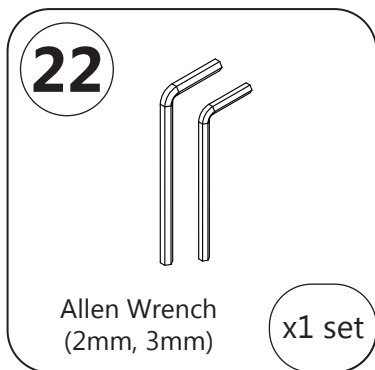
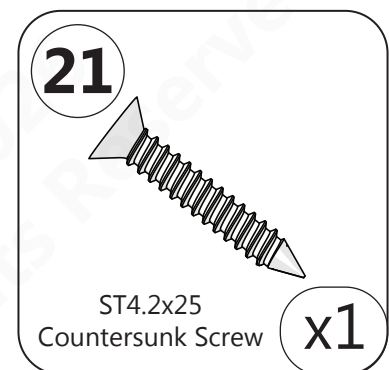
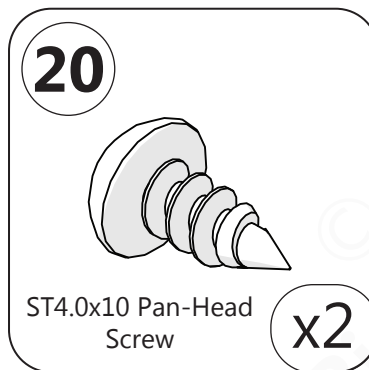
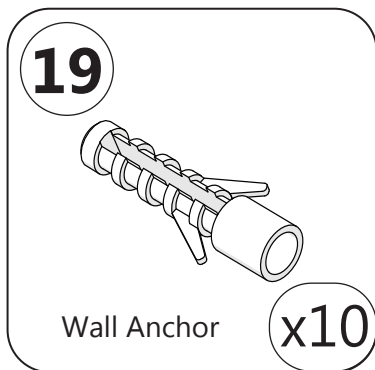
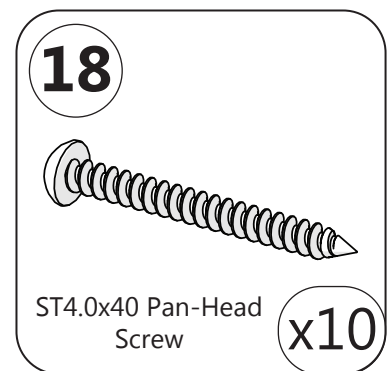
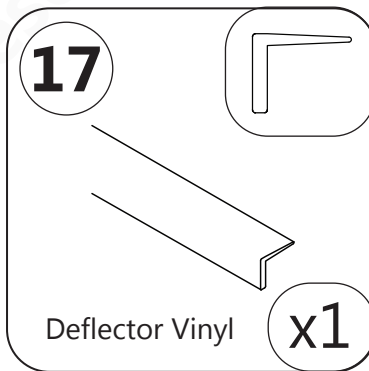
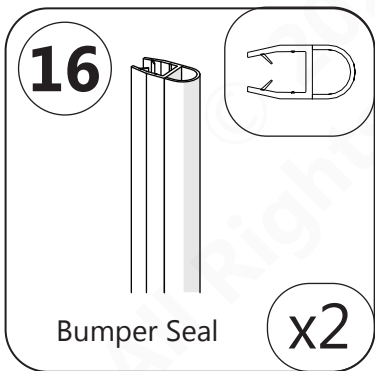
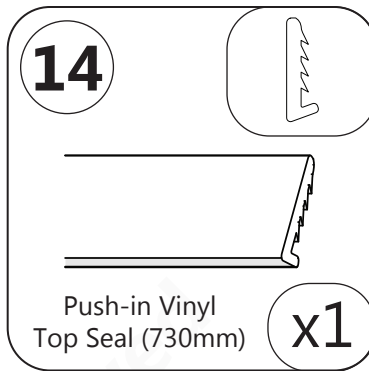
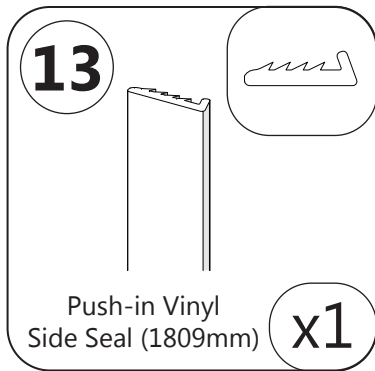
**09**   
Guide Rail Bracket (LEFT) **x1**

**10**   
Guide Rail Bracket (RIGHT) **x1**

**11**   
Handle Assembly **x1**

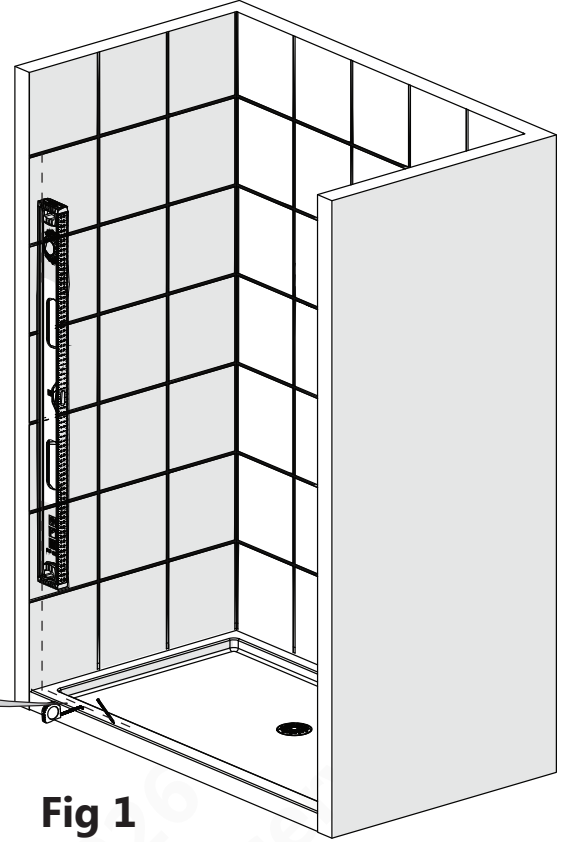
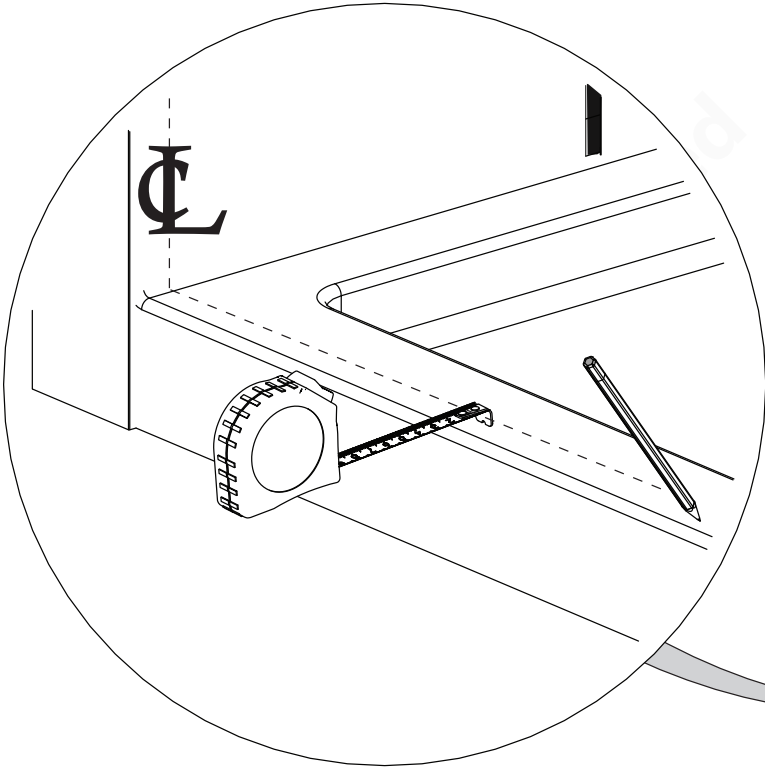
**12**   
Towel Bar Assembly **x1**

## Parts List (Continued)



# 1

## Installation Steps



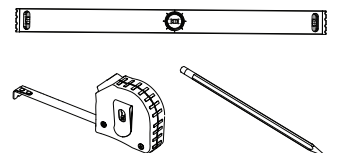
**⊕** = Center Line

Fig 1



Mark a center line across the threshold and up both walls, keeping in mind that the depth of the door is 1-1/2"

### Tools Needed



2

# Installing the Wall Profiles

(Repeat steps for left and right sides)

Using the Center Line reference, position the **Wall Profile (#01)** on the wall. Use a 4 FT level to ensure the **Wall Profile** is perfectly plumb, then mark the hole locations for drilling.

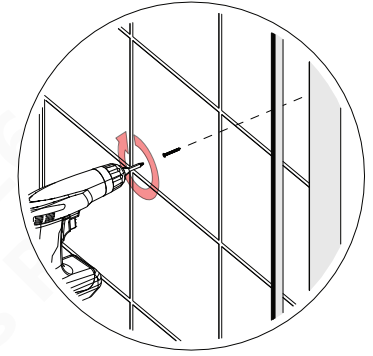
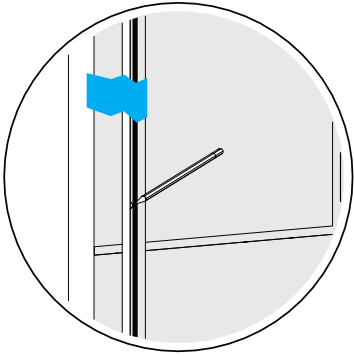
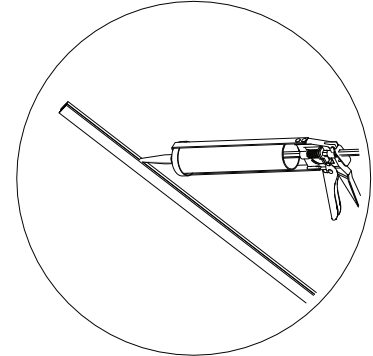
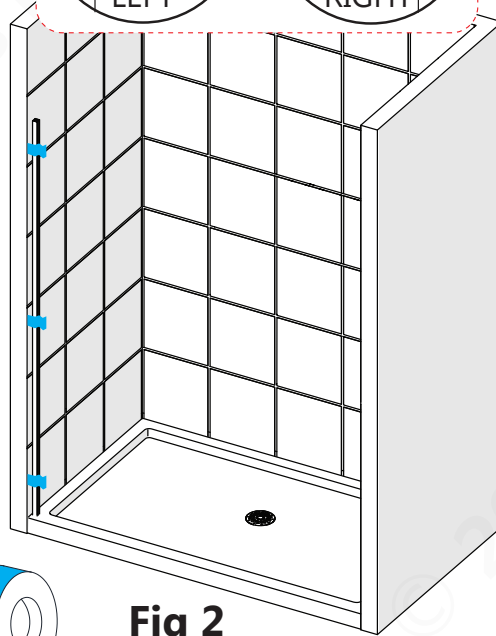
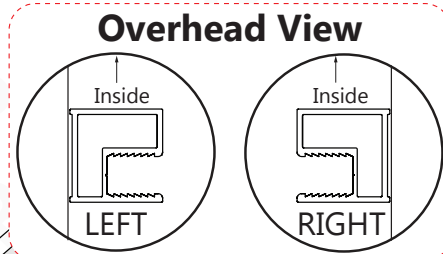
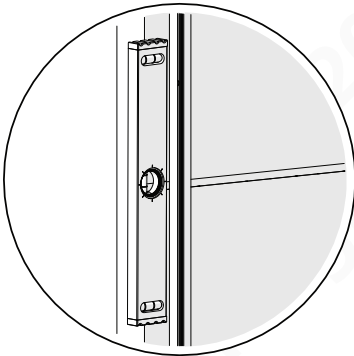
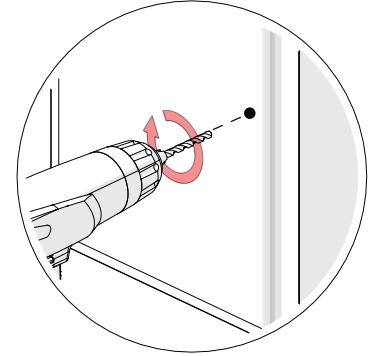
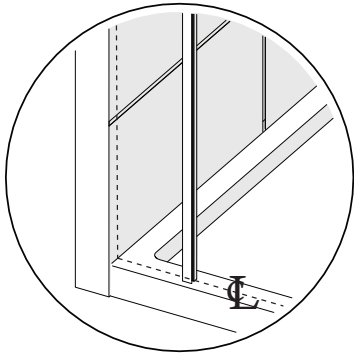


Fig 2

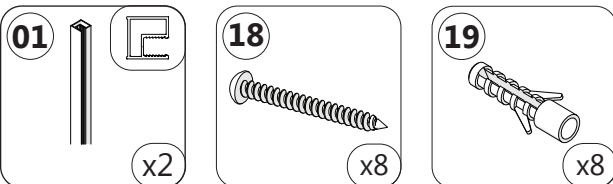


Tape Profiles in place while marking for drilling to prevent any shifting

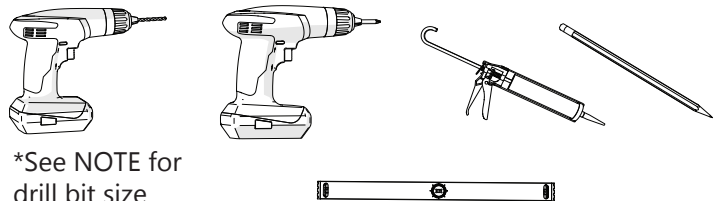


- **If a stud is present behind the wall**, drill a  $\varnothing 3/16"$  (4mm) hole up to the stud, a  $\varnothing 1/8"$  pilot hole into the wood, and use the **ST40. x 40 Pan-Head Screws (#18)**.
- **If no stud is present behind the wall**, drill a  $\varnothing 5/16"$  (7mm) hole and insert the **Wall Anchors (#19)** and use the **ST40. x 40 Pan-Head Screws (#18)**.

### Parts Needed



### Tools Needed



\*See NOTE for drill bit size

# 3a

## Installing the Panel Glass



For the safest and easiest way to lift and maneuver the glass, use a professional-grade glass suction cup

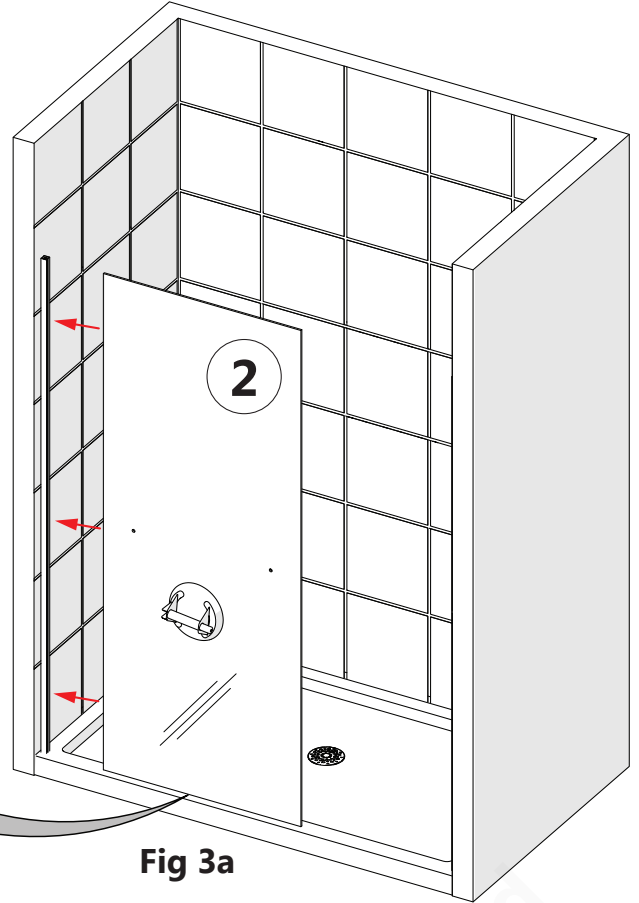
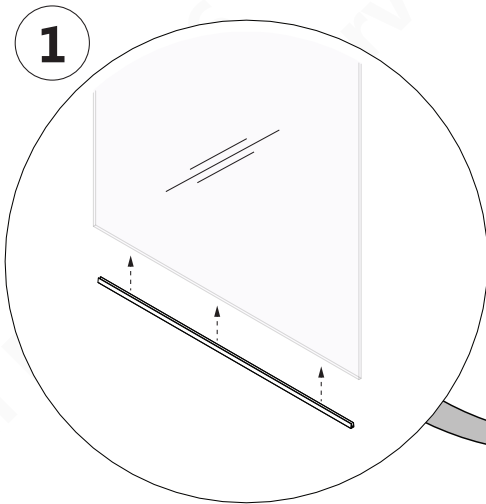
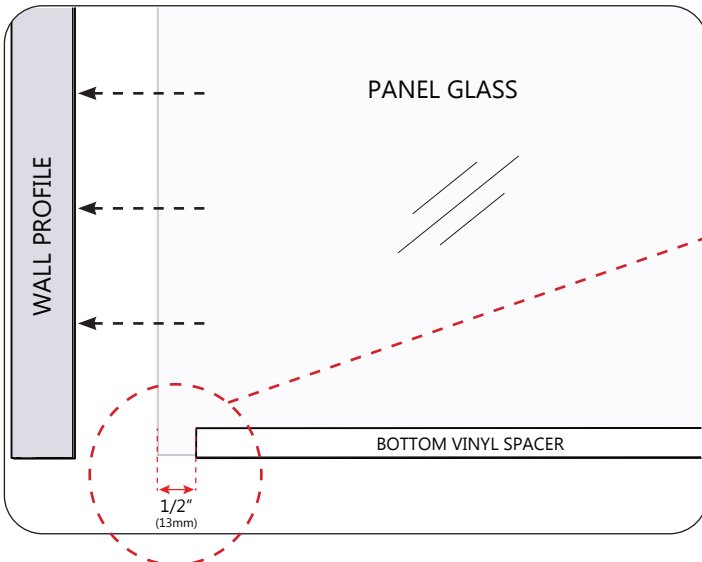
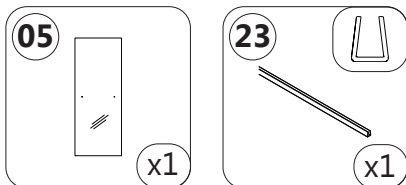


Fig 3a

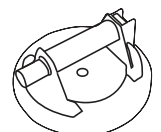


1. Install the **Bottom Vinyl Spacer (#23)** onto the bottom edge of the **Panel Glass (#05)**. On the side of the **Panel Glass** that will install into the **Wall Profile**, leave a **1/2" (13mm)** space between the edge of the **Panel** and the **Bottom Vinyl Spacer**. The **Bottom Vinyl Spacer** will protect the bottom edge of the **Panel Glass** from direct contact with the threshold.
2. Once the **Bottom Vinyl Spacer** is installed, carefully lift the **Panel Glass** onto the threshold and insert it all the way into the glass slot on the **Wall Profile (#01)**.

### Parts Needed



### Tools Needed



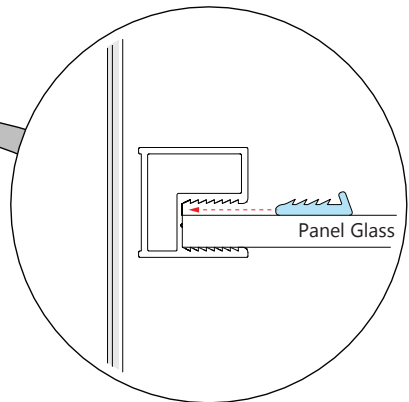
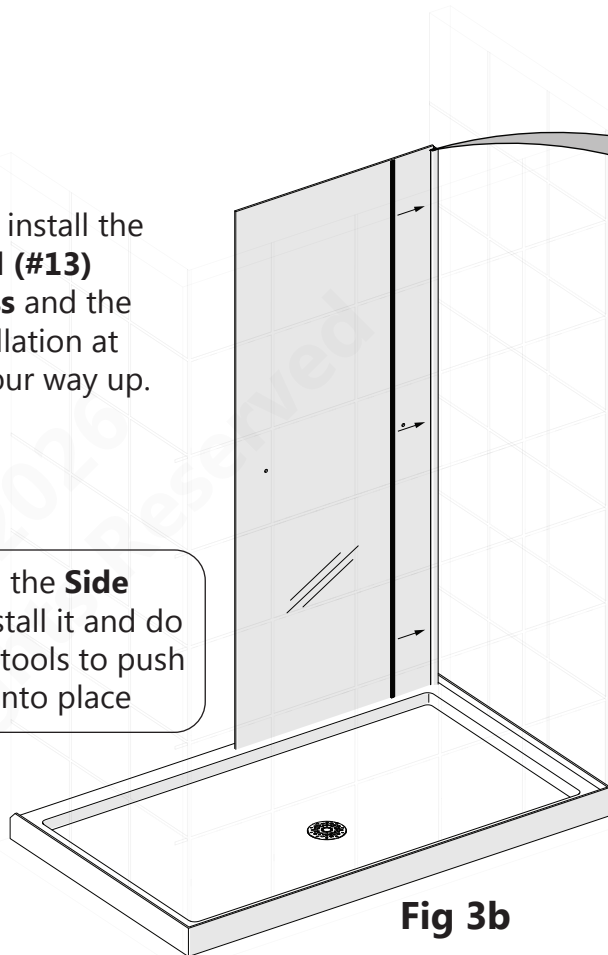
# 3b

## Installing the Panel Glass (continued)

From inside the shower, install the **Push-in Vinyl Side Seal (#13)** between the **Panel Glass** and the **Wall Profile**. Start installation at the bottom and work your way up.



Do **not** stretch the **Side Seal** as you install it and do **not** use metal tools to push the **Side Seal** into place



Overhead Views

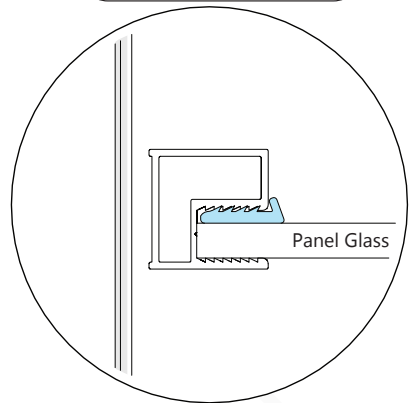
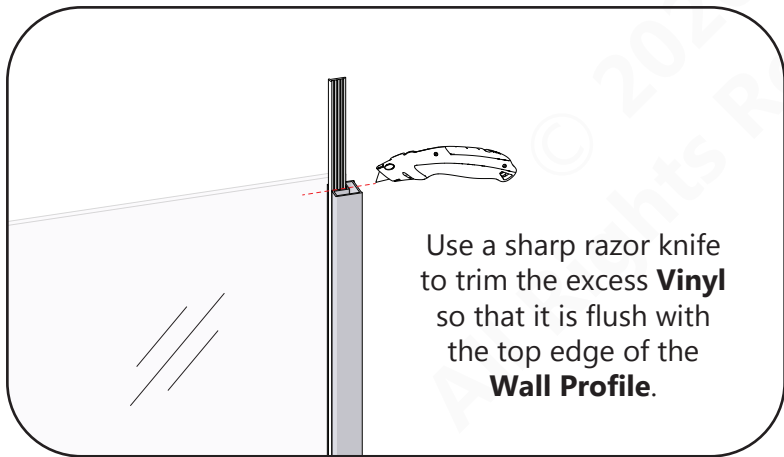
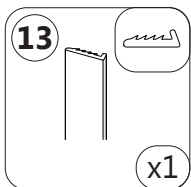


Fig 3b

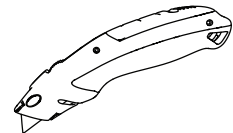


Use a sharp razor knife to trim the excess **Vinyl** so that it is flush with the top edge of the **Wall Profile**.

### Parts Needed

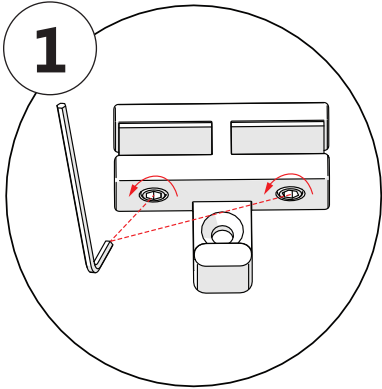


### Tools Needed

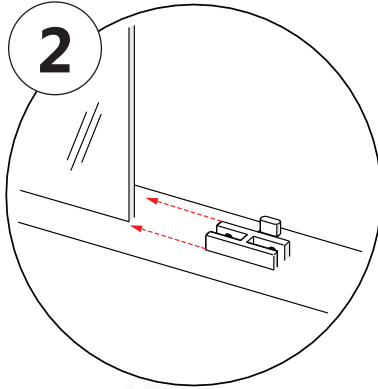


# 4

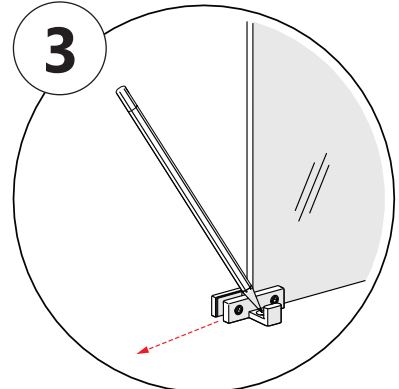
## Installing the Guide Block



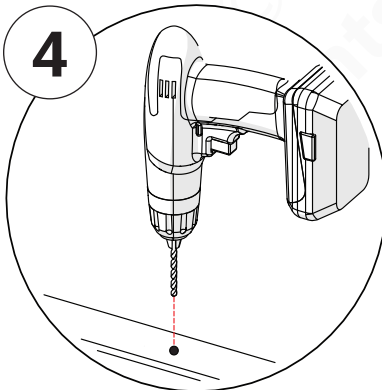
Loosen the set screws on the **Guide Block (#08)** making sure to **not** remove the set screws entirely from the **Block**.



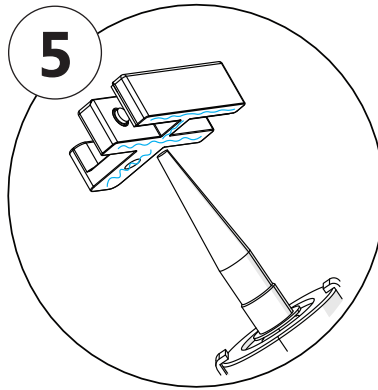
Slide the **Guide Block** into place making sure it is square to the threshold and that the **Panel Glass** is seated all the way into the slot.



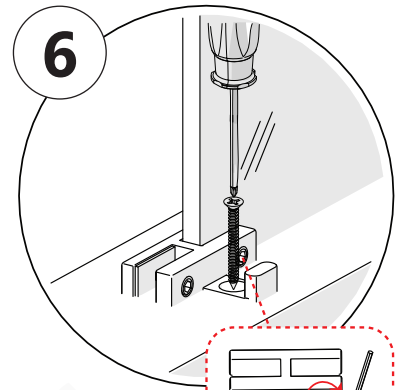
Mark the hole location for drilling and remove the **Guide Block**.



Drill the hole in your threshold where you marked.



Apply silicone to the underside of the **Guide Block**.





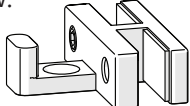
Using a handheld Philips screwdriver, fasten the **Guide Block** to the threshold, then re-tighten the set screw on the **Panel Glass** side of the **Guide Block**.

### NOTE

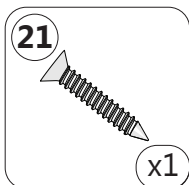
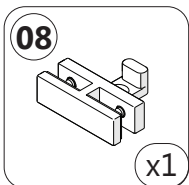
The manufacturer recommends, but does not require the **Guide Block** to be fastened with a screw. If you are not fastening with a screw, skip #3, #4, & #6 in this installation step.

- For installation into an **acrylic threshold**: drill a **Ø1/8 (3mm)** hole and use the **ST4.2 x 25mm Countersunk Screw (#21)**.
- For installation into a **tile threshold**: drill a **Ø3/16" (4mm)** hole up to the stud and use the **ST4.2 x 25mm Countersunk Screw (#21)**.

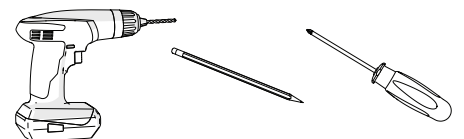
There is a tiny rubber tip on the Guide Block set screw that prevents the screw from direct contact with the glass, and this rubber tip must be in place before tightening the set screw.

### Parts Needed



### Tools Needed



# 5

## Installing the Dam Strip



Before beginning this step, remove the vinyl gasket from only the side where you will be installing the **Dam Strip (#03)**. The gasket on the side with the **Panel Glass** must remain in place to prevent any glass-to-metal contact.

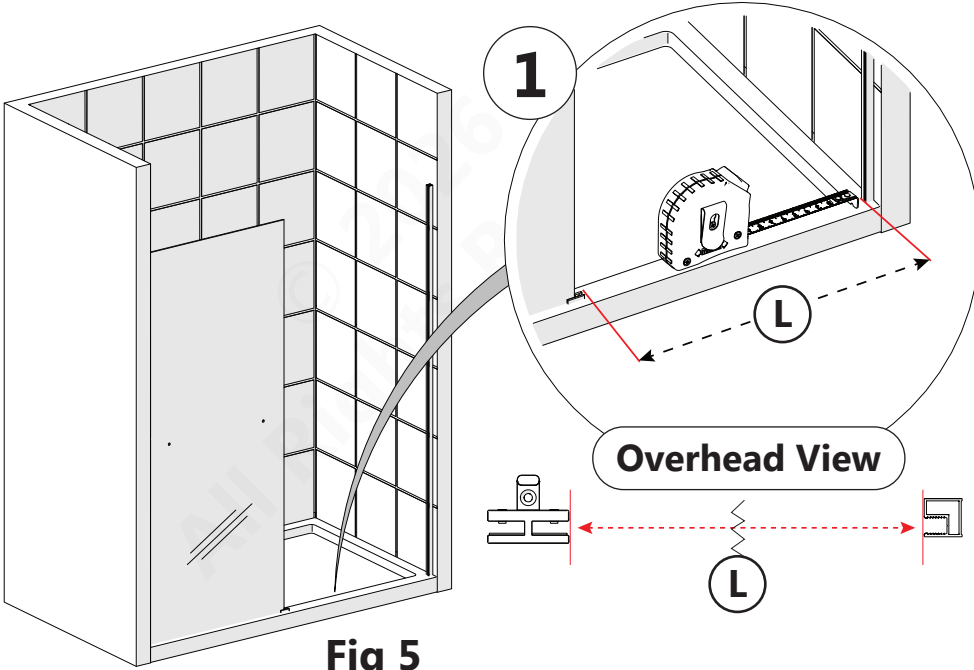
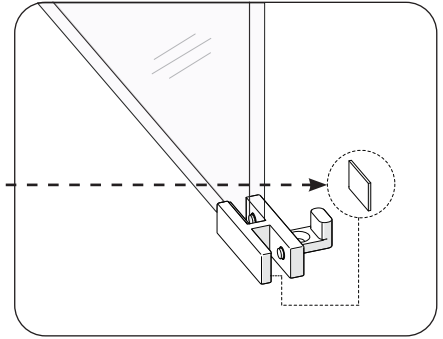
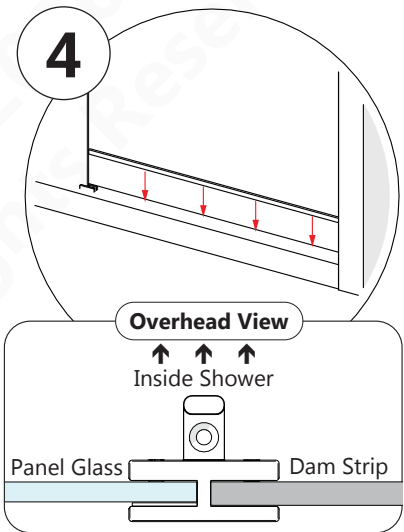
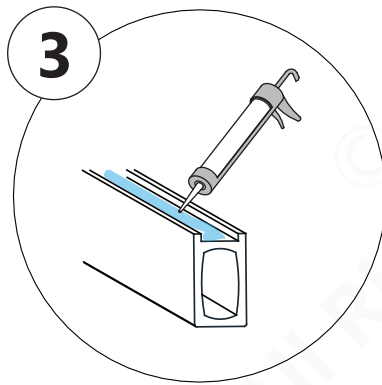
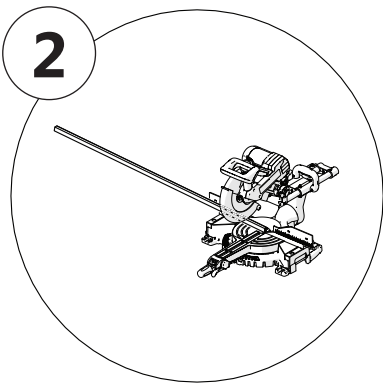


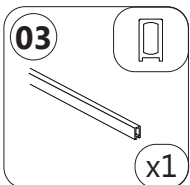
Fig 5

Measure the distance between the outside edge of the **Guide Block (#08)** and the outside edge of the **Wall Profile (#01)**. Use this measurement ("**L**") in the below formula to determine the finished cut length ("**F**") of the **Dam Strip**.

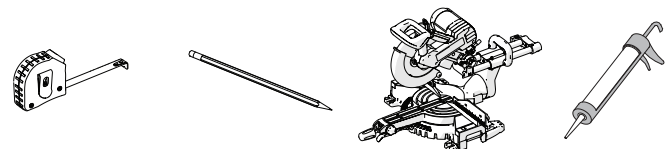
$$L + 1-1/4" = F$$



### Parts Needed



### Tools Needed

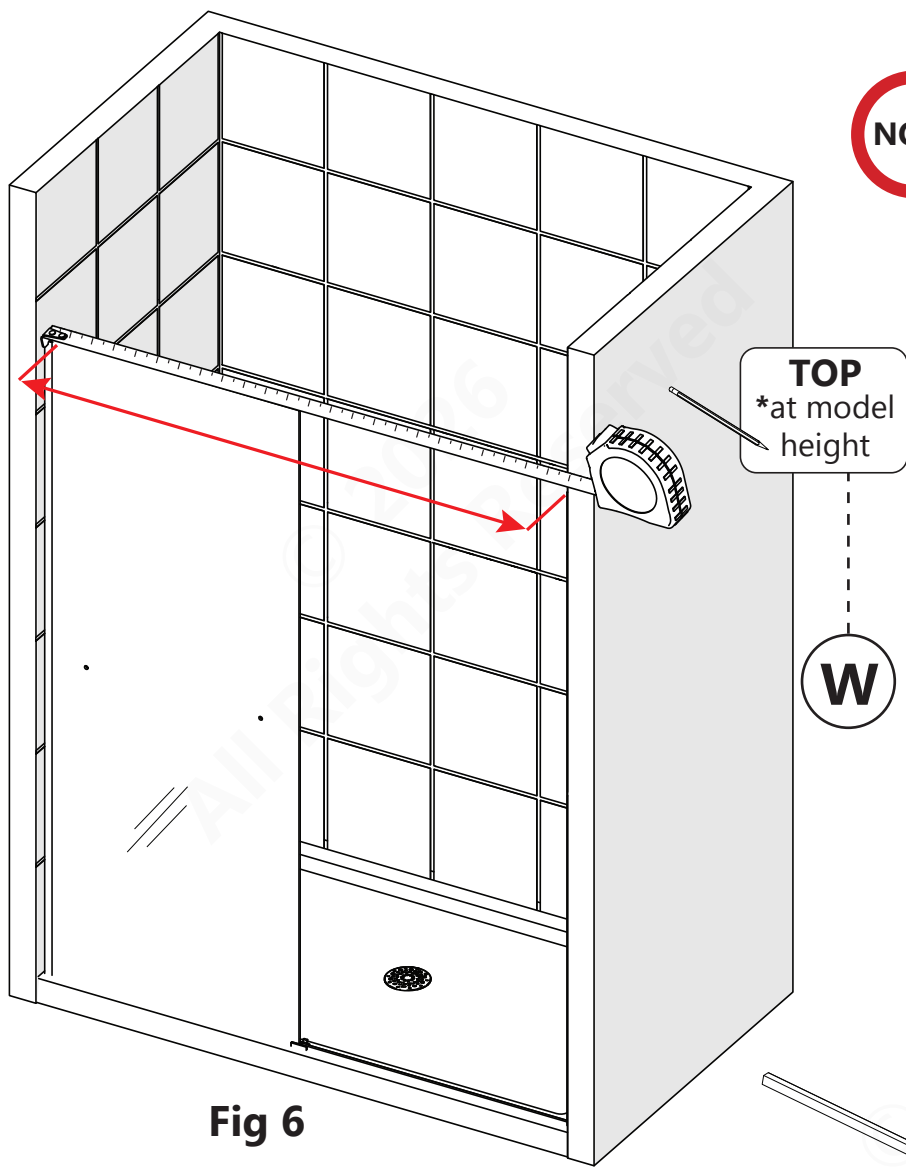


# 6

## Cutting the Top Guide Rail

**NOTE**

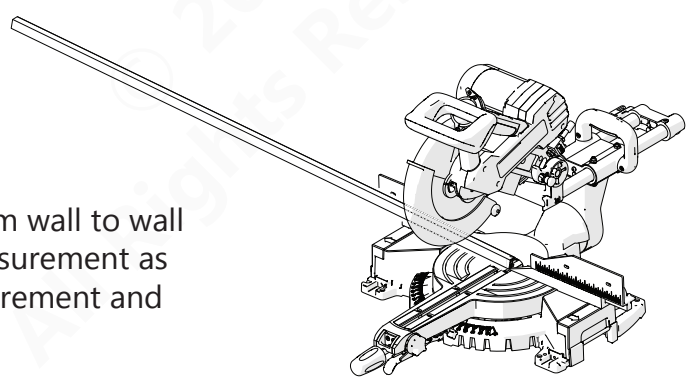
The **Top Guide Rail (#02)** is pre-cut to the model width. "W" is the width of your finished opening at the model height.



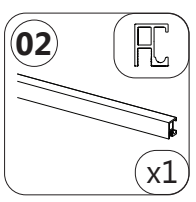
$$W - 1/16'' = \text{Finished Cut Length}$$

**Fig 6**

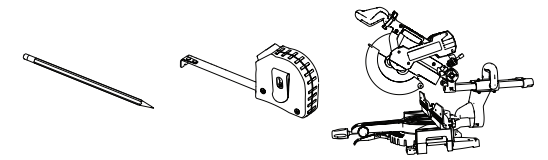
Measure the width of the shower opening from wall to wall just above the **Wall Profiles** and use this measurement as "W". Subtract 1/16" (1.5mm) from that measurement and cut the Top **Guide Rail (#02)** to that length.



### Parts Needed



### Tools Needed



# 7

## Marking the Guide Rail Brackets

1. Lower the **Top Guide Rail (#02)** into place and rest it on top of the **Wall Profiles (#01)**. Use a 4 ft. level to check and ensure the **Guide Rail** is level.

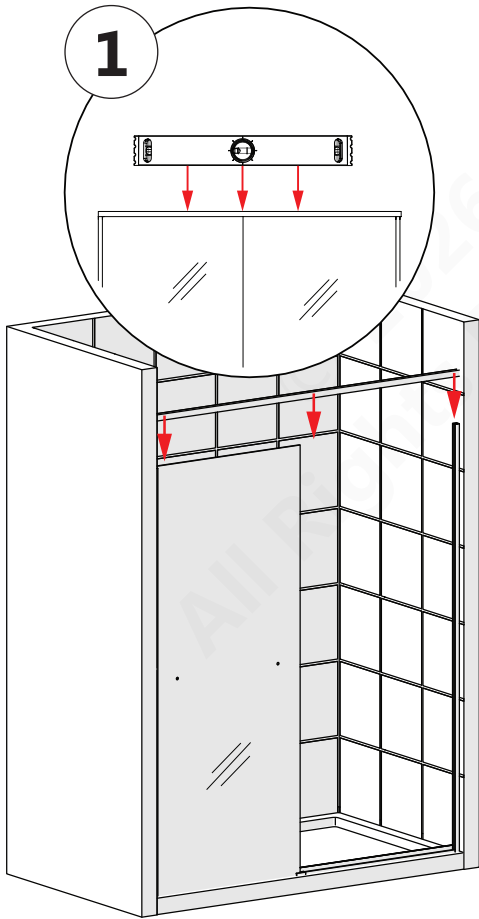
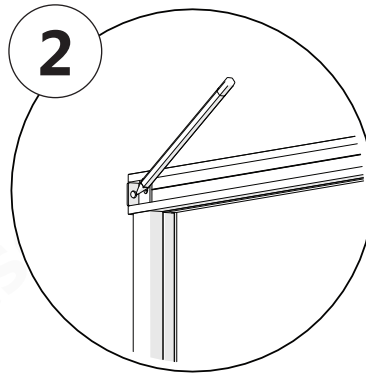
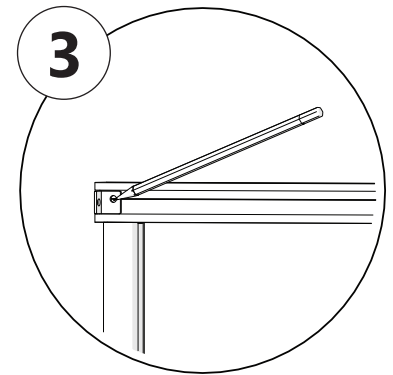


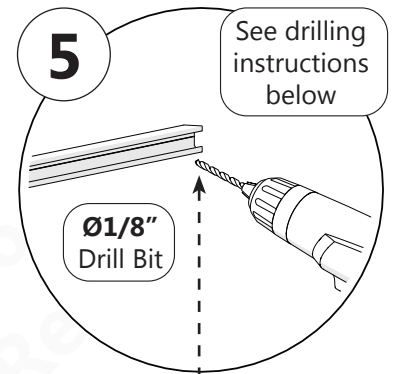
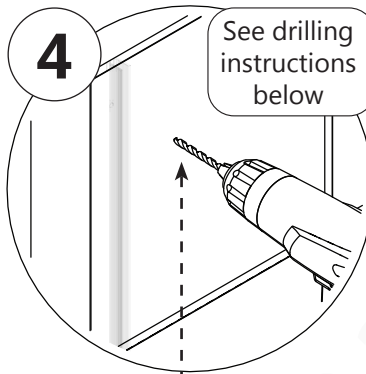
Fig 7



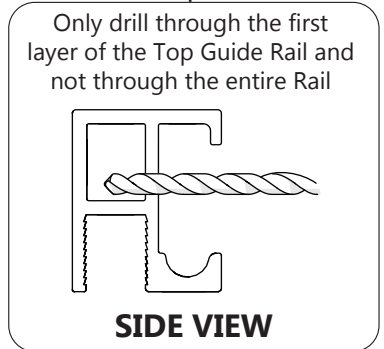
2. Mark the position of the **Guide Rail Brackets (#09/#10)** on the walls.



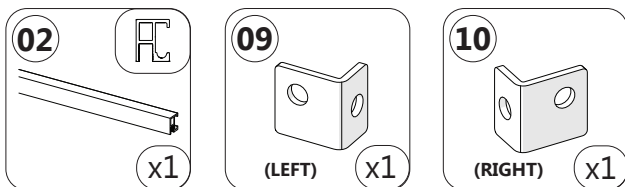
3. Mark the position of the **Guide Rail Brackets** on the **Top Guide Rail**.



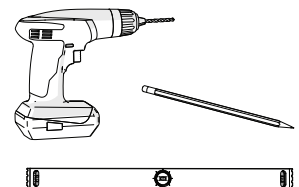
- **If a stud is present behind the wall:** drill a  $\text{Ø}3/16''$  (4mm) hole up to the stud, a  $\text{Ø}1/8''$  pilot hole into the wood, and use the **ST4.0x40 Pan Head Screws (#18)** in Step # 9.
- **If no stud is present behind the wall:** drill a  $\text{Ø}5/16''$  (7mm) hole, insert the **Wall Anchors (#19)** and use the **ST4.0x40 Pan Head Screws (#18)** in Step # 9.



### Parts Needed



### Tools Needed

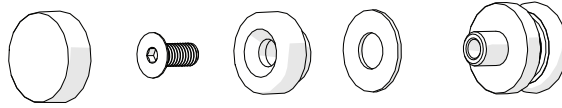


# 8

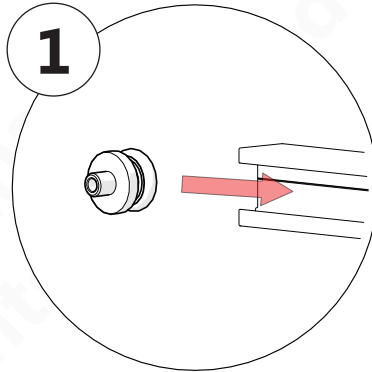
## Installing the Rollers & Setting the Top Guide Rail

**NOTE**

Use the Allen Wrench to disassemble the **Rollers (#07)** as shown below **before** installing into the **Top Guide Rail**. Set the other pieces aside for the **Door Glass** installation steps.



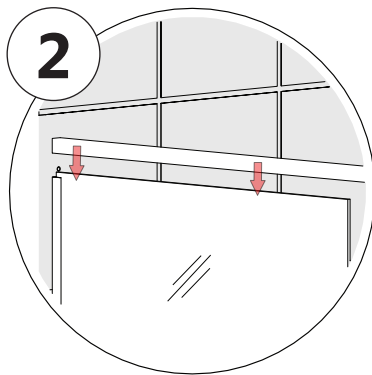
**1.** Install the **Rollers (#07)** into the guides within the **Top Guide Rail**.



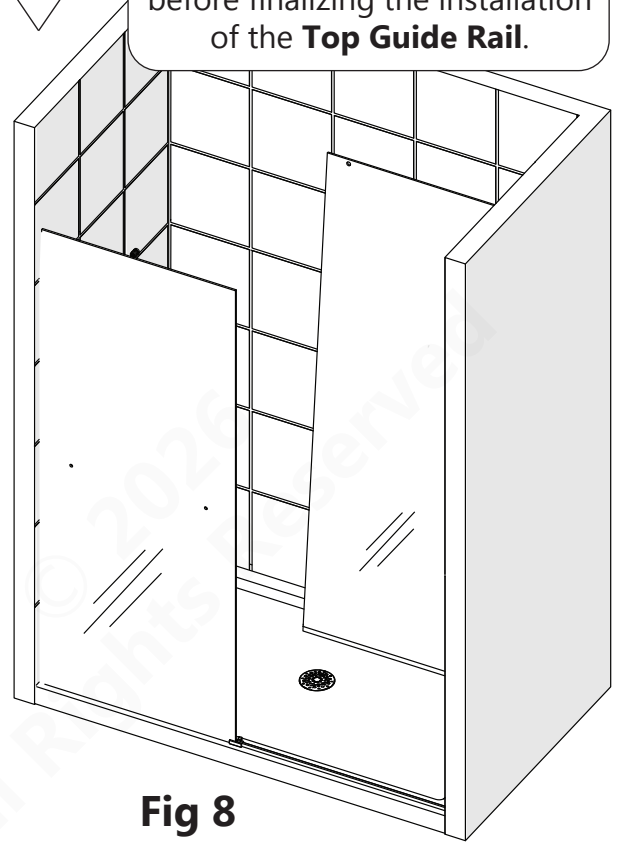
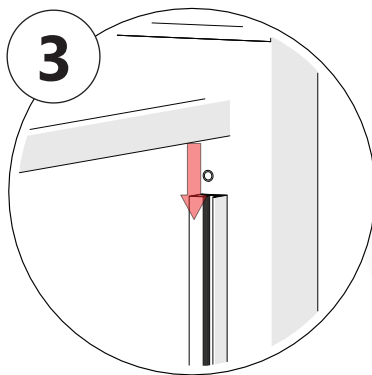
**TIP**

Place padding or cardboard on the shower floor, then move the **Door Glass** inside the shower before finalizing the installation of the **Top Guide Rail**.

**2.** Position the **Top Guide Rail** over the **Panel Glass** and **Wall Profiles**.

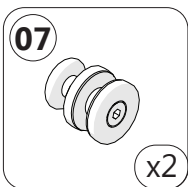


**3.** Lower the **Top Guide Rail** into position so that the top of the **Panel Glass** slides into the groove of the **Guide Rail** and the **Guide Rail** rests on top of the **Wall Profiles**.

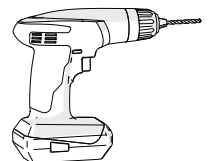


**Fig 8**

### Parts Needed



### Tools Needed



# 9

## Installing the Top Guide Rail & Seal Strip

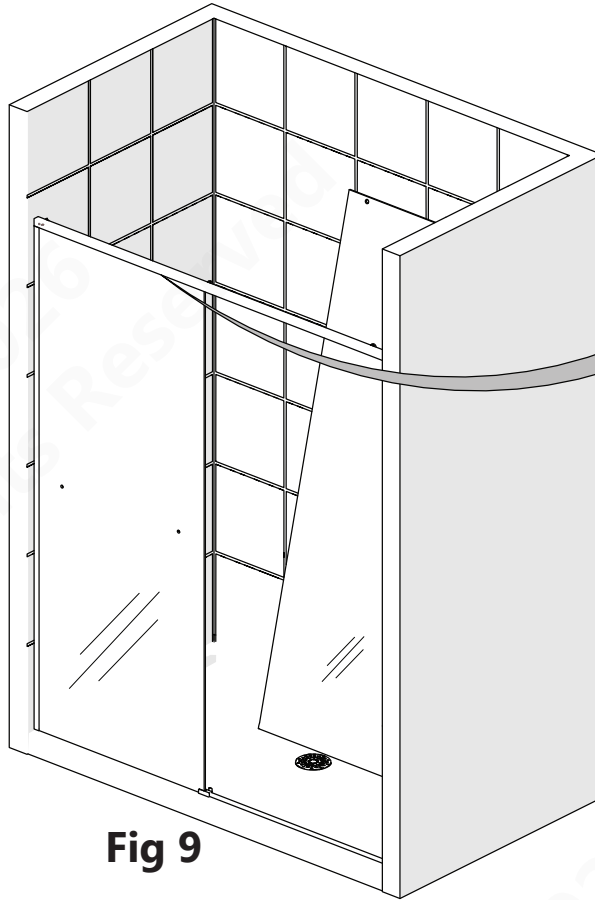
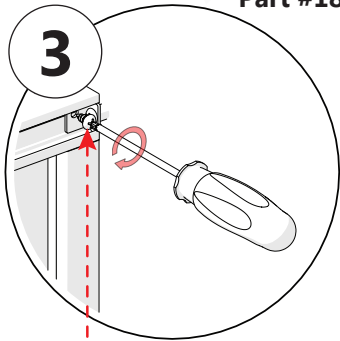
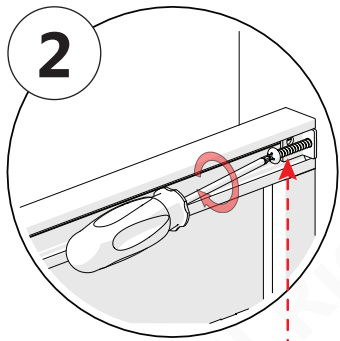
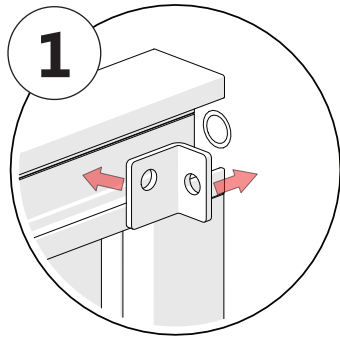
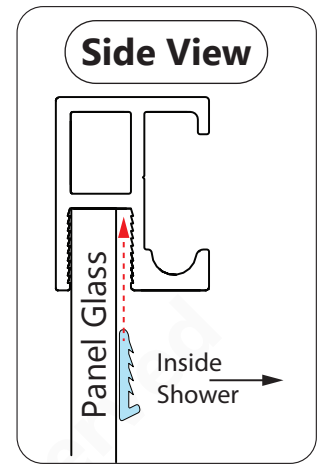
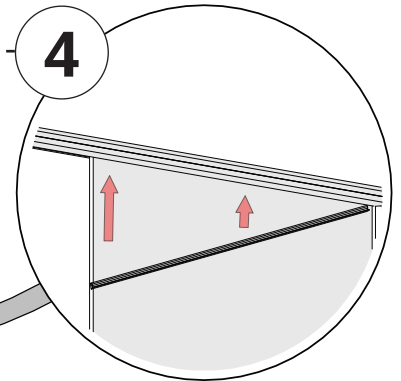
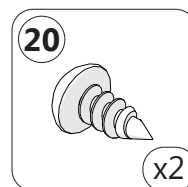
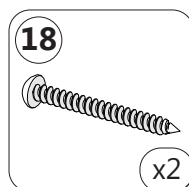
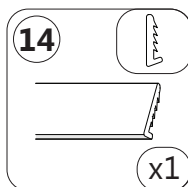
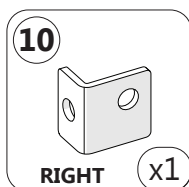
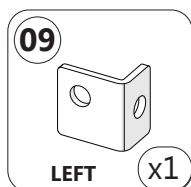


Fig 9

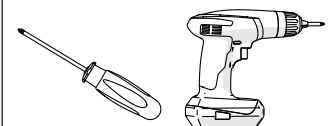


1. Align the **Guide Rail Brackets (#09 & #10)** with the drill holes in the **Top Guide Rail** and wall.
2. Fasten the **Guide Rail Brackets** to the wall **first** using the **ST4.0x40mm Pan Head Screws (#18)**.
3. Fasten the **Guide Rail Brackets** to the **Top Guide Rail** using the **ST4.0x10mm Pan Head Screws (#20)**.
4. Once the **Top Guide Rail** is installed, take the **Push-in Top Vinyl Seal (#14)** and install it between the **Panel Glass** and the **Top Guide Rail** from **inside** the shower the same way as the **Side Vinyl Seal** was installed in **Step #3** between the **Panel Glass** and **Wall Profile**. Trim any excess Vinyl with a razor knife.

### Parts Needed



### Tools Needed

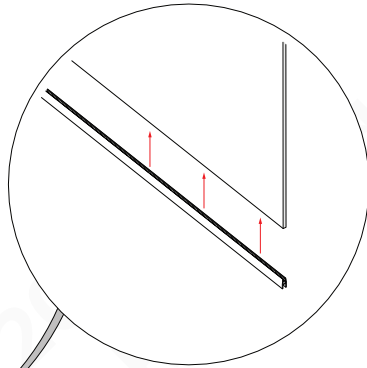
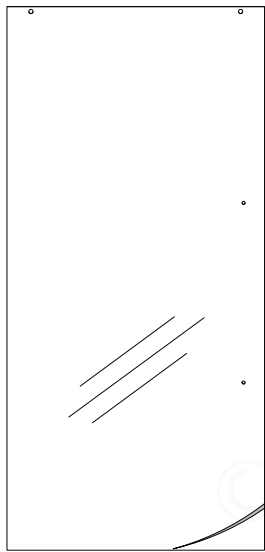


# 10

## Hanging the Door Glass & Installing the Bottom Guide Vinyl

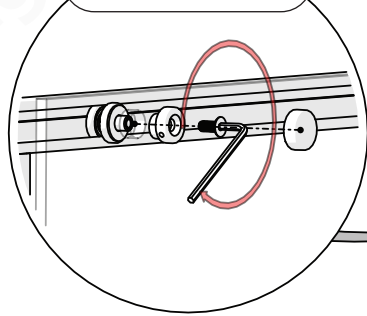
**TIP**

For the safest and easiest way to lift and maneuver the glass, use a professional-grade glass suction cup.

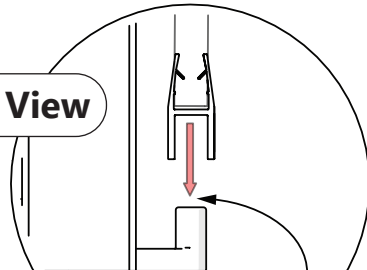


- Install the **Vinyl Door Guide (#15)** on the bottom edge of the **Door Glass (#06)**, then carefully lift the **Door Glass** up to meet the **Roller Assemblies**.
- Align the holes in the **Door Glass**, then assemble the remaining pieces of the **Roller Assemblies** to the pieces that are already installed in the **Top Guide Rail**.
- Firmly tighten the main hex bolt to secure the **Door** to the **Rollers**.

**Inside View**

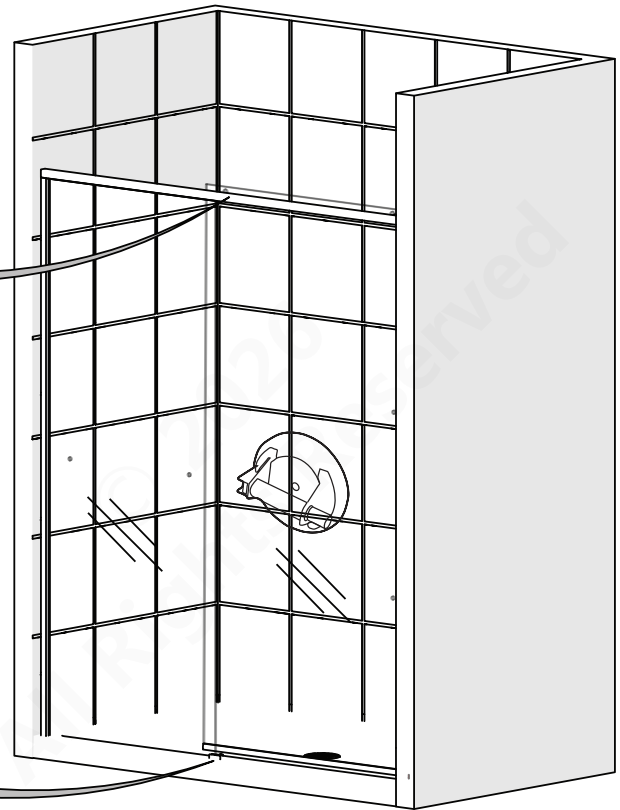


**Side View**



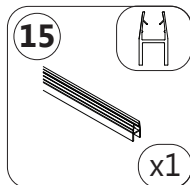
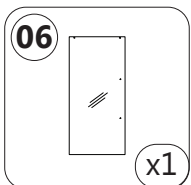
**NOTE**

Be sure the **Vinyl Door Guide** rides over the vertical 'peg' on the **Guide Block**.

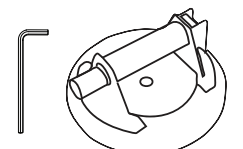


**Fig 10**

### Parts Needed



### Tools Needed



# 11

## Installing the Towel Bar and Handle

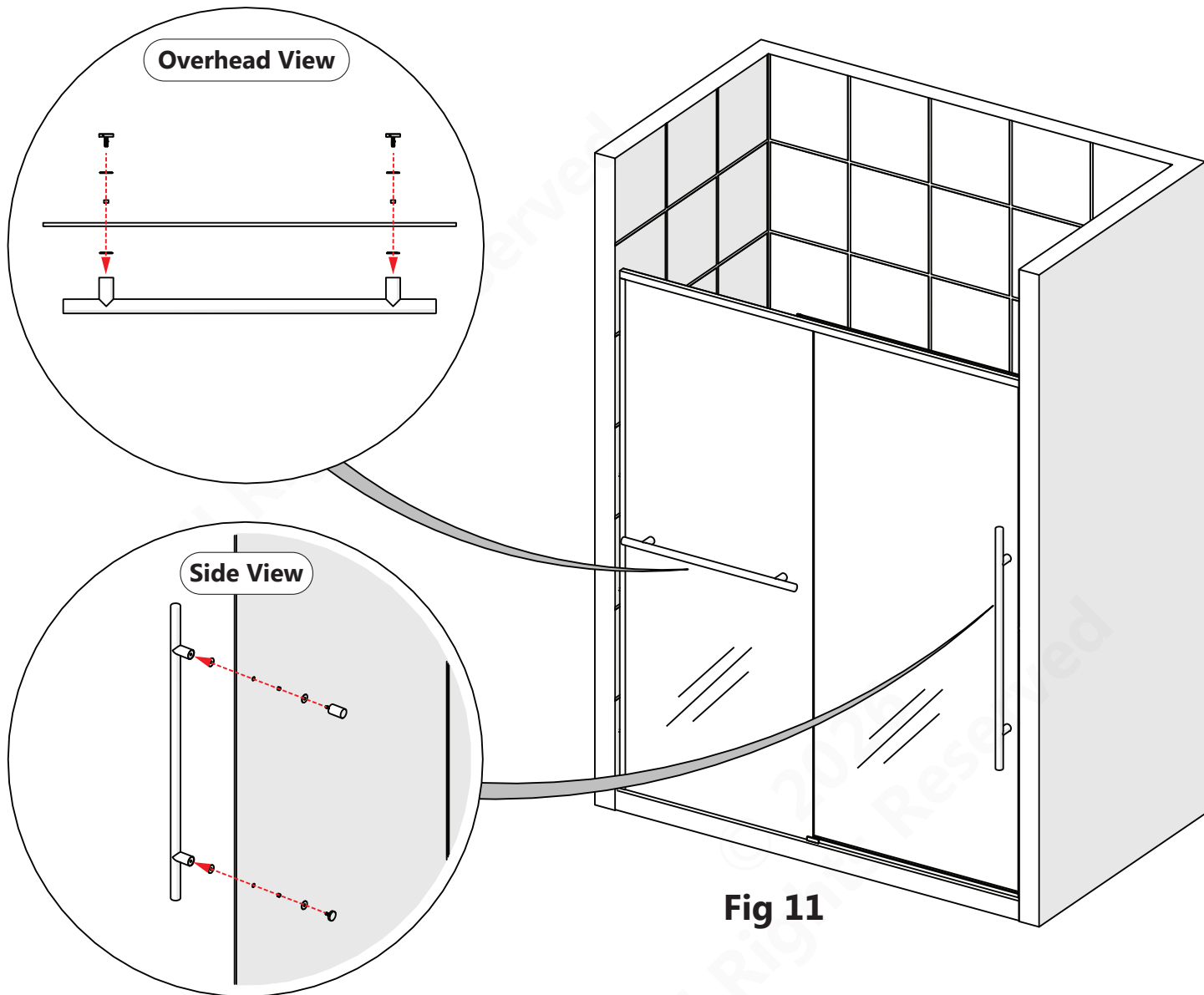
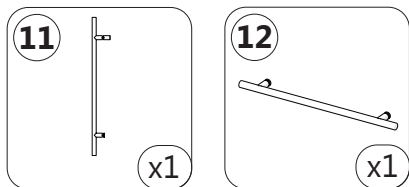


Fig 11

### Parts Needed

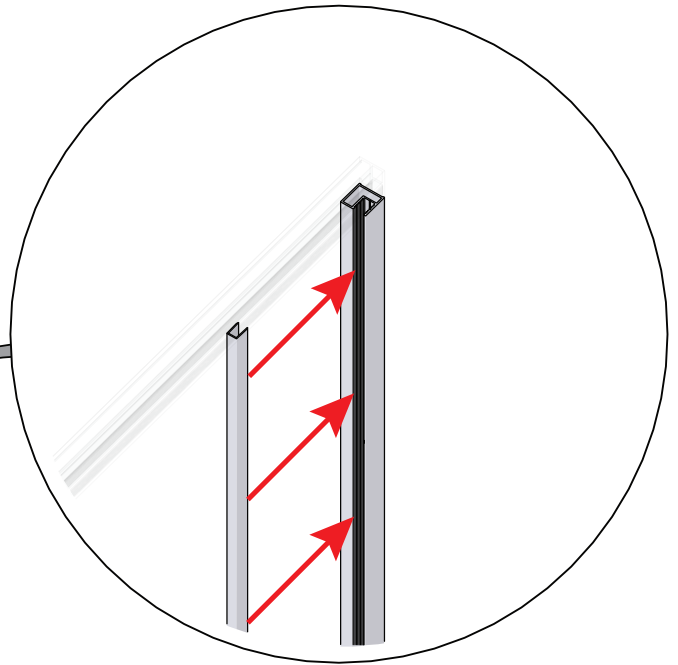
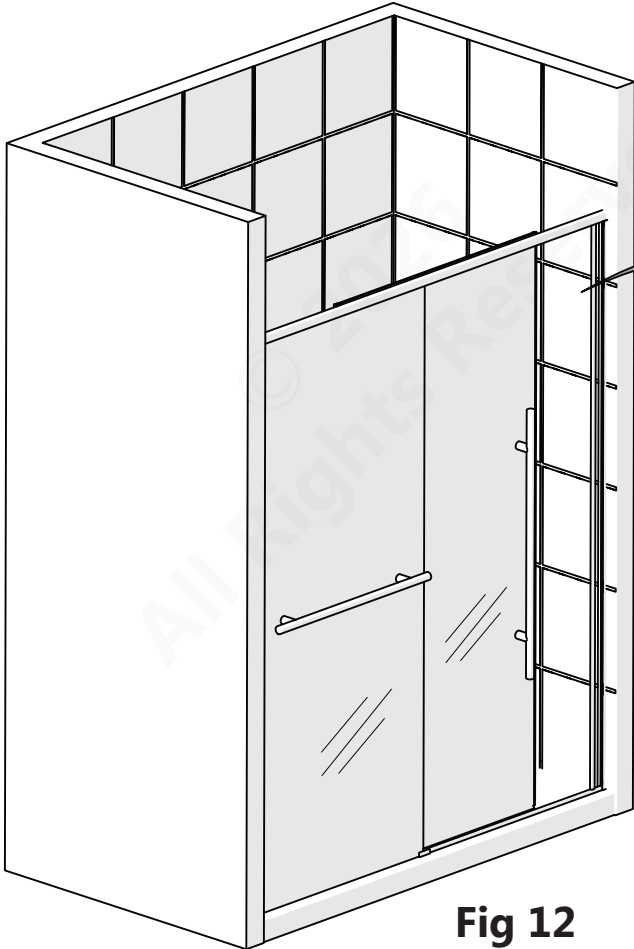


### Tools Needed

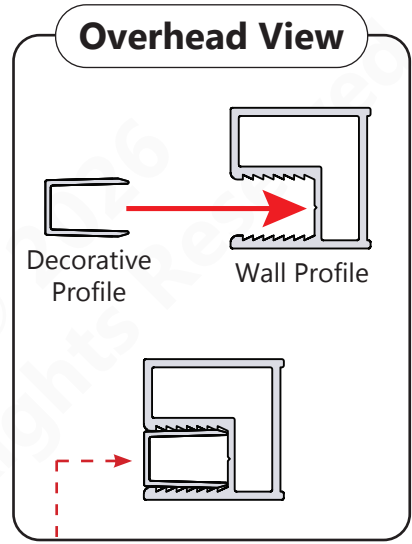


# 12

## Installing the Decorative Profile

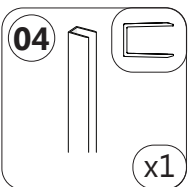


**Fig 12**



Fully installed  
**Decorative Profile**  
**(Part #04)**

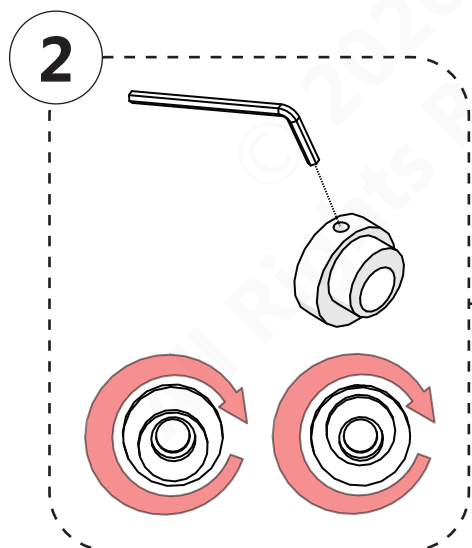
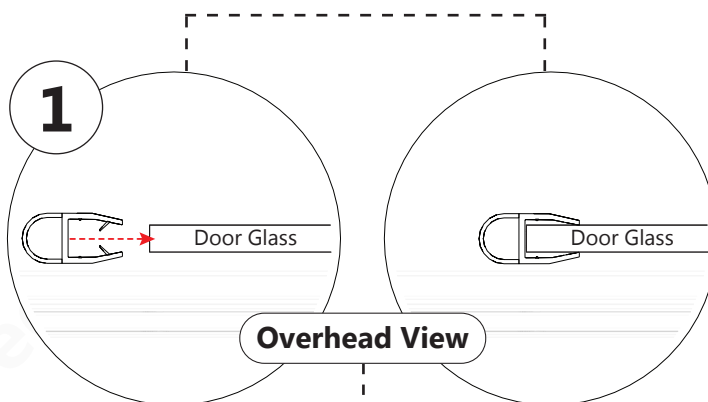
### Parts Needed



# 13

## Installing the Bumper Seals on the Door Glass and Adjusting the Rollers

1. Install the **Bumper Seals (#16)** on both vertical edges of the **Door Glass**.



2. With just a few turns of the Allen Wrench, loosen the main bolts on the **Roller Assemblies** - **Do Not** loosen the bolts all the way. Place the Allen Wrench inside the small divot found on the outside of the disc on the **Roller** bushing. The bushing is elliptical and will have a high spot and a low spot. Rotate the disc to raise or lower the glass. Once the adjustments are finished, re-tighten the main bolt on the **Roller Assembly**.

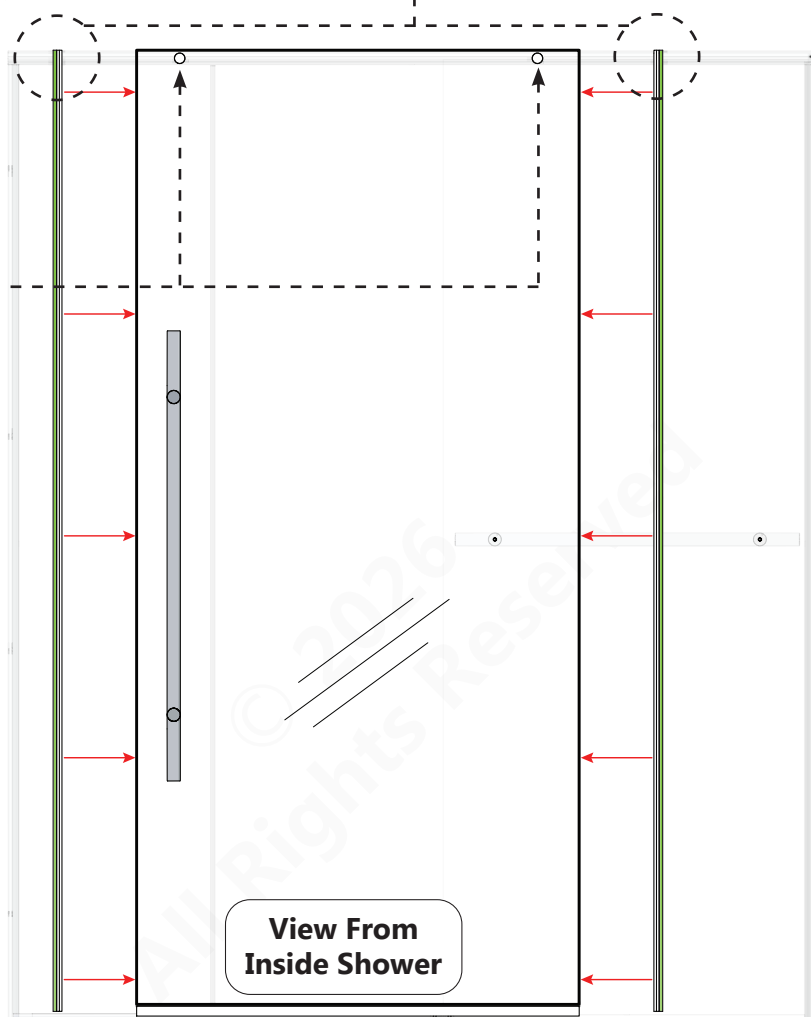
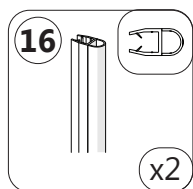


Fig 13

### Parts Needed

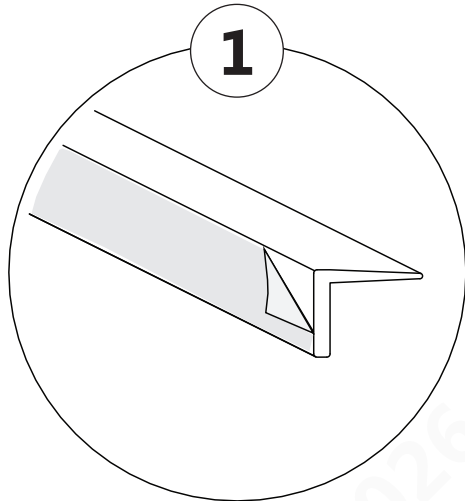


### Tools Needed



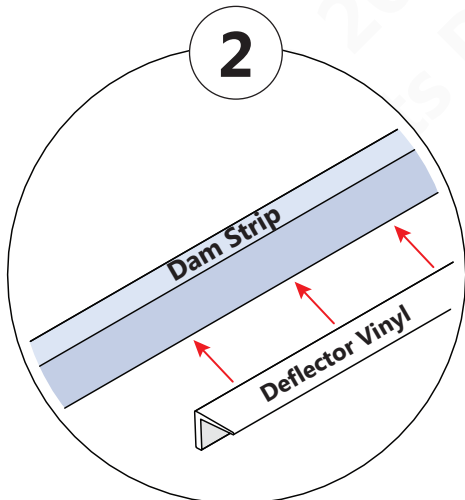
# 14

## Installing the Bottom Vinyl Seal

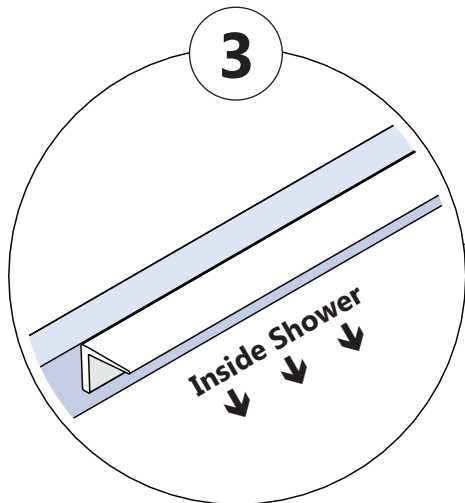
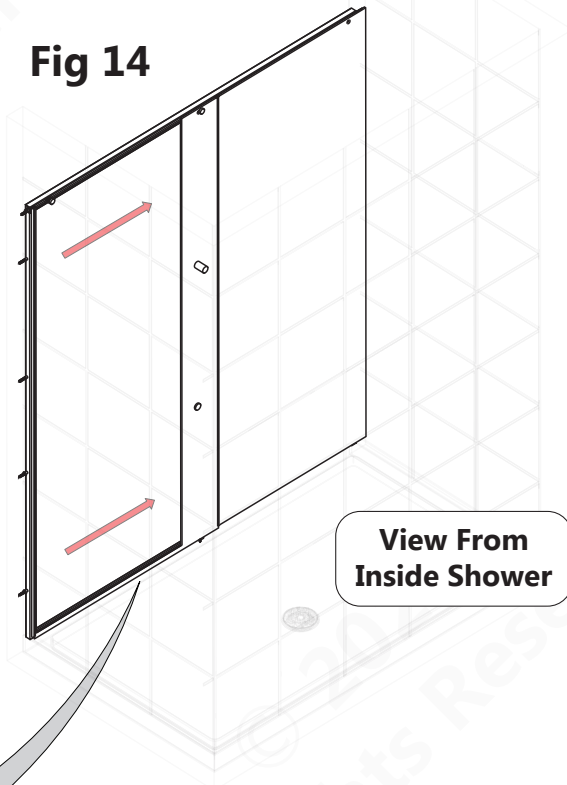


**TIP**

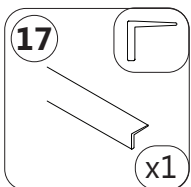
Before installing the **Deflector Vinyl**, wet a soft cloth or cotton ball with some rubbing alcohol and clean the surface of the **Dam Strip** where the **Deflector Vinyl** will be installed. The cleaned surface will promote better adhesion of the **Deflector Vinyl** to the **Dam Strip**.



**Fig 14**



### Parts Needed



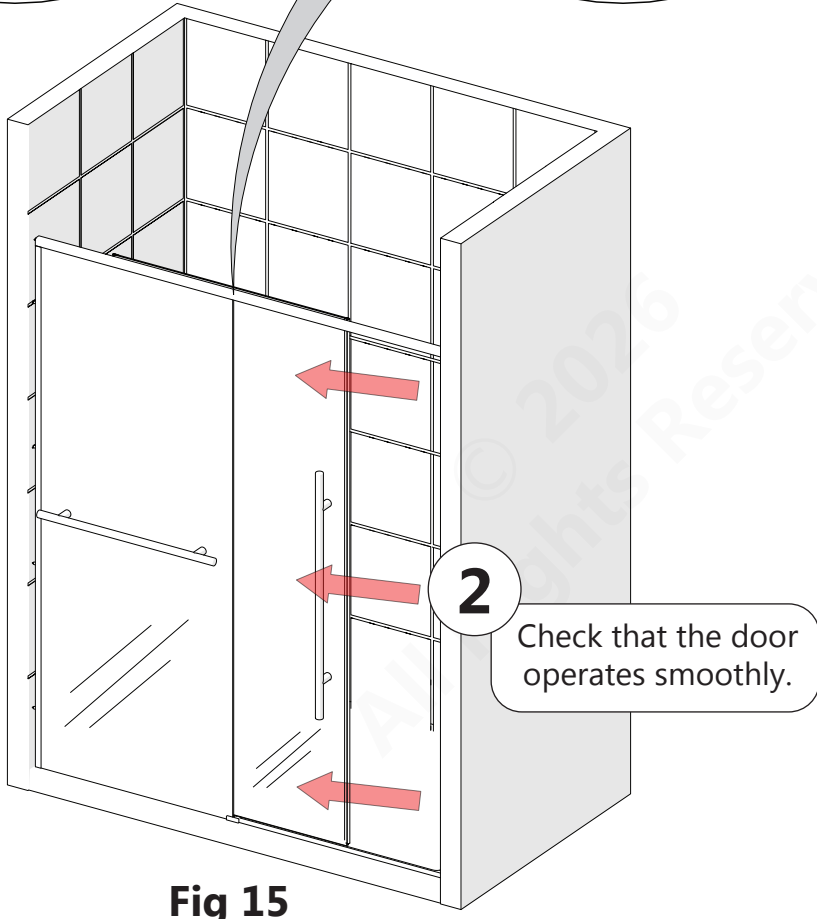
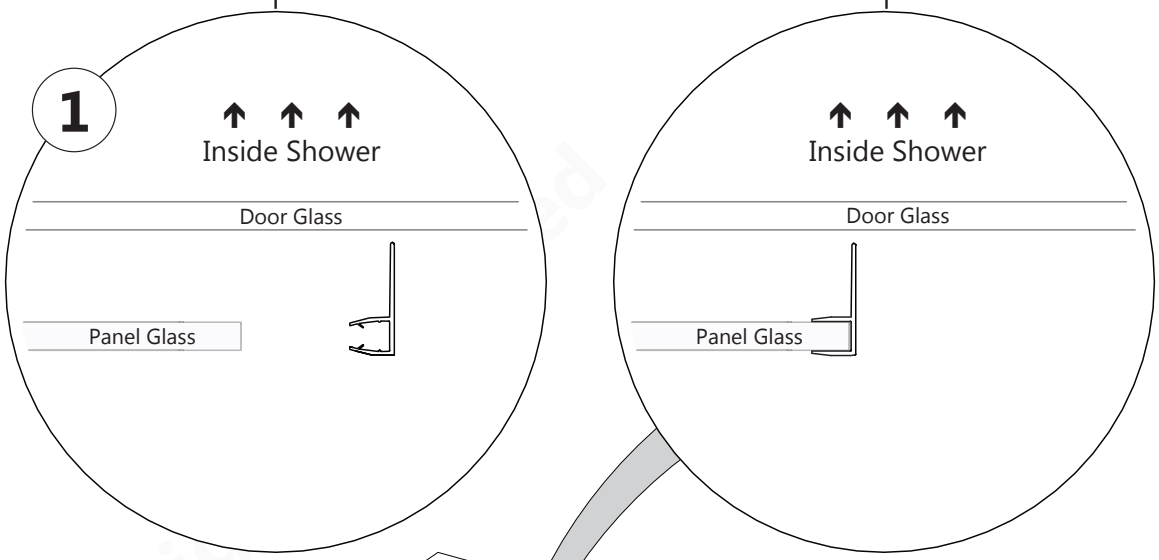
Slide the **Door Glass** open all the way before beginning the installation of the **Deflector Vinyl** (#17).

1. Peel off the backing to expose the adhesive on the **Deflector Vinyl**. [Fig 14.1]
2. Align the **Deflector Vinyl** with the **Dam Strip**. [Fig 14.2]
3. Firmly press the **Deflector Vinyl** onto the **Dam Strip**. The 'fin' of the **Deflector Vinyl** should point towards the inside of the shower. [Fig 14.3]

# 15

## Installing the Anti-Water Strip

Install the **Anti-Water Strip (#24)** onto the edge of the **Panel Glass**.



### Parts Needed

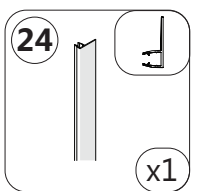


Fig 15

# 16

## Final Steps

Apply a good quality, mildew-resistant silicone to the entire interior perimeter.



Wait 24 hours before using the shower.

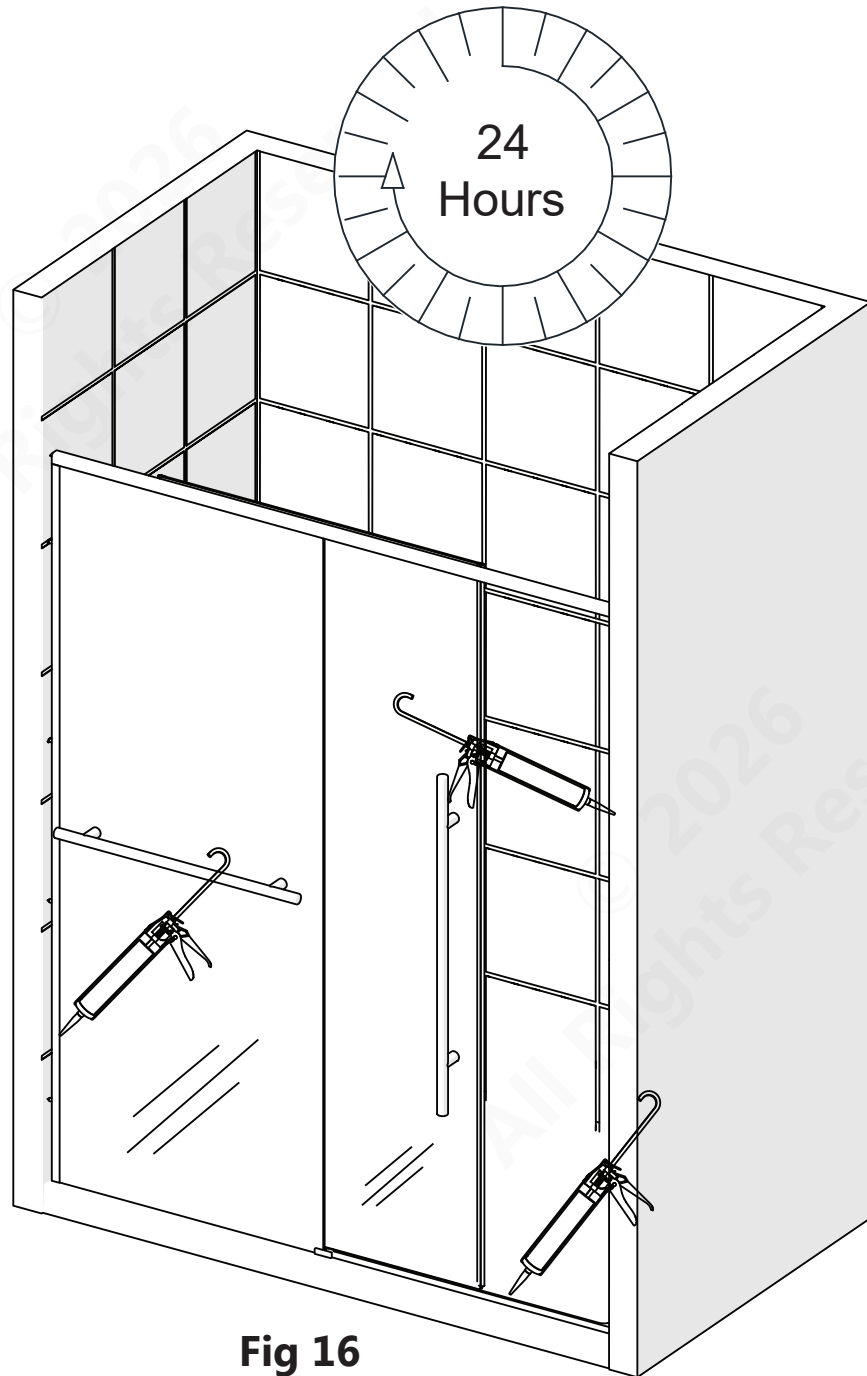
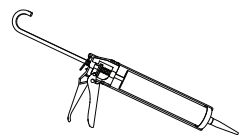


Fig 16

### Tools Needed



## Product Maintenance

**BASES and BACKWALLS:** To ensure long lasting life for your acrylic back walls: wipe them off after each use with a soft cloth. To clean the acrylic back walls use non-abrasive sprays or cream based cleaners. Avoid the use of aerosol spray cleaners. Never use abrasive cleansers, metal brushes or scrapers that could permanently scratch or dull the surface.

**GLASS:** To ensure long lasting life for your glass shower products: wipe them off after each use with a soft cloth. Rinse and wipe off the glass using either a soft cloth or a squeegee to prevent soap buildup and water spots (Hard water can etch the surface of the glass over time if left to dry). To prevent scratching the surface: never use abrasive cleaners or cleaning products that contain scouring agents. Never use bristle brushes or abrasive sponges that may scratch the surface of the glass.

**HARDWARE:** To ensure a long lasting finish: wipe off all metal parts after each use with a soft cloth. Do not use abrasive cleaners or cleaning products containing ammonia, bleach or acid. If accidentally used, rinse the surface as soon as possible to prevent damage to the finish (peeling or corrosion). After cleaning the polished finishes, rinse thoroughly and wipe dry with a soft clean cloth.

Clean stainless steel surfaces at least once a week. When applying stainless steel cleaner or polish to stainless steel hardware, work with the grain (not across the grain). Never use an abrasive sponge or cloth, steel wool or wired brush as these may permanently scratch the surfaces.



**To maximize the life of your door, it is important to regularly inspect the glass and other hardware for misalignment, proper attachment, and/or damage. Contact The manufacturer with any questions or concerns.**

### **DAWN Maintenance Checklist**

- Check that the unit is stable, operates smoothly, and that installation is secure.
- Confirm that all screws/bolts are tight.
- Confirm that all vinyl seals are intact (replace if missing or damaged to prevent water leakage).
- Inspect exposed and concealed glass edges for damage **(damaged glass must be replaced!)**
- Inspect silicone caulk for gaps. Replace silicone as necessary to prevent water leakage.

## Troubleshooting

Missing Parts	<ul style="list-style-type: none"> <li>• Check all shipping/packaging material for missing parts/components.</li> <li>• If not found, contact the manufacturer to order factory part replacement.</li> </ul>
Water leakage: underneath <b>Panel Glass (#05)</b>	<ul style="list-style-type: none"> <li>• Make certain the <b>Panel Glass (#05)</b> is sitting flush on the threshold.</li> <li>• Make sure the bottom edge of the <b>Panel Glass</b> is fully sealed to the threshold with silicone.</li> </ul>
Water leakage: <b>Panel Glass/Door Glass (#05/06)</b>	<ul style="list-style-type: none"> <li>• Make sure the <b>Push-in Vinyl Side Seal (#13)</b> is fully and properly installed between the <b>Wall Profile (#01)</b> and the <b>Panel Glass (#05)</b>. [See Step 3b]</li> <li>• Check the <b>Bumper Seal (#16)</b> to make sure it is making contact with the <b>Decorative Profile (#04)</b> and forming a consistent tight seal from top-to-bottom when the door is closed.</li> <li>• Make sure the <b>Bottom Vinyl Seal (#17)</b> is installed correctly and blocking the gap between the <b>Door Glass</b> and the <b>Dam Strip (#03)</b> when the door is closed.</li> </ul>
Water leakage: <b>Dam Strip (#03)</b>	<ul style="list-style-type: none"> <li>• Make sure the <b>Dam Strip (#03)</b> is tight in the <b>Guide Block (#08)</b> and tight inside the <b>Wall Profile (#01)</b> on the <b>Door</b> side.</li> <li>• Make sure the <b>Dam Strip</b> is tight to the threshold and fully sealed to the threshold with silicone.</li> </ul>
<b>Door Glass (#06)</b> is not rolling smoothly or closing tightly	<ul style="list-style-type: none"> <li>• Check the <b>Top Guide Rail (#02)</b> for level and check that the <b>Rollers (#07)</b> are tight.</li> <li>• Check that the <b>Vinyl Door Guide (#15)</b> is installed correctly on the bottom of the <b>Door Glass</b> and that it is riding over the 'peg on the <b>Guide Block (#08)</b>.</li> <li>• To make a more consistent seal, adjust the <b>Rollers</b> using the eccentric bushings on the assembly to raise or lower the glass on each side. [See Step 13]</li> </ul>



Prior to contacting the manufacturer, please have the following information readily available:

- Purchase Order Information (Name, PO Number, Dealer/Vendor Name, etc.)
- SKU/Model Number (see cover page)
- Factory Part Information (see pages 27-28)

## Factory Parts Information

FACTORY PARTS INFORMATION - DAWN 48" x 72" (CLEAR GLASS)			
ITEM #	FACTORY PART #	ITEM DESCRIPTION	QTY
01	043720 <b>X</b> 1-1804	Wall Profile	2 pcs
02	043710 <b>X</b> 1-1219	Top Guide Rail	1 pc
03	041690 <b>X</b> 1-0652	Dam Strip	1 pc
04	043730 <b>X</b> 1-1791	Decorative Profile	1 pc
05	019026009	Panel Glass	1 pc
06	019026008	Door Glass	1 pc
07	0732 <b>X</b> 064	Roller Assembly	2 pcs
08	0702 <b>X</b> 346	Guide Block	1 pc
09	0702 <b>X</b> 351	Guide Rail Bracket (LEFT)	1 pc
10	0702 <b>X</b> 350	Guide Rail Bracket (RIGHT)	1 pc
11	0722 <b>X</b> 164	Handle Assembly	1 pc
12	0722 <b>X</b> 167	Towel Bar Assembly	1 pc
13	060015000-1809	Push-in Side Vinyl Seal (1809mm)	1 pc
14	060015000-0730	Push-in Top Vinyl Seal (730mm)	1 pc
15	063056060-0680	Vinyl Door Guide	1 pc
16	063007060-1805	Bumper Seal	2 pcs
17	063024000-0652	Deflector Vinyl	1 pc
18	091107	ST4.0 x 40mm Pan Head Screw	10 pcs
19	07552148	Wall Anchor	10 pcs
20	091101	ST4.0 x 10mm Pan Head Screw	2 pcs
21	092105	ST4.2 x 25mm Countersunk Screw	1 pc
22	0980-27	Allen Wrench (2mm, 3mm)	1 set
23	063520060-0512	Bottom Vinyl Spacer (Panel Glass)	1 pc
24	063092060-1789	Anti-Water Side Strip	1 pc

**Bold "X"** indicates finish:

**01** = Chrome

**04** = Brushed Nickel

**09** = Satin Black

Contact **the manufacturer** for Part replacement, installation assistance, or additional information. Complete **Warranty** information is available on the manufacturer's website

## Factory Parts Information

FACTORY PARTS INFORMATION - DAWN 60" x 72" (CLEAR GLASS)			
ITEM #	FACTORY PART #	ITEM DESCRIPTION	QTY
01	043720 <b>X</b> 1-1804	Wall Profile	2 pcs
02	043710 <b>X</b> 1-1524	Top Guide Rail	1 pc
03	041690 <b>X</b> 1-0807	Dam Strip	1 pc
04	043730 <b>X</b> 1-1791	Decorative Profile	1 pc
05	019026007	Panel Glass	1 pc
06	019026006	Door Glass	1 pc
07	0732 <b>X</b> 064	Roller Assembly	2 pcs
08	0702 <b>X</b> 346	Guide Block	1 pc
09	0702 <b>X</b> 351	Guide Rail Bracket (LEFT)	1 pc
10	0702 <b>X</b> 350	Guide Rail Bracket (RIGHT)	1 pc
11	0722 <b>X</b> 164	Handle Assembly	1 pc
12	0722 <b>X</b> 163	Towel Bar Assembly	1 pc
13	060015000-1809	Push-in Side Vinyl Seal (1809mm)	1 pc
14	060015000-0730	Push-in Top Vinyl Seal (730mm)	1 pc
15	063056060-0835	Vinyl Door Guide	1 pc
16	063007060-1805	Bumper Seal	2 pcs
17	063024000-0807	Deflector Vinyl	1 pc
18	091107	ST4.0 x 40mm Pan Head Screw	10 pcs
19	07552148	Wall Anchor	10 pcs
20	091101	ST4.0 x 10mm Pan Head Screw	2 pcs
21	092105	ST4.2 x 25mm Countersunk Screw	1 pc
22	0980-27	Allen Wrench (2mm, 3mm)	1 set
23	063520060-0662	Bottom Vinyl Spacer (Panel Glass)	1 pc
24	063092060-1789	Anti-Water Side Strip	1 pc

**Bold "X"** indicates finish:

**01** = Chrome

**04** = Brushed Nickel

**09** = Satin Black

Contact **the manufacturer** for Part replacement, installation assistance, or additional information. Complete **Warranty** information is available on the manufacturer's website

# NOTES

© 2026  
All Rights Reserved

© 2026  
All Rights Reserved

Record the following purchase information for your records or in the event you need to contact the manufacturer:

Purchase Order  
Number \_\_\_\_\_

Store/Vendor  
Purchased From \_\_\_\_\_

Installation Date \_\_\_\_\_

OD Number  
(optional) \_\_\_\_\_

Installed By \_\_\_\_\_

SKU Number \_\_\_\_\_

# SLIDING SHOWER DOOR WITH LARGE HANDLE AND TOWEL BAR

## *SHOWER DOOR INSTALLATION INSTRUCTIONS*

