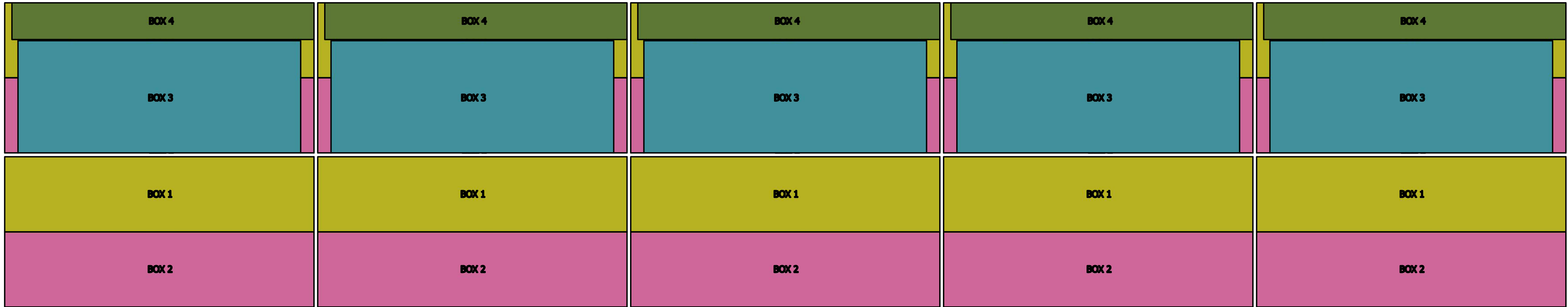


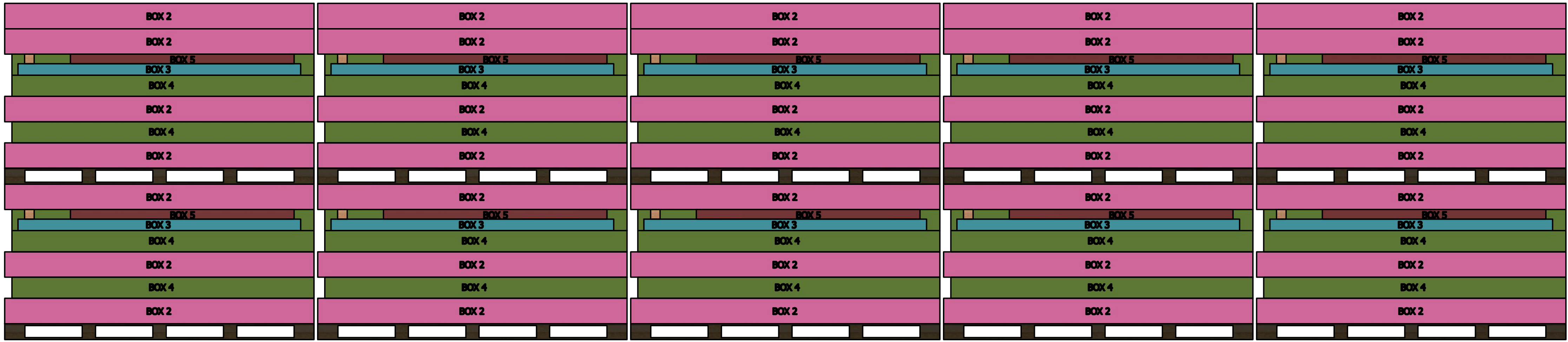
2406131 10x10 BARRINGTON Container Loading Diagram

(1 set=5 boxes 65 sets/40HQ, 20 pallets/ 40HQ, Gross Weight: 19460kg)

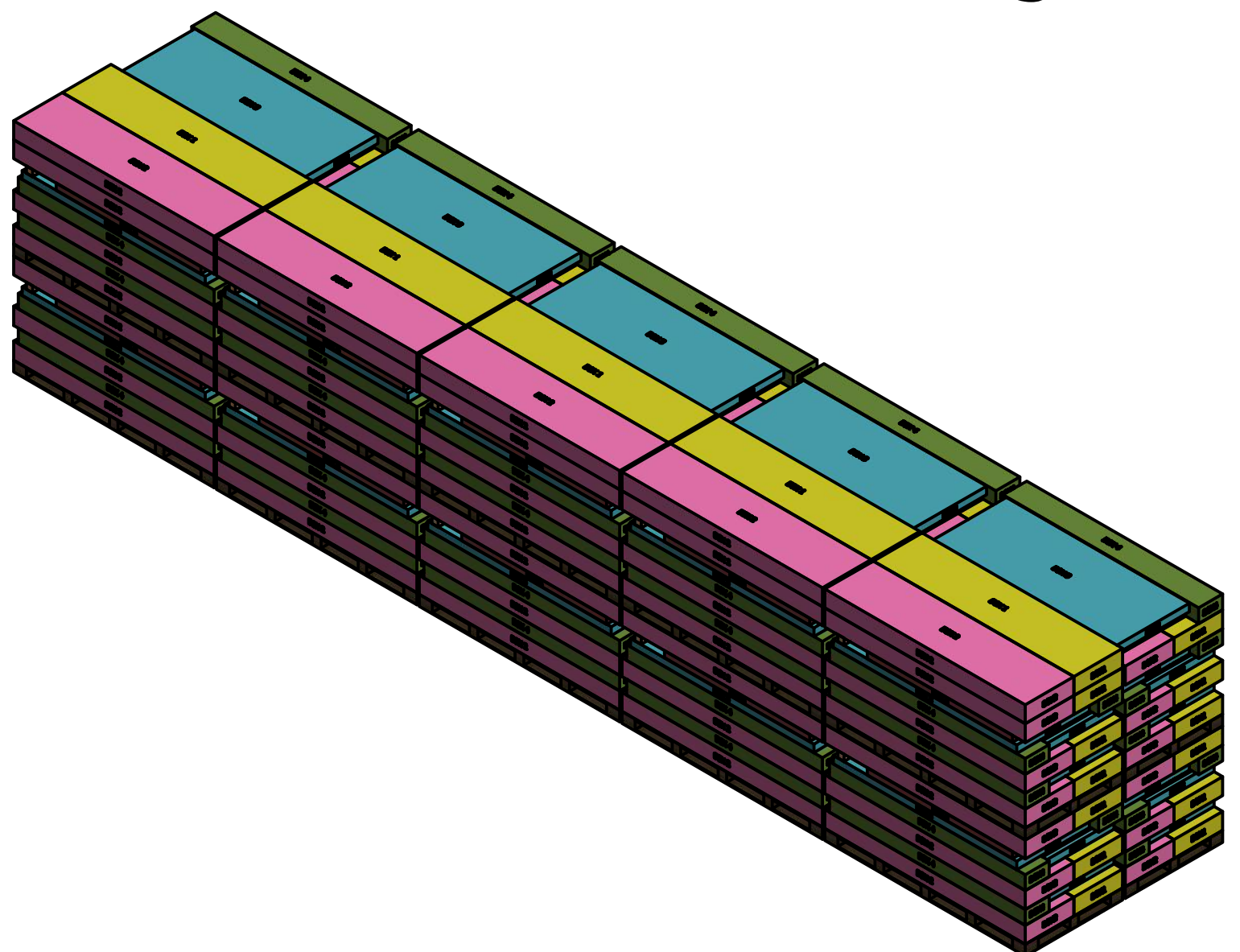
Top view



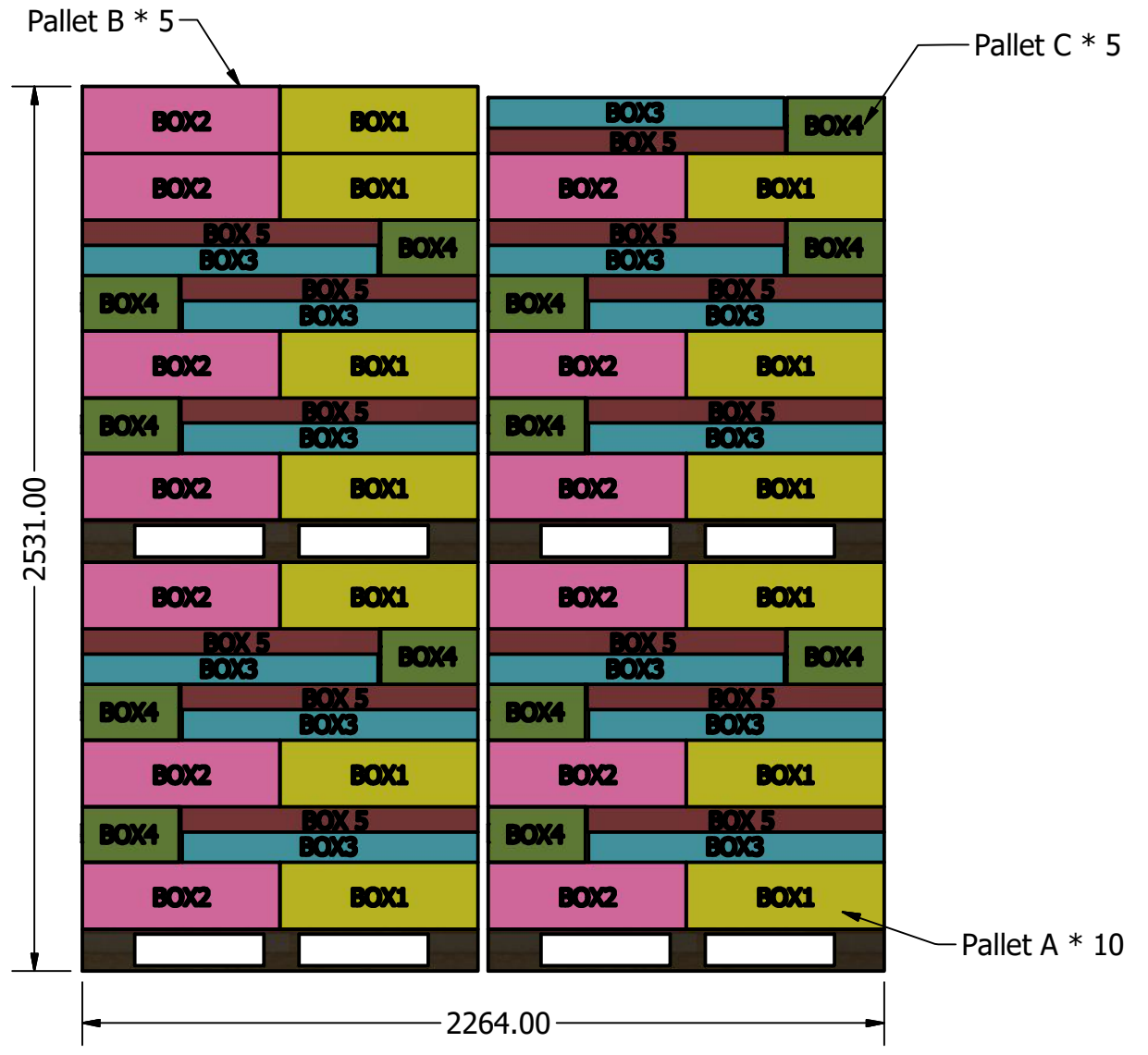
Side view



11650.00



End view

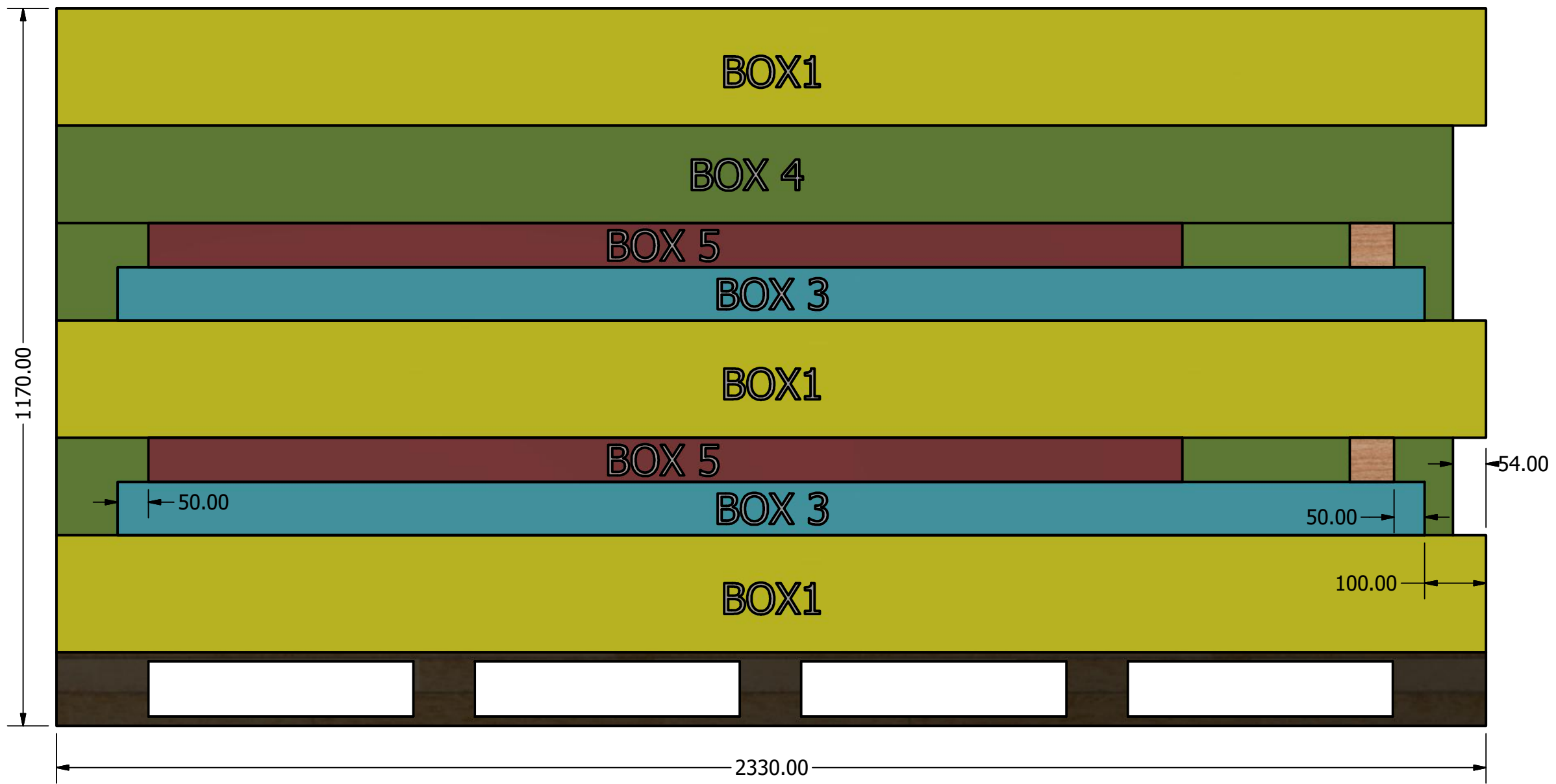
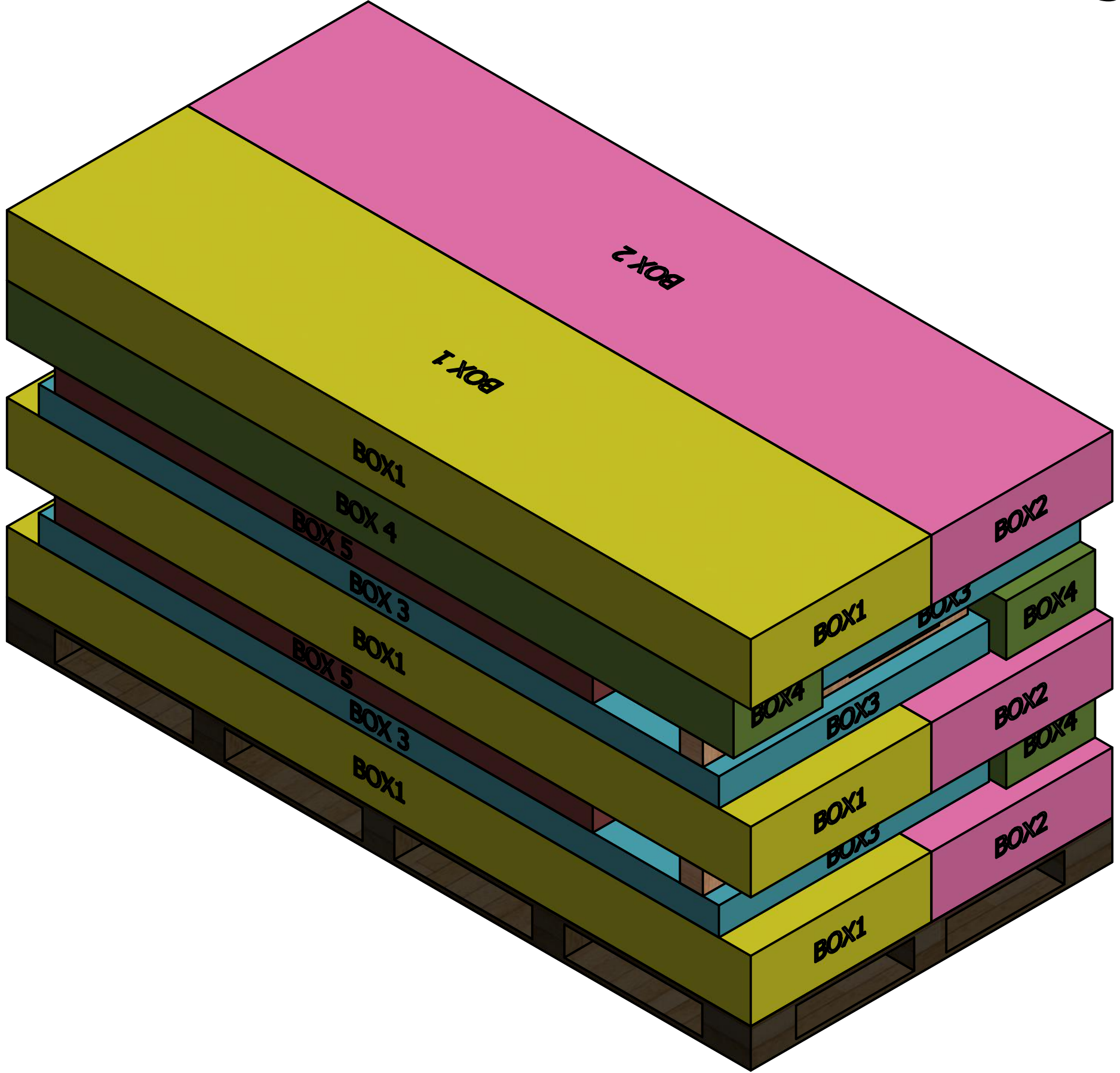
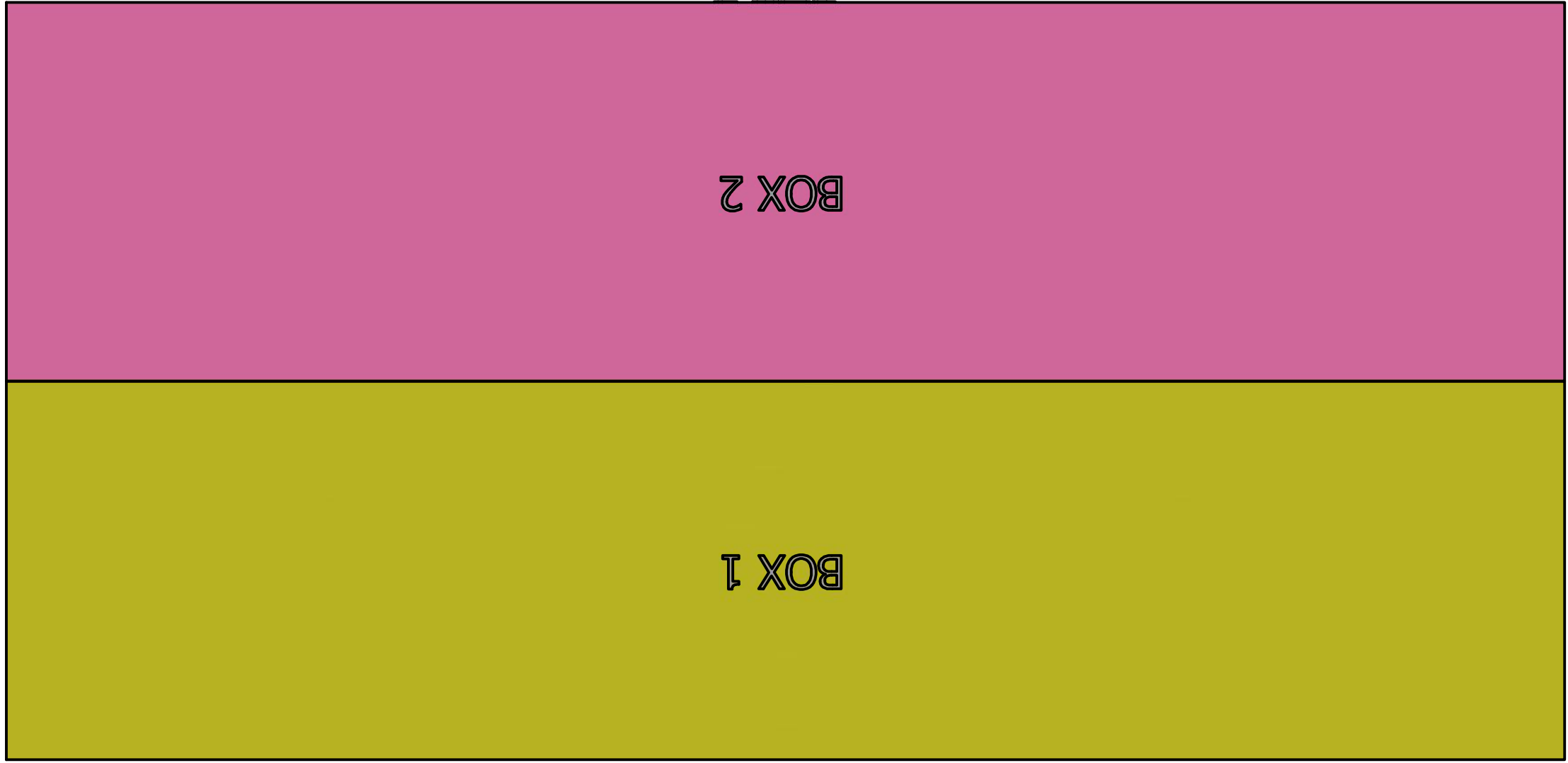


2531.00

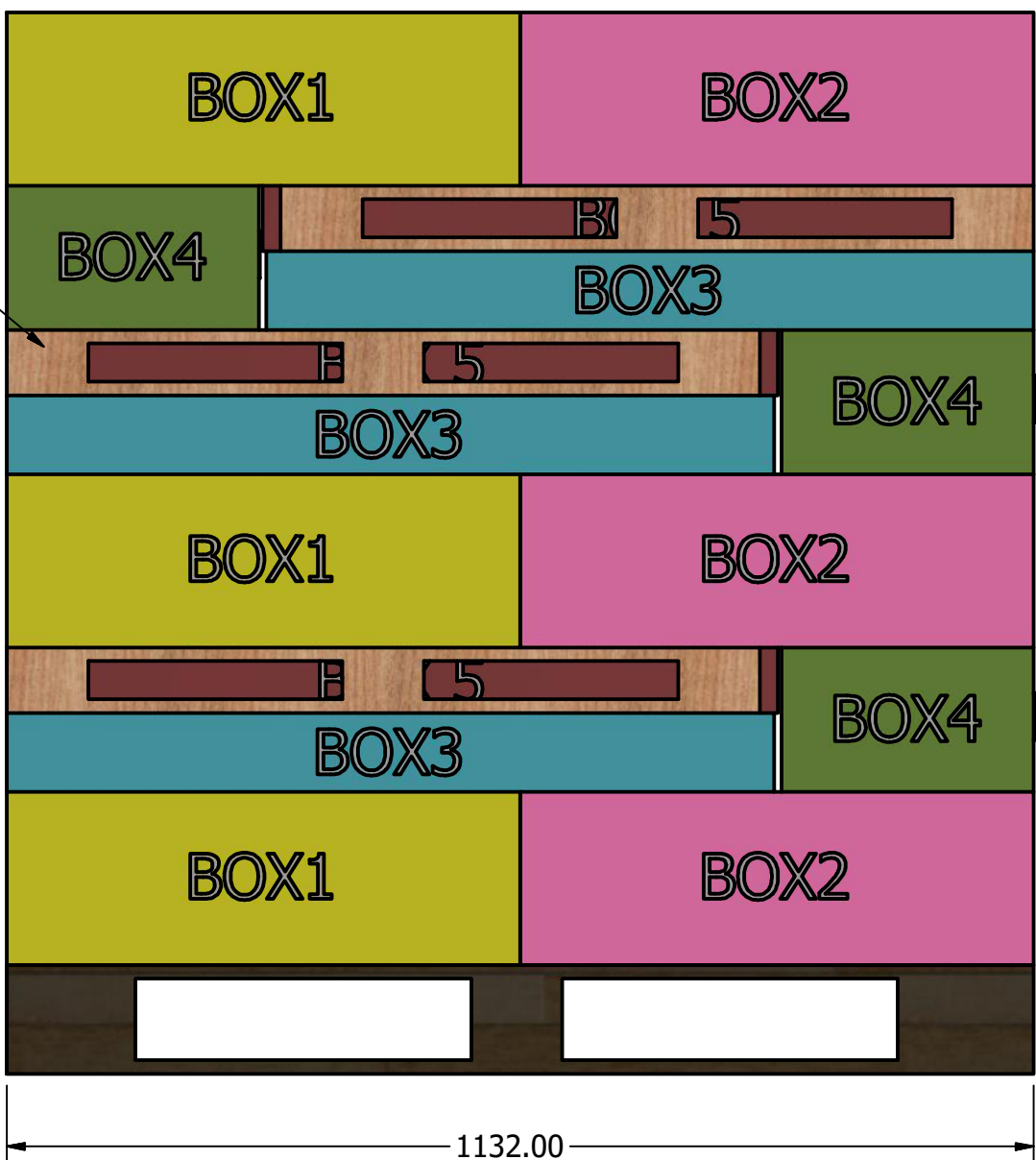
2264.00

DRAWN	Rudy	2019/8/19		
CHECKED			TITLE	
QA				
MFG				
APPROVED				
			SIZE	DWG NO
			D	2006522
			SCALE	1 / 20
			SHEET 1 OF 1	

Pallet A (3 sets/pallet)

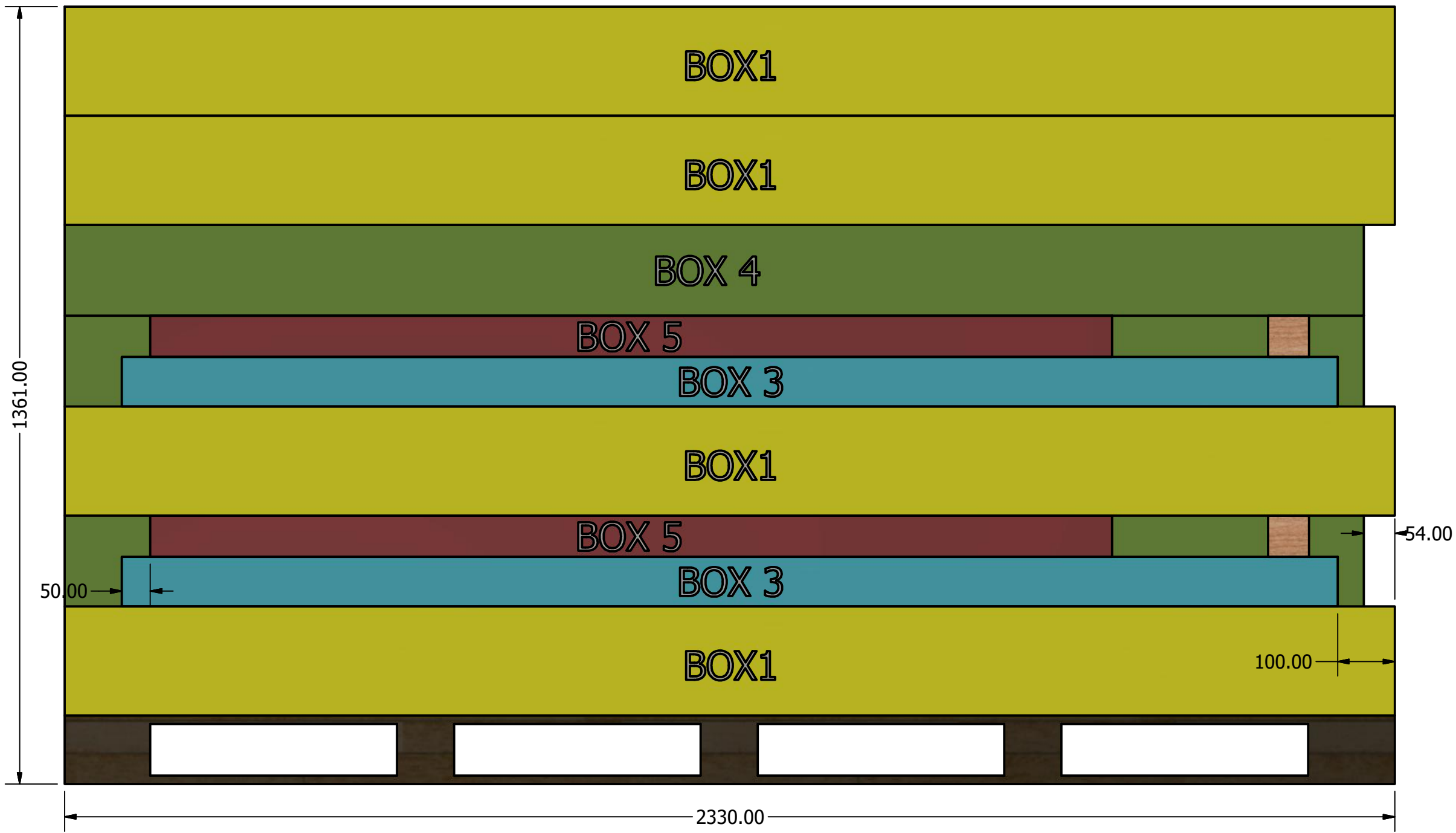
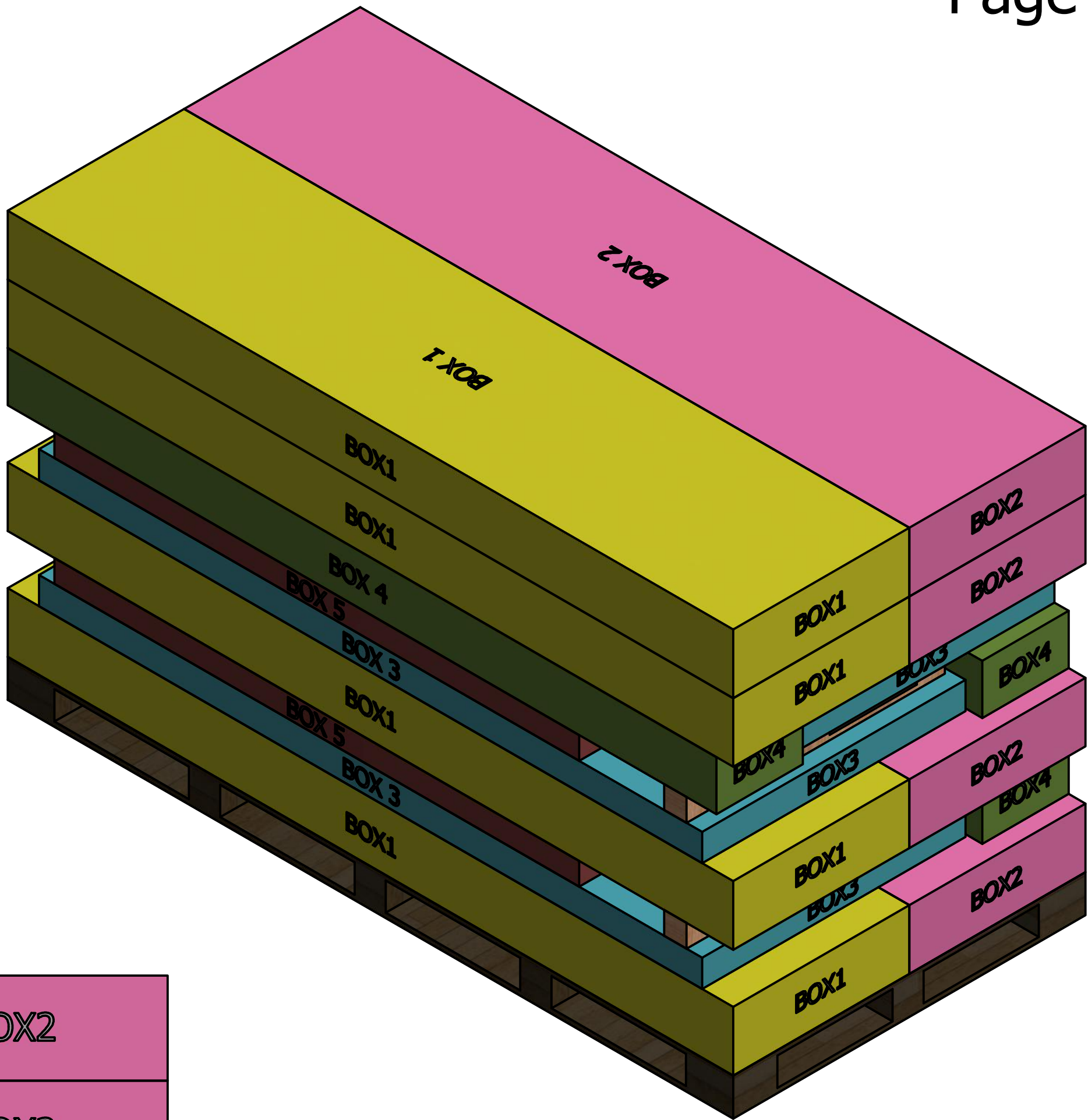


胶合板支撑块 Plywood block * 3pcs
830mm*72mm*72mm

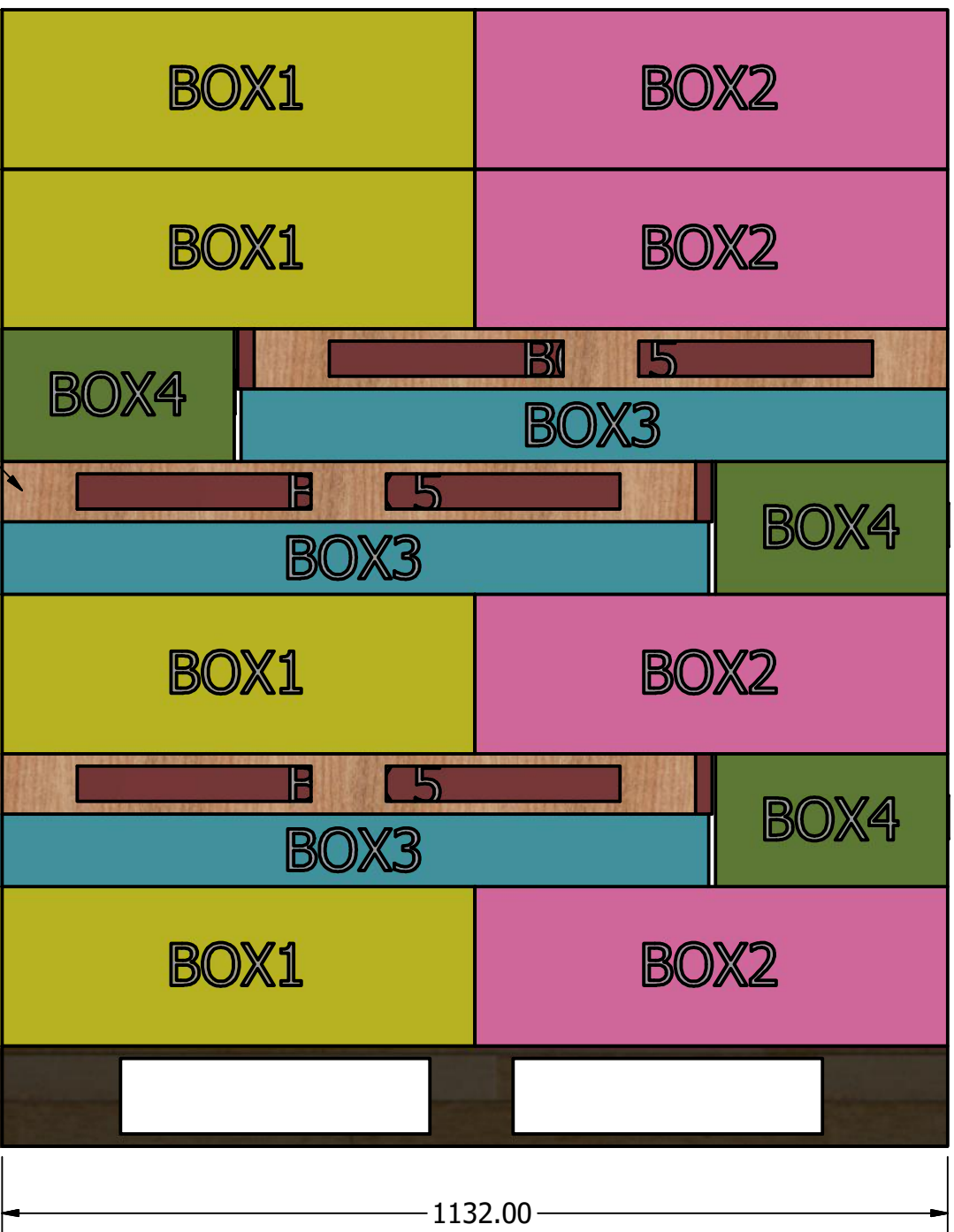


DRAWN Rudy	2019/8/19	TITLE	
CHECKED		REV	
QA		DWG NO	
MFG		Pallet A	
APPROVED		SCALE	1 : 10
		SHEET 1 OF 1	

Pallet B (3.5 sets/pallet)

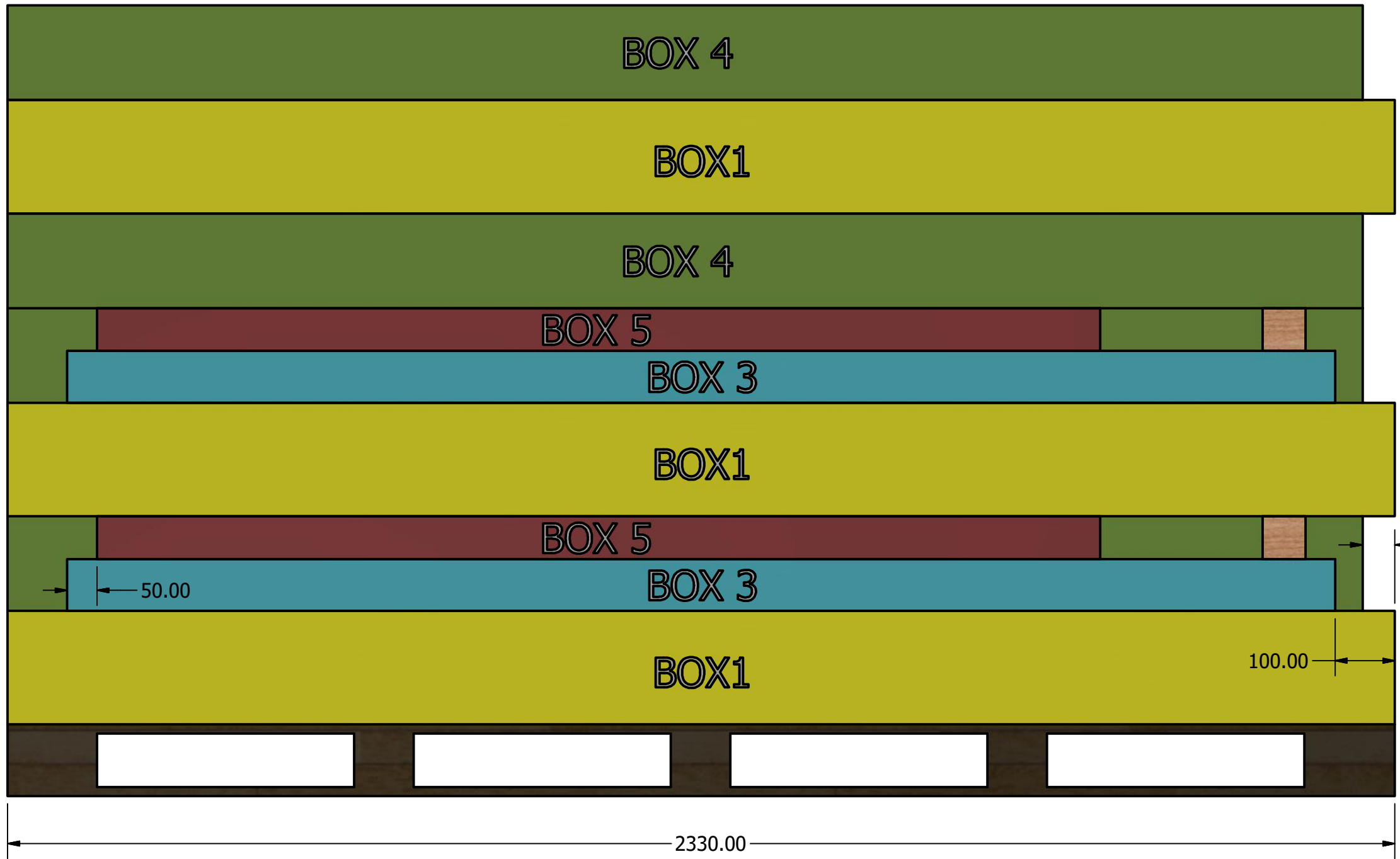
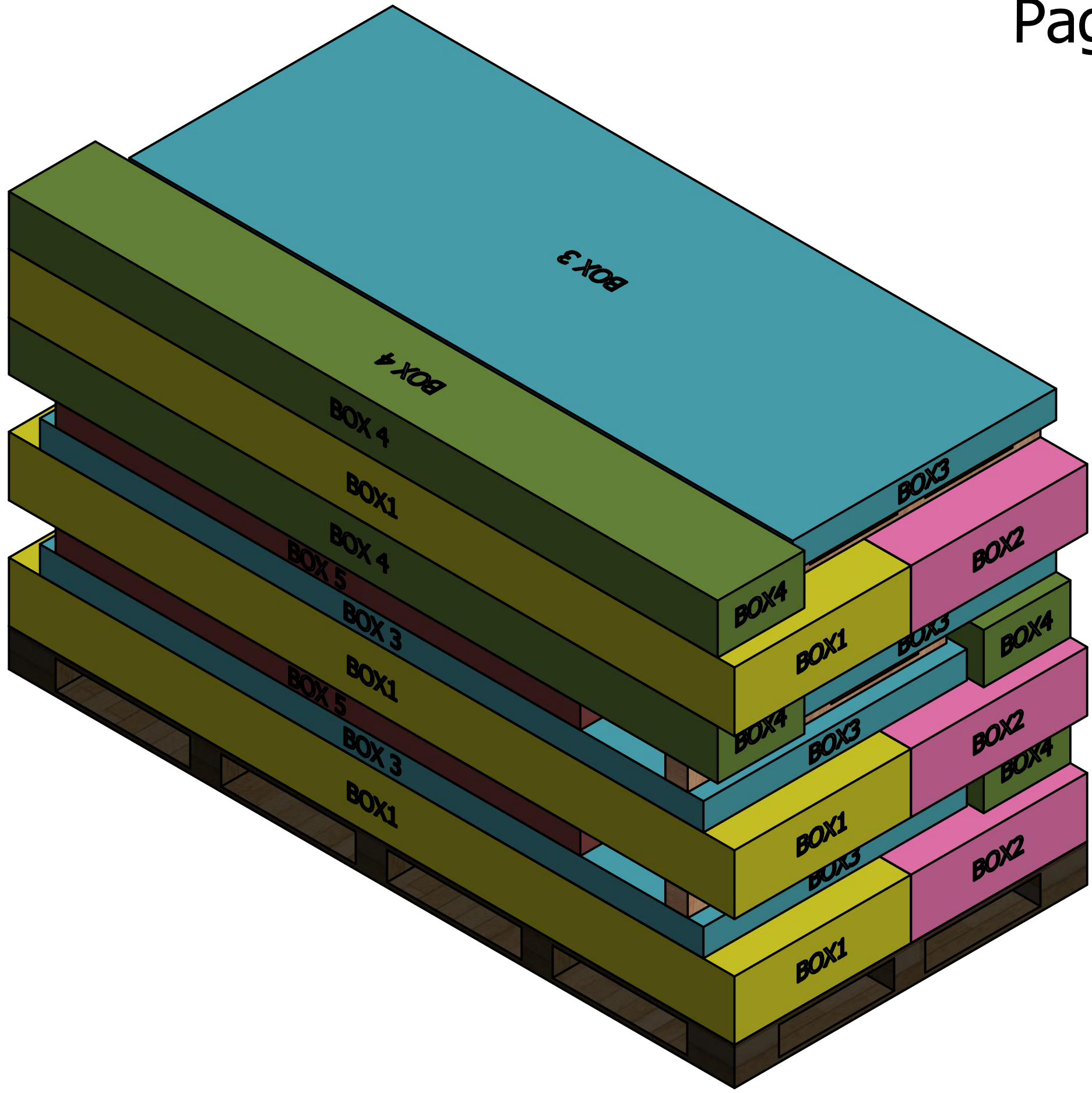
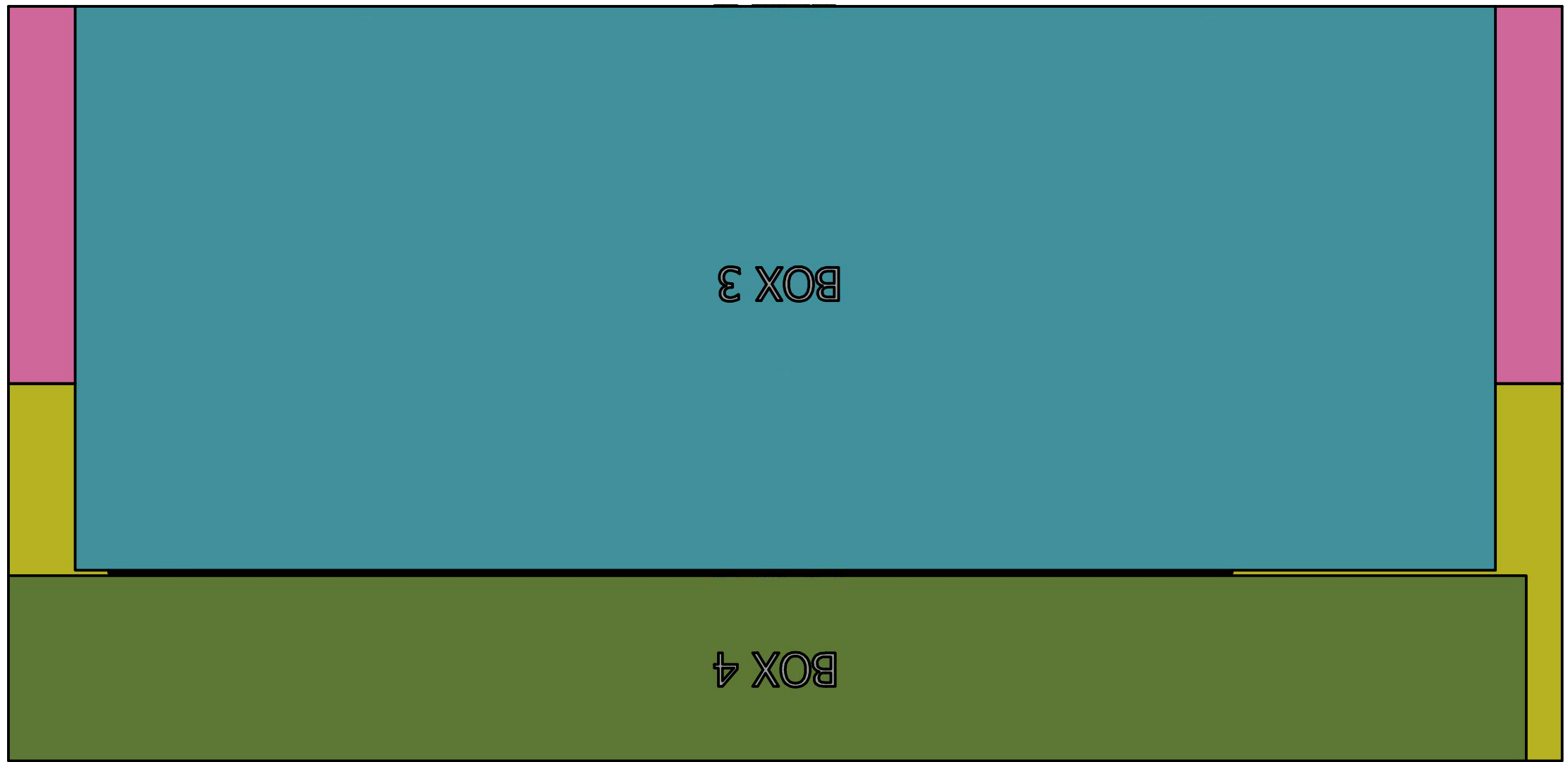


胶合板支撑块 Plywood block * 3pcs
830mm*72mm*72mm

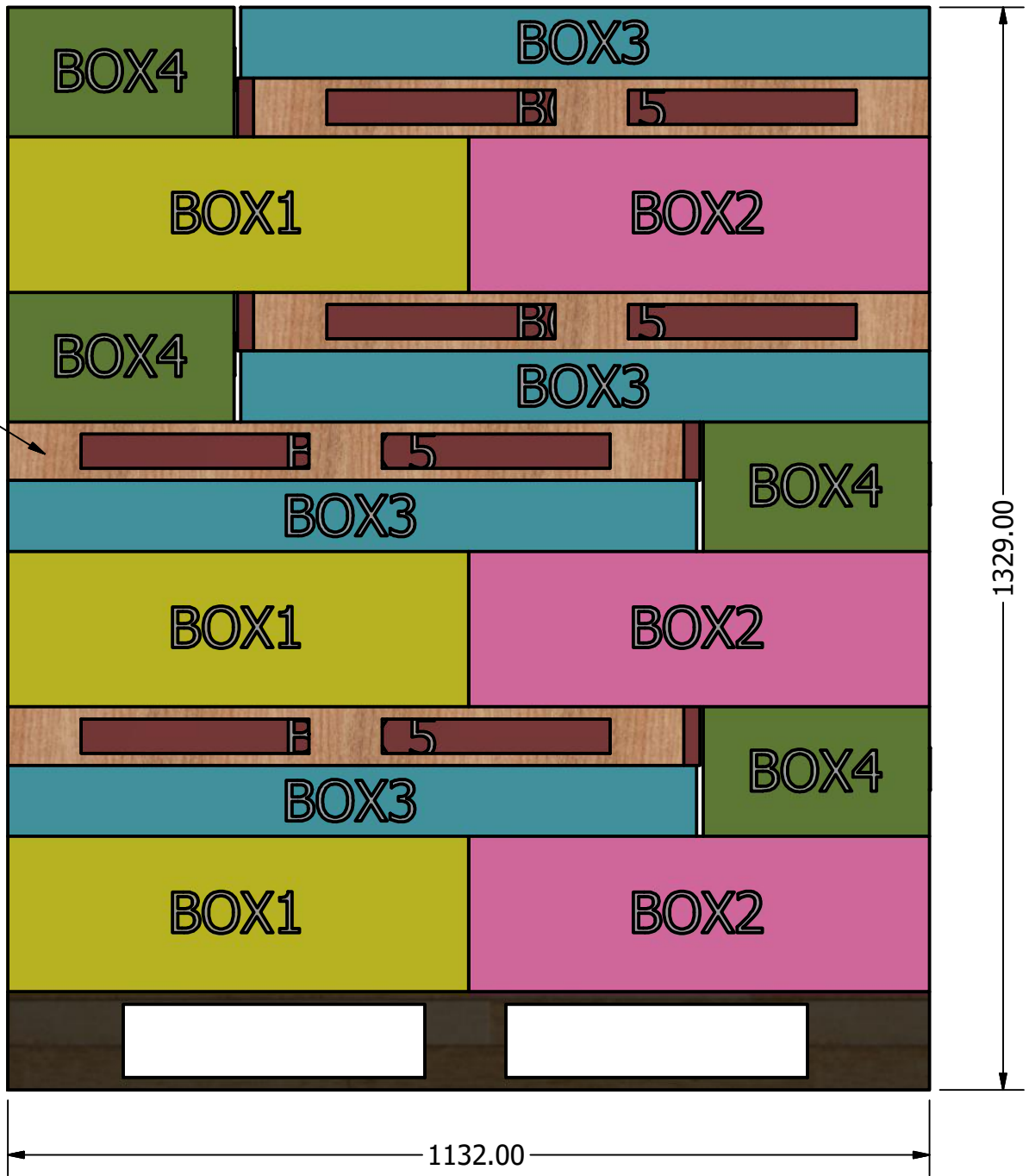


DRAWN Rudy	2019/8/19	TITLE	
CHECKED			
QA			
MFG			
APPROVED			
		SIZE D	DWG NO Pallet A
		SCALE 1: 8	REV
		SHEET 1 OF 1	

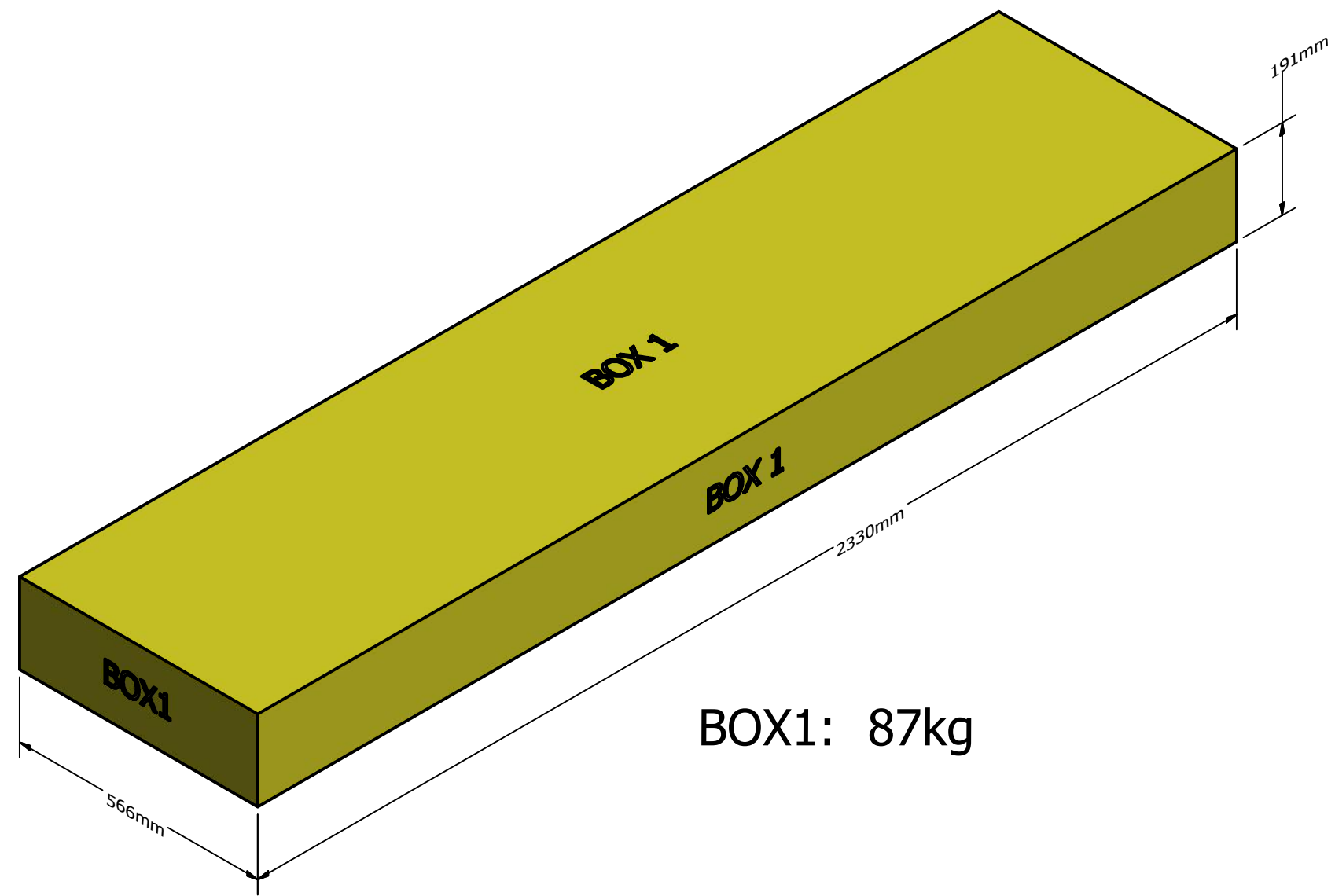
Pallet C (3.5 sets/pallet)



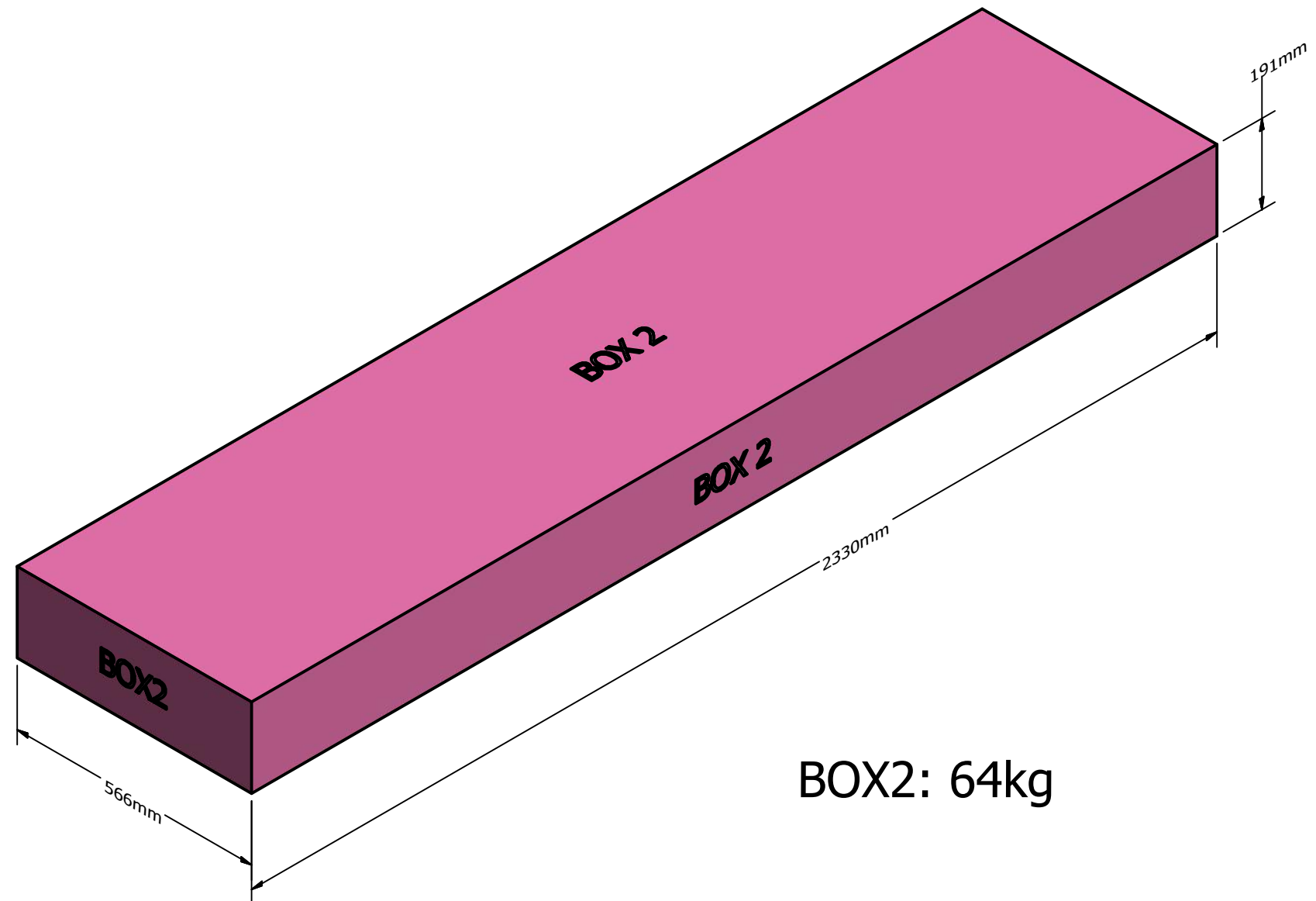
胶合板支撑块 Plywood block * 4pcs
830mm*72mm*72mm



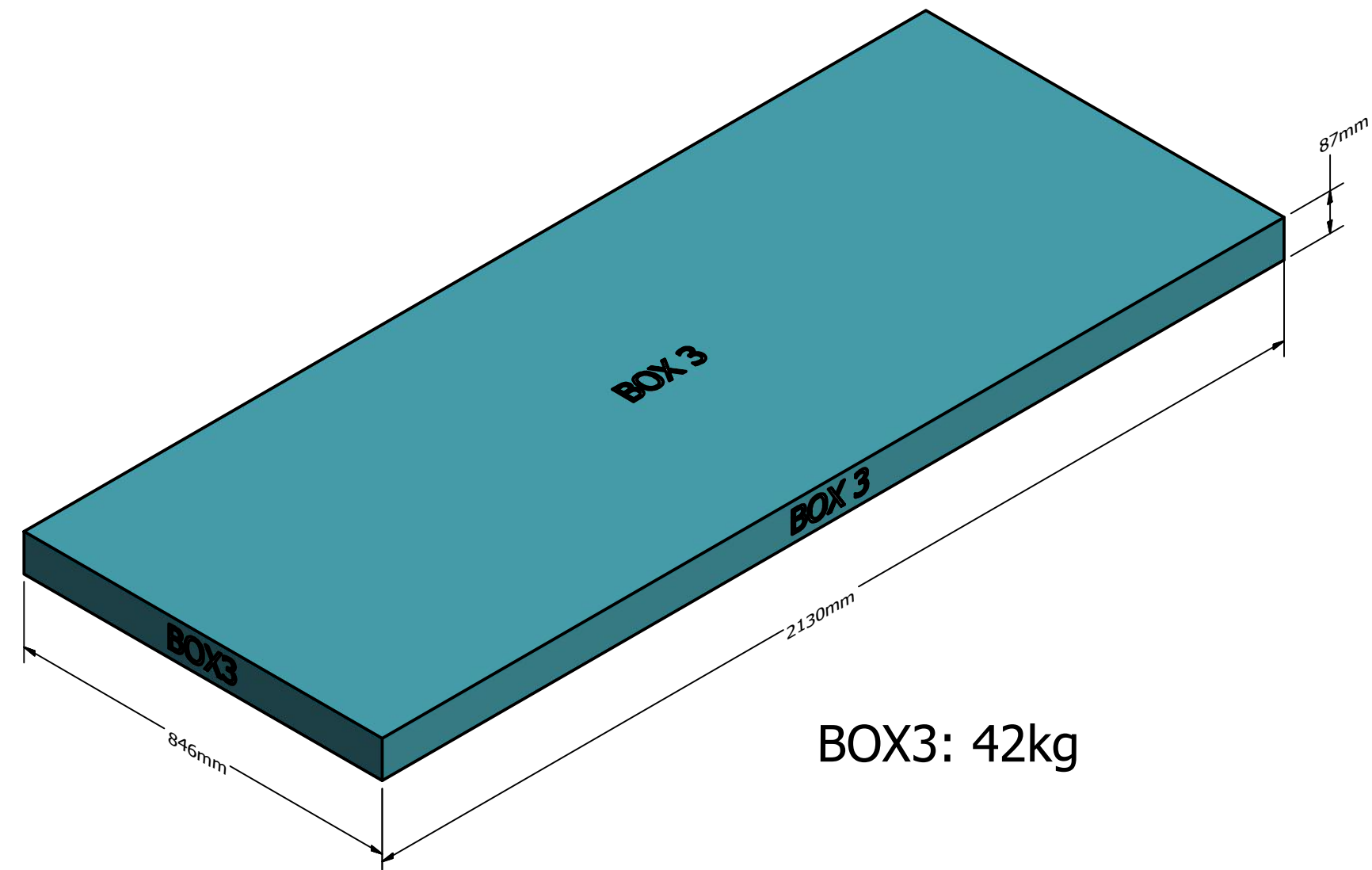
DRAWN Rudy	2019/8/19		
CHECKED		TITLE	
QA			
MFG			
APPROVED			
		SIZE D	DWG NO Pallet A
		SCALE 1 / 8	REV
		SHEET 1 OF 1	



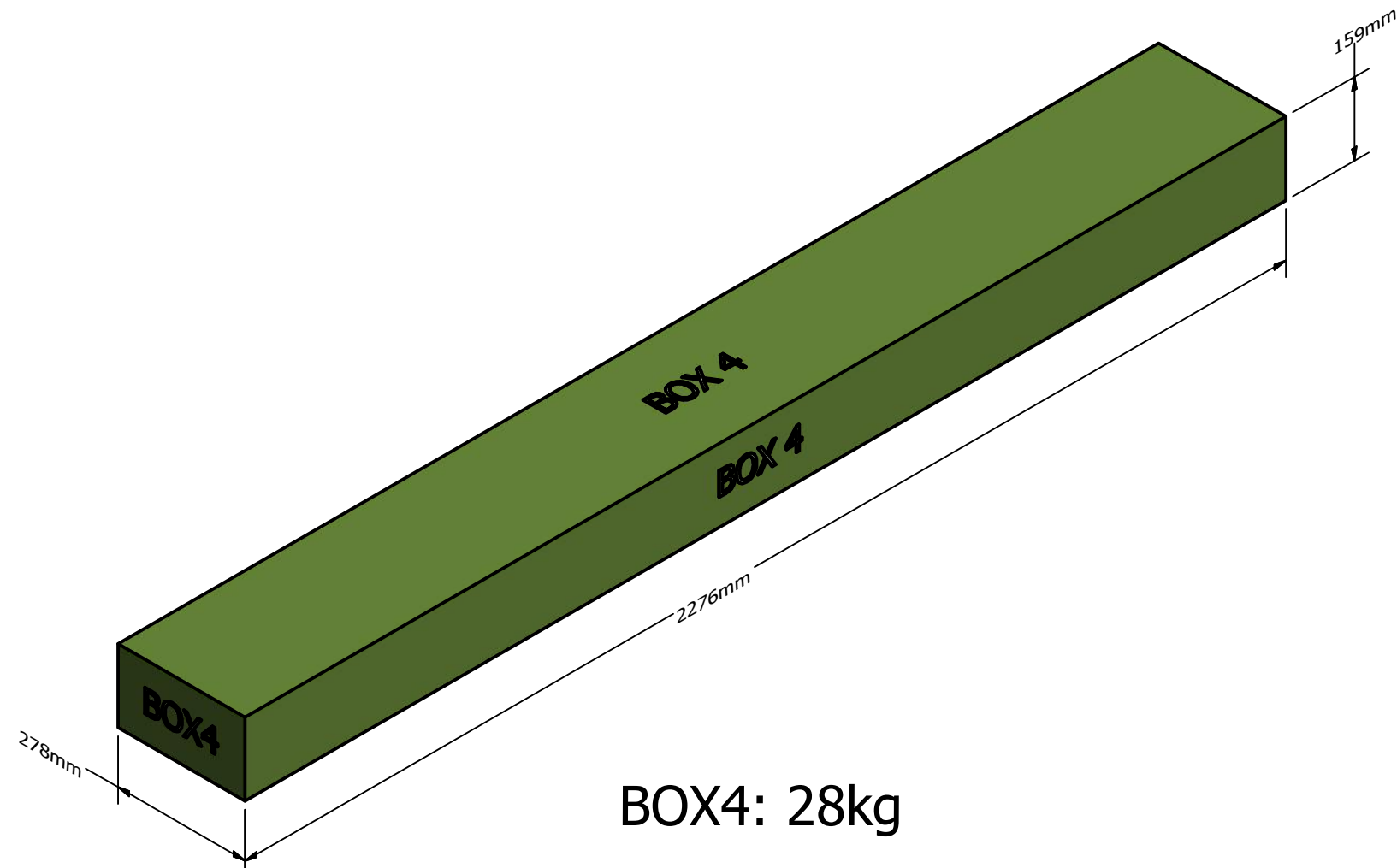
BOX1: 87kg



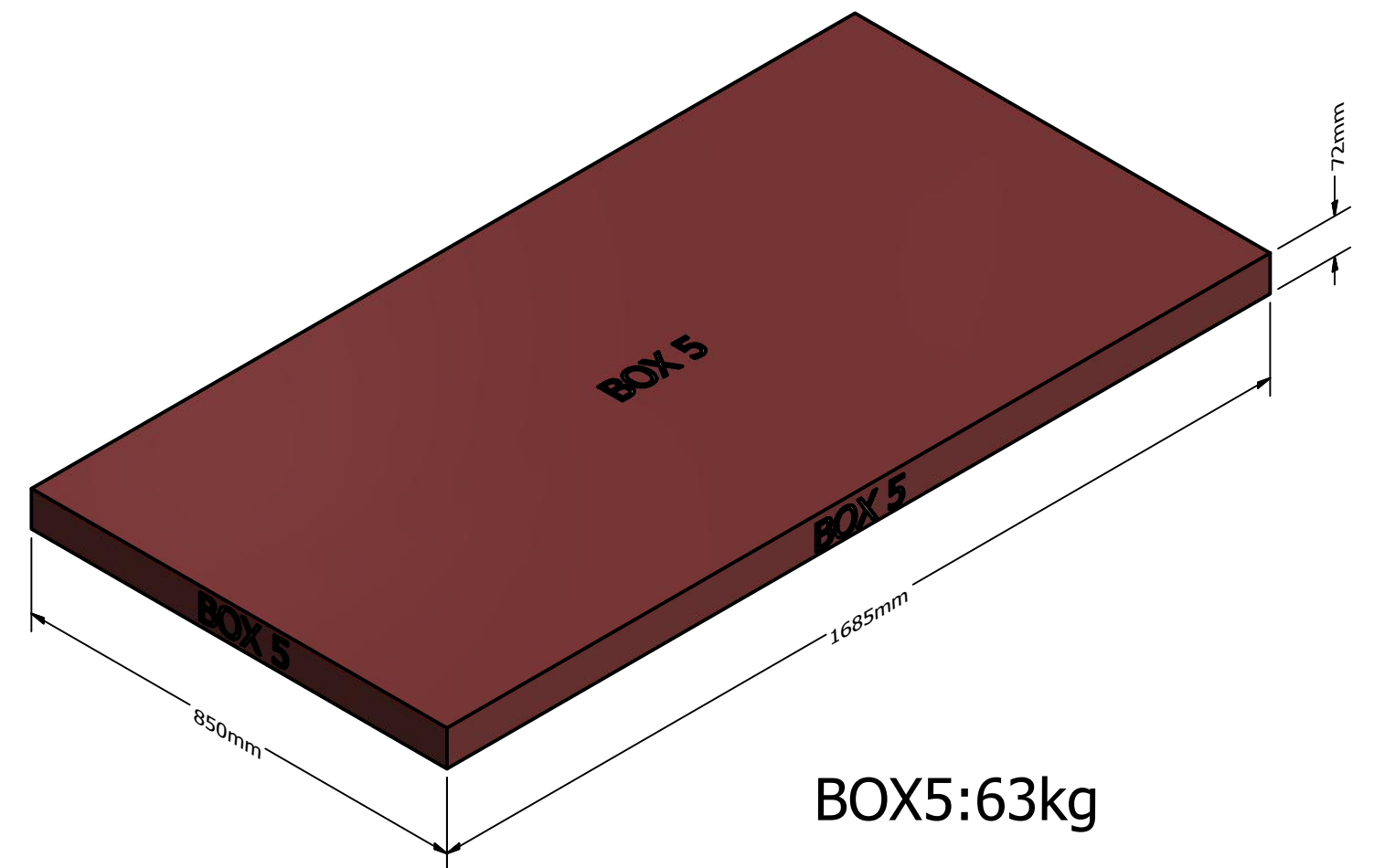
BOX2: 64kg



BOX3: 42kg



BOX4: 28kg



BOX5: 63kg

DRAWN Rudy	2019/8/19	TITLE		
CHECKED				
QA				
MFG				
APPROVED		SIZE D	DWG NO Pallet A (详细)	REV
SCALE 1/10		SHEET 1 OF 1		