

**PLANE IT,
FIT IT**

**DOOR TRIMMING
AND MORE
MADE EASY**

PL1632 & PL2632K
PLANERS
PRODUCT LAUNCH



TABLE OF CONTENTS

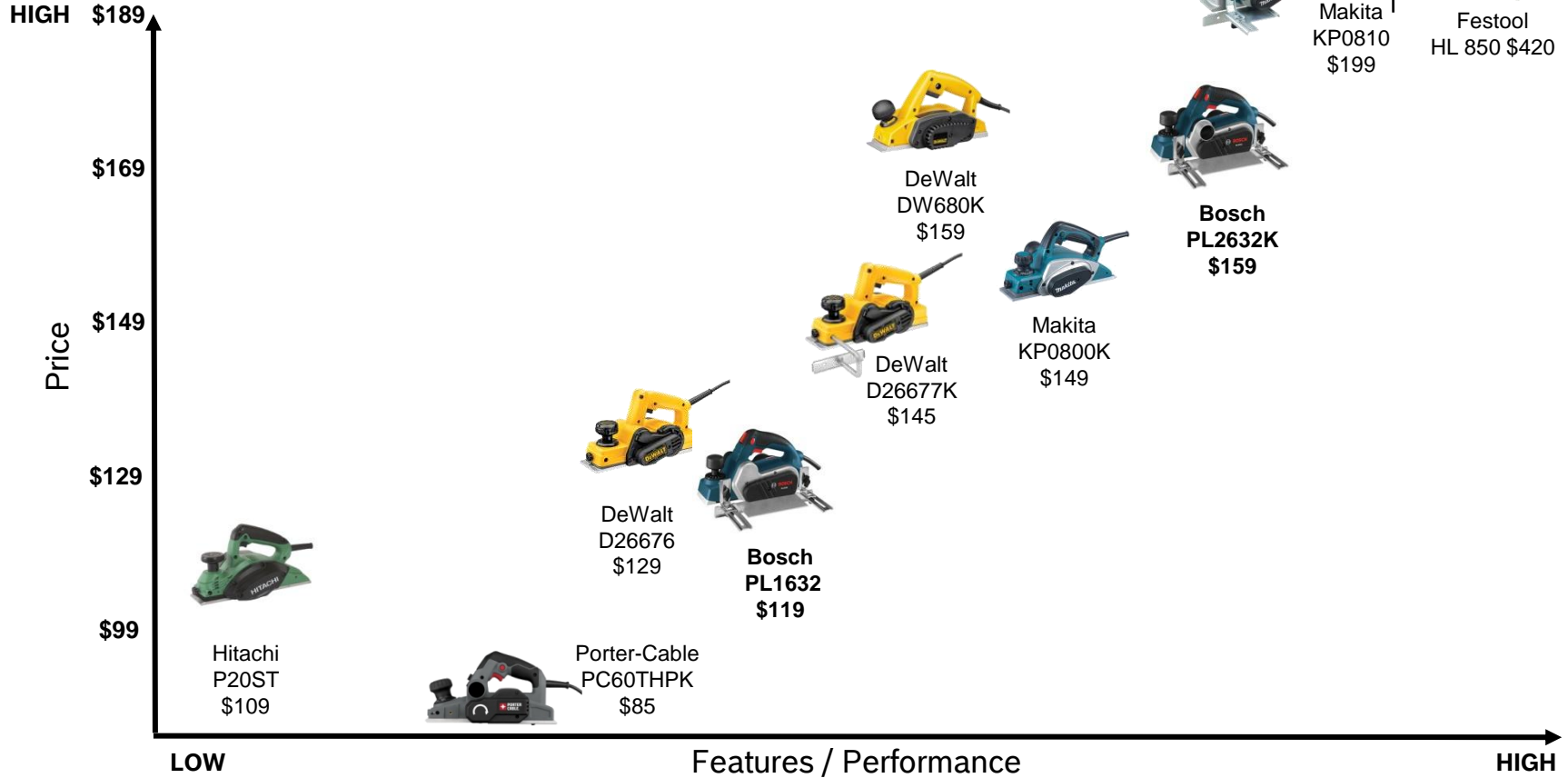
- Market Overview
- Features/Benefits
- Why Bosch
- Target Users and Applications
- Competitive Comparisons
- Marketing Support
- Frequently Asked Questions



MARKET OVERVIEW



Competitor Overview Q2 2015



The PL1632 and PL2632K will compete in the two key price ranges.

FEATURES/ BENEFITS



3-1/4" Planer

Model: PL1632 (Replaces PL1682)

Timing: February 23, 2015

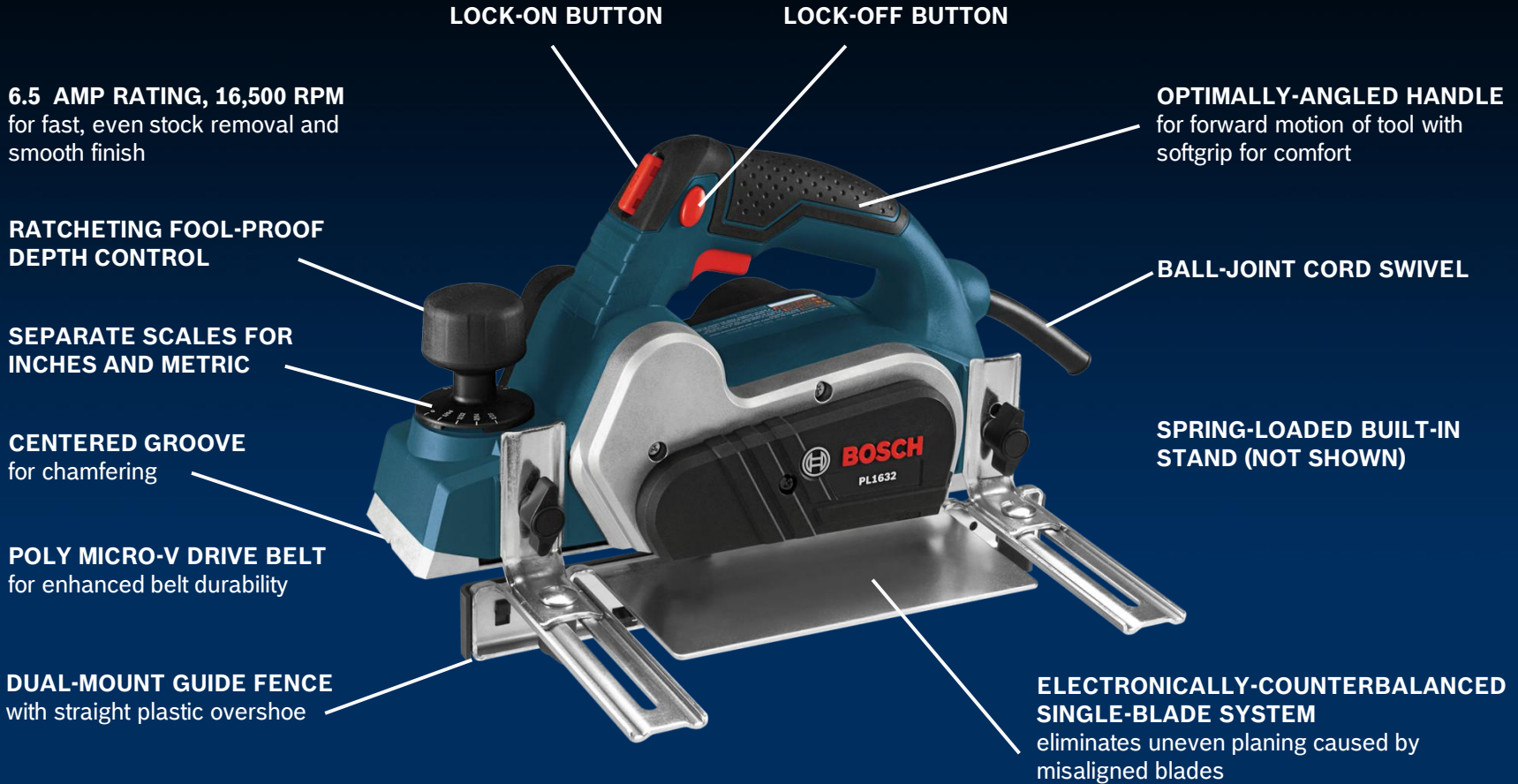


Specifications	
Amp Rating	6.5
Voltage	120V
RPM	16,500
Max Planing Width	3-1/4" (82mm)
Max Per Pass Depth	5/32" (2.6mm)
Max Rabbeting Depth	11/32" (9mm)
Shoe Length	11.4"
Cord Length	10 ft.
Weight	6.7 lbs.

Features / Benefits

- ✓ **High Performance** – Fast, even stock removal and smooth finish in soft and hard woods
- ✓ **Precision Aluminum Front & Rear Shoes** - Precision-machined together after assembly to ensure accuracy.
- ✓ **Dual-Mount Guide Fence** – Includes protective shield for steady planing with straight plastic overshoe to prevent marring of workpiece
- ✓ **Lock-Off and Lock-On Buttons** - First-ever power planer to have both a “lock-off” button to help prevent accidental start-up, plus a lock-on button for extended operation
- ✓ **Ball-Joint Cord Swivel** - For enhanced ease of positioning the tool and cord and for cord durability
- ✓ **Spring-Loaded Built-in Stand** - Elevates tool to protect blade and tool resting spot; allows easy entry in mid of workpiece
- ✓ **Electronically-Counterbalanced Single-Blade System** - Automatically positions blade at ideal cutting angle and eliminates uneven planing caused by misaligned blades
- ✓ **Ratcheting Depth Knob** - Allows fool-proof setting of depth and eliminates the need to re-zero the depth.

PL1632



LOCK-ON BUTTON

LOCK-OFF BUTTON

OPTIMALLY-ANGLED HANDLE
for forward motion of tool with
softgrip for comfort

BALL-JOINT CORD SWIVEL

SPRING-LOADED BUILT-IN
STAND (NOT SHOWN)

6.5 AMP RATING, 16,500 RPM
for fast, even stock removal and
smooth finish

RATCHETING FOOL-PROOF
DEPTH CONTROL

SEPARATE SCALES FOR
INCHES AND METRIC

CENTERED GROOVE
for chamfering

POLY MICRO-V DRIVE BELT
for enhanced belt durability

DUAL-MOUNT GUIDE FENCE
with straight plastic overshoe

ELECTRONICALLY-COUNTERBALANCED
SINGLE-BLADE SYSTEM
eliminates uneven planing caused by
misaligned blades



3.25" Planer Kit

Model : PL2632K (Replace 1594K)

Timing: May 1, 2015



Specifications	
Amp Rating	6.5
Voltage	120V
RPM	16,500
Max Planing Width	3-1/4" (82mm)
Max Per Pass Depth	5/32" (2.6mm)
Max Rabbeting Depth	11/32" (9mm)
Shoe Length	11.4"
Cord Length	10 ft.
Weight	6.3 lbs.

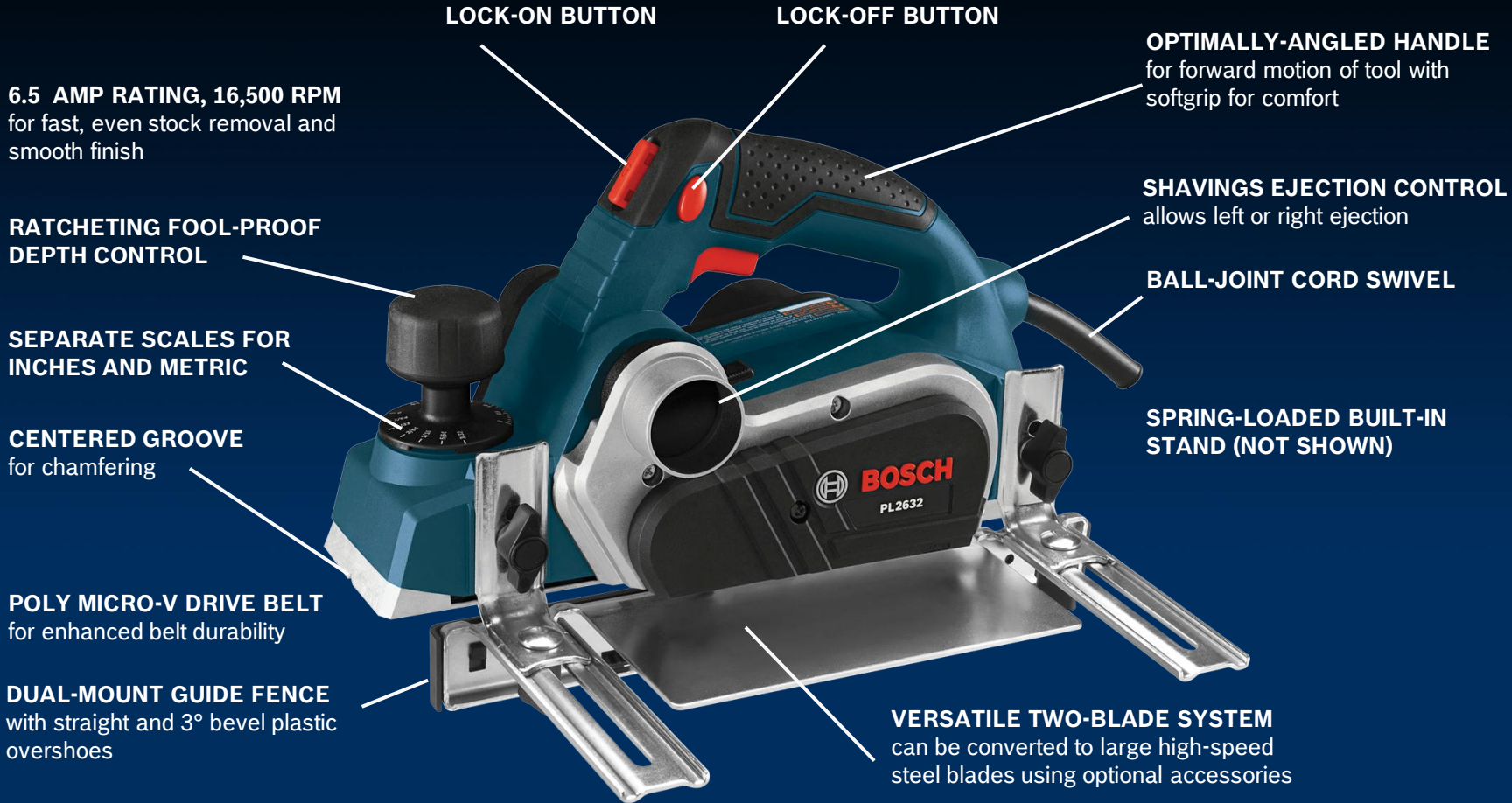
Includes

- (2) Woodrazor® Blades **PA1202**
- Dual-Mount Fence
- Plastic Overshoe
- Shavings Bag
- Blade Wrench
- Blow-Molded Case

Features / Benefits

- ✓ **High Performance** –Fast , even stock removal and smooth finish in soft and hard woods
- ✓ **Precision Aluminum Front & Rear Shoes** - Precision-machined together after assembly to ensure accuracy
- ✓ **Dual-Mount Guide Fence** with protective shield for steady planing with straight and 3° bevel plastic overshoes to prevent marring of workpiece
- ✓ **Lock-Off and Lock-On Buttons** - First-ever power planer to have both a “lock-off” button to help prevent accidental start-up, plus a lock-on button for comfortable extended operation
- ✓ **Ball-Joint Cord Swivel** - For enhanced ease of positioning the tool and cord and for cord durability
- ✓ **Spring-Loaded Built-in Stand** - Elevates tool to protect blade and tool resting spot; allows easy entry in mid of workpiece
- ✓ **Versatile Two-Blade System** - Can be converted to large high-speed steel blades using optional accessories
- ✓ **Shavings Ejection Control** – Ejection to either side

PL2632



LOCK-ON BUTTON

LOCK-OFF BUTTON

OPTIMALLY-ANGLED HANDLE
for forward motion of tool with softgrip for comfort

6.5 AMP RATING, 16,500 RPM
for fast, even stock removal and smooth finish

SHAVINGS EJECTION CONTROL
allows left or right ejection

RATCHETING FOOL-PROOF DEPTH CONTROL

BALL-JOINT CORD SWIVEL

SEPARATE SCALES FOR INCHES AND METRIC

CENTERED GROOVE
for chamfering

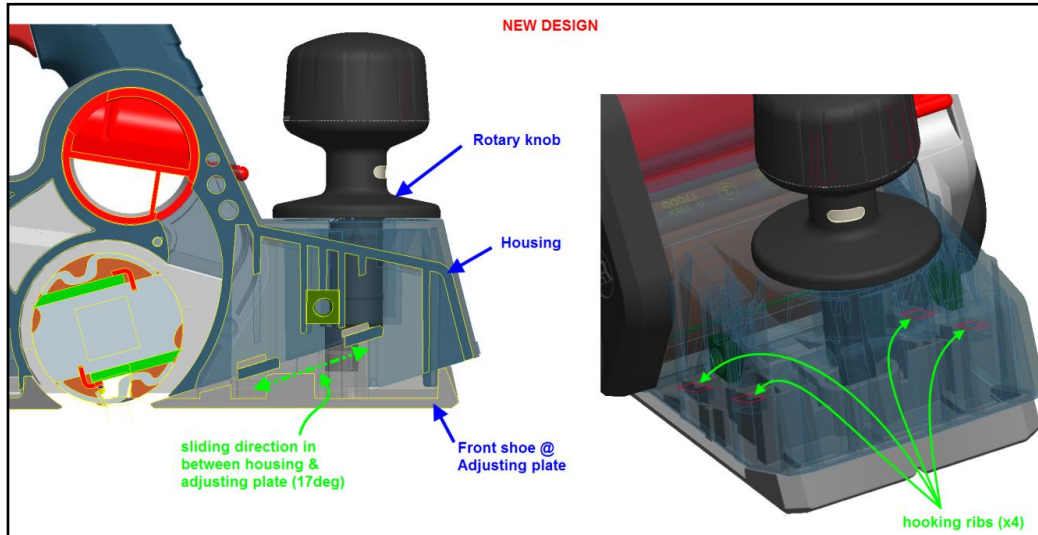
SPRING-LOADED BUILT-IN STAND (NOT SHOWN)

POLY MICRO-V DRIVE BELT
for enhanced belt durability

DUAL-MOUNT GUIDE FENCE
with straight and 3° bevel plastic overshoes

VERSATILE TWO-BLADE SYSTEM
can be converted to large high-speed steel blades using optional accessories

New Front Shoe Adjustment System for Stability and Even Planing



The new front shoe adjustment system includes multiple improved design elements

- Rigidity of adjusting plate structure (front shoe structure)
- New “hooking” ribs on all four corners of front plate and housing to prevent twisting of front plate
- Tight fit of adjusting plate structure within housing to prevent twisting of front plate

This new system will help ensure that the front and rear shoes are parallel for even planing.

Other Product Details

Ball-joint cord swivel

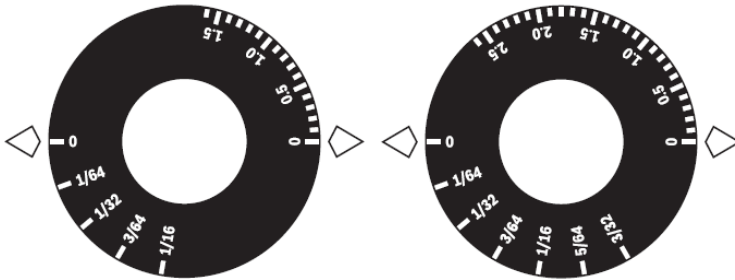


Spring-loaded planer stand



Full size shavings bag

Standard equipment for both models



PL1632

PL2632

Separate inch and metric scales





Plastic straight overshoe for guide fence

Standard equipment for both models. (3° bevel overshoe [not shown] is red for easy distinction)

New vs. Current Bosch Planers

The PL1632 and PL2632K have many enhancements compared to the current PL1682 and 1594K models.

Items highlighted in yellow are new features.

				
Brand	Bosch	Bosch	Bosch	Bosch
Model	New! PL1632	PL1682	New! PL2632K	1594K
AMP Rating / Speed RPM	6.5 / 16500	6 / 16500	6.5 / 16500	6.5 / 16500
Constant Electronics	No	No	No	No
Tool Length	11-1/8"	11-1/8"	11-1/8"	11-1/8"
Weight (lbs)	6.7	6	6.3	6
CAPACITIES				
Max. Per Pass Cut Depth	(1/16") 1.5 mm	(1/16") 1.5 mm	(3/32") 2.6 mm	(3/32") 2.6 mm
Rabbeting Depth	9 mm (5/16")	9 mm (5/16")	9 mm (5/16")	9 mm (5/16")
Depth Indications	Inches/Metric	Inches/Metric	Inches/Metric	Inches/Metric
Cord Length	10' Rubber	10' Rubber	10' Rubber	10' Rubber
BLADES & BLADE-CHANGING				
Number of Blades	1	1	2	2
Blade Material	Micrograin Carbide	Micrograin Carbide	Micrograin Carbide	Micrograin Carbide
Reversible Blades	Yes	Yes	Yes	Yes
Large HSS Possible	No	No	Yes- W/Accys	Yes- W/Accys
Blade Gauge Assembly	No	No	Optional	Optional
CONTROLS				
Softgrip Handle	Yes	No	Yes	No
Lock-Off Release Button	Either Side	Either Side	Either Side	Either Side
Lock-On Switch	Yes	No	Yes	No
Cord Swivel	Yes	No	Yes	No
SHAVINGS & DUST MANAGEMENT				
Left or Right Chip Eject	No	No	Yes	Yes
Savings Bag	Std	Std	Std	Std
Vacuum Hose Adapter	Optional	Optional	Optional	Optional
GUIDANCE				
Planer Stand	Springed	Springed	Springed	Springed
Edge Guide	Dual-Mount	Basic	Dual-Mount	Basic
Edge Guide Shield	Yes	Yes	Yes	Yes
Edge Guide Position(s)	Left or right	Left or right	Left or right	Left only
Edge Guide Overshoe, Straight	Yes	No	Yes	No
Edge Guide Overshoe, 3° Bevel	Optional	No	Yes	No
Edge Guide, 0-45° Bevel	No	Optional	No	Yes
Chamfer Grooves	1	3	1	3
Rabbeting Depth Guide	Optional	Optional	Optional	Optional
STORAGE				
On-Tool Wrench Storage	Yes	Yes	No	No
Case	No	No	Yes	Yes



Execution Comparison



PL1632

\$119

- ✓ PL1632 planer
- ✓ Hex blade wrench
- ✓ Shavings bag
- ✓ Dual-mount fence
- ✓ Straight plastic overshoe



PL2632K

\$159

- ✓ PL2632K planer
- ✓ Torx blade wrench
- ✓ Shavings bag
- ✓ Dual-mount fence
- ✓ Straight plastic overshoe
- ✓ 3° bevel overshoe
- ✓ Blow-molded case



BOSCH

Compatible Bosch Accessories & Attachment

Planer Blades (Knives)

✓ PA1202 Woodrazor® Micrograin Minicarbide Planer Blades (2)



✓ PA1204 Large High-Speed Steel Blades (2)*



✓ PA1205 Large High-Speed Steel Blades (2)*



✓ PA 1206 High-Speed Steel Planer Blade Leveling Fixture*

**Not for use with PL1632 Planer*



Guidance

✓ 1608132006 Rabbeting Depth Stop



✓ PA1208 3° Bevel Plastic Overshoe

(Image Unavailable)

Compatible Bosch Attachments

Dust Collection

- ✓ VAC002 Vac Hose Adapter – 1-1/4" / 1-1/2" Hose to Port for 35mm Hose
- ✓ VAC024 Vac Hose Adapter – 1-1/4" / 1-1/2" Hose to Port for 35mm Hose
- ✓ VAC020 Vac Hose Adapter – 2-1/2" Hose to Port for 35mm Hose
- ✓ VAC005 35mm 5-Meter (16.4 ft.) Airsweep™ Hose
- ✓ VAC006 35mm 5-Meter (16.4 ft.) Airsweep™ Locking Hose
- ✓ VH1035 35mm 10-foot Dust Extractor Hose
- ✓ VH1635 35mm 16-foot Dust Extractor Hose
- ✓ VH1635A 35mm 16-foot Dust Extractor Hose – Antistatic



BOSCH

How to Demonstrate

Application

Horizontal planing of edge (such as door)



Material & Accessory

Material

2x6 lumber (or 2x8, etc.)

Tool

PL1632 or PL2632 Planer
Dual-Mount Fence &
Overshoe

Other

Saw horses
Clamps

Clamp 2x6 material onto saw horses and plane edge as though it were the bottom of a door.
(See area outline in yellow in the above photo.)

This shows our planers' most-important advantages in a common application.

Pricing Information

Model #	Description	10-Digit #	Suggested Industry Price	50% Off	Premier
				Suggested Industry Price	
PL1632	3.25" Planer	06015A4010	\$217.00	\$108.50	\$103.00
PL2632K	3.25" Planer Kit	06015A4310	\$303.00	\$151.50	\$144.00
1608132006	Rabbeting Depth Stop	1608132006	\$16.67	\$8.33	\$7.50
PA1202	WoodRazor Blades (2)	2610006248	\$19.11	\$9.56	\$8.60
PA1204	Large HSS Blades with Retainers (2)	2607002398	\$38.81	\$19.41	\$17.47
PA1205	Large HSS Blades (2)	2610955713	\$25.88	\$12.93	\$11.64
PA1206	Blade-Leveling Fixture	2607970012	\$5.85	\$2.93	\$2.63
PA1208	3° Plastic Overshoe for Dual-Mount Fence	1600A009DY	\$11.00	\$5.50	\$5.25

Set-Up Information

Model #	Bare Product Weight (lbs)	Pack Weight (lbs)	Pkg Qty	UPC	Packaging Dimensions	Cube (ft)	Pallet Qty	Pallet Cube (ft)	Harmonized Tariff No.	Country of
										Origin
PL1632	6.7	9.4	1	000346463019	12.5" x 15.75" x 4"	0.46	72	50	8467.29.0065	Malaysia
PL2632K	6.3	14	1	000346463026	11.5" x 17.4" x 4.4"	0.5	24	46.1	8467.29.0065	Malaysia
1608132006	0.10	0.12	1	000346045727	6.7" x 3" x 1.5"	0.02	NA	NA	8467.99.0190	Germany
PA1202	0.035	0.045	2	000346314557	0.23" x 2.8" x 5.5"	0.002	NA	NA	8208.90.6000	Taiwan
PA1204	0.3	0.3	2	000346320374	3.5" x 2.5" x 2.5"	0.013	NA	NA	8208.90.6000	Malaysia
PA1205	0.2	0.21	2	000346320381	0.15" x 3.83" x 5.84"	0.002	NA	NA	8208.90.6000	Malaysia
PA1206	0.9	0.1	1	000346320398	7" x 3" x 0.6"	0.007	NA	NA	8208.90.6000	Malaysia
PA1208	0.9	1	1	000346471687	15" x 4" x 1"	0.035	NA	NA	8467.99.1090	Malaysia



WHY BOSCH



Why Bosch

User Needs:

✓ **Even, Quality Results**

✓ **Ease of Use**

Bosch Delivers:

New Front Shoe Adjustment System

- Multiple improved front shoe design elements and machining of shoes after assembly will ensure shoes are parallel

Dual-Mount Fence with Plastic Overshoe

- Mounts to front and back for stability
- Plastic overshoes help protect the workpiece
- Mounts to either side for versatility

Excellent Blades

- Both models feature Bosch Woodrazor® blades

Numerous Conveniences, Such As These:

- Separate inch and metric scales
- Combination of lock-on and lock-off buttons
- Full-size shavings bag
- Ball-joint cord swivel

The new Bosch planers offer unique user-valued advantages.

TARGET USERS & APPLICATIONS



Key Target Applications with Estimated % of Use



Trimming Doors (60%)



Preparing Studs & Joists for Drywall (20%)



Shaping Boat Hulls (5%)



Trimming Wooden Window Frames (5%)



Scribing The Backs of Cabinet Side Panels and Filler Strips (5%)





Smoothing Rough-Hewn Wood (1%)

Door trimming is by far the most-frequent application for handheld power planers.

COMPETITIVE COMPARISONS



Competitor Overview Q2 2015

									
Brand	Bosch	Hitachi	DeWalt	DeWalt	Makita	Bosch	DeWalt	Makita	Makita
Model	PL1632	P20ST	D26676	D26677K	KP0800K	PL2632K	DW680K	KP810	KP810C
AMP Rating / Speed RPM	6.5 / 16500	5.5 / 17000	5.5 / 17000	5.5 / 17000	6.5 / 17000	6.5 / 16500	7 / 15000	7.5 / 16000	7.5 / 16000
Constant Electronics	No	No	No	No	No	No	No	No	Yes
Tool Length	11-1/8"	11-21/32"	11-11/16"	11-11/16"	11-1/4"	11-1/8"	11-11/16"	11-3/8"	11-3/8"
Weight (lbs)	6.7	5.5	6	6	5.7	6.3	6.2	7.3	7.3
CAPACITIES									
Max. Per Pass Cut Depth	(1/16") 1.5 mm	(1/16") 1.5 mm	(1/16") 1.5 mm	(1/16") 1.5 mm	(3/32") 2.6 mm	(3/32") 2.6 mm	3/32" 2.5 mm	(5/32") 4mm	(5/32") 4mm
Rabbeting Depth	9 mm (5/16")	11/32"	23/64"	23/64"	9 mm (11/32")	9 mm (5/16")	1/2"	1" (25mm)	1" (25mm)
Depth Indications	Inches/Metric	Inches Only	Inches Only	Inches Only	Inches Only	Inches/Metric	Inches Only	Inches	Inches
Cord Length	10' Rubber	Unknown	9' Rubber	9' Rubber	8.5' Rubber	10' Rubber	10' Rubber	8' Rubber	8' Rubber
BLADES & BLADE-CHANGING									
Number of Blades	1	2	2	2	2	2	2	2	2
Blade Material	Micrograin Carbide	HSS	HSS	Carbide	Carbide	Micrograin Carbide	Std. Crbd.	Carbide	Carbide
Reversible Blades	Yes	No	No	Yes	Yes	Yes	Yes	Yes	Yes
Large HSS Possible	No	Standard	Standard	Yes- W/Accys	Yes	Yes- W/Accys	Yes- W/Accys	Yes	Yes
Blade Gauge Assembly	No	Yes	Yes	Yes	Yes	Optional	Yes	Yes	Yes
CONTROLS									
Softgrip Handle	Yes	Yes	No	No	Yes	Yes	No	Yes	Yes
Lock-Off Release Button	Either Side	No	No	No	No	Either Side	No	No	No
Lock-On Switch	Yes	Left Side	Left Side	Left Side	Either Side	Yes	Left Side	Either Side	Either Side
Cord Swivel	Yes	No	No	No	No	Yes	No	No	No
SHAVINGS & DUST MANAGEMENT									
Left or Right Chip Eject	Right	Right	Right	Right	Right	Both	Right	Yes	Yes
Savings Bag	Std	Yes	No	No	Optional	Std	Optional	Optional	Optional
Vacuum Hose Adapter	Optional	Yes	Optional	Optional	Optional	Optional	No	Optional	Optional
GUIDANCE									
Planer Stand	Sprunged	Yes	Yes	Yes	Sprunged	Sprunged	Basic	Sprunged	Sprunged
Edge Guide	Dual-Mount	Basic	Basic	Basic	Basic	Dual-Mount	Basic	Basic	Basic
Edge Guide Shield	Yes	No	No	No	Yes	Yes	No	Yes	Yes
Edge Guide Position(s)	Left or right	Left or right	Left or right	Left or right	Left only	Left or right	Left or right	Left only	Left only
Edge Guide Overshoe, Straight	Yes	No	No	No	No	Yes	No	No	No
Edge Guide Overshoe, 3" Bevel	Optional	No	No	No	No	Yes	No	No	No
Edge Guide, 0-45° Bevel	No	No	No	No	No	No	No	Optional	Optional
Chamfer Grooves	1	1	1	1	1	1	3	3	3
Rabbeting Depth Guide	Optional	No	No	No	No	Optional	No	Yes	Yes
STORAGE									
On-Tool Wrench Storage	Yes	No	No	No	No	No	No	No	No
Case	No	Yes	No	Inj Mold	Case	Yes	Inj Mold	No	No

Bold = BOSCH Advantage

The PL1632 and PL2632K compare very favourably against competitor models.



Head-to-Head vs. Key Competitor Execution



vs.



Bosch – PL1632 **\$119**

- ✓ 6.5 Amp rating
- ✓ Dual-mount fence with protective plate & straight plastic overshoe
- ✓ Both lock-off button and lock-on buttons
- ✓ Ball-joint cord swivel
- ✓ Includes shavings bag

Dewalt – D26676 **\$129**

- ✓ 5.5 Amp rating
- ✓ Single-mount fence with no protective plate, no plastic overshoe
- ✓ No lock-off button and lock-on button only on one side of tool
- ✓ No ball-joint cord swivel
- ✓ No shavings bag is included

Bosch Advantage

- ✓ *Higher amp rating*
- ✓ *All-around better fence*
- ✓ *Helps avoid accidental starts, ambidextrous*
- ✓ *Easier to manage cord*
- ✓ *Collection of shavings & dust*

The Bosch PL1632 is all-around better offering than the DeWalt D26676.

Head-to-Head vs. Key Competitor Execution



vs.



Bosch – PL1632 \$119

- ✓ 6.5 Amp rating
- ✓ Dual-mount fence with protective plate & straight plastic overshoe
- ✓ Both lock-off button and lock-on buttons
- ✓ Ball-joint cord swivel
- ✓ Includes shavings bag

Makita – KP0800K \$149

- ✓ 6.5 Amp rating
- ✓ Single-mount fence with no protective plate, no plastic overshoe
- ✓ No lock-off button and lock-on button only on one side of tool
- ✓ No ball-joint cord swivel
- ✓ No shavings bag is included

Bosch Advantage

- ✓ *Competitive amp rating*
- ✓ *All-around better fence*
- ✓ *Helps avoid accidental starts, ambidextrous*
- ✓ *Easier to manage cord*
- ✓ *Collection of shavings and dust*

The Bosch PL1632 is competitive with Makita KP0800, which includes a case.

Head-to-Head vs. Key Competitor Execution



vs.



Bosch – PL1632 \$119

- ✓ 6.5 Amp rating
- ✓ Dual-mount fence with protective plate & plastic overshoe
- ✓ Both lock-off button and lock-on buttons
- ✓ Ball-joint cord swivel

Hitachi– P20ST \$109

- ✓ 5.5 Amp rating
- ✓ Single-mount fence with no protective plate, no plastic overshoe
- ✓ No lock-off button and lock-on button only on one side of tool
- ✓ No ball-joint cord swivel

Bosch Advantage

- ✓ *Higher amp rating*
- ✓ *All-around better fence*
- ✓ *Helps avoid accidental starts, ambidextrous*
- ✓ *Easier to manage cord*

The Bosch PL1632 is competitive with Makita KP0800, which includes a case.

Head-to-Head vs. Key Competitor Execution



vs.



Bosch – PL2632K \$159

- ✓ Dual-mount fence with protective plate & two plastic overshoes
- ✓ Both lock-off button and lock-on buttons
- ✓ Either-side shavings ejection
- ✓ Includes shavings bag
- ✓ Ball-joint cord swivel

Dewalt – DW680K \$149

- ✓ Single-mount fence with no protective plate, no plastic overshoe
- ✓ No lock-off button and lock-on button only on one side of tool
- ✓ One-side shavings ejection
- ✓ No shavings bag is included
- ✓ No ball-joint cord swivel

Bosch Advantage

- ✓ *All-around better fence*
- ✓ *Helps avoid accidental starts, ambidextrous*
- ✓ *Collection of shavings & dust*
- ✓ *Easier to manage shavings*
- ✓ *Easier to manage cord*

The Bosch PL2632K is competitive with DeWalt DW680K.

Head-to-Head vs. Key Competitor Execution



vs.



Bosch – PL2632K \$159

- ✓ Dual-mount fence with protective plate & two plastic overshoes
- ✓ Both lock-off button and lock-on buttons
- ✓ Either-side shavings ejection
- ✓ Includes shavings bag
- ✓ Ball-joint cord swivel

Makita– KP0800K \$149

- ✓ Single-mount fence with no protective plate, no plastic overshoe
- ✓ No lock-off button and lock-on button only on one side of tool
- ✓ One-side shavings ejection
- ✓ No shavings bag is included
- ✓ No ball-joint cord swivel

Bosch Advantage

- ✓ *All-around better fence*
- ✓ *Helps avoid accidental starts, ambidextrous*
- ✓ *Collection of shavings & dust*
- ✓ *Easier to manage shavings*
- ✓ *Easier to manage cord*

The Bosch PL2632K is competitive with Makita KP0800K.

MARKETING SUPPORT



Q1 Marketing Communications Plan to be Distributed in January 2015

Timeline

Merchandising Availability

Fact Stickers	Jan. 15, 2015
Sell Sheets	Jan. 15, 2015

Product Availability

Tool, Attachments and Accessories

PL1632	3-1/4" Planer	Feb. 23, 2015
PL2632K	3-1/4" Planer Kit	May 1, 2015
1608132006	Rabbeting Depth Stop	Now
PA1204	WoodRazor® Micrograin Mini Carbide Blades (Pair)	Now
PA1204	Large High-Speed Steel Blades with Retainers (Pair)	Now
PA1205	Large High-Speed Steel Blades (Pair)	Now
PA1206	Blade-Leveling Fixture	Now
PA1208	3° Bevel Overshoe	May 1, 2015

FREQUENTLY ASKED QUESTIONS



Frequently Asked Questions

Why are hand-held power planers not wide enough to plane 4X in one pass?

The industry-standard 82 mm planers were developed for a specific beam size elsewhere in the world and that width became the worldwide standard. As many North American users have learned, 82 mm is not wide enough to plane the full width of a standard North American 2x4, which is 3-1/2" (89 mm) in width. Although it would be better for North American users if handheld power planers could plane the full width of 4x material in one pass, the reality is that this application is rarely needed and can still be done albeit with two passes required.

What has been the market reaction to the Bosch single-blade planers, such as the 3365 and PL1632 corded planers and the Bosch cordless planers?

While there was some concern in 2002 before we launched the first single-blade planer, there was little friction from the market to it at the time of the launch and in the years since.

Why do we not include second blade with the PL1632 as we have with the PL1682?

Only one blade is included with the PL1632 because of the cost. The new dual-mount fence with plastic overshoe and other enhancements pushed the cost of the PL1632 considerably above the cost of the PL1682. The included blade is, of course, a durable Bosch Woodrazor® micrograin mini-carbide blade and will last longer than standard mini-carbide blades. It also reversible, so it will take quite a while before most users will need to purchase replacement blades.

Frequently Asked Questions

What is rational of new planers' model numbers?

- PL1632: PL = Planer, 16= 1.6mm (also 1/16"), 32= 3.25"
- PL2632K: PL = Planer, 26= 2.6mm , 32= 3.25", K=Carrying Case

As we have had complaints from time to time over the years about the front and rear shoes on the 1594 and PL1682 models not being parallel, what has been done to ensure that we don't have similar issues with the new planer models?

As shown on page 10 of this Launch Package, "New Front Shoe Adjustment System for Stability and Even Planing", there is new front shoe adjustment system on the PL1632 and PL2632. In addition, to further ensure that the shoes are parallel with each other, the shoes are machined together on the sample process after they have been installed on the housing.

Why do the new planers have only one chamfer groove?

There were several reasons for eliminating the outer grooves that are present on our current planer models. First, a planer can get snagged on the grooves while planing a narrow flat surface, such as a door. Secondly, chamfering is a rather infrequent planer application. Moreover, it is extremely difficult to create an even chamfer with the non-centered grooves. These reasons made it clear that the outer grooves were more of a problem than a benefit, and so we eliminated them from the new models.



Frequently Asked Questions

What is the benefit of the 3° bevel overshoe?

To ensure that the back corners of the long non-hinged edge of a door does not rub against the jamb, many door installers plane a 3° bevel on to that edge. The 3° bevel overshoe is a simple solution to make it easy for users to create such a bevel. It easily mounts onto the dual-mount guide fence. It is standard equipment with the PL2632K and available separately as the PA1208 for use with the PL1632.

Why wasn't a new "full-range" (0-45°) bevel guide fence developed for the new planers?


As with every new product development project there were target costs to be met and a fixed amount of tooling monies. It was determined early on in the development that a long, solid dual-mount guide fence with a no-mar plastic overshoe would be more beneficial to in many situations than a bevel fence such as when planing the bottom of doors. Moreover, it has a low-enough cost that we could include it with the PL2632K and with the PL1632. It would not have been financially possible to include a full-range bevel fence with the PL1632. Importantly, most planing is done without a bevel angle, and we do have the 3° bevel overshoe to meet the most-frequent planer beveling application.

Will the new planers accept the optional 2607001077 Planer Bevel Guide Fence?

Unfortunately, no. The internal depth adjustment mechanism in the new planer models is wider than the one in the old models, and there is not enough room for the mounting bolt of 2607001077 Planer Bevel Guide Fence. Again, most planing is done without a bevel angle, and we do have the 3° bevel overshoe to meet the most-frequent planer beveling application.

**If you have any questions,
please contact Jim Stevens**

Jim.Stevens@us.bosch.com

 +224-232-2748



BOSCH