



MIRAGE-X

Specification Features

- FRAMELESS SLIDING TUB DOOR. HEADERLESS DESIGN
- CONFIGURATION: SLIDING DOOR AND FIXED PANEL
- RIGHT WALL INSTALLATION (FIXED PANEL ON RIGHT, DOOR ON LEFT)
- WIDTH ADJUSTMENT: UP TO 4 IN.
- OUT-OF-PLUMB ADJUSTMENT: 3/8 IN. ON FIXED PANEL SIDE
- 3/8 IN. (10 MM) THICK CERTIFIED CLEAR TEMPERED GLASS

Technical Information

- Model: Mirage-X
- Door Type: Sliding Tub Door
- Dimensions: 56 - 60" W x 58" H
- Access Width Max: 26"
- Access Width Min: 22"
- Threshold Width Min: 1 3/8"
- Glass Thickness: 3/8" [10 mm]
- Glass Type: Clear
- Glass Coating: ClearMax

Codes/Standards Applicable

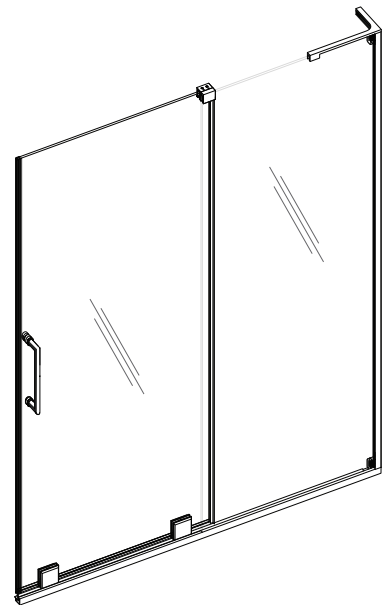
- ANSI Z97.1 (Tempered Glass)
- 16 CFR Part 1201

Hardware Finish Options:

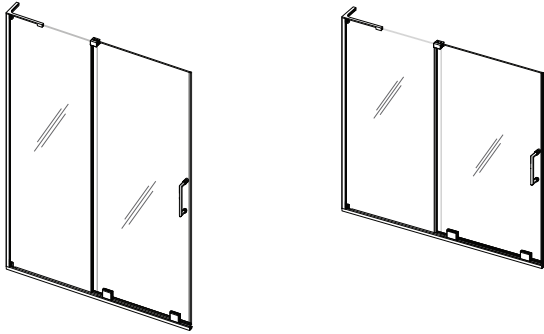
- 05 - Brushed Gold

Model SKU#s:

SHDR1960580R-05



Available Product Configurations:



Shower Door Model SKU#s:

Left Wall Installation
SHDR1948723GL01
SHDR1948723GL04
Right Wall Installation
SHDR1948723GR01
SHDR1948723GR04

Tub Door Model SKU#s:

Left Wall Installation
SHDR1960580GL01
SHDR1960580GL04
Right Wall Installation
SHDR1960580GR01
SHDR1960580GR04

Important Notes:

If this unit is going to be installed in a new construction, please, install all of the required plumbing and drainage before installing the shower. Use a competent and licensed plumber for all plumbing installation period.

Minimum threshold depth of 1 3/8 in. is required for proper installation.

Width adjustment: Up to 4 in.; Out-of-plumb adjustment: 3/8 in. on Fixed Panel side.

Professional installation recommended.

Important Disclaimers:

- Prior to installation, please ensure that the installation surface is finished, level and solid and will be able to support the total weight of the unit. Also, make sure that the walls are plumb. Irregular installation, surface level or out of square conditions can result in serious problems for your installation.
- Please read Installation Manual thoroughly prior to installing this product.
- Please note that you should consult your local building codes with questions on installation compliance standards. Building and plumbing codes may vary by location, and DreamLine® is not responsible for code compliance standards for your project and will not accept any returns.

For commercial customers, we strongly recommend the use of Dreamline's Onsite Contractor Support option.

Dreamline's commercial warranty does not apply to damage or losses resulting from (i) other than normal and proper use and normal service conditions; (ii) improper installation, (iii) installation in or upon an unsuitable surface or areas; (iv) abuse, (v) accident, (vi) alteration, (vii) misuse, (viii) neglect, (ix) unauthorized repair or the failure to utilize suitably qualified and trained persons to perform service and/or repair of the Product, (x) improper maintenance, (xi) failure to follow installation, operating, cleaning or maintenance instructions, and (xii) use of "non-authorized" parts.