



Black Acrylic Base Kit Shown

AQUA FOLD

Specification Features

- AQUA FOLD SHOWER DOOR AND SLIMLINE SHOWER BASE
- FRAMELESS GLASS DESIGN WITH A EUROPEAN STYLE
- SELF-CENTERING PIVOT ROTATES INTO AND OUT OF THE SHOWER
- DOOR ALLOWS FOR A WIDE ENTRY
- 1/4" (6MM) THICK CLEAR TEMPERED GLASS
- UP TO 3/8 IN. ADJUSTMENT FOR OUT-OF-PLUMB WALLS
- SOLID BRASS GLASS-TO-GLASS HINGES
- REVERSIBLE FOR RIGHT OR LEFT DOOR INSTALLATION

Technical Information

- Model: Aqua Fold
- Door Type: Bi-Fold Shower Door
- Dimensions: 36" D x 36" W x 74 3/4" H
- Product Width: 36"
- Product Depth: 36"
- Access Width: 33"
- Glass Thickness: 1/4" [6 mm]
- Glass Type: Clear

Codes/Standards Applicable

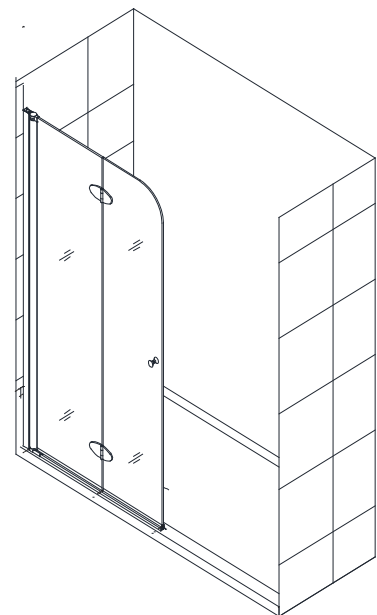
- ANSI Z97.1 (Tempered Glass)
- 16 CFR Part 1201

Hardware Finish Options:

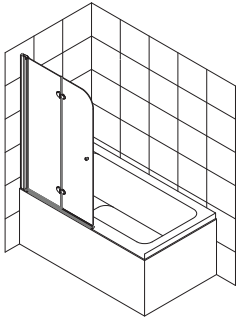
-  01 - Chrome Finish

Model SKU#:

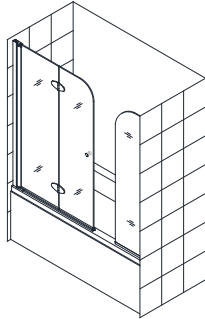
- DL-6528C-01 White Acrylic Base Kit
- DL-6528C-22-01 Biscuit Acrylic Base Kit
- DL-6528C-88-01 Black Acrylic Base Kit



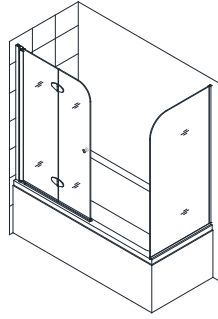
Available Product Configurations:



Tub Door



Tub Door
with Extender Panel



Tub Door
with Return Panel

Model SKU#:
SHDR-3636580-01

Model SKU#:
SHDR-3636580-EX-01

Model SKU#:
SHDR-3636580-RT-01

Important Notes:

If this unit is going to be installed in a new construction, please, install all of the required plumbing and drainage before installing the shower. Use a competent and licensed plumber for all plumbing installation period.

Install this product according to the installation manual. Professional installation is recommended.

This model has 3/8" of adjustment for out-of-plumb wall conditions within the wall profile.

DO NOT attach the handle to the door glass until instructed in the installation manual. DO NOT use the handle to lift the glass during installation. This may result in damage to the glass and/or serious injury.

To avoid damage to the glass, always use caution when folding the door. Make sure the metal handle does not contact the Door Glass.

Important Disclaimers:

- Prior to installation, please ensure that the installation surface is finished, level and solid and will be able to support the total weight of the unit. Also, make sure that the walls are plumb. Irregular installation, surface level or out of square conditions can result in serious problems for your installation.
- Please read Installation Manual thoroughly prior to installing this product.
- Please note that you should consult your local building codes with questions on installation compliance standards. Building and plumbing codes may vary by location, and DreamLine® is not responsible for code compliance standards for your project and will not accept any returns.

For commercial customers, we strongly recommend the use of Dreamline's Onsite Contractor Support option.

Dreamline's commercial warranty does not apply to damage or losses resulting from (i) other than normal and proper use and normal service conditions; (ii) improper installation, (iii) installation in or upon an unsuitable surface or areas; (iv) abuse, (v) accident, (vi) alteration, (vii) misuse, (viii) neglect, (ix) unauthorized repair or the failure to utilize suitably qualified and trained persons to perform service and/or repair of the Product, (x) improper maintenance, (xi) failure to follow installation, operating, cleaning or maintenance instructions, and (xii) use of "non-authorized" parts.