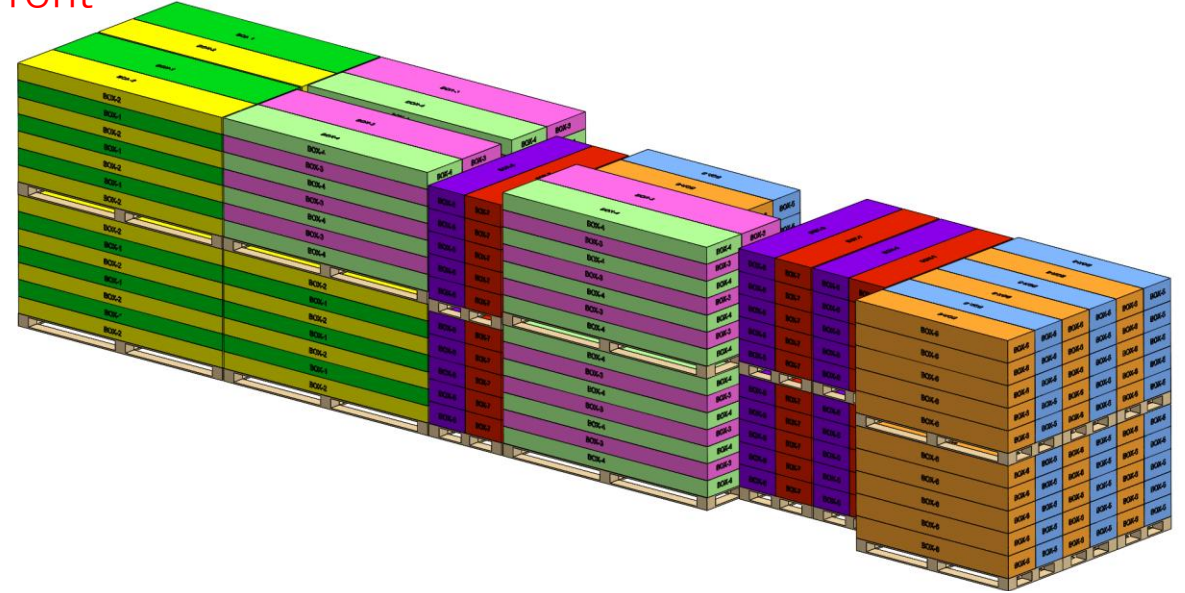


2600003 14x12 Ridgeline Louvered Pergola container loading diagram

- Carton #1: 5 pallets, total 35 boxes
- Carton #2: 5 pallets, total 35 boxes
- Carton #3: 5 pallets, total 35 boxes
- Carton #4: 5 pallets, total 35 boxes
- Carton #5: 7 pallets, total 35 boxes
- Carton #6: 7 pallets, total 35 boxes
- Carton #7: 7 pallets, total 35 boxes
- Carton #8: 7 pallets, total 35 boxes

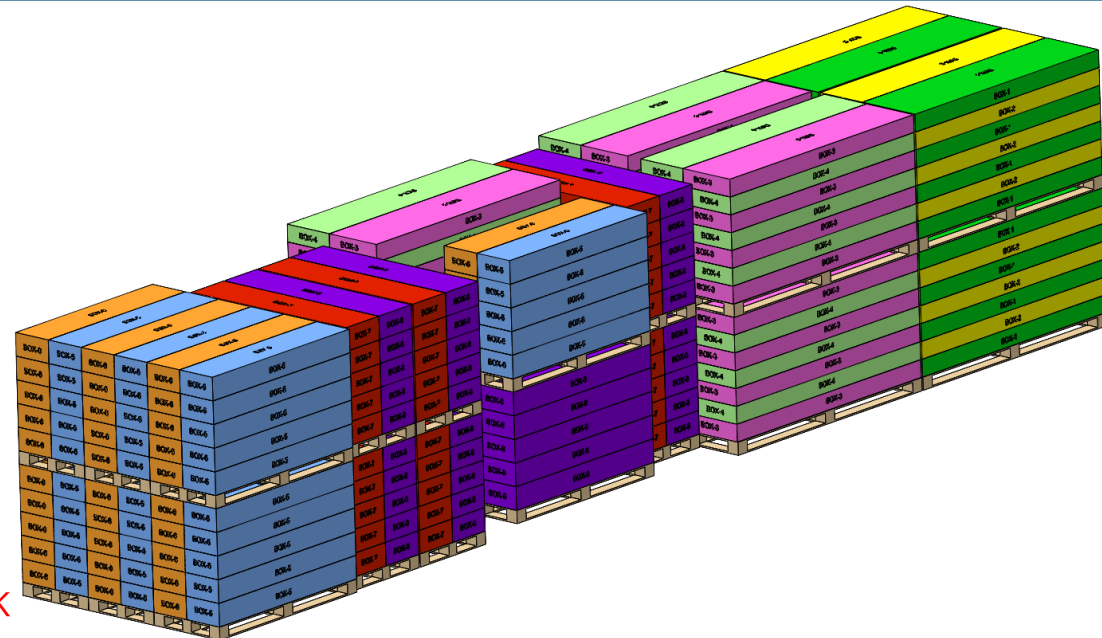
Gross weight : 18000 Kg

Front



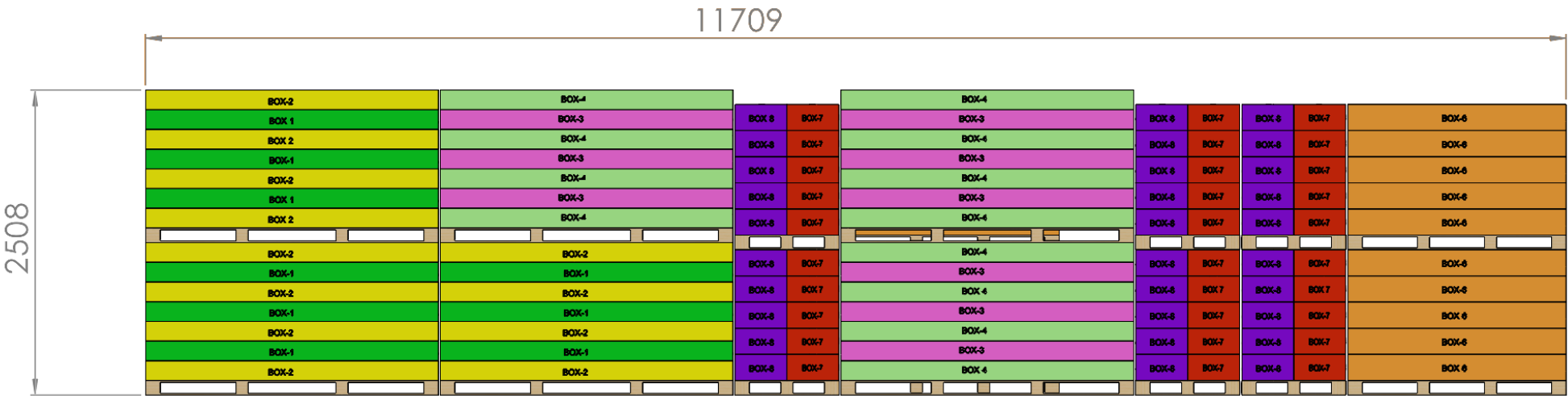
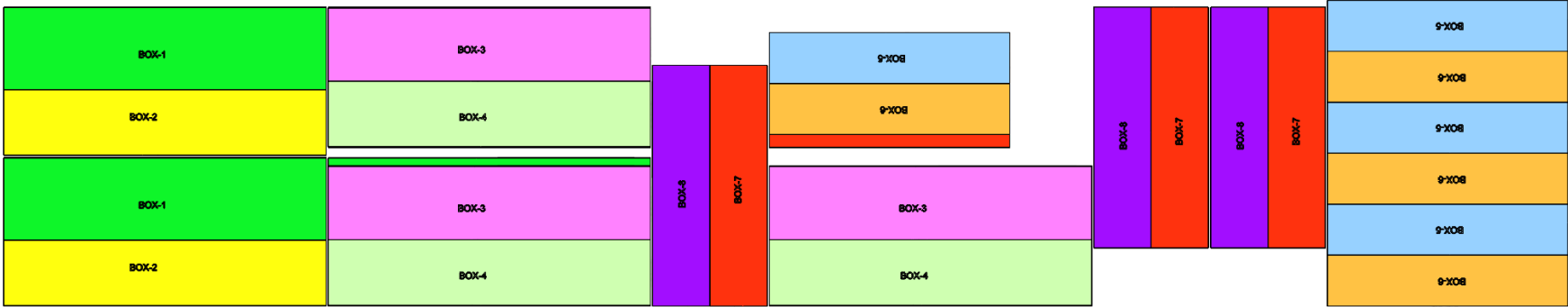
Back

Front



Back

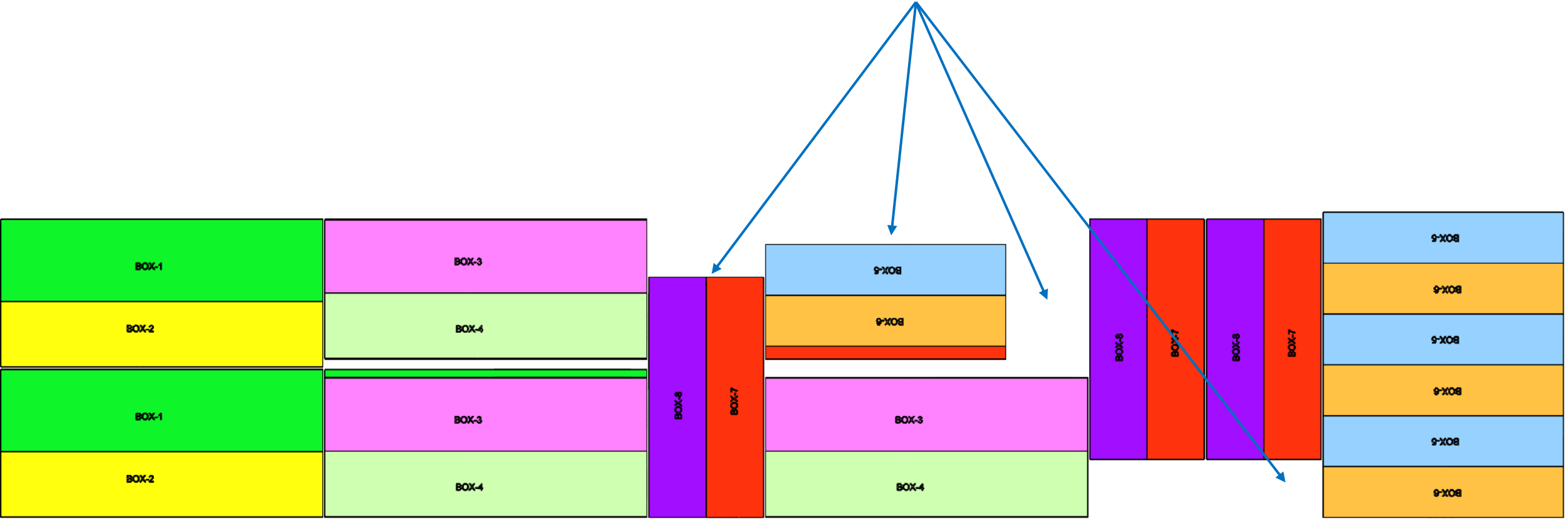
2600003 Dimension Details



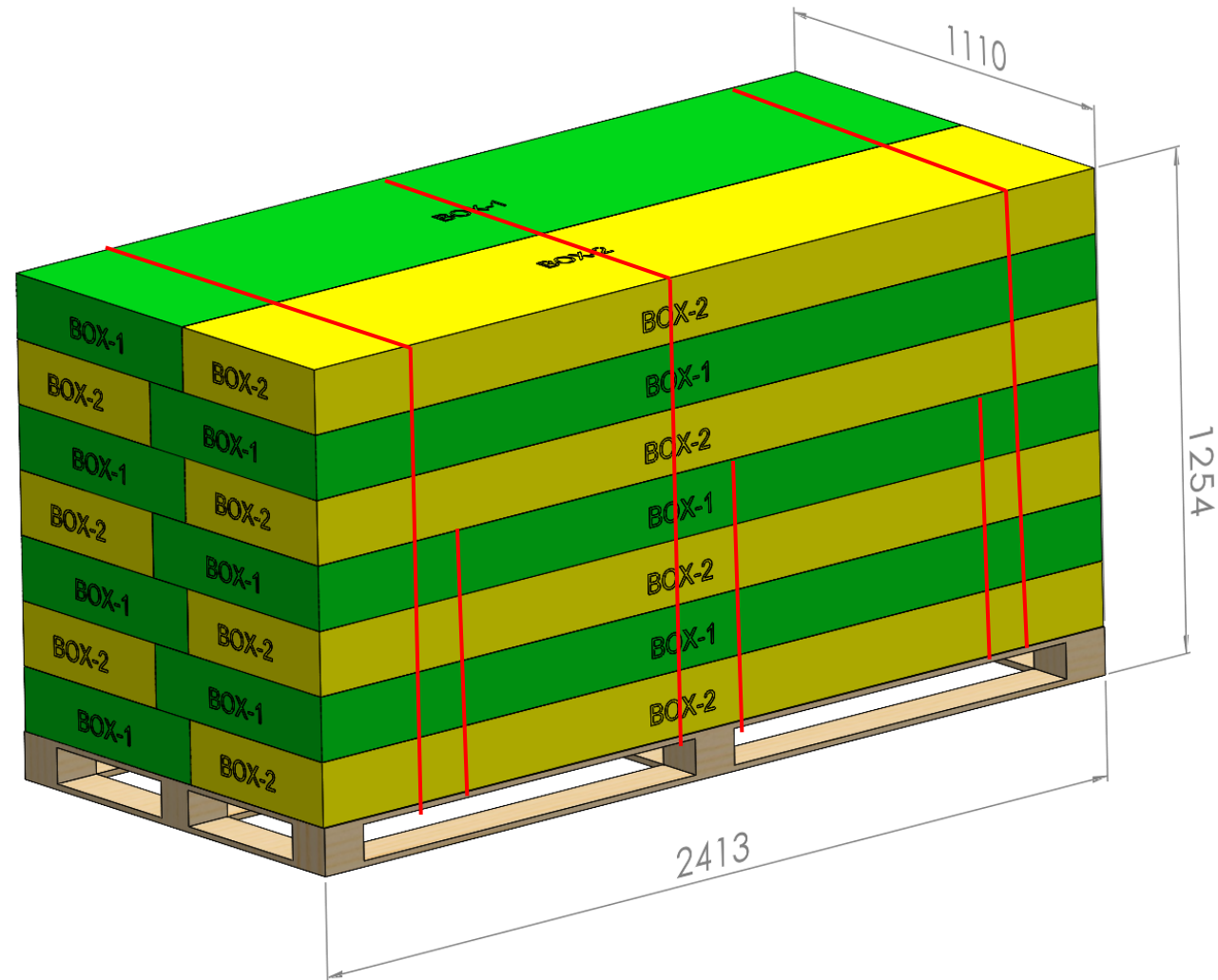
2600003 Filling Details

Air bag supports shall be added to all positions where the cargo shifts.

Air cushion bag Position



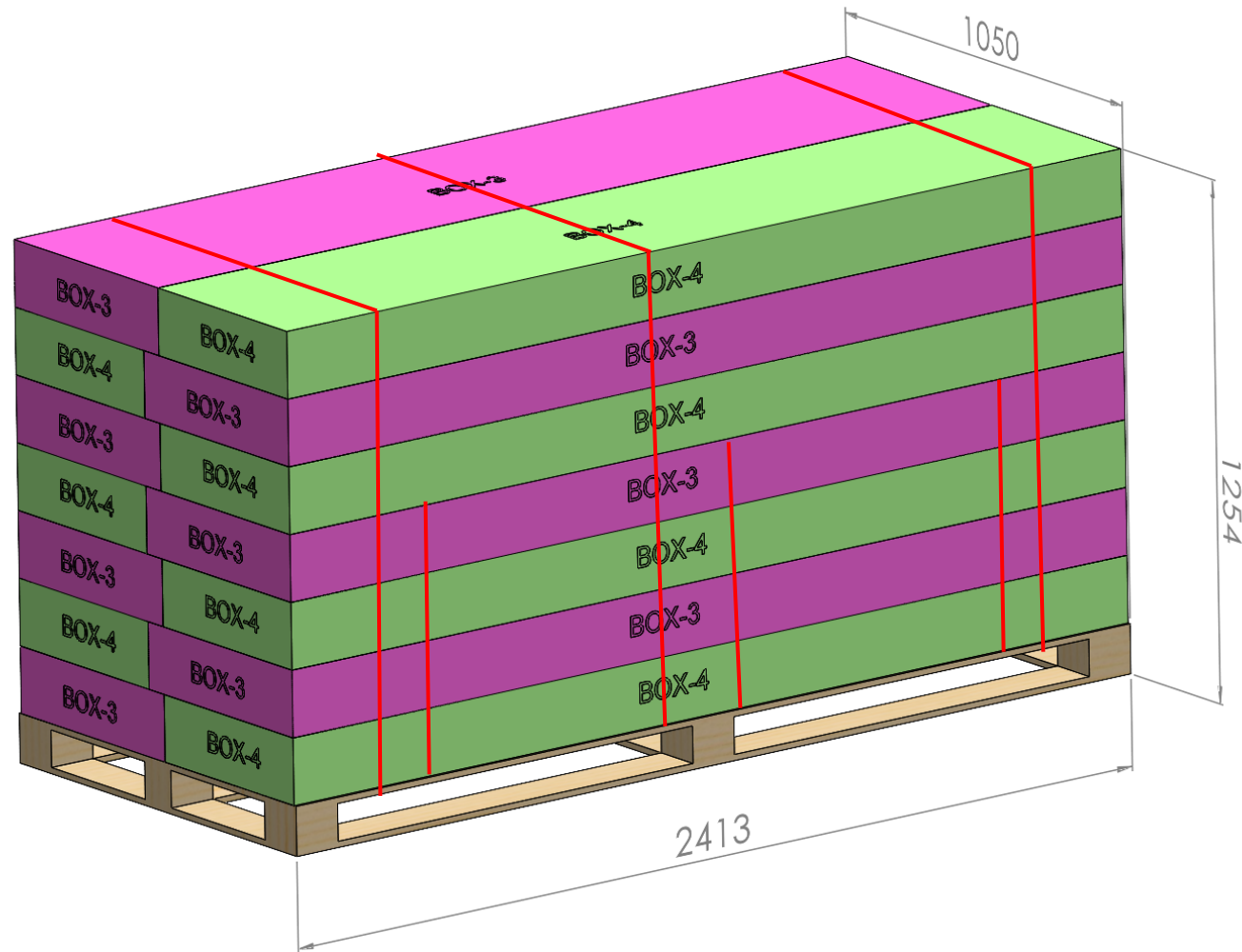
2600003 Box 1 and Box 2 Pallet Details



Red marks indicate strapping positions.

14 Boxes per pallet (Box 1 and Box 2 each contain 7 pcs)
5 Pallets

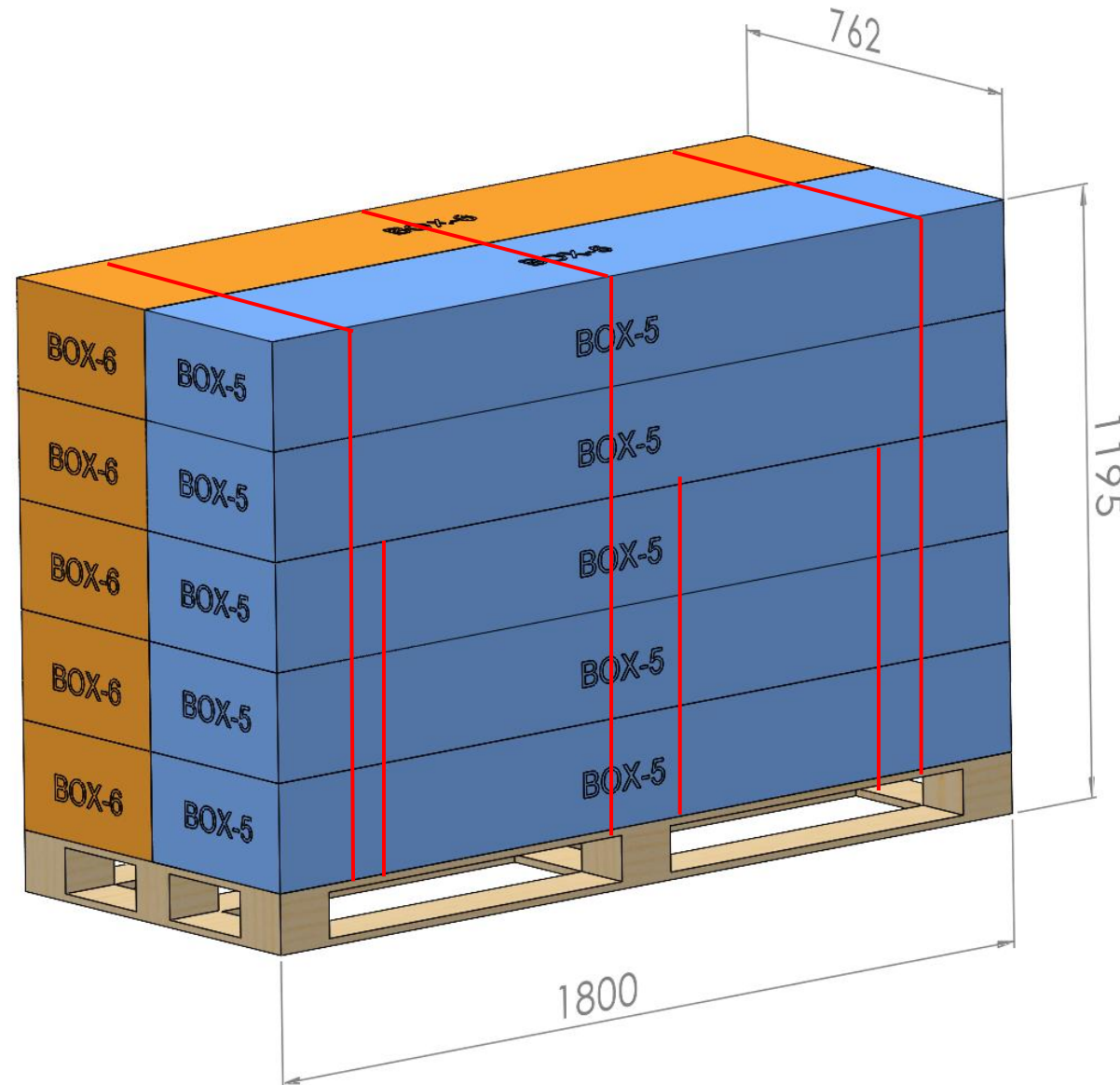
2600003 Box 3 and Box 4 Pallet Details



Red marks indicate strapping positions.

14 Boxes per pallet (Box 3 and Box 4 each contain 7 pcs)
5 Pallets

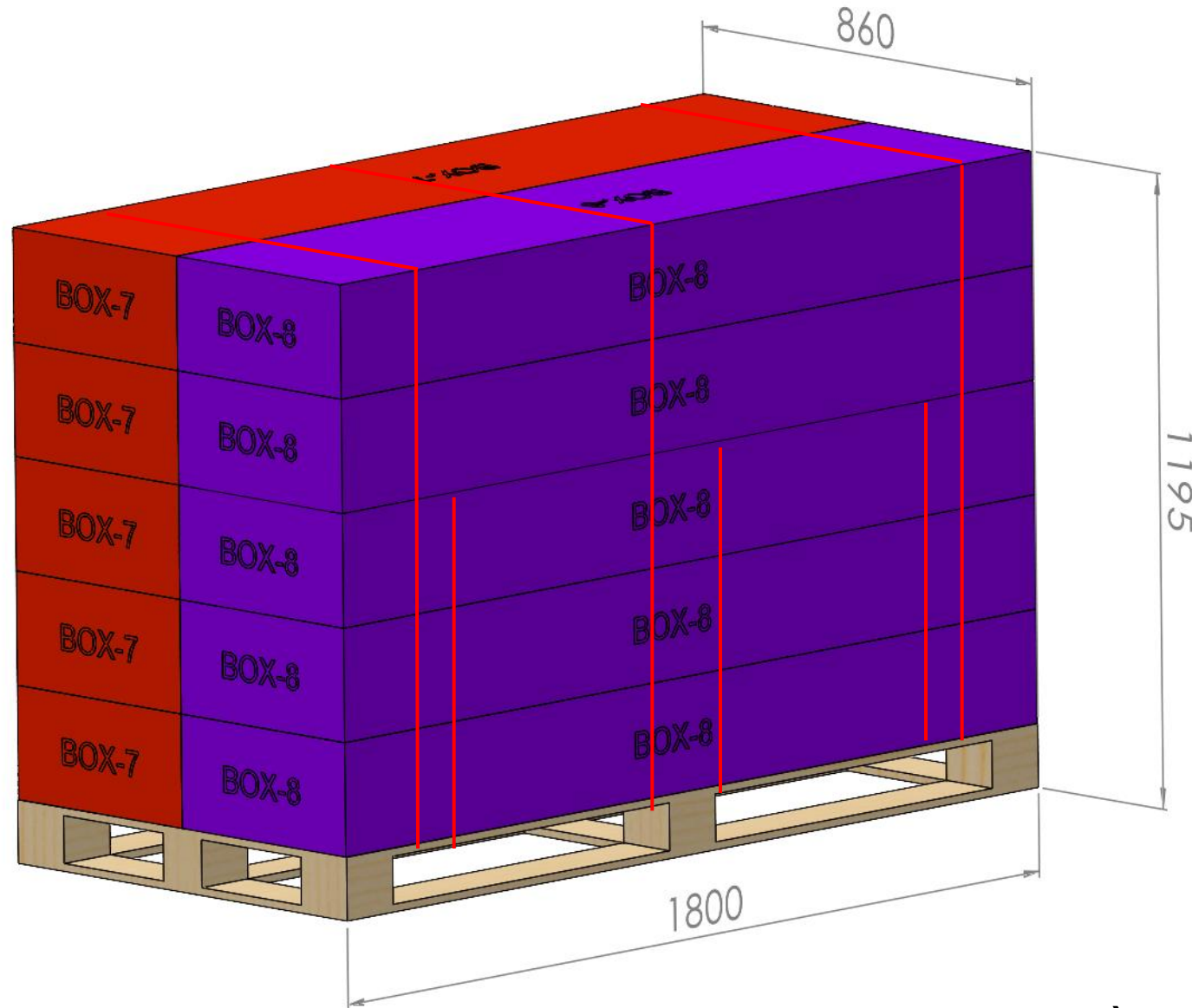
2600003 Box 5 and Box 6 Pallet Details



Red marks indicate strapping positions.

10 Boxes per pallet (Box 5 and Box 6 each contain 5 pcs)
7 Pallets

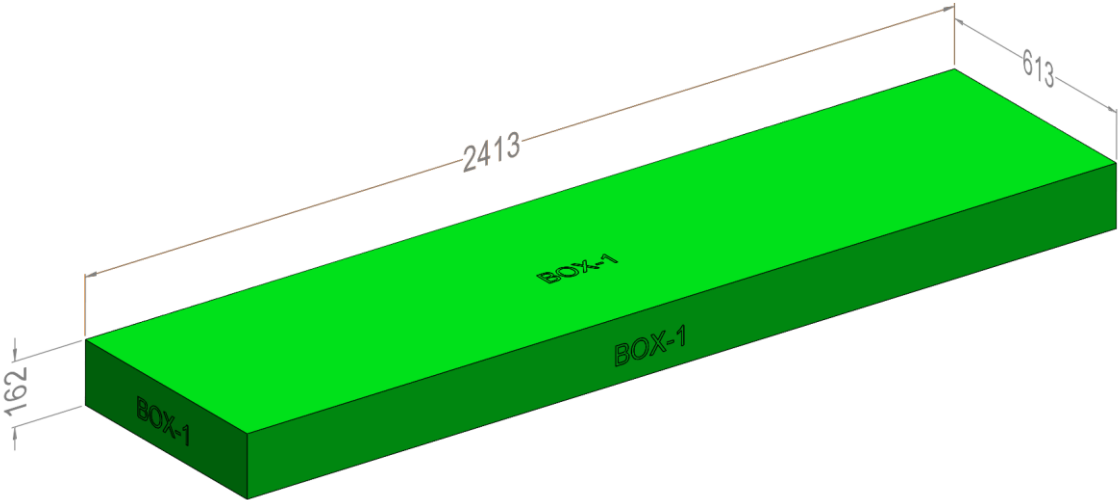
2600003 Box 7 and Box 8 Pallet Details



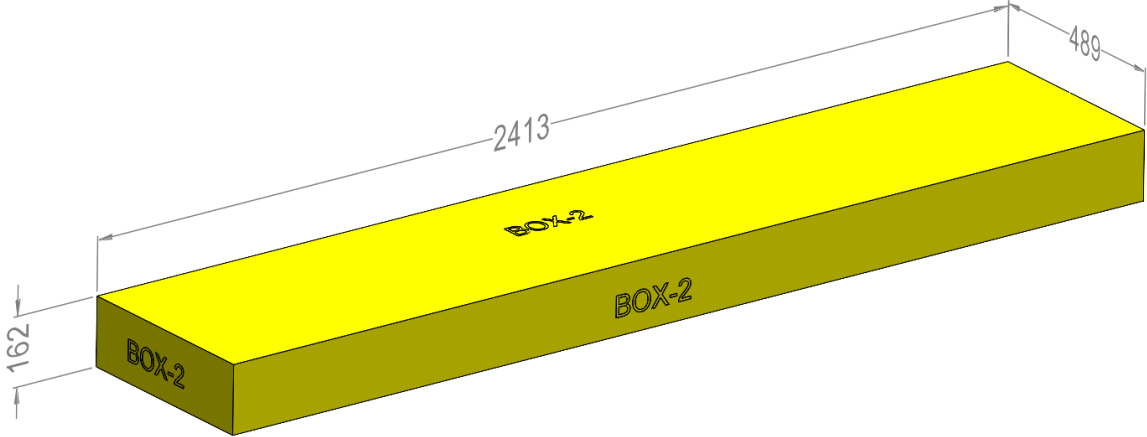
Red marks indicate strapping positions.

10 Boxes per pallet (Box 7 and Box 8 each contain 5 pcs)
7 Pallets

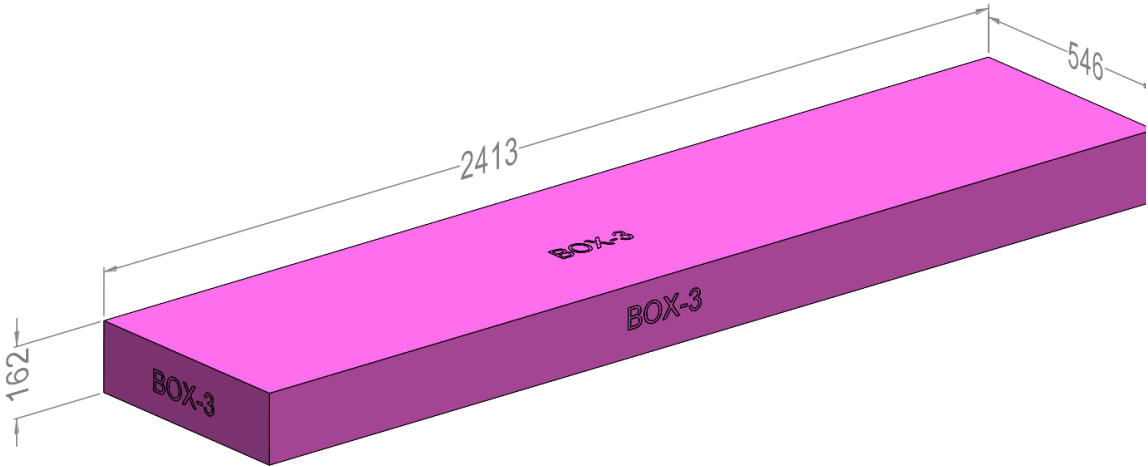
Box Details



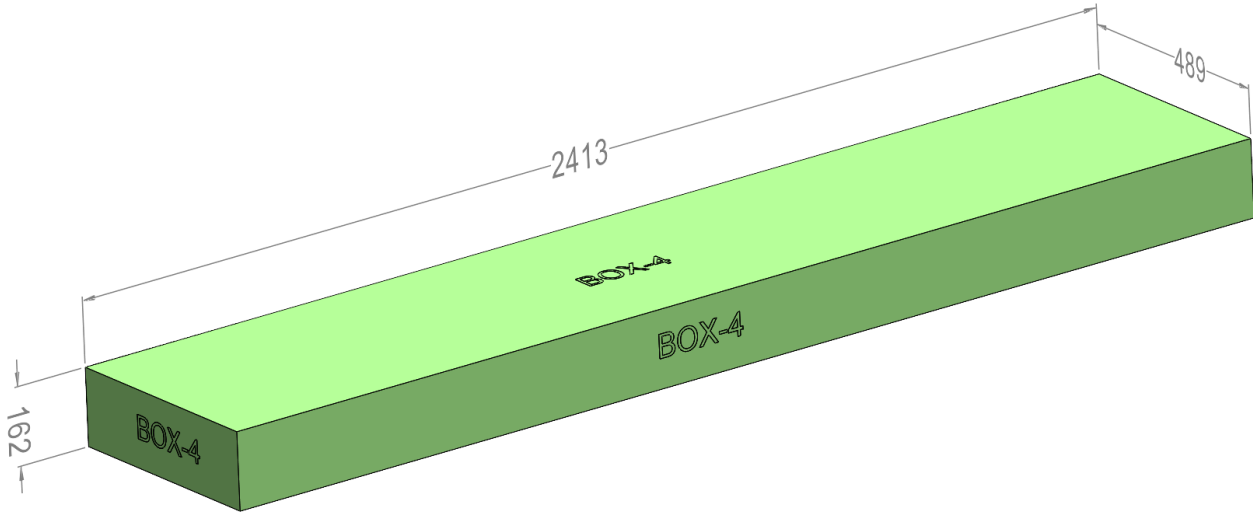
Box 1 75.6 Kg



Box 2 85.6 Kg

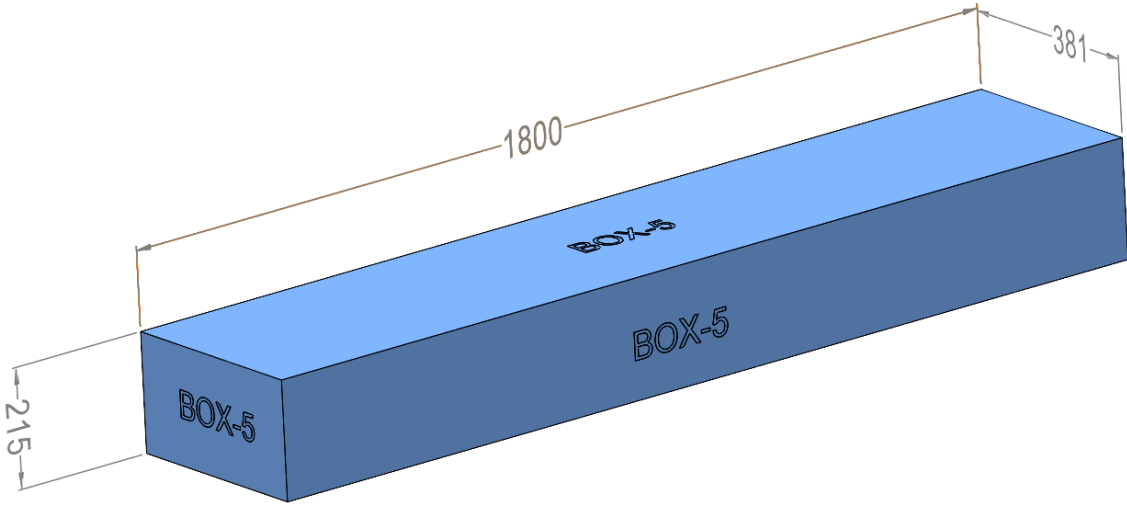


Box 3 76.2 Kg

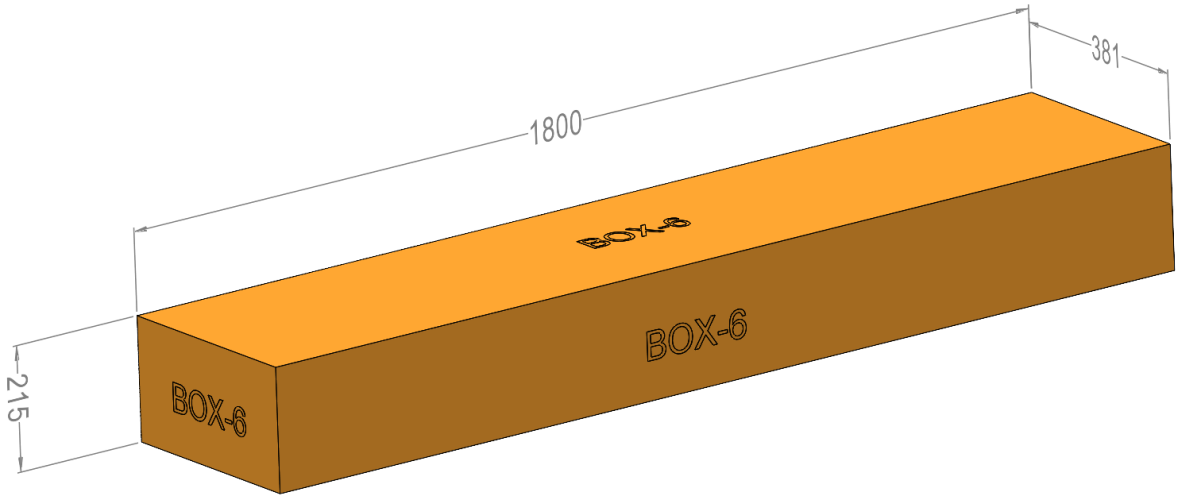


Box 4 85.8 Kg

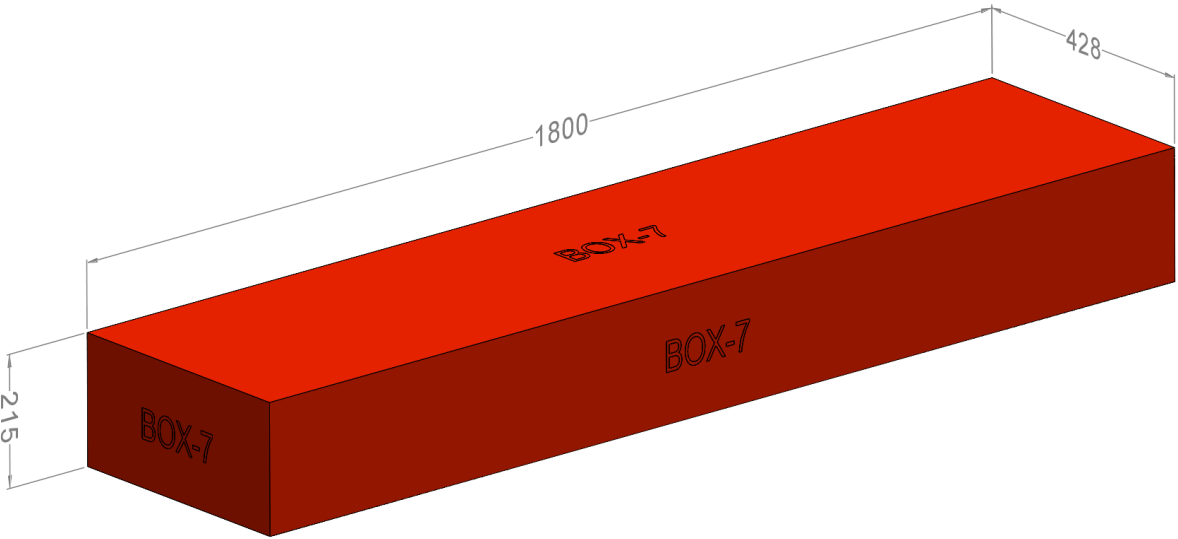
Box Details



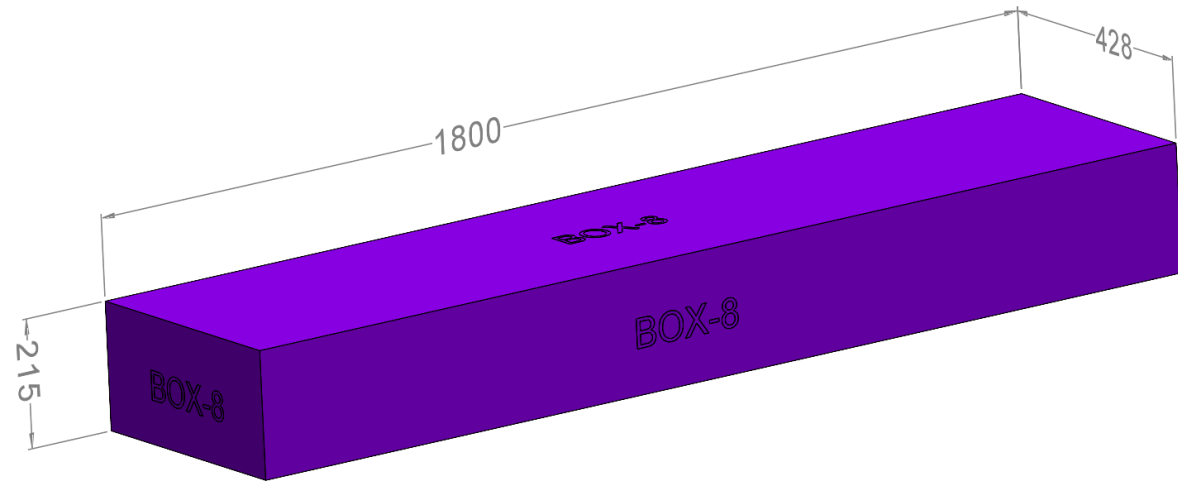
Box 5 44.4 Kg



Box 6 44.4 Kg



Box 7 51.2 Kg



Box 8 51.2 Kg