

# HOMEDICS®

LEADERS IN HEALTH & WELLBEING

✓ Register your product today at  
[www.homedics.co.uk/product-registration](http://www.homedics.co.uk/product-registration)



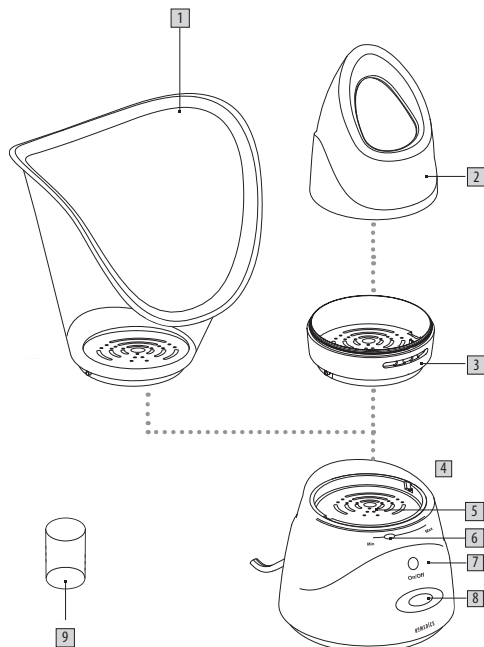
## REVITALISING FACIAL SPA

instruction manual

FAC-2BLD-GB

3 YEAR GUARANTEE

## PRODUCT FEATURES:



1. Face steamer
2. Nose steamer top
3. Nose steamer base
4. Base unit
5. Water tank
6. Steam adjuster switch
7. Power indicator light
8. Power Button
9. Measuring beaker

### 4. Treatment

Wait a minute for steam to start building then place your nose/face over the opening and inhale gently.

When using the face steamer, you can adjust the amount of steam by moving the steam indicator switch on the front of the unit between the min and max positions.

If the steam feels too intense, move away from the unit. For more intensity, move closer.

Every few minutes slightly vary the position of your face to provide a more even sauna, remaining in a static position near the steamer for too long can cause some discomfort and potential scalding.

When the water runs out, the steam will stop and the heater will cut out automatically for safety.

### 5. After Use

Press the power button to switch off. The red power indicator light will go off.

Unplug the base unit and allow to cool completely before emptying any excess water and removing the attachments.

The attachments should be washed by hand in warm soapy water and dried thoroughly.

The base unit must only be wiped clean with a slightly damp cloth.

**WARNING:** Never immerse the base unit in water.

## USING YOUR STEAMER

### 1. Fill the Water Tank

Fill the provided measuring cup to the indicator level. Pour the water into the water chamber.

**NOTE:** There are 3 level indicators - 5 min, 10 min and 15 min/MAX. For shorter usage time, choose one of the lower level indicators. For longer usage, choose the 15 min/MAX indicator. DO NOT fill cup over the highest level fill line.

**WARNING:** Never fill above the MAX line in the water tank.

### 2. Attach the Face or Nose Steamer

#### Nose Steamer

Place the nose steamer base onto the base unit, line up notches and turn anti-clockwise to lock into place.

Push the nose steamer lid firmly into place over the nose steamer base with the opening facing forwards towards the power button.

#### Face Steamer

Place the face steamer onto the base unit, line up notches and turn anti-clockwise to lock into place. Ensure the lower edge of the face steamer is facing forwards towards the power button.

### 3. Switch on

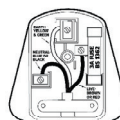
Press the power button to switch on. The red power indicator light will illuminate.

## CAUTIONS

- Do not operate the product without the face steamer or the nose steamer.
- Do not touch the water in the water tank during operation because the water is boiling.
- The closer your face or nose are away from the steamer respectively, the more intensive the steam. If the steam is too intensive please move back a little.
- The product will automatically switches off for safety when the water in the water tank has evaporated. To continue to use the product, you need to disconnect the power plug from the socket outlet.
- Do not move the product while it is in operation or cooling down.
- After use, the product should be cleaned.

### Storage

Place the Revitalising Facial Sauna in a clean, dry location, out of the reach of children. Do not wrap the power cord around the unit as this may cause damage. Do not hang the unit by its power cord. Loosely coil the cord and secure with a twist tie.



**PLUG:** If the plug on this appliance is damaged, it can be replaced with a BS 1363 plug, fitted with a 3A BS 1362 fuse. The recommended fuse for this appliance is 3 amp. Care must be taken when changing the plug. If in doubt, contact a qualified electrician.

## FKA Brands Ltd

Somerhill Business Park, Tonbridge, Kent TN11 0GP, UK

Customer Support: +44(0) 1732 378557 | support@homedics.co.uk



IB-FAC2BLDGB-0320-01