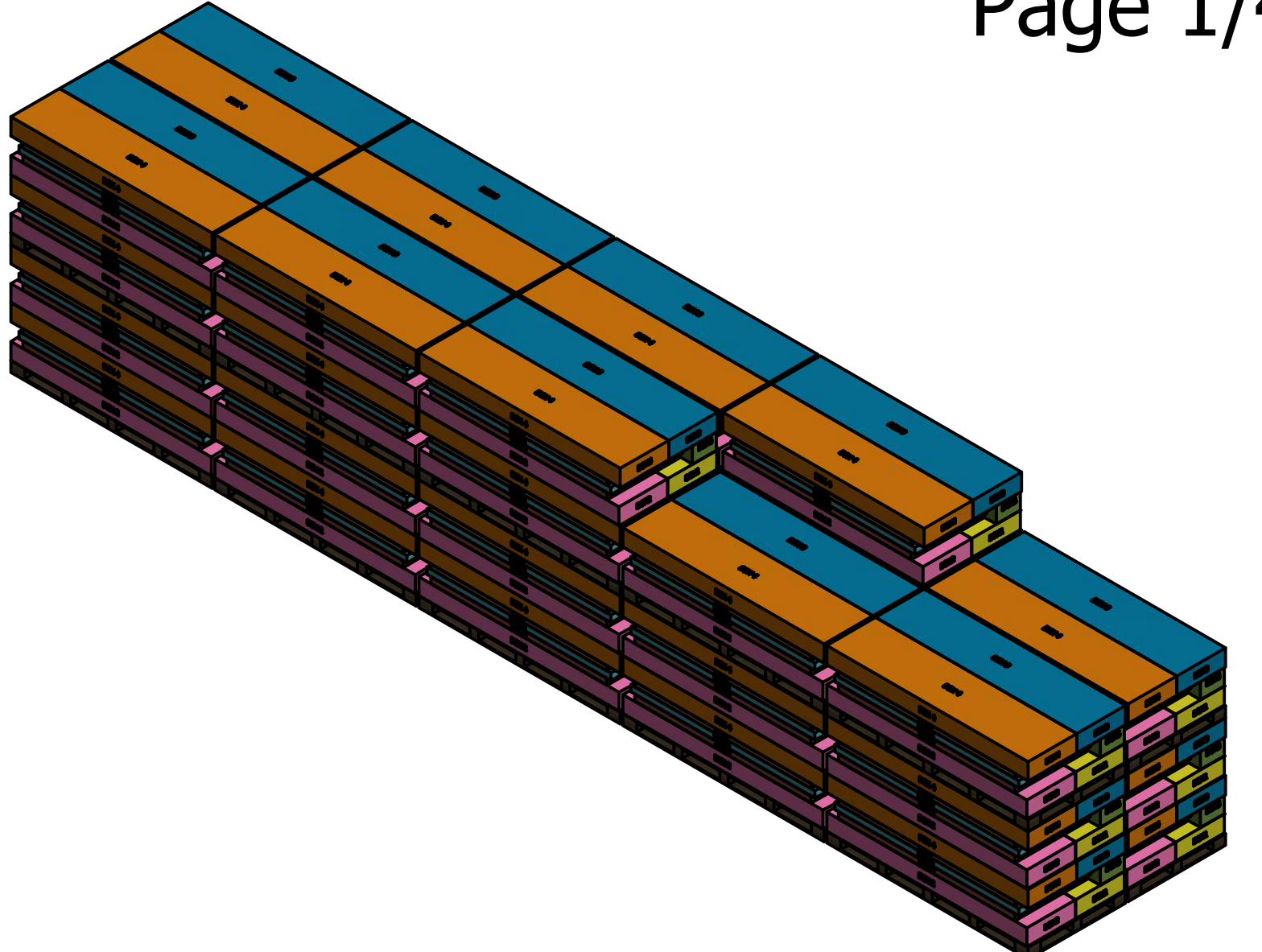
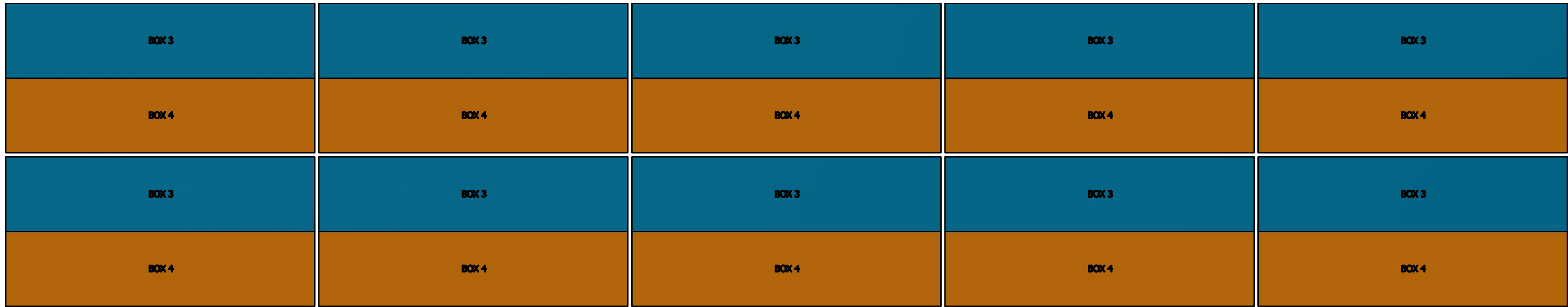


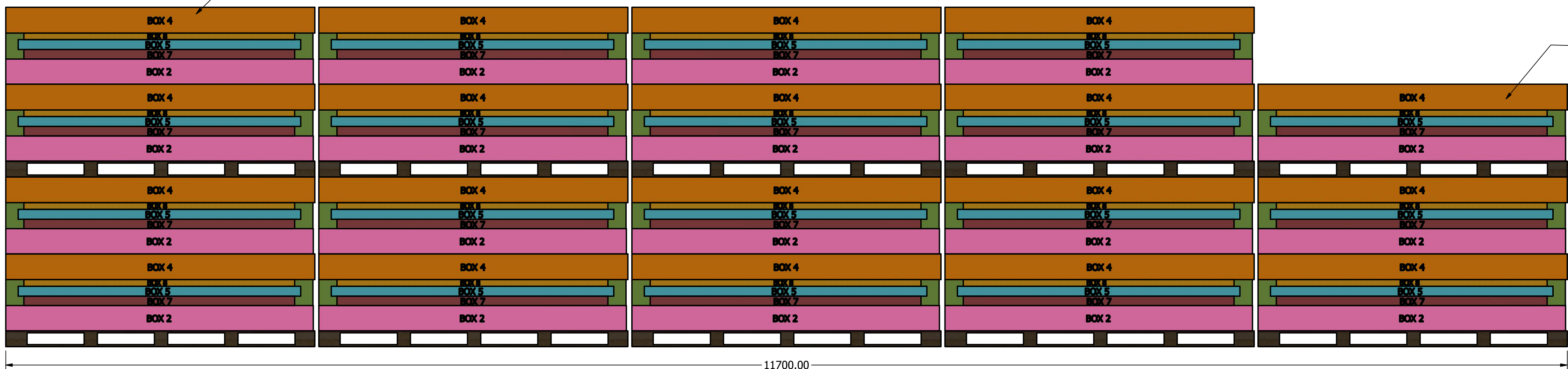
2306172B 20x12 BARRINGTON GAZEBO Container Loading Diagram

(1 set=8 boxes 37 sets/40HQ, 20 pallets/ 40HQ, Weight: 20055Kg)

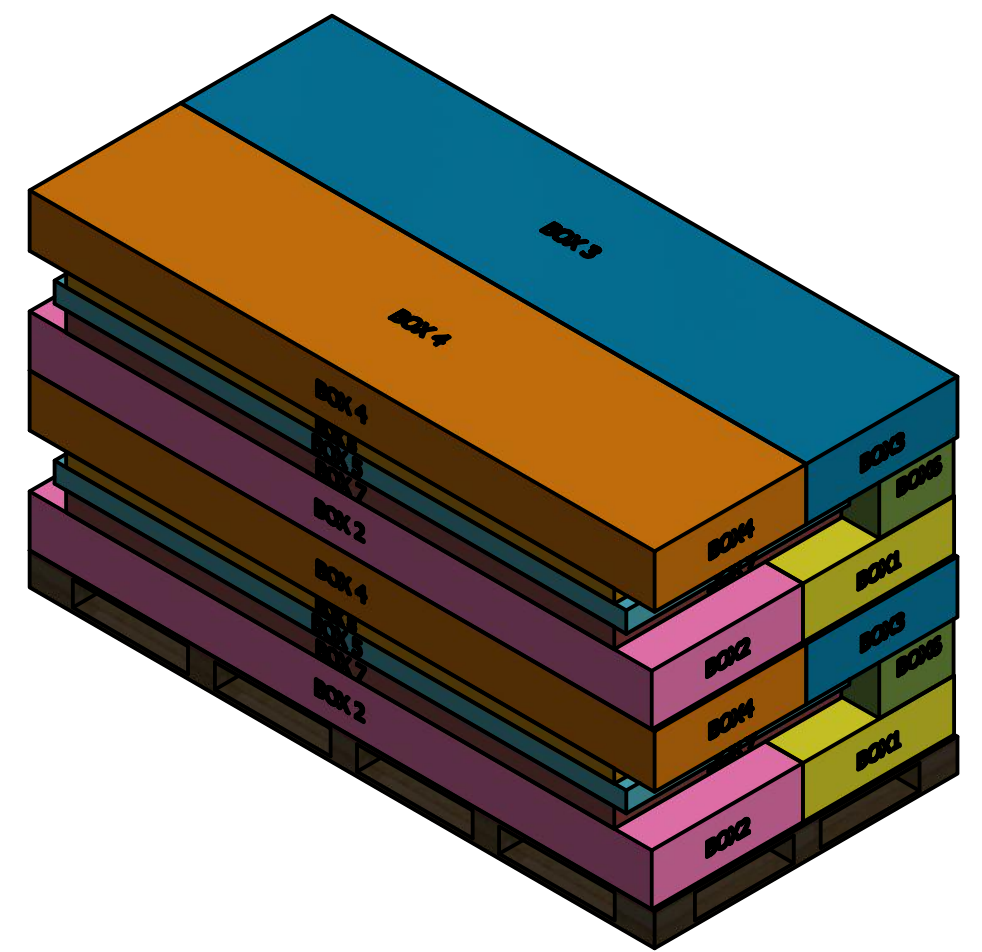
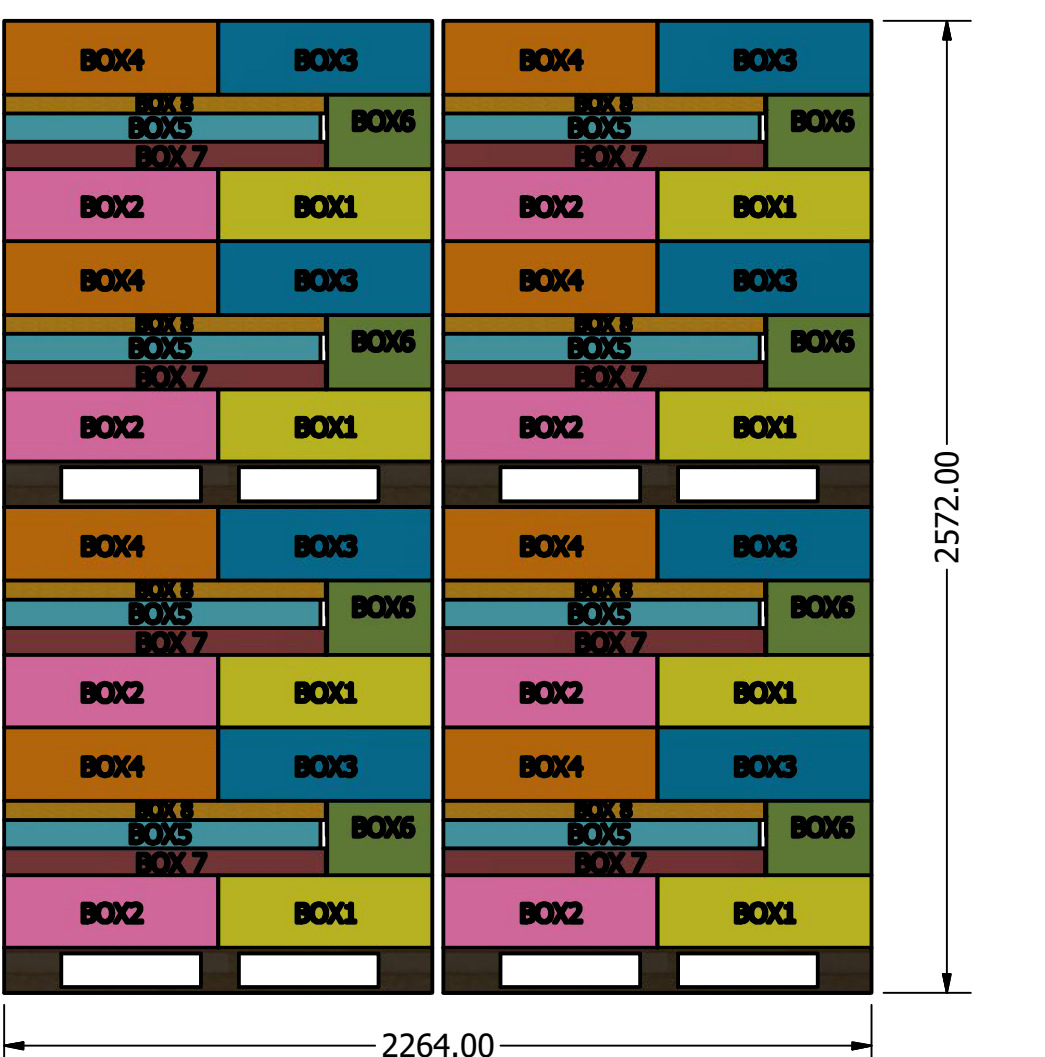
Top view



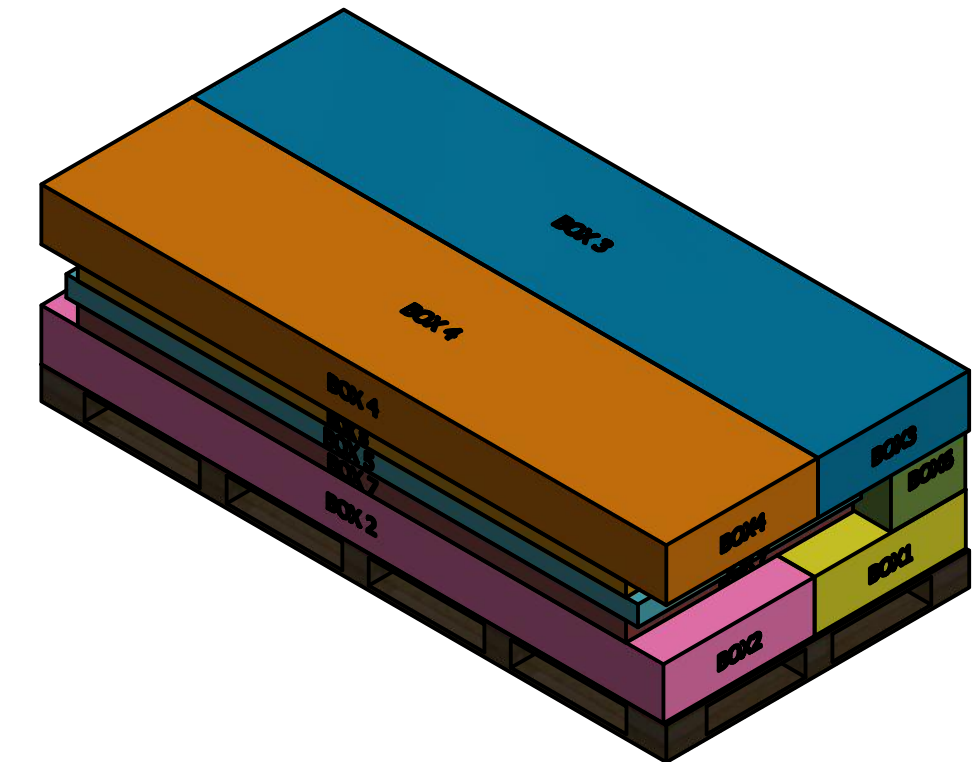
Side view



End view



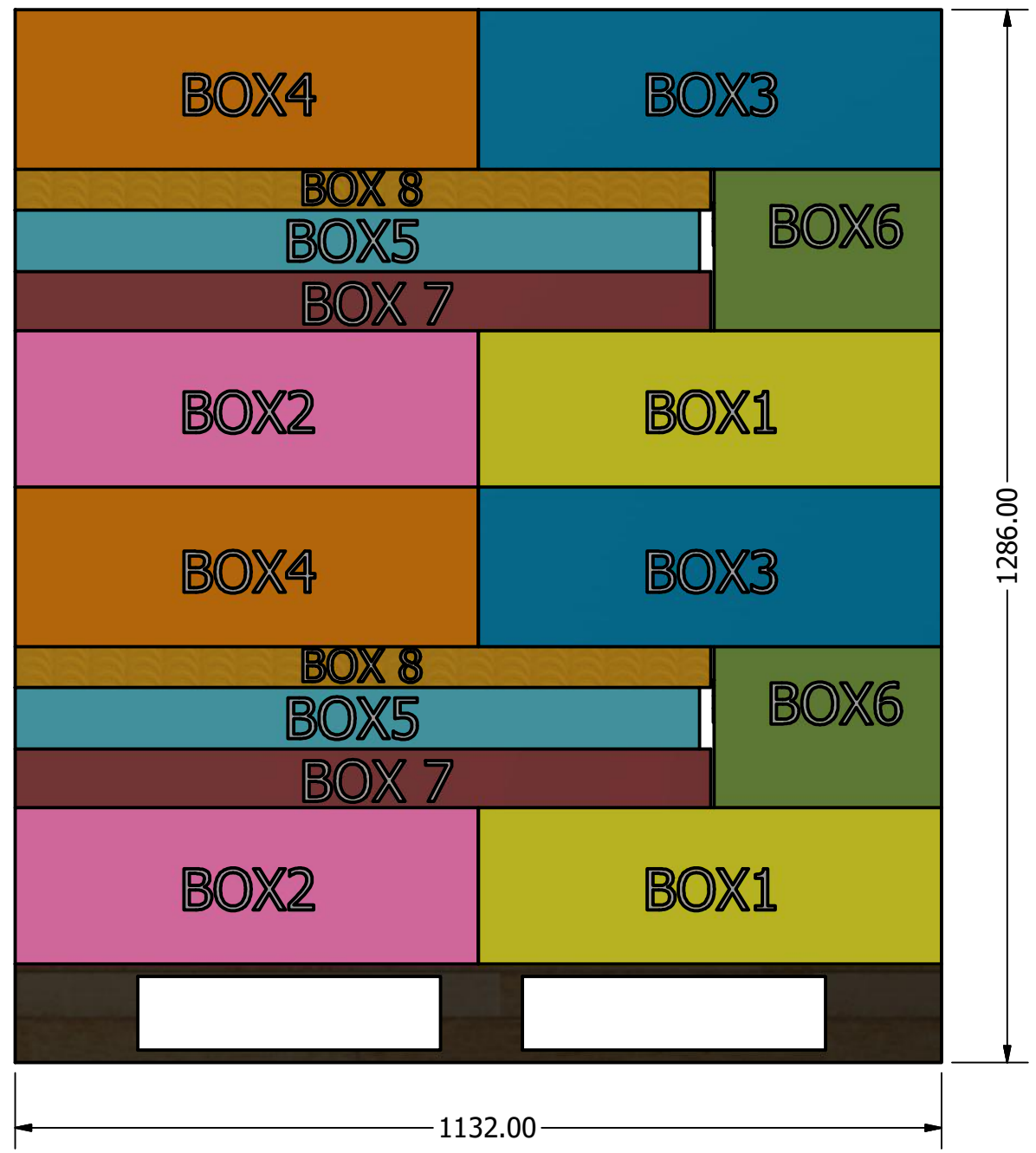
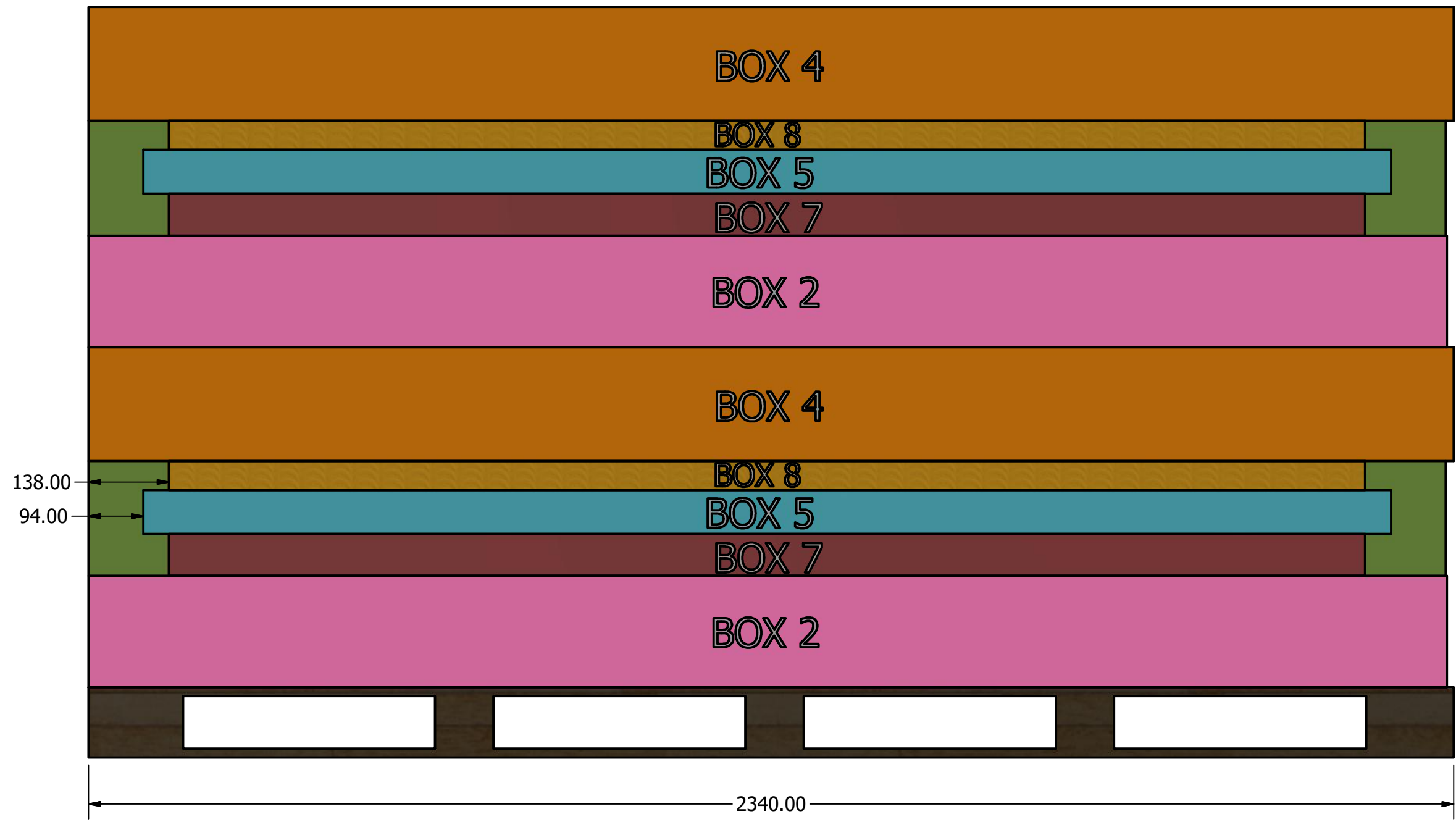
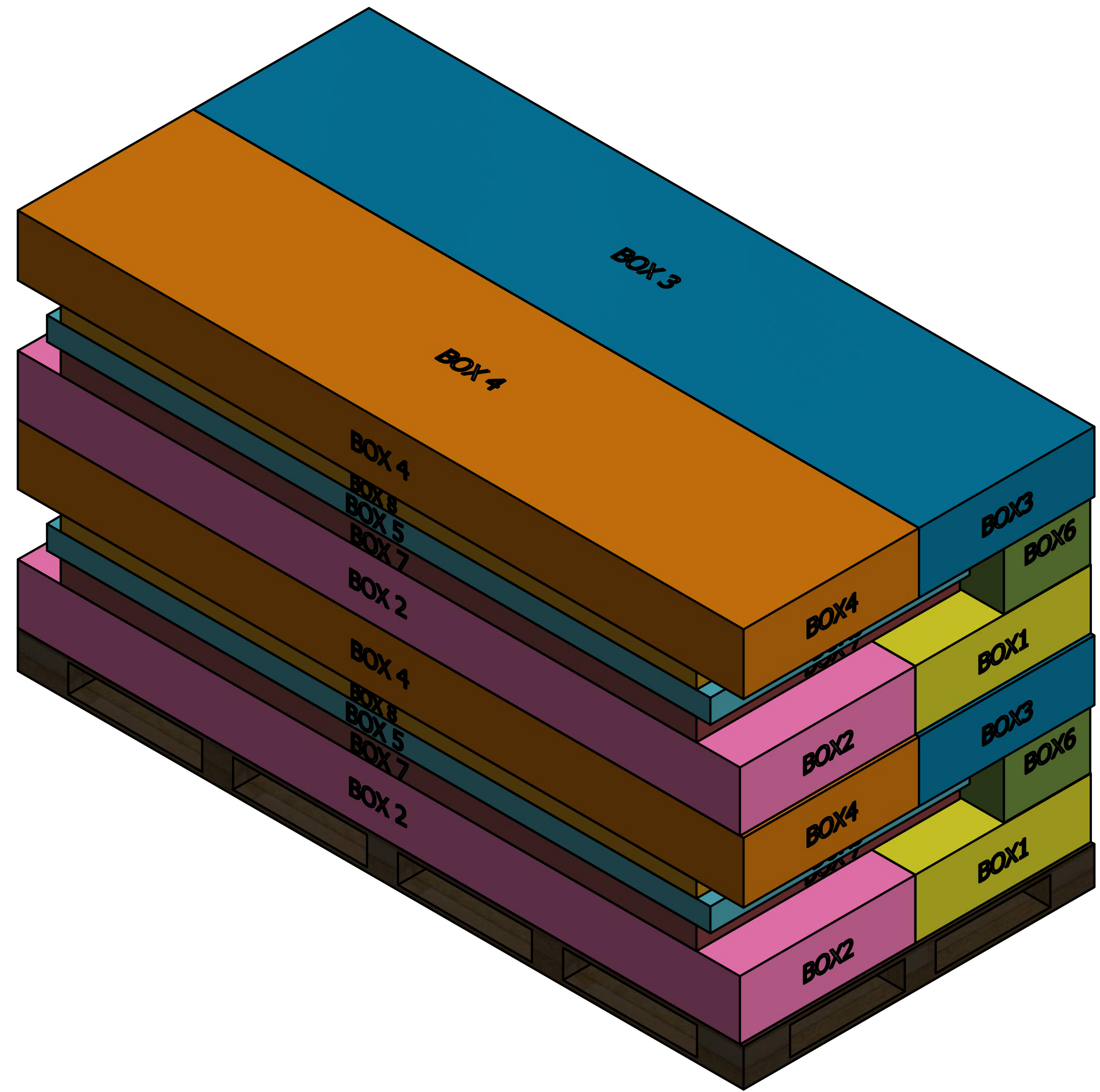
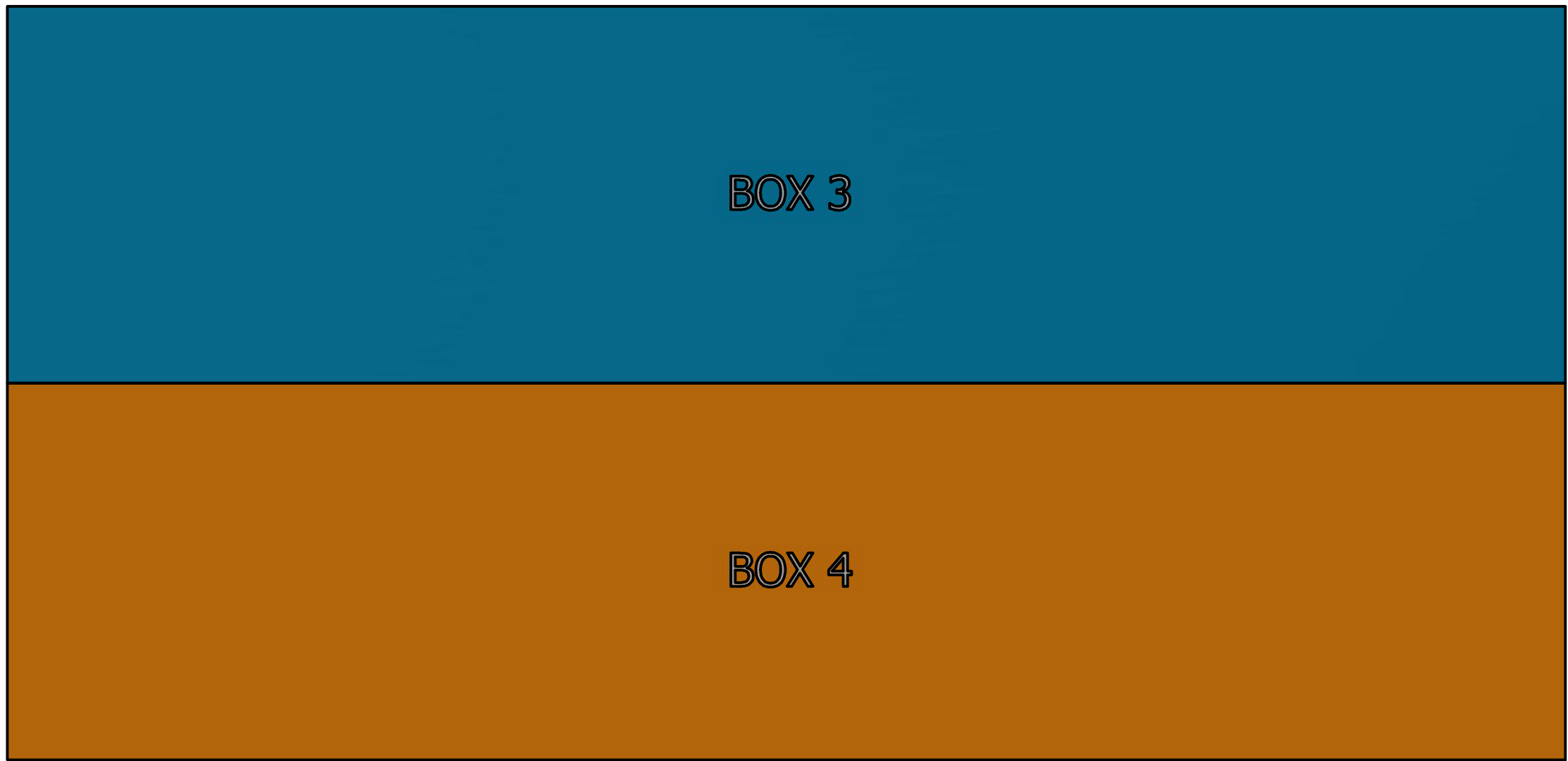
Pallet A
(2 sets/ Pallets)



Pallet B
(1 sets/ Pallets)

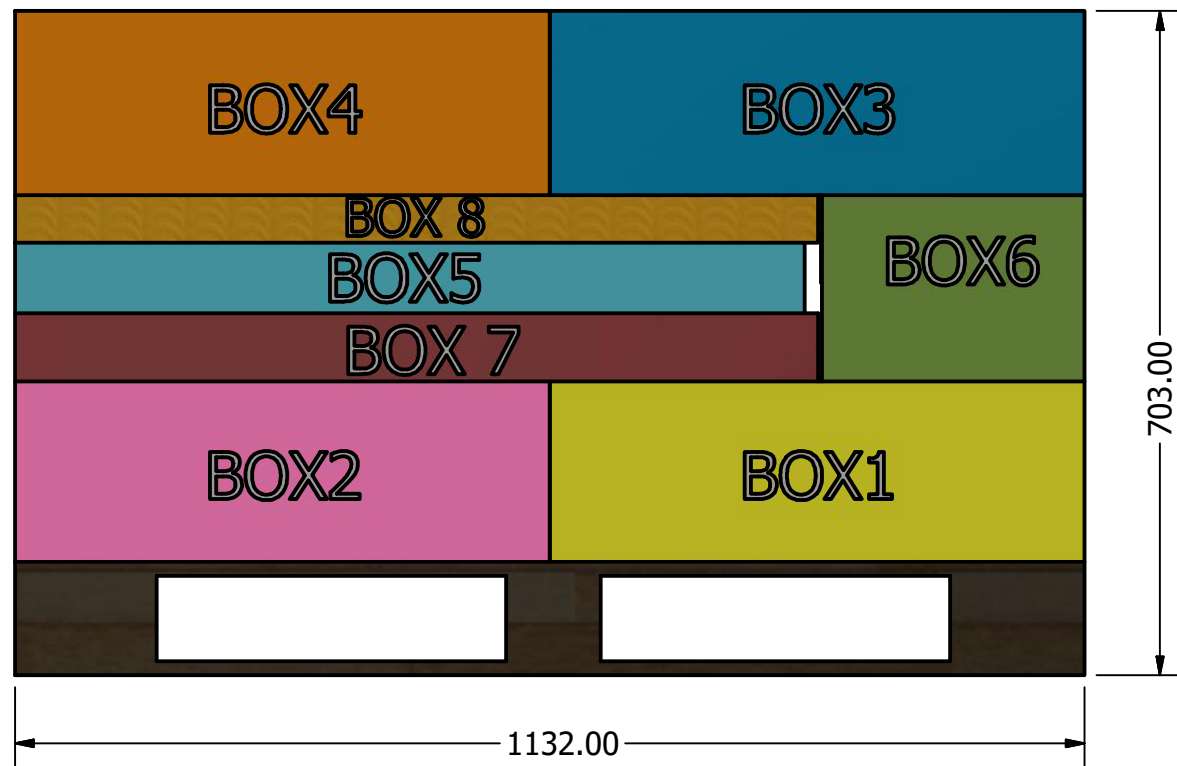
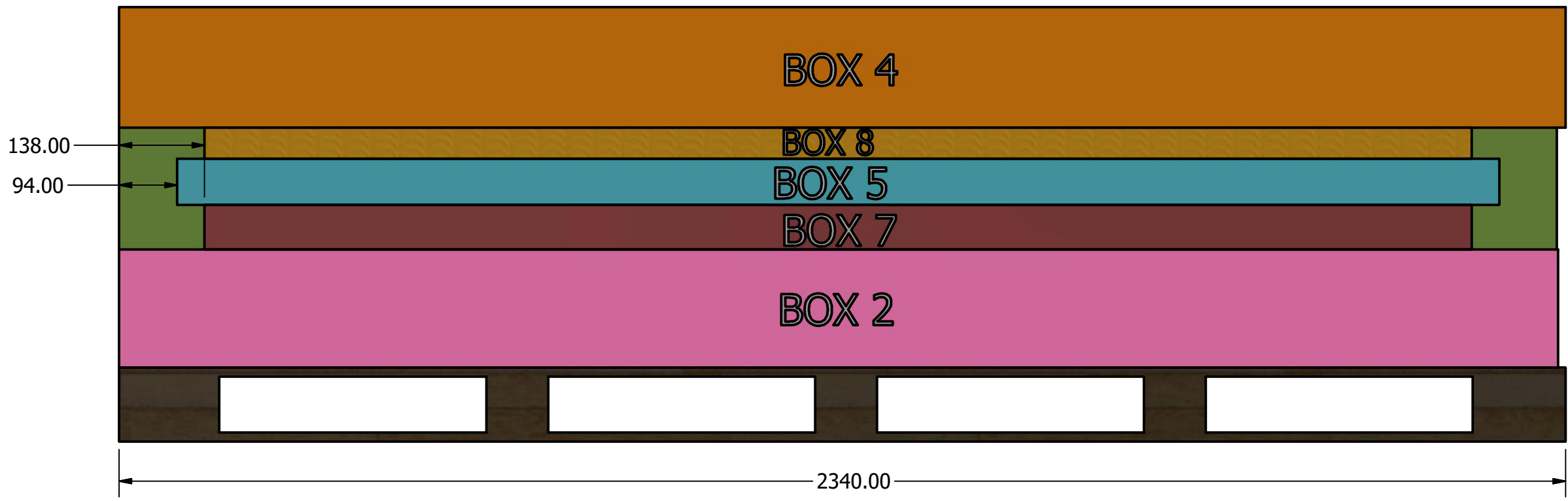
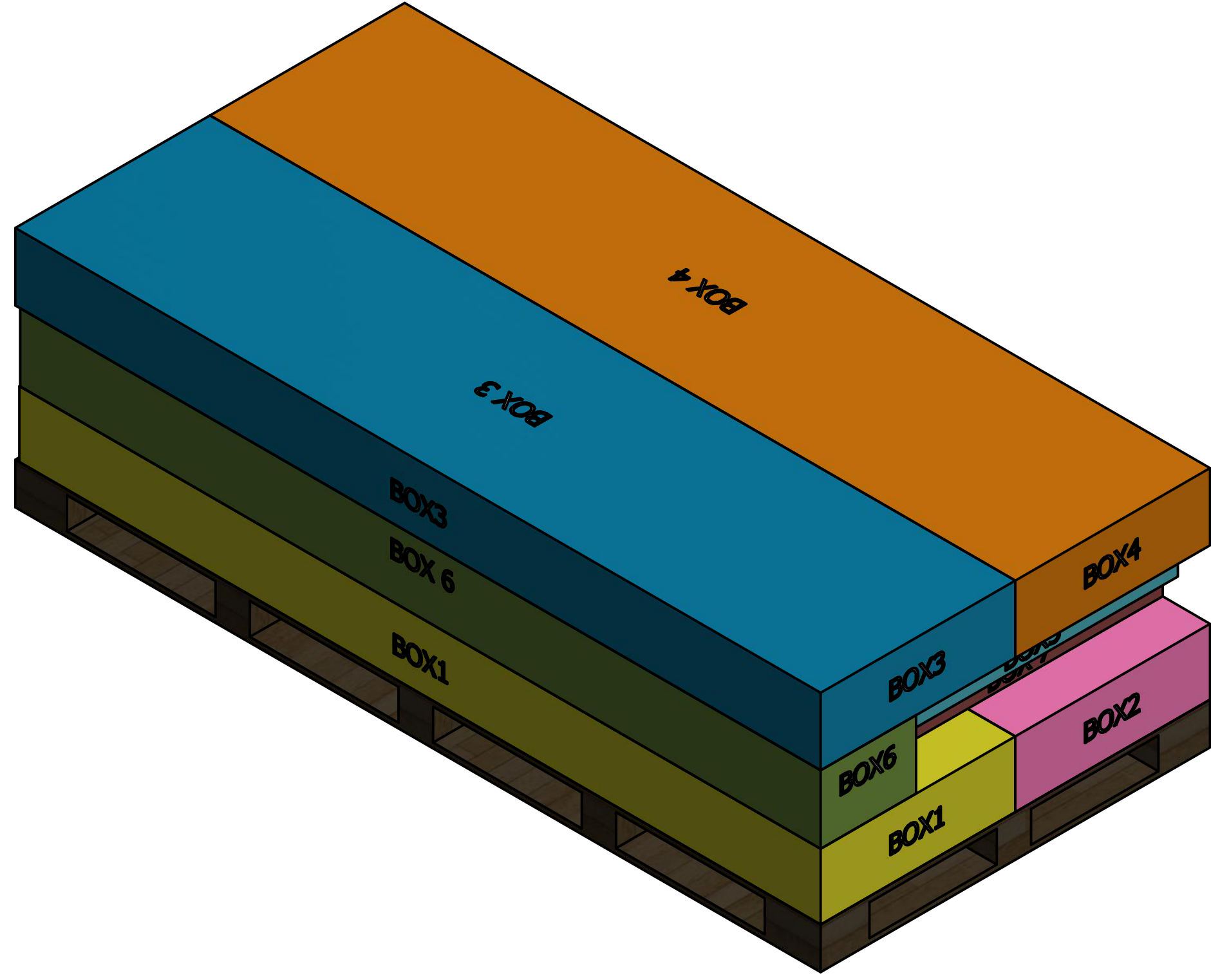
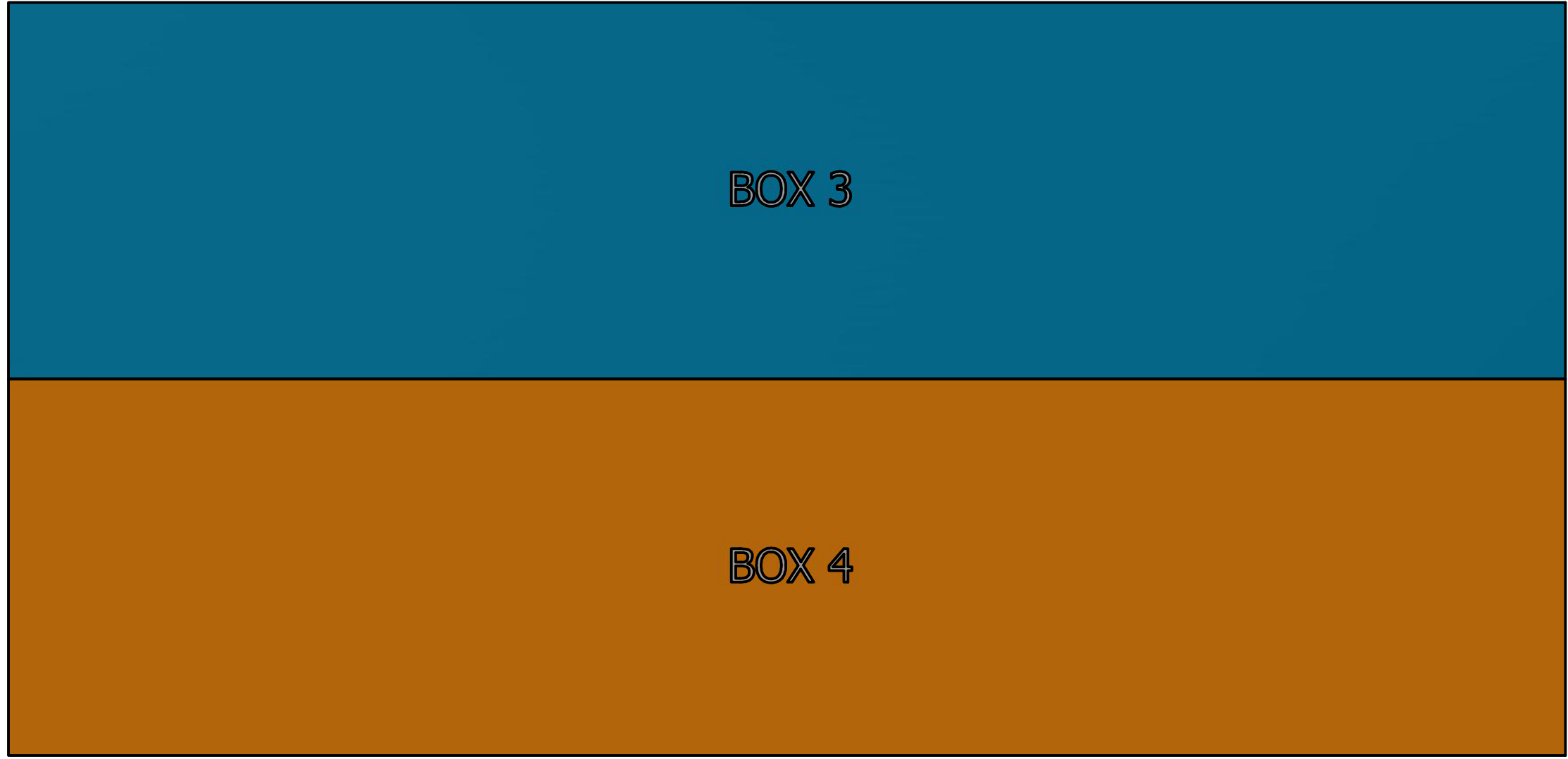
DRAWN Rudy		TITLE	
CHECKED			
QA			
MFG			
APPROVED			
		SIZE D	DWG NO 2306172
		SCALE 1 / 20	REV SHEET 1 OF 1

Pallet A (2 sets/pallet)

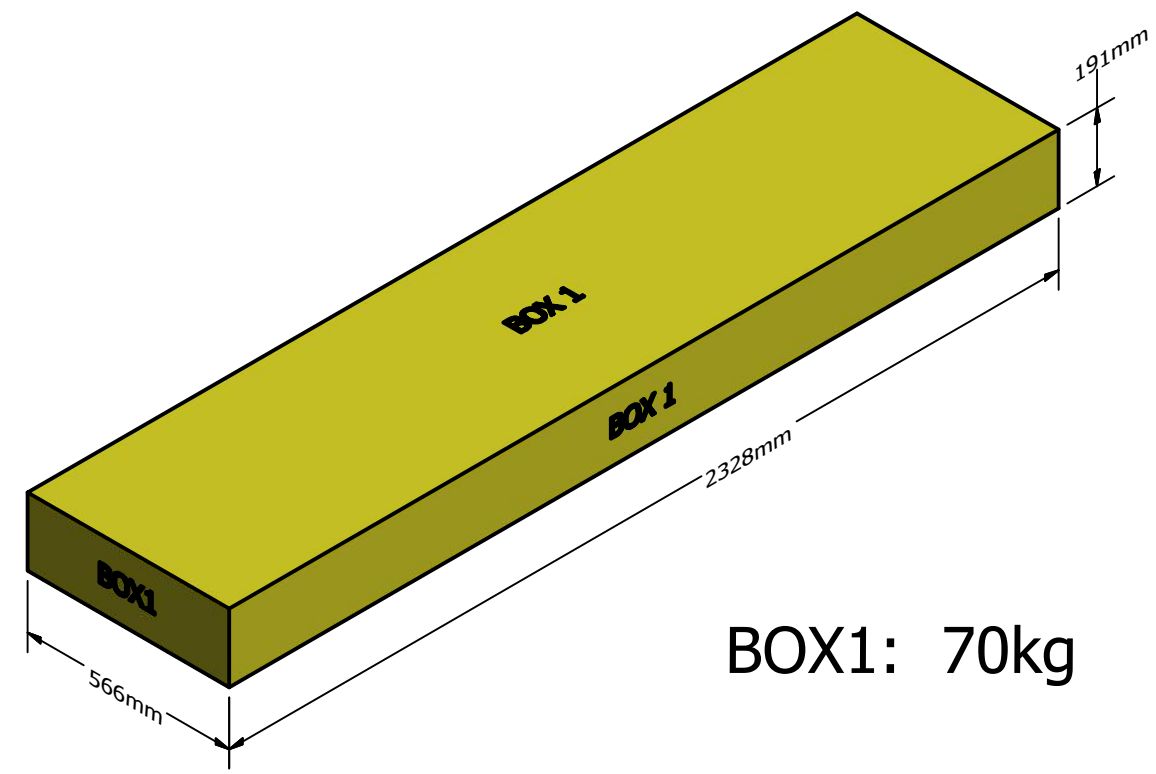


DRAWN Rudy	2019/8/19		
CHECKED		TITLE	
QA			
MFG			
APPROVED			
		SIZE D	DWG NO Pallet A
		SCALE 1 : 10	REV
		SHEET 1 OF 1	

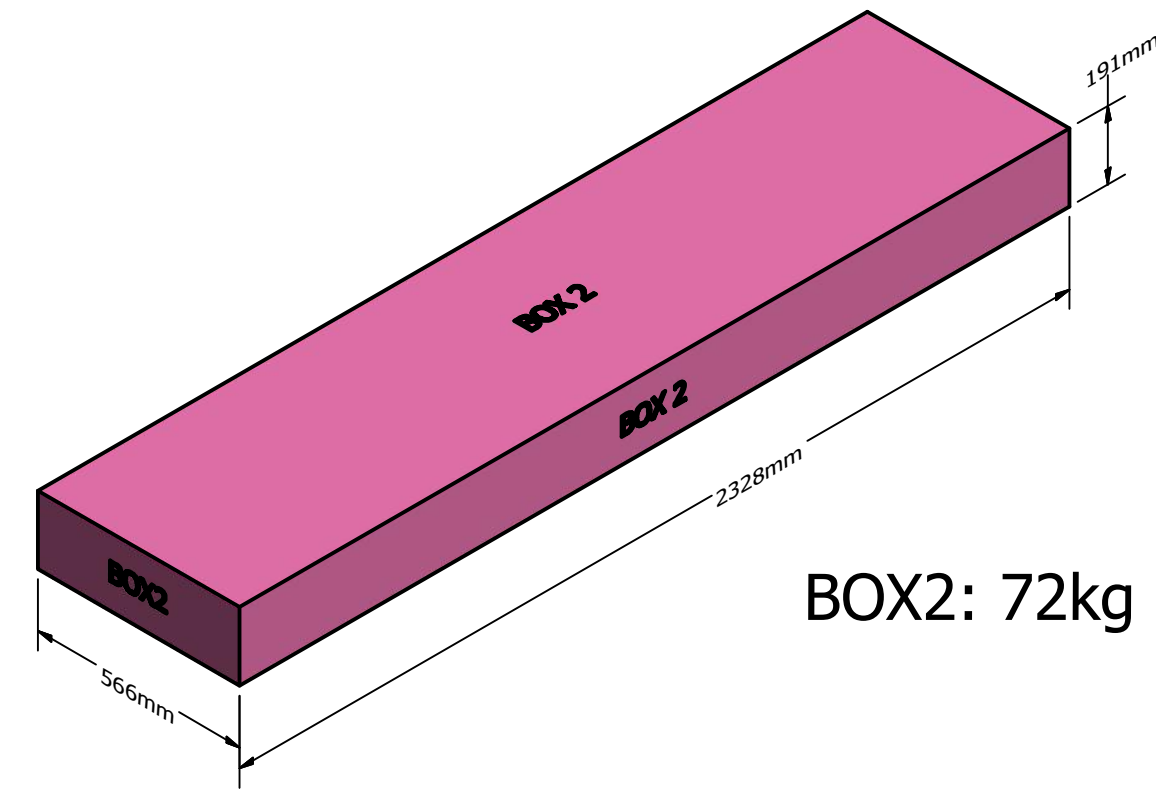
Pallet B (1 set/pallet)



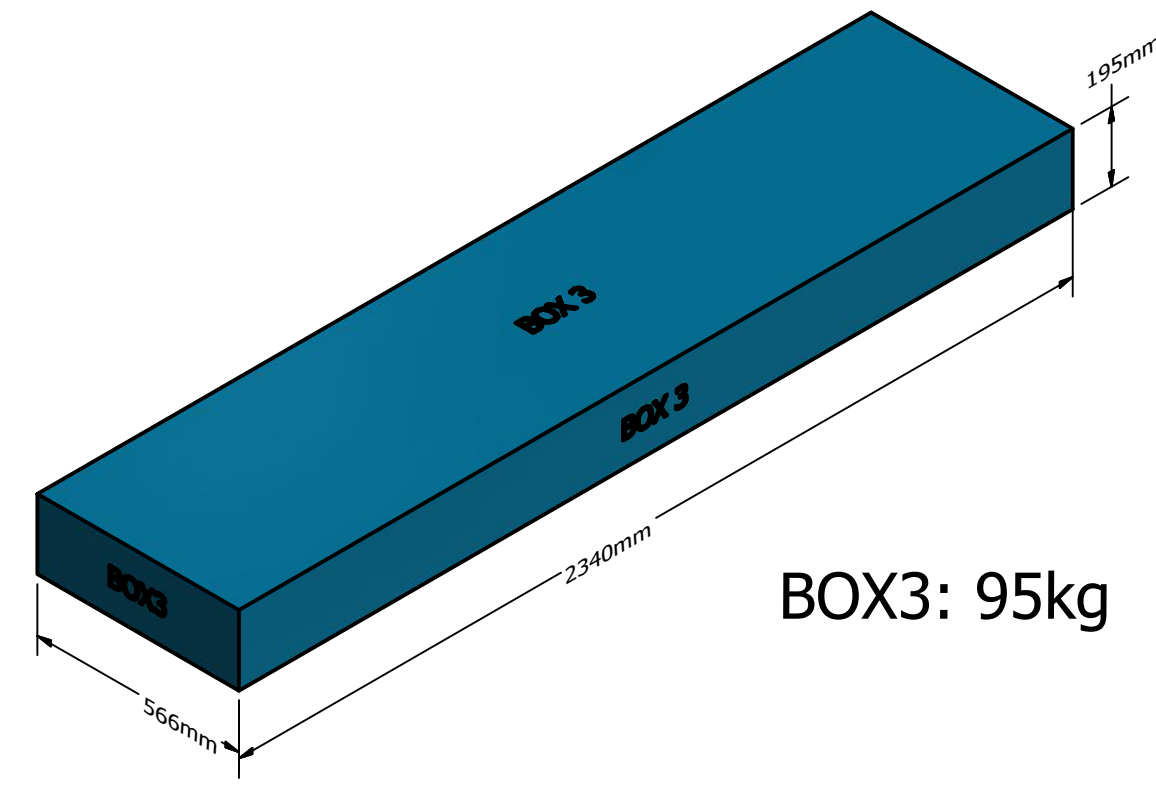
DRAWN Rudy	2019/8/19		
CHECKED		TITLE	
QA			
MFG			
APPROVED			
		SIZE D	DWG NO Pallet A
		SCALE 1: 8	REV
		SHEET 1 OF 1	



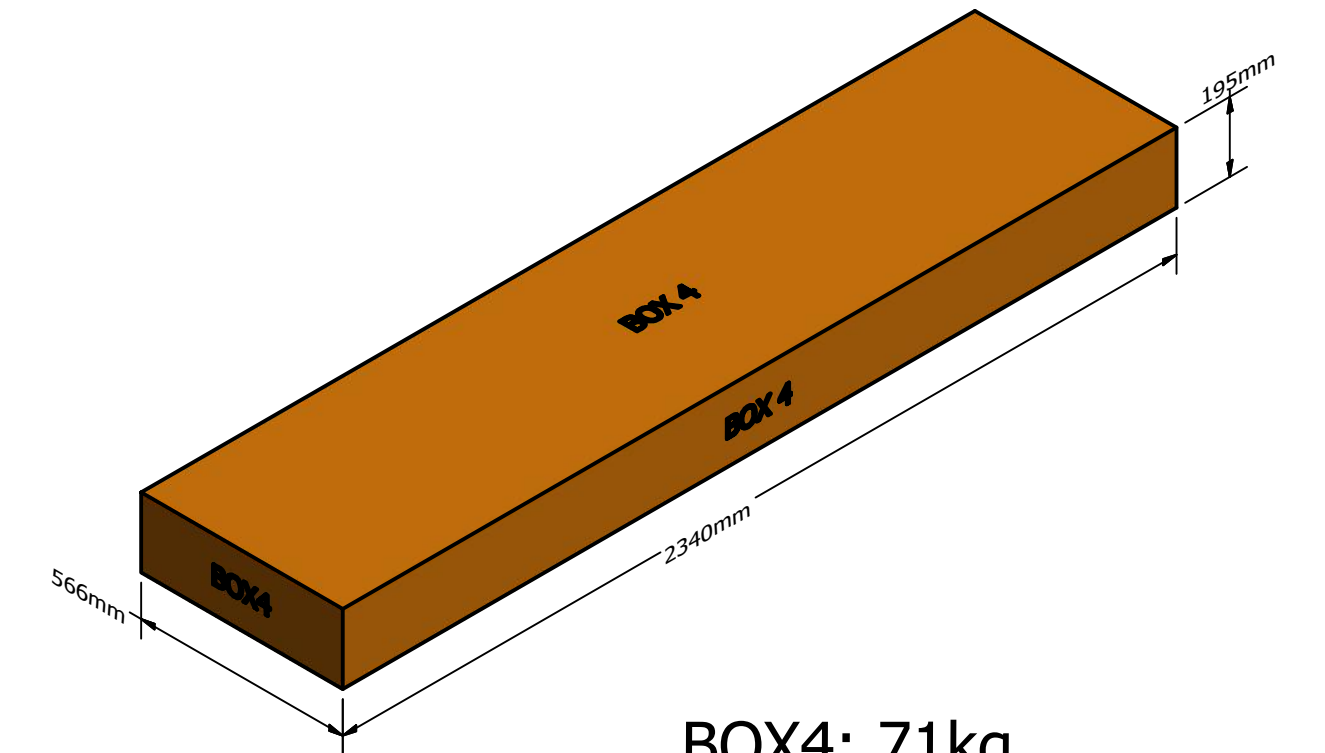
BOX1: 70kg



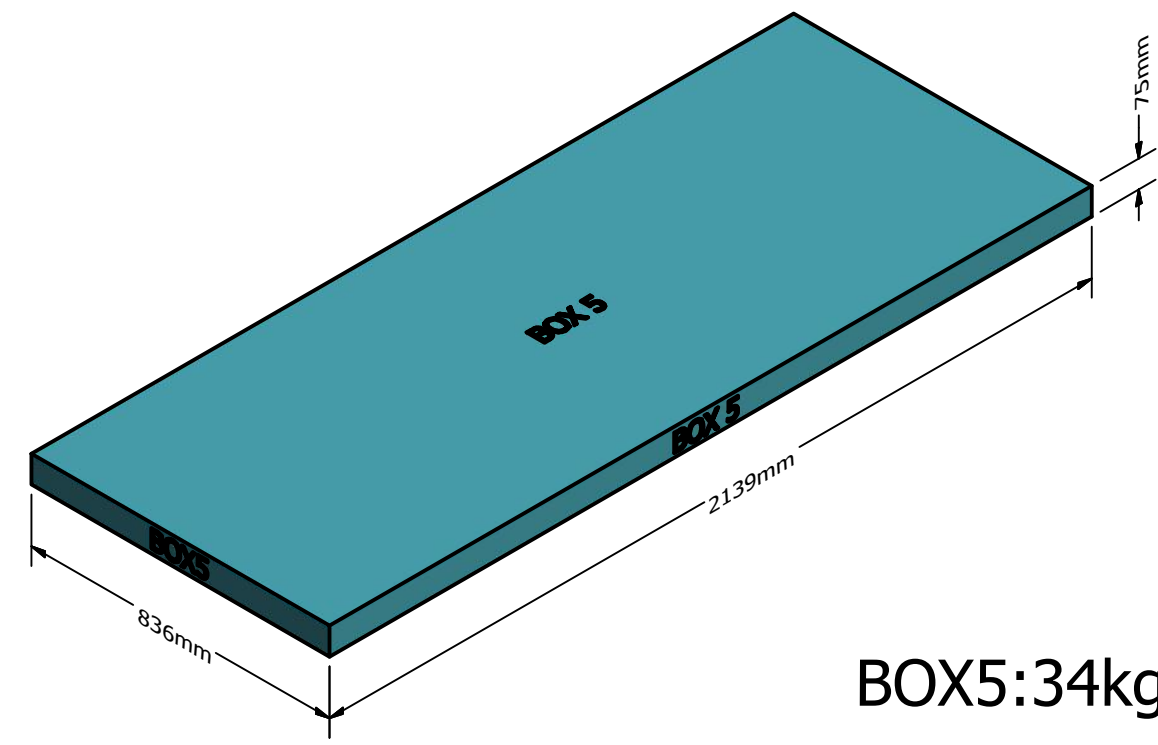
BOX2: 72kg



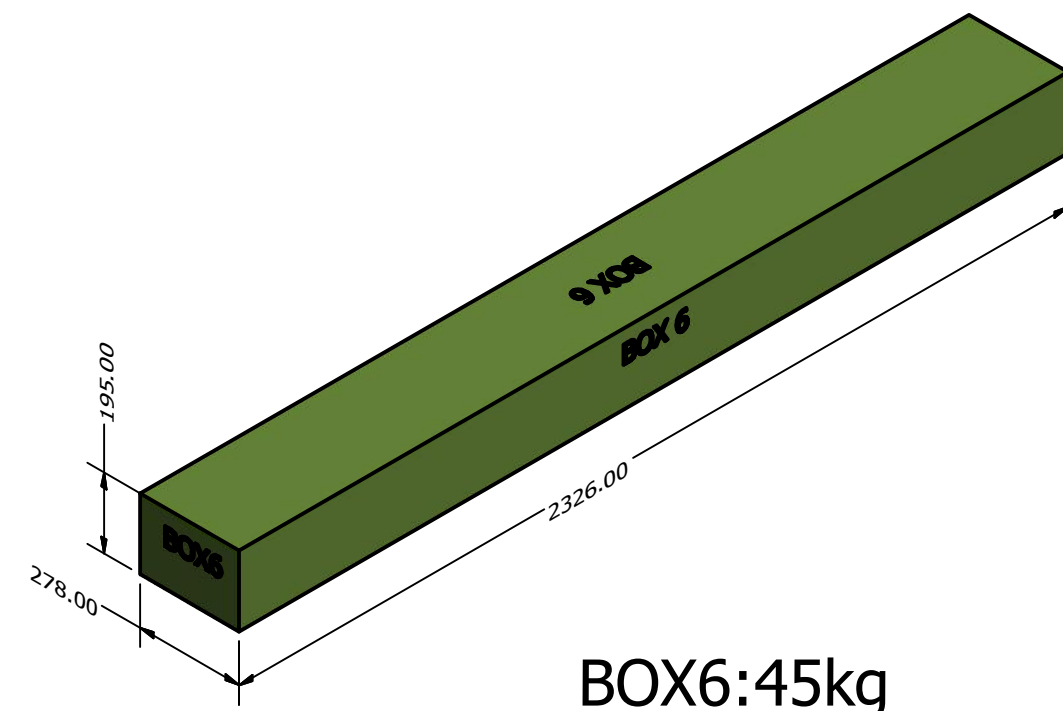
BOX3: 95kg



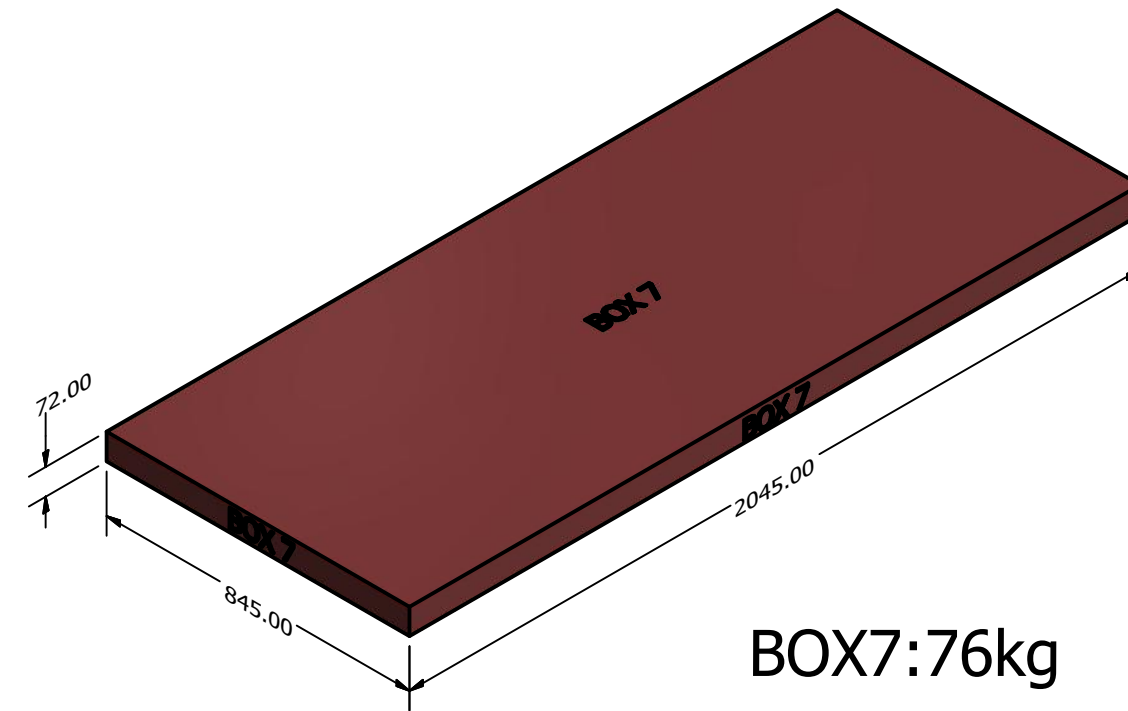
BOX4: 71kg



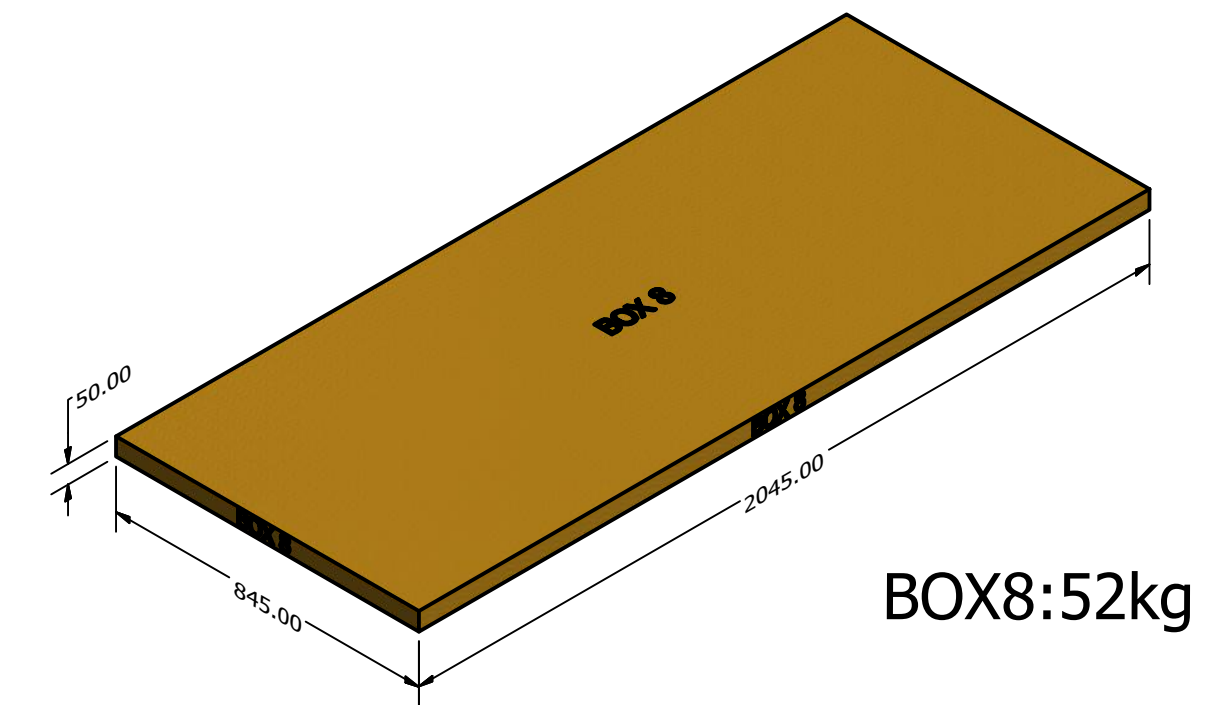
BOX5:34kg



BOX6:45kg



BOX7:76kg



BOX8:52kg

DRAWN Rudy	2019/8/19			
CHECKED		TITLE		
QA				
MFG				
APPROVED				
		SIZE D	DWG NO Pallet A (详细)	REV
		SCALE 1 / 15	SHEET 1 OF 1	