

6030 Shower Installation Guide

4-Piece Shower (Handed by Seat)



DALA6030R
DALA6030L

Tools and Materials for Proper Installation

- Drill
- Screw Driver Bit
- Drill Bit
- Screw Driver
- Mildew Resistant Silicone Caulking
- Pencil
- Framing Square
- Level

Please consult all local and state building codes and read the entire installation instructions prior to beginning the installation of this unit to ensure that the final installation is performed correctly.

▲ **IMPORTANT** - Upon receipt, inspect the shower for fit, finish and any damage or defect.

Do not remove the Medallion Identification Number. Doing so may affect the warranty.

This number may be found above the drain, left or right corner of unit.

This 4-piece shower unit must be stored in a dry area prior to installation to prevent moisture from attacking the reinforcement material which could cause warping of the unit.

This unit ships assembled to reduce the potential of shipping damage.

To disassemble the unit: Remove shipping packaging, then remove the wing nuts that secure the walls to the base.

Framing The Pocket

Frame a square and plumb pocket to dimensions of the unit. It is suggested that the floor be clear and level.

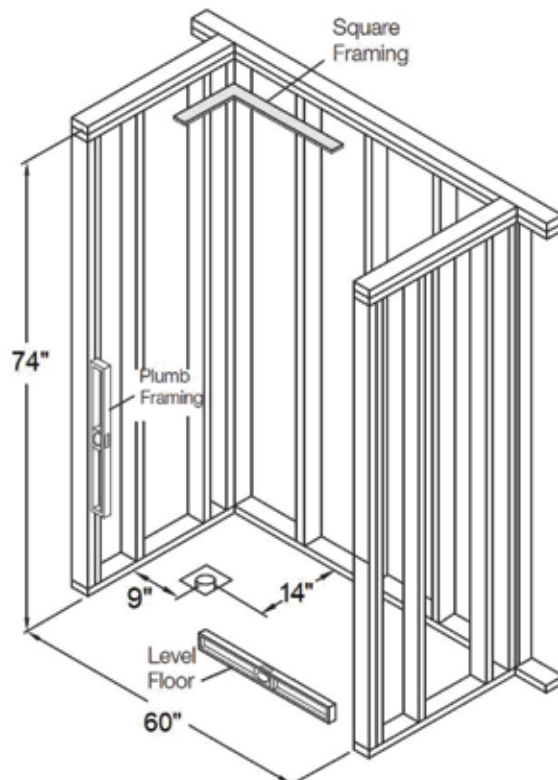


Figure 1

▲ **NOTE:** Accommodations should be made in the pocket dimensions for any accessories attached to the unit.

Installing The Base

Set the base of the unit into the framed pocket and plumb and level it. Shims may be placed under the leveling legs to make the unit plumb and level. Install all plumbing fixtures for the unit, making sure not to over-tighten them. Check the drain and make sure that it is sealed properly and not leaking. Use appropriate size shims to fill any gaps between the flange at the top of the base and the framing (See note on Figure 2). When the unit is plumb and level and any gaps are shimmed, secure the unit to the framing with galvanized nails or screws (pre-drilling holes is recommended). Secure the vertical flanges every 6" or as necessary to keep the flanges flush to the studding. Secure the horizontal flanges wherever they come into contact with the studding.

In an application where the unit is installed over wall board, trim/molding will be required to conceal the flanges, for best results your fasteners will need to be flush with the nailing flange. The manufacturer recommends centering and counter sinking a corrosion resistant fastener on the nailing flange. Raised fasteners will result in a problematic finishing process of the trim kit.

This 4-Piece Shower unit is designed to be self-supporting. The floors of this product is lab certified to withstand a point load of 300 pounds to ensure a quality product. In cases where any occupant of the home meets or exceeds 300 pounds in weight, we recommend that the unit be installed on a bedding material of cement or casting plaster. Use of a bedding material is required if the unit is being installed in a high use facility. (ie: dormitory, locker room, nursing home, motel, hotel etc.) For standard installations, the use of a bedding material is optional and done at the discretion of the customer. If a bedding material is used, be sure to place a moisture barrier such as plastic, between the bedding compound and the unit.

Gypsolite[®] or Structo-lite[®] plasters are recommended for a bedding material.

- ▲ FOAM SHOULD NEVER BE USED AS A BEDDING MATERIAL

Unit Flange Attachment

- ▲ Vertical Flange - Attached 6" On Center
- ▲ Horizontal Flange - Attached Every Stud

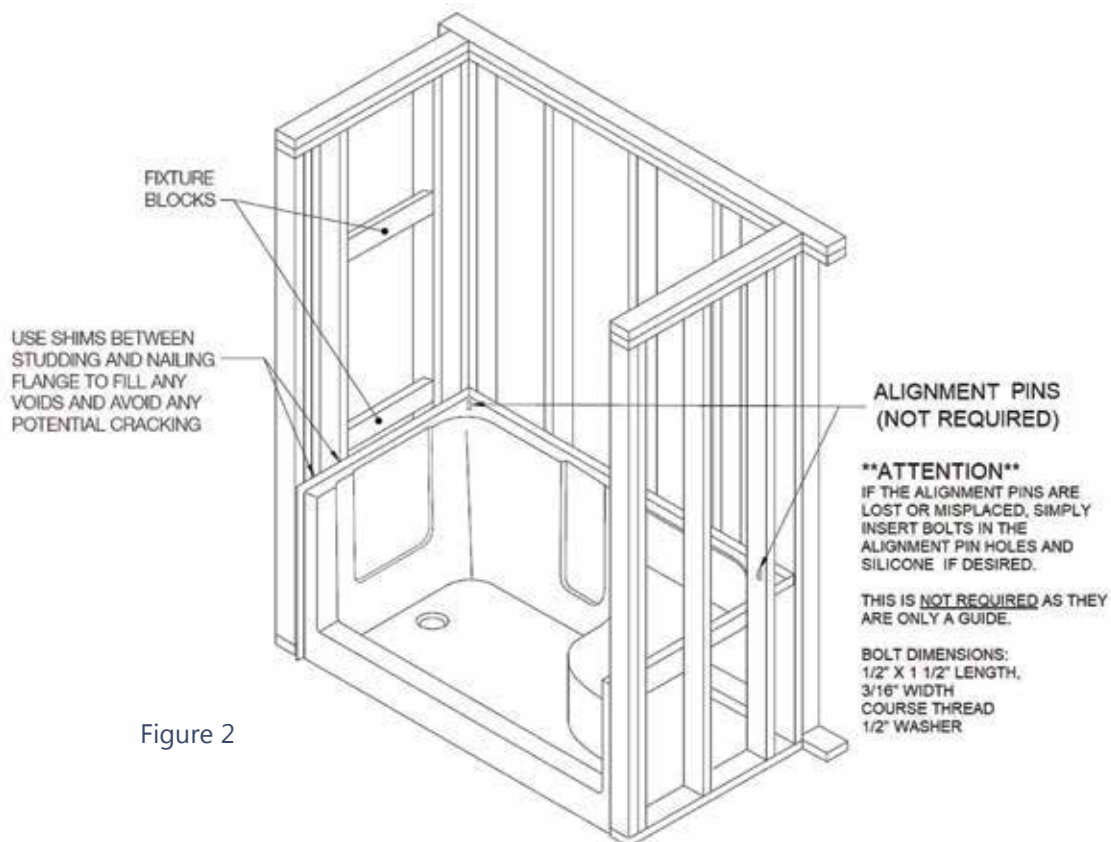


Figure 2

Back Wall Installation

Locate the back wall section. You can perform a dry-fit of the wall section to the base to check fit and ensure things line up and then remove panel for preparation.

Before installing the back wall, clean seam, then apply a bead of silicone caulking (not latex caulking) on the seam that will be between the base and back wall. If alignment pins are used, Be sure that the bead goes in front of the Pins on the base.

(Figure 3) Guide the back wall section onto the installed base section. Make sure that the back wall section is plumb. Use shims to get it plumb if needed. The side wall sections will not install correctly if the back wall is not plumb. Once the back wall section is plumb and seated properly on top of the base section, secure the back wall section to the studding. Secure the vertical flanges every 6" or as necessary to keep the flanges flush to the studding. Secure the horizontal flanges wherever they come into contact with the studding. Verify again that the wall section is plumb.

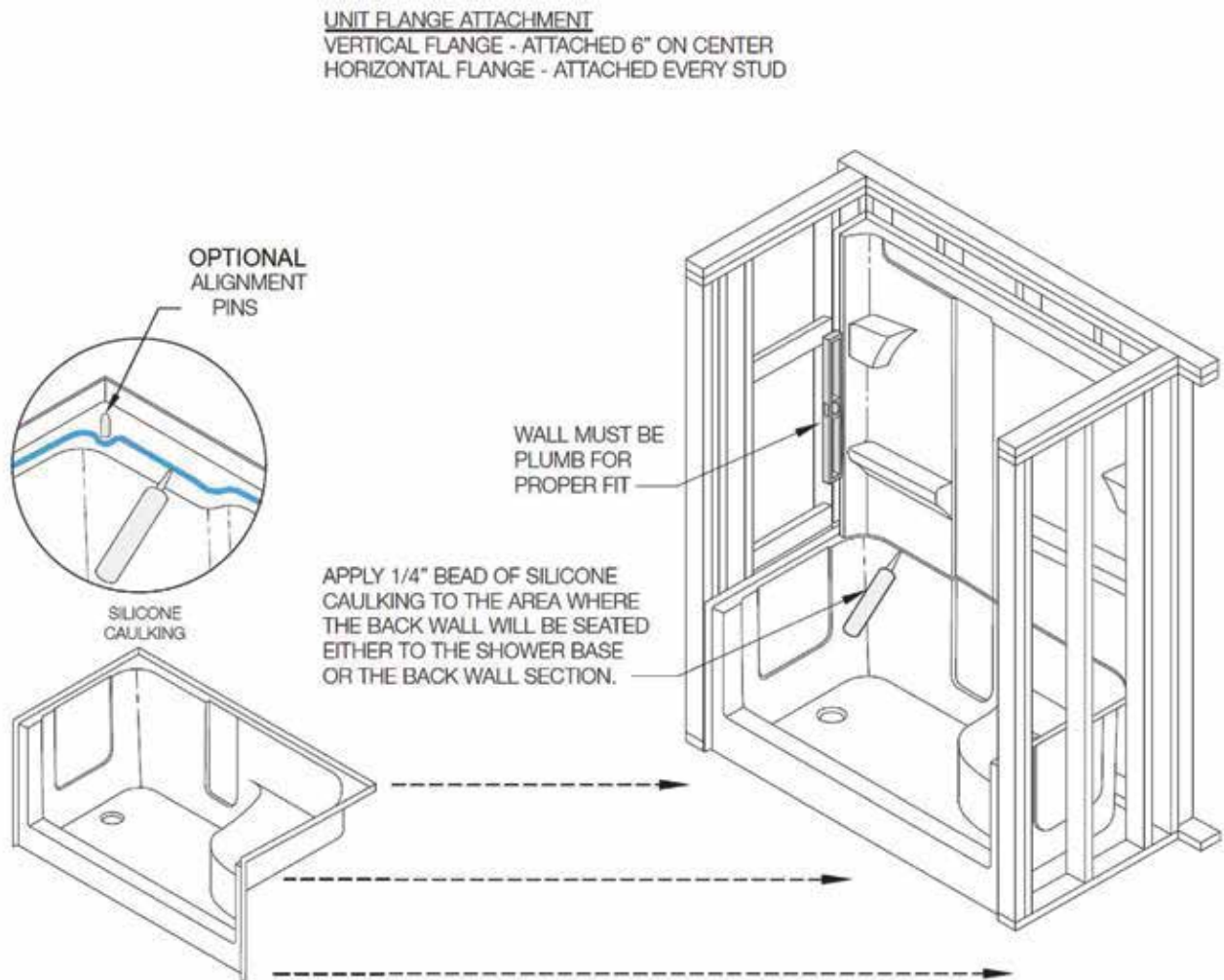


Figure 3

Left Hand Wall Installation

Locate the left hand wall section of the unit. The side walls are designed to be easy to install from the front of the unit. You can perform a dry-fit of the wall section to the base to check fit and ensure things line up and then remove panel for preparation. Clean seams then apply a bead of silicone caulking (not latex caulking) on the seam that will be between the base and the side wall & the side wall and the back wall Figures 4.1 & 4.2. Once the left side wall section is seated properly on top of the base section, secure the side wall section to the studs. Secure the vertical flanges every 6" or as necessary to keep the flanges flush to the studs. Secure the horizontal flanges wherever they come into contact with the studs. Repeat this process for the right hand wall section.

▲ Note: If installing the unit under drywall, see Fig 4.3. Installation over drywall, see Fig 4.4.

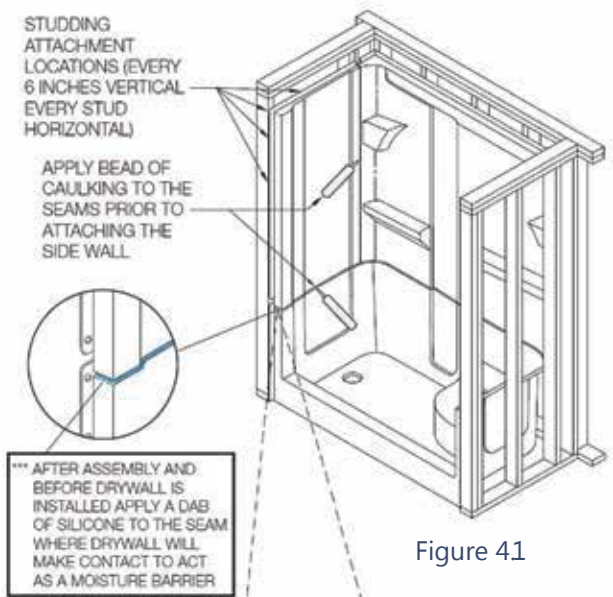


Figure 4.1

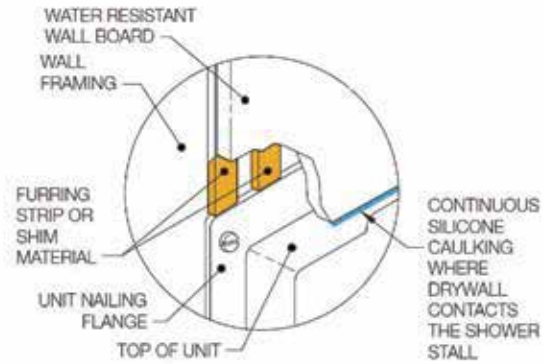


Figure 4.3

Detail at Top of Unit
(installed under drywall)

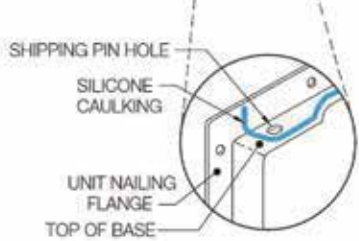


Figure 4.2

APPLY ABOUT A 1/4" BEAD OF SILICONE CAULKING AT THE FRONT EDGE OF THE BASE AND PARTIALLY UP THE NAILING FLANGE.

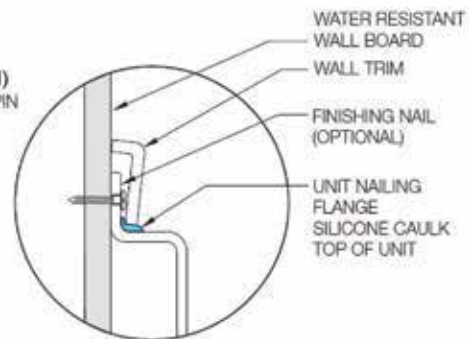
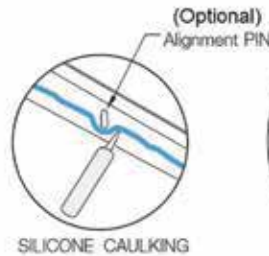


Figure 4.4

Section at Top of Unit
(installed over drywall)

Grab Bar Installation

The grab bars are fastened to the shower wall using the provided screws. Review these instructions before you begin installation.

1. Determine the location you want to install the grab bar. Place the grab bar in the desired location and mark the location of each mounting hole for both ends of the grab bar.
2. Using a 1/8" drill bit, drill each mounting hole at a 1" depth.
3. Apply the silicone caulking around and in each mounting hole before installing a grab bar.
4. Start by mounting by hand, one screw in each end of the bar.
5. Use a power drill with a Phillips head bit to fully install the mounting screws.
6. Install the remaining mounting screws into the mounting holes. Tighten screws snugly without over-tightening.



Care & Cleaning Instructions

CAUTION: If you use a RUBBER FLOOR MAT in the tub or shower unit it must be removed after each usage. If left in the unit, it may cause blisters or damage to the surface finish.

Do Not Use Abrasive Cleaners

The most important caution is to avoid the use of harsh abrasive cleaners or gritty scouring powders. To clean the unit, simply use a household liquid detergent with a soft sponge or cloth with warm water.

More persistent stains, tar or paint can be removed with naphtha or mineral spirits. Remove dried plaster by scraping with a soft sharp-ened wooden stick. Avoid wire brushes, metal scrapers or tools. Restore dull areas by rubbing with automotive type body cleaning compound.

Limited Warranty

The manufacturer warrants to the original purchaser to be free from defects in material and workmanship for the following periods. The bathing unit shell carries a limited lifetime warranty. The grab bars, drain and curtain rod have a limited 10 year warranty. All other parts have a limited 5 year warranty. Proof of purchase is required. This warranty is issued to the original purchaser and shall be effective from the date of purchase as shown on purchasers receipt.

The manufacturer will repair or replace (at their choice) any unit which proves to be defective in material or workmanship under normal use and service, having been properly installed. This warranty is the only express warranty made by the manufacturer and is limited to the duration of this warranty. Any labor charges and/or damage incurred in installation, repair or replacement as well as incidental and consequential damages connected there with are excluded and will not be paid by the manufacturer. Some states do not allow the exclusion or limitation of incidental or consequential damage, so the above limitation or exclusion may not apply to you. This warranty is void for any damages to the unit due to abuse, misuse, neglect, accident, improper installation, any use violating instructions furnished by us, or repair not authorized in writing by the manufacturer.

To validate your warranty, record your order date and PO # and store in a safe place.

The order date & (8-digit) PO # can be found on your Lowes receipt.

Order Date: _____

PO #: _____

6030 Shower Installation Guide

4-Piece Shower (Handed by Seat)

