

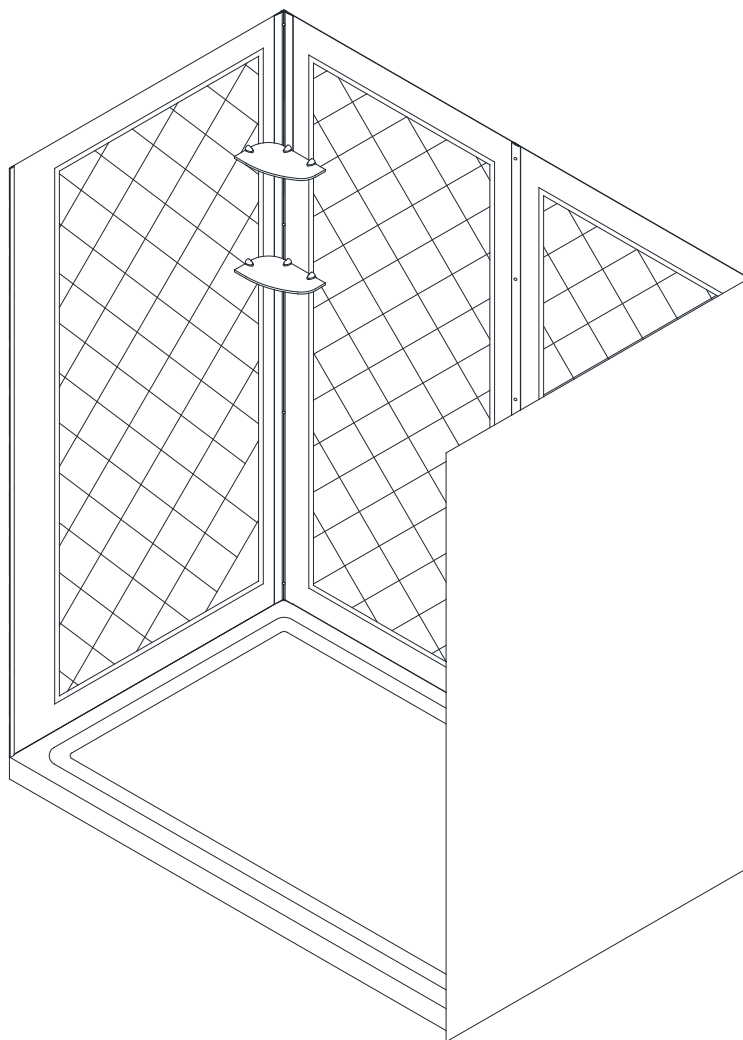


## QWALL – 5.2 (2 Back Panels)

### SHOWER ACRYLIC WALL INSTALLATION INSTRUCTIONS

#### IMPORTANT

DreamLine™ reserves the right to alter, modify or redesign products at any time without prior notice. For the latest up-to-date technical drawings, manuals or any other details please refer to your model's web page on [BathAuthority.com](http://BathAuthority.com)



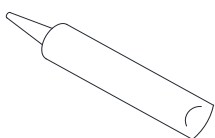
**Please read these instructions carefully before installing. If you have any questions regarding installation, please contact our technical support specialists Monday through Friday 8:00 AM – 7:00 PM EST at Phone: [1-866-731-2244](tel:1-866-731-2244), Fax: [1-866-857-3638](tel:1-866-857-3638) or e-mail our technical support group at [Support@BathAuthority.com](mailto:Support@BathAuthority.com)**

**For more information about DreamLine™ products please visit [www.BathAuthority.com](http://www.BathAuthority.com)**

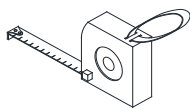
## Preparation

1. Prior to installation, examine all boxes and packages for shipping damage and compare the piece count with your packing slip. After opening all boxes and packages read this introduction carefully. Check that all of the needed parts are included in the package by checking off the components on the "Detailed Diagram of Acrylic Shower Wall Components". If the unit has been damaged, has a finishing defect, or has missing parts, please contact our customer support department within **3 business days** of the delivery date. Please note that **DreamLine™ will not replace any damaged products or missing parts free of charge after 3 business days or if the product has been installed.** Feel free to contact DreamLine™ if you have any questions, and please provide an order number, job name or other proof of purchase to help us identify your original order.
2. **Please note that you should consult your local building codes with questions about installation compliance standards. Building and plumbing codes may vary by location, and DreamLine is not responsible for code compliance standards for your project.**
3. This acrylic wall system is specially designed to be installed over any solid surface. If you are installing the acrylic walls over existing tiles, remove all loose tiles before the installation. If you are installing over existing painted walls, remove any loose paint. Please, note that some cutting and drilling may be necessary during the installation process.
4. Make sure to turn off the water supply, remove faucet, handles or any fixture trims protruding from the wall. Clean the surface, removing any soap film and dirt from all wall surfaces using regular household detergent, and then wipe dry.

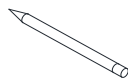
## Tools Required



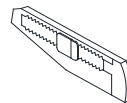
Caulk



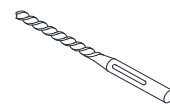
Tape Measure



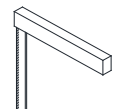
Pencil



Knife



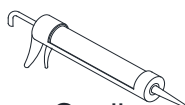
Drill bit  
(Ø 5/16")



T-Square



Level



Caulk Gun



Electric Drill

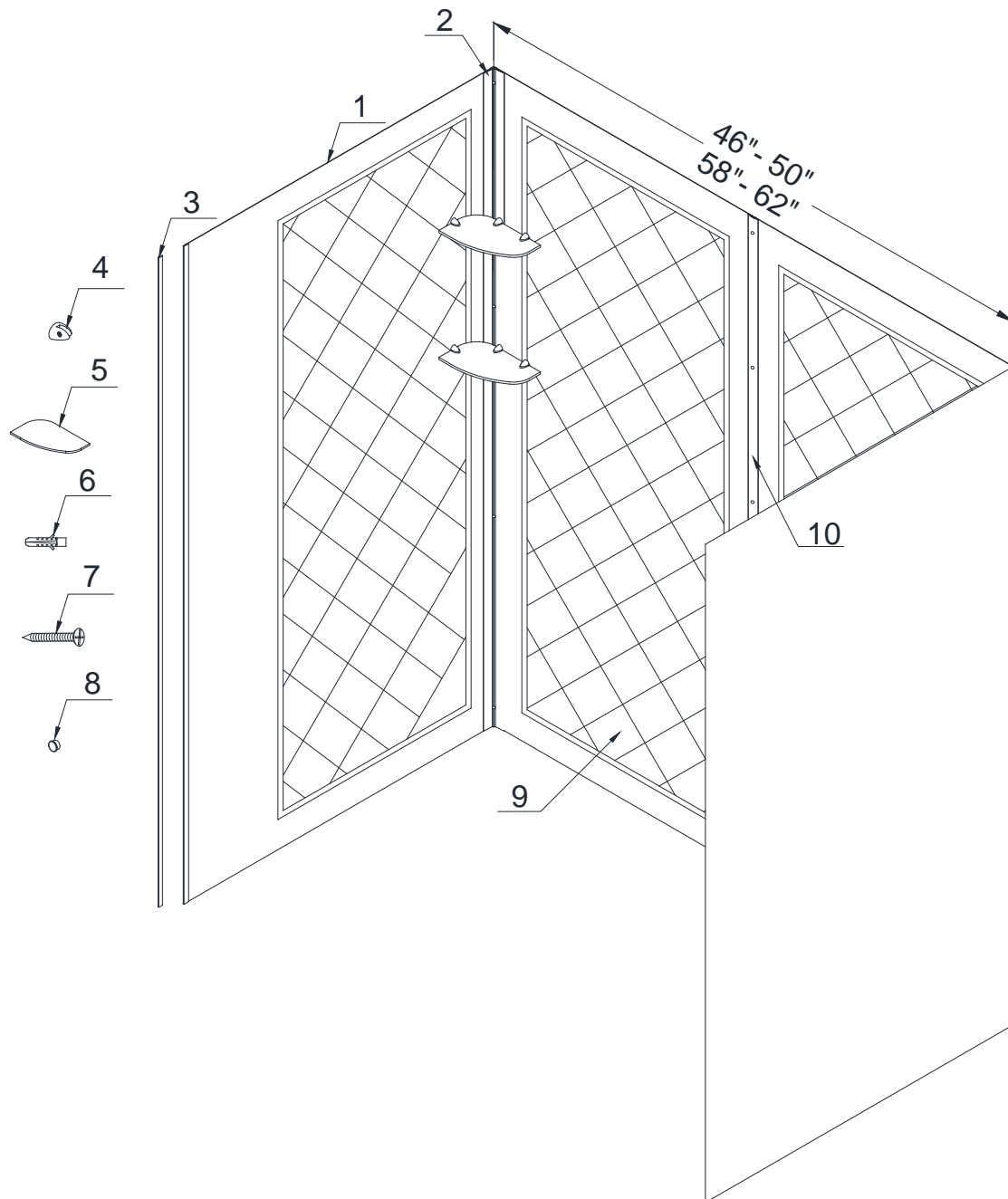


Hammer



Phillips Screwdriver

## Detailed Diagram of Acrylic Shower Wall Components



### Packing List

01	Side panel	2pcs	06	Wall anchor	21pcs
02	Corner cover	2pcs	07	Countersunk screw ST4.2×40	21pcs
03	Decorative edge molding	2pcs	08	Decorative cover	15pcs
04	Shelf bracket	6pcs	09	Back panel	2pcs
05	Glass shelf	2pcs	10	Center cover	1pc

**NOTE:** Unpack your unit carefully and inspect it. Lay it out and identify all parts using the detailed diagram and packing list in your manual as a reference. Before discarding the carton, check for small hardware bags that may have fallen to the bottom of the box. If any parts are damaged or missing, please contact DreamLine™ for replacement. The shipping boxes may contain extra parts not used in your model configuration.

**NOTE:** Retain these installation instructions for future reference.

## Preparation for Installation of Back Panel

1. Place a mark on the walls at a distance of **1" (one inch)** from the corner and draw a plumb vertical line from top to bottom.

See Fig. 1 for details.

**NOTE:**

Repeat this step for both corners.

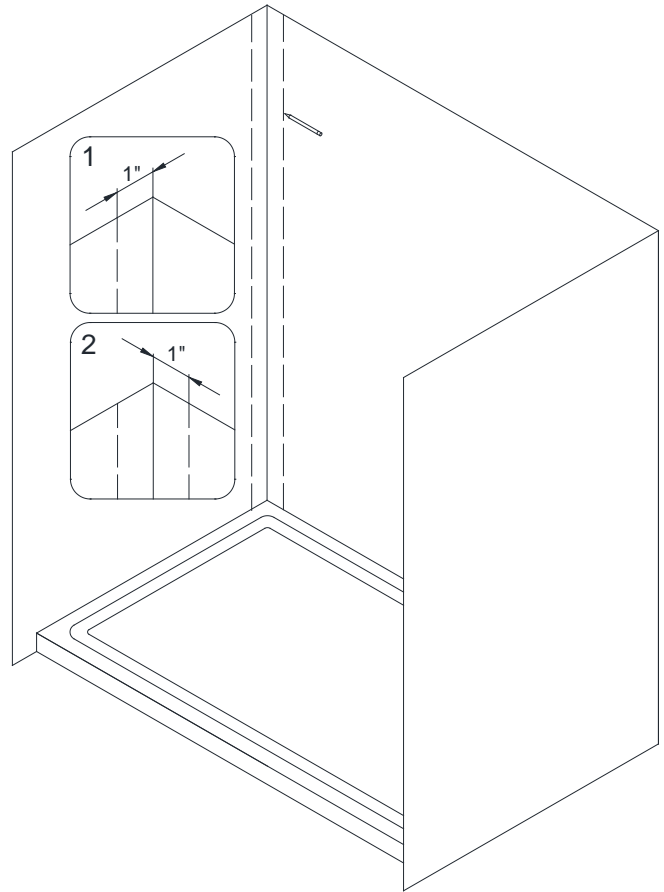


Fig. 1

2. The Shower back wall kit has two **Back Panels (09)**. Measure the back wall of the shower between the vertical lines you marked in Step 1. This distance is marked as **"W"**.

See Fig. 2 for details.

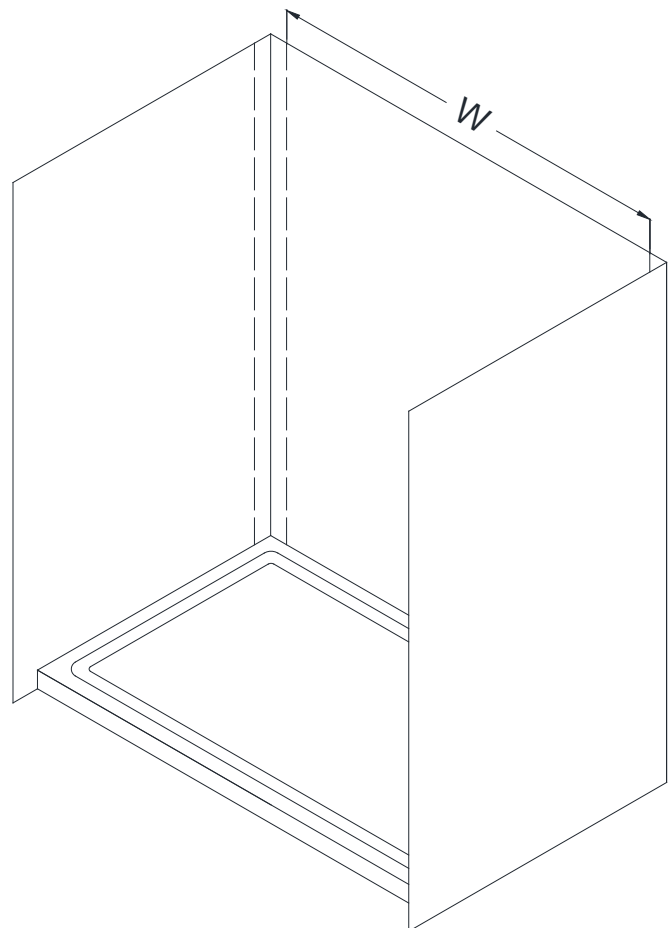


Fig. 2

3. Divide the measurement "**W**" by two and place a mark in the center of the back wall and from there draw a plumb vertical line from top to bottom.

This distance is shown as "**W/2**".

See Fig. 3 for details.

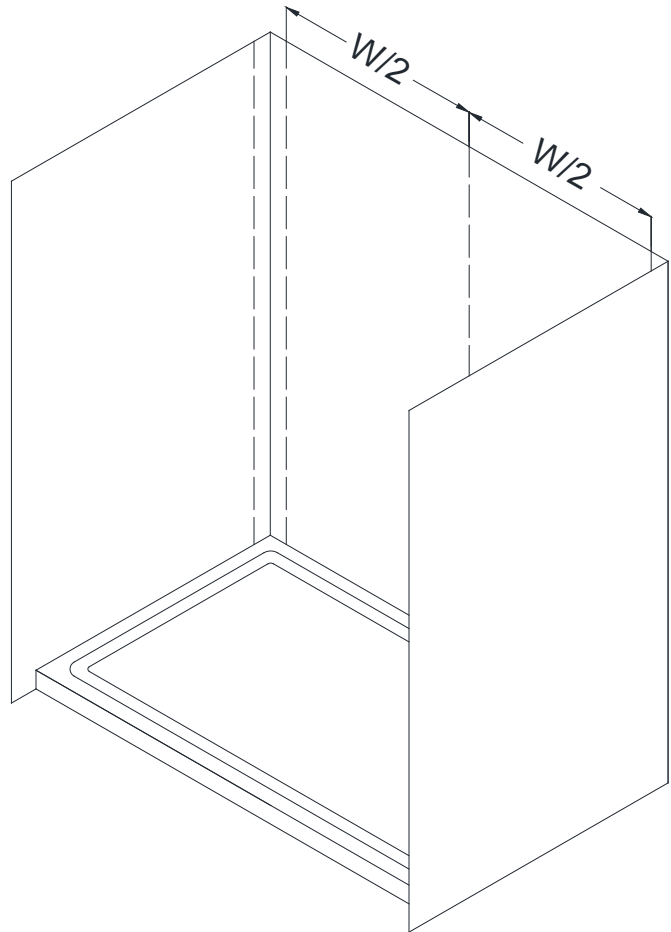


Fig. 3

4. Determine the position of both **Back panels (09)**.

**NOTE:**

- a) The Narrow side (2-3/4") of the **Back panel** cannot be trimmed and should face the center of the back wall (as shown)
- b) The Wide side (3-1/8") of the **Back panel** must be trimmed to the size of the back wall if necessary, and should face the corner.

See Fig. 4 for details.

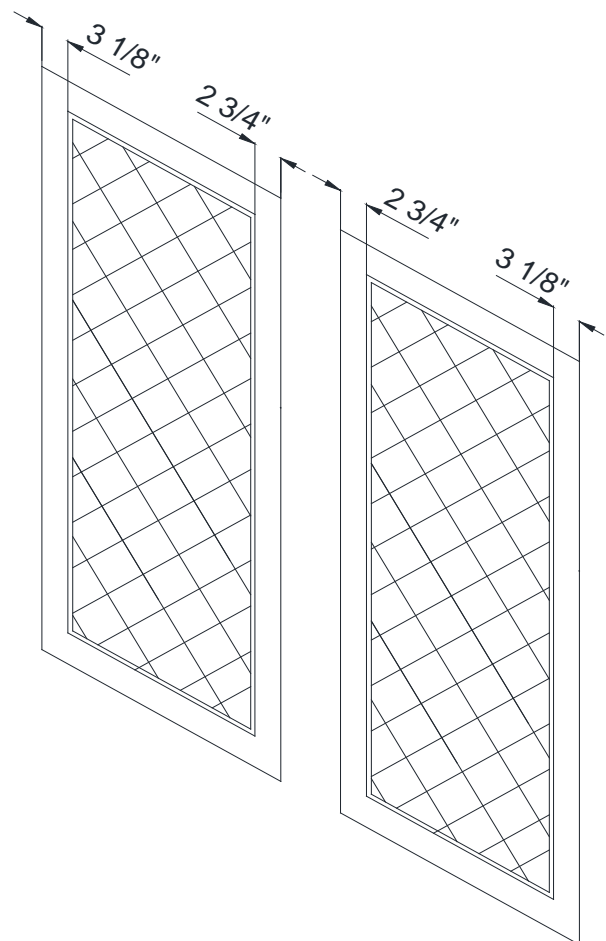


Fig. 4

5. Measure the **Back Panel (09)**.

Width of the **Back Panel** has to be less than or equal to the distance between the center line and the corner line on the back wall in Step. 3

$$L \leq W/2$$

If the width of the **Back Panel** is greater than the distance between the center line and the corner line on the back wall in Step. 3, you have to trim the **Back Panel** to fit your measurement.

See Fig. 5 for details.

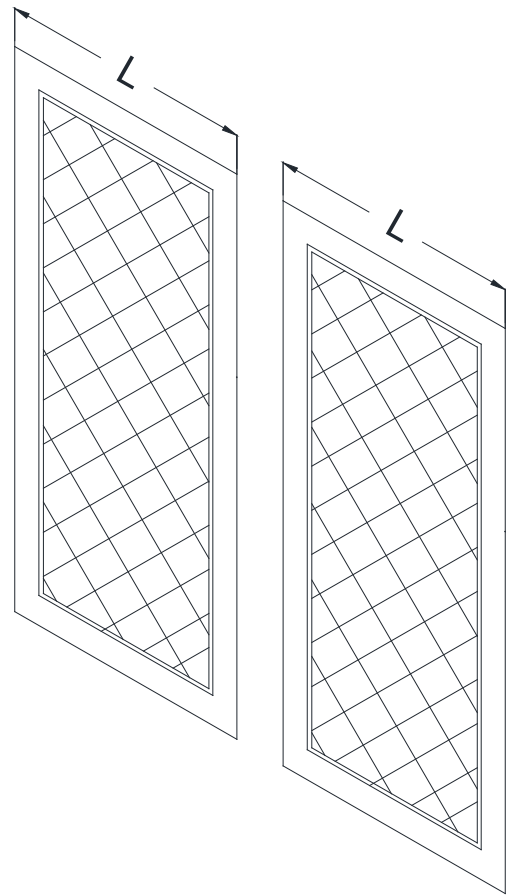


Fig. 5

6. Measure from the narrow edge of the **Back panel (09)** and place a mark at a distance of "**W/2**" (that you measured in Step. 3),

From this mark, draw a straight line from top to bottom along the wide edge of the **Back panel**.

See Fig. 6 for details.

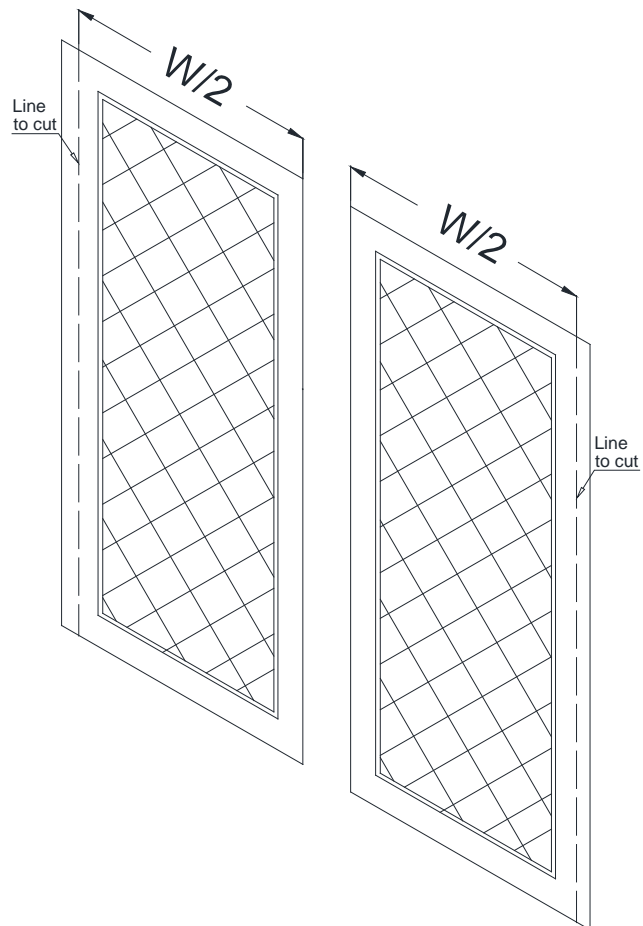


Fig. 6

- Place the **Back Panel (09)** onto a flat piece of plywood or particle board. Use a sharp industrial knife and a T-square to score along the marked side ends of the **Back panel** and continue scoring until you have fully cut through the panel.

See Fig. 7 and Fig. 8 for details.

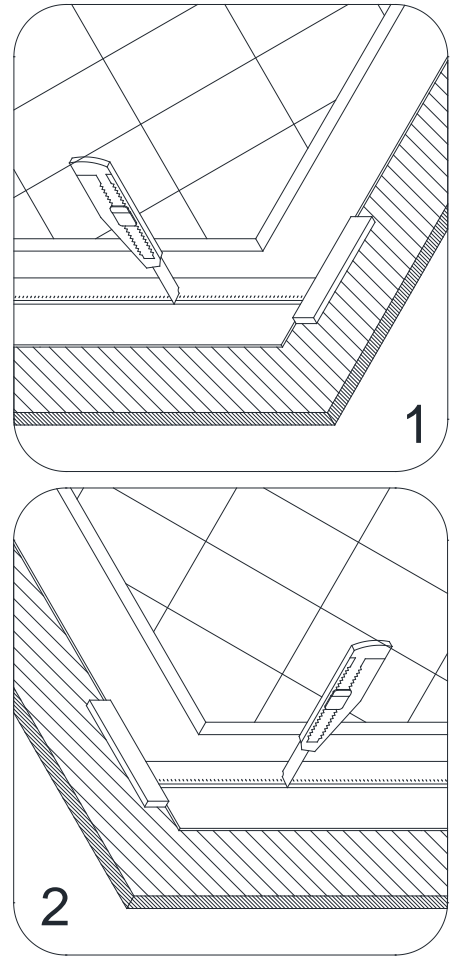


Fig. 7

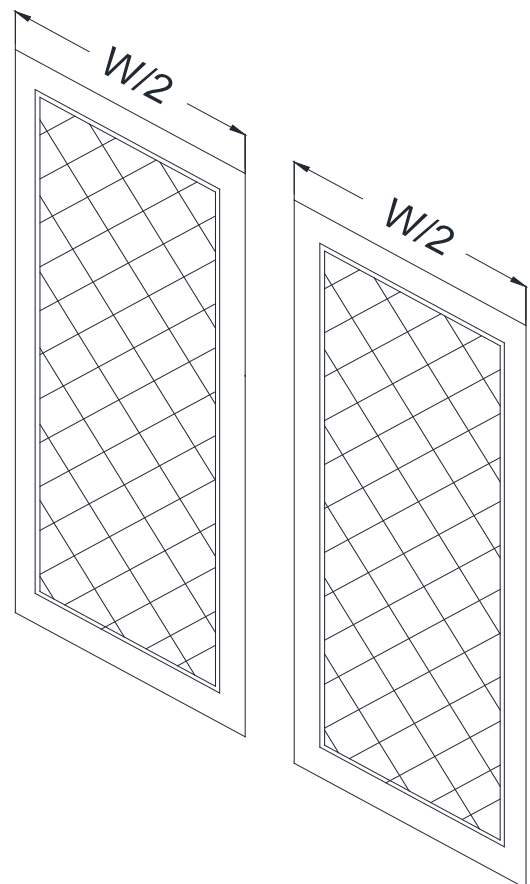


Fig. 8

## Preparation for Installation of Side Panels

### **ATTENTION:**

If you are installing a shower door with a wall profile, you can hide the edge of the **Side panel (01)** behind the wall profile.

See Fig. 9 for details.

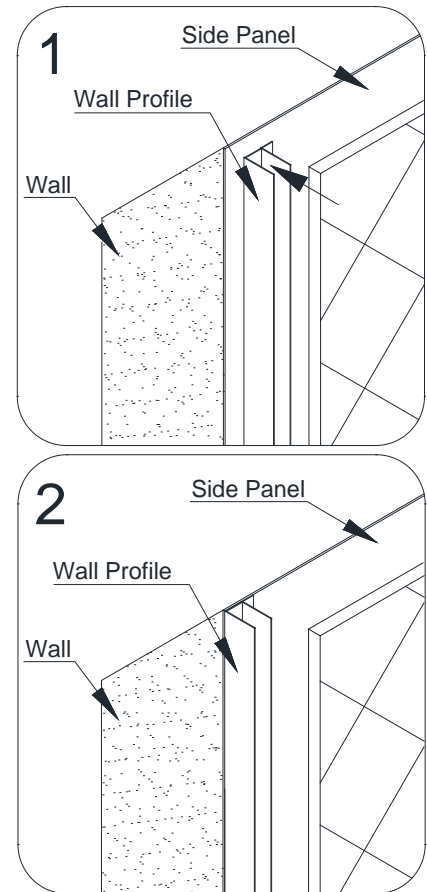


Fig. 9

8. Measure the side walls of the shower from the **1" (one inch)** line in the corner (from Step. 1) to the distance where you want **Side panels (01)** to end. The distance is "**D**".

See Fig. 10 for details.

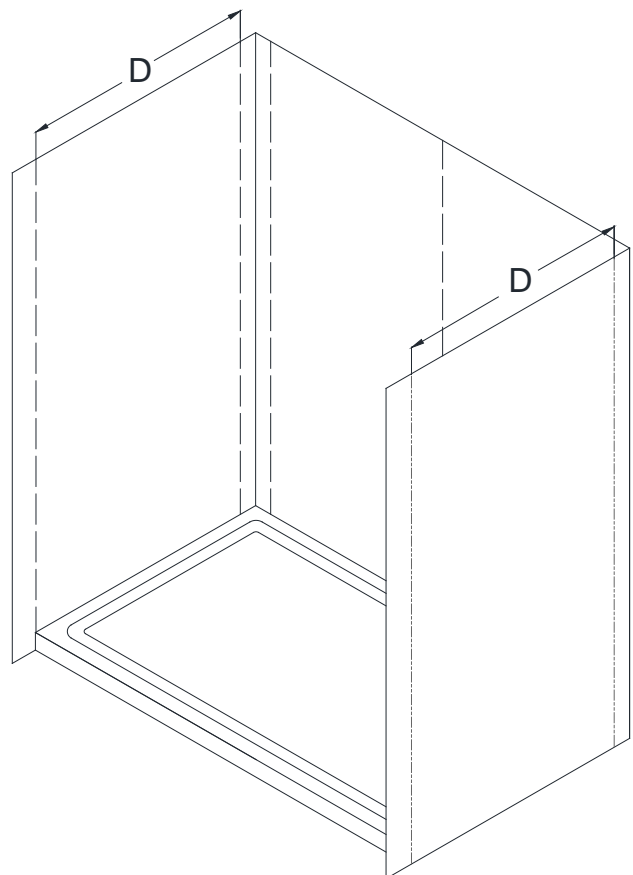


Fig. 10

9. Determine the position of both **Side panels (01)**.

**NOTE:**

- a) The narrow edge of the **Side panel** fits behind the corner cover and cannot be trimmed.
- b) The wide edge of the **Side panel** can be trimmed to the size of your measurements from Step. 8.

Measure from the narrow edge of the **Side panel** and place a mark at a distance of "**D**" (that you measured in Step. 8).

Draw a straight line from top to bottom along the wide edge of the **Side panel**.

See Fig. 11 for details.

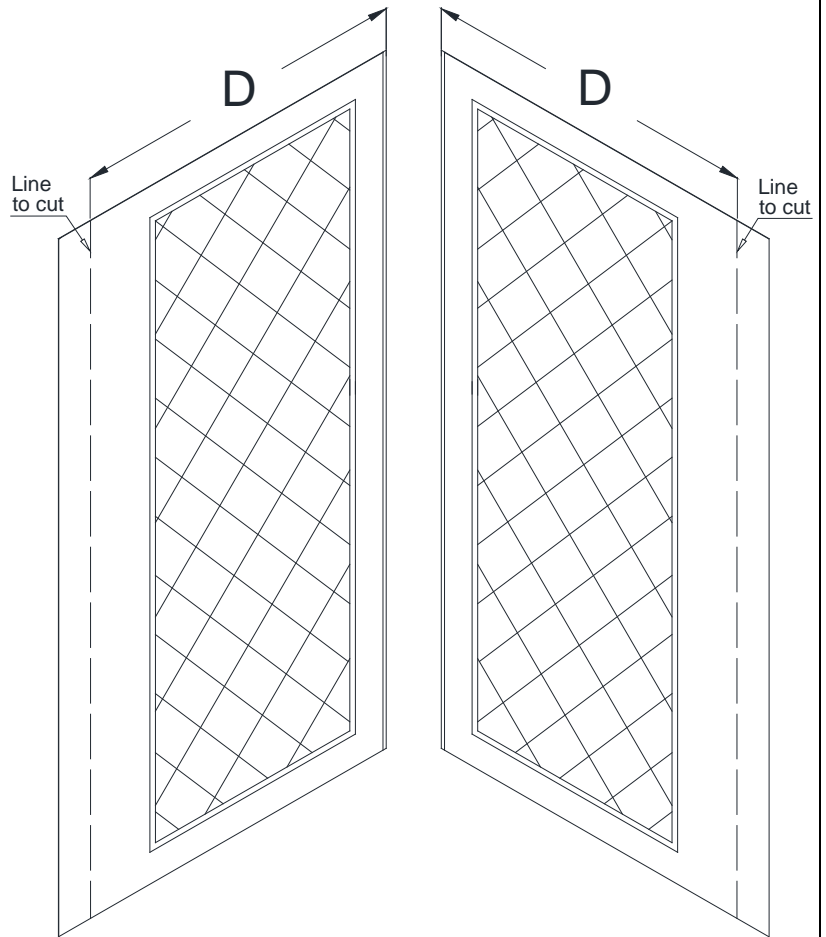


Fig. 11

10. Place the **Side panel (01)** on a flat piece of plywood or particle board. Use a sharp industrial knife and a T-square to score along the marked wide ends of the **Side panel** and continue scoring until you have fully cut through the panel.

See Fig. 12 and Fig. 13 for details.

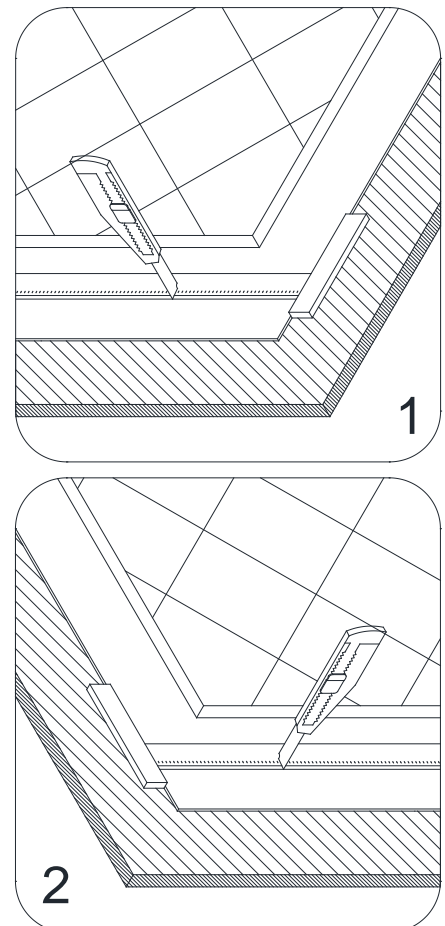


Fig. 12

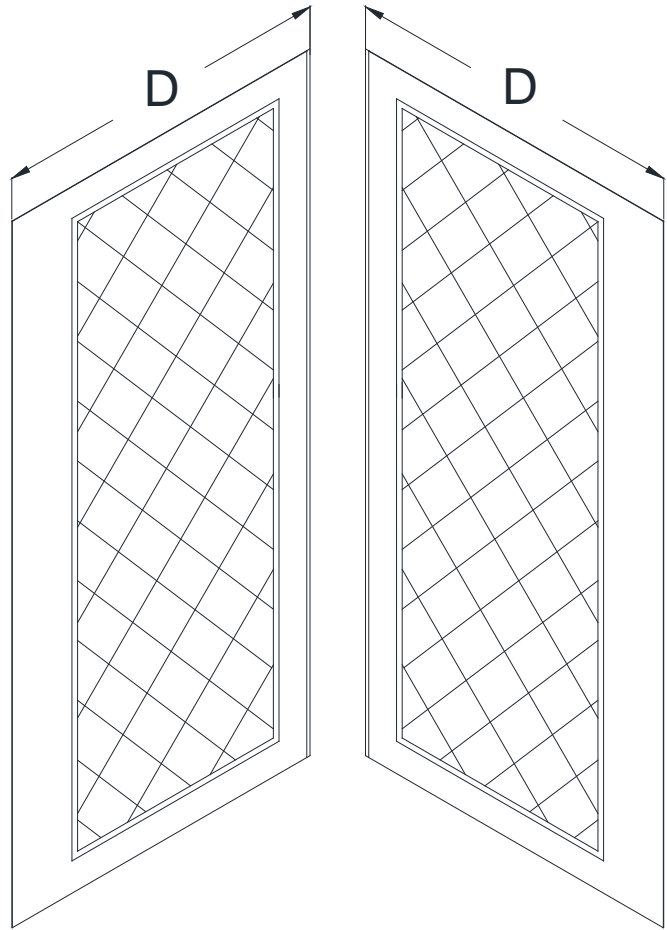


Fig. 13

11. Take exact measurements of the fixture on the wall:

- from the **1" (one inch)** line in the corner of the shower to the fixture: **(A, B, C)**
- from the bottom of the wall of the shower to the fixture: **(E, F)**.

See Fig. 14 for details.

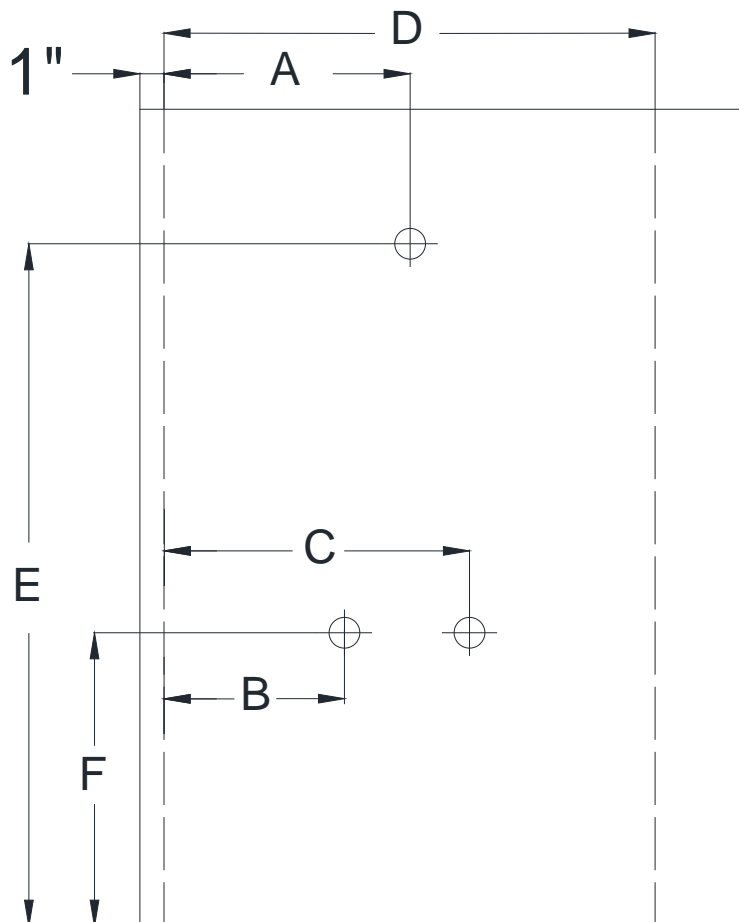


Fig. 14

12. Determine which **Side panel (01)** will be installed on the side wall with the fixture.  
Mark the fixture location on the **Side panel** according to the measurements taken in Step. 11.

See Fig. 15 for details.

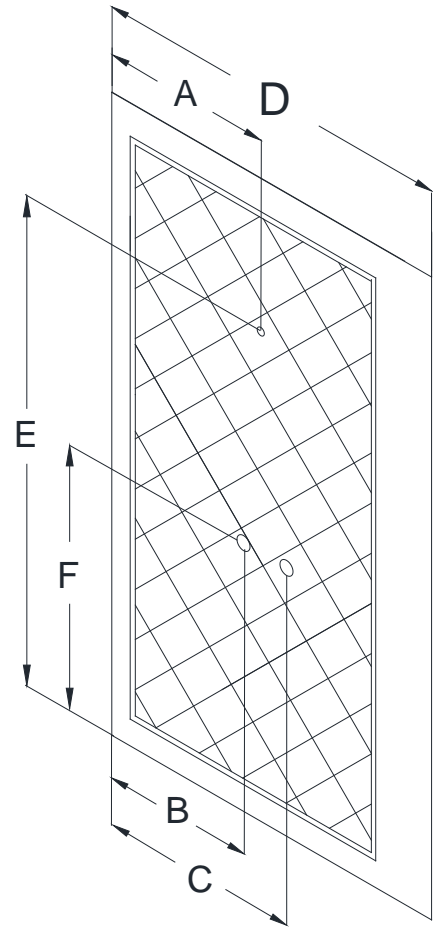


Fig. 15

13. Drill the holes for the fixtures in the **Side panel (01)** using the proper diameter saw bit or a handheld jig saw.

See Fig. 16 for details.

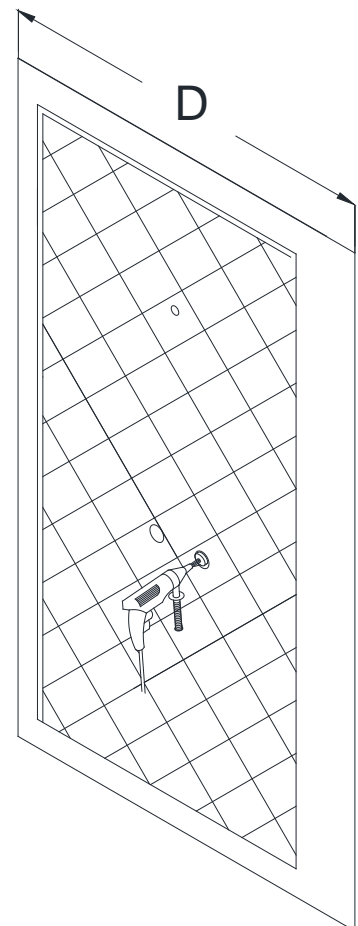


Fig. 16

## Acrylic Back Panel and Side Panel Installation Instruction

14. Attach the **Center cover (10)** vertically at the center point along the line (from Step. 3) and mark the drilling holes through the predrilled holes in the **Center cover**. Drill the holes using **Ø5/16"** drill bit and insert the **Wall Anchors (06)**.

See Fig. 17 for details.

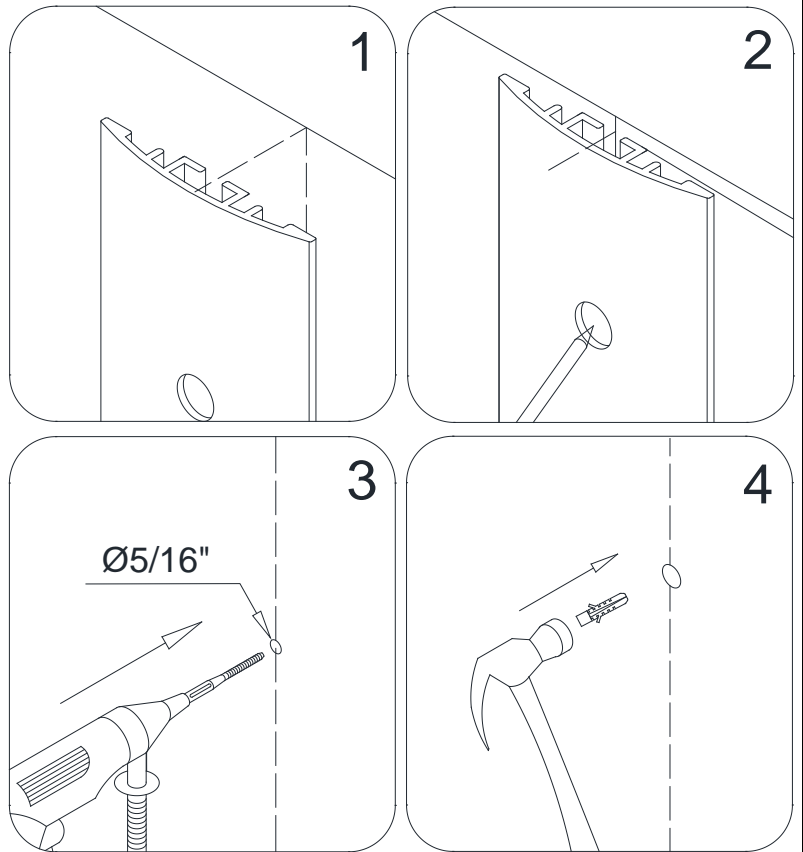


Fig. 17

15. Mount the **Center cover (10)** to the centerline of the back wall using the **Countersunk screws ST4.2×40 (07)**. Do not fully tighten the screws at this time; leave them loose for further installation.

See Fig. 18 and Fig. 19 for details

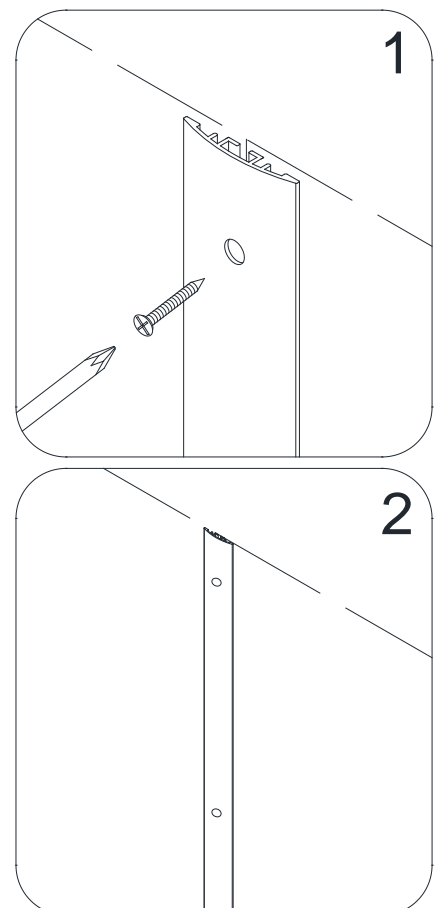


Fig. 18

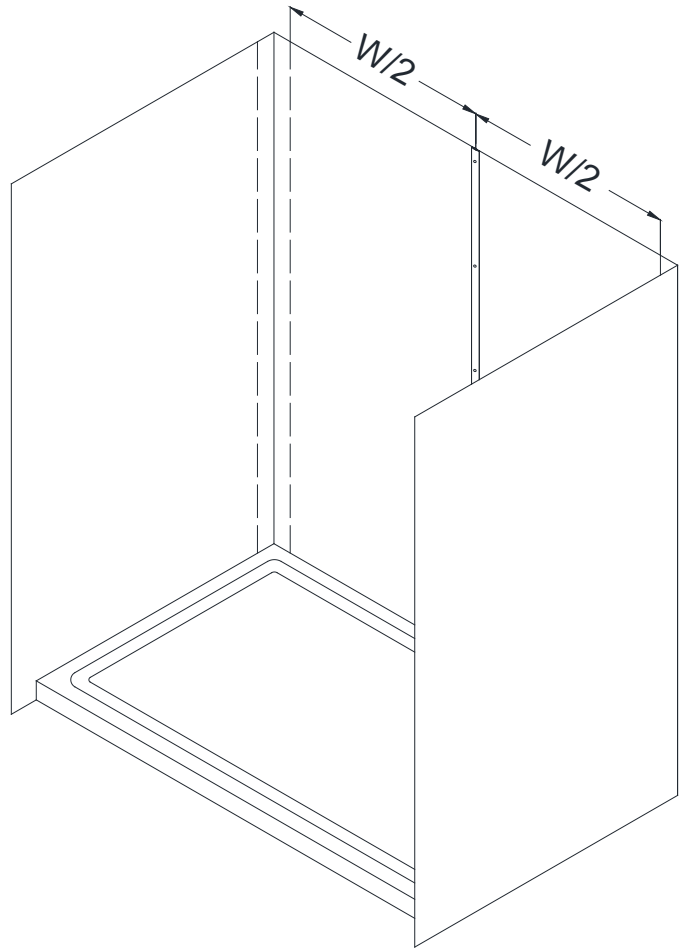


Fig. 19

16. Attach the **Corner cover (02)** to the corner of the shower and mark the drilling holes through the predrilled holes in the **Corner cover**.

Move aside the **Corner cover**, Drill the holes using **Ø5/16"** drill bit and insert the **Wall Anchors (06)**.

See Fig. 20 and Fig. 21 for details

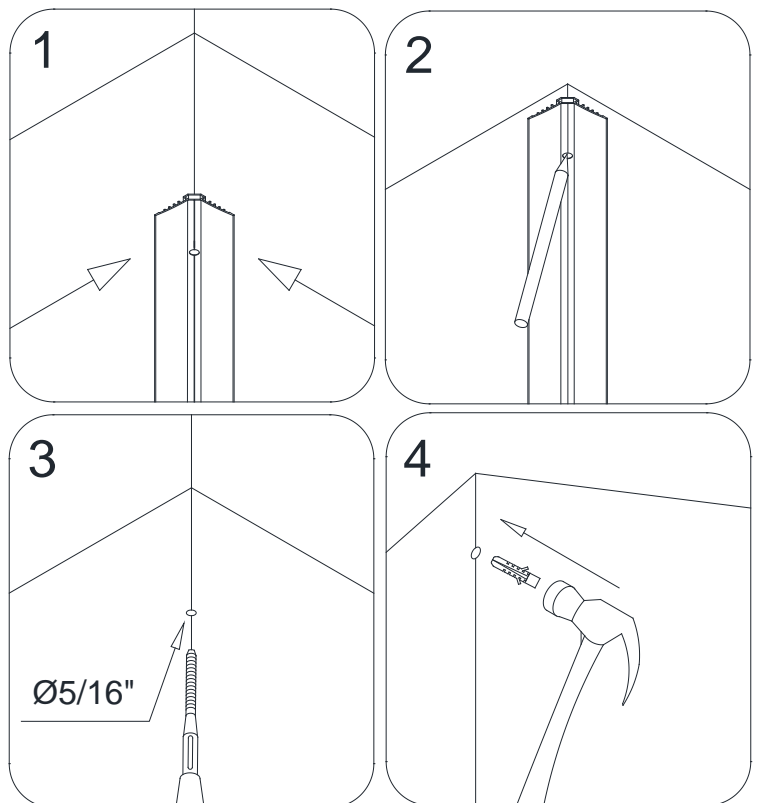


Fig. 20

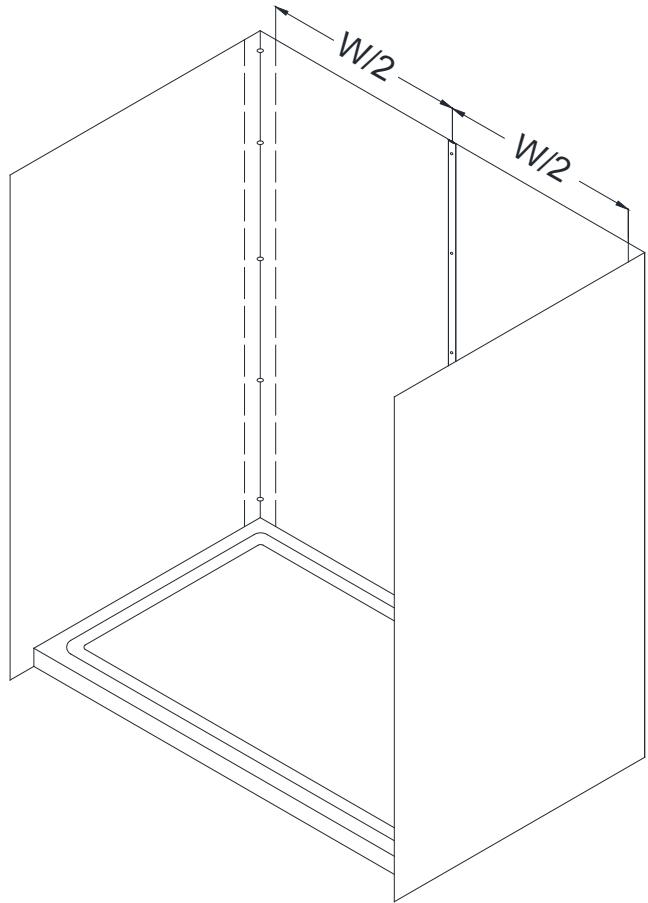


Fig. 21

**ATTENTION:**

Installation of all Acrylic panels must be finished before the sealant sets for easy leveling and adjustments.

17. Apply the sealant to the entire surface of the reverse side of the **Back panel (09)**.

See Fig. 22 for details.

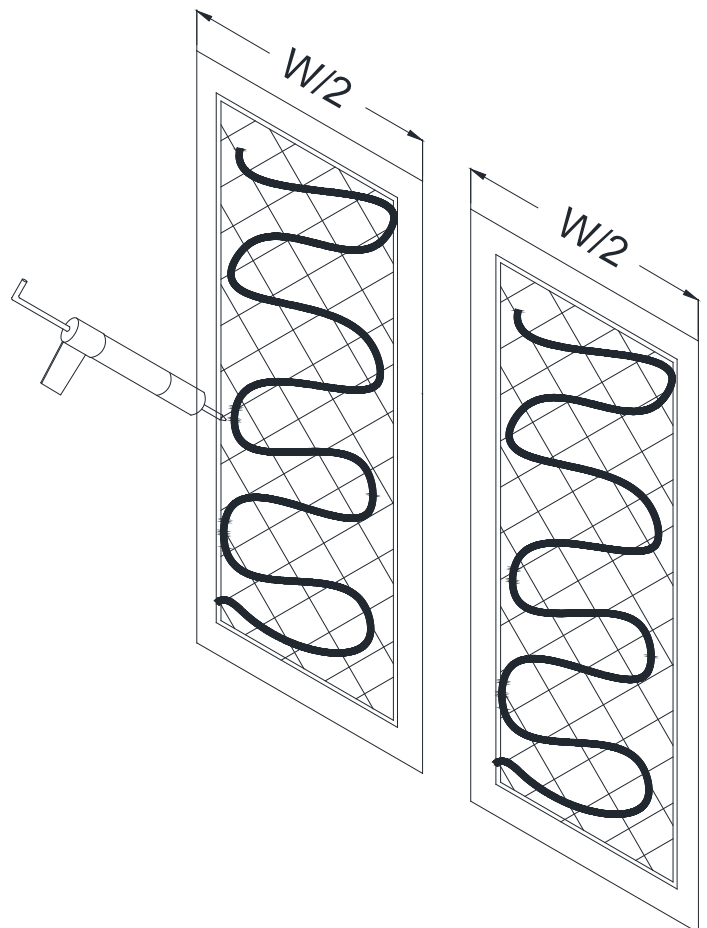


Fig. 22

18. Slide the right edge of the left **Back panel (09)** all the way behind the **Center cover (10)** and push the **Back panel** against the wall.

Slide the left edge of the right **Back panel (09)** all the way behind the **Center cover (10)** and push the **Back panel** against the wall as well.

You can adjust the position of the **Back panels** before the sealant sets.

Apply equal pressure to the whole surface of the **Back panels** from top to bottom.

See Fig. 23 and Fig. 24 for details.

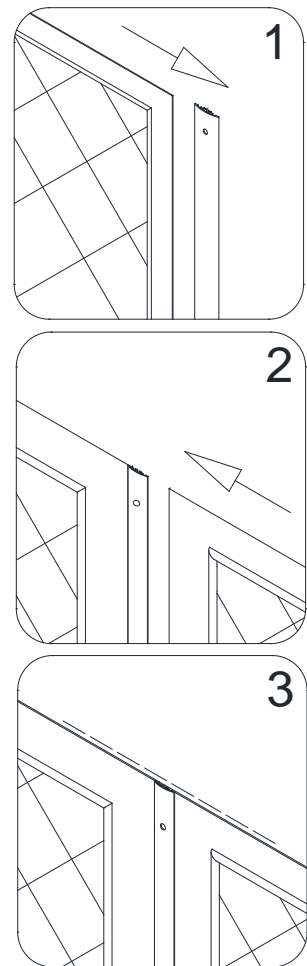


Fig. 23

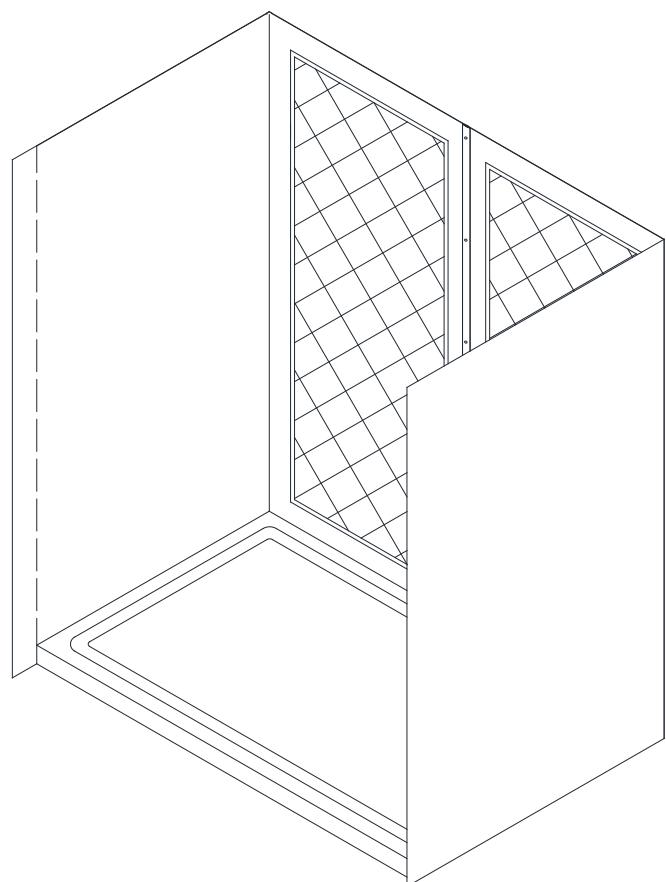


Fig. 24

19. Mount the **Corner cover (02)** to the corner of the shower using the **Countersunk screws ST4.2×40 (07)**.

Do not fully tighten the screws at this time; leave them loose for further installation.

See Fig. 25 for details

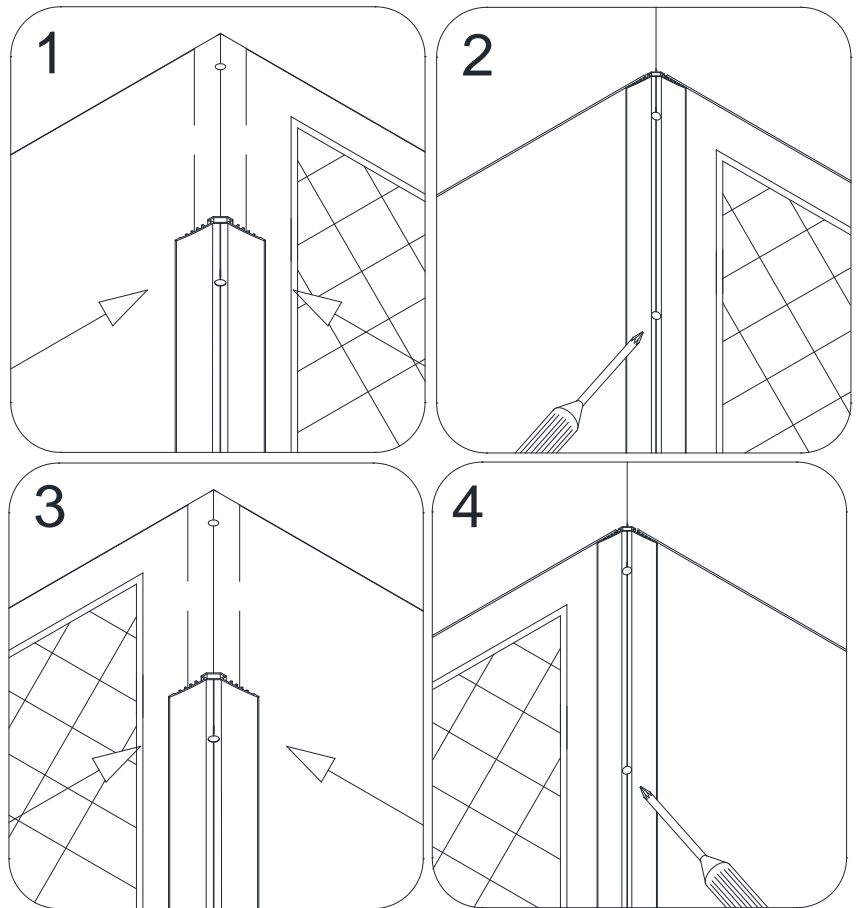


Fig. 25

20. Apply the sealant to the entire surface of the reverse side of the **Side panel (01)**. Also, apply the sealant around the drilled holes.

See Fig. 26 for details.

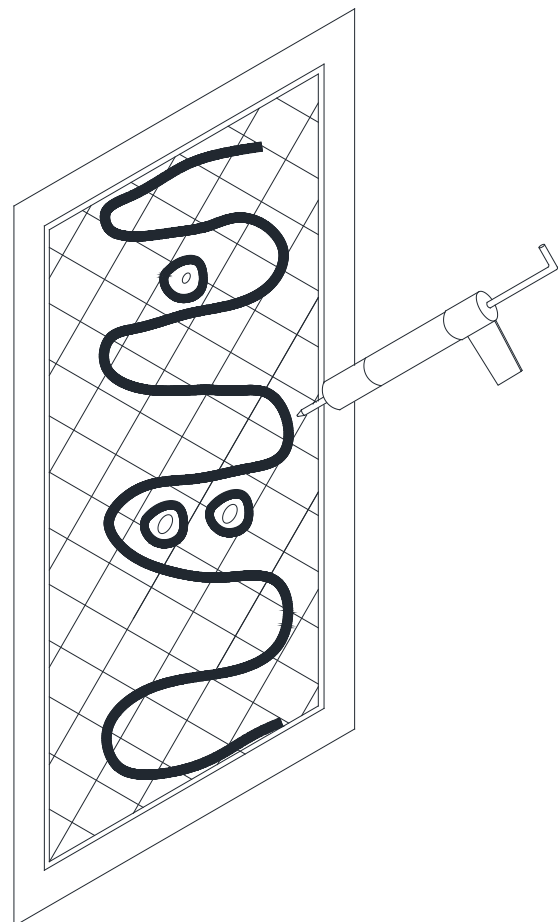


Fig. 26

21. Slide the narrow edge of the **Side panel (01)** behind the **Corner cover (02)**.

Align trimmed edge of the **Side panel** (from Step. 9) with the marked line on the wall (in Step. 7) and push the **Side panel** against the wall.

**NOTE:**

Make sure the drilled holes on the **Side panel** are also aligned with the fixtures on the wall.

See Fig. 27 for details.

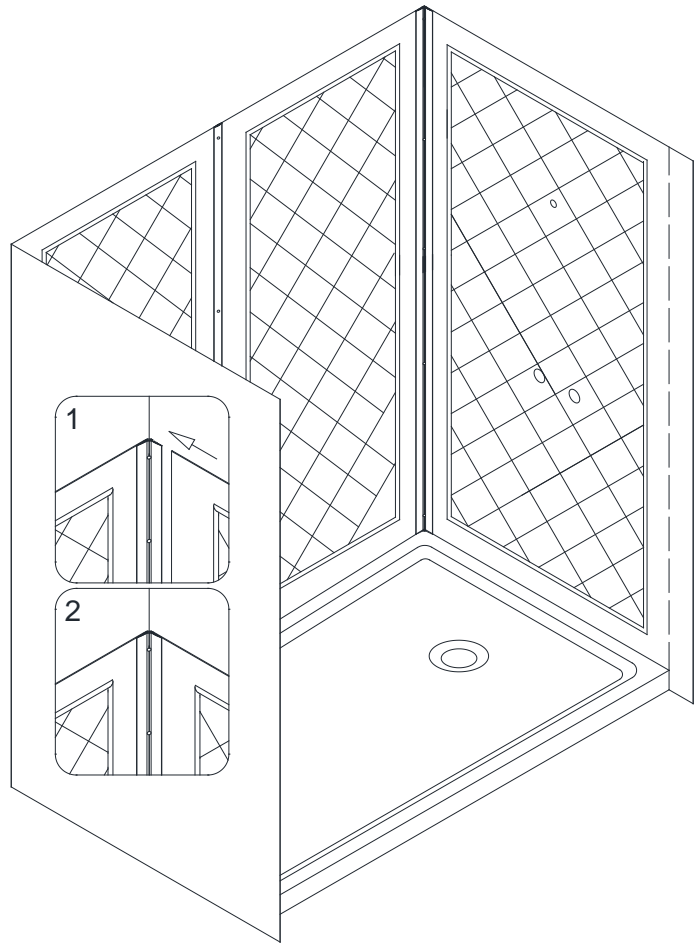


Fig. 27

22. Apply sealant to the entire surface of the reverse side of the other **Side panel (01)**.

See Fig. 26 for details.

Slide the narrow edge of the other **Side panel (01)** behind the **Corner cover (02)**.

Align trimmed edge of the **Side panel** (from Step. 9) with the marked line on the wall (in Step. 7) and push the **Side panel** against the wall.

Align the top of both **Side panels** and the **Back panel** before the sealant sets. Apply equal pressure to the whole surface of the Acrylic panels from top to bottom.

See Fig. 28 for details.

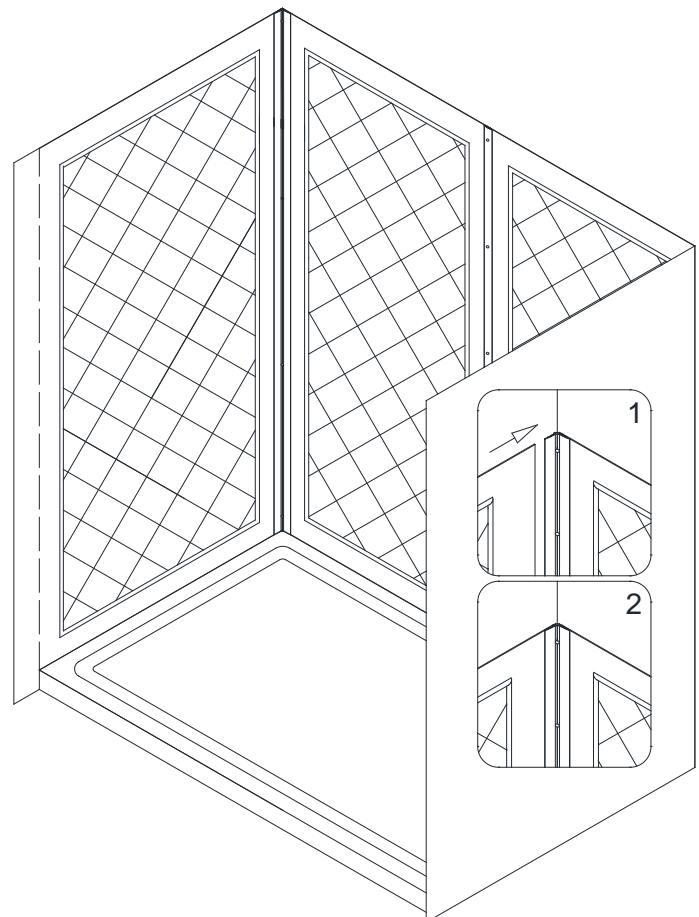


Fig. 28

23. Once all panels are aligned, fasten tight the **Corner cover (02)** to secure the **Side panels (01)** and **Back panels (09)**.

Cover the screw holes with the **Decorative covers (08)**.

See Fig. 29 for details.

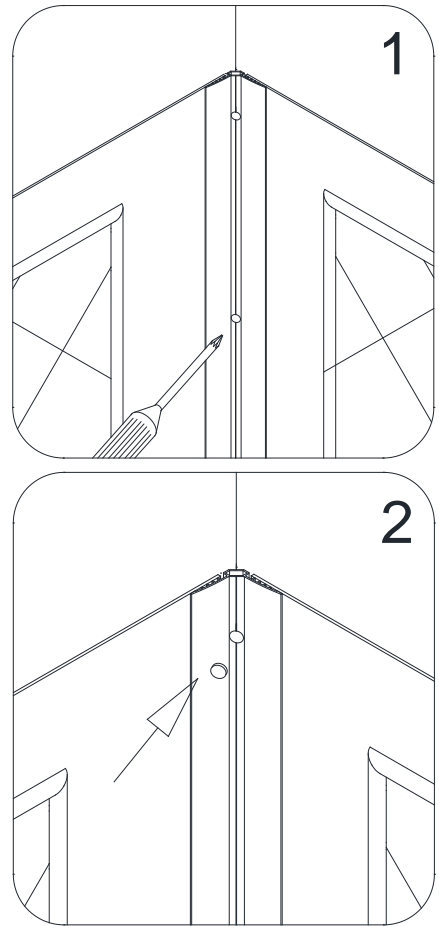


Fig. 29

24. Fasten tight the **Center cover (10)** to secure the **Back panels (09)**.

Cover the screw holes with the **Decorative covers (08)**.

See Fig. 30 for details.

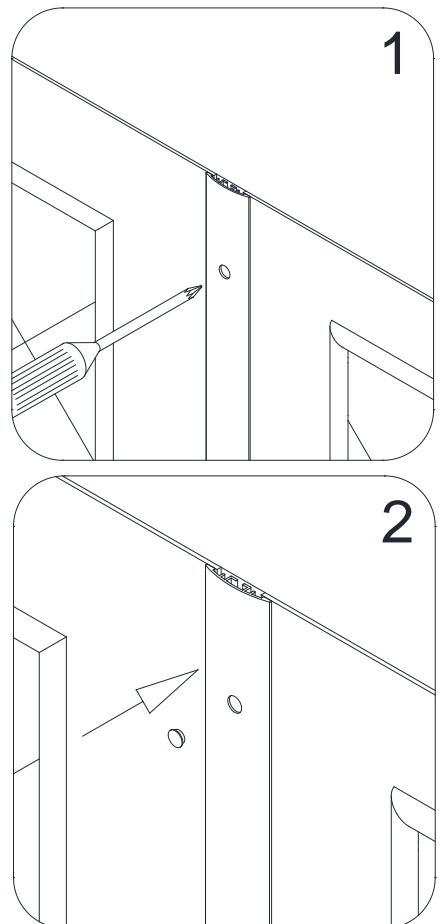


Fig. 30

**ATTENTION:**

**Prior to the next step, please be sure the part of the wall for installation of the Decorative edge molding (03) is clean, dry and free from soap, oil and any construction debris.**

25. Gently remove the plastic tape from the adhesive side of the **Decorative edge molding (03)** and firmly press it to the edge of the **Side panel (01)** from top to bottom.

See Fig. 31 for details.

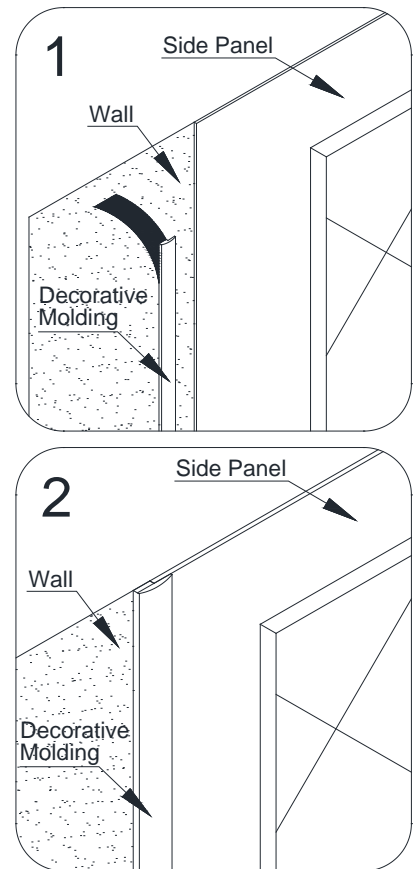


Fig. 31

26. Apply caulk along the top edges of the **Side panels (01)** and the **Back panels (09)**.  
Apply caulk along the connection of the bottom edges of the **Side panels** and bottom edges of the **Back panels** with the Shower base.

See Fig. 32 for details.

**ATTENTION:**

Installation of your "QWALL-5" Acrylic shower wall is complete.  
If you want to install **Glass shelves (05)** to your Shower, follow to the next step.

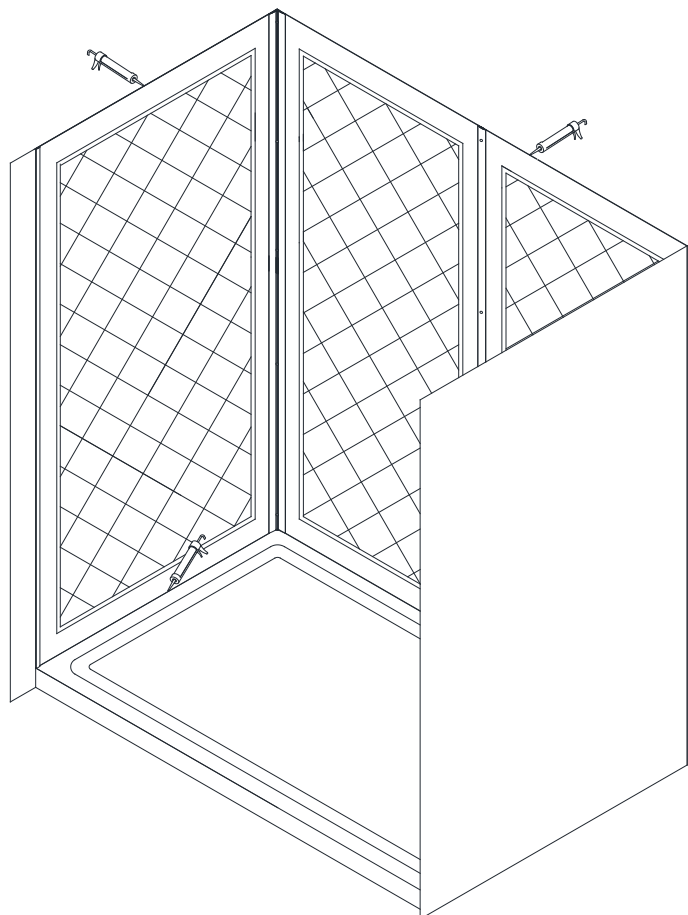


Fig. 32

## Glass Shelves Installation Instruction

27. Determine the desired height for the **Glass shelves (05)** and mark the locations on the wall.

**NOTE:**

The **Glass shelves** can be installed either two in one corner, or one in each.

See Fig. 33 for details.

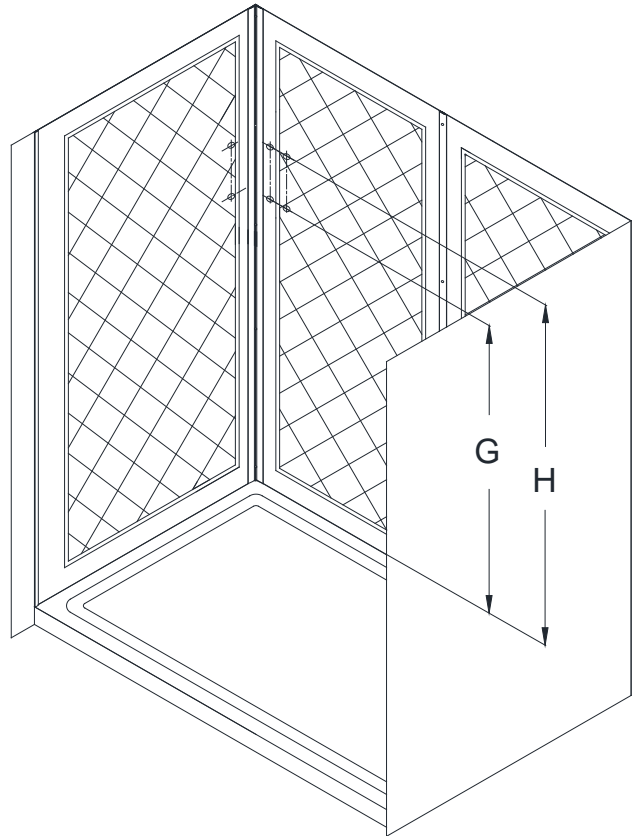


Fig. 33

28. Mark the location for the **Shelf brackets (04)** according to the measurements in Fig. 28 and Fig. 29.1.

Drill the holes using  $\text{Ø}5/16''$  drill bit and insert the **Wall anchors (06)**.

See Fig. 34 for details.

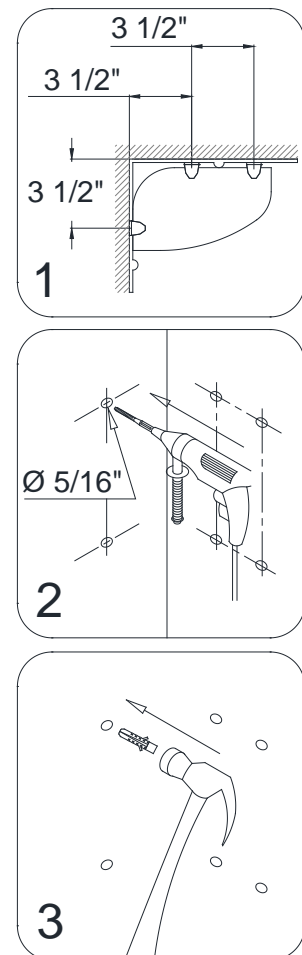


Fig. 34

29. Mount the **Shelf brackets (04)** to the wall using the **Countersunk screws ST4.2×40 (07)**.

**NOTE:** the padded set screw of the Glass bracket should be facing down.

Slide the upper **Glass shelf (05)** into the upper **Shelf brackets** and tighten the set screws at the bottom of the brackets. Then slide the bottom **Glass shelf** in place. Tighten the set screws on the bottom **Shelf brackets** as well.

See Fig. 35 and Fig. 36 for details.

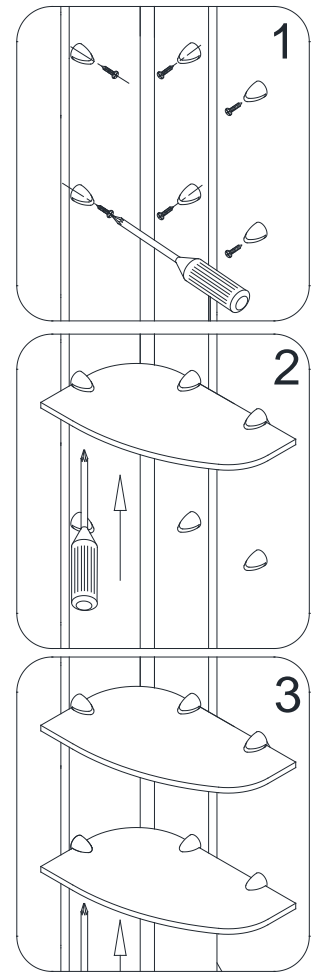


Fig. 35

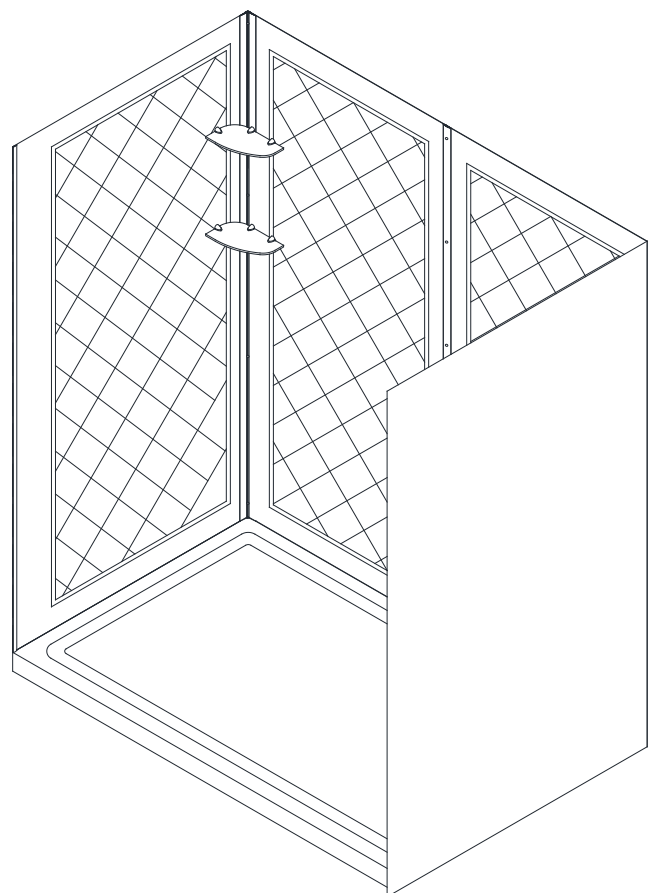


Fig. 36

## Product maintenance

To ensure long lasting life for your acrylic back walls, wipe them off after each use with a soft cloth. To clean the acrylic back walls use non-abrasive sprays or cream based cleaners. Never use abrasive cleansers, metal brushes or scrapers that could scratch or dull the surface.

### Acrylic cleaning procedure:

Acrylic should be cleaned with warm water and a clean, non-abrasive cloth. If desired, a mild, non-abrasive detergent may also be used. Use only light pressure when cleaning. Avoid rubbing dirt or grit into the surface. Turn the cloth often and replace with a clean cloth frequently. Dry by blotting gently with a clean, dry cloth.

### DO NOT USE:

Window cleaning sprays, alcohol, kitchen abrasive compounds, or solvents (such as acetone, gasoline, or thinners). Do not use ammonia based cleaning solutions on the acrylic as it will damage the surface.

### How do you get scratches out of Acrylic?

For light scratches, use a buffing compound such as a car wax. Use a buffer or lightly polish the surface by hand until scratches disappear.

## TABLE OF CONTENTS

Required Tools for Installation .....	Page: 2
Detailed Diagram with Packing List .....	Page: 3
Preparation for installation of <b>Back Panel (09)</b> .....	Pages: 4 – 7
Preparation for installation of <b>Side Panel (01)</b> .....	Pages: 8 – 14
<b>Back Panel</b> and <b>Side Panel</b> Installation Instruction .....	Pages: 14 – 19
<b>Glass Shelf (05)</b> Installation Instruction .....	Pages: 20 – 21



---

TEL: [866-731-2244](tel:866-731-2244)

FAX: [866-857-3638](tel:866-857-3638)

[WWW.BATHAUTHORITY.COM](http://WWW.BATHAUTHORITY.COM)

For more information on [DreamLine™ Shower Back Wall](http://www.BathAuthority.com) please visit [www.BathAuthority.com](http://www.BathAuthority.com)