



Manufactured by:  
Backyard Discovery  
3305 Airport Drive, Pittsburg, KS 66762  
800-856-4445

Basepoint Business Centre: Rivermead Drive, Westlea, Swindon SN5 7EX Phone: 0800-118-2476  
J.P. Coenstraat 7, The Bridge, The Hague, 2595 WP, Netherlands Phone: 08005678990

# 16x10 EVANSTON STEEL WALL-MOUNTED LOUVERED PERGOLA

MODEL #: 2407107



**WARNING**

Cancer and Reproductive Harm  
[www.P65Warnings.ca.gov](http://www.P65Warnings.ca.gov)



Please visit [www.backyarddiscovery.com](http://www.backyarddiscovery.com)  
For the most up to date assembly manual, to register your product, or to order  
replacement parts Para obtener instrucciones en español, visite  
[www.backyarddiscovery.com](http://www.backyarddiscovery.com)



EASY STEP-BY-STEP  
3D INTERACTIVE INSTRUCTIONS  
DOWNLOAD THE FREE APP



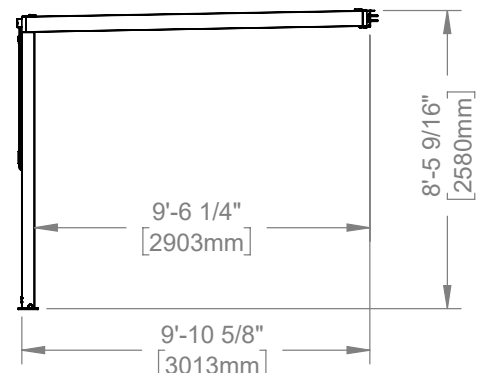
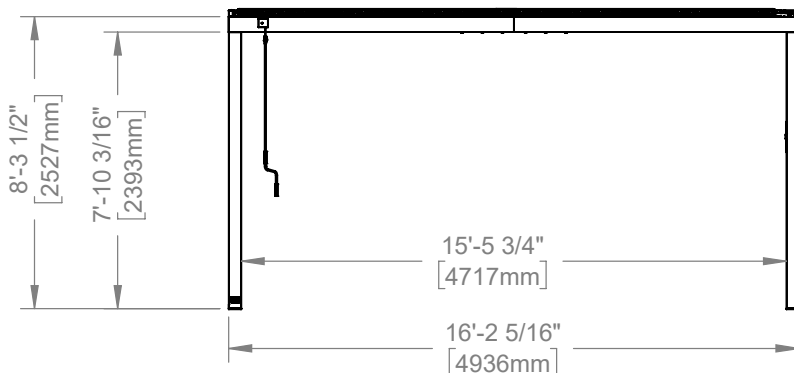
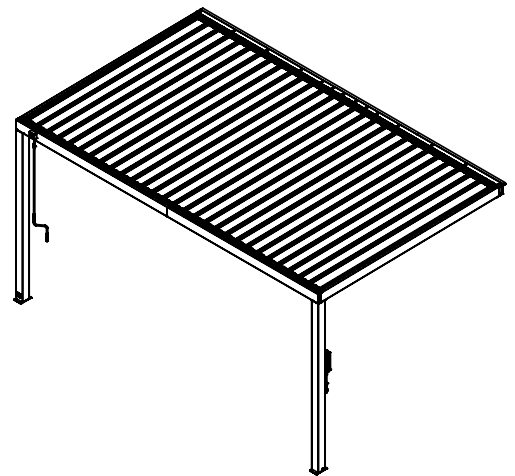
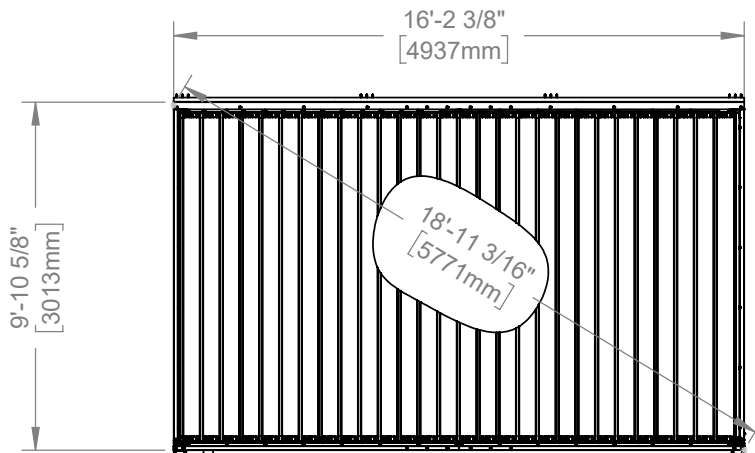
# OWNER'S MANUAL - BASIC SETUP DIMENSIONS & ASSEMBLY NOTES

It is critically important that you start with square and level footings, concrete pad or deck to attach your structure.

- Pay close attention to the items needed for each step. Make sure you are using the correct hardware for each step. Using incorrect hardware may result in improper assembly
- Remember to double check for underground utilities and overhead electrical lines

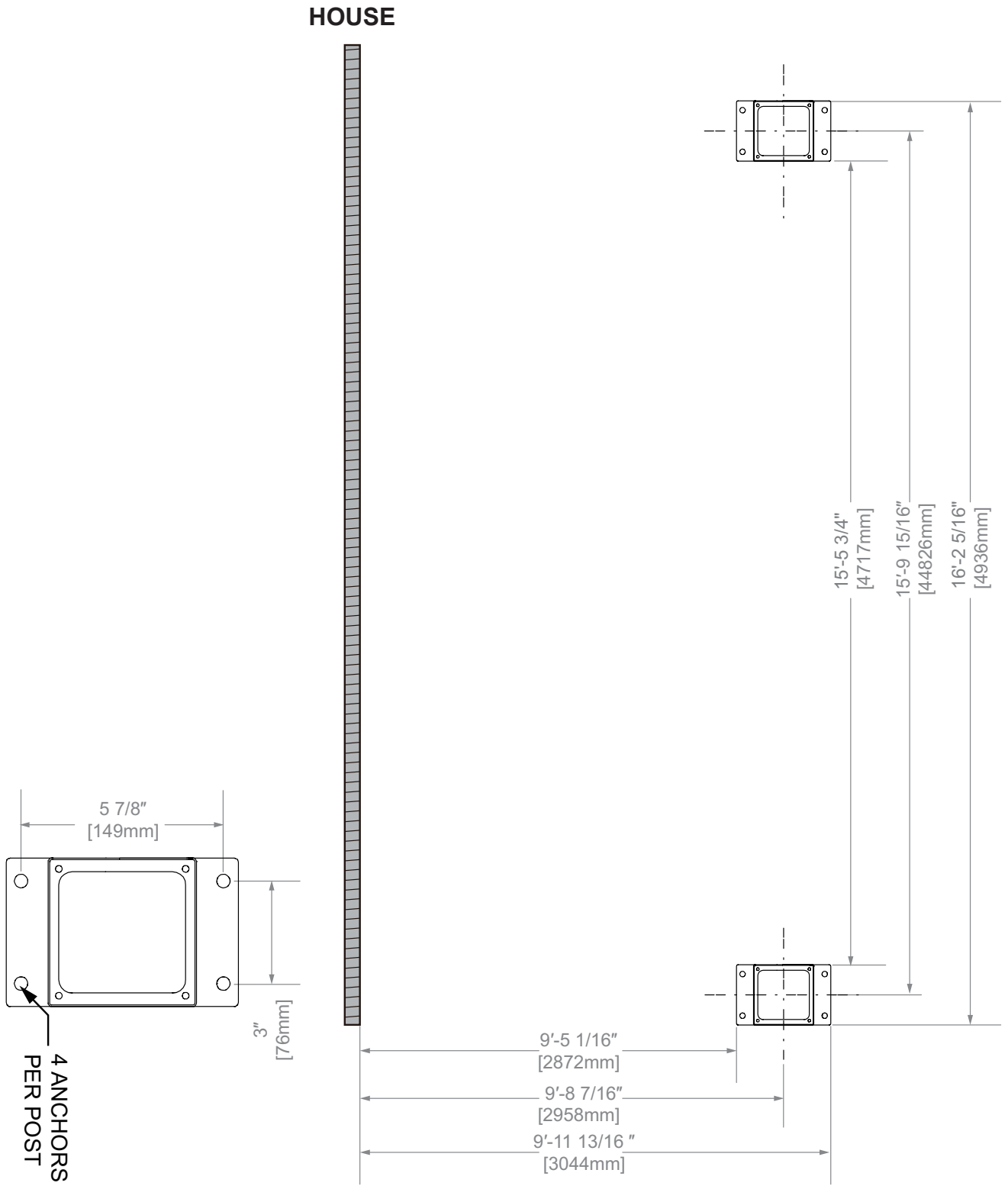
**Post mounts are provided with your structure which allows you to permanently install your structure to a pre-existing or new wood or concrete surface. See Anchor Instructions for further details and recommendations.**

- The hardware to attach the post mounts to the structure is included.
- The hardware to mount the structure permanently to a concrete surface is included.
- The hardware to attach the structure permanently to a house is included.
- The hardware to mount the structure permanently to a wood deck is NOT included and will need to be purchased separately. You must ensure there is ample structural support under the deck before permanently attaching.



# OWNER'S MANUAL - ANCHORING LAYOUT

**NOTE: DIMENSIONS ARE TO ANCHOR PLATE ON BOTTOM OF POST EXCEPT WHERE NOTED.**



# OWNER'S MANUAL - PARTS IDENTIFICATION

METAL COMPONENTS (NOTE TO SCALE)



B01 BEAM - A4M03480  
(x1) 1 7/16"x5 1/4"x114 7/8" (36x134x2918)



B02 BEAM - A4M03479  
(x1) 1 7/16"x5 1/4"x114 7/8" (36x134x2918)



B03 BEAM - A4M02575  
(x1) 1 7/16"x5 1/4"x97 3/16" (36x134x2468)



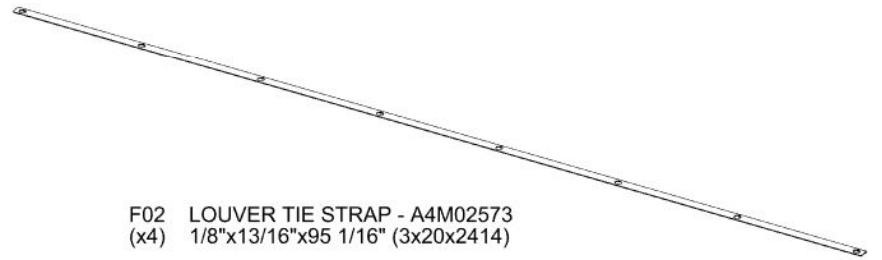
B04 BEAM - A4M02576  
(x1) 1 7/16"x5 1/4"x97 3/16" (36x134x2468)



B05 BEAM - A4M04106  
(x1) 1 7/16"x5 1/4"x97 3/16" (36x134x2468)



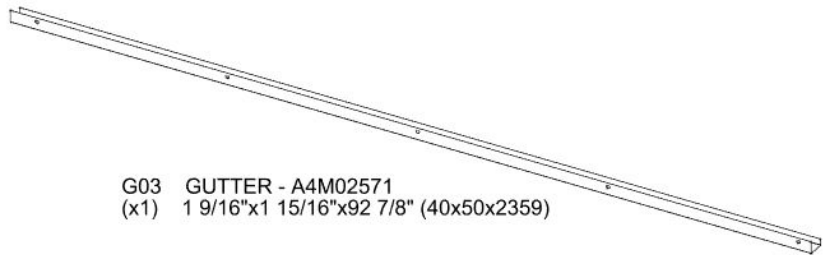
B06 BEAM - A4M04105  
(x1) 1 7/16"x5 1/4"x97 3/16" (36x134x2468)



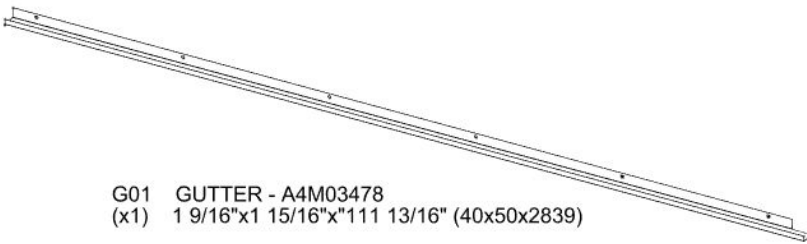
F02 LOUVER TIE STRAP - A4M02573  
(x4) 1/8"x13/16"x95 1/16" (3x20x2414)



F01 FLAT BAR - A4M02572  
(x4) 1/16"x1"x92 13/16" (2x25x2357)



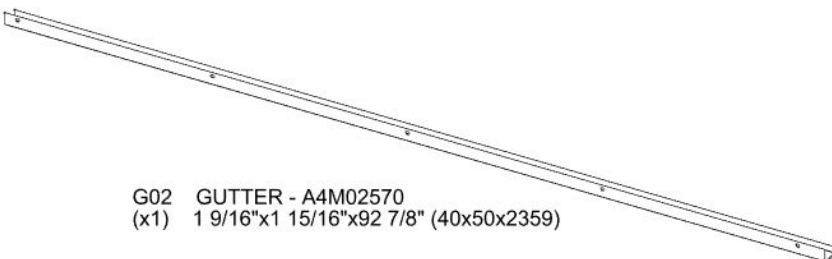
G03 GUTTER - A4M02571  
(x1) 1 9/16"x1 15/16"x92 7/8" (40x50x2359)



G01 GUTTER - A4M03478  
(x1) 1 9/16"x1 15/16"x111 13/16" (40x50x2839)



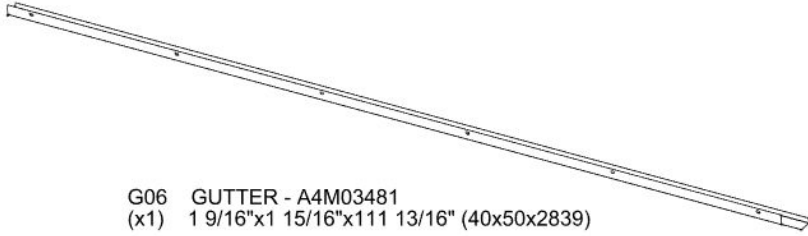
G05 GUTTER SPLICE - A4M02004  
(x1) 1 7/16"x2 1/16"x3 15/16" (36x52.5x100)



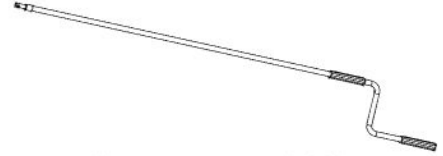
G02 GUTTER - A4M02570  
(x1) 1 9/16"x1 15/16"x92 7/8" (40x50x2359)

# OWNER'S MANUAL - PARTS IDENTIFICATION

## METAL COMPONENTS (NOTE TO SCALE)



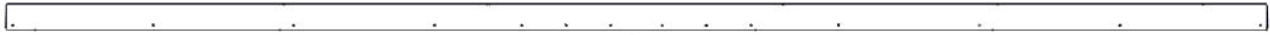
G06 GUTTER - A4M03481  
(x1) 1 9/16"x1 15/16"x11 13/16" (40x50x2839)



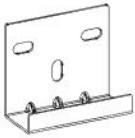
H01 HANDLE - A4M04022  
(x1)



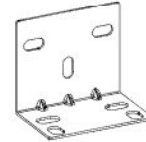
J1 SPLICE BRACKET - A4M02230  
(x1) 1 5/16"x5 3/16"x39 3/8" (33.2x131.2x1000)



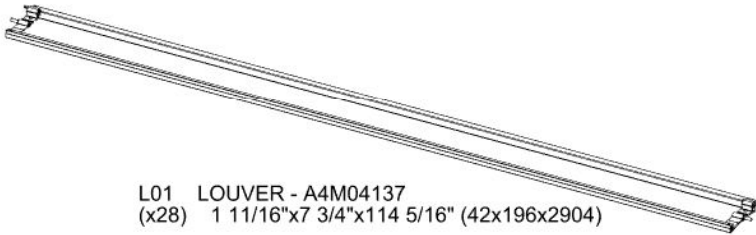
K1 WEATHER STRIP - A6P01161  
(x1) 1/16"x3 15/16"x186 11/16" (1.6x100x4742)



K03 CENTER WALL BRACKET - A4M03482  
(x2) 2 11/16"x5 3/16"x6" (69x131x152)



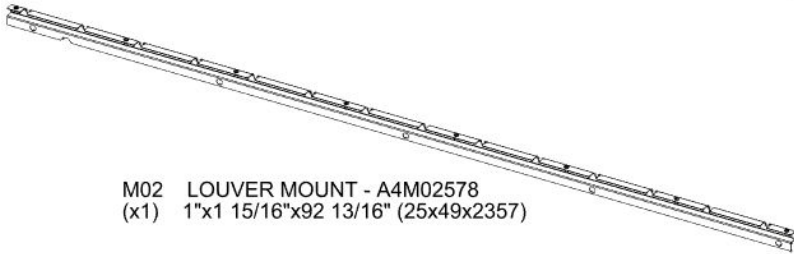
K04 CORNER WALL BRACKET - A4M03483  
(x2) 3 15/16"x5 1/8"x6" (99x131x152)



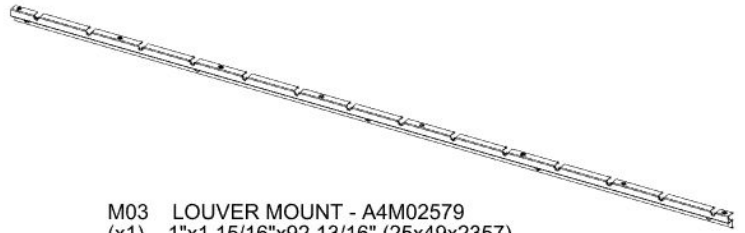
L01 LOUVER - A4M04137  
(x28) 1 11/16"x7 3/4"x114 5/16" (42x196x2904)



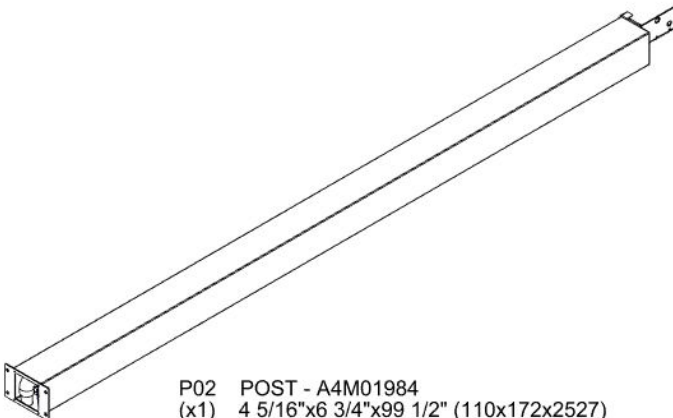
M01 LOUVER MOUNT - A4M02577  
(x2) 1"x1 15/16"x92 13/16" (25x49x2357)



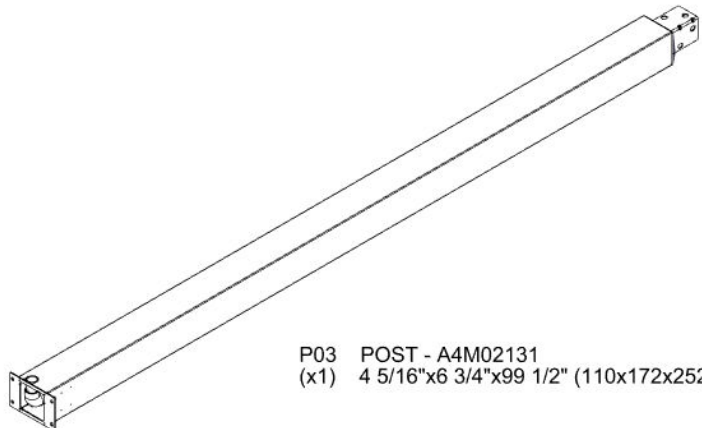
M02 LOUVER MOUNT - A4M02578  
(x1) 1"x1 15/16"x92 13/16" (25x49x2357)



M03 LOUVER MOUNT - A4M02579  
(x1) 1"x1 15/16"x92 13/16" (25x49x2357)



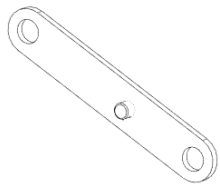
P02 POST - A4M01984  
(x1) 4 5/16"x6 3/4"x99 1/2" (110x172x2527)



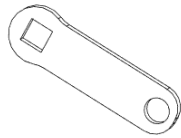
P03 POST - A4M02131  
(x1) 4 5/16"x6 3/4"x99 1/2" (110x172x2527)

# OWNER'S MANUAL - PARTS IDENTIFICATION

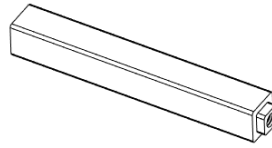
METAL COMPONENTS (NOTE TO SCALE)



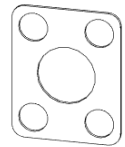
F03 LINKAGE STRAP - A4M02229  
(x1) 1/8"x11/16"x3 13/16" (3x17x97)



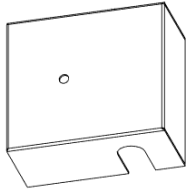
F04 LINKAGE STRAP - A4M02225  
(x1) 1/8"x13/16"x2 5/8" (3x20x66)



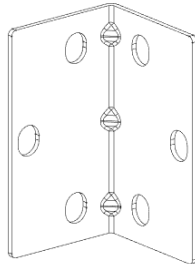
F05 LOUVER DRIVE AXLE - A4M02226  
(x1) 1/2"x1/2"x3 3/4" (13.0x13.0x95)



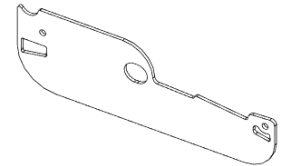
F06 SPACER - A4M02227  
(x1) 1/16"x2 3/16"x2 3/4" (1.5x56x70)



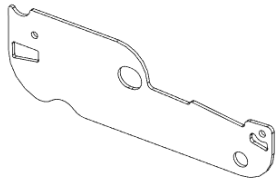
F07 COVER - A4M02228  
(x1) 1 9/16"x2 7/8"x3 1/4" (39.5x73x82)



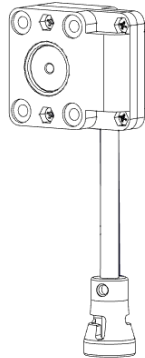
CB01 POST BRACKET - A4M01983-03  
(x2) 2 15/16"x2 15/16"x5 1/4" (74.5x74.5x134)



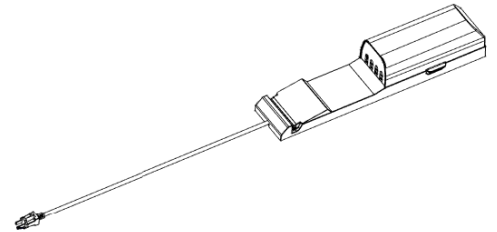
L03 LOUVER SIDE PLATE - A4M02334  
(x55) 1/16"x2 3/16"x6 9/16" (2x55x167)



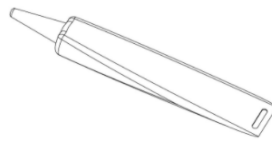
L02 LOUVER DRIVE SIDE PLATE - A4M02134  
(x1) 1/16"x2 3/16"x6 9/16" (2x55x167)



L04 LOUVER MECHANISM - A4M02132  
(x1)



9205413 ELECTRICAL ENCLOSURE  
(x1)



A6P00796 SILICONE  
(x1)



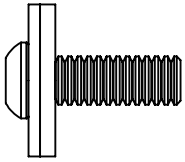
T01 TEMPLATE - W4L20788  
(x2) 1/8"x5 1/2"x55 1/8" (3x140x1400)



T02 TEMPLATE - W4L20789  
(x1) 1/8"x5 1/2"x86 1/16" (3x140x2186)

# OWNER'S MANUAL - PARTS IDENTIFICATION

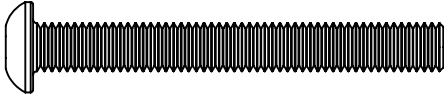
## HARDWARE COMPONENTS



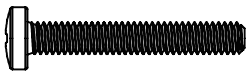
**H101202 | TORX PAN HEAD 1/4-20x3/4 ASSY**  
(x130) | 1/4-20x3/4 ASSY



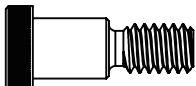
**H101101 | TORX PAN HEAD**  
(x1) | 1/4-20x3/4" BLK



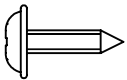
**H101126 | TORX PAN HEAD**  
(x4) | 1/4-20x2 1/8" BLK



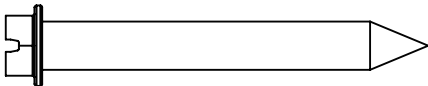
**H101187 | BOLT PPH**  
(x1) | 8-32x1 1/8" BLK



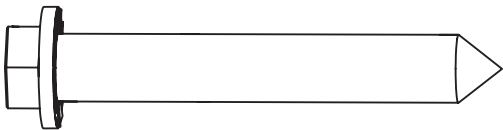
**H101189 | LOW PROFILE SHOULDER BOLT**  
(x2) | 1/4-20x3/8" BLK



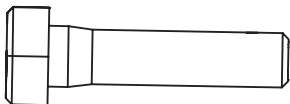
**H100408 | SCREW PWH**  
(x112) | 8x1/2 BLK



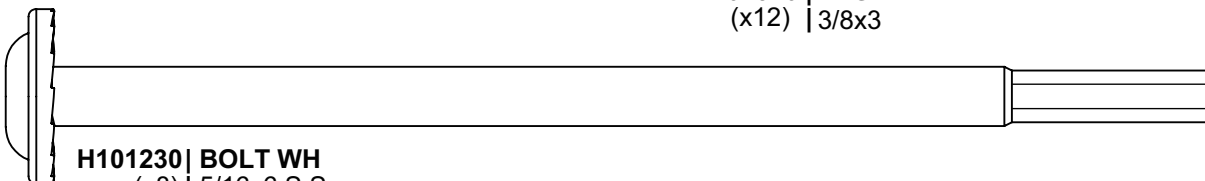
**H101305 | CONCRETE ANCHOR**  
(x8) |



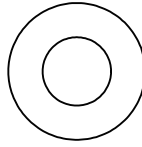
**H101165 | CONCRETE ANCHOR**  
(x12) | 3/8x3" BLK



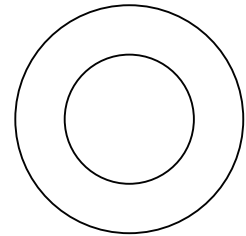
**H100481 | BOLT HEX**  
(x10) | 5/16x1 1/4 BLK



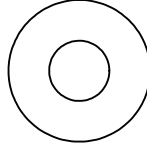
**H101230 | BOLT WH**  
(x8) | 5/16x6 S.S



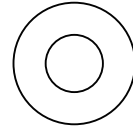
**H100474 | WASHER FLAT**  
(x5) | 9x19 BLK



**H100497 | WASHER FLAT**  
(x12) | 17x30 BLK



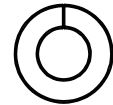
**H100630 | WASHER FLAT**  
(x8) | 8x19 BLK



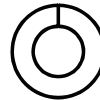
**H101316 | WASHER FLAT**  
(x10) | 8.5x30 BLK



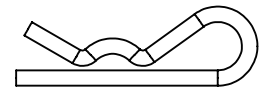
**H100653 | NUT LOCK**  
(x2) | 1/4 BLK



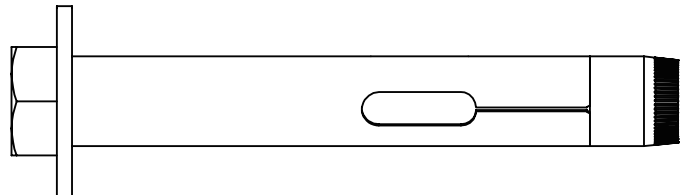
**H100477 | WASHER SPLIT**  
(x10) | 5/16 BLK



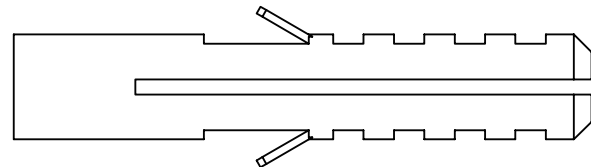
**H100774 | WASHER SPLIT**  
(x1) | 1/4 BLK



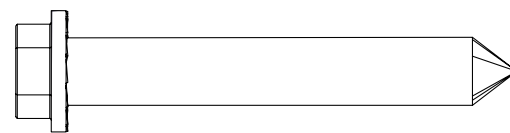
**H101161 | COTTER PIN**  
(x56) |



**H101313 | EXPANSION ANCHOR**  
(x12) |



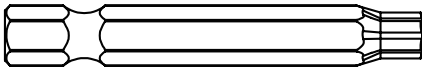
**H101311 | PLASTIC ANCHOR**  
(x12) | 3/8



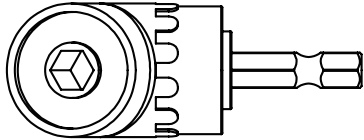
**H101310 | LAG HEX BLK**  
(x12) | 3/8x3

# OWNER'S MANUAL - PARTS IDENTIFICATION

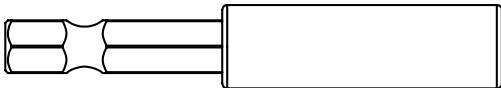
## HARDWARE COMPONENTS



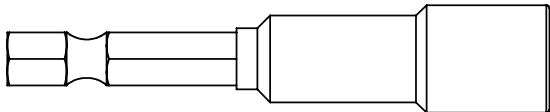
**H100147 | TORX BIT**  
(x1) | T-30



**H101114 | RIGHT ANGLE  
DRILL ADAPTER**  
(x1)



**H101100 | MAGNETIC DRIVER**  
(x1)



**H101106 | SOCKET DRIVER**  
(x1)



**H100114 | TORX BIT**  
(x1) | T-30

# PRE-ASSEMBLY STEP 1 - SORTING PARTS

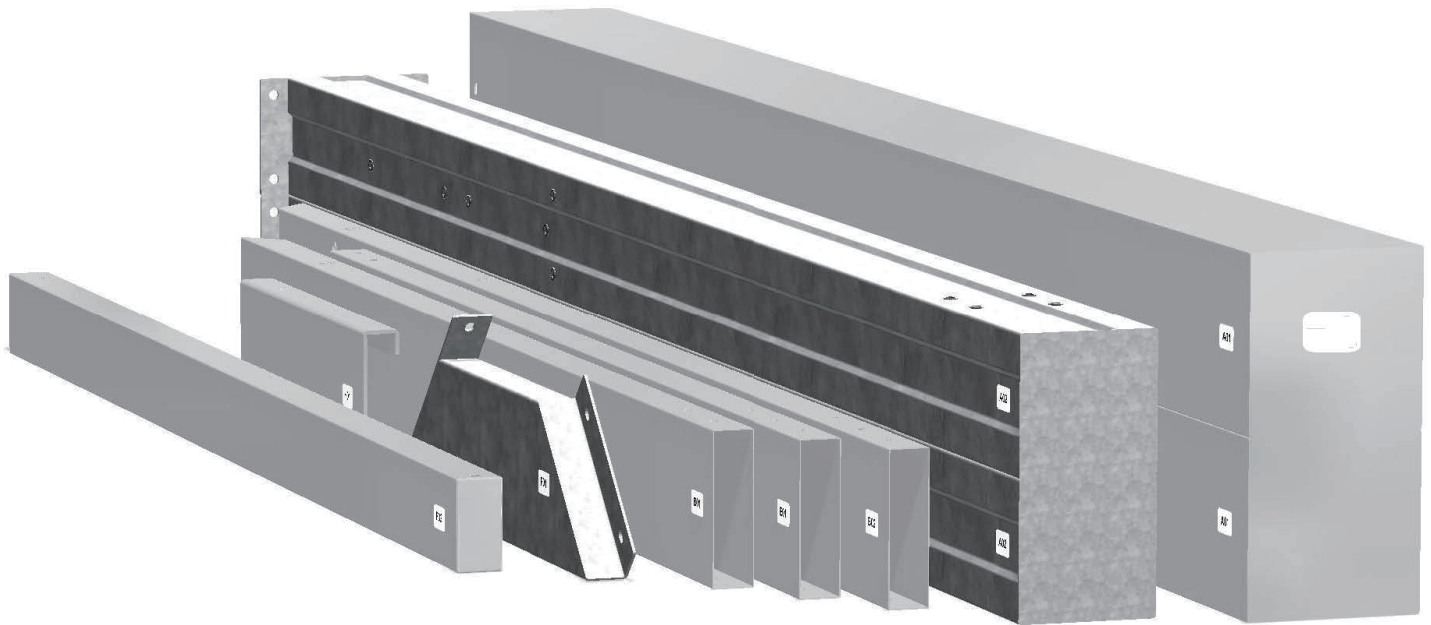
It is critical for ease of assembly that you take the time to sort and organize the parts and hardware.

---

## METAL PARTS:

- Organize metal parts by the three-digit, alpha-numeric number stamped on each part (ex. P01).
- If there are multiple parts with the same stamped number, stack those pieces together.
- Stamps can be found on the flat surface of the parts or on the end of the parts.
- Allow yourself plenty of room - the parts can take up a significant amount of space.

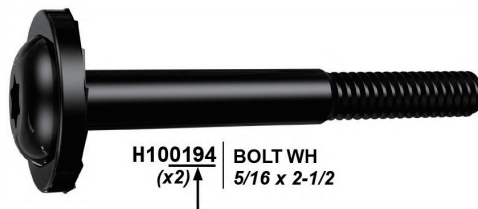
**NOTE: CARTONS ARE NOT ORGANIZED BY PART NUMBER.  
IT IS RECOMMENDED TO LEAVE LOUVER ASSEMBLIES IN BOX UNTIL NEEDED.**



---

## HARDWARE PARTS:

- We recommend that you have a separate table to organize the hardware.
- Hardware bags are printed with a seven-digit, alpha-numeric part number.
- You can organize your hardware by part number or group by hardware type (e.g. bolts, nuts, etc.).
- During assembly you only need to reference the last four digits of the number.



# PRE-ASSEMBLY STEP 2 - TOOLS REQUIRED



Cordless Drill or  
Electric Drill



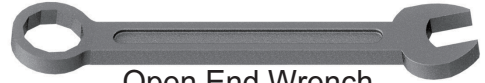
Drill Attachments:  
Phillips Head



1/8", 3/16", 3/8" &  
7/16" Drill Bits



Phillips Screw Driver



Open End Wrench  
7/16"



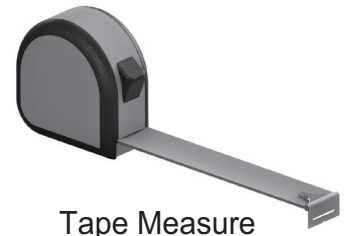
3/8" Drive Ratchet, 1/2" &  
7/16" STD Sockets 1/2" & 7/16"  
Deep Sockets



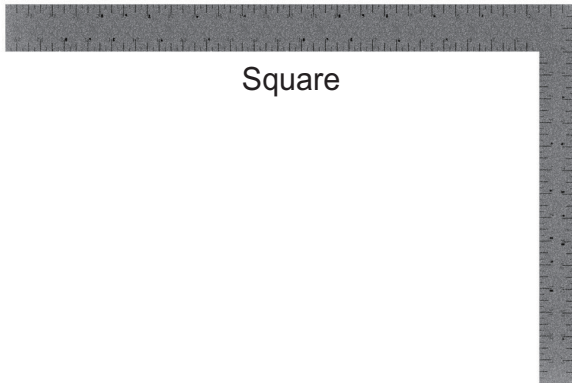
Claw Hammer



Rubber Mallet -  
Optional



Tape Measure



Square

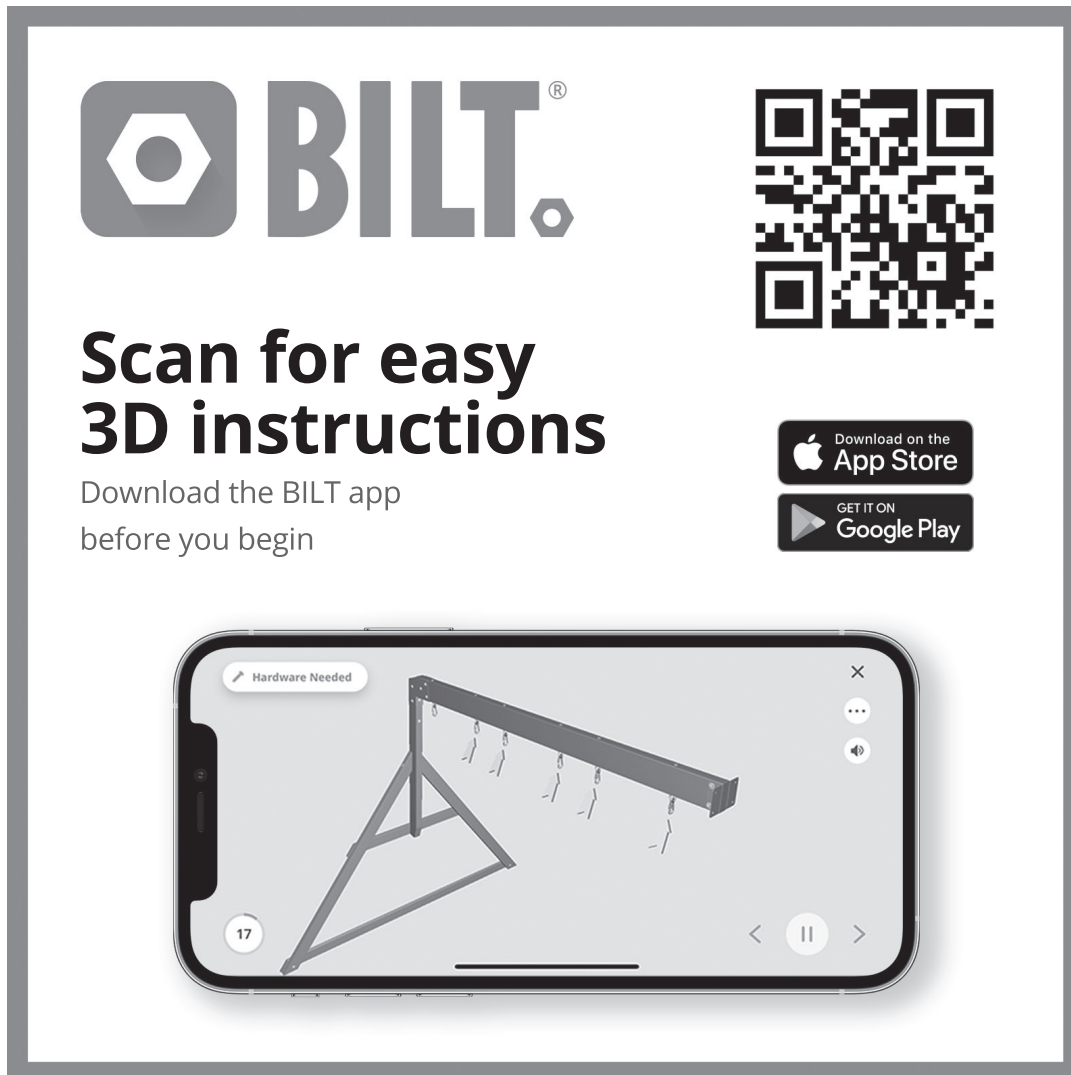


Level 24"

# PRE-ASSEMBLY STEP 3 - CHOOSE YOUR ASSEMBLY METHOD

There are several types of assembly instructions available to you.

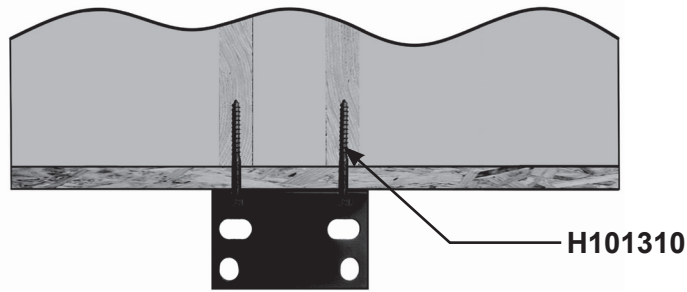
1. Printed Assembly Manual included with your set
2. BILT APP - 3D interactive instructions
3. Combination of the Printed Manual and BILT APP (Note: Step numbers can differ between the two methods)



The graphic is a white rectangular area with a grey border. At the top left is the BILT logo, which consists of a grey hexagon with a white hexagon inside, followed by the word "BILT." in a bold, sans-serif font with a registered trademark symbol. To the right of the logo is a large QR code. Below the logo and QR code, the text "Scan for easy 3D instructions" is written in a large, bold, black font. Underneath this, in a smaller black font, it says "Download the BILT app before you begin". To the right of this text are two dark grey buttons: the top one has the Apple logo and the text "Download on the App Store", and the bottom one has the Google Play logo and the text "GET IT ON Google Play". At the bottom of the graphic is a smartphone displaying a 3D assembly instruction. The screen shows a grey metal frame with a horizontal bar and several hanging components. The interface includes a "Hardware Needed" button at the top left, a close button (X) at the top right, a menu button (three dots) and a volume icon below it, and a page number "17" in a circle at the bottom left. At the bottom center of the screen are navigation arrows and a pause button.

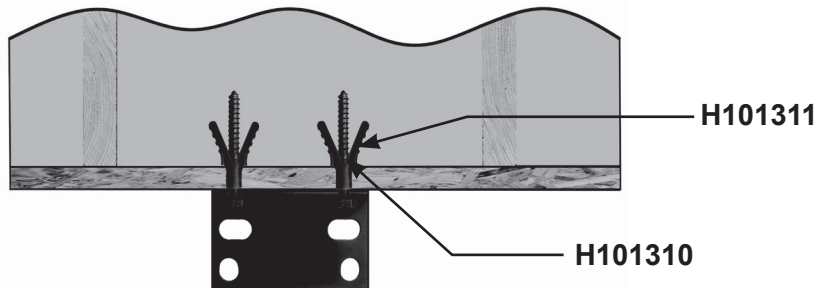
# OWNER'S MANUAL - WALL ATTACHMENT TYPES

Determine which wall attachment type works best for your application. If unknown consult a licensed contractor. The recommended hardware below is provided. Backyard Discovery does not assume responsibility for any damages to your house.



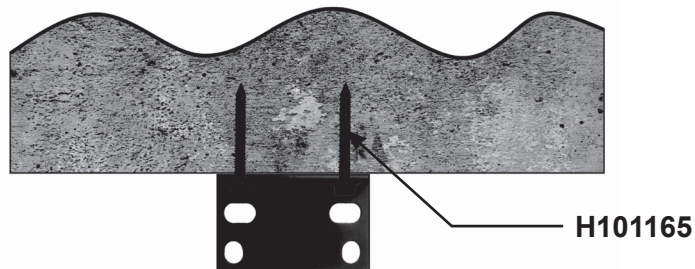
**ATTACHING TO WALL WITH LAG SCREWS**

---



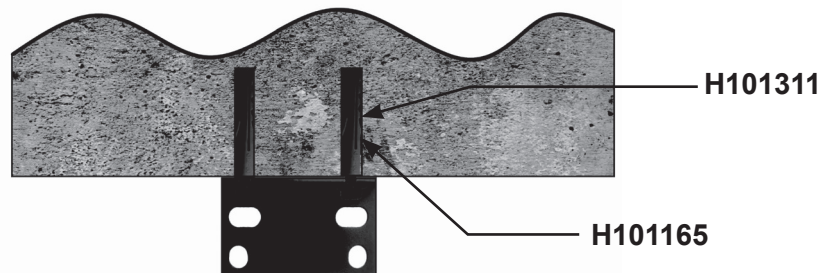
**ATTACHING TO WALL WITH LAGS USING PLASTIC ANCHORS**

---



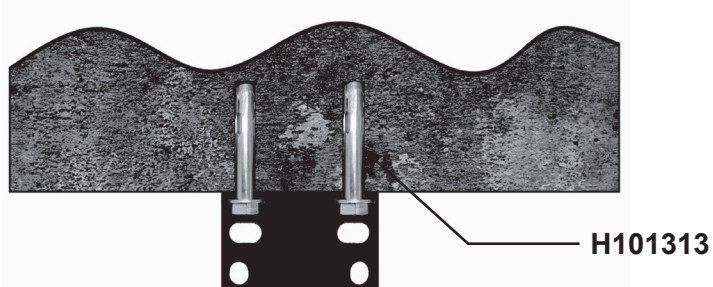
**ATTACHING TO MASONRY WITH CONCRETE ANCHORS**

---



**ATTACHING TO MASONRY WITH CONCRETE ANCHORS USING PLASTIC ANCHORS**

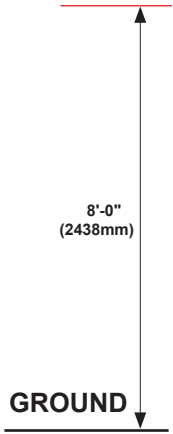
---



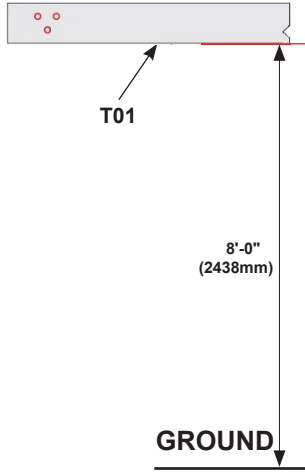
**ATTACHING TO MASONRY WITH EXPANSION ANCHORS**

# STEP 1 - WALL BRACKET LOCATION LAYOUT

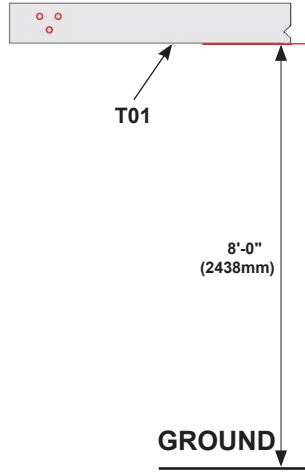
1. DRAW A STRAIGHT LINE 8'-0" (2438mm) OFF THE GROUND.



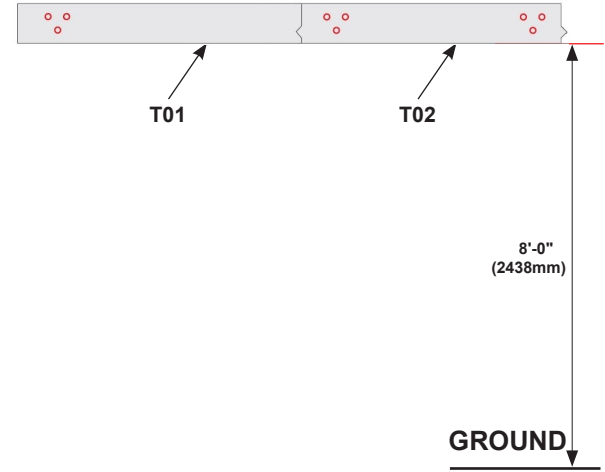
2. ALIGN THE BOTTOM OF T01 WITH THE STRAIGHT LINE AND KEEP IT LEVEL BY USING A 24" LEVEL.



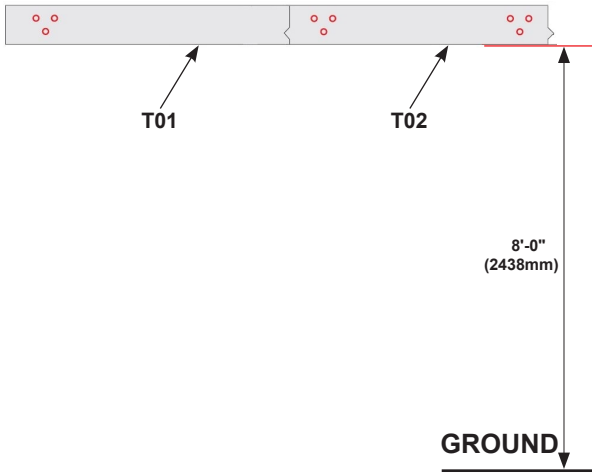
3. DRAW 3 CIRCLES ACCORDING TO HOLES IN T01.



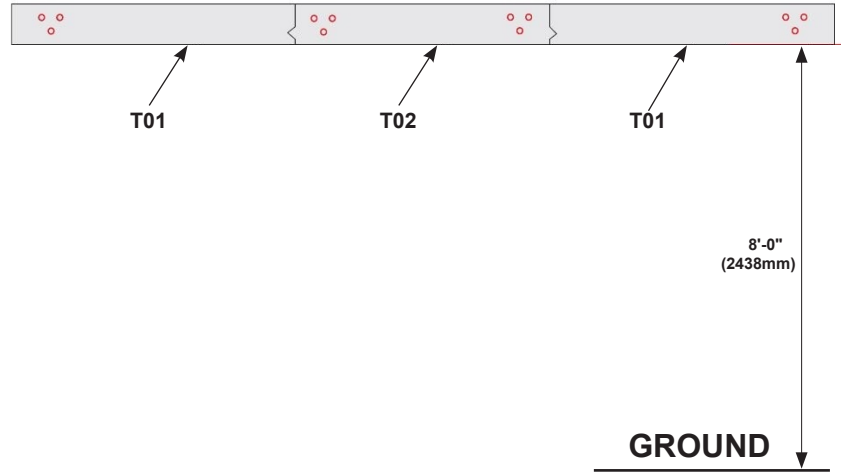
4. ALIGN T02 WITH T01 AND KEEP IT LEVEL BY USING A 24" LEVEL.



5. DRAW 6 CIRCLES ACCORDING TO HOLES IN T02.



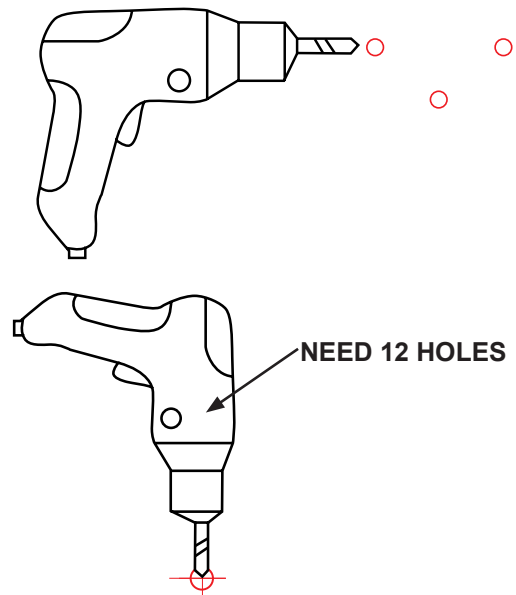
6. ALIGN T01 WITH T02 AND KEEP IT LEVEL BY USING A 24" LEVEL.



7. DRAW 3 CIRCLES ACCORDING TO HOLES IN T01 .

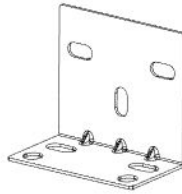
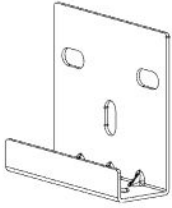


8. DRILL INTO THE WALL AT THE CENTER OF EACH CIRCLE. DRILL SIZE DETAILS ARE OUTLINE IN STEP 2A-E, DEPENDING ON WHAT ANCHORS YOU ARE USING.



**CRITICAL: ALL HOLES MUST BE LEVEL ACROSS THE 4 BRACKETS.**

# STEP 2A - WALL BRACKET INSTALLATION USING CONCRETE ANCHORS



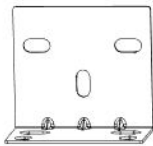
Qty	PartNo	Description
12	H101165	CONCRETE ANCHOR 3/8"x3" BLK
12	H100497	WASHER FLAT 17x30 BLK

K03 WALL BRACKET - A4M03482  
(x2) 2 11/16"x5 3/16"x6" (69x131x152)

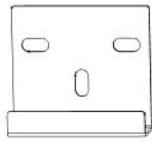
K04 WALL BRACKET - A4M03483  
(x2) 3 15/16"x5 1/8"x6" (99x131x152)

- DRILL 12  $\Phi$ 5/16"/8mm HOLES IN THE WALL ACCORDING TO LAYOUT IN STEP 1.
- INSTALL WALL BRACKETS WITH CONCRETE ANCHORS.
- THE INSTALLATION HEIGHT OF WALL BRACKETS WILL BE A LITTLE HIGHER THAN THE HEIGHT OF P02 (POST), SO THE TOP HAS A SLIGHT ANGLE TO FACILITATE DRAINAGE.
- REPEAT THIS STEP TWO TIMES.

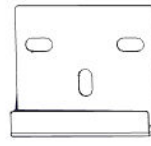
## BRACKET LAYOUT



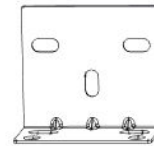
K04



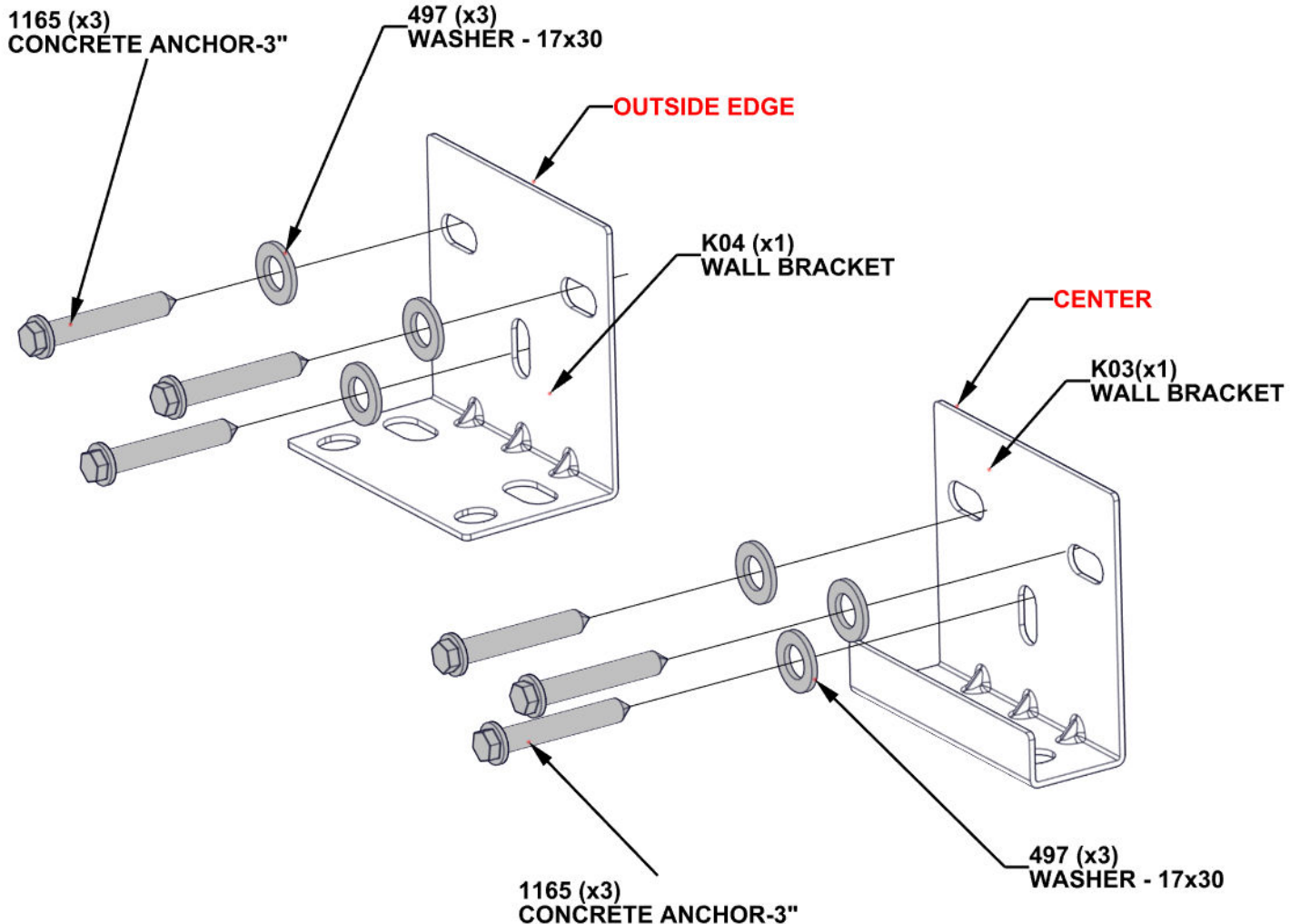
K03



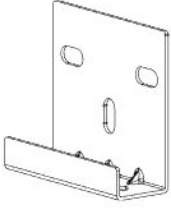
K03



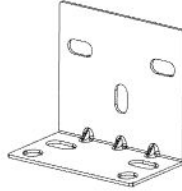
K04



# STEP 2B - WALL BRACKET INSTALLATION USING CONCRETE ANCHORS AND PLASTIC ANCHORS



K03 WALL BRACKET - A4M03482  
(x2) 2 11/16"x5 3/16"x6" (69x131x152)

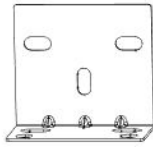


K04 WALL BRACKET - A4M03483  
(x2) 3 15/16"x5 1/8"x6" (99x131x152)

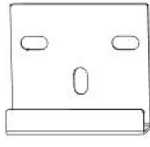
Qty	PartNo	Description
12	H101165	CONCRETE ANCHOR 3/8"x3" BLK
12	H101311	PLASTIC ANCHOR
12	H100497	WASHER FLAT 17x30 BLK

- DRILL 12  $\Phi$ 1/2"/12mm HOLES IN THE WALL ACCORDING TO LAYOUT IN STEP 1.
- INSTALL WALL BRACKETS WITH PLASTIC ANCHORS AND CONCRETE ANCHORS.
- THE INSTALLATION HEIGHT OF WALL BRACKETS WILL BE A LITTLE HIGHER THAN THE HEIGHT OF P02 (POST), SO THE TOP HAS A SLIGHT ANGLE TO FACILITATE DRAINAGE.
- REPEAT THIS STEP TWO TIMES.

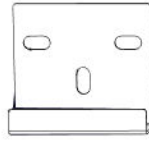
## BRACKET LAYOUT



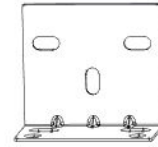
K04



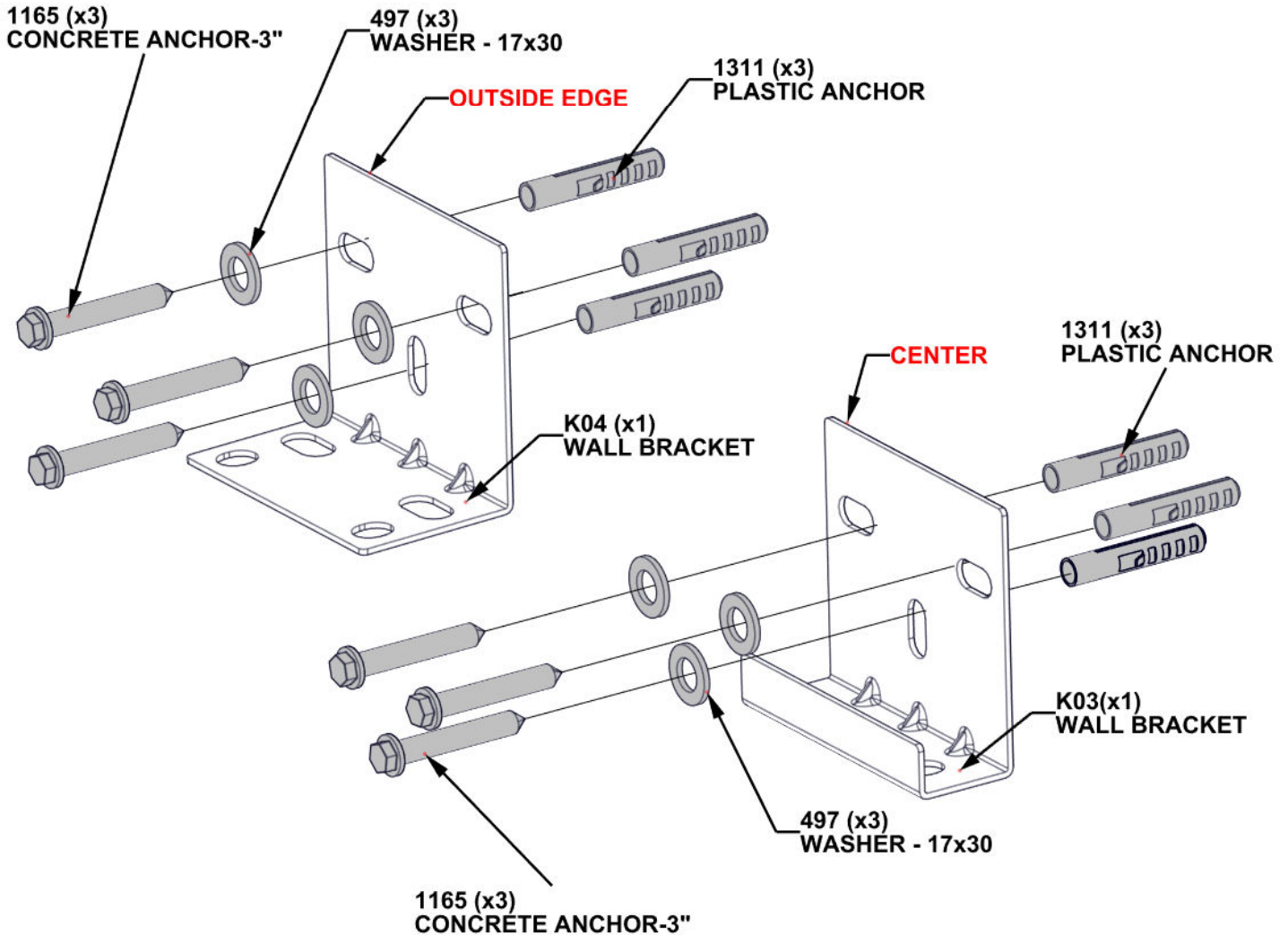
K03



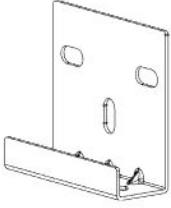
K03



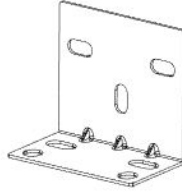
K04



# STEP 2C - WALL BRACKET INSTALLATION USING LAG SCREWS



K03 WALL BRACKET - A4M03482  
(x2) 2 11/16"x5 3/16"x6" (69x131x152)

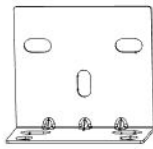


K04 WALL BRACKET - A4M03483  
(x2) 3 15/16"x5 1/8"x6" (99x131x152)

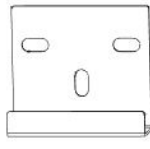
Qty	PartNo	Description
12	H101310	LAG BOLT HEX 3/8 X 3
12	H100497	WASHER FLAT 17x30 BLK

- DRILL 12  $\Phi$ 1/4"/7mm HOLES IN THE WALL ACCORDING TO LAYOUT IN STEP 1.
- INSTALL WALL BRACKETS WITH LAG SCREWS.
- THE INSTALLATION HEIGHT OF WALL BRACKETS WILL BE A LITTLE HIGHER THAN THE HEIGHT OF P02 (POST), SO THE TOP HAS A SLIGHT ANGLE TO FACILITATE DRAINAGE.
- REPEAT THIS STEP TWO TIMES.

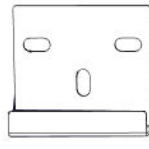
## BRACKET LAYOUT



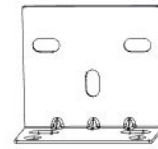
K04



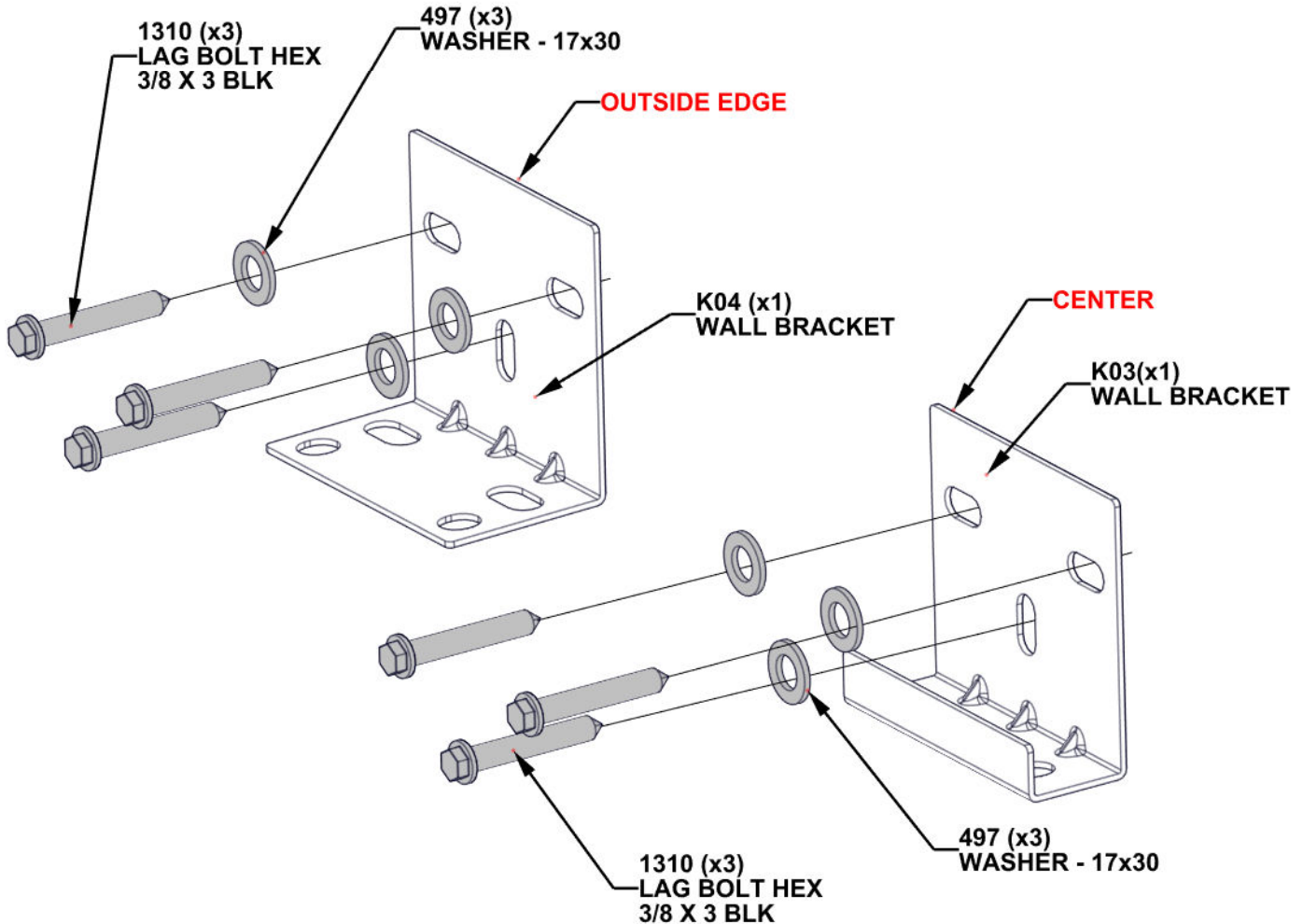
K03



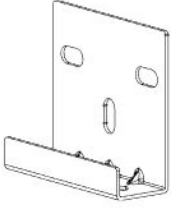
K03



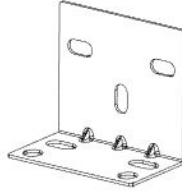
K04



# STEP 2D - WALL BRACKET INSTALLATION USING LAG SCREWS AND PLASTIC ANCHORS



K03 WALL BRACKET - A4M03482  
(x2) 2 11/16"x5 3/16"x6" (69x131x152)

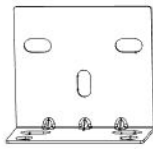


K04 WALL BRACKET - A4M03483  
(x2) 3 15/16"x5 1/8"x6" (99x131x152)

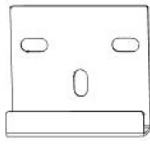
Qty	PartNo	Description
12	H101310	LAG BOLT HEX 3/8 X 3
12	H101311	PLASTIC ANCHOR
12	H100497	WASHER FLAT 17x30 BLK

- DRILL 12  $\Phi$ 1/2"/12mm HOLES IN THE WALL ACCORDING TO LAYOUT IN STEP 1.
- INSTALL WALL BRACKETS WITH PLASTIC ANCHORS AND LAG SCREWS.
- THE INSTALLATION HEIGHT OF WALL BRACKETS WILL BE A LITTLE HIGHER THAN THE HEIGHT OF P02 (POST), SO THE TOP HAS A SLIGHT ANGLE TO FACILITATE DRAINAGE.
- REPEAT THIS STEP TWO TIMES.

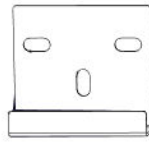
## BRACKET LAYOUT



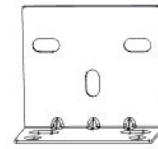
K04



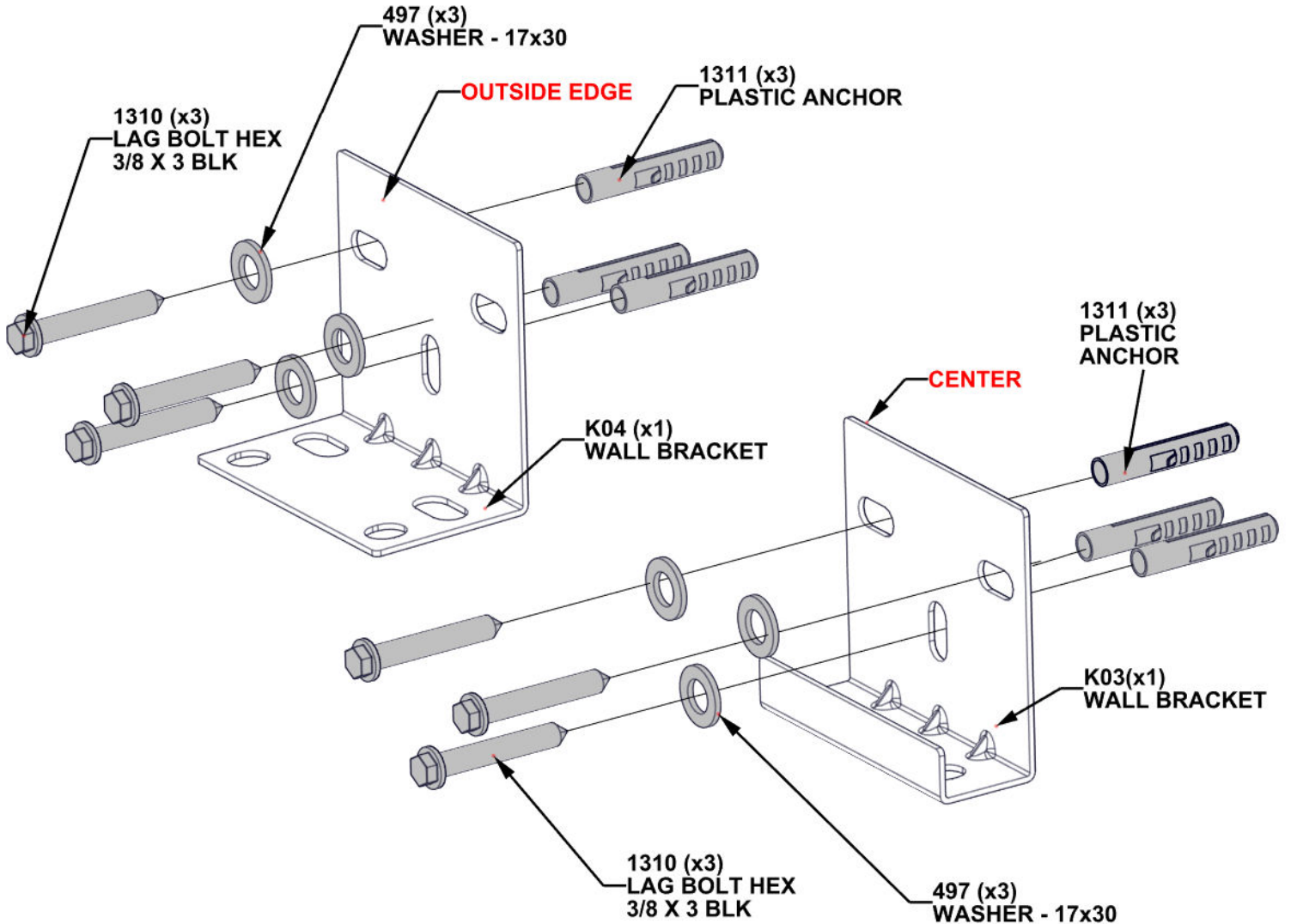
K03



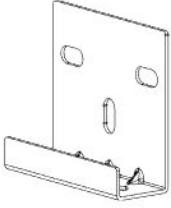
K03



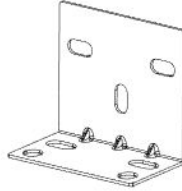
K04



# STEP 2E - WALL BRACKET INSTALLATION USING EXPANSION ANCHORS



K03 WALL BRACKET - A4M03482  
(x2) 2 11/16"x5 3/16"x6" (69x131x152)

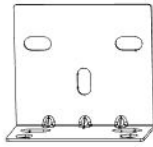


K04 WALL BRACKET - A4M03483  
(x2) 3 15/16"x5 1/8"x6" (99x131x152)

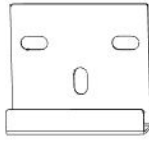
Qty	PartNo	Description
12	H101313	EXPANSION ANCHOR
12	H100497	WASHER FLAT 17x30 BLK

- DRILL 12  $\Phi 3/8$ "/10mm HOLES IN THE WALL ACCORDING TO LAYOUT IN STEP 1.
- INSTALL WALL BRACKETS WITH EXPANSION ANCHORS.
- THE INSTALLATION HEIGHT OF WALL BRACKETS WILL BE A LITTLE HIGHER THAN THE HEIGHT OF P02 (POST), SO THE TOP HAS A SLIGHT ANGLE TO FACILITATE DRAINAGE.
- REPEAT THIS STEP TWO TIMES.

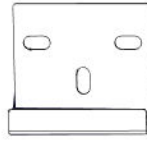
## BRACKET LAYOUT



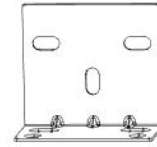
K04



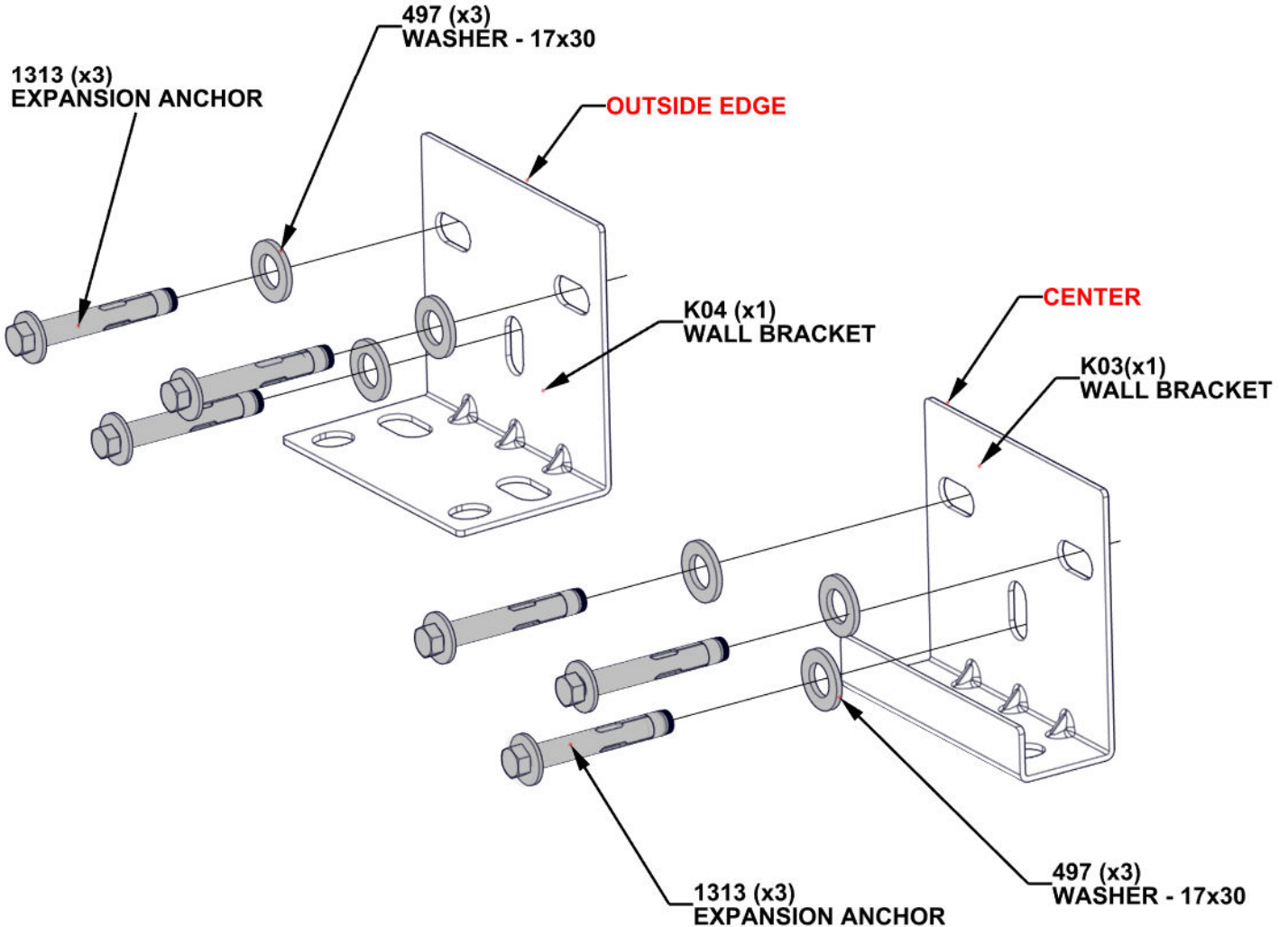
K03



K03



K04



# STEP 3A - REAR BEAM ASSEMBLY

Qty	PartNo	Description
3	H101202	TORX PAN HEAD 1/4-20x3/4 ASSY

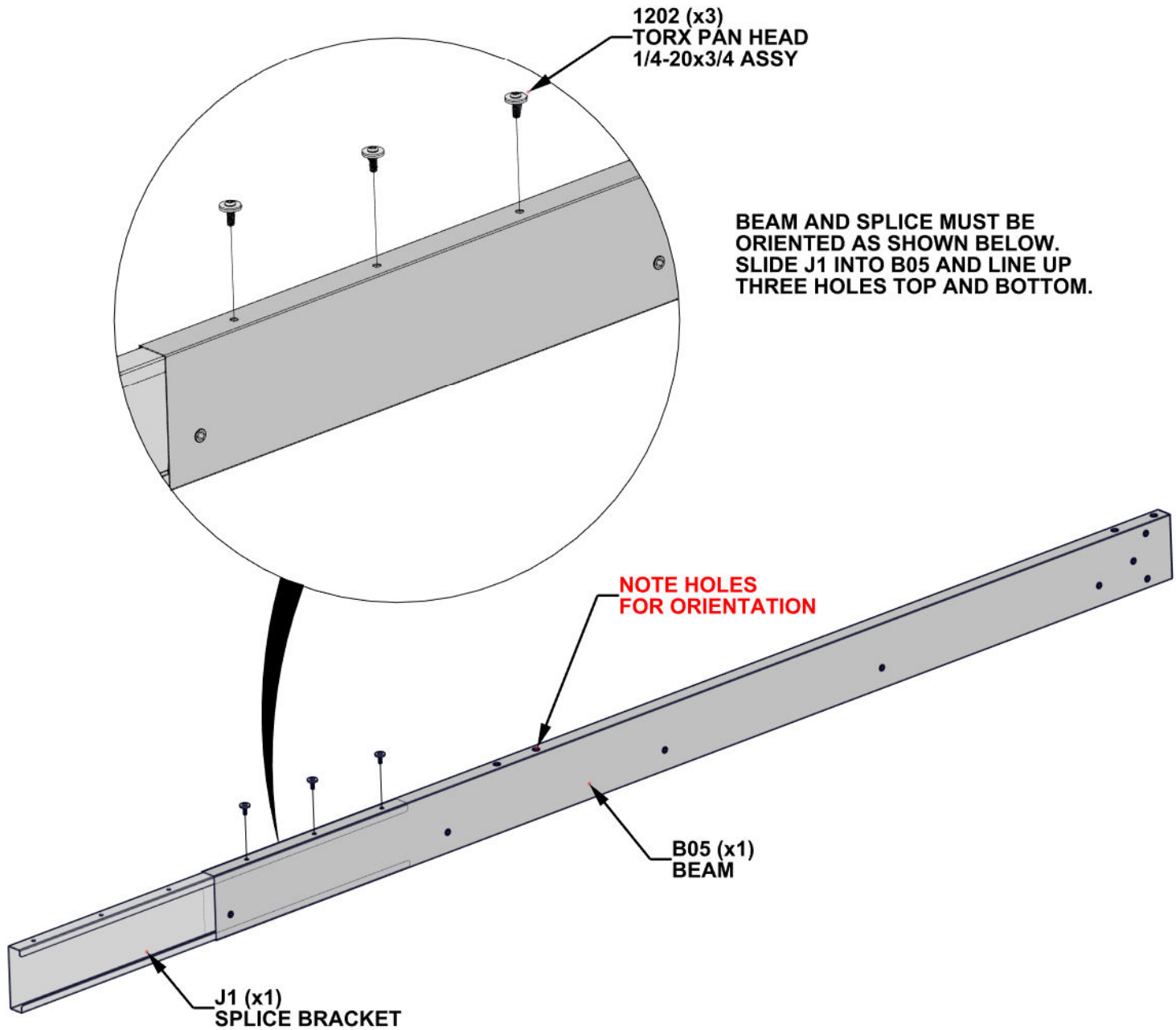


B05 BEAM - A4M04106  
(x1) 1 7/16"x5 1/4"x97 3/16" (36x134x2468)



J1 SPLICE BRACKET - A4M02230  
(x1) 1 5/16"x5 3/16"x39 3/8" (33.2x131.2x1000)

- FOR EASE OF ASSEMBLY, WE RECOMMEND USING SAWHORSES FOR STEPS 3A-7.  
- **HAND TIGHTEN ONLY.**



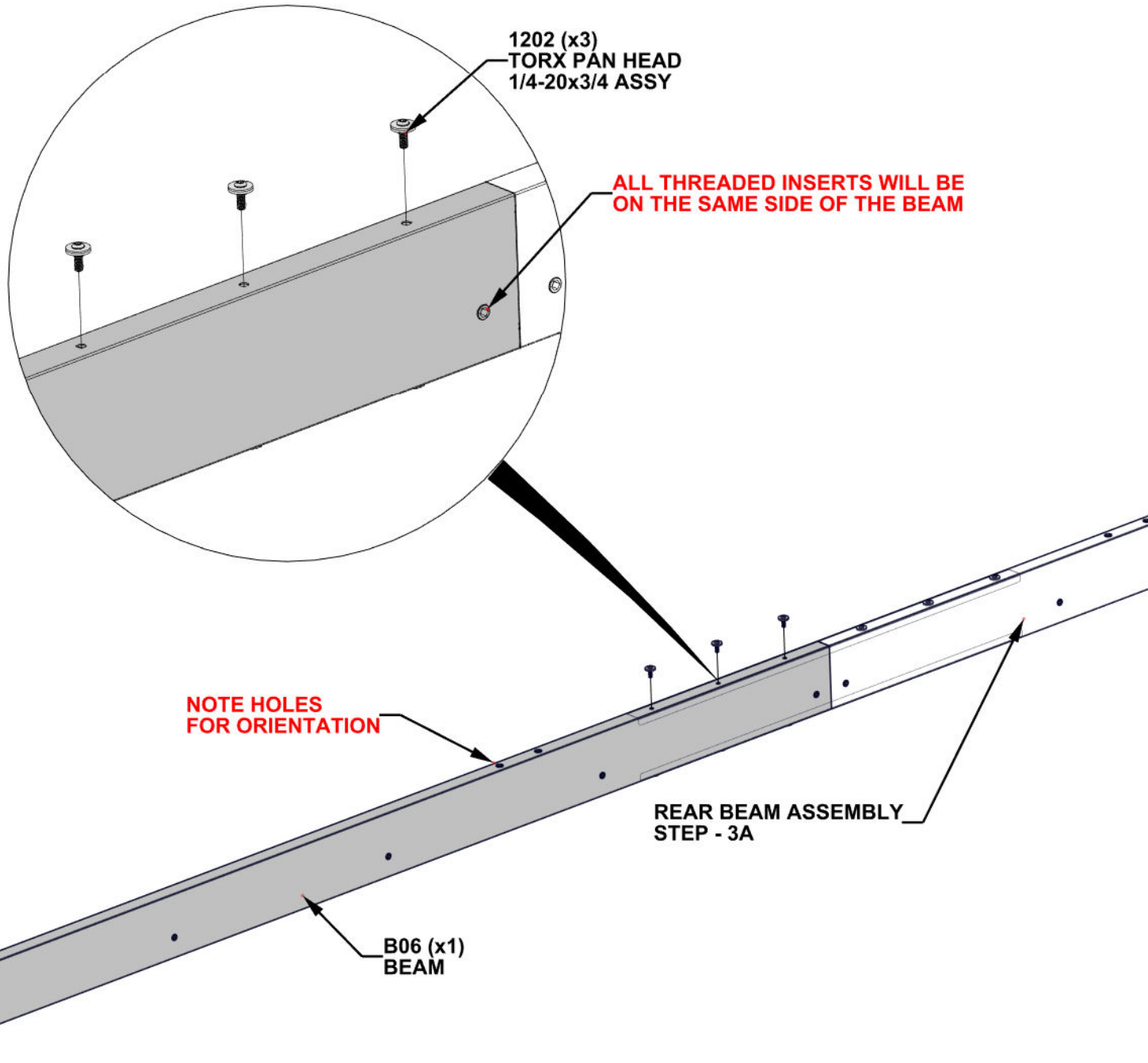
# STEP 3B - REAR BEAM ASSEMBLY

Qty	PartNo	Description
3	H101202	TORX PAN HEAD 1/4-20x3/4 ASSY



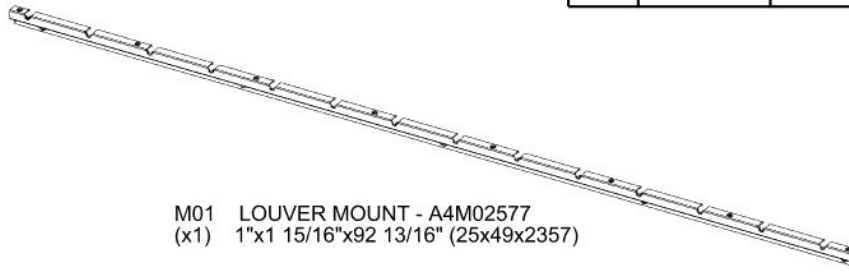
B06 BEAM - A4M04105  
(x1) 1 7/16"x5 1/4"x97 3/16" (36x134x2468)

- SLIDE B06 ONTO SPLICE BRACKET. GENTLY TAP ENDS OF ASSEMBLY WITH RUBBER Mallet UNTIL GAP CLOSES, THEN TIGHTEN ALL BOLTS ON BEAM.

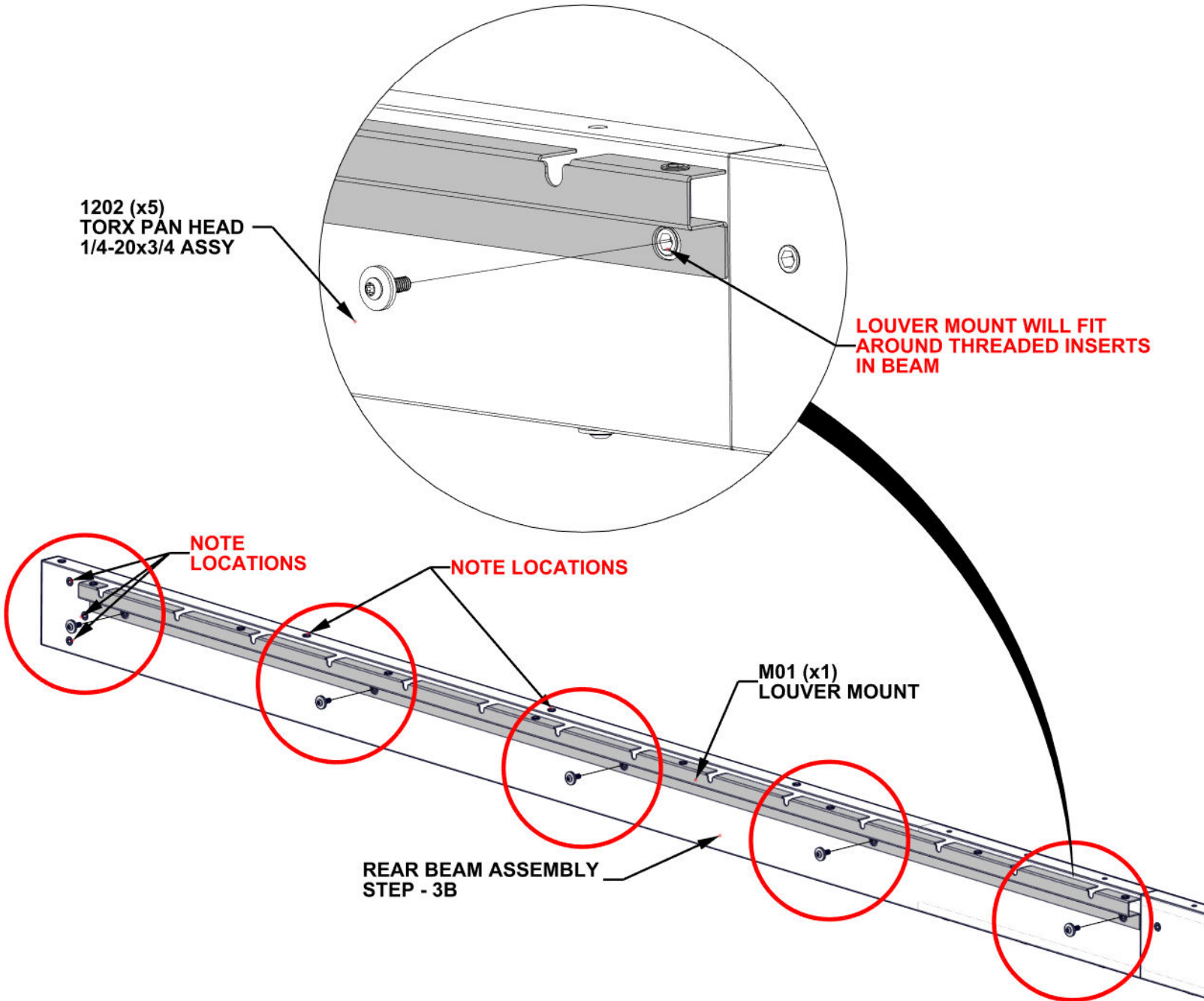


# STEP 4A - REAR BEAM LOUVER MOUNT

Qty	PartNo	Description
5	H101202	TORX PAN HEAD 1/4-20x3/4 ASSY

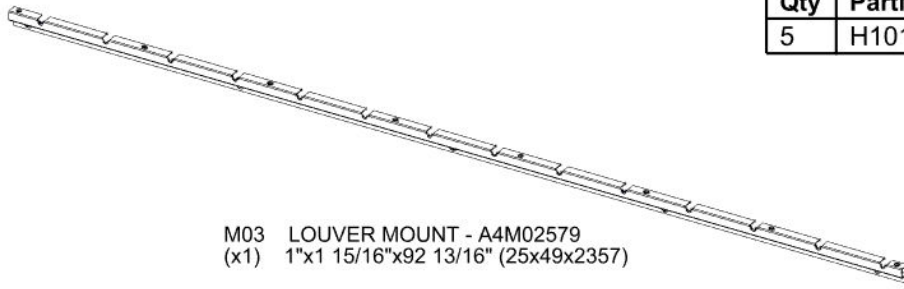


**- HAND TIGHTEN ONLY.**



# STEP 4B - REAR BEAM LOUVER MOUNT

Qty	PartNo	Description
5	H101202	TORX PAN HEAD 1/4-20x3/4 ASSY



M03 LOUVER MOUNT - A4M02579  
(x1) 1"x1 15/16"x92 13/16" (25x49x2357)

**- HAND TIGHTEN ONLY.**

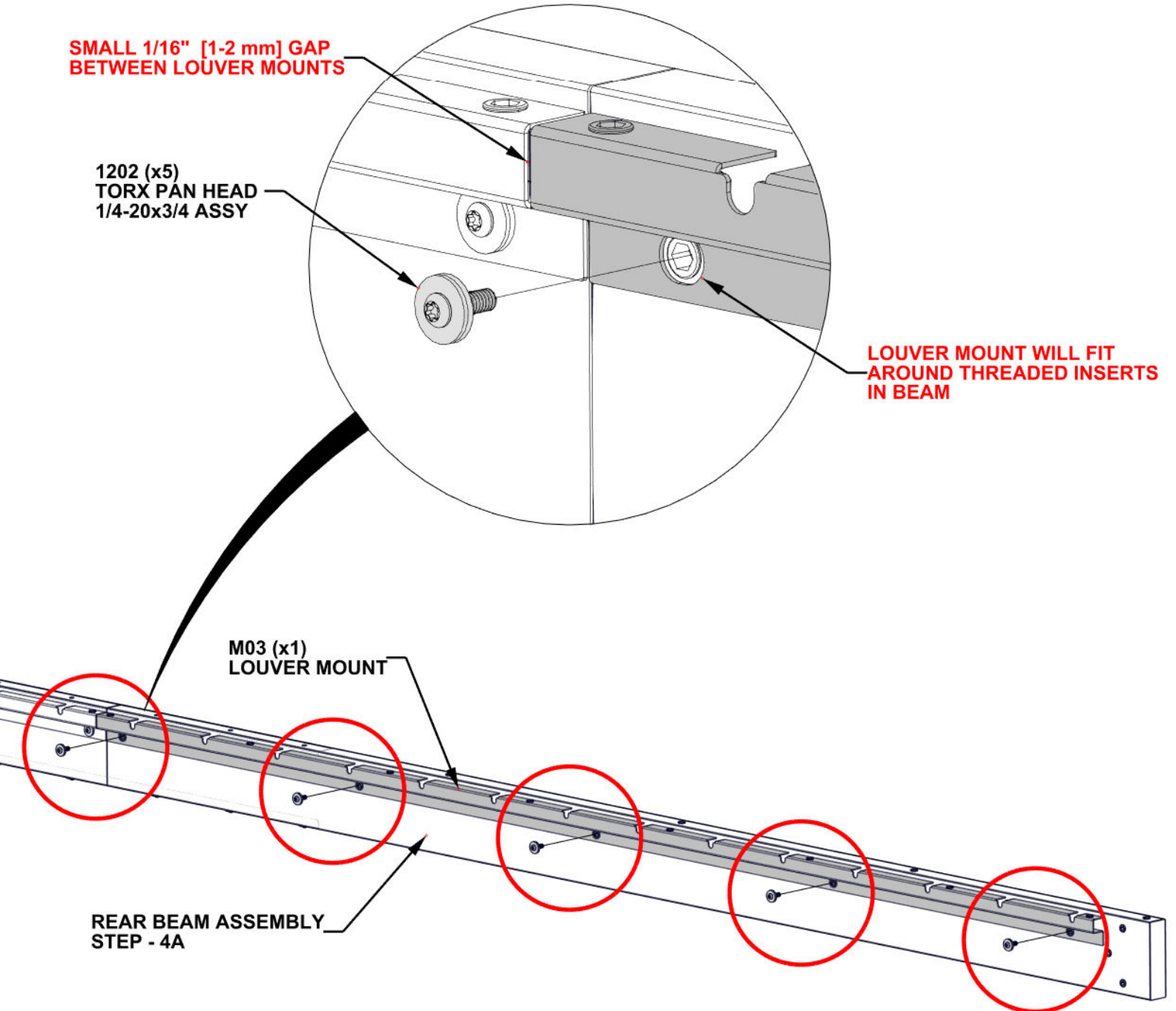
**SMALL 1/16" [1-2 mm] GAP  
BETWEEN LOUVER MOUNTS**

**1202 (x5)  
TORX PAN HEAD  
1/4-20x3/4 ASSY**

**LOUVER MOUNT WILL FIT  
AROUND THREADED INSERTS  
IN BEAM**

**M03 (x1)  
LOUVER MOUNT**

**REAR BEAM ASSEMBLY  
STEP - 4A**



# STEP 5 - REAR BEAM WEATHER STRIP

Qty	PartNo	Description
14	H101202	TORX PAN HEAD 1/4-20x3/4 ASSY

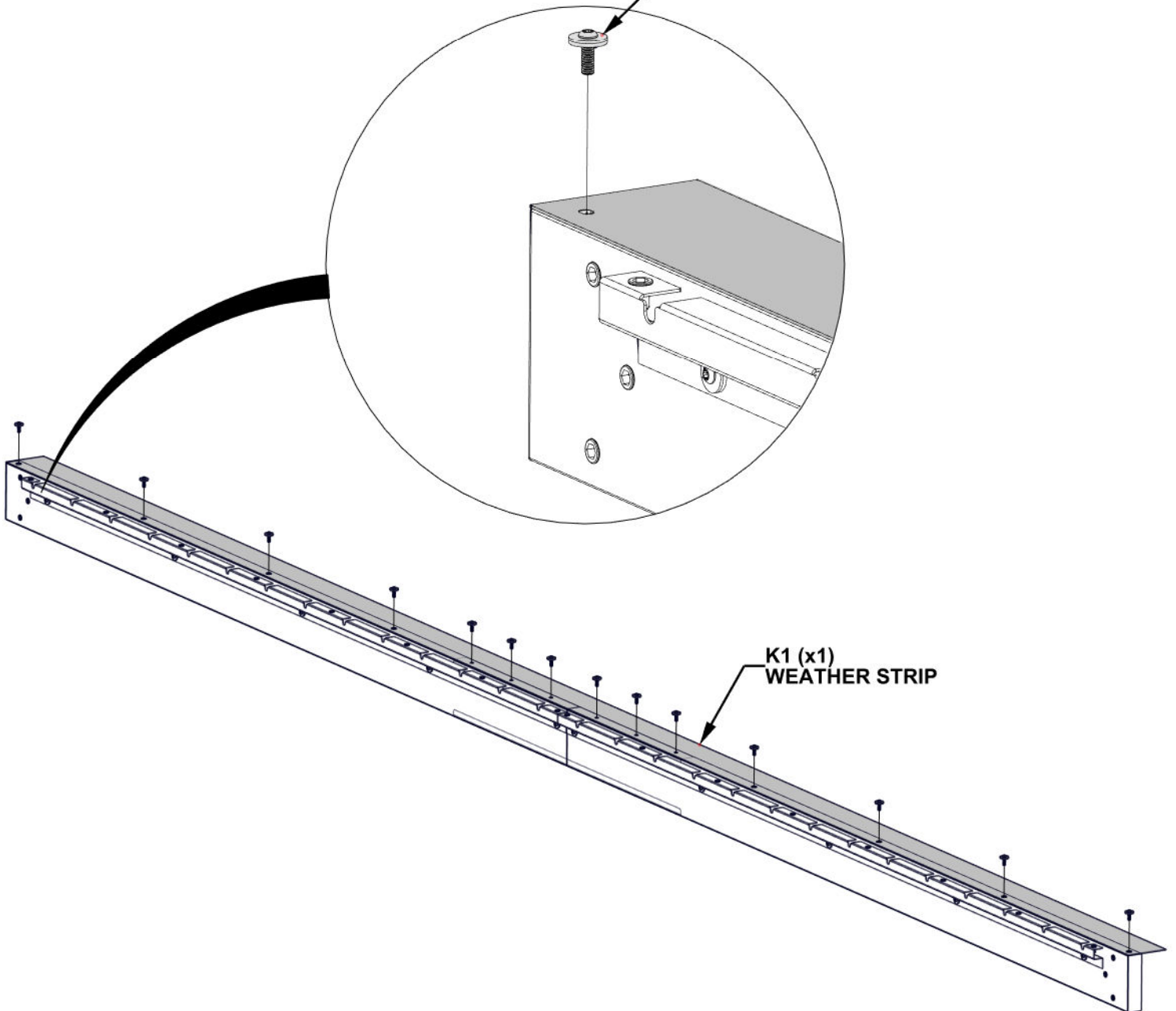


K1 WEATHER STRIP - A6P01161  
(x1) 1/16"x3 15/16"x186 11/16" (1.6x100x4742)

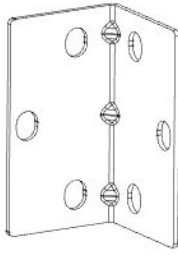
- ALIGN SCREW HOLES.

- WEATHER STRIP WILL NEED TO BE STRETCHED TO ALIGN HOLES. THIS ENSURES A TIGHT SEAL.

1202 (x14)  
TORX PAN HEAD  
1/4-20x3/4 ASSY



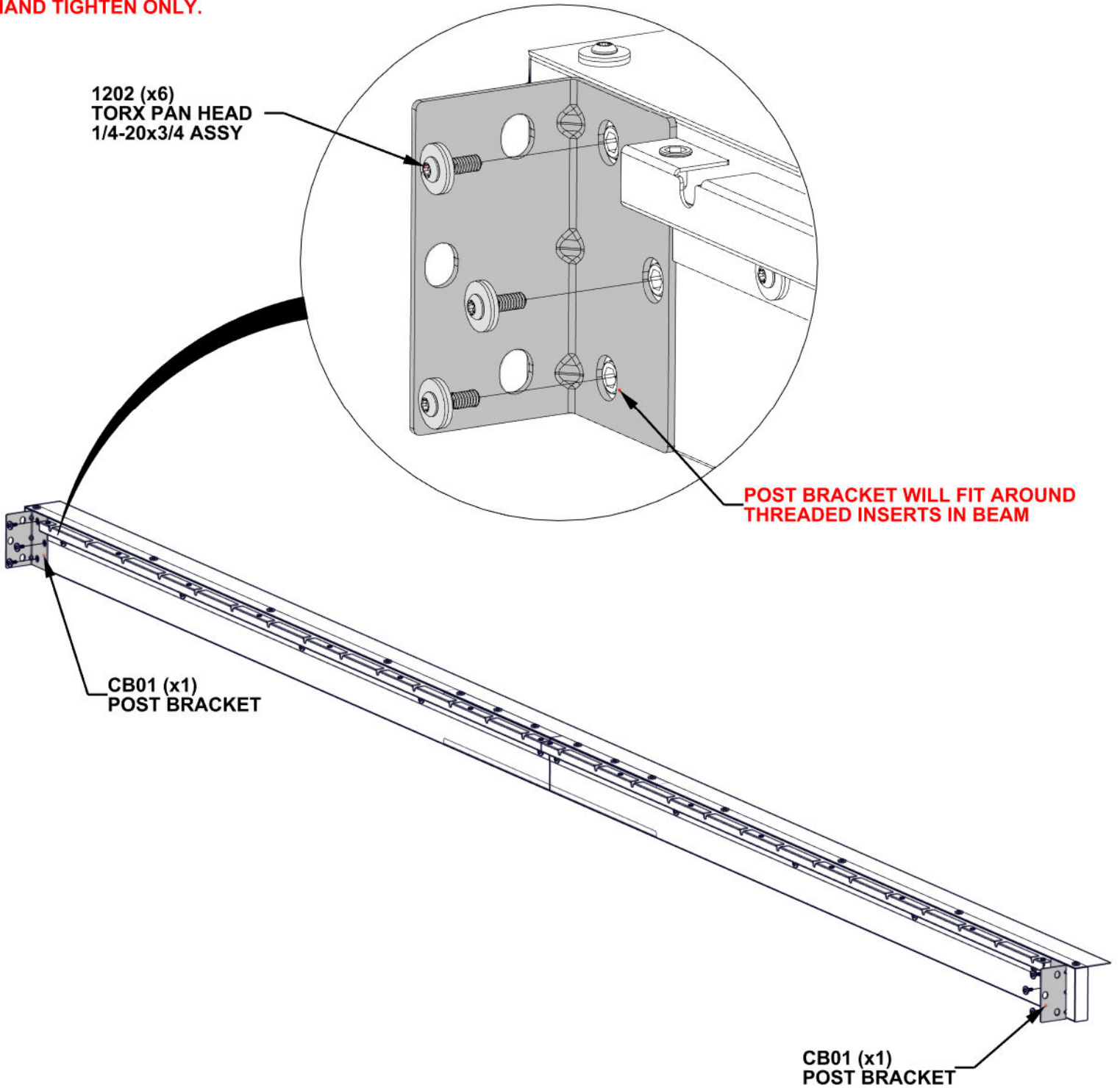
# STEP 6 - REAR BEAM POST BRACKET



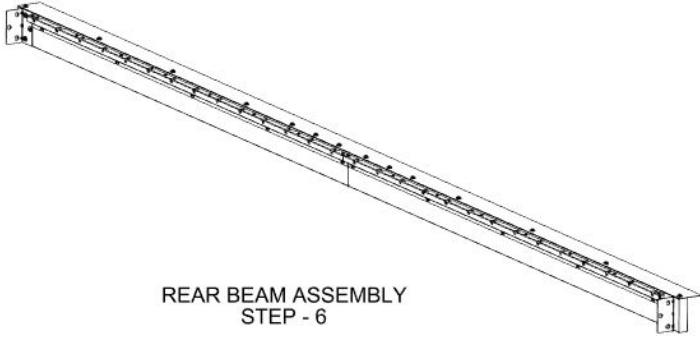
Qty	PartNo	Description
6	H101202	TORX PAN HEAD 1/4-20x3/4 ASSY

CB01 POST BRACKET - A4M04063  
(x2) 2 15/16"x2 15/16"x5 1/4" (74.5x74.5x134)

**- HAND TIGHTEN ONLY.**



# STEP 7 - REAR BEAM ASSEMBLY

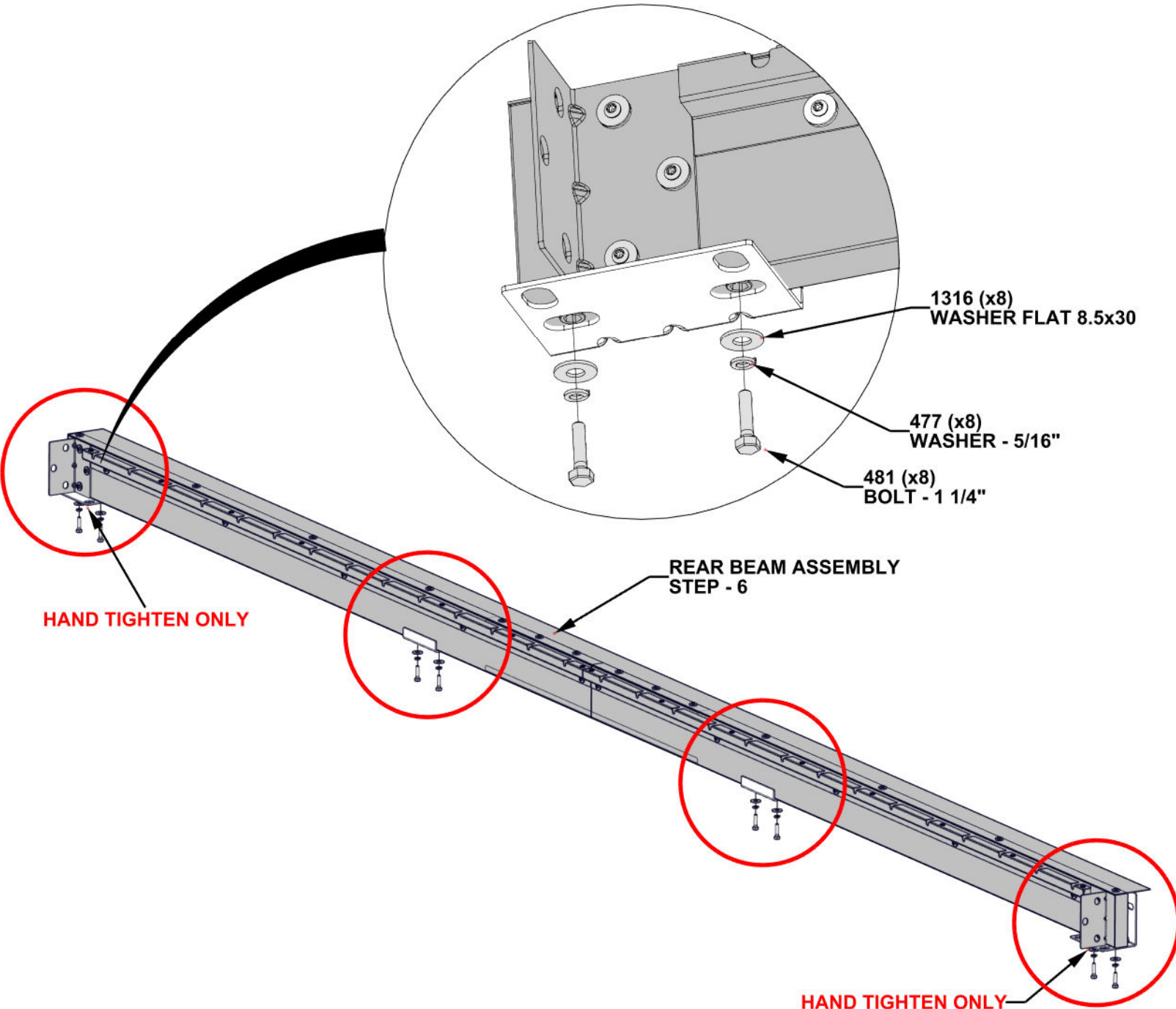


REAR BEAM ASSEMBLY  
STEP - 6

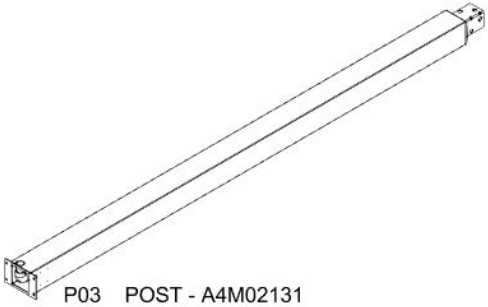
Qty	PartNo	Description
8	H100477	WASHER SPLIT 5/16 BLK
8	H100481	BOLT HEX 5/16x1 1/4 BLK
8	H101316	WASHER FLAT 8.5x30 BLK

- WITH THE HELP OF ANOTHER ADULT, ATTACH REAR BEAM ASSEMBLY TO WALL BRACKETS.
- ALIGN SCREW HOLES.

**- TIGHTEN ALL HARDWARE FROM PREVIOUS STEPS**



# STEP 8A - LEFT FRAME ASSEMBLY



P03 POST - A4M02131  
(x1) 4 5/16"x6 3/4"x99 1/2" (110x172x2527)

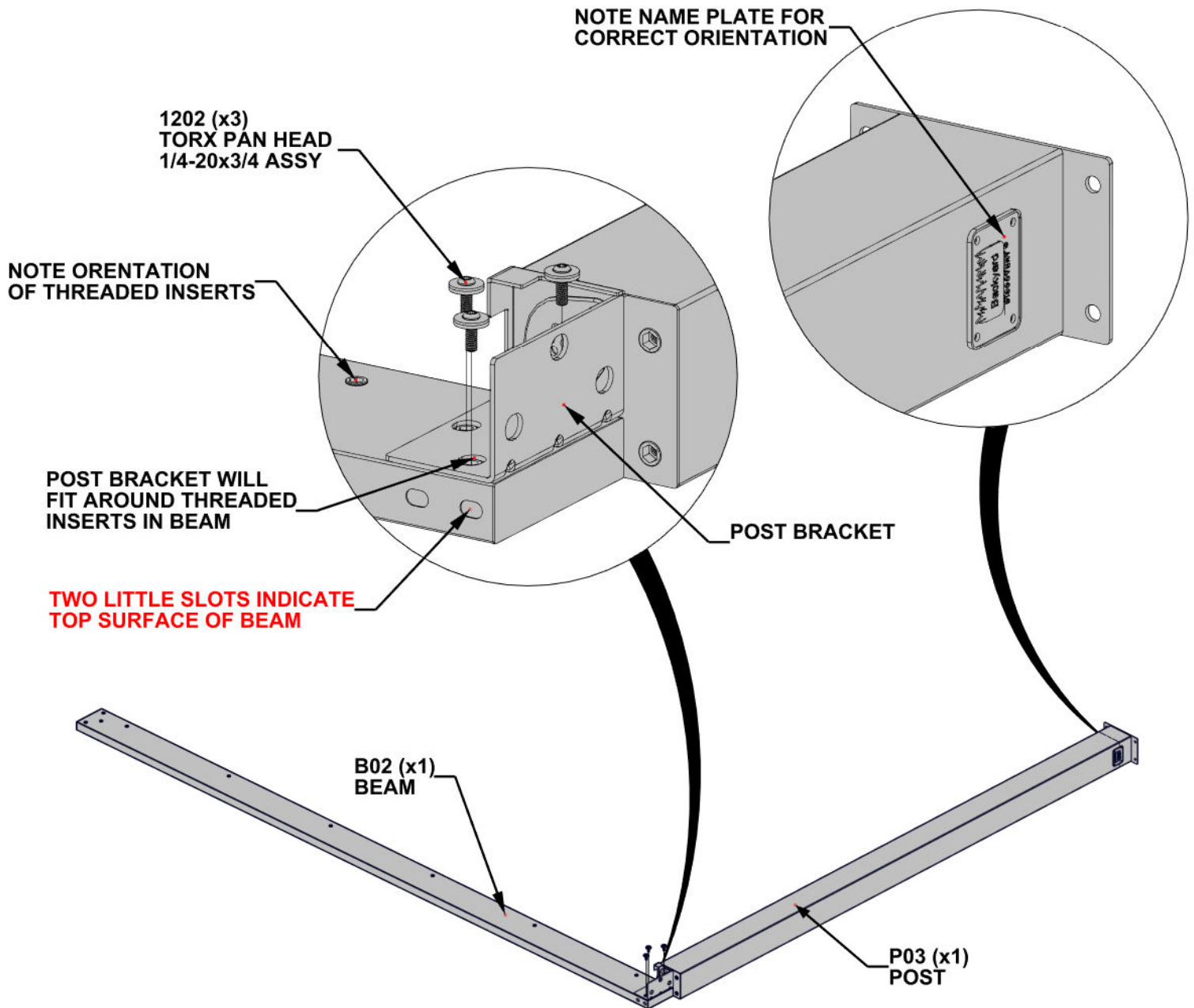
Qty	PartNo	Description
3	H101202	TORX PAN HEAD 1/4-20x3/4 ASSY



B02 BEAM - A4M03479  
(x1) 1 7/16"x5 1/4"x114 7/8" (36x134x2918)

- ATTACH B02 BEAM TO POST BRACKET ON P03.

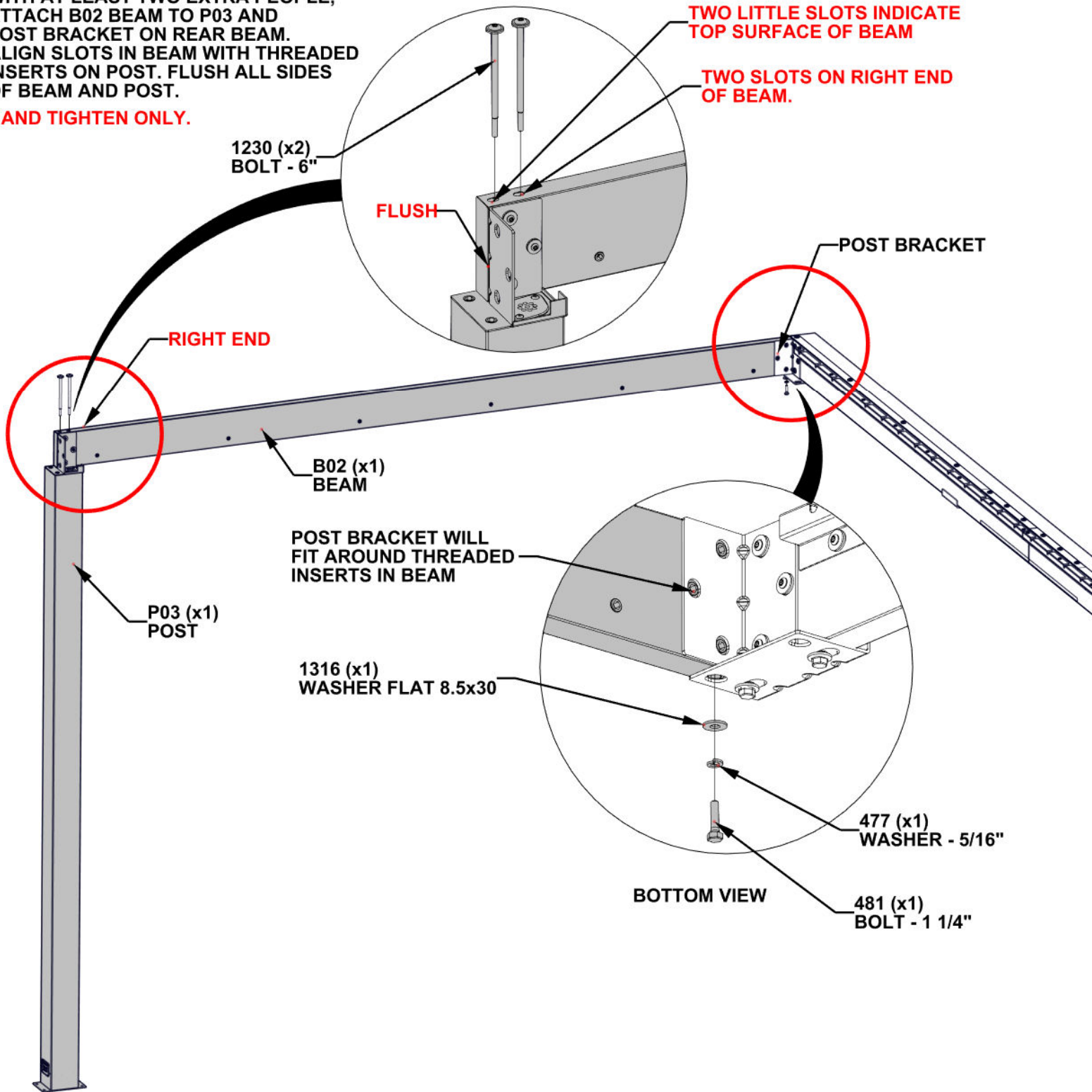
- **HAND TIGHTEN ONLY**



# STEP 8B - LEFT FRAME ASSEMBLY

Qty	PartNo	Description
1	H100477	WASHER SPLIT 5/16 BLK
1	H100481	BOLT HEX 5/16x1 1/4 BLK
2	H101230	BOLT WH 5/16x6 S.S.
1	H101316	WASHER FLAT 8.5x30 BLK

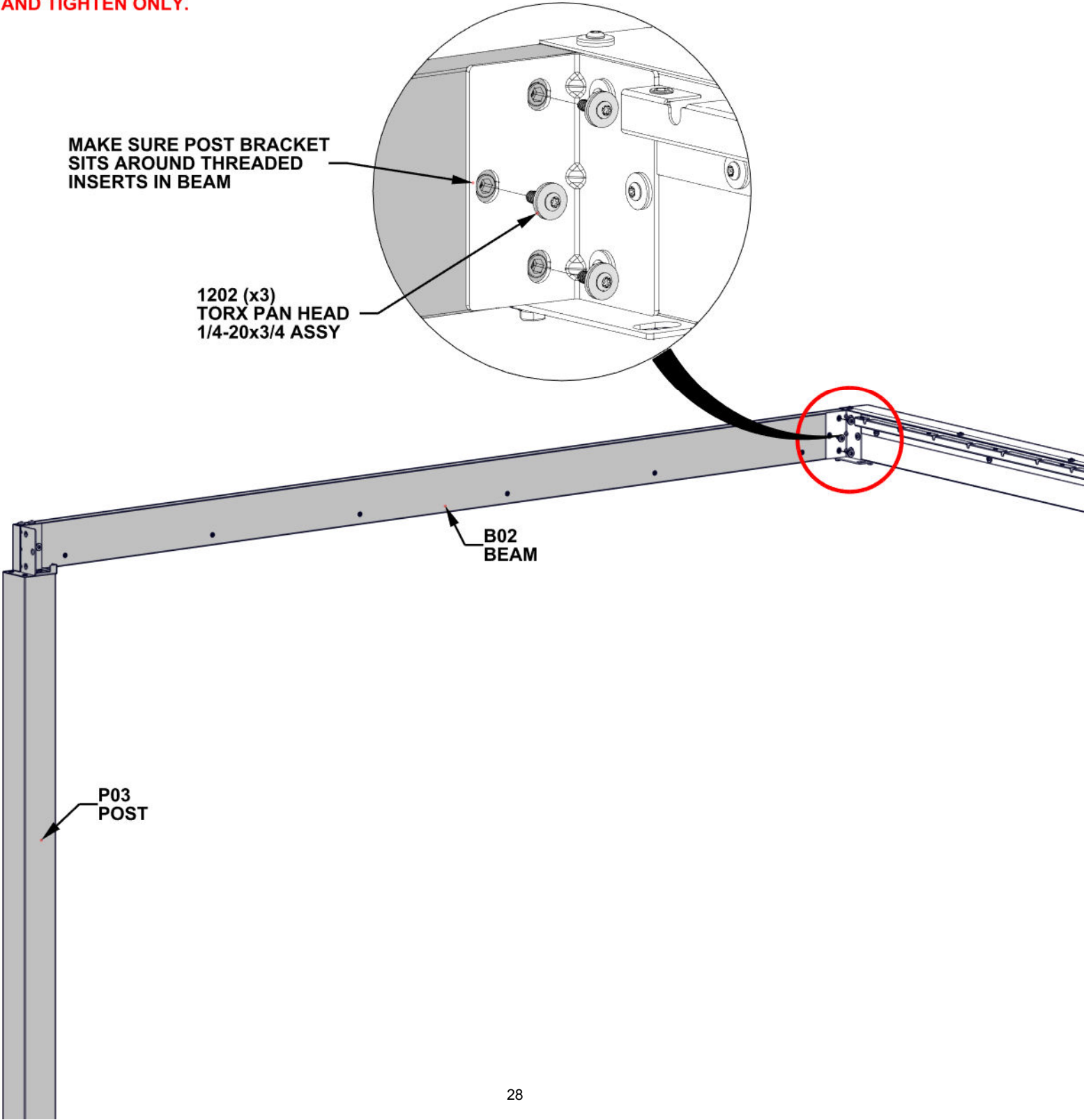
- WITH AT LEAST TWO EXTRA PEOPLE, ATTACH B02 BEAM TO P03 AND POST BRACKET ON REAR BEAM.
- ALIGN SLOTS IN BEAM WITH THREADED INSERTS ON POST. FLUSH ALL SIDES OF BEAM AND POST.
- **HAND TIGHTEN ONLY.**



# STEP 8C - LEFT FRAME ASSEMBLY

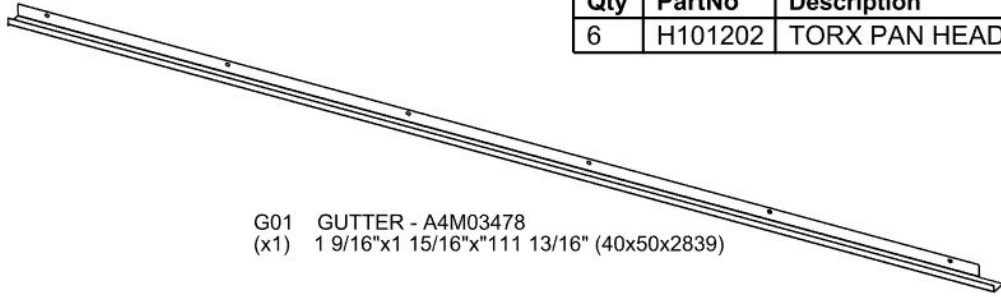
Qty	PartNo	Description
3	H101202	TORX PAN HEAD 1/4-20x3/4 ASSY

- HAND TIGHTEN ONLY.



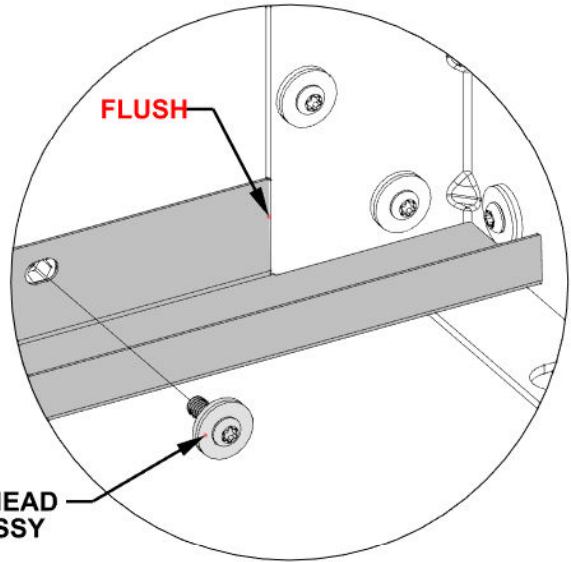
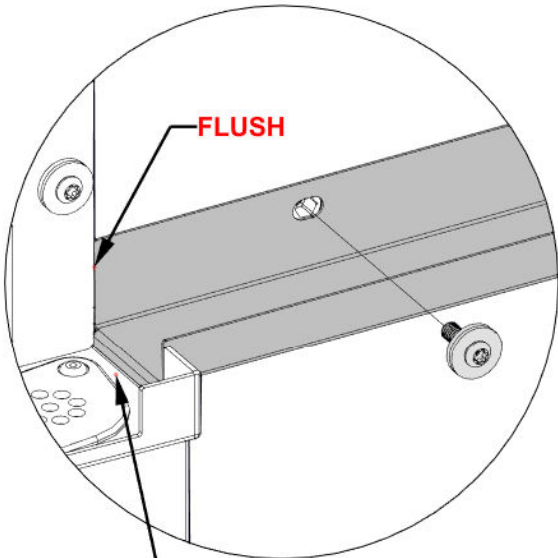
# STEP 9 - LEFT GUTTER ASSEMBLY

Qty	PartNo	Description
6	H101202	TORX PAN HEAD 1/4-20x3/4 ASSY



G01 GUTTER - A4M03478  
 (x1) 1 9/16"x1 15/16"x"111 13/16" (40x50x2839)

- WITH AN ADDITIONAL PERSON, ATTACH GUTTER TO BEAM.
- MAKE SURE ENDS OF GUTTER SIT ON TOP SURFACE OF EACH POST BRACKET.
- TIGHTEN ALL HARDWARE FROM PREVIOUS STEPS.

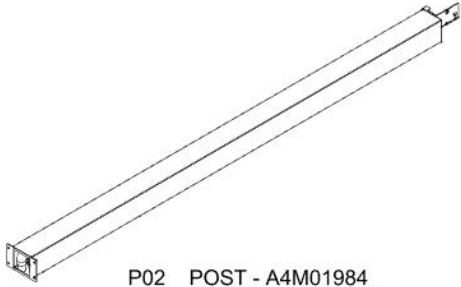


GUTTER FLANGE  
 WILL OVERLAP  
 EDGE OF POST

G01 (x1)  
 GUTTER

P03  
 POST

# STEP 10A - RIGHT FRAME ASSEMBLY



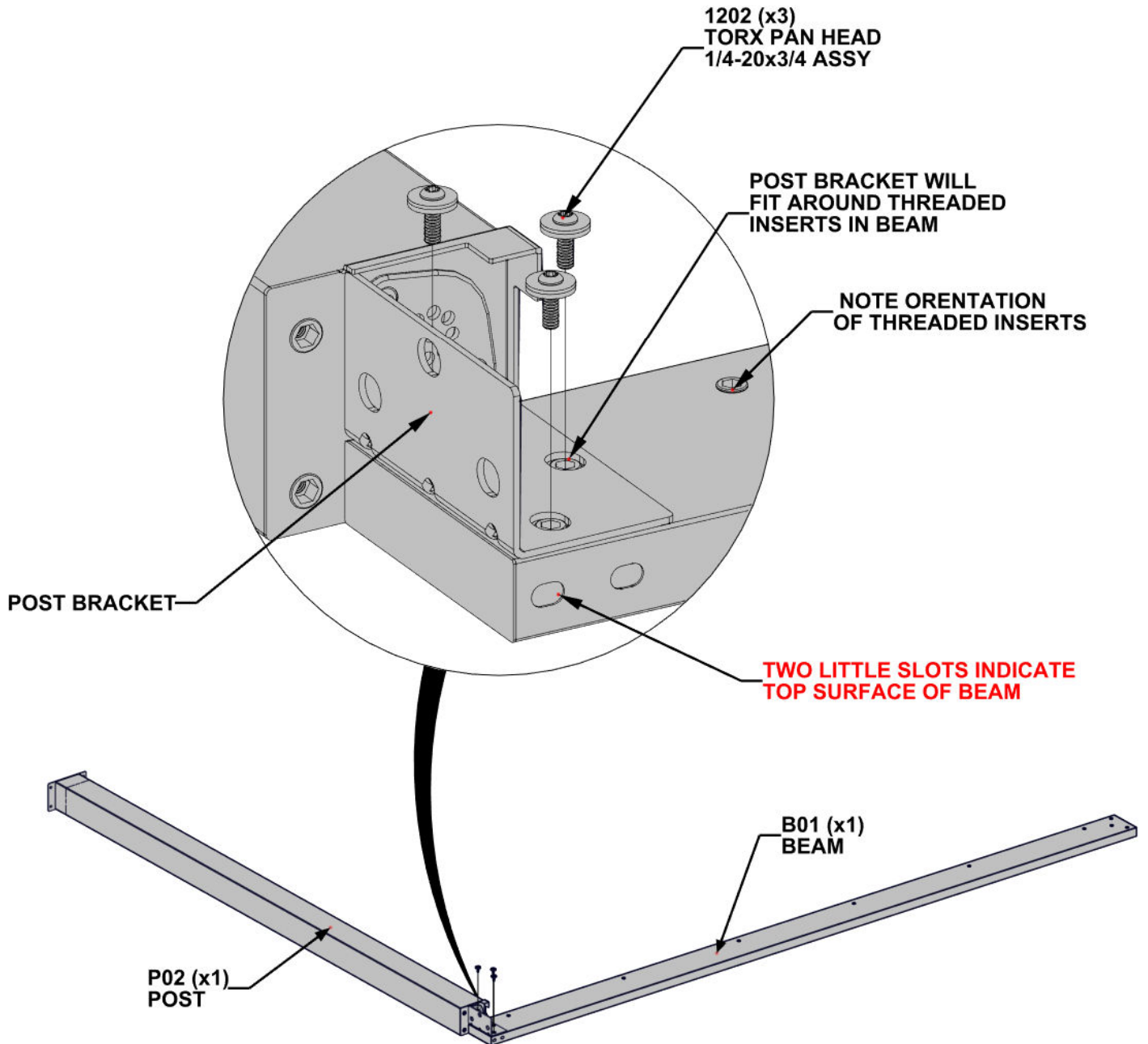
P02 POST - A4M01984  
(x1) 4 5/16"x6 3/4"x99 1/2" (110x172x2527)

Qty	PartNo	Description
3	H101202	TORX PAN HEAD 1/4-20x3/4 ASSY



B01 BEAM - A4M03480  
(x1) 1 7/16"x5 1/4"x114 7/8" (36x134x2918)

- ATTACH B01 TO POST BRACKET ON P02.  
- **HAND TIGHTEN ONLY**

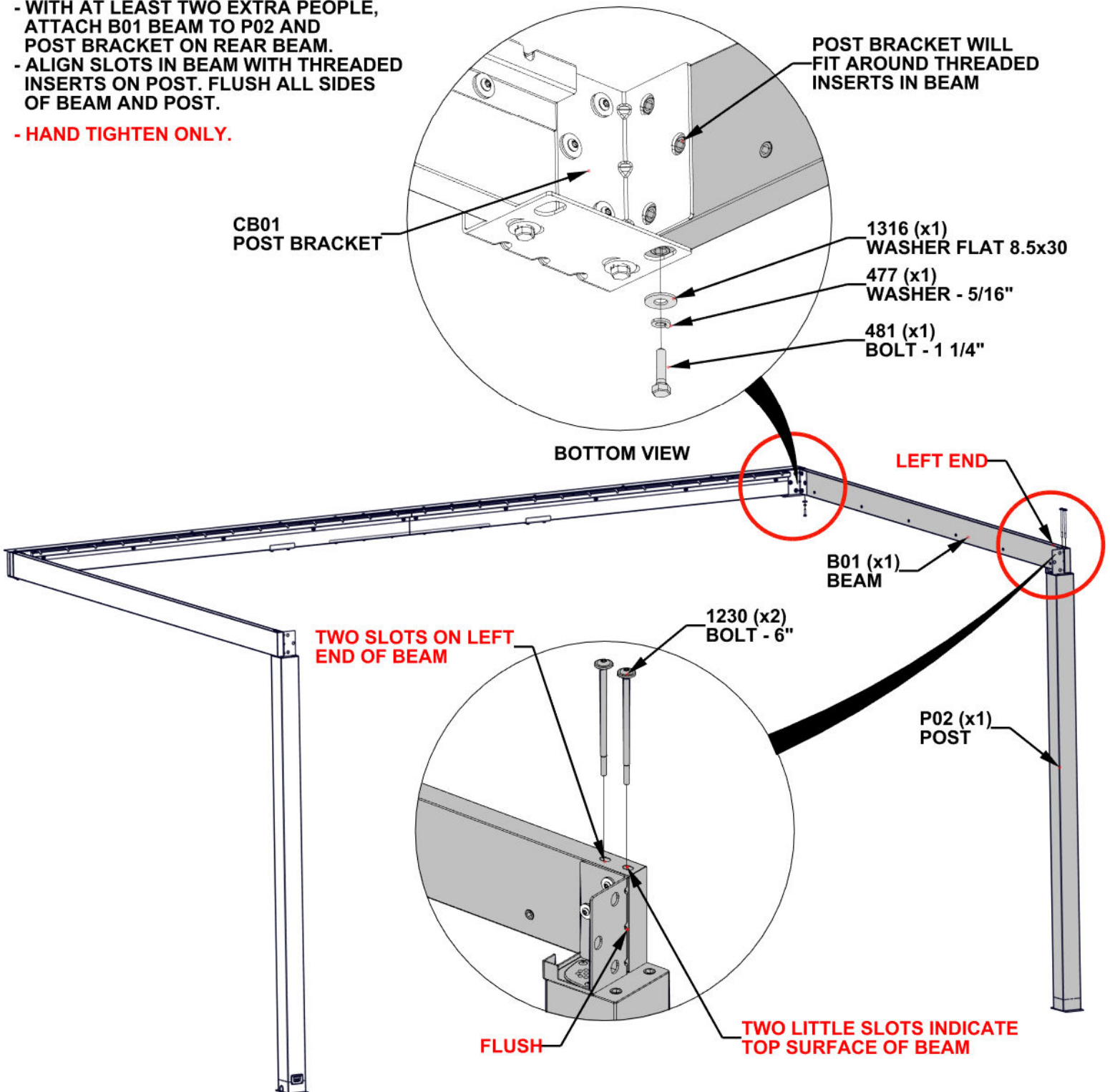


# STEP 10B - RIGHT FRAME ASSEMBLY

Qty	PartNo	Description
1	H100477	WASHER SPLIT 5/16 BLK
1	H100481	BOLT HEX 5/16x1 1/4 BLK
2	H101230	BOLT WH 5/16x6 S.S.
1	H101316	WASHER FLAT 8.5x30 BLK

- WITH AT LEAST TWO EXTRA PEOPLE, ATTACH B01 BEAM TO P02 AND POST BRACKET ON REAR BEAM.
- ALIGN SLOTS IN BEAM WITH THREADED INSERTS ON POST. FLUSH ALL SIDES OF BEAM AND POST.

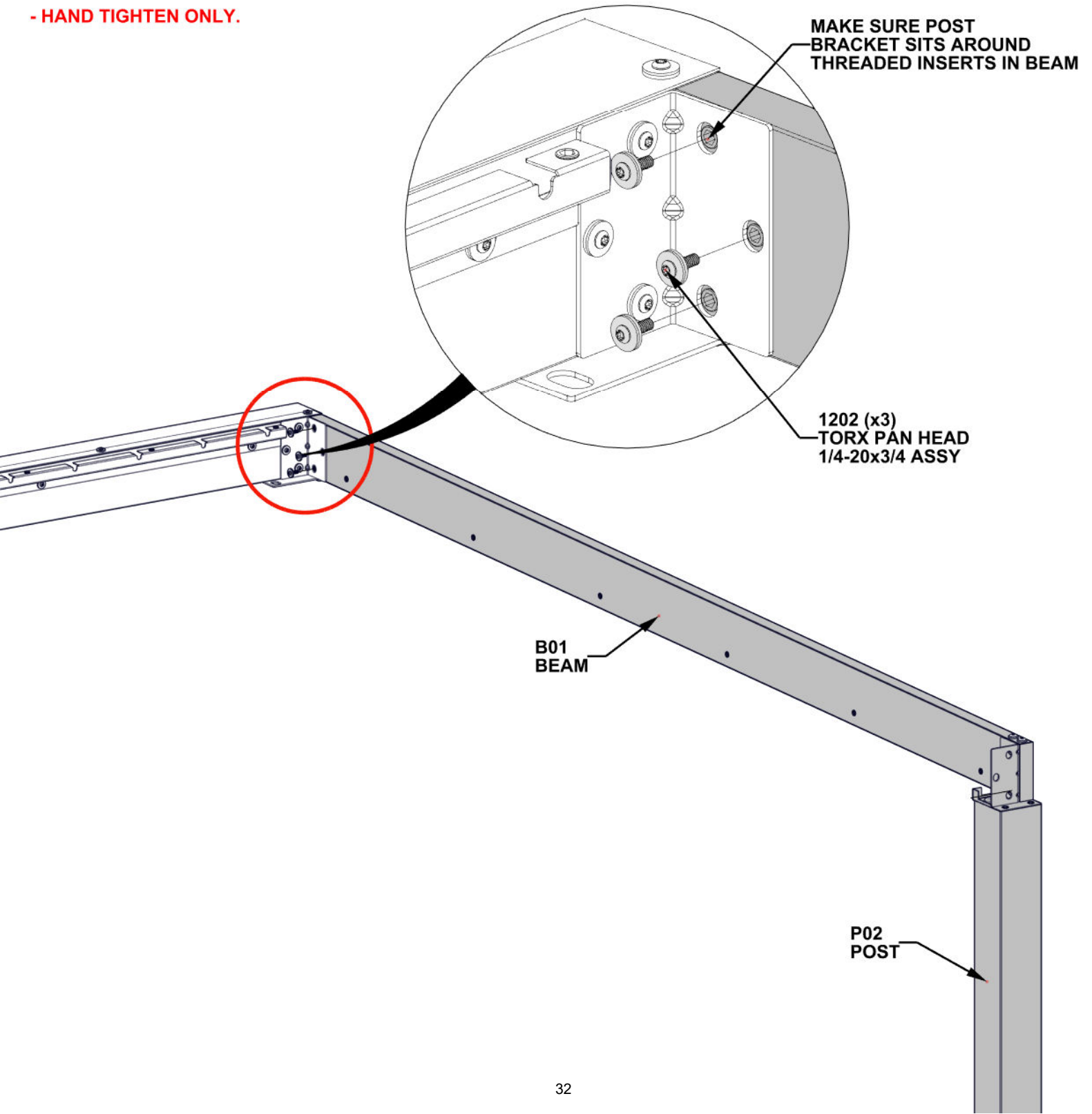
- HAND TIGHTEN ONLY.



# STEP 10C - RIGHT FRAME ASSEMBLY

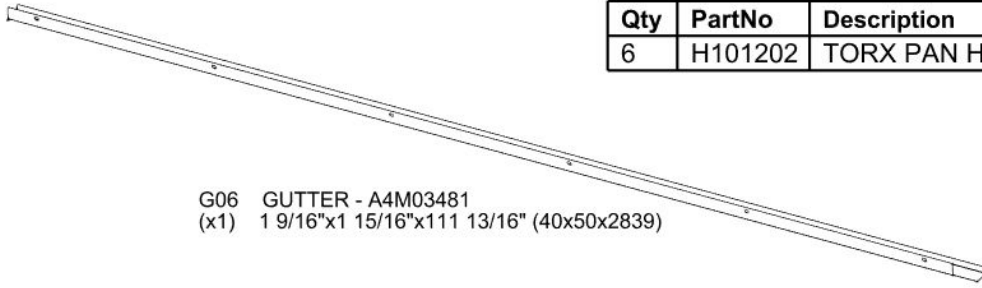
Qty	PartNo	Description
3	H101202	TORX PAN HEAD 1/4-20x3/4 ASSY

**- HAND TIGHTEN ONLY.**

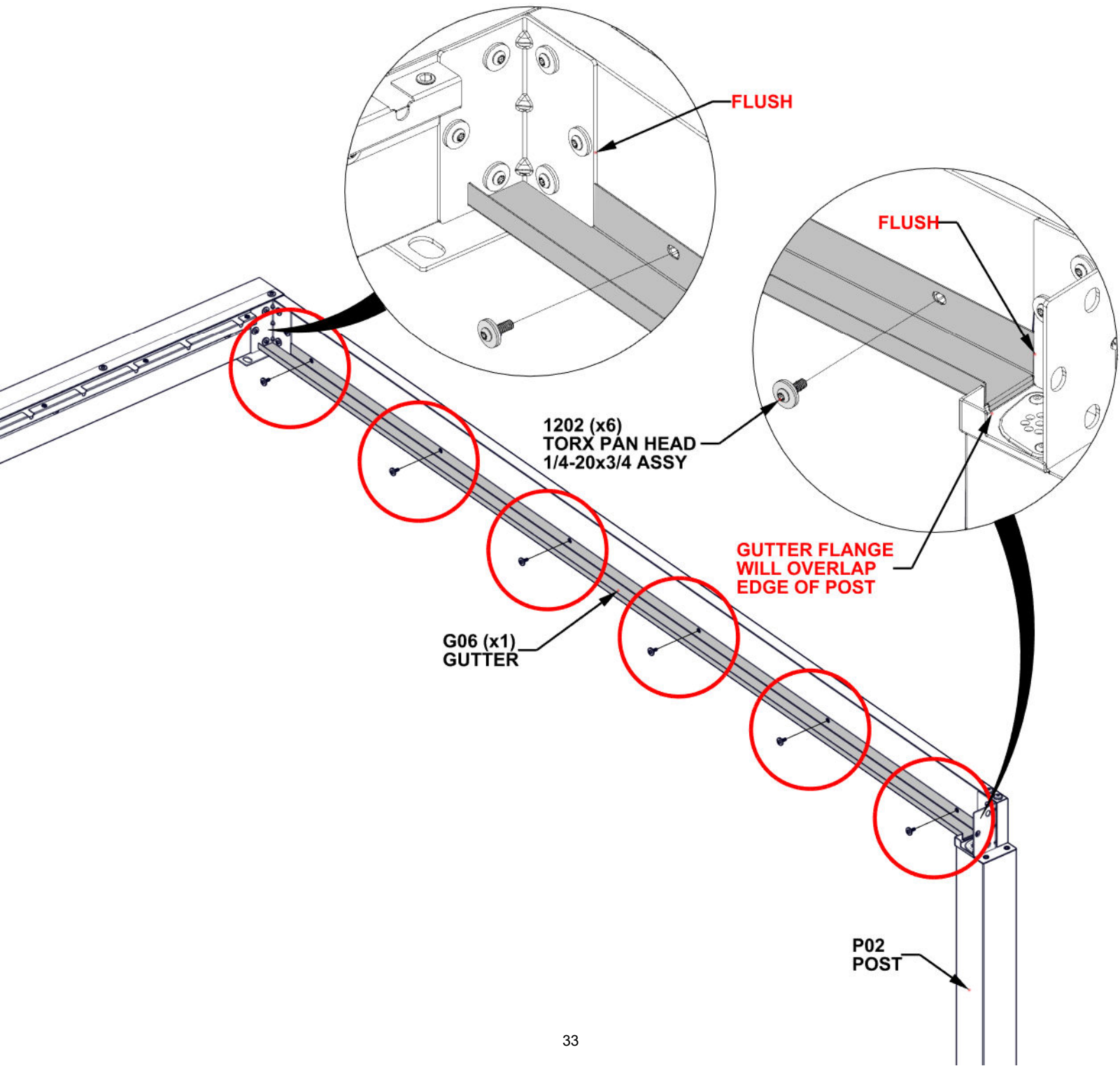


# STEP 11 - RIGHT GUTTER ATTACHMENT

Qty	PartNo	Description
6	H101202	TORX PAN HEAD 1/4-20x3/4 ASSY



- WITH AN ADDITIONAL PERSON, ATTACH GUTTER TO BEAM.
- MAKE SURE ENDS OF GUTTER SIT ON TOP SURFACE OF EACH POST BRACKET.
- TIGHTEN ALL HARDWARE FROM PREVIOUS STEPS.



# STEP 12 - FRONT BEAM ASSEMBLY

Qty	PartNo	Description
6	H101202	TORX PAN HEAD 1/4-20x3/4 ASSY



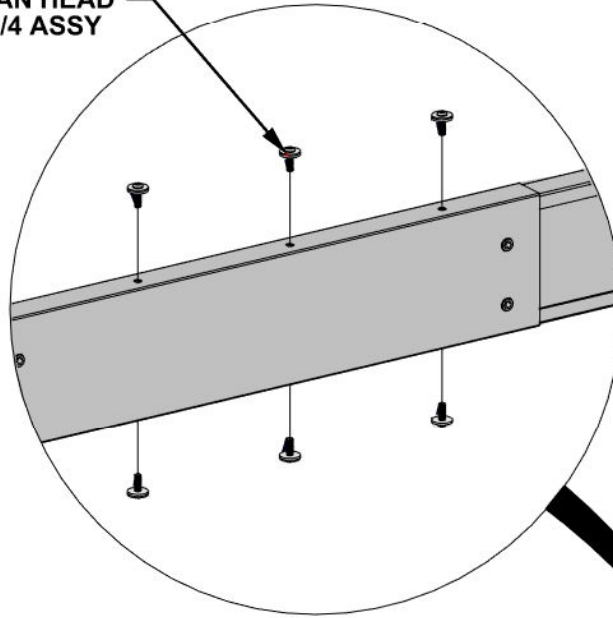
B03 BEAM - A4M02575  
 (x1) 1 7/16"x5 1/4"x97 3/16" (36x134x2468)



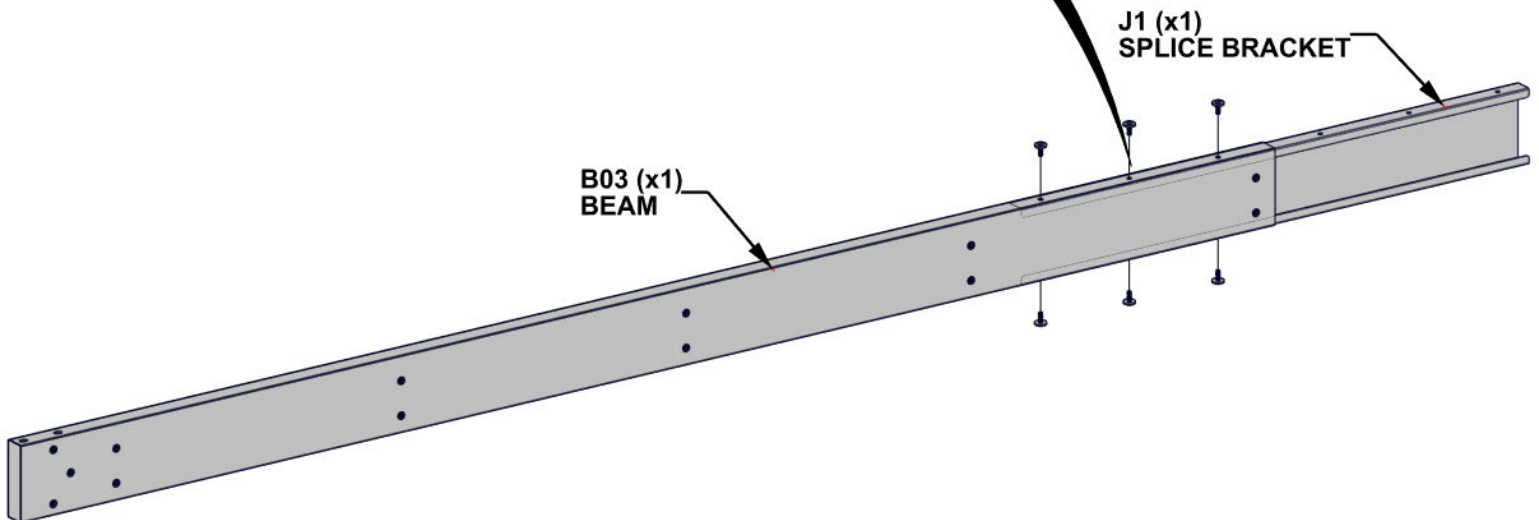
J1 SPLICE BRACKET - A4M02230  
 (x1) 1 5/16"x5 3/16"x39 3/8" (33.2x131.2x1000)

**- HAND TIGHTEN ONLY.**

1202 (x6)  
 TORX PAN HEAD  
 1/4-20x3/4 ASSY



BEAM AND SPLICE MUST BE ORIENTED AS SHOWN BELOW. SLIDE J1 INTO B03 AND LINE UP THREE HOLES TOP AND BOTTOM.



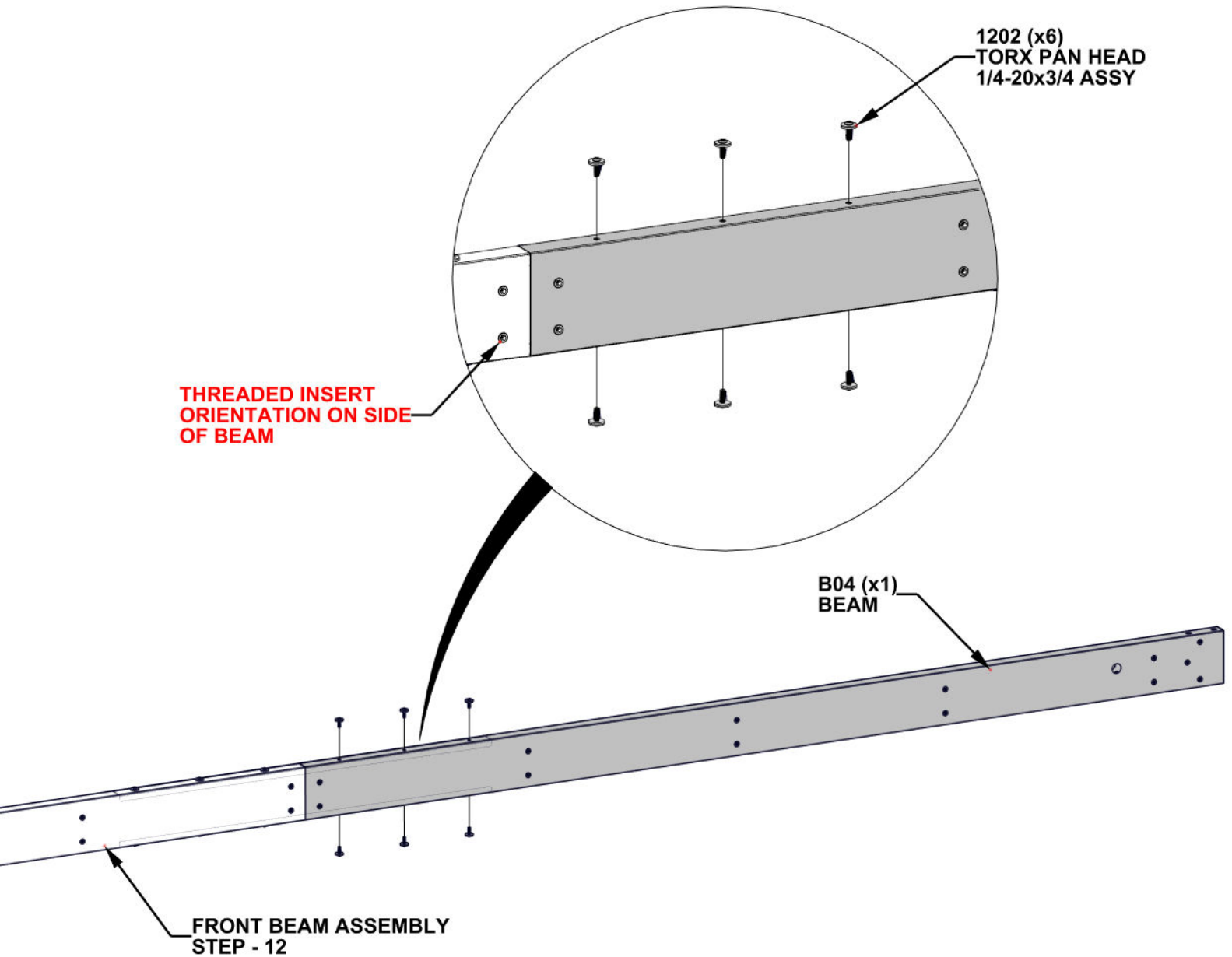
# STEP 13 - FRONT BEAM ASSEMBLY

Qty	PartNo	Description
6	H101202	TORX PAN HEAD 1/4-20x3/4 ASSY



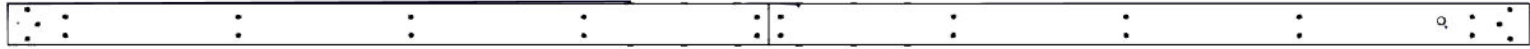
B04 BEAM - A4M02576  
(x1) 1 7/16"x5 1/4"x97 3/16" (36x134x2468)

- SLIDE B04 ONTO SPLICE BRACKET.
- GENTLY TAP ENDS OF ASSEMBLY WITH RUBBER Mallet UNTIL GAP CLOSES, THEN TIGHTEN ALL BOLTS ON BEAM.



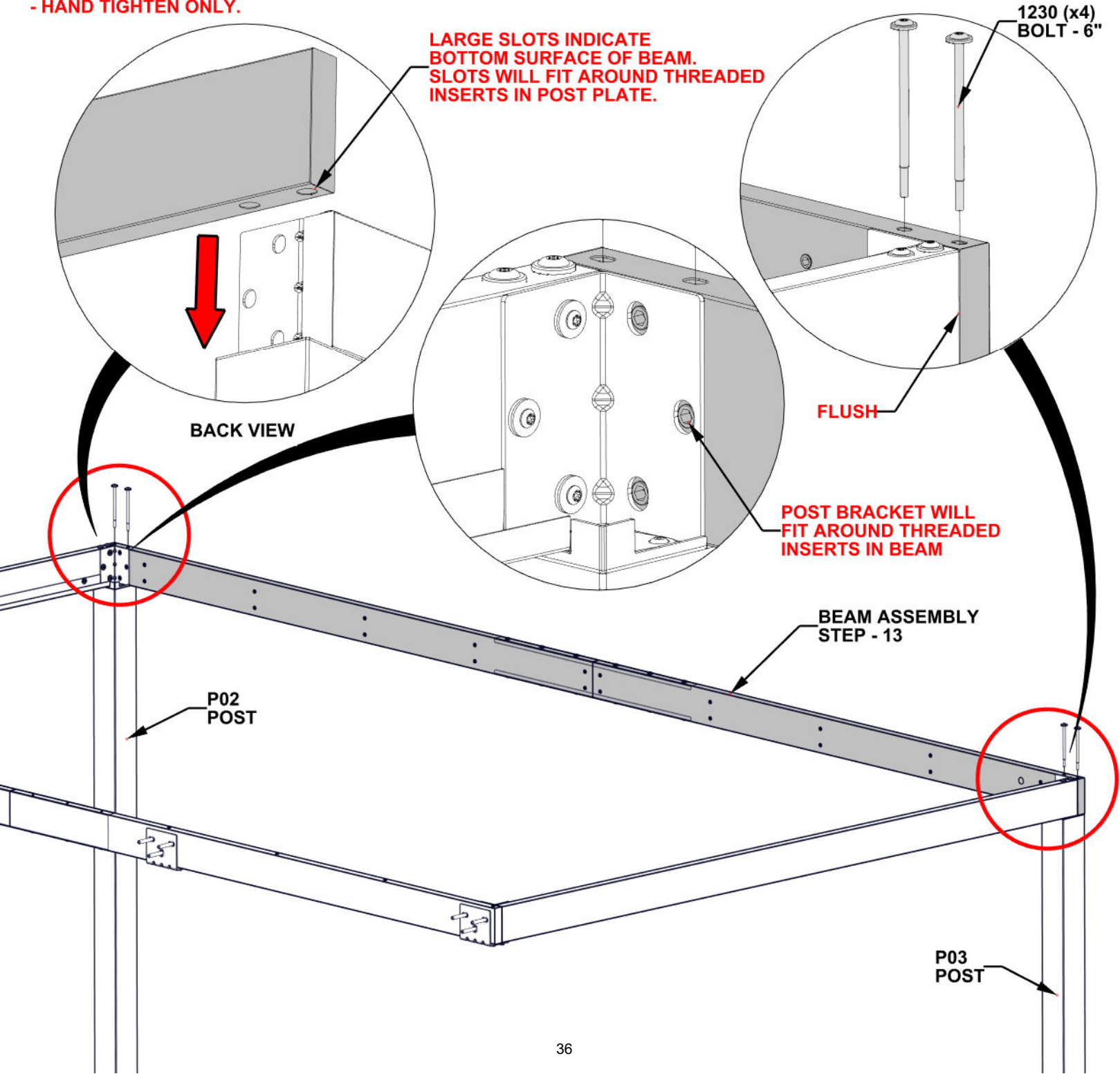
# STEP 14A - FRONT FRAME ASSEMBLY

Qty	PartNo	Description
4	H101230	BOLT WH 5/16x6 S.S.



BEAM ASSEMBLY  
STEP - 13

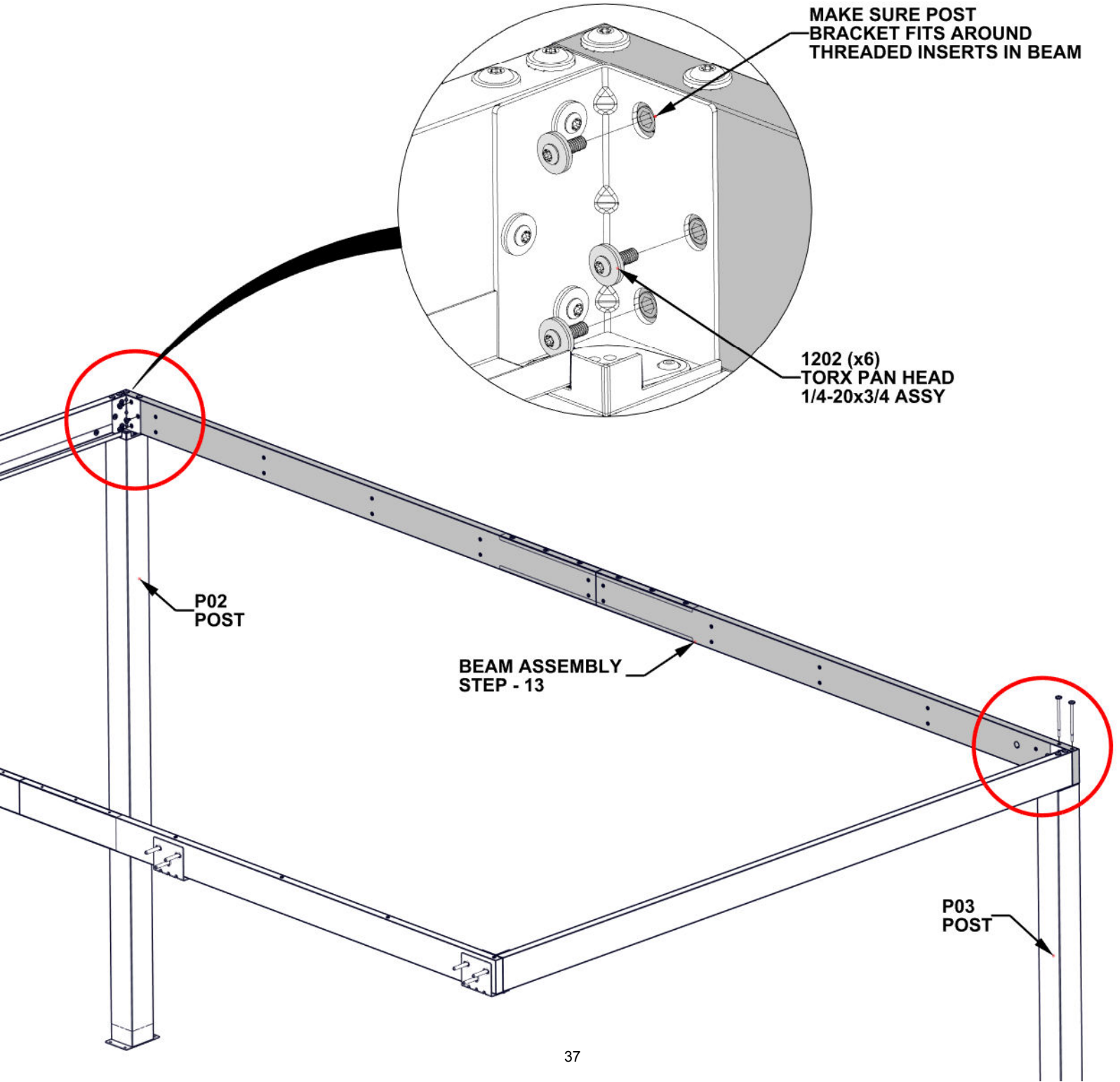
- WITH AT LEAST TWO EXTRA PEOPLE, ATTACH BEAM ASSEMBLY FROM PREVIOUS STEPS TO P02 AND P03 POST.
- ALIGN SLOTS IN BEAM WITH THREADED INSERTS ON TOP PLATE. FLUSH ALL SIDES OF BEAM AND POST.
- HAND TIGHTEN ONLY.



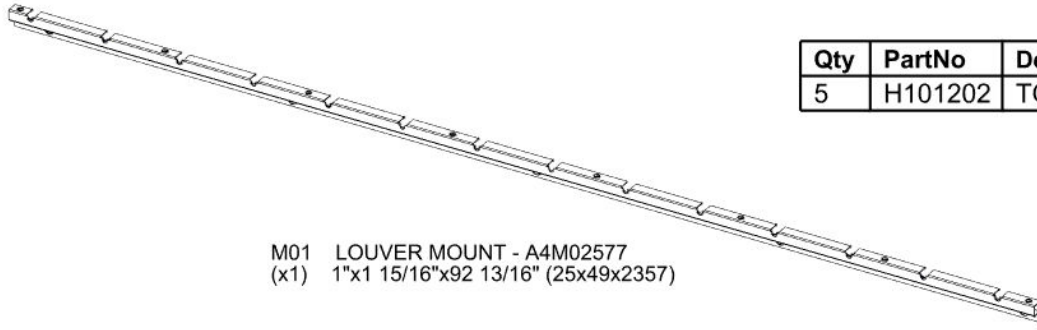
# STEP 14B - FRONT FRAME ASSEMBLY

Qty	PartNo	Description
6	H101202	TORX PAN HEAD 1/4-20x3/4 ASSY

- TIGHTEN ALL HARDWARE FROM PREVIOUS STEPS.



# STEP 15 - FRONT BEAM LOUVER MOUNT ATTACHMENT

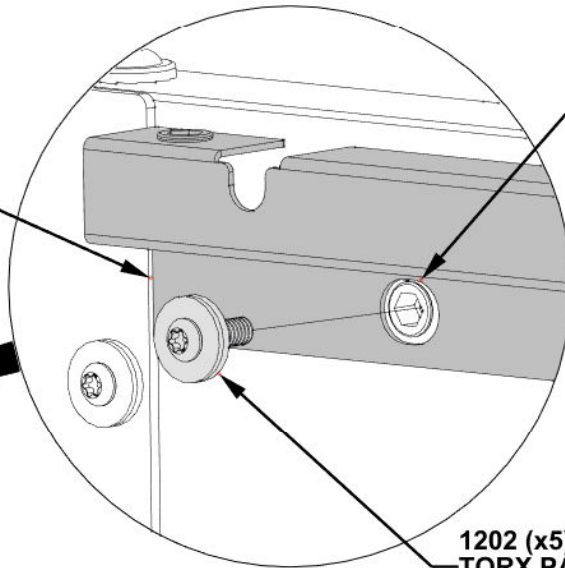


Qty	PartNo	Description
5	H101202	TORX PAN HEAD 1/4-20x3/4 ASSY

M01 LOUVER MOUNT - A4M02577  
(x1) 1"x1 15/16"x92 13/16" (25x49x2357)

**FLUSH MOUNT WITH  
EDGE OF POST BRACKET**

LOUVER MOUNT WILL  
FIT AROUND THREADED  
INSERTS IN BEAM



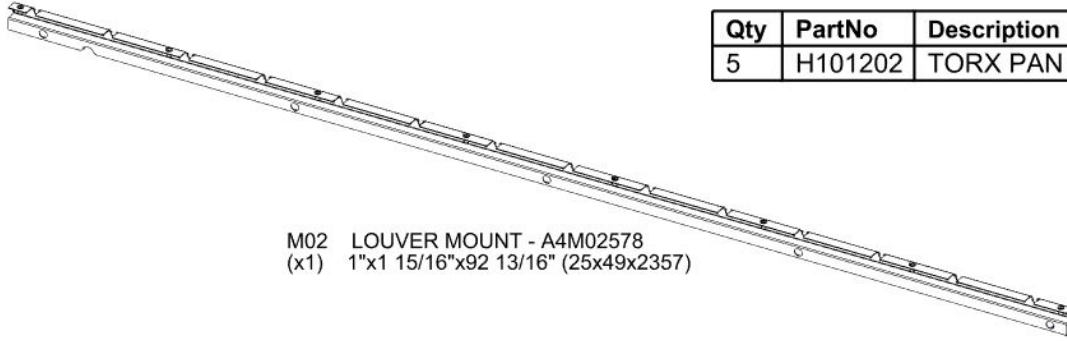
1202 (x5)  
TORX PAN HEAD  
1/4-20x3/4 ASSY

M01 (x1)  
LOUVER MOUNT

P02  
POST

# STEP 16 - FRONT BEAM LOUVER MOUNT ATTACHMENT

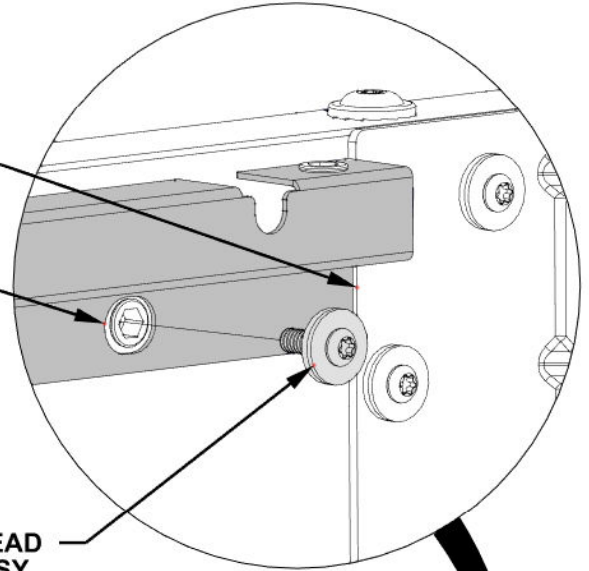
Qty	PartNo	Description
5	H101202	TORX PAN HEAD 1/4-20x3/4 ASSY



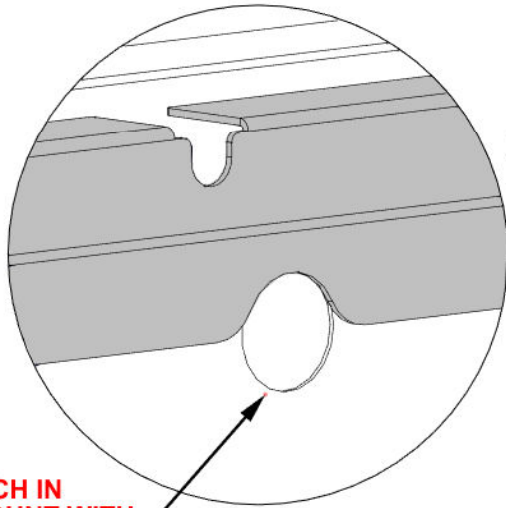
M02 LOUVER MOUNT - A4M02578  
 (x1) 1"x1 15/16"x92 13/16" (25x49x2357)

**FLUSH MOUNT WITH EDGE OF POST BRACKET**

LOUVER MOUNT WILL FIT AROUND THREADED INSERTS IN BEAM



1202 (x5)  
 TORX PAN HEAD  
 1/4-20x3/4 ASSY

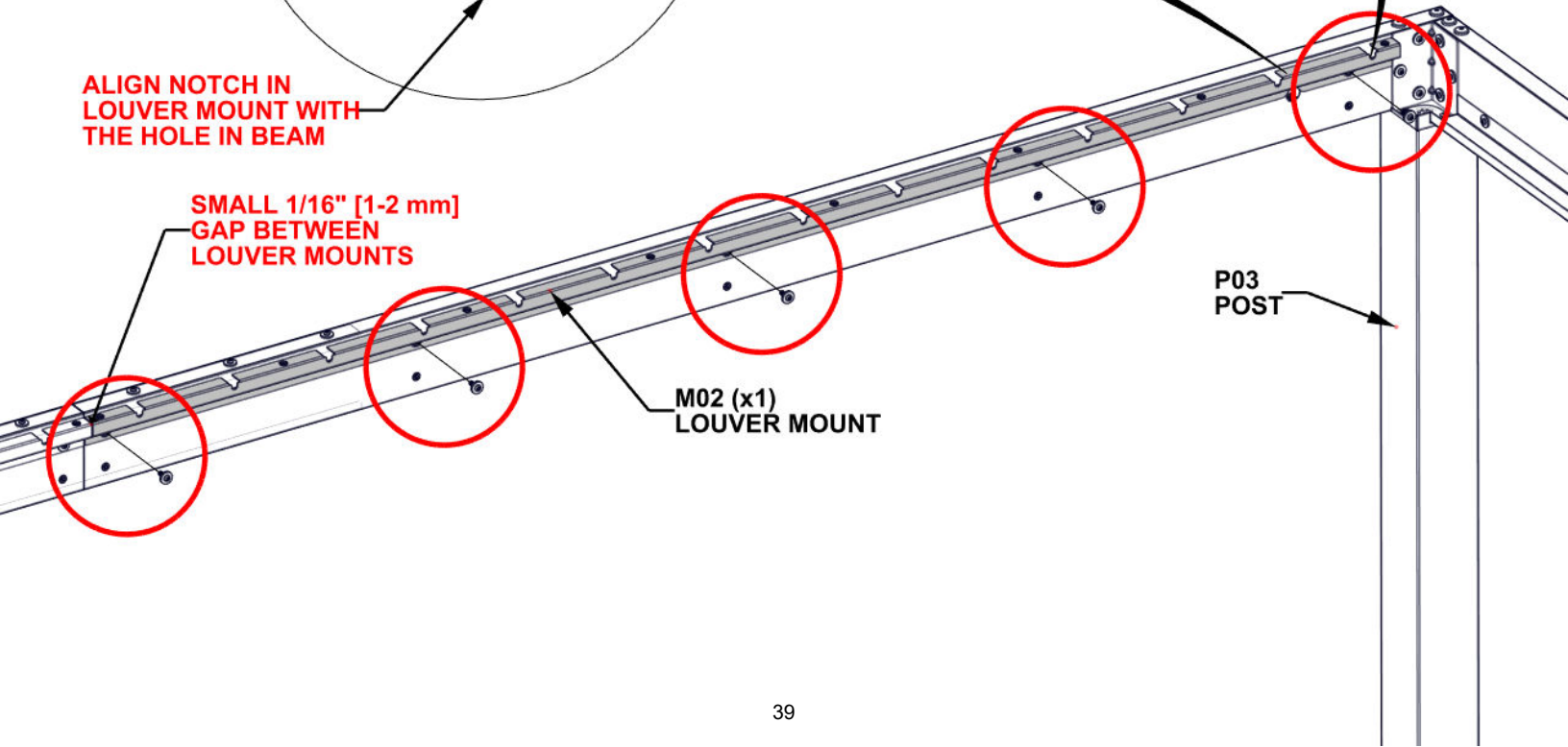


**ALIGN NOTCH IN LOUVER MOUNT WITH THE HOLE IN BEAM**

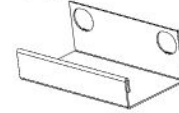
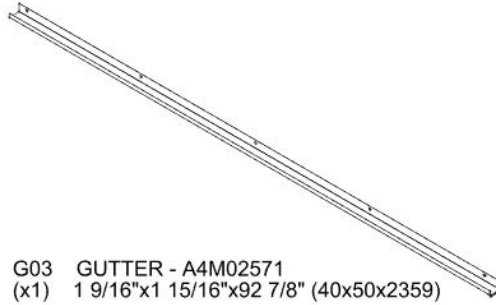
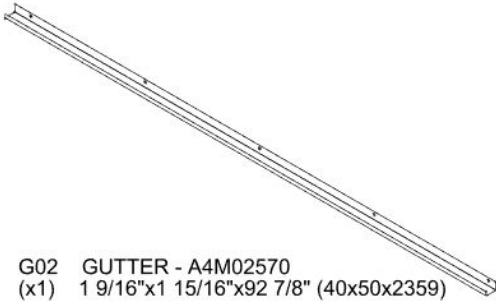
**SMALL 1/16" [1-2 mm] GAP BETWEEN LOUVER MOUNTS**

M02 (x1)  
 LOUVER MOUNT

P03  
 POST

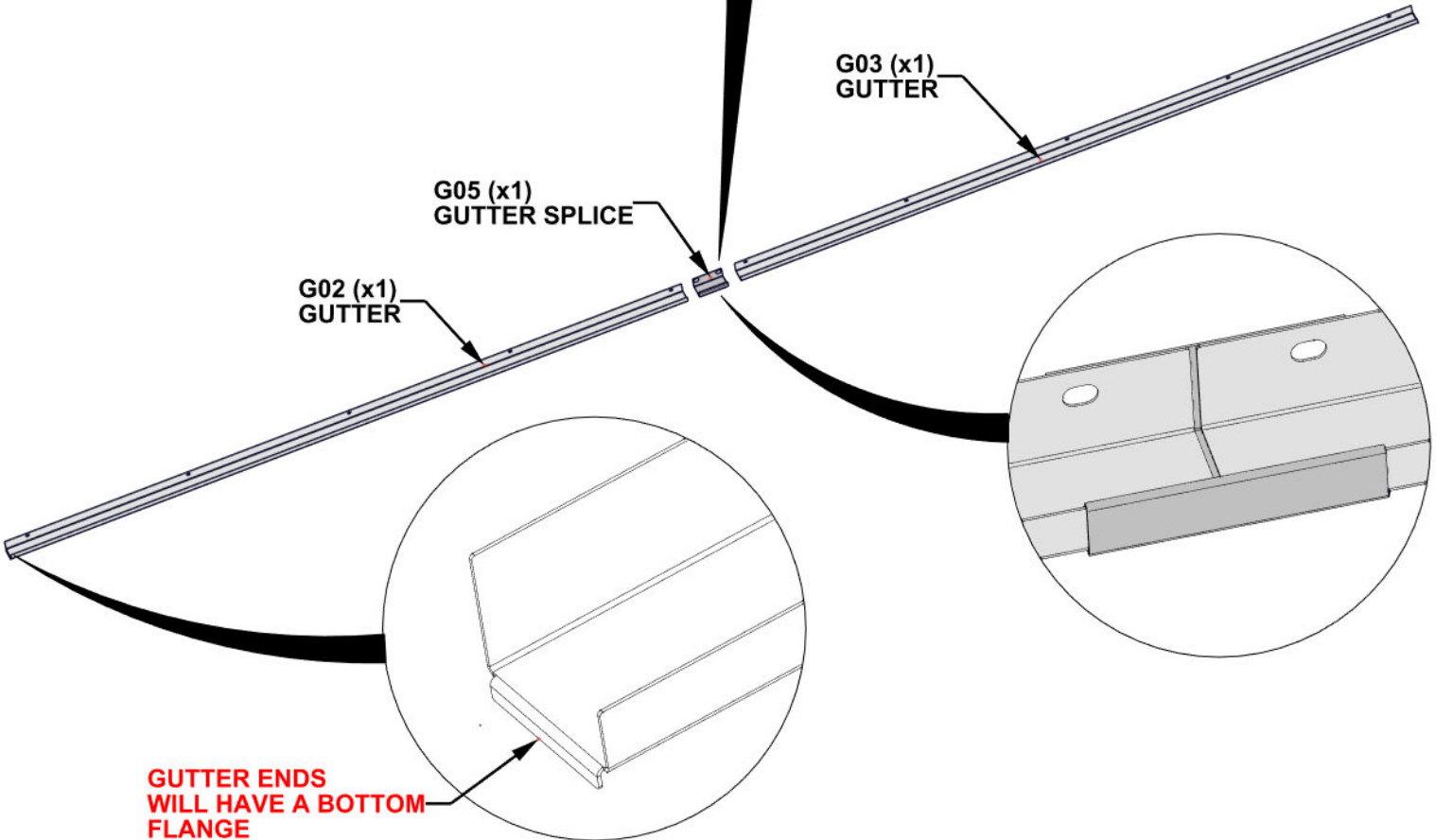
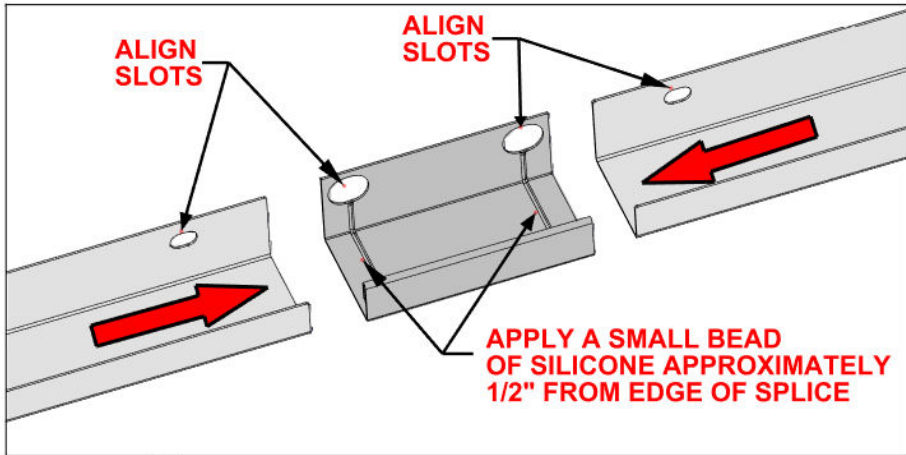


# STEP 17A - FRONT BEAM LOUVER MOUNT ATTACHMENT



- MEASURE APPROXIMATELY 1/2" [13mm] FROM EACH END OF GUTTER SPLICE AND APPLY A FINE BEAD OF SILICONE.
- SLIDE BOTH G02 AND G03 GUTTERS INTO SPLICE, ALIGNING SLOTS (ENDS WILL ALMOST BE TOUCHING).
- WIPE OFF ANY EXCESS SILICONE USING A RAG OR PAPER TOWEL.

- GLOVES ARE RECOMMENDED WHEN APPLYING SILICONE
- MAKE SURE SURFACE OF GUTTER SPLICE IS CLEAN, DRY, AND FREE OF ANY DIRT/DEBRIS.

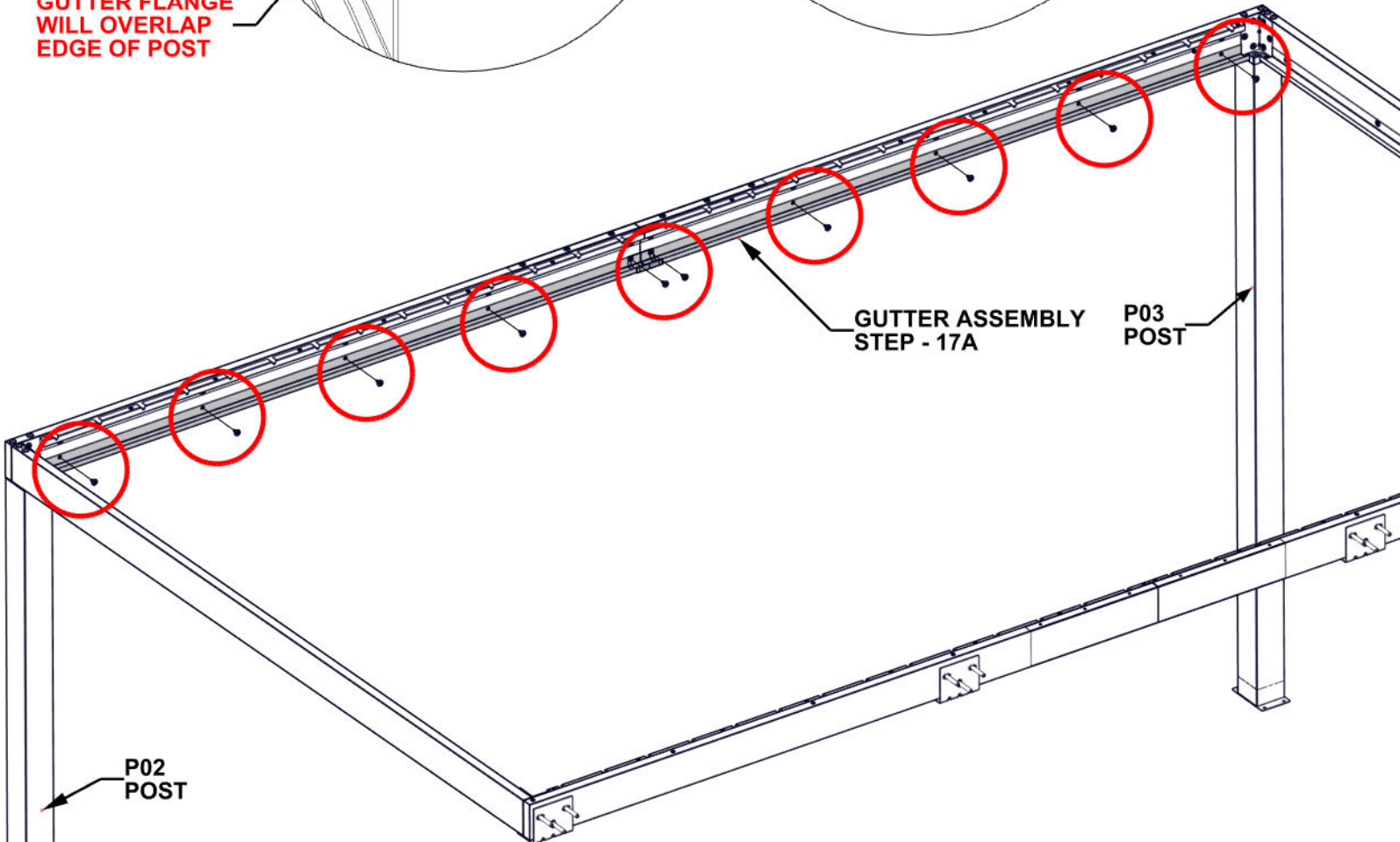
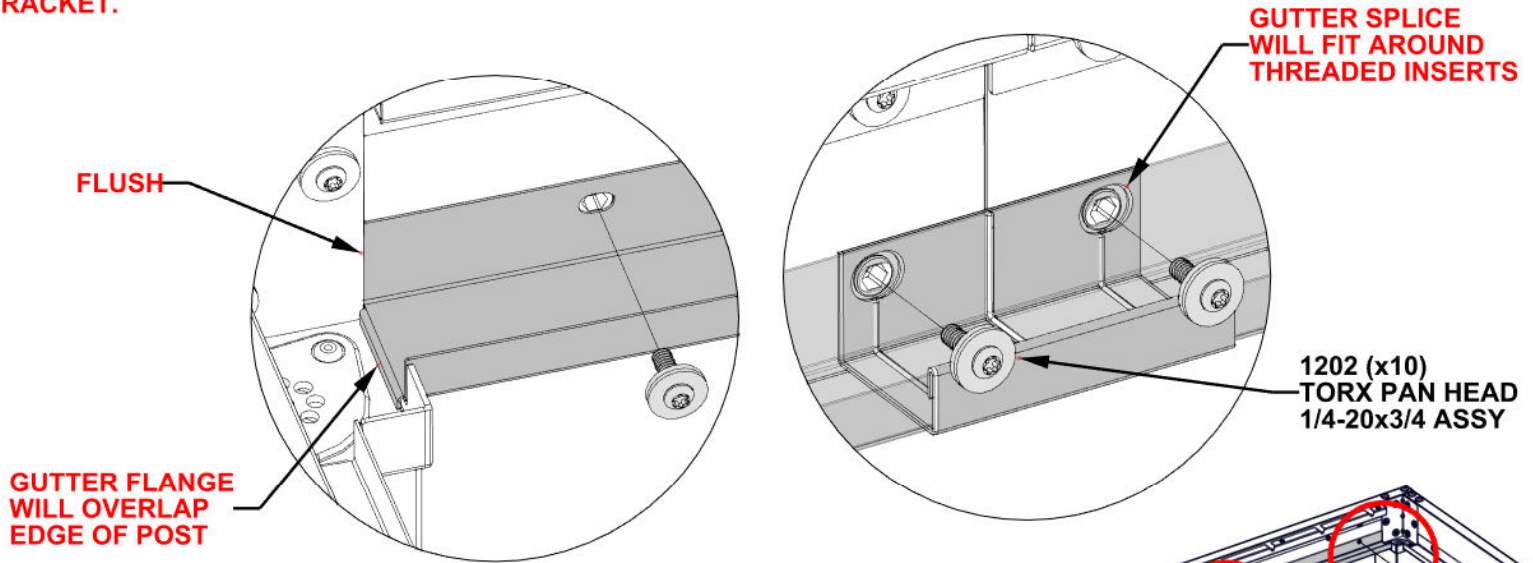


# STEP 17B - FRONT BEAM GUTTER ATTACHMENT



Qty	PartNo	Description
10	H101202	TORX PAN HEAD 1/4-20x3/4 ASSY

- WITH AT LEAST TWO PEOPLE ATTACH GUTTER ASSEMBLY FROM PREVIOUS STEP TO BEAM.
- MAKE SURE ENDS OF GUTTER SIT ON TOP SURFACE OF EACH POST BRACKET.

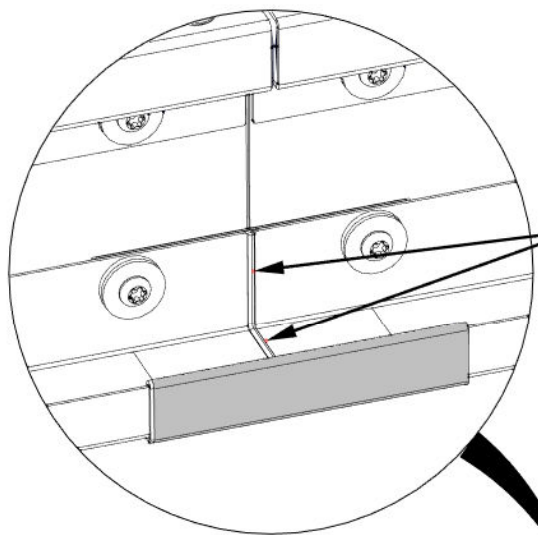


# STEP 17C - FRONT BEAM GUTTER ATTACHMENT

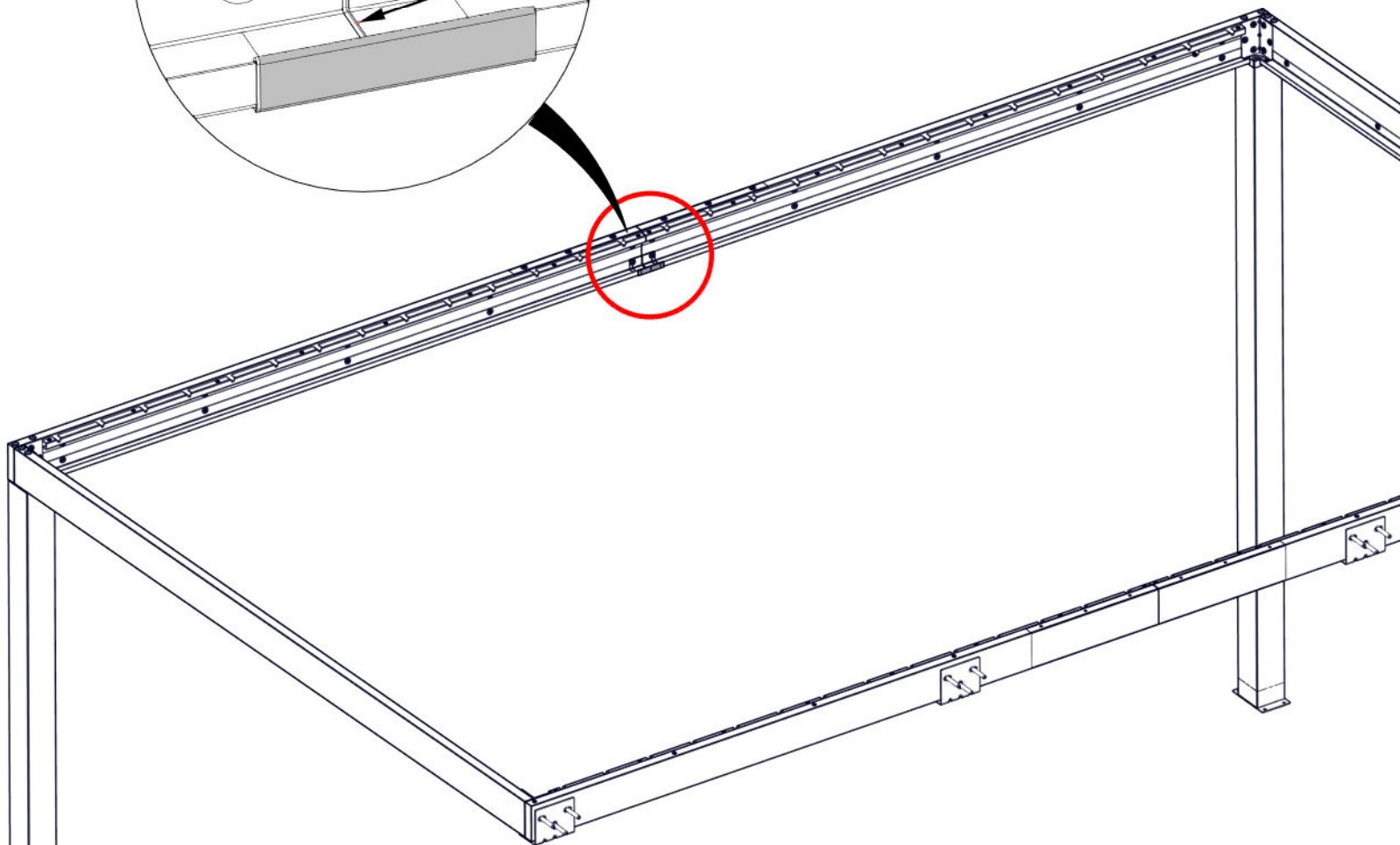


A6P00796 SILICONE  
(x1)

- APPLY A FINE BEAD OF SILICONE ALONG INSIDE SURFACE OF GUTTER WHERE TWO GUTTER PIECES MEET.
- SMOOTH SILICONE ALONG SEAM, WIPING EXCESS USING A RAG OR PAPER TOWEL.
- **GLOVES ARE RECOMMENDED WHEN APPLYING SILICONE.**
- **MAKE SURE SURFACE OF GUTTER IS CLEAN, DRY, AND FREE OF ANY DIRT/DEBRIS.**



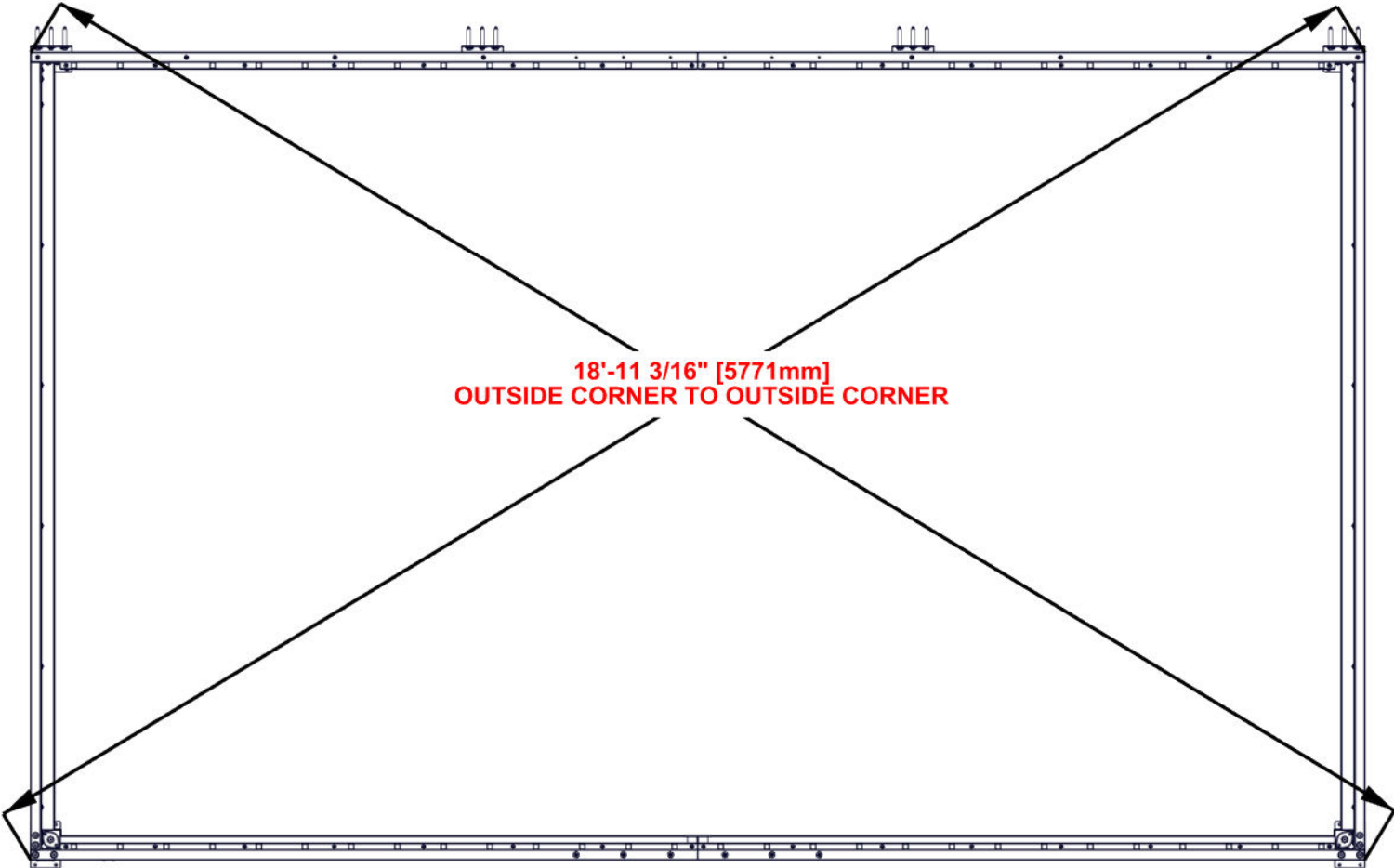
**APPLY A FINE  
BEAD OF SILICONE  
ALONG INSIDE SEAM  
OF GUTTER**



# STEP 18 - SQUARE STRUCTURE

**CRITICAL: SQUARE ASSEMBLY BEFORE PROCEEDING TO NEXT STEPS.  
ONCE SQUARE, MAKE SURE ALL HARDWARE HAS BEEN  
TIGHTENED FROM PREVIOUS STEPS.**

**MEASUREMENTS TAKEN FROM OUTSIDE CORNER TO OUTSIDE CORNER OF STRUCTURE.**



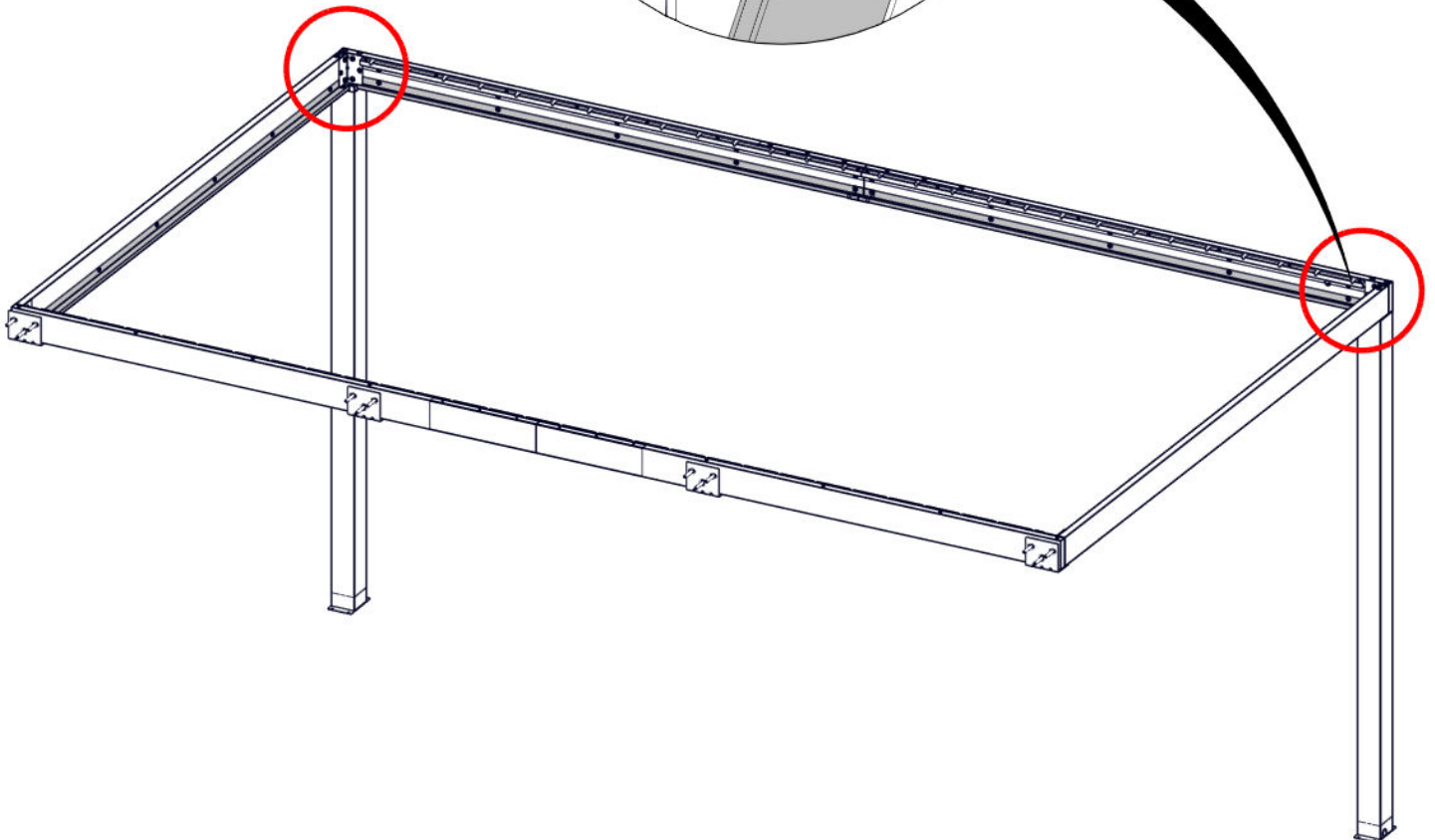
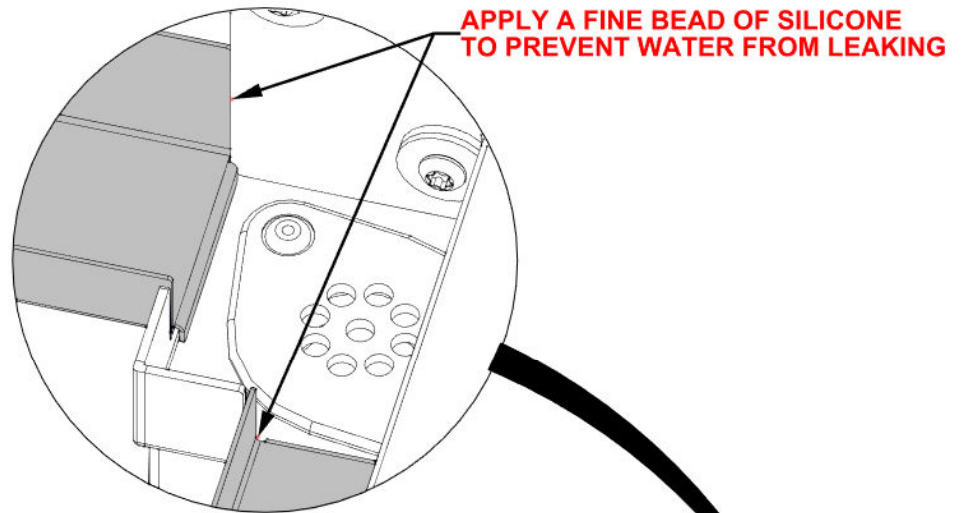
# STEP 19 - GUTTER SEALANT



A6P00796 SILICONE  
(x1)

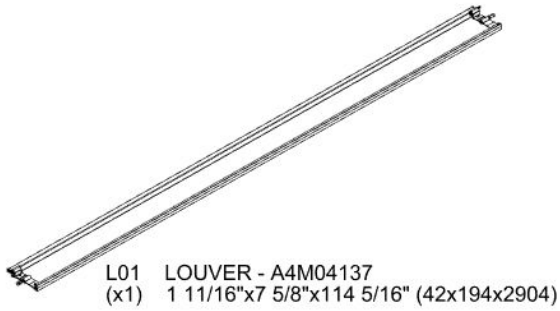
- APPLY A FINE BEAD OF SILICONE ALONG INSIDE SURFACE OF GUTTER WHERE GUTTER PIECES MEET POST.
- SMOOTH SILICONE ALONG SEAM, WIPING EXCESS USING A RAG OR PAPER TOWEL.

- GLOVES ARE RECOMMENDED WHEN APPLYING SILICONE.
- MAKE SURE SURFACE OF GUTTER IS CLEAN, DRY, AND FREE OF DIRT/DEBRIS.
- REPEAT THIS STEP FOR ALL GUTTER ATTACHMENT POINTS AT BOTH POST.



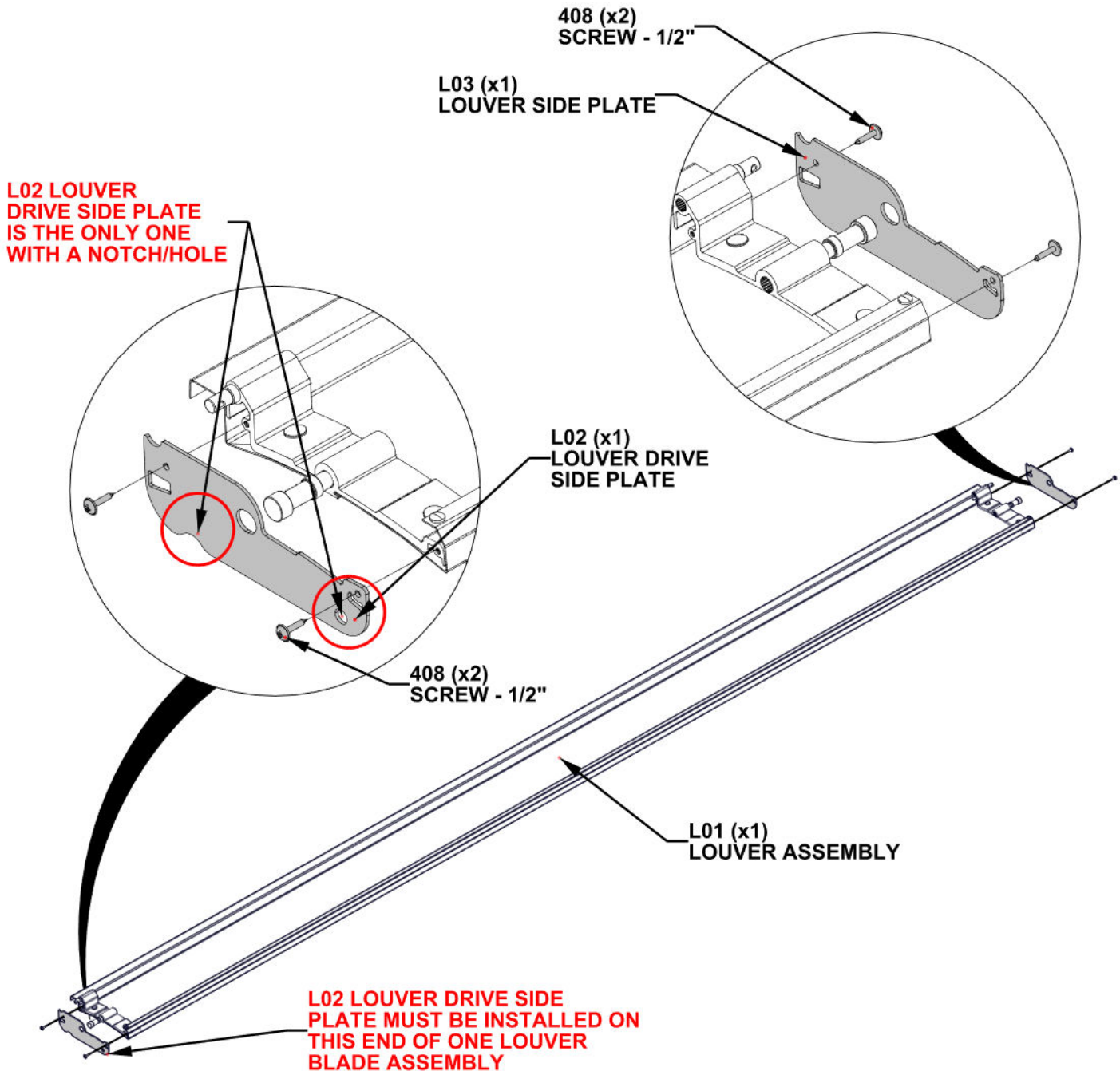
# STEP 20 - DRIVE LOUVER ASSEMBLY

Qty	PartNo	Description
4	H100202	SCREW PWH 8x5/8 BLK



**- DO NOT OVERTIGHTEN SCREWS.**

**- FOR EASE OF ASSEMBLY, WE RECOMMEND USING SAWHORSES FOR THIS STEP.**



# STEP 21 - DRIVE LOUVER ASSEMBLY

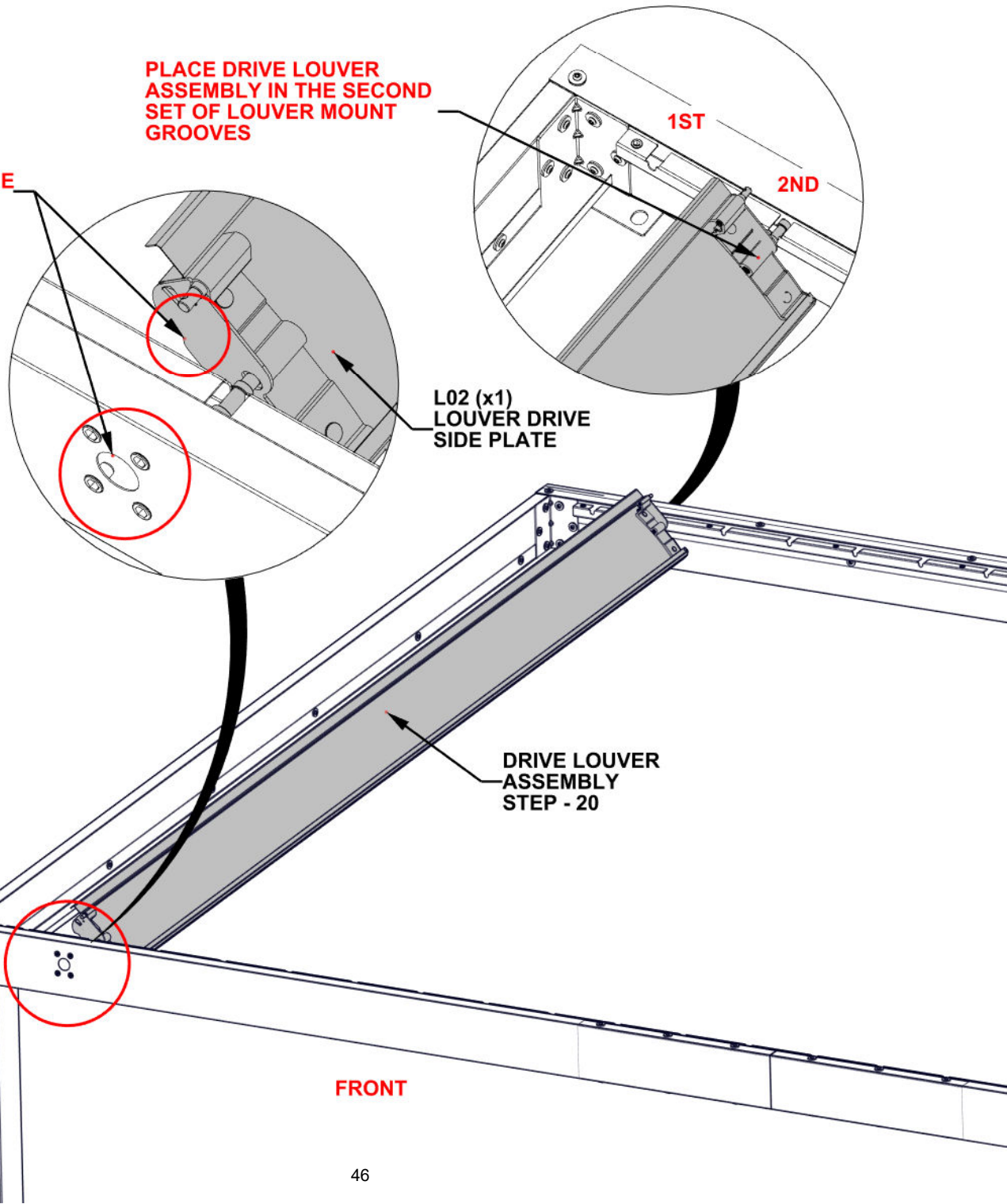


DRIVE LOUVER ASSEMBLY  
STEP - 20

- ORIENTATION OF LOUVER WILL BE DETERMINED BY THE SIDE BEAM WITH FOUR THREADED INSERTS.
- PLACE DRIVE LOUVER FROM PREVIOUS STEP IN THE SECOND SET OF LOUVER MOUNT GROOVES. L02 DRIVE PLATE WILL BE ON SAME SIDE AS FOUR THREADED INSERTS IN BEAM.

PLACE DRIVE LOUVER ASSEMBLY IN THE SECOND SET OF LOUVER MOUNT GROOVES

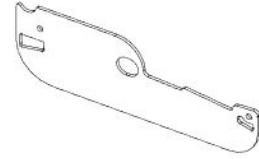
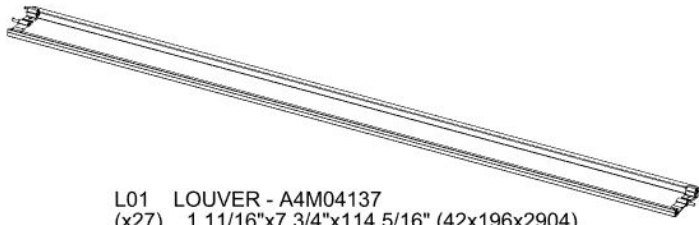
L02 SIDE PLATE MUST BE ON THE SAME END AS THE FOUR THREADED INSERTS



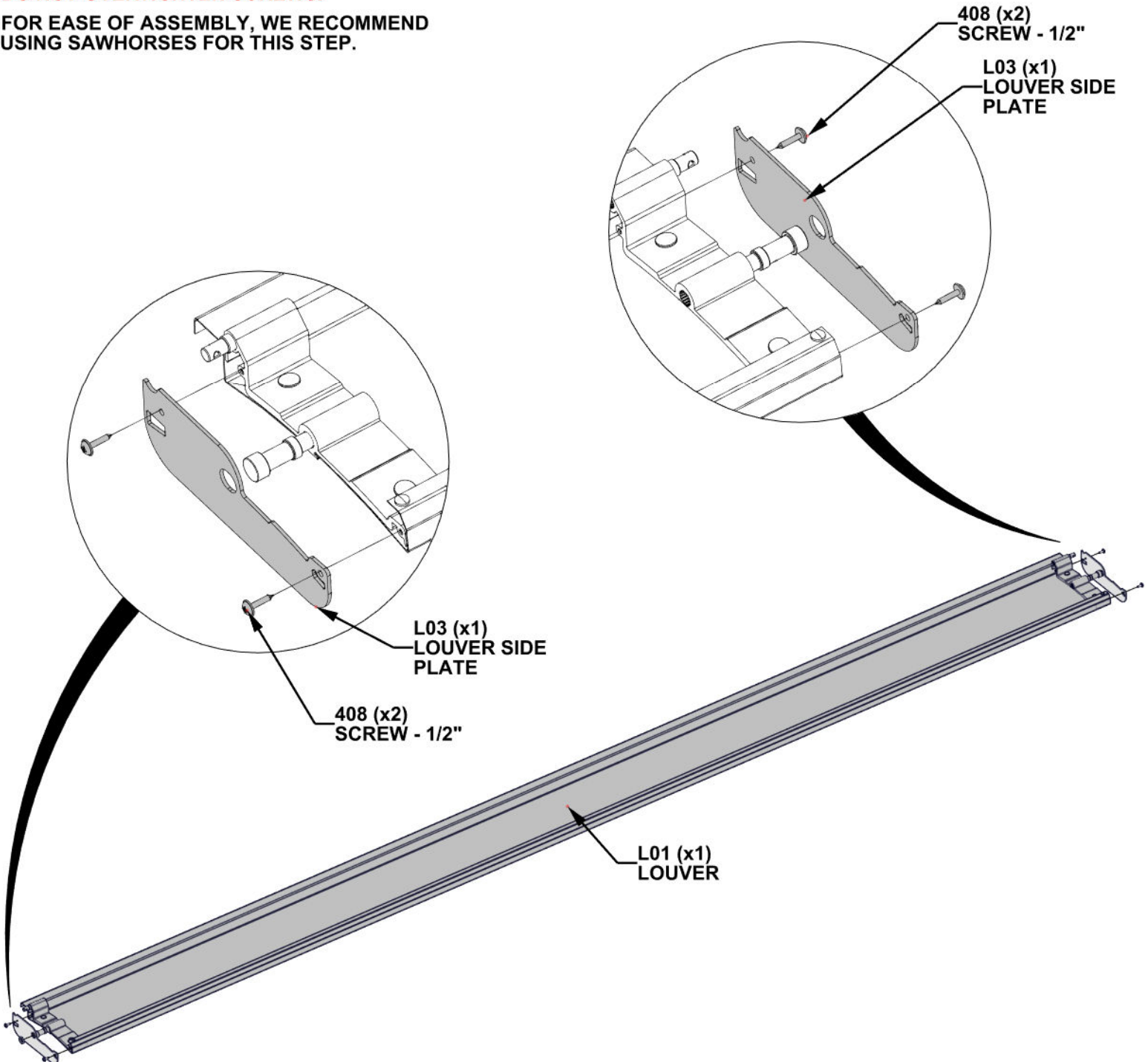
FRONT

# STEP 22 - LOUVER ASSEMBLY

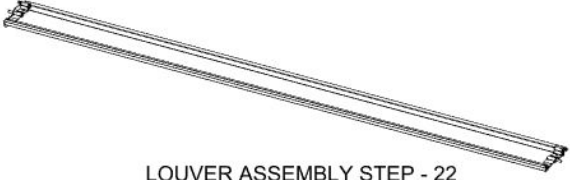
Qty	PartNo	Description
108	H100408	SCREW PWH 8x1/2 BLK



- REPEAT THIS STEP 27 TIMES.
- DO NOT OVERTIGHTEN SCREWS.
- FOR EASE OF ASSEMBLY, WE RECOMMEND USING SAWHORSES FOR THIS STEP.

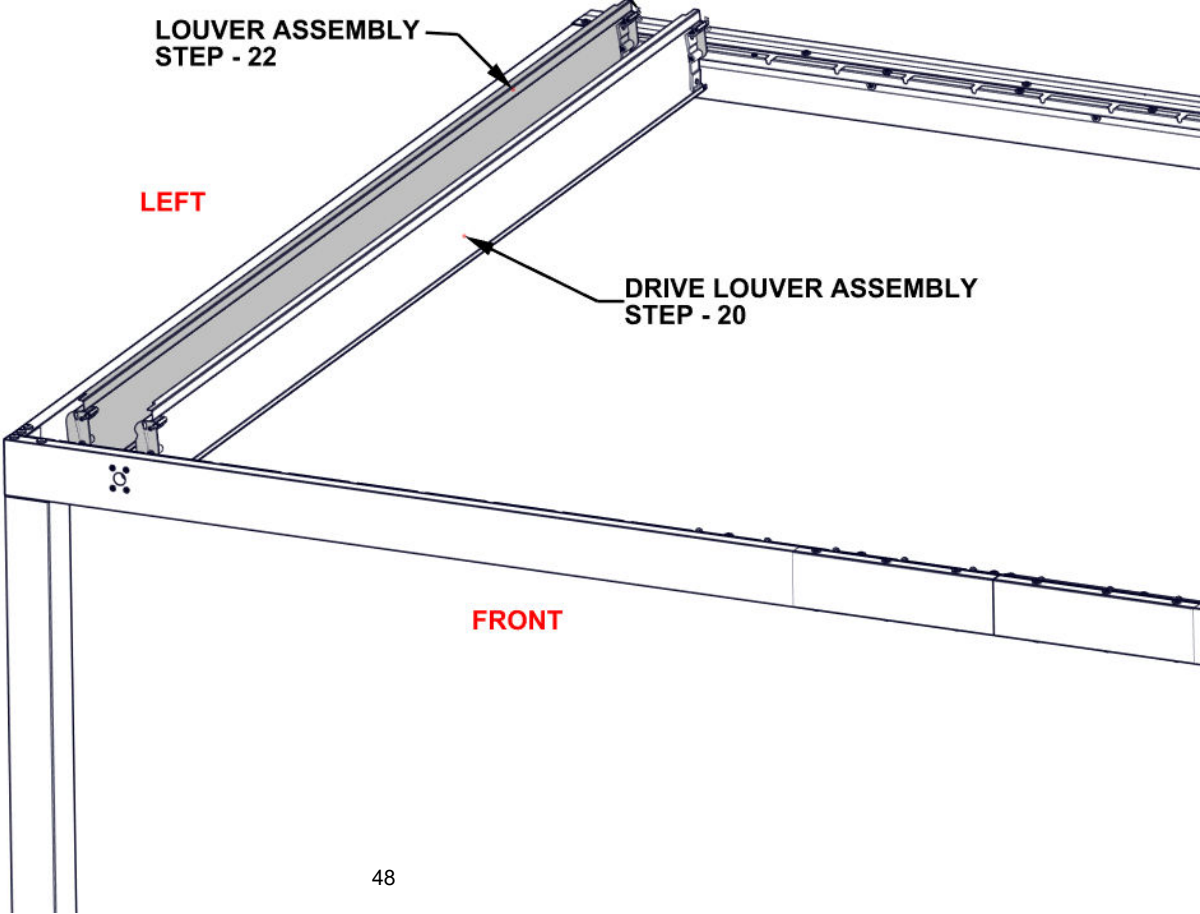
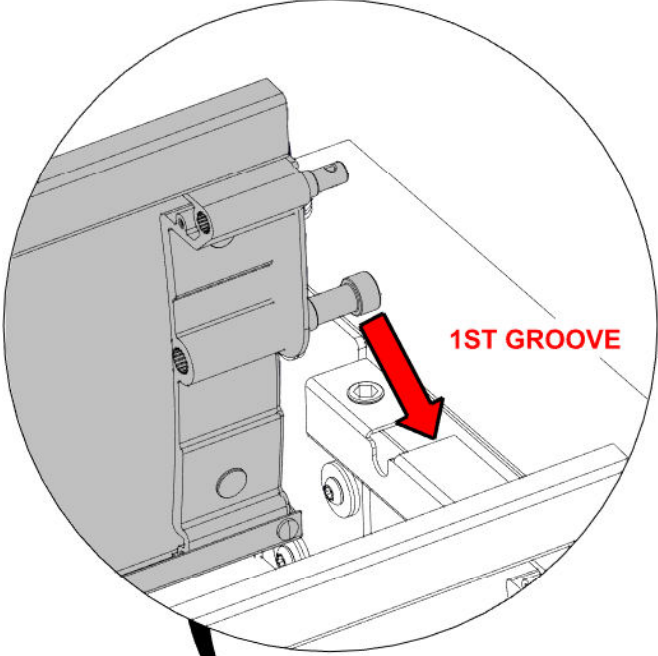


# STEP 23A - LOUVER INSTALLATION



LOUVER ASSEMBLY STEP - 22  
(x1)

- STARTING AT LEFT, PLACE THE LOUVER ASSEMBLY FROM STEP 22 INTO THE FIRST SET OF LOUVER MOUNT GROOVE AT THE BACK OF THE UNIT.
- PLACE THE ASSEMBLY DOWN IN THE CORRESPONDING GROOVES IN THE FRONT.



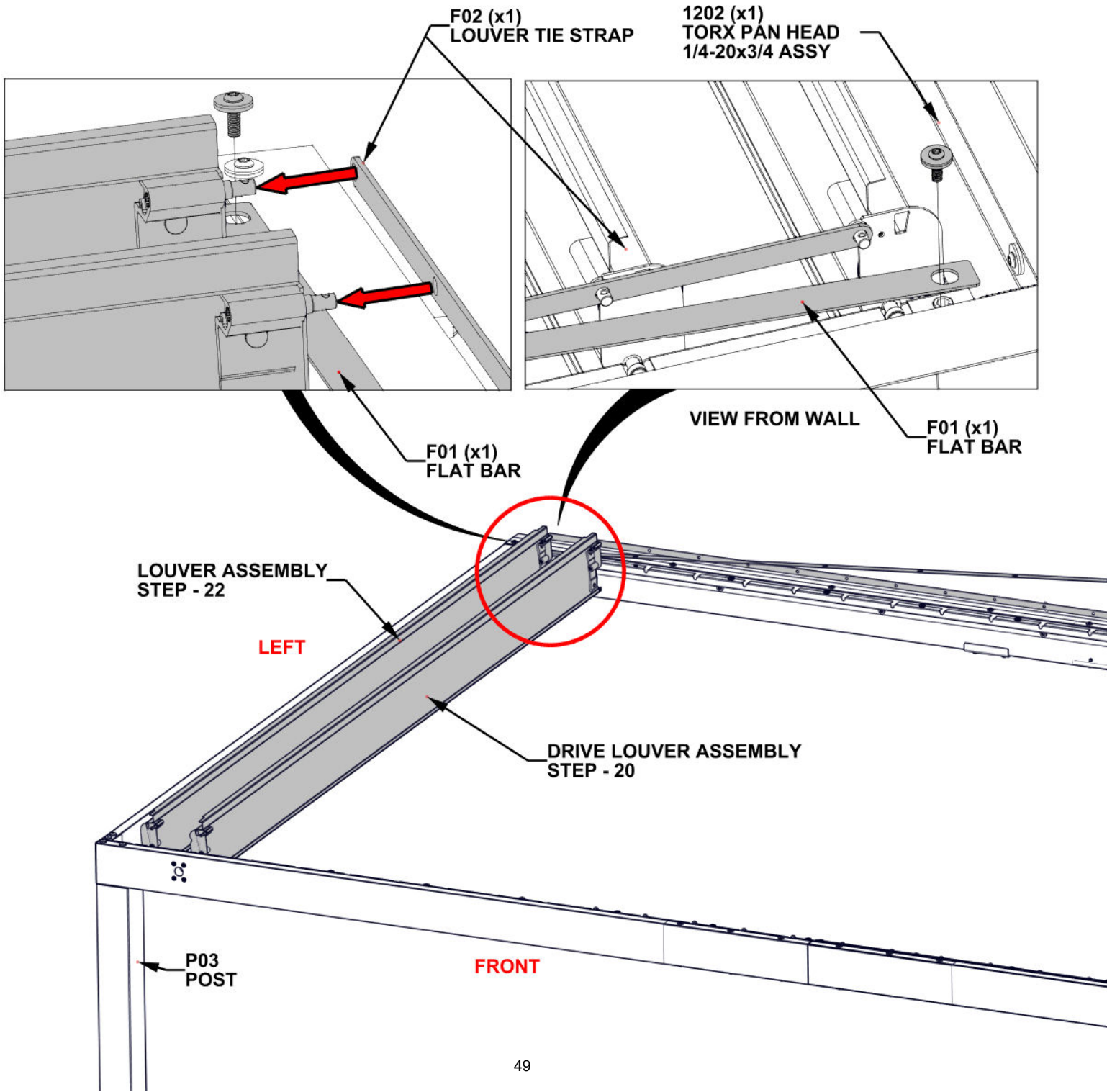
# STEP 23B - LOUVER INSTALLATION

Qty	PartNo	Description
1	H101202	TORX PAN HEAD 1/4-20x3/4 ASSY

F01 FLAT BAR - A4M02572  
(x1) 1/16"x1"x92 13/16" (2x25x2357)

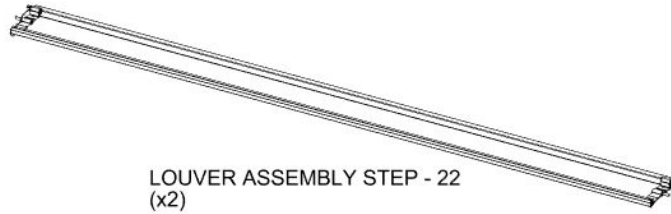
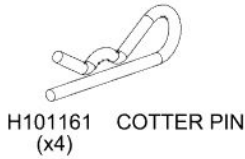
F02 LOUVER TIE STRAP - A4M02573  
(x1) 1/8"x13/16"x95 1/16" (3x20x2414)

- ON THE BACK SIDE, INSTALL FLAT BAR AND INSTALL ONE BOLT TO HOLD IN PLACE.
- ATTACH LOUVER TIE STRAP AND SLIDE OVER PINS ON LOUVER ASSEMBLIES.

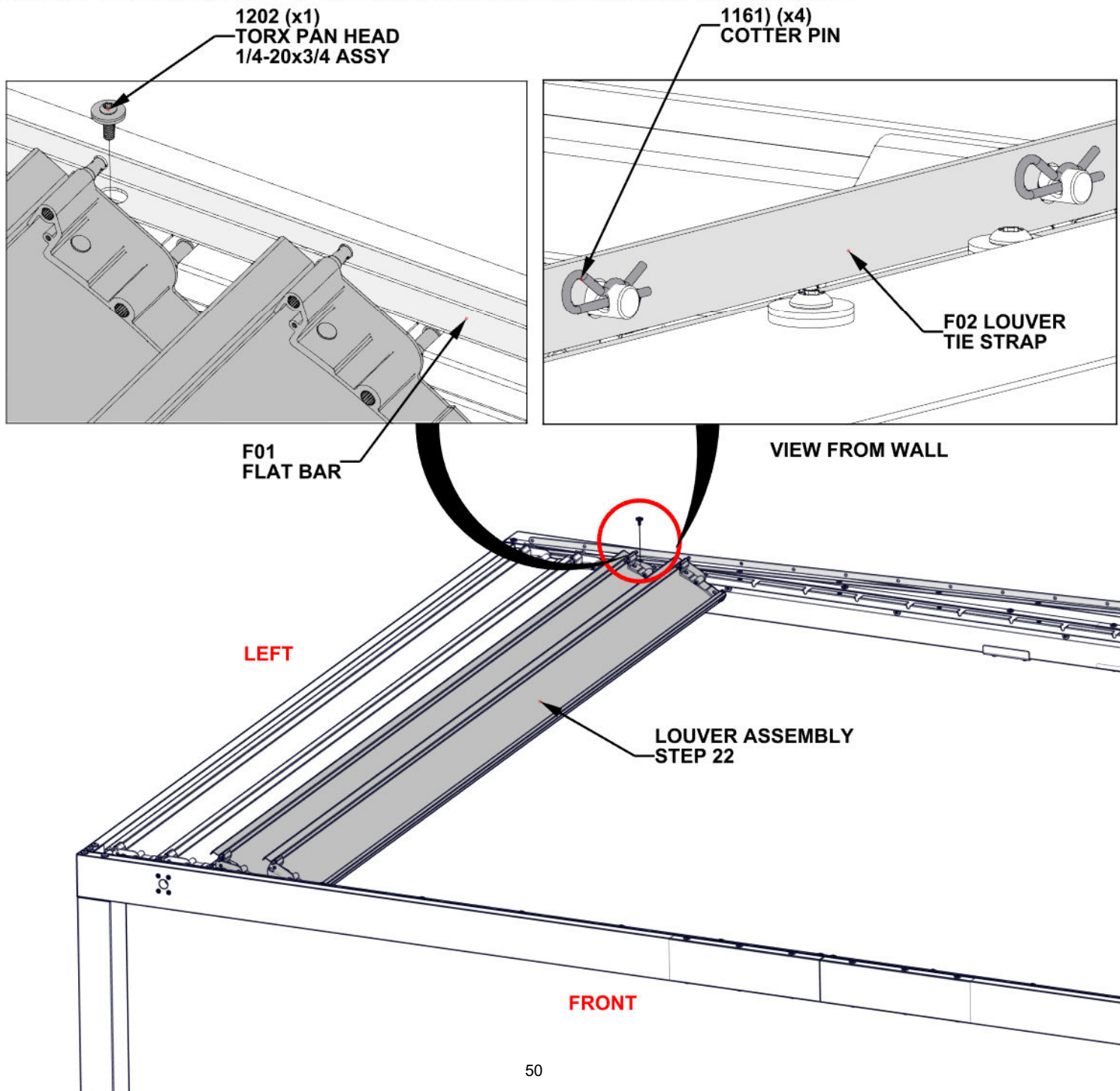


# STEP 23C - LOUVER INSTALLATION

Qty	PartNo	Description
1	H101202	TORX PAN HEAD 1/4-20x3/4 ASSY

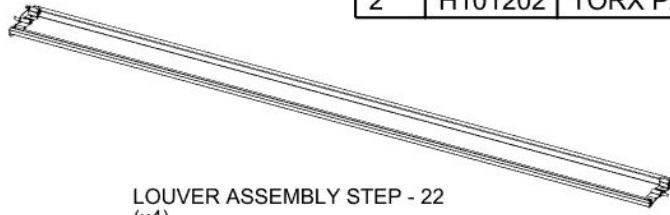


- ON THE BACK SIDE, LIFT TIE STRAP AND FLAT BAR UP ENOUGH TO SLIDE LOUVERS INTO GROOVES IN LOUVER MOUNTS.
- SLIDE TIE STRAP ONTO PINS ON LOUVER ASSEMBLIES.
- SET LOUVER ASSEMBLIES IN CORRESPONDING HOLES IN FRONT OF UNIT.
- **MAKE SURE ALL LOUVER BLADE ASSEMBLIES ARE ORIENTED IN THE SAME DIRECTION.**
- ATTACH COTTER PINS TO EACH OF THE INSTALLED LOUVER BLADES ON THE BACK SIDE.



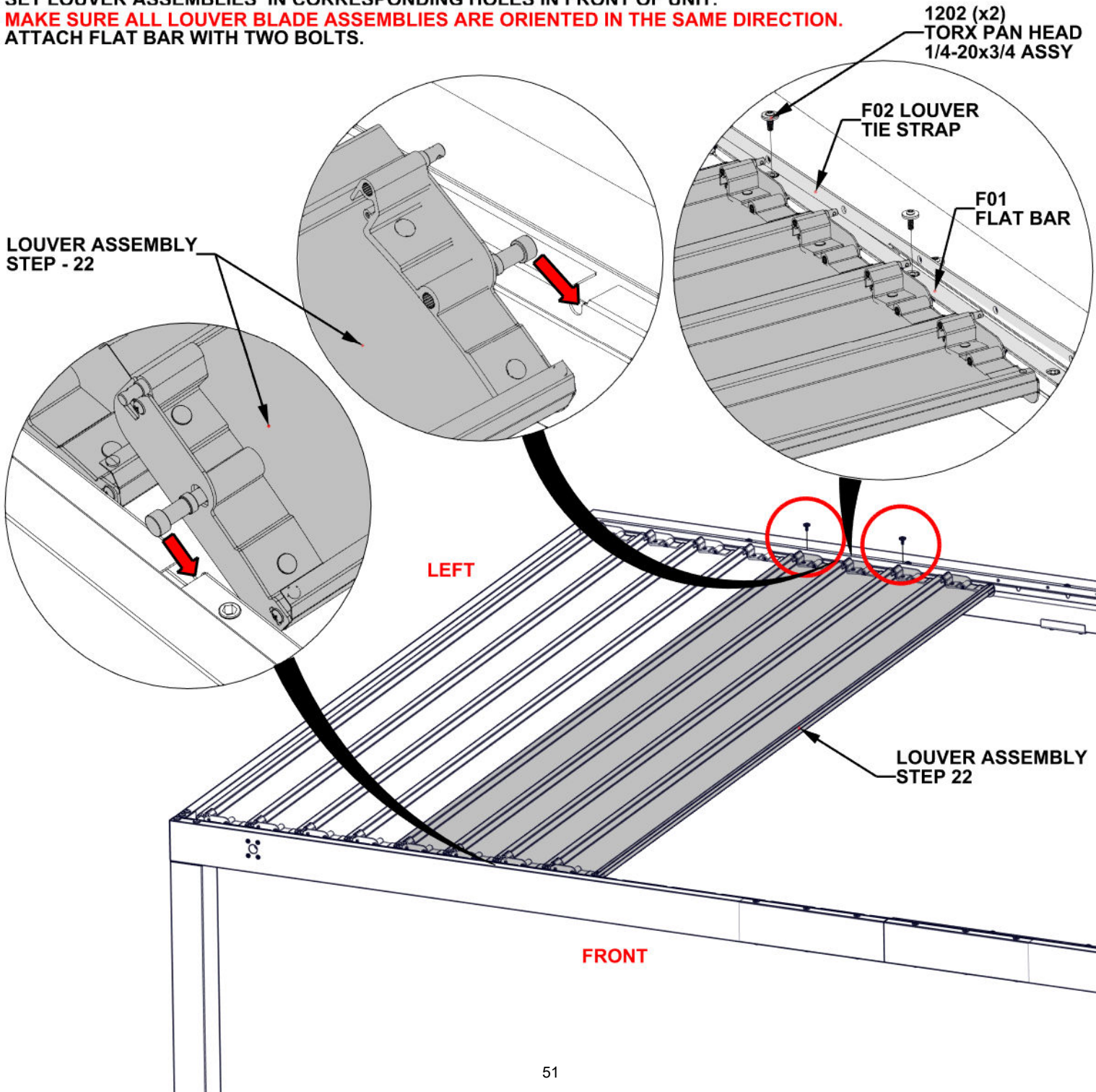
# STEP 23D - LOUVER INSTALLATION

Qty	PartNo	Description
2	H101202	TORX PAN HEAD 1/4-20x3/4 ASSY

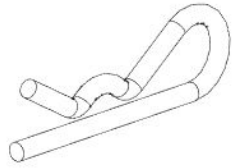


LOUVER ASSEMBLY STEP - 22  
(x4)

- ON THE BACK SIDE, LIFT TIE STRAP AND FLAT BAR UP ENOUGH TO SLIDE LOUVERS INTO GROOVES IN LOUVER MOUNTS.
- SLIDE TIE STRAP ONTO PINS ON LOUVER ASSEMBLIES.
- SET LOUVER ASSEMBLIES IN CORRESPONDING HOLES IN FRONT OF UNIT.
- **MAKE SURE ALL LOUVER BLADE ASSEMBLIES ARE ORIENTED IN THE SAME DIRECTION.**
- ATTACH FLAT BAR WITH TWO BOLTS.

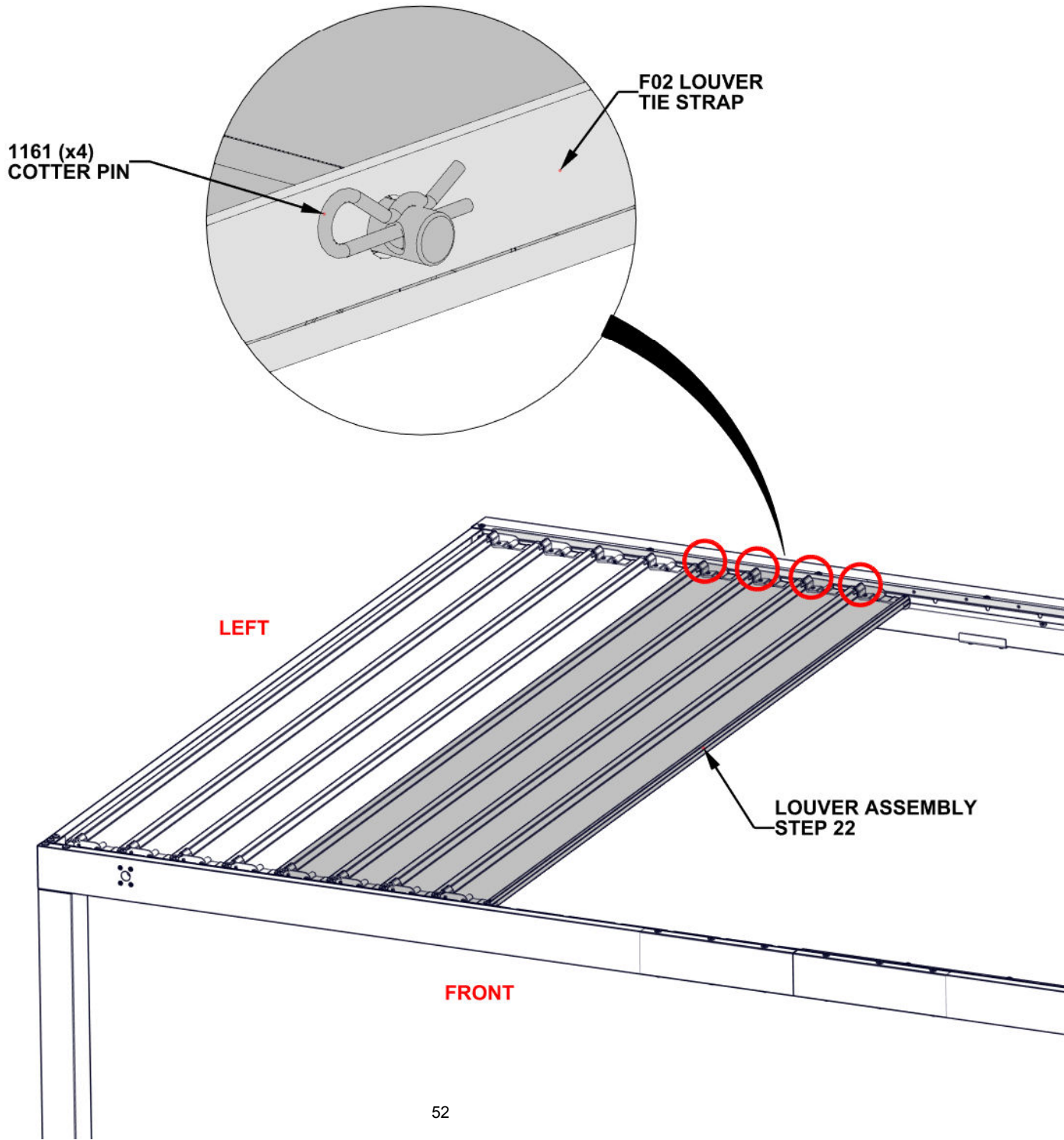


# STEP 23E - LOUVER INSTALLATION



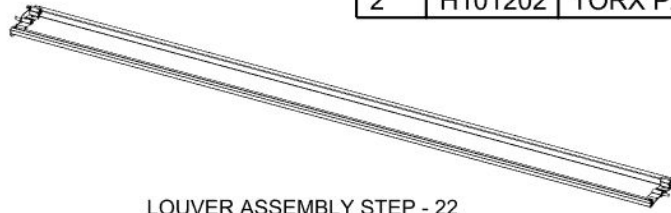
H101161 COTTER PIN  
(x4)

- MAKE SURE ALL LOUVER BLADE ASSEMBLIES ARE ORIENTED IN THE SAME DIRECTION.
- ATTACH COTTER PINS TO EACH OF THE INSTALLED LOUVER BLADES ON THE BACK SIDE.



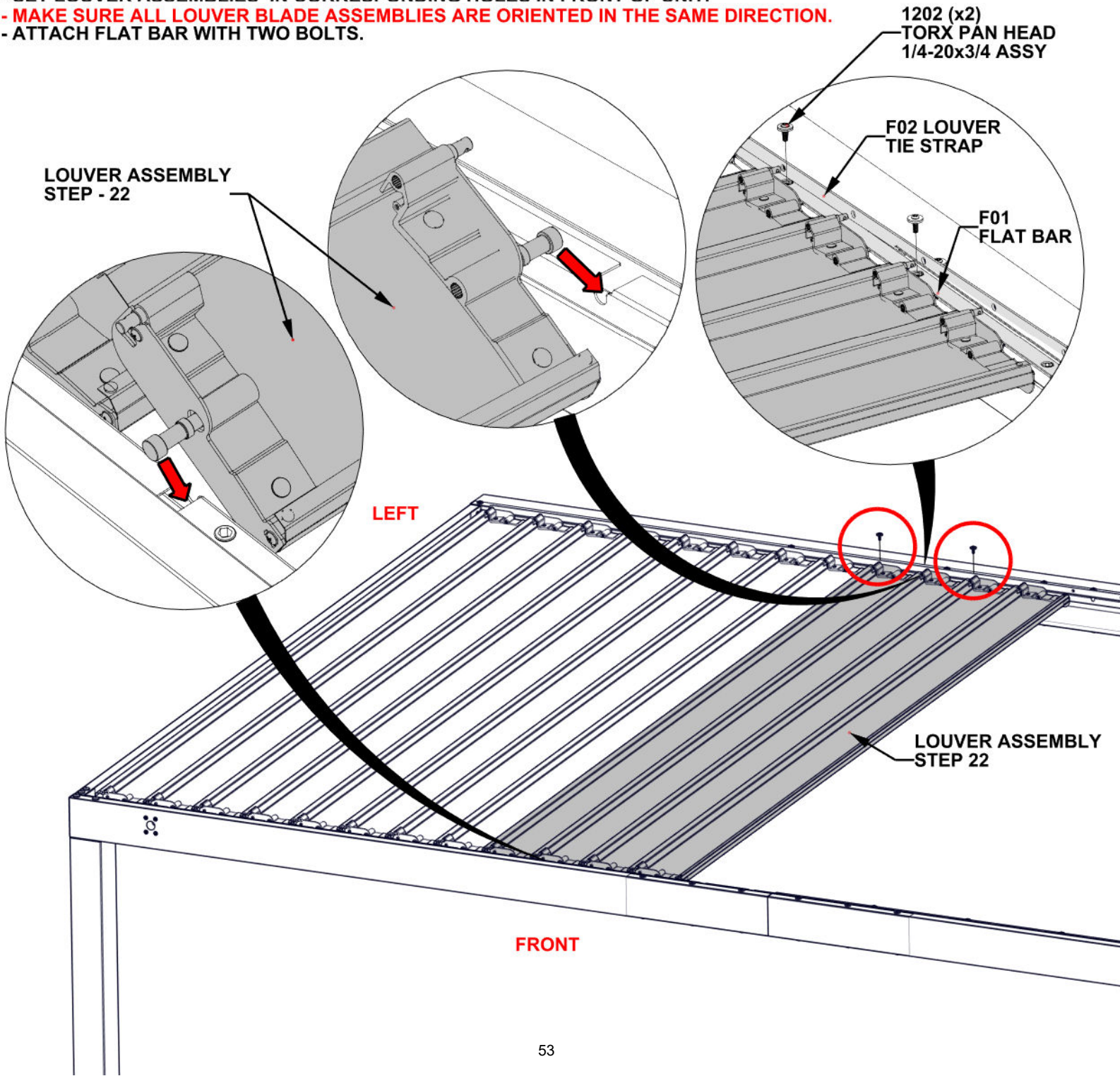
# STEP 23F - LOUVER INSTALLATION

Qty	PartNo	Description
2	H101202	TORX PAN HEAD 1/4-20x3/4 ASSY

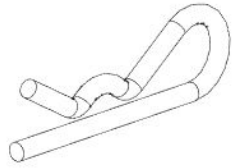


LOUVER ASSEMBLY STEP - 22  
(x4)

- ON THE BACK SIDE, LIFT TIE STRAP AND FLAT BAR UP ENOUGH TO SLIDE LOUVERS INTO GROOVES IN LOUVER MOUNTS.
- SLIDE TIE STRAP ONTO PINS ON LOUVER ASSEMBLIES.
- SET LOUVER ASSEMBLIES IN CORRESPONDING HOLES IN FRONT OF UNIT.
- **MAKE SURE ALL LOUVER BLADE ASSEMBLIES ARE ORIENTED IN THE SAME DIRECTION.**
- ATTACH FLAT BAR WITH TWO BOLTS.

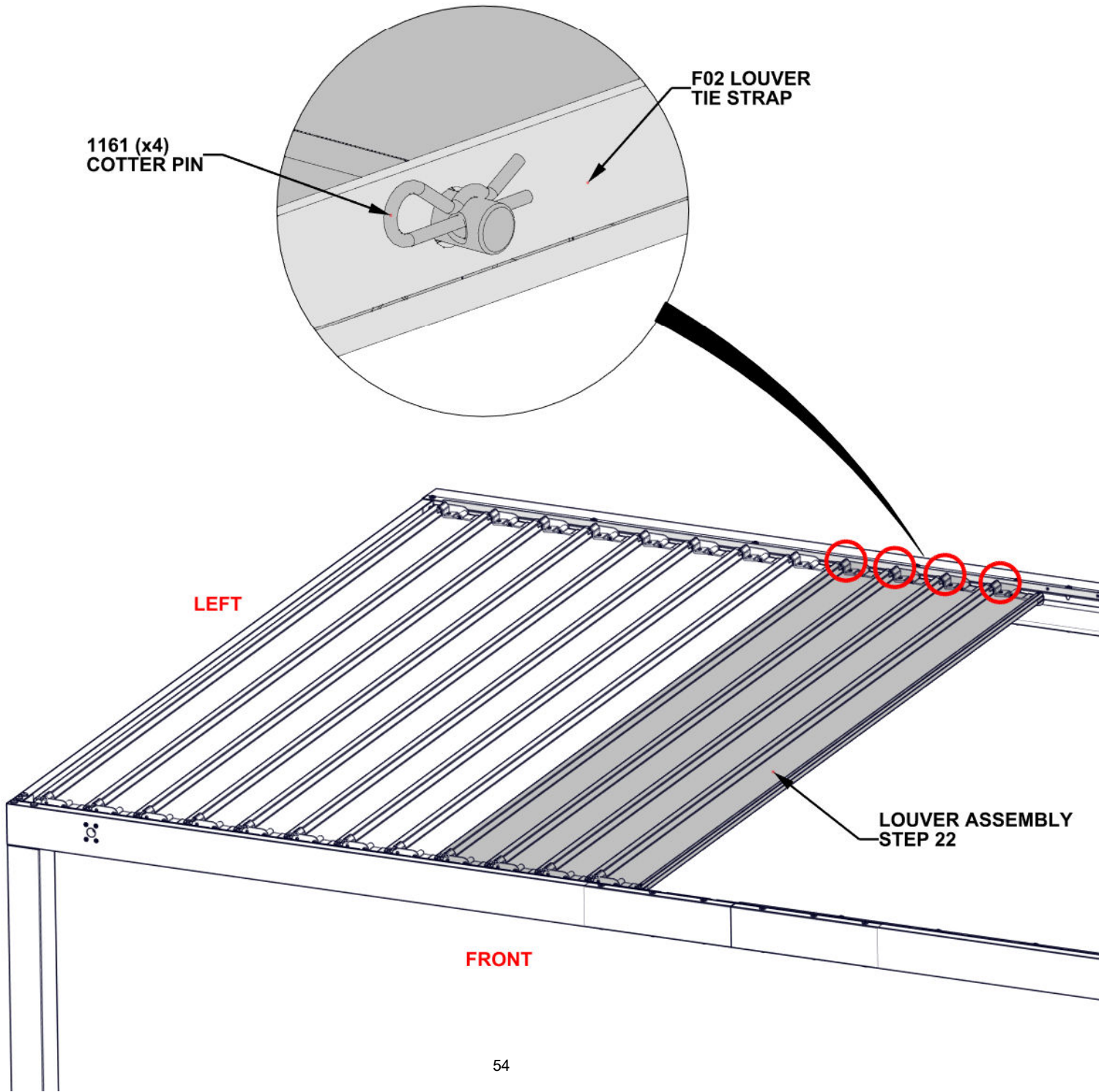


# STEP 23G - LOUVER INSTALLATION



H101161 COTTER PIN  
(x4)

- MAKE SURE ALL LOUVER BLADE ASSEMBLIES ARE ORIENTED IN THE SAME DIRECTION.
- ATTACH COTTER PINS TO EACH OF THE INSTALLED LOUVER BLADES ON THE BACK SIDE.



# STEP 23H - LOUVER INSTALLATION

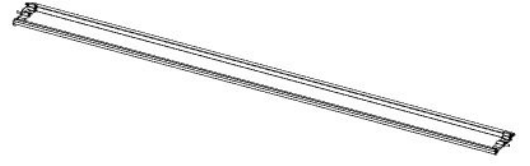
Qty	PartNo	Description
3	H101202	TORX PAN HEAD 1/4-20x3/4 ASSY



F01 FLAT BAR - A4M02572  
(x1) 1/16"x1"x92 13/16" (2x25x2357)

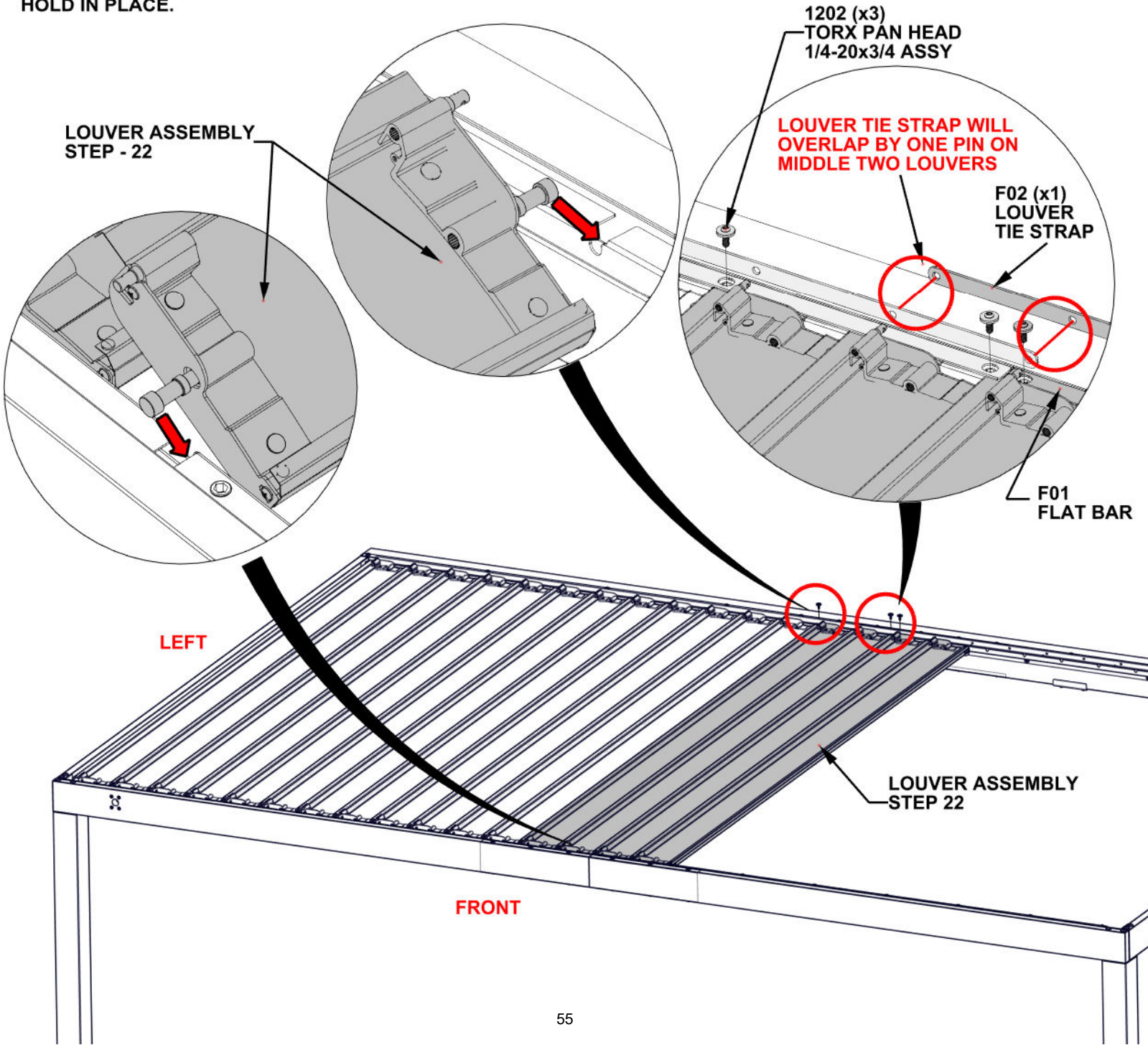


F02 LOUVER TIE STRAP - A4M02573  
(x1) 1/8"x13/16"x95 1/16" (3x20x2414)

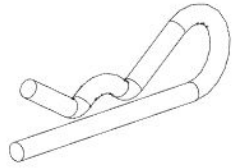


LOUVER ASSEMBLY STEP - 22  
(x4)

- ON THE BACK SIDE, LIFT TIE STRAP AND FLAT BAR UP ENOUGH TO SLIDE LOUVERS INTO GROOVES IN LOUVER MOUNTS.
- SLIDE TIE STRAP ONTO PINS ON LOUVER ASSEMBLIES.
- SET LOUVER ASSEMBLIES IN CORRESPONDING HOLES IN FRONT OF UNIT.
- **MAKE SURE ALL LOUVER BLADE ASSEMBLIES ARE ORIENTED IN THE SAME DIRECTION.**
- ATTACH TWO BOLTS IN PREVIOUSLY INSTALLED FLAT BAR. INSTALL NEW FLAT BAR AND INSTALL ONE BOLT TO HOLD IN PLACE.

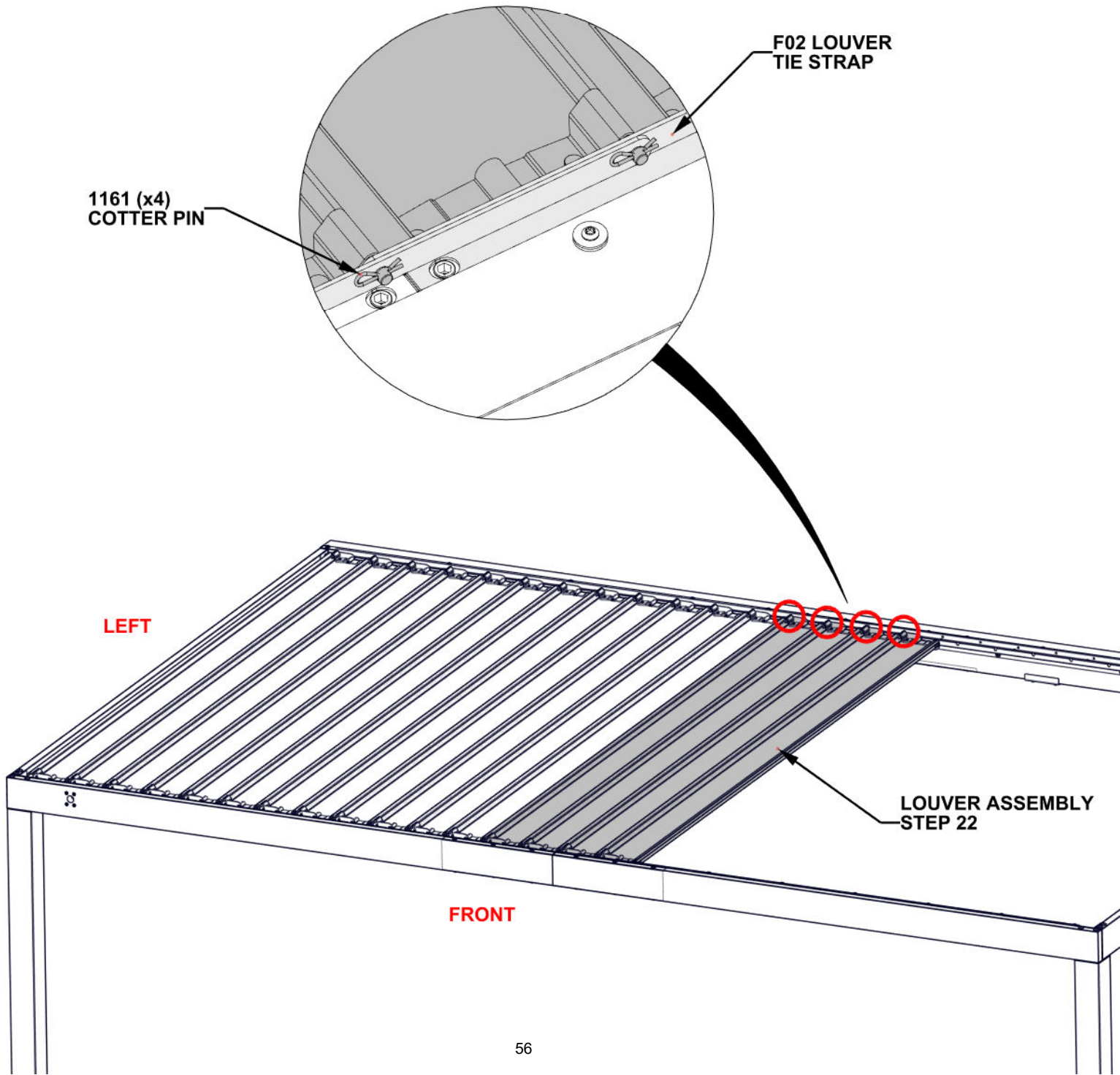


# STEP 23I - LOUVER INSTALLATION



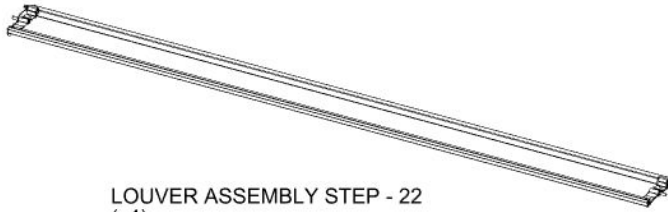
H101161 COTTER PIN  
(x4)

- MAKE SURE ALL LOUVER BLADE ASSEMBLIES ARE ORIENTED IN THE SAME DIRECTION.
- ATTACH COTTER PINS TO EACH OF THE INSTALLED LOUVER BLADES ON THE BACK SIDE.



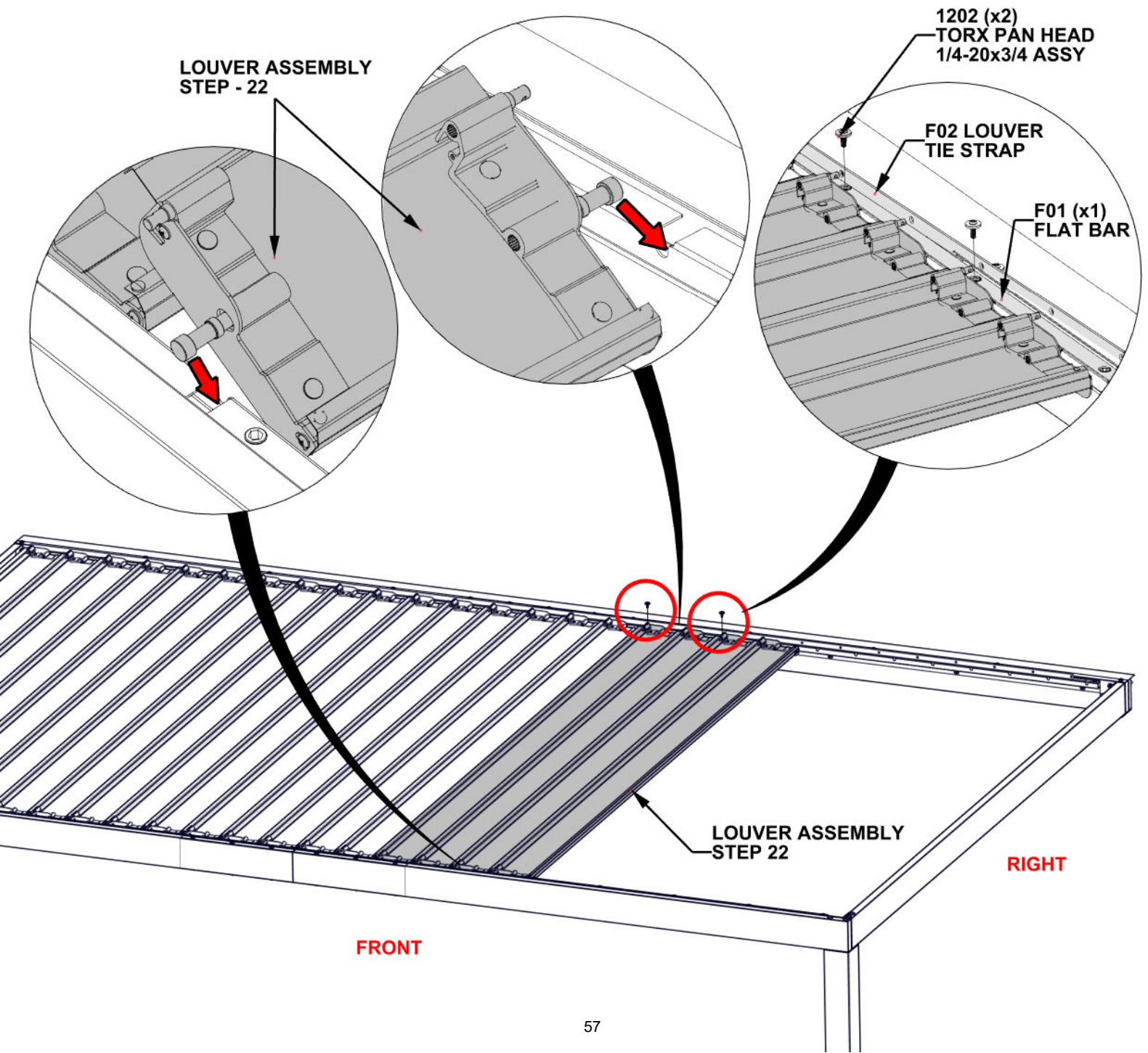
# STEP 23J - LOUVER INSTALLATION

Qty	PartNo	Description
2	H101202	TORX PAN HEAD 1/4-20x3/4 ASSY

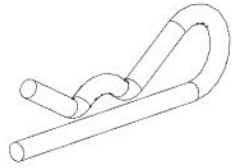


LOUVER ASSEMBLY STEP - 22  
(x4)

- ON THE BACK SIDE, LIFT TIE STRAP AND FLAT BAR UP ENOUGH TO SLIDE LOUVERS INTO GROOVES IN LOUVER MOUNTS.
- SLIDE TIE STRAP ONTO PINS ON LOUVER ASSEMBLIES.
- SET LOUVER ASSEMBLIES IN CORRESPONDING HOLES IN FRONT OF UNIT.
- **MAKE SURE ALL LOUVER BLADE ASSEMBLIES ARE ORIENTED IN THE SAME DIRECTION.**
- ATTACH FLAT BAR WITH TWO BOLTS.

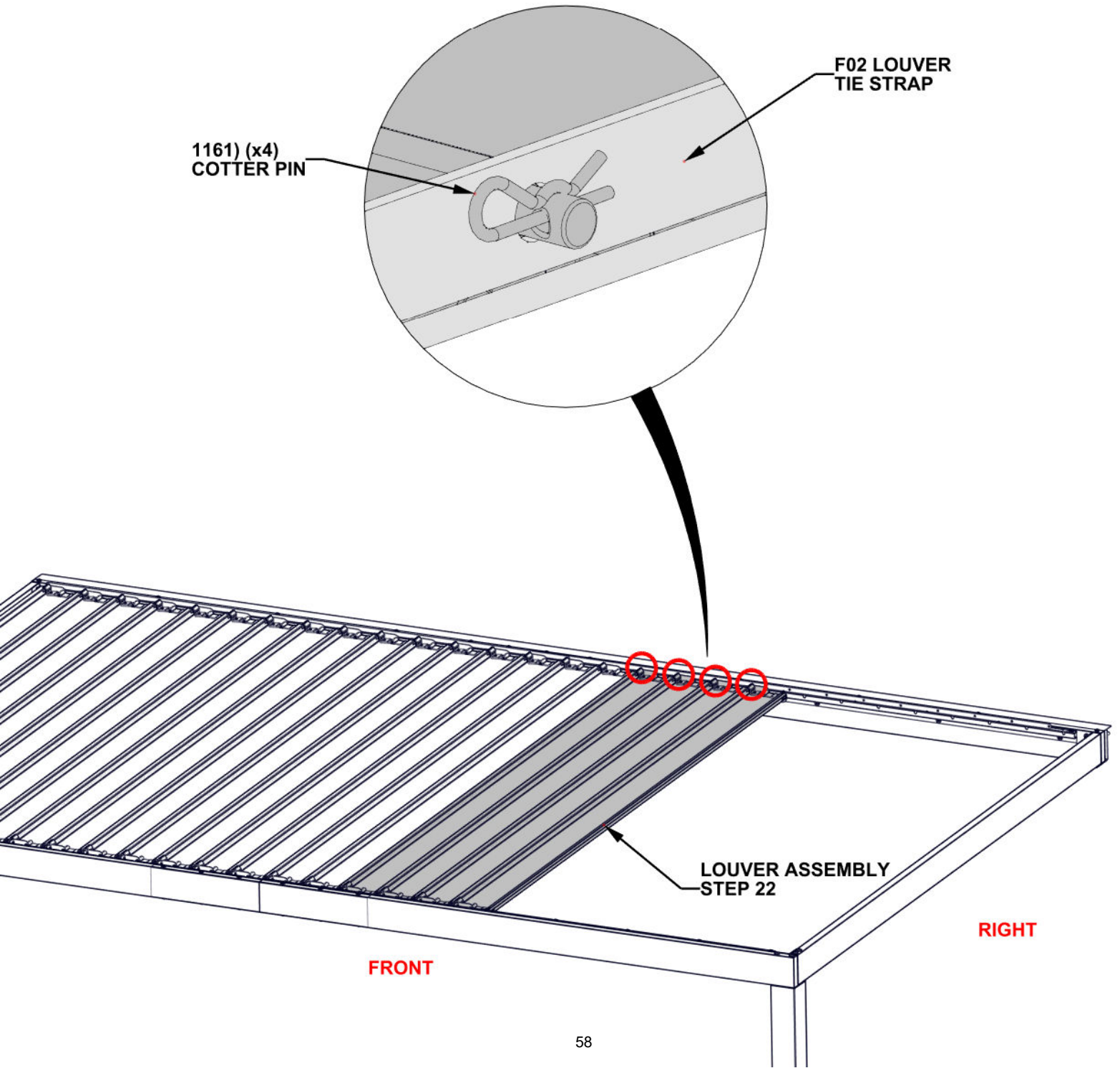


# STEP 23K - LOUVER INSTALLATION



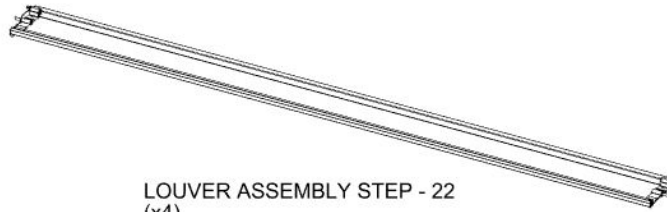
H101161 COTTER PIN  
(x4)

- MAKE SURE ALL LOUVER BLADE ASSEMBLIES ARE ORIENTED IN THE SAME DIRECTION.
- ATTACH COTTER PINS TO EACH OF THE INSTALLED LOUVER BLADES ON THE BACK SIDE.



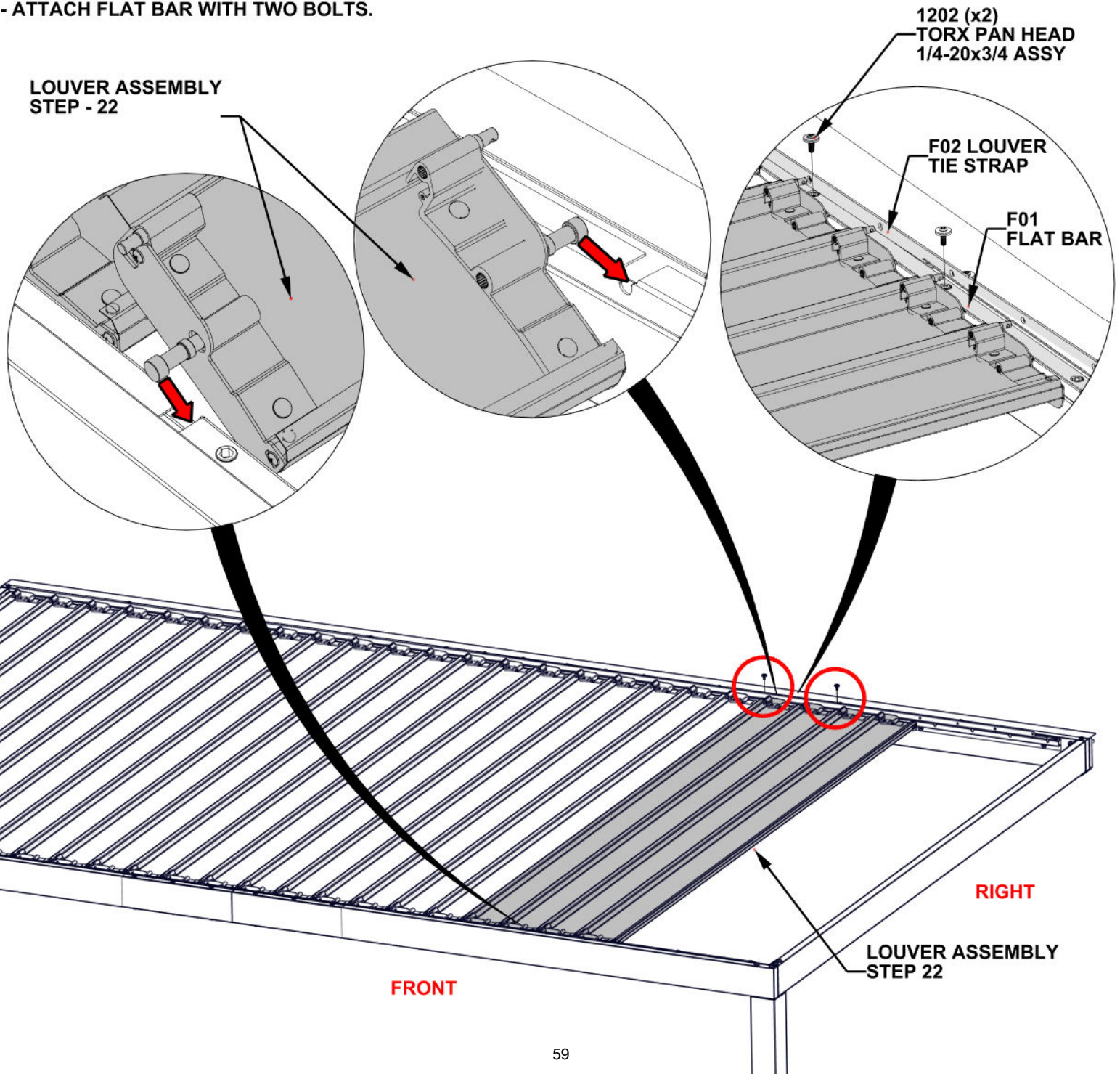
# STEP 23L - LOUVER INSTALLATION

Qty	PartNo	Description
2	H101202	TORX PAN HEAD 1/4-20x3/4 ASSY

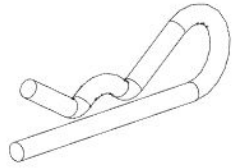


LOUVER ASSEMBLY STEP - 22  
(x4)

- ON THE BACK SIDE, LIFT TIE STRAP AND FLAT BAR UP ENOUGH TO SLIDE LOUVERS INTO GROOVES IN LOUVER MOUNTS.
- SLIDE TIE STRAP ONTO PINS ON LOUVER ASSEMBLIES.
- SET LOUVER ASSEMBLIES IN CORRESPONDING HOLES IN FRONT OF UNIT.
- **MAKE SURE ALL LOUVER BLADE ASSEMBLIES ARE ORIENTED IN THE SAME DIRECTION.**
- ATTACH FLAT BAR WITH TWO BOLTS.

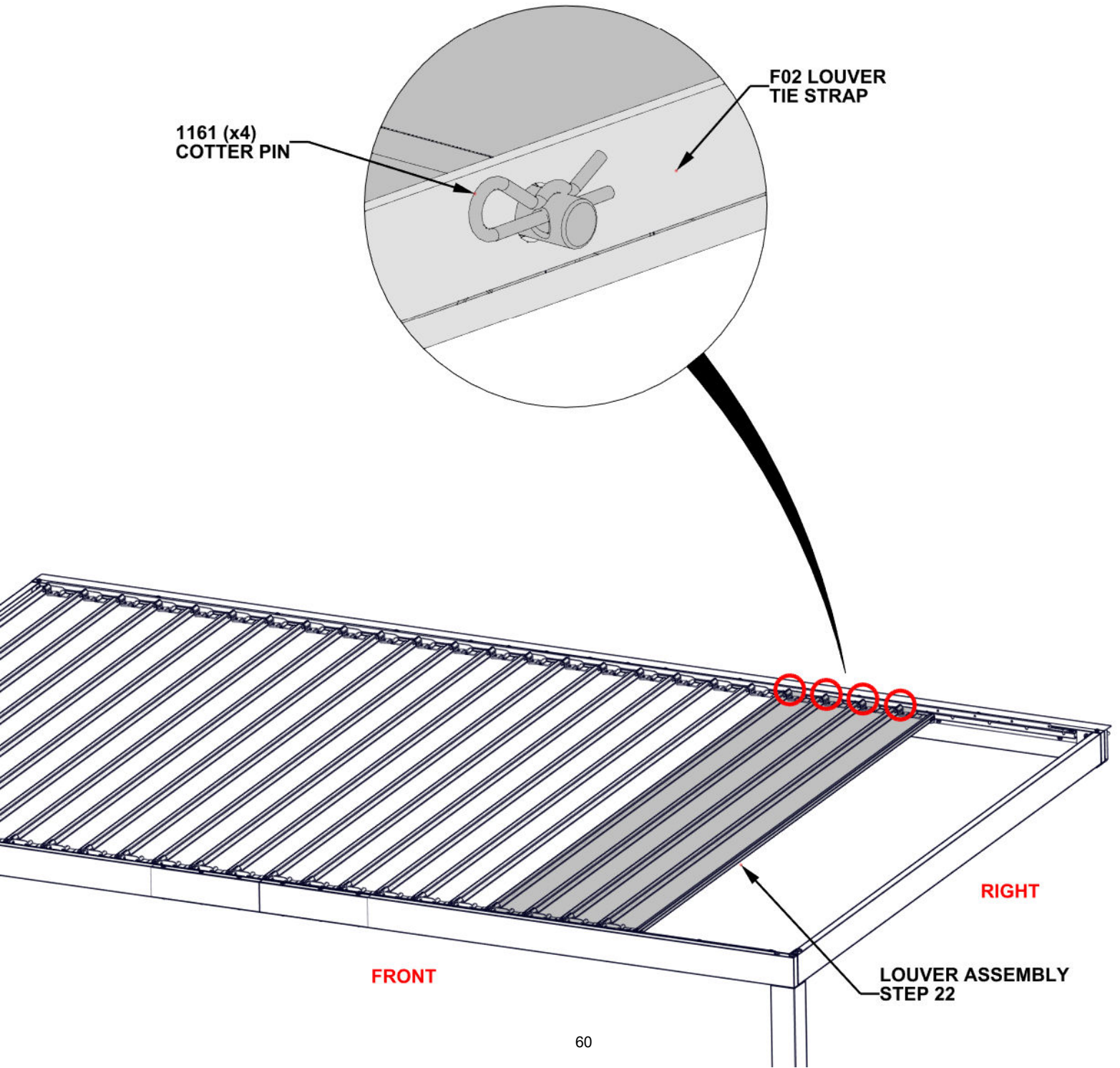


# STEP 23M - LOUVER INSTALLATION



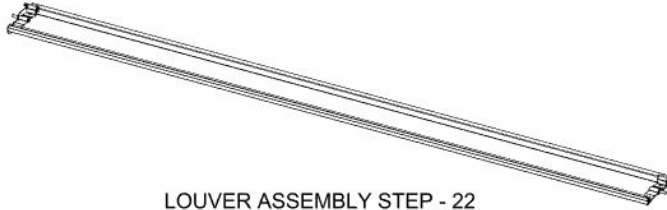
H101161 COTTER PIN  
(x4)

- MAKE SURE ALL LOUVER BLADE ASSEMBLIES ARE ORIENTED IN THE SAME DIRECTION.
- ATTACH COTTER PINS TO EACH OF THE INSTALLED LOUVER BLADES ON THE BACK SIDE.



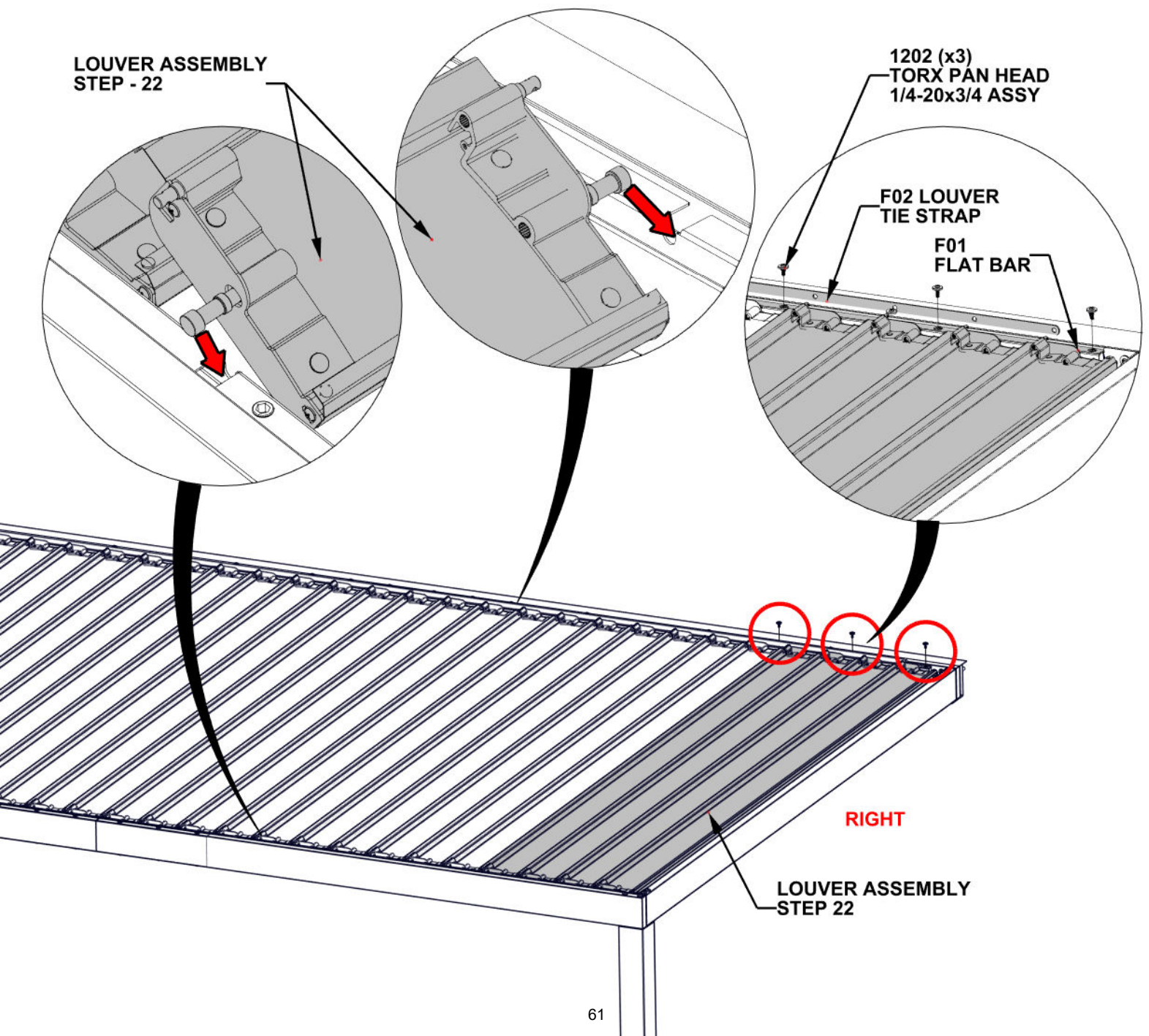
# STEP 23N - LOUVER INSTALLATION

Qty	PartNo	Description
3	H101202	TORX PAN HEAD 1/4-20x3/4 ASSY

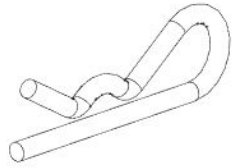


LOUVER ASSEMBLY STEP - 22  
(x4)

- ON THE BACK SIDE, LIFT TIE STRAP AND FLAT BAR UP ENOUGH TO SLIDE LOUVERS INTO GROOVES IN LOUVER MOUNTS.
- SLIDE TIE STRAP ONTO PINS ON LOUVER ASSEMBLIES.
- SET LOUVER ASSEMBLIES IN CORRESPONDING HOLES IN FRONT OF UNIT.
- **MAKE SURE ALL LOUVER BLADE ASSEMBLIES ARE ORIENTED IN THE SAME DIRECTION.**
- ATTACH FLAT BAR WITH THREE BOLTS.

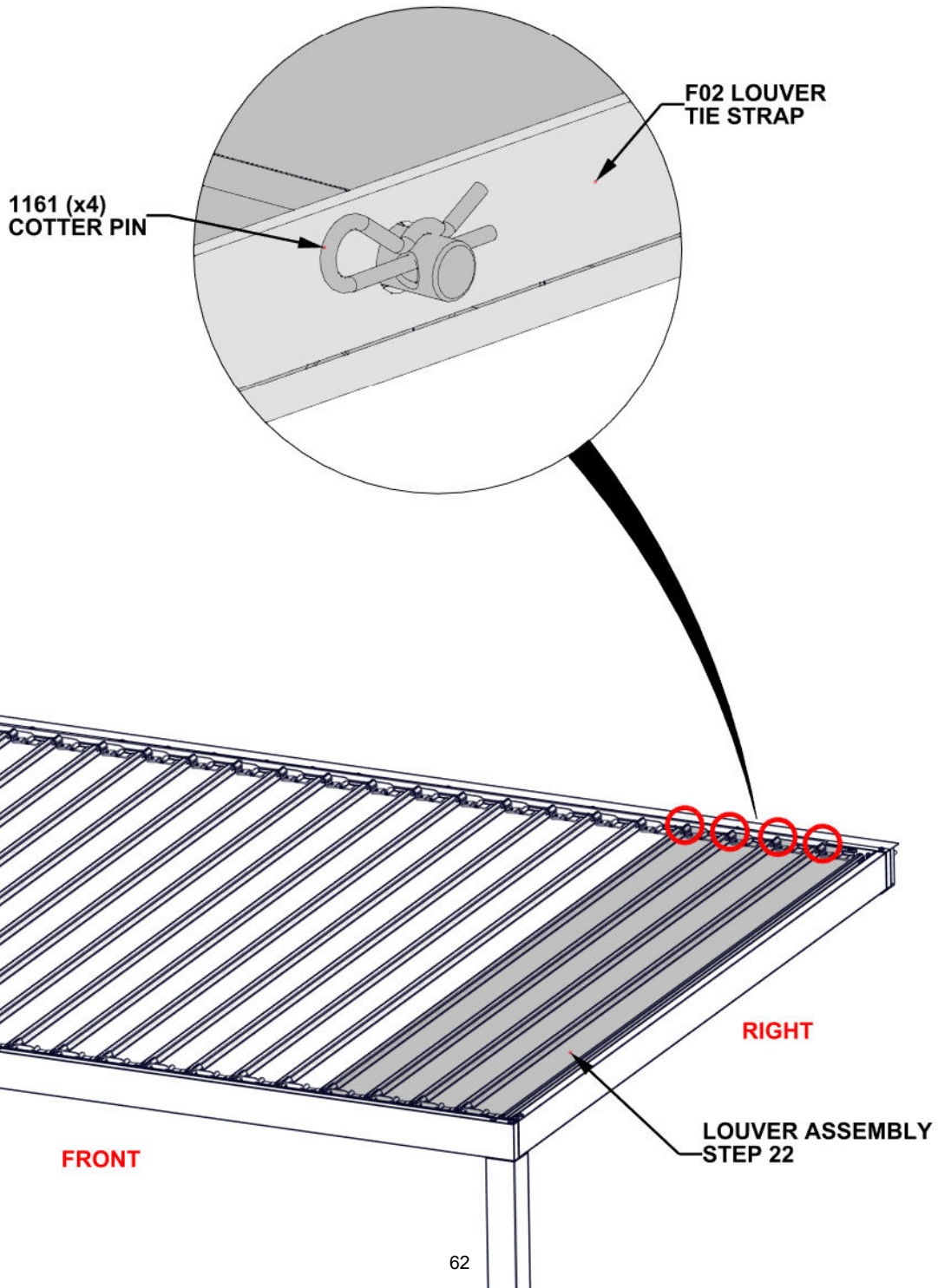


# STEP 230 - LOUVER INSTALLATION



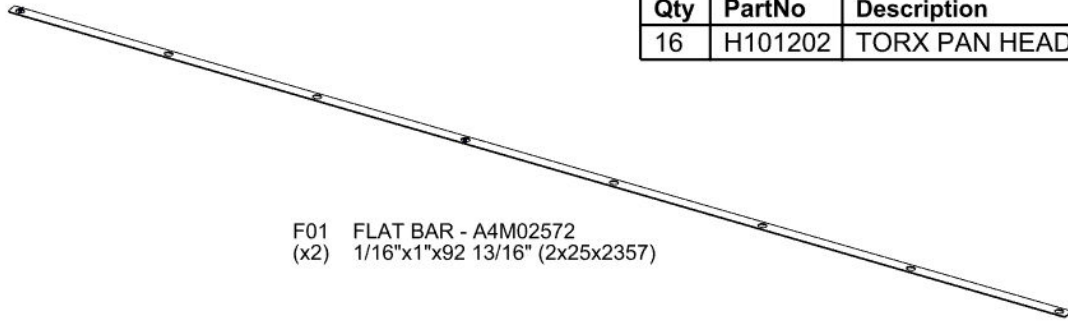
H101161 COTTER PIN  
(x4)

- MAKE SURE ALL LOUVER BLADE ASSEMBLIES ARE ORIENTED IN THE SAME DIRECTION.
- ATTACH COTTER PINS TO EACH OF THE INSTALLED LOUVER BLADES ON THE BACK SIDE.



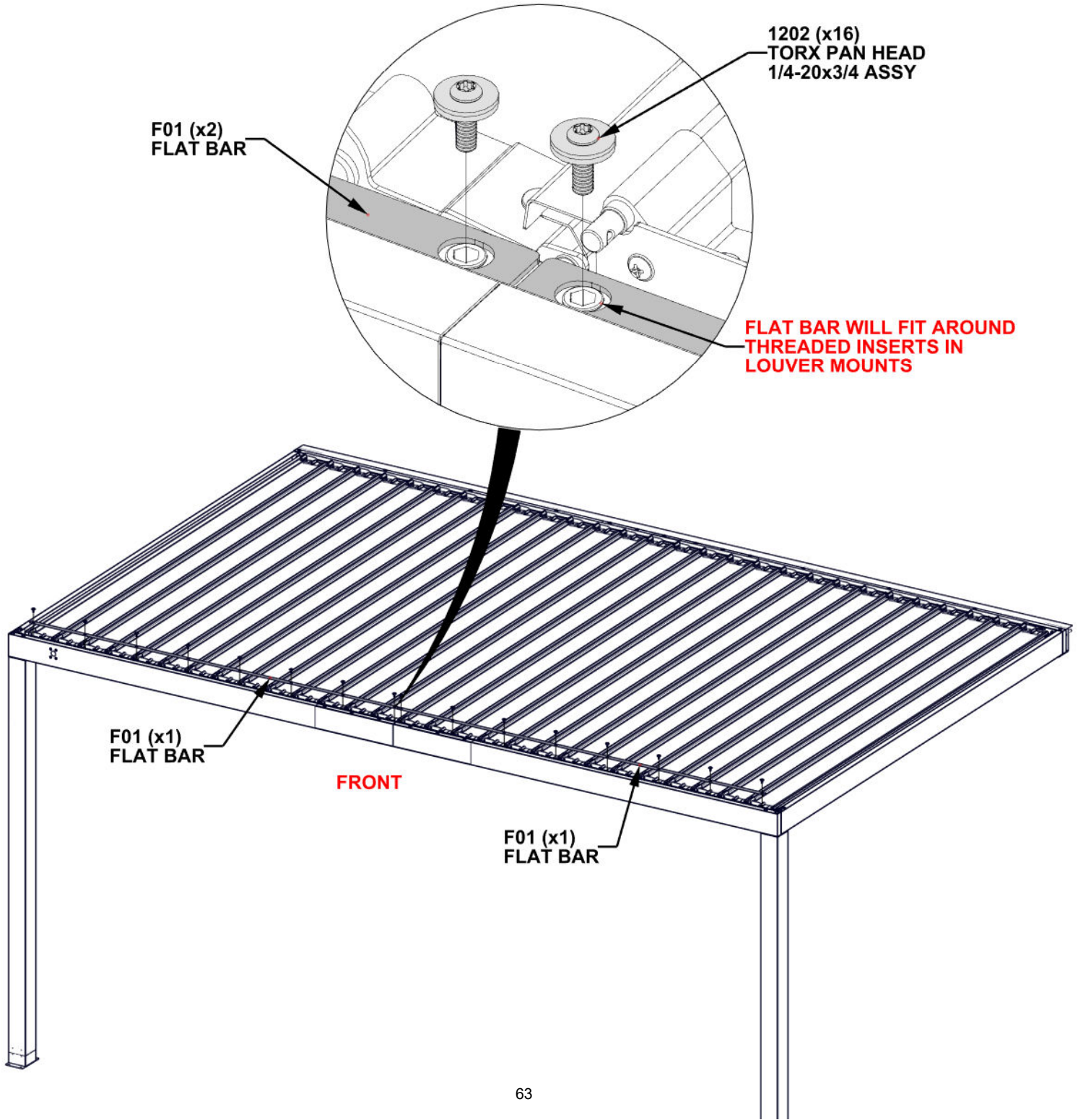
# STEP 24 - LOUVER INSTALLATION

Qty	PartNo	Description
16	H101202	TORX PAN HEAD 1/4-20x3/4 ASSY

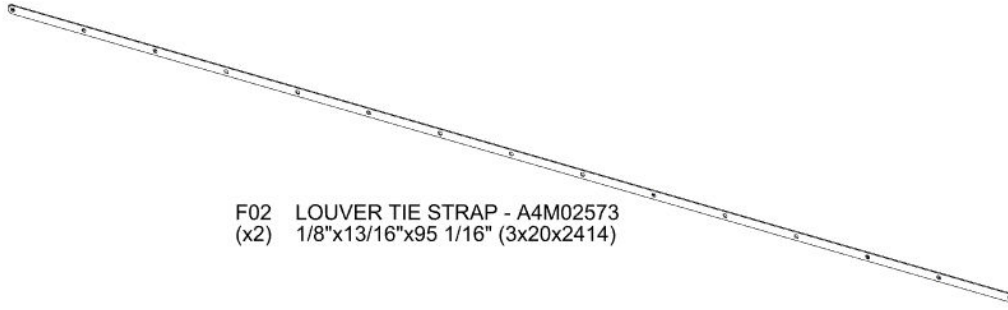


F01 FLAT BAR - A4M02572  
(x2) 1/16"x1"x92 13/16" (2x25x2357)

- ON THE FRONT SIDE, ATTACH FLAT BAR ALONG EACH LOUVER MOUNT. FLAT BAR WILL HOLD ALL LOUVERS IN PLACE.

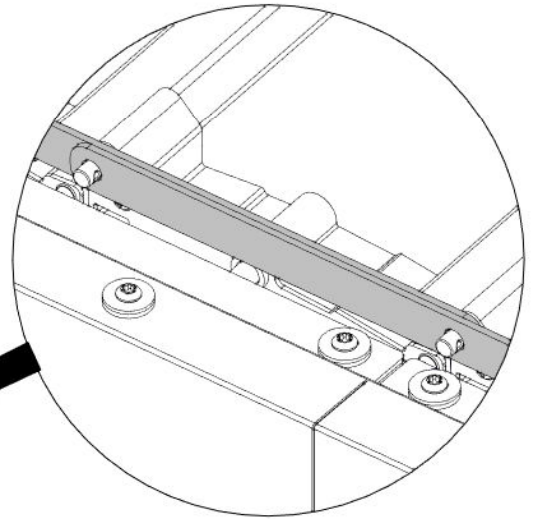
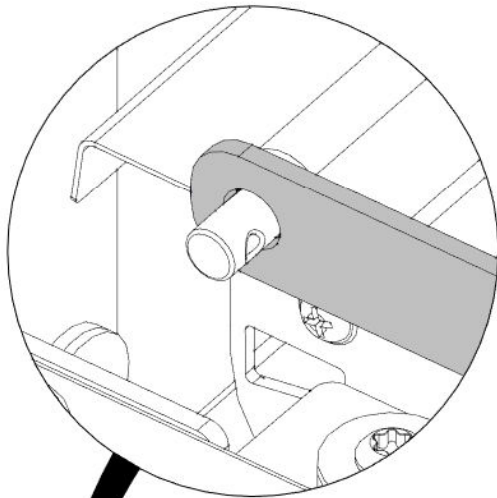
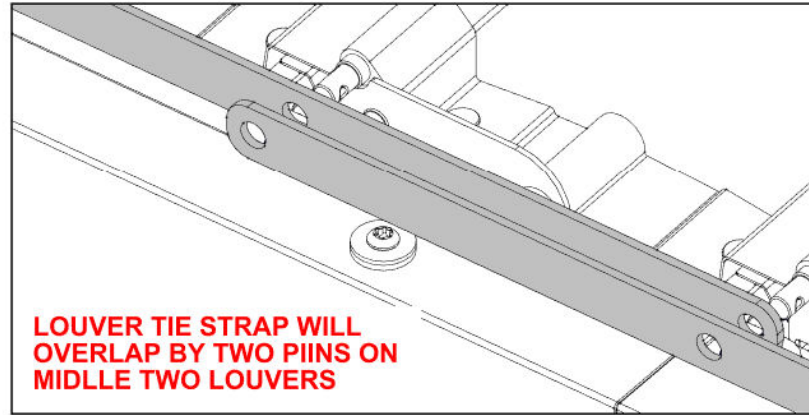


# STEP 25A - LOUVER INSTALLATION



F02 LOUVER TIE STRAP - A4M02573  
(x2) 1/8"x13/16"x95 1/16" (3x20x2414)

- LOUVER TIE STRAPS WILL CONNECT ALL LOUVERS TO ONE ANOTHER.
- STARTING ON THE LEFT AND WORKING TO THE RIGHT, CONNECT LOUVERS USING TIE STRAPS. OVERLAP TIE STRAPS TO HOLD MIDDLE LOUVERS TOGETHER.



**LEFT**

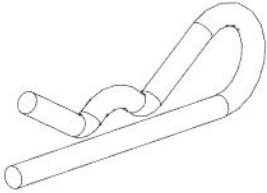
**RIGHT**

F02 (x1)  
LOUVER TIE STRAP

**FRONT**

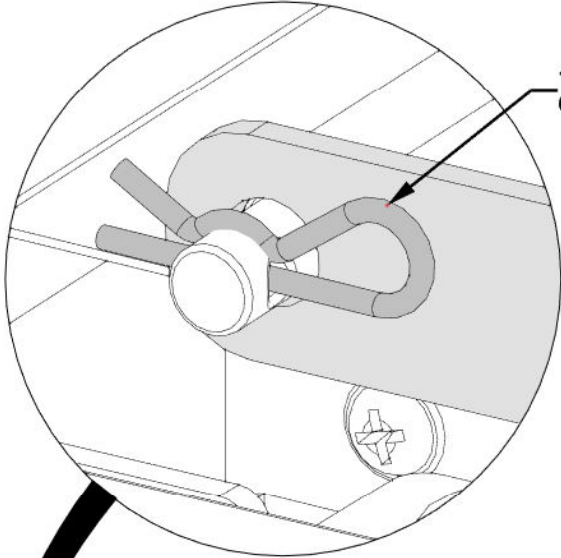
F02 (x1)  
LOUVER TIE STRAP

# STEP 25B - LOUVER INSTALLATION

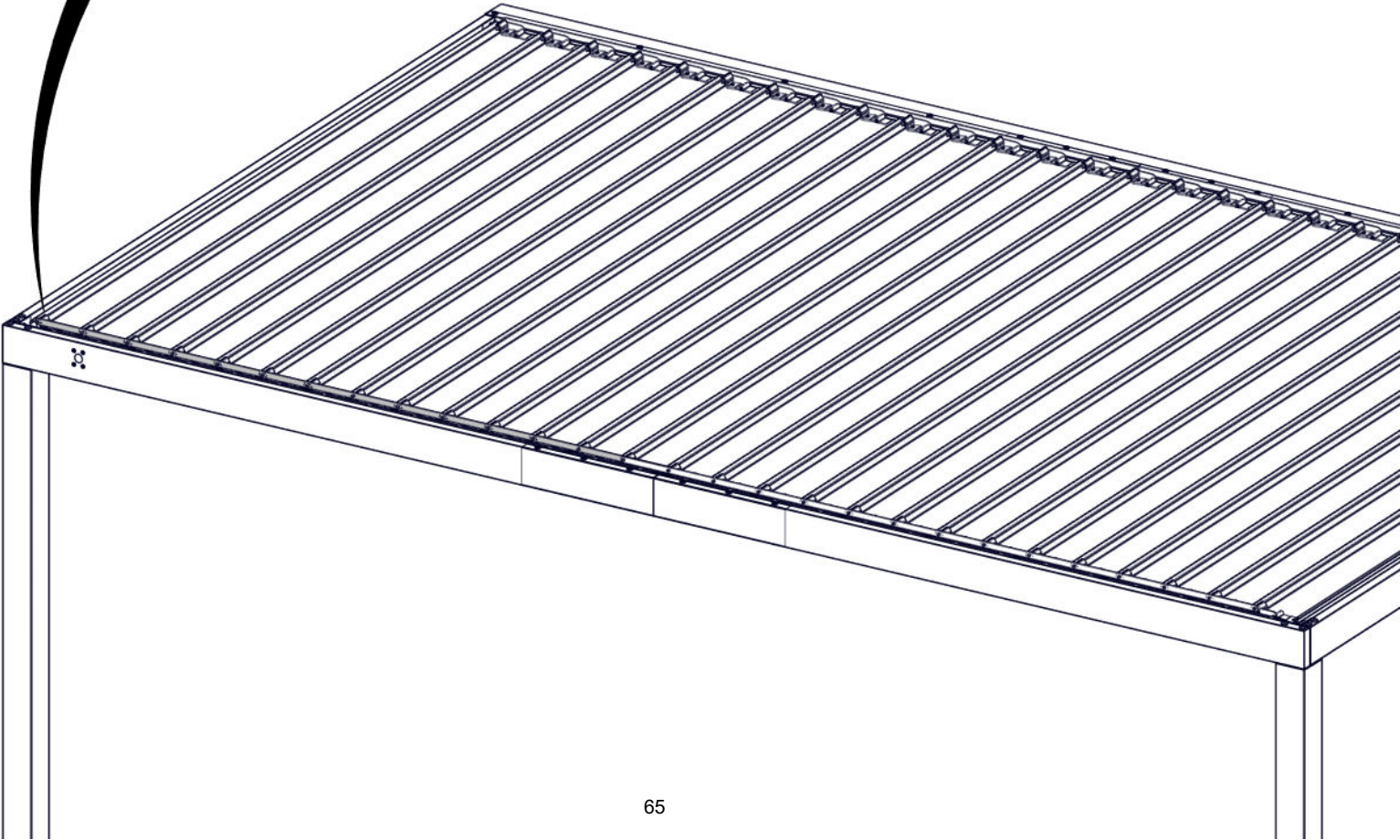


H101161 COTTER PIN  
(x28)

- INSTALL COTTER PINS ON EACH LOUVER TO HOLD TIE STRAP IN PLACE.
- CONFIRM ALL HARDWARE HAS BEEN TIGHTENED FROM PREVIOUS STEPS.



1161 (x28)  
COTTER PIN



# STEP 26 - LOUVER MECHANISM



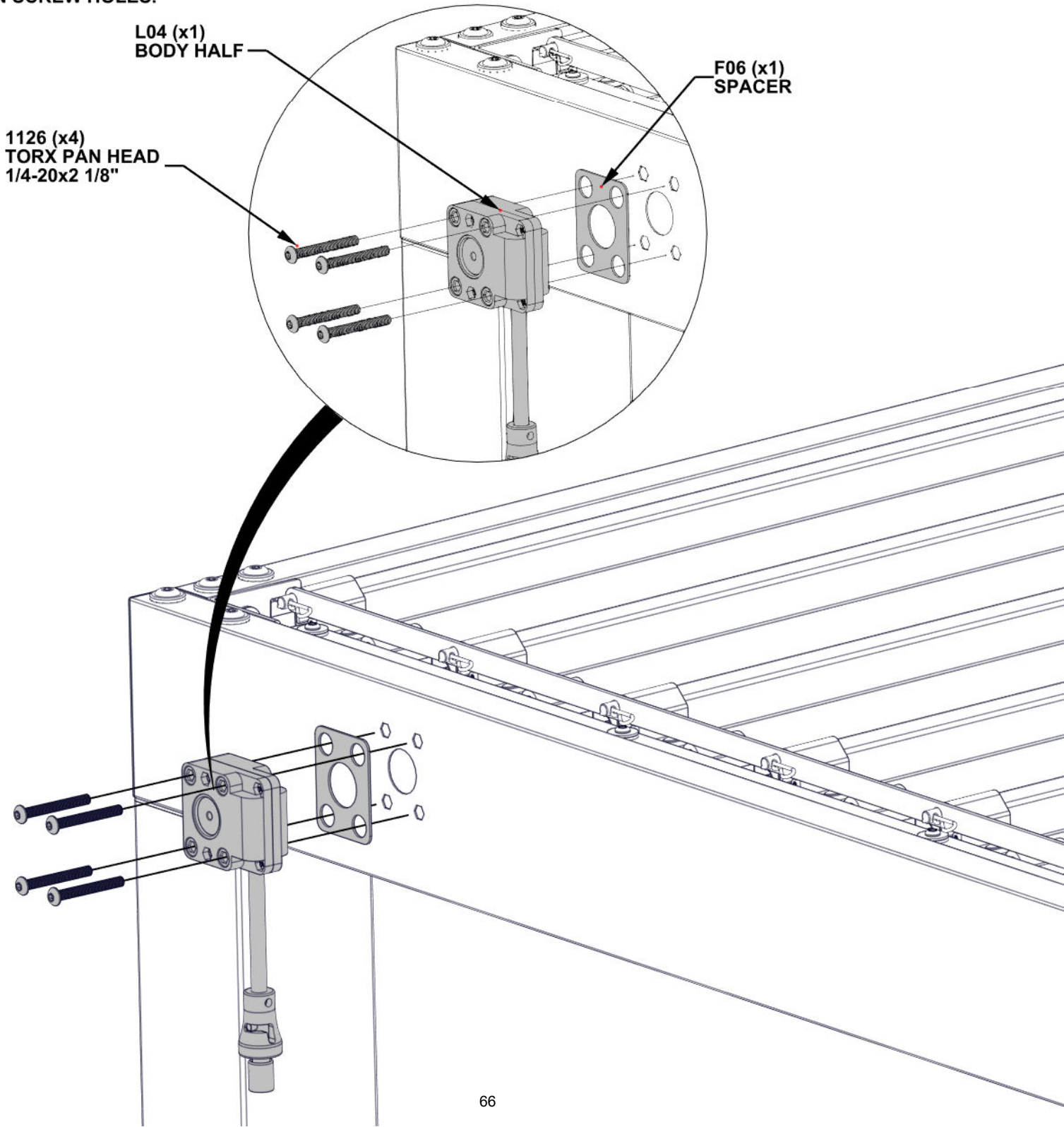
L04 BODY HALF - A4M02132  
(x1) 1 1/16"x2 1/2"x2 7/8" (17x64x73)



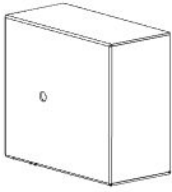
F06 SPACER - A4M02227  
(x1) 1 1/16"x2 3/16"x2 3/4" (1.5x56x70)

Qty	PartNo	Description
4	H101126	TORX PAN HEAD 1/4-20x2 1/8"

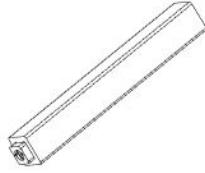
- ALIGN SCREW HOLES.



# STEP 27 - LOUVER MECHANISM



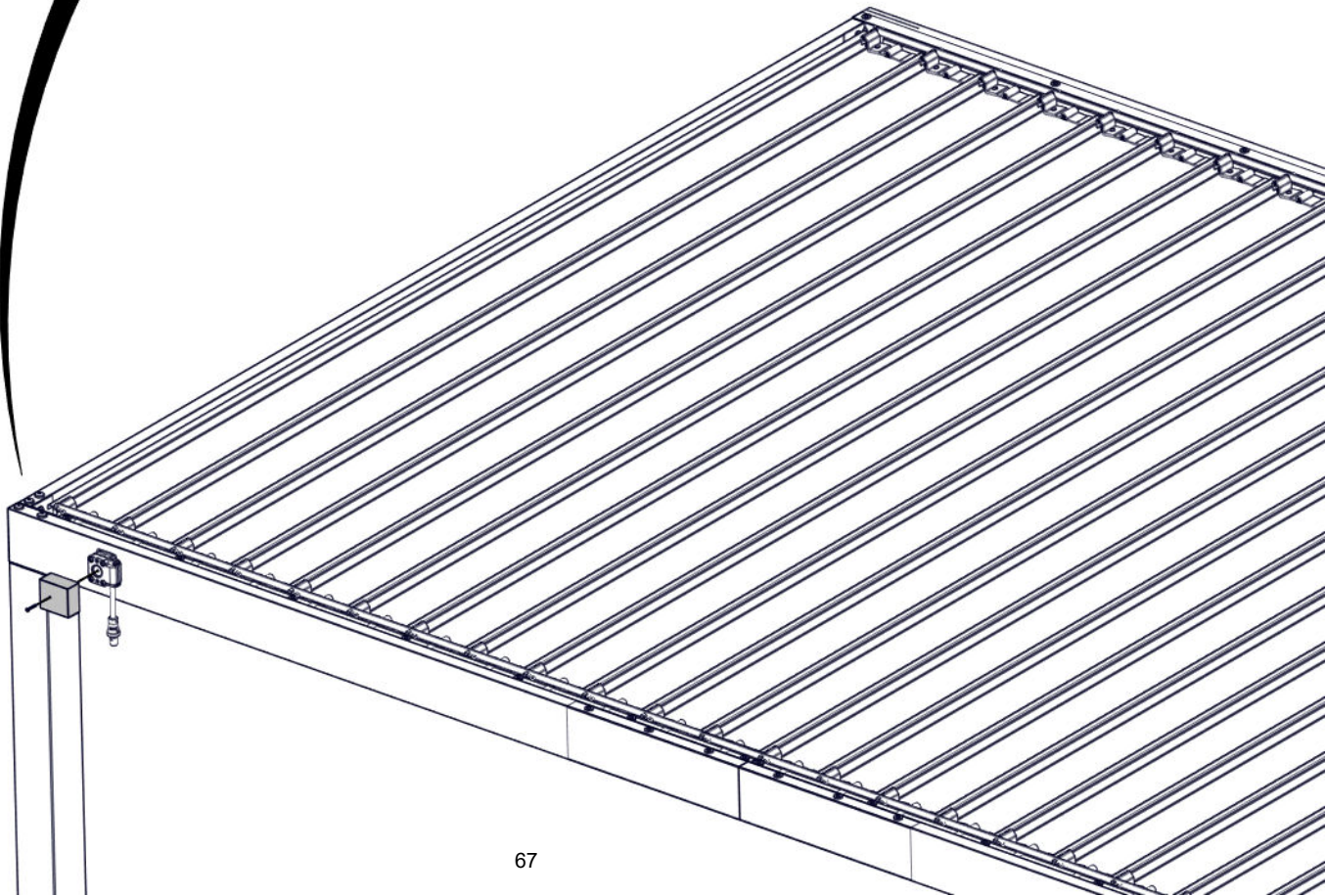
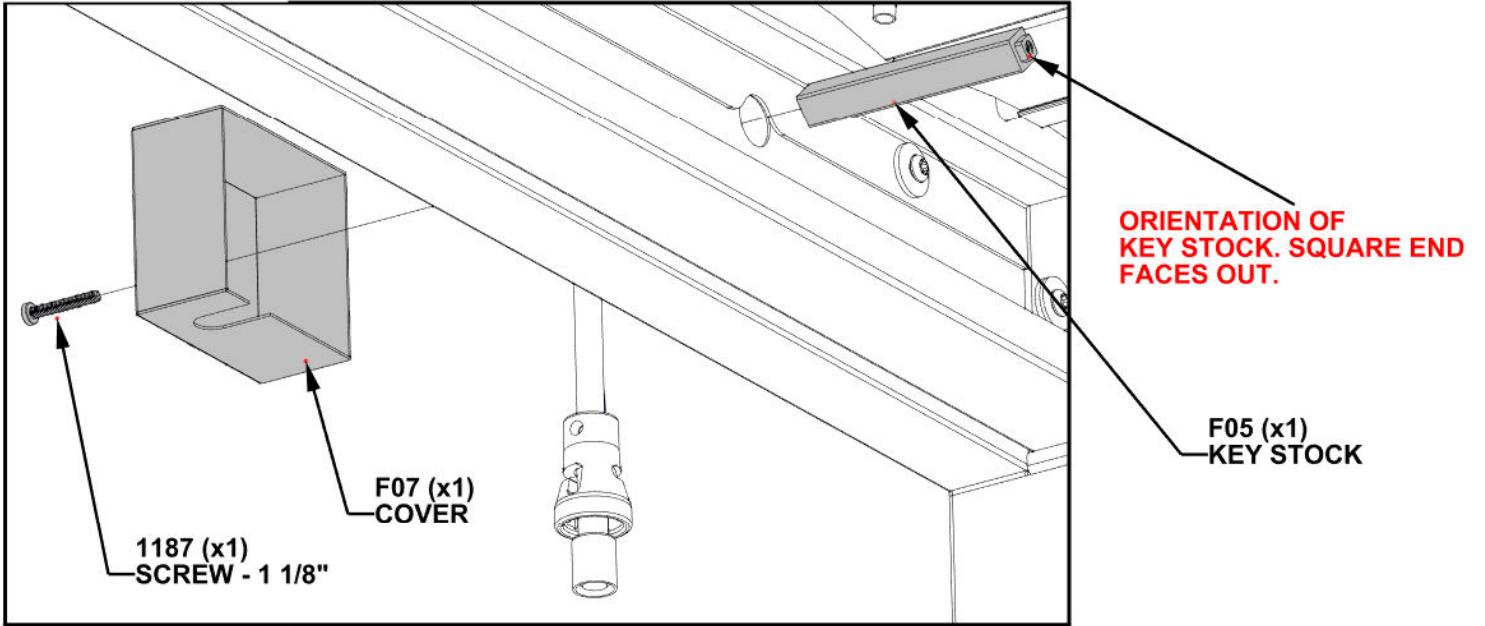
F07 COVER - A4M02228  
(x1) 1 9/16"x2 7/8"x3 1/4" (39.5x73x82)



F05 KEY STOCK - A4M02226  
(x1) 1/2"x1/2"x3 3/4" (13.0x13.0x95)

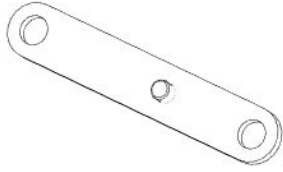
Qty	PartNo	Description
1	H101187	BOLT PPH 8-32x1 1/8 BLK

- ALIGN SCREW HOLES.

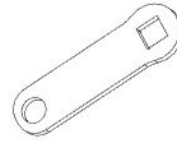


# STEP 28A - LOUVER MECHANISM

Qty	PartNo	Description
1	H101189	LOW PROFILE SHOULDER BOLT 1/4-20x.375
1	H100653	NUT LOCK 1/4 BLK
2	H100474	WASHER FLAT 9x18 BLK



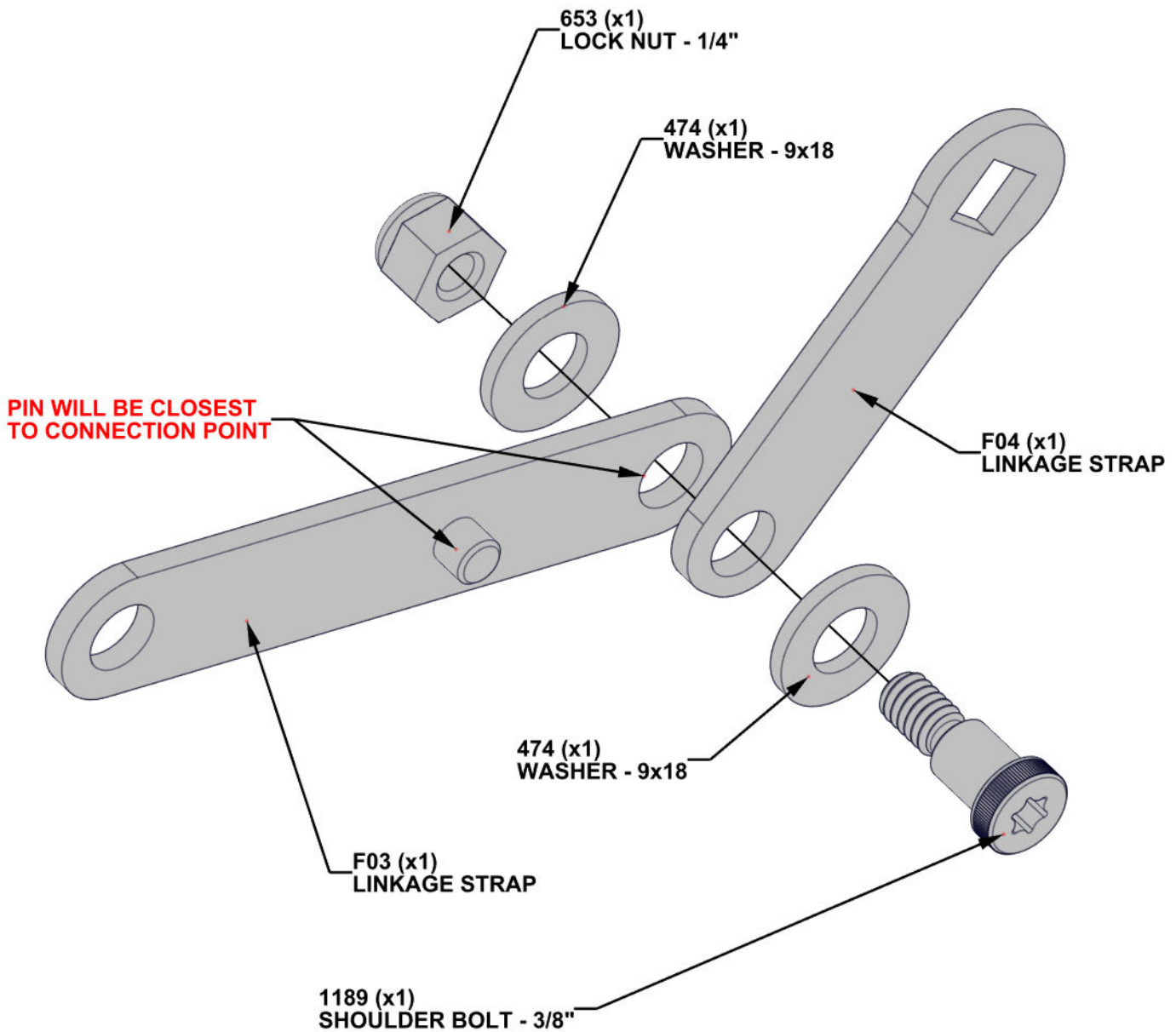
F03 LINKAGE STRAP - A4M02229  
(x1) 1/8"x11/16"x3 13/16" (3x17x97)



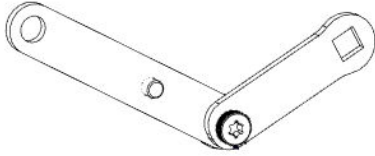
F04 LINKAGE STRAP - A4M02225  
(x1) 1/8"x13/16"x2 5/8" (3x20x66)

- LINKAGES MUST BE ORIENTED AS SHOWN BELOW.

- DO NOT OVERTIGHTEN HARDWARE.  
- LINKAGES SHOULD BE ABLE TO ROTATE FREELY.



# STEP 28B - LOUVER MECHANISM

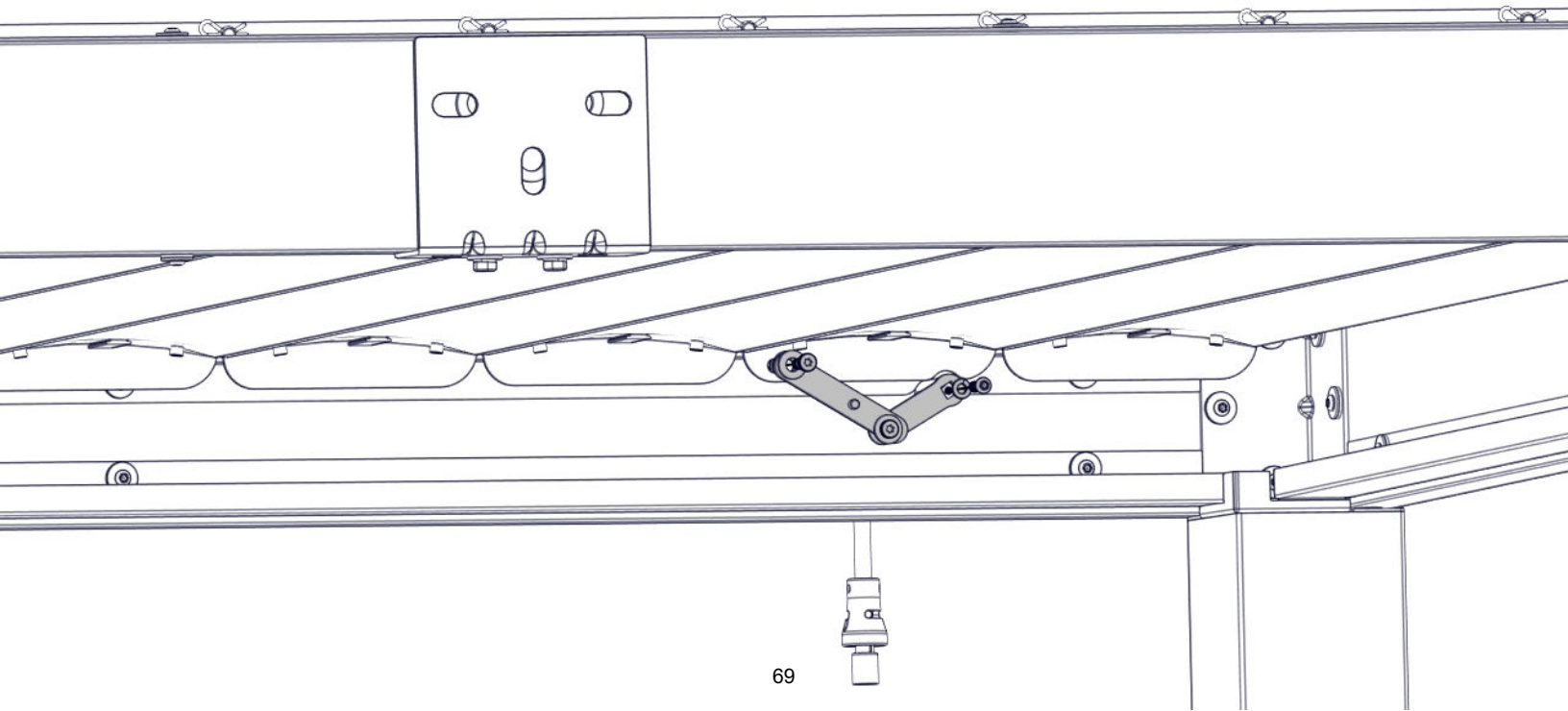
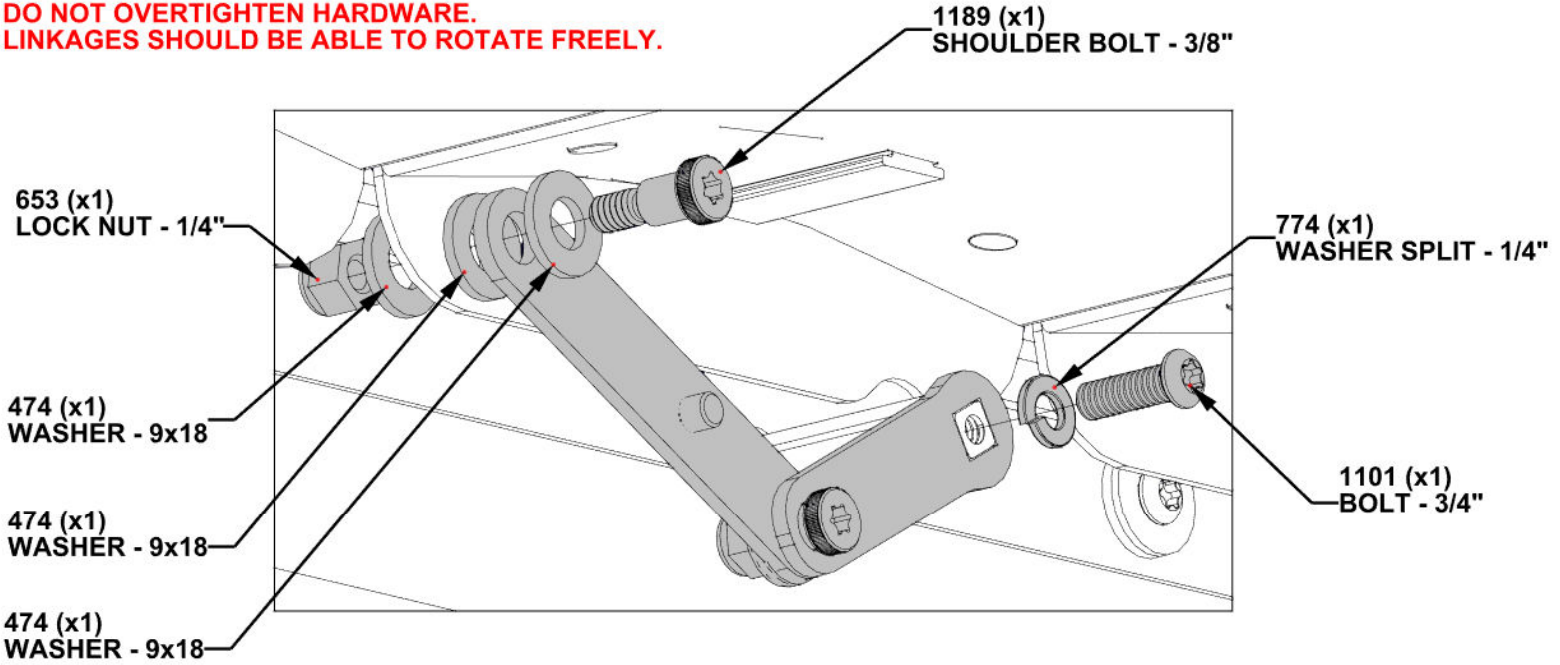


LINKAGE ASSEMBLY  
STEP - 28A

Qty	PartNo	Description
1	H101189	LOW PROFILE SHOULDER BOLT 1/4-20x3/8" BLK
1	H100653	NUT LOCK 1/4 BLK
1	H101101	TORX PAN HEAD 1/4-20x3/4"
3	H100474	WASHER FLAT - 9x18 BLK
1	H100774	WASHER SPLIT 1/4 BLK

- LINKAGES MUST BE ORIENTED AS SHOWN BELOW.

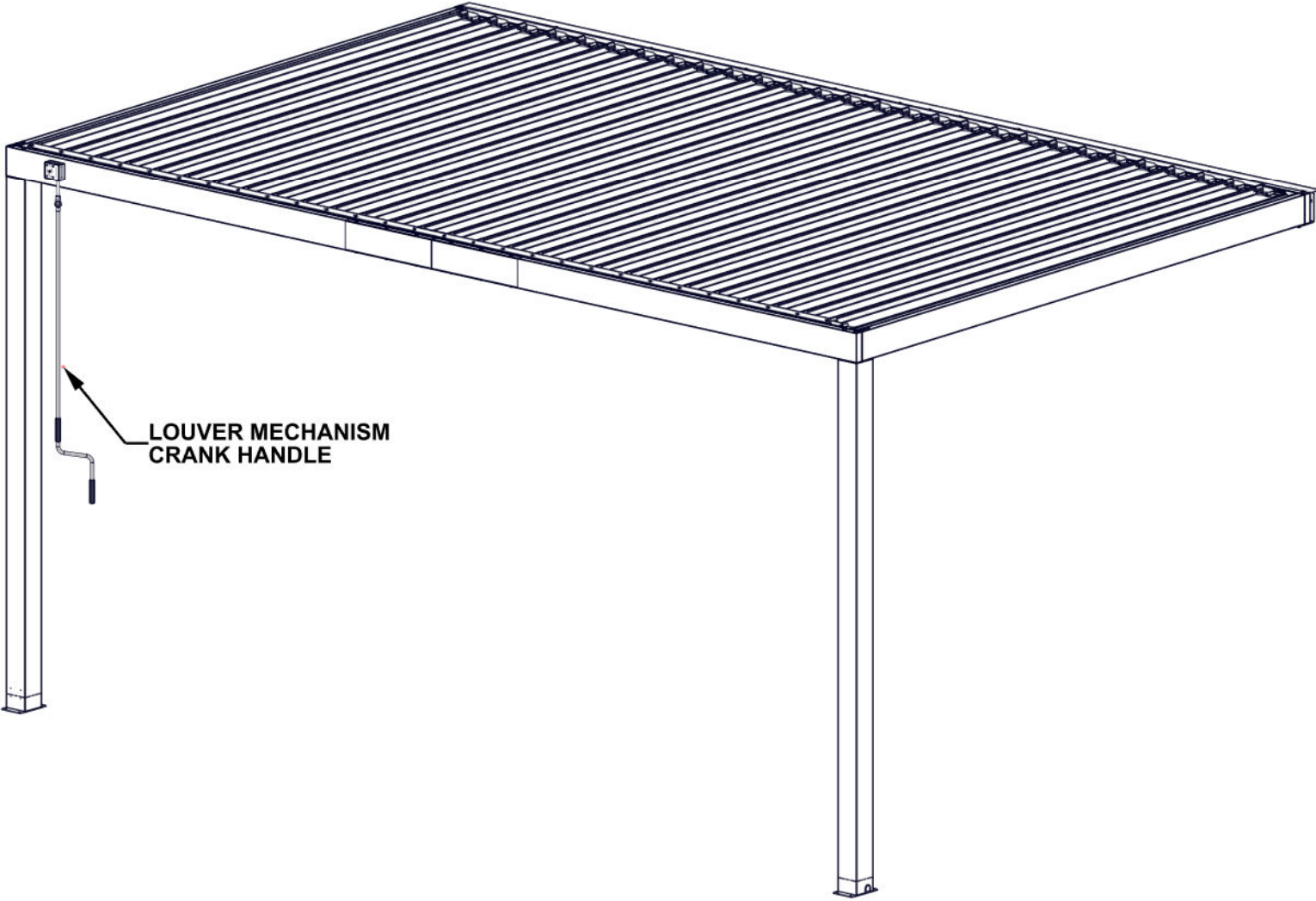
- DO NOT OVERTIGHTEN HARDWARE.  
- LINKAGES SHOULD BE ABLE TO ROTATE FREELY.



# STEP 28C - LOUVER MECHANISM

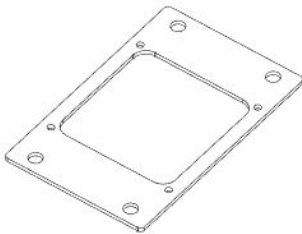


- CONNECT CRANK HANDLE TO MECHANISM. TURN HANDLE TO LOCK IN PLACE.



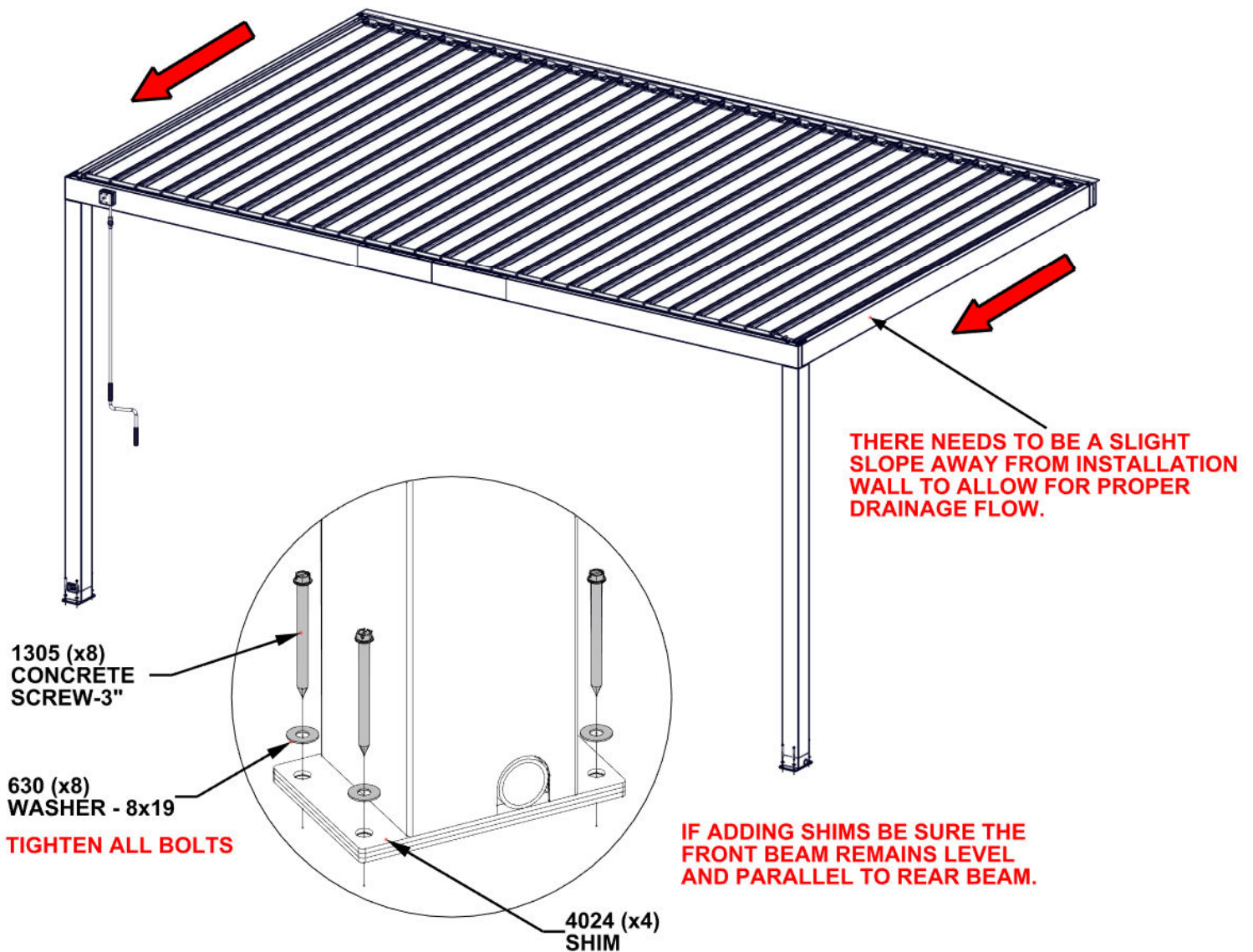
# STEP 29 - PERGOLA ANCHORING

Qty	PartNo	Description
8	H100630	WASHER FLAT 8x19 BLK
8	H101305	CONCRETE ANCHOR 1/4"x3" BLK



A4M04024 SHIM  
(x4)

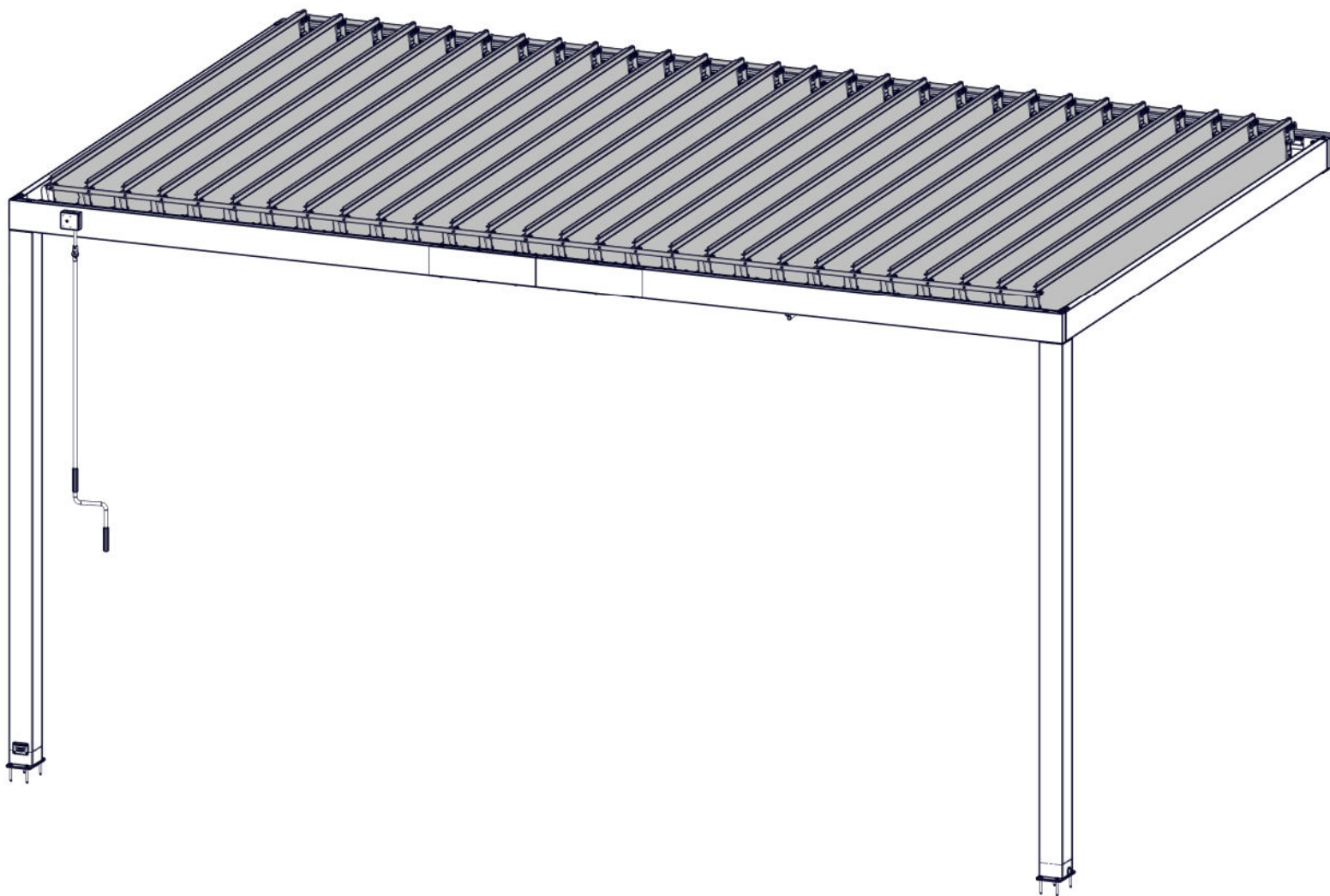
- NOTES:**
- MANUFACTURER RECOMMENDS INSTALLATION ON CONCRETE SURFACE OR CONCRETE POST PADS. SEE BELOW.
  - FOR INSTALLATION ON WOOD DECKS, YOU MUST ENSURE THERE IS AMPLE STRUCTURAL SUPPORT UNDER DECK.
  - PRE-DRILL HOLES FOR CONCRETE ANCHORS USING A 3/16" [5 mm] CONCRETE DRILL BIT.
  - REPEAT THIS STEP FOR TWO POSTS.
  - THERE NEEDS TO BE A SLIGHT SLOPE AWAY FROM INSTALLATION WALL TO ALLOW FOR PROPER DRAINAGE FLOW.

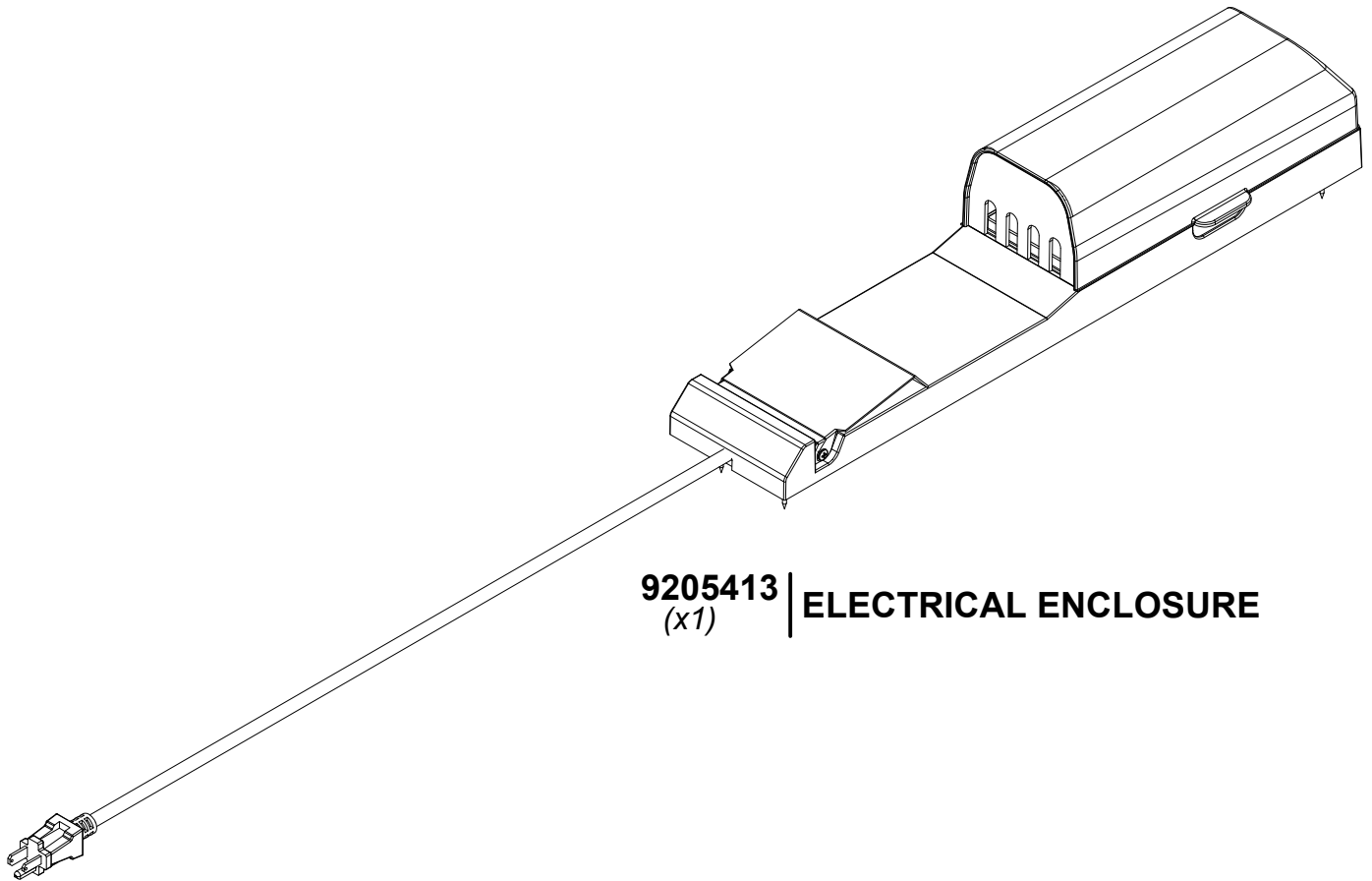


SHIMS ARE TO BE USED ONLY TO LEVEL PERGOLA DUE TO UNEVEN AND UNLEVEL AREAS ON FOUNDATION,

## STEP 30 - PREVENTATIVE MAINTENANCE

**NOTE - IT IS IMPORTANT TO TAKE CAUTION WHEN HIGH WINDS OR WINTER WEATHER SUCH AS ICE OR SNOW IS EXPECTED. IF INCLEMENT WEATHER ARISES, IT IS RECOMMENDED TO TURN LOUVERS INTO THE FULLY OPEN (UPRIGHT) POSITION. THIS WILL PREVENT DAMAGE TO THE STRUCTURE AND DECREASE THE CHANCES OF STRUCTURE OR LOUVER DAMAGE.**





**9205413** | **ELECTRICAL ENCLOSURE**  
*(x1)*

FOR POWERPORT INSTALLATION REFER TO ASSEMBLY INSTRUCTIONS THAT COME PACKAGED WITH THE POWERPORT KIT. INSTALL ON ANY EXTERIOR POST THAT IS DESIRED. FOLLOW DIRECTIONS FOR PROPER INSTALLATION.