



BOSCH

CONNECT TO NEXT-GEN TOOL CONTROL

Works with Bosch connected-ready tools
for customization, alerts and more

GCY42
Connectivity Module
Product Launch



TABLE OF CONTENTS

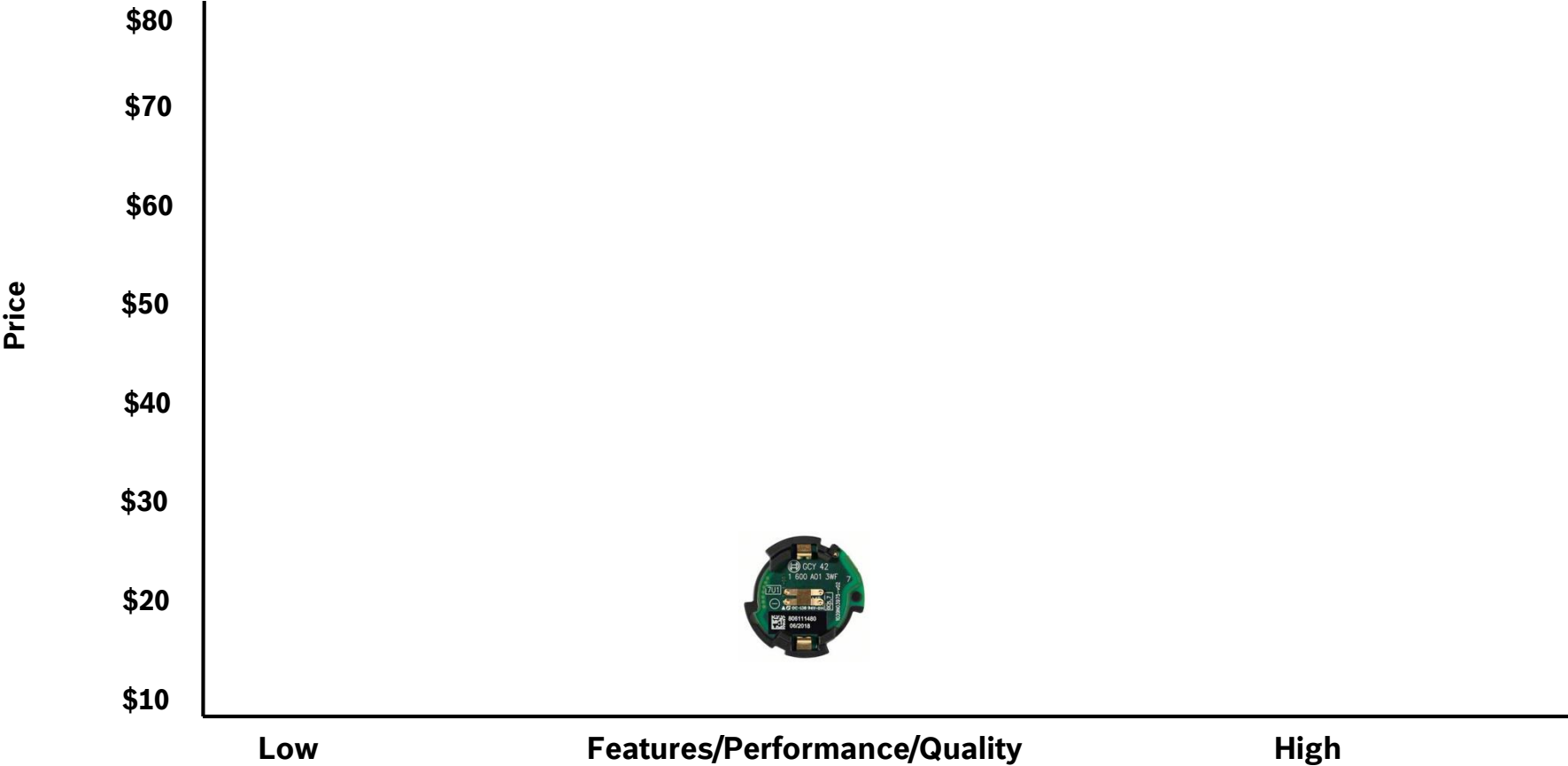
- Market Overview
- Features & Benefits
- Why Bosch
- Marketing Support
- Frequently Asked Questions



MARKET OVERVIEW



Product Landscape



No competitor offers such an add-on Bluetooth® tool management solution.



FEATURES & BENEFITS



About GCY42

- The Bosch GCY42 Connectivity Module allows the user to connect to next-gen tool control
- The module can be quickly installed into a variety of Bosch “connected-ready” tools to provide Bluetooth® connectivity to mobile devices
- Bosch connected-ready tools includes impact drivers, drill/drivers, hammer drill/drivers, grinders, rotary hammers, lights, circular saws, track saws and chargers
- The connectivity module links to the free Bosch Toolbox mobile app, so users can customize their tools, check tool and battery statuses, receive alerts about a tool issue and more
- The enhanced control provided by the connectivity enables users to be more productive
- The module offers up to a 100 Ft. connectivity range

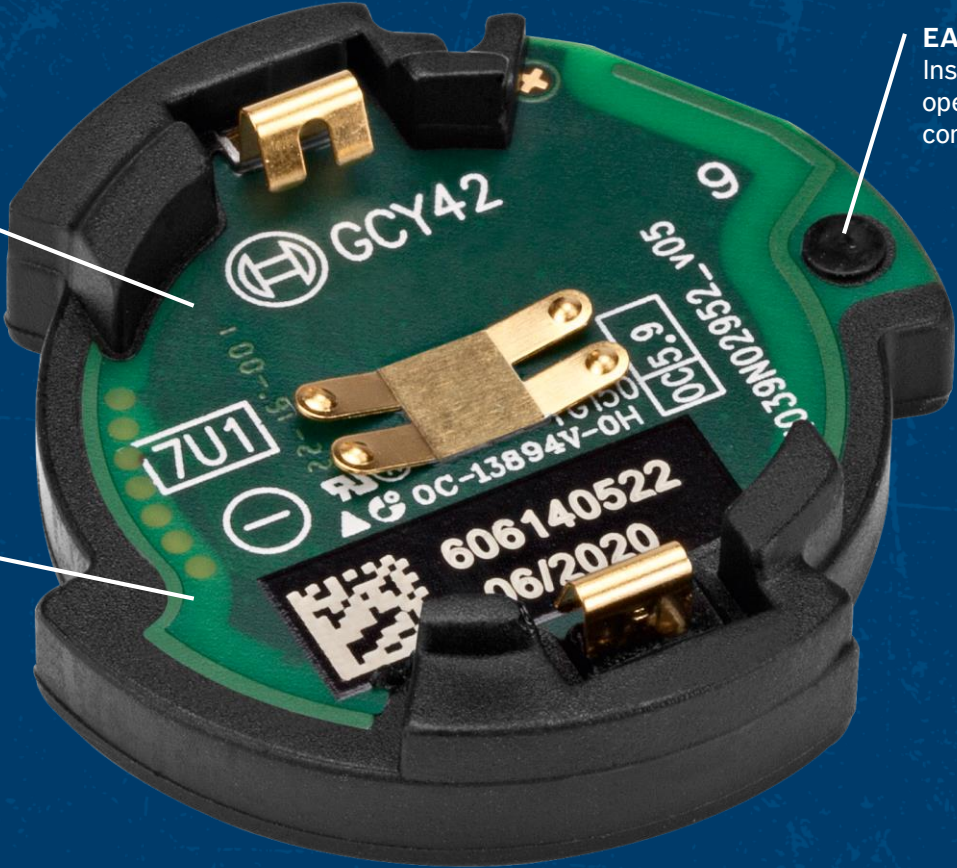


GCY42

WIDE RANGE
Offers up to 100 Ft.
Bluetooth® connectivity
range

BATTERY COMPATIBILITY
Requires common CR2032
Button/coin-size battery
(included with GCY42)

EASY INSTALLATION
Installs in seconds using any coin to
open and close the module-ready
compartment on the tool



Model : GCY42
Date Available: December 2019
Includes: GCY42 Connectivity Module



SPECIFICATIONS

Bluetooth®	Bluetooth® 4.2 (Low Energy)
Signal Range	~100 Ft. Max (depending on conditions)
Battery	Button/coin cell (3V Lithium, CR2032)
Battery Service Life	~24 months
Dimensions (H x Dia)	0.275" x 1.18"
WEIGHT	.22 lbs.

Features / Benefits

- ✓ **Connectivity Module Tool Enhancement** - Provides tool customization ability, tool and battery statuses and more
- ✓ **Wide Range** – Offers up to a 100 Ft. Bluetooth® connectivity range
- ✓ **Bosch Toolbox App Compatibility** – Allows for tool customization, tool and battery statuses and tool-asset inventory management
- ✓ **Next-Gen Customization** – Optimizes advanced electronic options such as soft-start rate, LED brightness or other settings, depending on the tool
- ✓ **Tool Alerts** – Notifies the user if the tool is overheating or the battery is overloading, or if a feature such as KickBack Control is activated, depending on the tool
- ✓ **Battery Status** – Delivers charge level information and provides low-battery alerts
- ✓ **Tool-Asset Inventory Information** – Provides feedback regarding tool usage, hours of operation, warranty and registration
- ✓ **Easy Installation** – Installs in seconds using a coin to open and close the module-ready compartment on the tool
- ✓ **Battery Compatibility** – Requires common CR2032 button/coin-size battery, which is included with the GCY42 connectivity module



Elements for GCY42

CAVITY COVER

Part of the power tool
(not included with GCY42)



CR2032 COIN CELL BATTERY

Included with GCY42



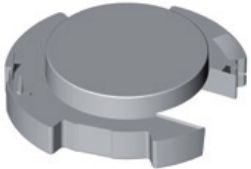
CONNECTIVITY MODULE

GCY42



CAVITY PLACEHOLDER

Part of the power tool
Not included with GCY42)



Bosch Connected-Ready Tools

Available Now

Item #	Description	User Interface Panel on Tool?
GDR18V-1800C	18V EC Brushless Connected-Ready 1/4 In. Hex Impact Driver	No
GDX18V-1800C	18V EC Brushless Connected-Ready Freak 1/4 In. and 1/2 In. Two-In-One Bit/Socket Impact Driver	No
GSB18V-755C	18V EC Brushless Connected-Ready Brute Tough 1/2 In. Hammer Drill/Driver	No
GSR18V-755C	18V EC Brushless Connected-Ready Brute Tough 1/2 In. Drill/Driver	No
GSB18V-535C	18V EC Brushless Connected-Ready Compact Tough 1/2 In. Hammer Drill/Driver	No
GSR18V-535C	18V EC Brushless Connected-Ready Compact Tough 1/2 In. Drill/Driver	No
GSR18V-535FC	18V EC Brushless Connected-Ready Flexiclick® 5-In-1 Drill/Driver	No
GWX18V-50PC	18V X-LOCK EC Brushless Connected-Ready 4-1/2 In.-5 In. Angle Grinder with No Lock-On Paddle Switch	No
GWS18V-45PSC	18V EC Brushless Connected 4-1/2 In. Angle Grinder with No Lock-On Paddle Switch	Yes
GAL18V-160C	18V Connected-Ready Lithium-Ion 16 Amp Battery Turbo Charger	No
GLI18V-1200C	18V Connected LED Floodlight	No
GLI18V-2200C	18V Connected LED Floodlight	No

Coming Q3 & Q4 2020

Item #	Description	User Interface Panel on Tool?
GKS18V-25GC*	18V BITURBO Brushless Connected-Ready 7-1/4 In. Circular Saw	Yes
GKS18V-25C*	18V BITURBO Brushless Connected-Ready 7-1/4 In. Circular Saw	No
GKT18V-20GC*	18V BITURBO Brushless Connected-Ready 5-1/2 In. Track Saw	Yes
GBH18V-34CQ*	18V BITURBO Brushless Connected-Ready SDS-plus® 1-1/4" Rotary Hammer	Yes
GBH18V-36C*	18V BITURBO Brushless Connected-Ready SDS-max® 1-9/16" Rotary Hammer	Yes
GBH18V-45C*	18V BITURBO Brushless Connected-Ready SDS-max® 1-7/8" Rotary Hammer	Yes
GWS18V-13C	18V 5 In. - 6 In. Slide-Switch Angle Grinder	No
GCM18V-12GDC*	12" Glide Miter Saw	Yes
GLI18V-4000C	18V Connected LED Floodlight	No
GLI18V-10000C	18V Connected LED Floodlight	No

*Launch Date TBD



Control & Customization Feature Summary for Tools Combined with GCY42

Product Group	Drill/Drivers	Impactors	Hammers	Grinders	Saws	Charger
Models	GSB18V-535C/755C GSR18V-535C/755C GSR18V-535FC	GDR18V-1800C GDX18V-1800C	GBH18V-36C GBH18V-45C GBH18V-34CQ	GWS18V-45C* GWS18V-45PC* GWS18V-45PSC* GWX18V-50PC* GWS18V-13C GWX18V-13C	GKS18V-25C GKS18V-25GC GKT18V-20GC GCM18V-12GDC	GAL18V-160C
Available	Yes	Yes	Coming Soon	*Yes/Coming Soon	Coming Soon	Yes
Basic Information						
Type of Connectivity	Optional GCY42	Optional GCY42	Optional GCY42	Optional GCY42	Optional GCY42	Optional GCY42
Battery Type Required	CR2032	CR2032	CR2032	CR2032	CR2032	CR2032
Connectivity Range	Up to 100 Ft.*	Up to 100 Ft.*	Up to 100 Ft.*	Up to 100 Ft.*	Up to 100 Ft.*	Up to 100 Ft.*
User Interface Screen	No	No	Yes	Yes for PSC models	Yes for GC & GDC Models	No
Tool Control & Customization Features						
Operational Modes:	Precision Clutch On/Off (On 535Cs only)	na	na	na	na	na
	na	na	Ramp-Up Speed: (hammer-drilling only) Configure slow to fast	na	na	na
	na	na	Hammer Drilling-Performance: Configure maximum RPM	na	na	na
	Kickback Control Activation Point	na	Chiseling Performance: Configure maximum BPM	na	na	na
	na	Softstart On/Off	KickBack Control: (Hammer drilling only) Activation Point - (ALL) On/Off (-34CQ, -36C) (Soft start): (chiseling only) On/ Off	na	na	na
	na	na	Favorite Mode	na	na	na
LED Worklight:	LED Worklight: na na Afterglow Time	LED Worklight: On/Off na Afterglow Time	LED Worklight: On/Off Brightness Afterglow Time	LED Worklight: On/Off (only on) Brightness Afterglow Time (45PSC Only)	LED Worklight: On/Off Brightness Afterglow Time	na na na
User Interface Screen	na na na	na na na	User Interface Screen: Brightness Afterglow Time	User Interface Screen: Brightness Afterglow Time (45PSC Only)	User Interface Screen: Brightness Afterglow Time	na na na
RPM Adjustment:	na na na	na na na	na na na	na - -	RPM Adjustment: Speed Levels Custom RPM (GC & GDC Models Only)	na na na
Eco Mode	na	na	na	na	Eco Mode (GC & GDC Models Only)	na
Charging Mode Control:	na na na na na	na na na na na	na na na na na	na na na na na	na na na na na	Charging Modes: Standard Mode Power Boost Mode Max Lifetime Mode Storage Mode Set Default Charging Mode



Status, Notification & Usage Features for Tools Combined with GCY42

Product Group	Drill/Drivers	Impactors	Hammers	Grinders	Saws	Charger
Models	GSB18V-535C/755C GSR18V-535C/755C GSR18V-535FC	GDR18V-1800C GDV18V-1800C	GBH18V-36C GBH18V-45C GBH18V-34CQ	GWS18V-45C* GWS18V-45PC* GWS18V-45PSC* GWX18V-50PC* GWS18V-13C GWX18V-13C	GKS18V-25C GKS18V-25GC GKT18V-20GC GCM18V-12GDC	GAL18V-160C
Available	Yes	Yes	Coming Soon	*Yes/Coming Soon	Coming Soon	Yes
Basic Information						
Type of Connectivity	Optional GCY42	Optional GCY42	Optional GCY42	Optional GCY42	Optional GCY42	Optional GCY42
Battery Type Required	CR2032	CR2032	CR2032	CR2032	CR2032	CR2032
Connectivity Range	Up to 100 Ft.*	Up to 100 Ft.*	Up to 100 Ft.*	Up to 100 Ft.*	Up to 100 Ft.*	Up to 100 Ft.*
User Interface Screen	No	No	Yes	Yes for PSC models	Yes for GC & GDC Models	No
Tool Status Features						
<u>Battery Status:</u>	<u>Battery Status:</u>	<u>Battery Status:</u>	<u>Battery Status:</u>	<u>Battery Status:</u>	<u>Battery Status:</u>	<u>Battery / Charging Status:</u>
Charge Level	Charge Level	Charge Level	Charge Level	Charge Level	Charge Level	Current charging mode
	na	na	na	na	na	Current charge level (Percent Full)
	na	na	na	na	na	Time until charge finished
	na	na	na	na	na	
	na	na	na	na	na	
	na	na	na	na	na	
Notifications / Alerts - Such As:						
Battery Charge	na	na	Low battery	Low battery	Low battery	na
	na	na	na	na	na	Charge Complete Audio Signal
	na	na	na	na	na	On/Off
Overheating:	na	na	Overheating:	Overheating:	Overheating:	Overheating:
	na	na	Battery	Battery	Battery	Battery
	na	na	Electronics	Electronics	Electronics	Electronics
	na	na	Motor	Motor	Motor	na
Sensor Activation Types	na	na	Sensor Activation Types:	Sensor Activation Types:	Sensor Activation Types:	na
	na	na	Restart	Restart	Restart	na
	na	na	KickBack	KickBack	na	na
	na	na	Drop Control	Drop Control	na	na
Usage Information - Such As:						
Total Run Time	Total Run Time	Total Run Time	Total Run Time	Total Run Time	N/A	Percentage Full Time Remaining Battery Health Last Charge
Sensor Activation No.	KickBack Activations	N/A	KickBack Activations	KickBack Activations Restart Protection Activations Drop Control Activations	Restart Protection Activations	N/A

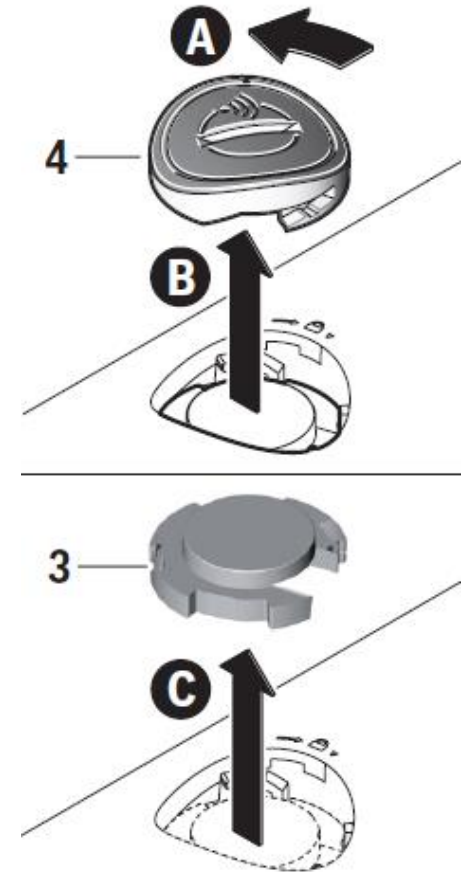


Installing the GCY42 Connectivity Module (Preparation)

- A. Unlock the *cover of connectivity module 4* on the power tool by turning it counterclockwise with a flat-head screwdriver or a large coin. Using unsuitable objects can damage the electronics or the cover.
- B. Lift the cover of connectivity module **4** and put it aside.
- C. Pull out the cavity placeholder **3**.

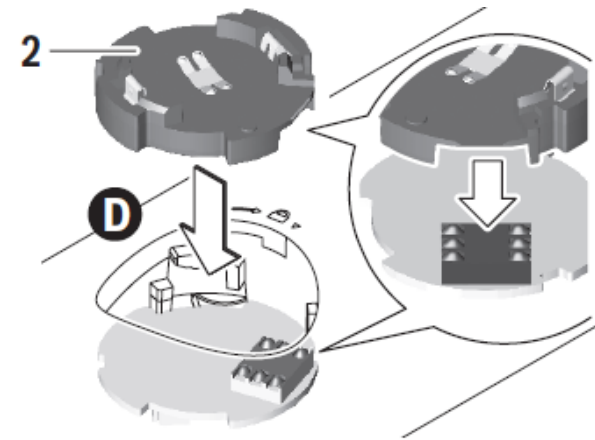
Notes:

- Store the placeholder **3** in a safe place.
- Reinsert the cavity placeholder again if the communications module is ever removed.

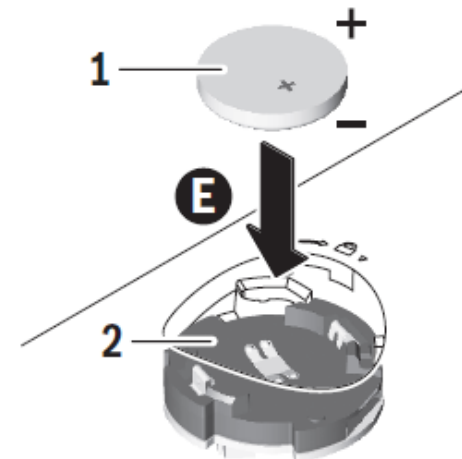


Installing the GCY42 Connectivity Module (Continued)

- D. Insert the GCY42 module **2** into the power tool. Make sure that the terminals inside the tool and the module align.

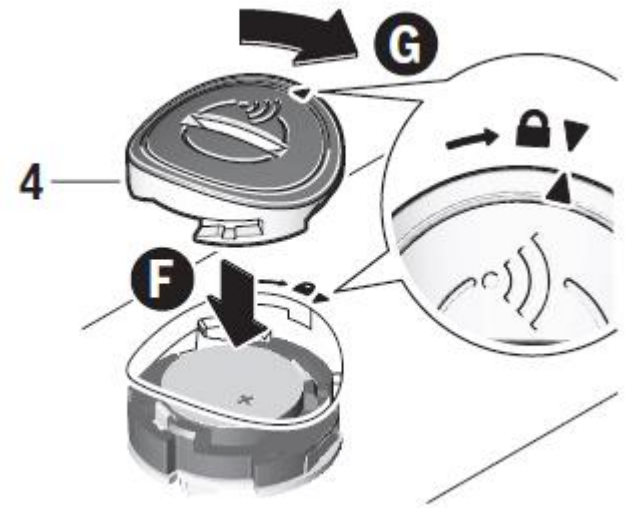


- E. Insert the button/coin cell battery **1** into the GCY42 module **2** with the plus terminal facing upwards. It is not necessary to push in the battery.



Installing the GCY42 Connectivity Module (Finish)

- F. Lower the cover 4 into the tool.
- G. Lock the cover 4 in place by turning it clockwise with a flat-head screwdriver or a large coin until the triangles on the cover and the tool align and the cover clicks in place.



Pricing Information

Model#	Description	10-Digit #	MSRP	Tier 1	Tier 2
GCY42	Connectivity Module	1600A016NG	\$20.00	\$15.00	\$14.40

Set-Up Information

Model#	Bare Product Weight (Lbs.)	Pack Weight (Lbs.)	Pkg. Qty.	UPC	Packaging Dimensions (In.)	Cube (Ft.)	Pallet Qty.	Pallet Cube (Ft.)	Harmonized Tariff No.	Country of Origin
GCY42	0.02	0.10	1	000346627879	1.1 x 4.25 x 5.2	0.014	1920	48.6	8517620050	Poland



WHY BOSCH



Why Bosch

User Needs:

Bosch Delivers:

✓ Customization

- The GCY42 Connectivity Module provides access to available customized settings on connection-ready tools, such as tool speed, brightness of the LED and other tool-specific features.

✓ Alert Notification

- Connected-ready tools equipped with Connectivity Module can send alerts to mobile devices via the Bosch Toolbox app. Alerts include battery status as well as optional KickBack Control or fall protection activation. Temporary shutdown notification in case of battery overload or tool overheating can also be communicated.

✓ Asset Management

- Receive feedback about connected tools and batteries through the Bosch Toolbox app to help manage tool-asset inventory. Related notifications include tool usage, hours of operation, warranty information, and tool registration status.



MARKETING SUPPORT



Marketing Support

COLLATERAL

- Fact sticker



IMF #	Description
2020-013	GCY42 Fact Sticker



FREQUENTLY ASKED QUESTIONS



Frequently Asked Questions

Why is the GCY42 Connectivity Module not being included with all of the connected-ready tools in the way that the GCY30-4 Connectivity Module has been included with the GWS18V-45PSCB14?

We want to offer our customers the greatest amount of flexibility that we can. We are focused on user needs, and value-flexibility in cordless is very important to our market. We believe that the best way to offer the GCY42 Connectivity Module is to make it available as a separate product for users that want to pay for this attractive product upgrade.

What is the status of the GCY30-4 that has been included with the GWS18V-45PSCB14?

We've cancelled the launch of the GCY30-4 as it is not forward-compatible with the wide array of "second-wave" connected-ready tools that are being launched in 2020. The only Connectivity Module we will offer is the GCY42.

Will the GCY42 Connectivity Module now be included with the GWS18V-45PSCB14 grinder kit?

No. The GWS18V-45PSCB14 will soon be replaced by a new execution (which will include a GBA18V80 8.0 Ah CORE18V Battery). For consistency with all of our other current and future connected-ready tools, it will not include a Connectivity Module.

Will all of the tools that are "connected-ready" have an on-board user interface panel?

No. The Connectivity Module provides benefits to connected-ready tools whether or not they have an on-board user interface panel.

For tools that have an on-board user interface panel, is it necessary to purchase and install a Connectivity Module to make use of the user interface panel?

No. The user interface panel can be used without the Connectivity Module, although the Connectivity Module and its app enhance the benefits of the user interface panel.



Frequently Asked Questions

What does the “Simply Connected” icon signify and where will it be used?

The “Simply Connected” icon signifies that the tool (or charger) is connected-ready.

What does a “C” in the suffix of a model name mean?

A “C” in the suffix of a model name also signifies that the tool (or charger) is connected-ready.

Will the GCY42 be used as the means for Bluetooth® connectivity with connected-ready tools going forward?

For the most part, yes. There will be some products that have Bluetooth® connectivity “built-in” as it is on the PB360C.

Are there any plans to update the connectivity of existing Bosch connected tools (PB360C, GLI18V-1200C and GLI18V-2200C) to use the GCY42 as the means for Bluetooth® connectivity?

No. Their built-in connectivity have been accepted by the market and there are no plans to change them.

What type of button/coin-size battery does the GCY42 require?

The GCY42 requires a 3V CR2032 button/coin-size Lithium-ion battery. One of these batteries is included with the GCY42. CR2032 batteries are widely-distributed so finding a replacement is easy.



Frequently Asked Questions

Is the same connectivity module cavity placeholder included with all tools that are connected ready?

Yes. The part number is 1600A00M53.

Is the cover for tool's connectivity module compartment becomes lost, can I replace it with the cover from another tool model?

While there are some models that use the same cover, this is not true across the entire range of connected-ready tools.

Is it possible to update the connectivity?

Yes. It is "FOTA" capable, meaning that the firmware of the chip as well as other software updates and/or bug fixes can be provided after product launch enabling compatibility with future products.


What is the difference between the GCY42 and the Bluehound module?

The GCY42 and Bluehound modules are entirely separate products. The GCY42 Connectivity Module links to the free Bosch Toolbox mobile app so users can customize and monitor specific features of an individual tool. Bosch Bluehound is a cloud-based asset management solution enabling users and organizations to track a fleet of Bosch tools or any asset via the Bluehound Bluetooth® "tag," web portal, and/or mobile application.




**If you have any product questions,
please contact Jocelyn Cronin or
Chris Gregory**

Jocelyn.cronin@us.bosch.com

 +224-277-9578

Christopher.gregory@us.bosch.com

 +224-355-5373

