



Manufactured by:
Backyard Discovery
3305 Airport Drive, Pittsburg, KS 66762
800-856-4445

Basepoint Business Centre: Rivermead Drive, Westlea, Swindon SN5 7EX Phone: 0800-118-2476
J.P. Coenstraat 7, The Bridge, The Hague, 2595 WP, Netherlands Phone: 08005678990

12x9.5 STONEBRIDGE GAZEBO

MODEL # : 2306080B



Please visit www.backyarddiscovery.com
For the most up to date assembly manual, to register your product, or to order
replacement parts *Para obtener instrucciones en español, visite*
www.backyarddiscovery.com



EASY STEP-BY-STEP
3D INTERACTIVE INSTRUCTIONS
DOWNLOAD THE FREE APP



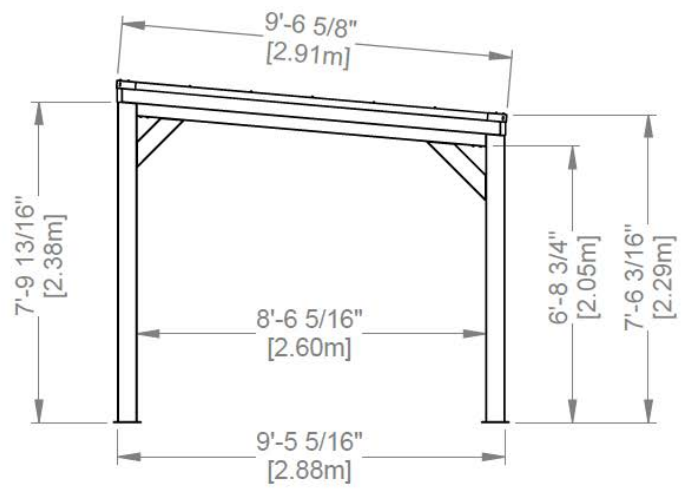
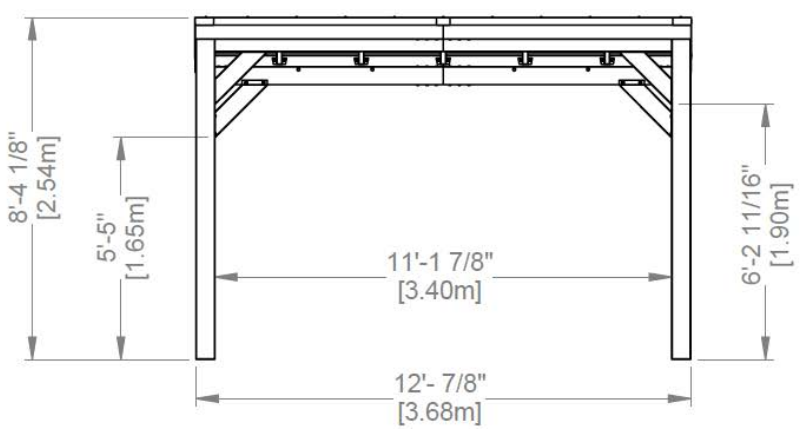
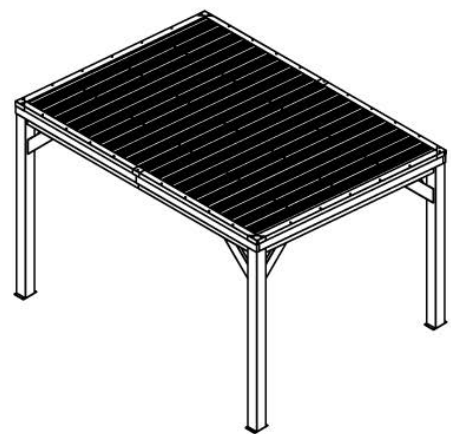
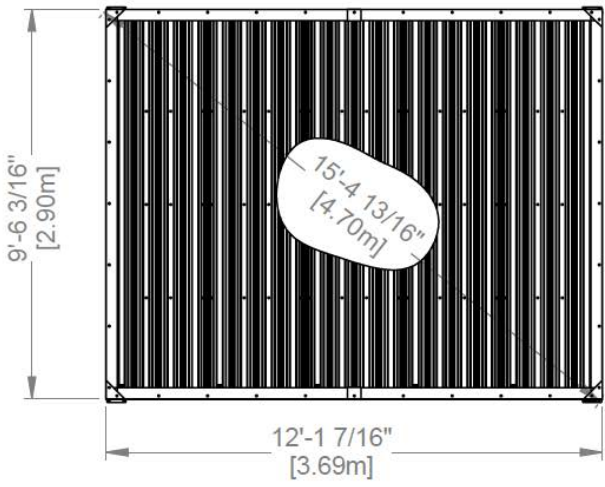
OWNER'S MANUAL - BASIC SETUP DIMENSIONS & ASSEMBLY NOTES

It is critically important that you start with square and level footings, concrete pad or deck to attach your structure

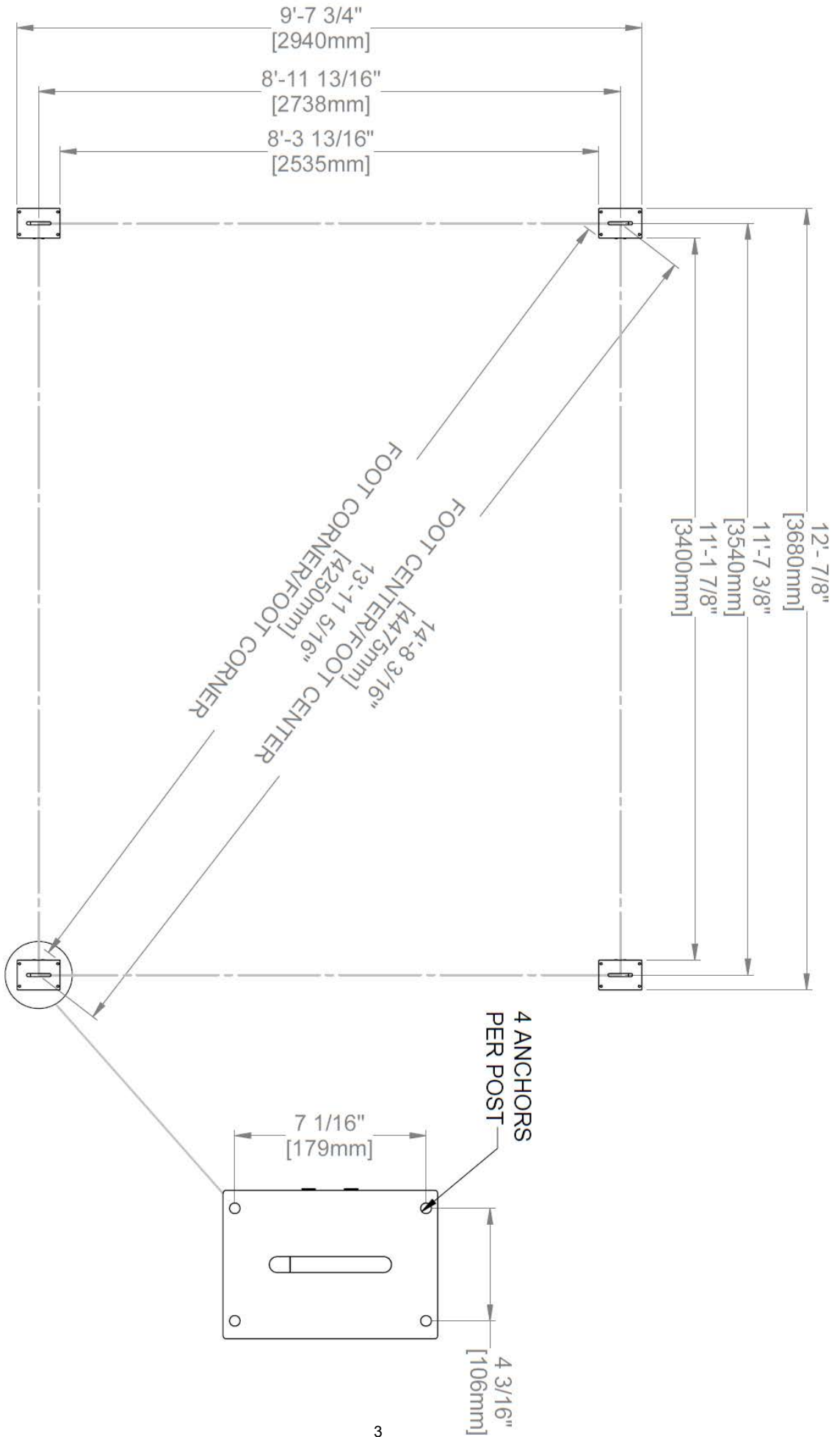
- Pay close attention to the items needed for each step. Make sure you are using the correct hardware for each step. Using incorrect hardware may result in improper assembly
- Remember to double check for underground utilities and overhead electrical lines

Post mounts are provided with your structure which allows you to permanently install your structure to a pre-existing or new wood or concrete surface. See Anchor Instructions for further details and recommendations.

- The hardware to attach the post mounts to the structure is included.
- The hardware to mount the structure permanently to a concrete surface is included.
- The hardware to mount the structure permanently to a wood deck is NOT included and will need to be purchased separately. You must ensure there is ample structural support under the deck before permanently attaching.



OWNER'S MANUAL - ANCHORING LAYOUT



OWNER'S MANUAL - PARTS IDENTIFICATION

METAL COMPONENTS (NOT TO SCALE)



P01 FRONT POST - A4M01808
(x1) 5 1/2"x8"x97" (140x202x2462)



P02 FRONT POST - A4M01809
(x1) 5 1/2"x8"x97" (140x202x2462)



P03 BACK POST - A4M01810
(x1) 5 1/2"x8"x87 5/8" (140x202x2225)



P04 BACK POST - A4M01811
(x1) 5 1/2"x8"x87 5/8" (140x202x2225)



B01 FRONT BEAM - A4M01812
(x2) 1 3/8"x5 1/4"x72 5/8" (36x134x1845)



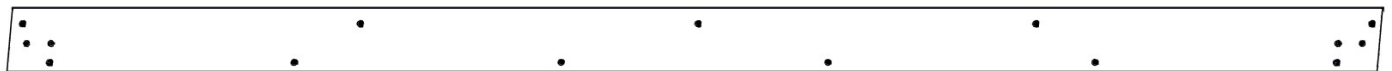
B02 BEAM - A4M01813
(x2) 1 3/8"x5 1/4"x72 5/8" (36x134x1845)



B03 BEAM - A4M01815
(x2) 1 3/8"x5 1/4"x66 7/8" (36x134x1699)



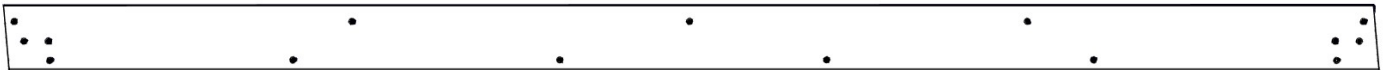
B04 FRONT BEAM - A4M01816
(x2) 1 3/8"x5 1/4"x66 7/8" (36x134x1699)



B05 SIDE BEAM - A4M01819
(x1) 1 3/8"x5 1/4"x111 3/4" (36x134x2839)



B06 SIDE BEAM - A4M01825
(x1) 1 3/8"x5 1/4"x103 1/8" (36x134x2618)



B07 SIDE BEAM - A4M01827
(x1) 1 3/8"x5 1/4"x111 3/4" (36x134x2839)



B08 SIDE BEAM - A4M01828
(x1) 1 3/8"x5 1/4"x103 1/8" (36x134x2618)



C01 RAFTER - A4M01833
(x5) 1 5/8"x2 3/8"x111 1/2" (40x60x2831)

OWNER'S MANUAL - PARTS IDENTIFICATION

METAL COMPONENTS (NOT TO SCALE)



D01 CORBEL - A4M01817
(x2) 2 3/4"x5 13/16"x22 1/4" (70x147x565)



D02 CORBEL - A4M01818
(x2) 2 3/4"x5 13/16"x22 1/4" (70x147x565)



D03 CORBEL - A4M01826
(x1) 2 3/4"x5 11/16"x20 1/16" (70x145x509)



D04 CORBEL - A4M01830
(x1) 2 3/4"x5 11/16"x20 1/16" (70x145x509)



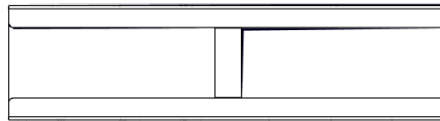
D05 CORBEL - A4M01831
(x1) 2 3/4"x5 7/8"x24 13/16" (70x149x631)



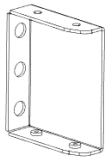
D06 CORBEL - A4M01832
(x1) 2 3/4"x5 7/8"x24 13/16" (70x149x631)



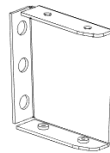
E01 PURLIN - A4M01840
(x10) 3/4"x1 5/8"x71 1/8" (20x40x1806)



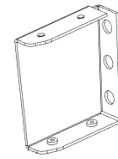
J1 SPLICE BRACKET - A4M01980
(x4) 1 5/16"x5 3/16"x19 11/16" (33.2x131x500)



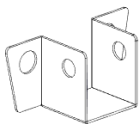
A4M01814 BEAM BRACKET
(x4)



A4M01820 ANGLED BEAM BRACKET
(x2)



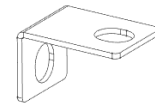
A4M01824 ANGLED BEAM BRACKET
(x2)



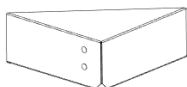
A4M01834 RAFTER BRACKET
(x10)



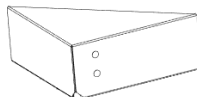
A4M01352 HOLE COVER
(x16)



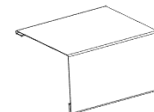
A4M01844 PURLIN BRACKET
(x10)



A4M02930 CORNER PROTECTOR
(x2)



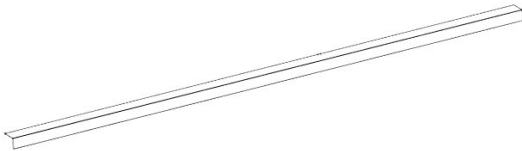
A4M02931 CORNER PROTECTOR
(x2)



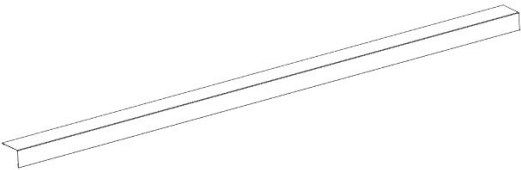
A4M02929 TRIM SPLICE
(x2)

OWNER'S MANUAL - PARTS IDENTIFICATION

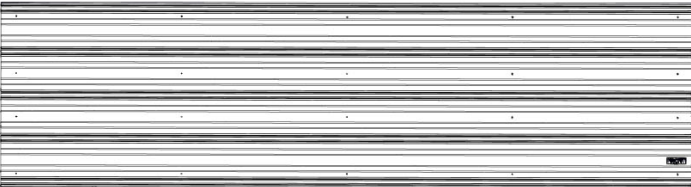
METAL COMPONENTS (NOT TO SCALE)



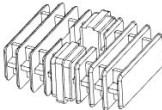
A4M02927 EDGE TRIM
(x2)



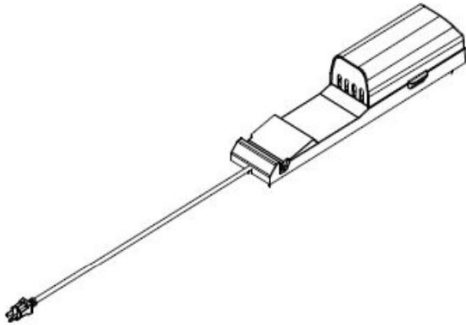
A4M02951 EDGE TRIM
(x4)



A4M02925 29GA STEEL SHEETING
(x5)



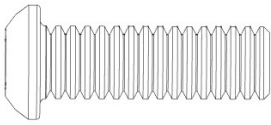
A6P00530 2-WAY SQUARE PLUG
(x5)



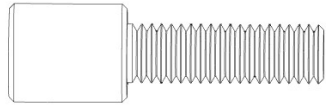
9205413 ELECTRICAL ENCLOSURE
(x1)

OWNER'S MANUAL - PARTS IDENTIFICATION

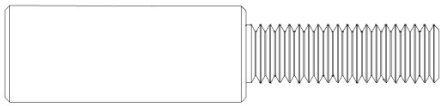
HARDWARE COMPONENTS (NOT TO SCALE)



H101101 TORX PAN HEAD
(x192) 1/4-20x3/4



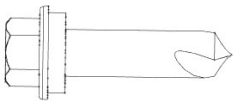
H101132 TORX SOCKET SCREW SHORT
(x25) 1/4-20



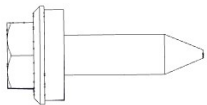
H101103 TORX SOCKET SCREW
(x16) 1/4-20



H100120 CONCRETE ANCHOR
(x16) 1/4x2



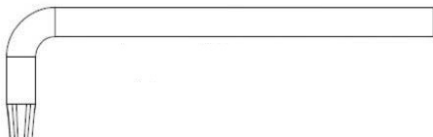
H101116 SCREW SELF TAPPING
(x36) 1/4x1 BLK



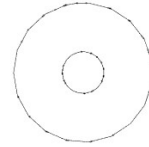
H101117 SCREW WOODGRIP
(x100) 10x3/4 BLK



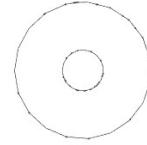
H100147 TORX BIT
(x1) T-30



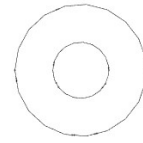
H100114 TORX WRENCH
(x1) T-30



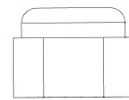
H101053 STEEL WASHER
(x192) 6x20



H101054 SEALANT WASHER
(x192)



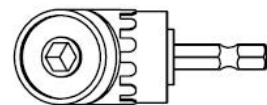
H100630 FLAT WASHER BLK
(x26) 8x19



H100653 NUT LOCK BLK
(x10) 1/4



H100567 BOLT WH BLK
(x10) 1/4-20x2 1/4



H101114 RIGHT ANGLE
DRILL ADAPTER
(x1)



H101100 MAGNETIC DRIVER
(x1)



H101106 SOCKET DRIVER
(x1)

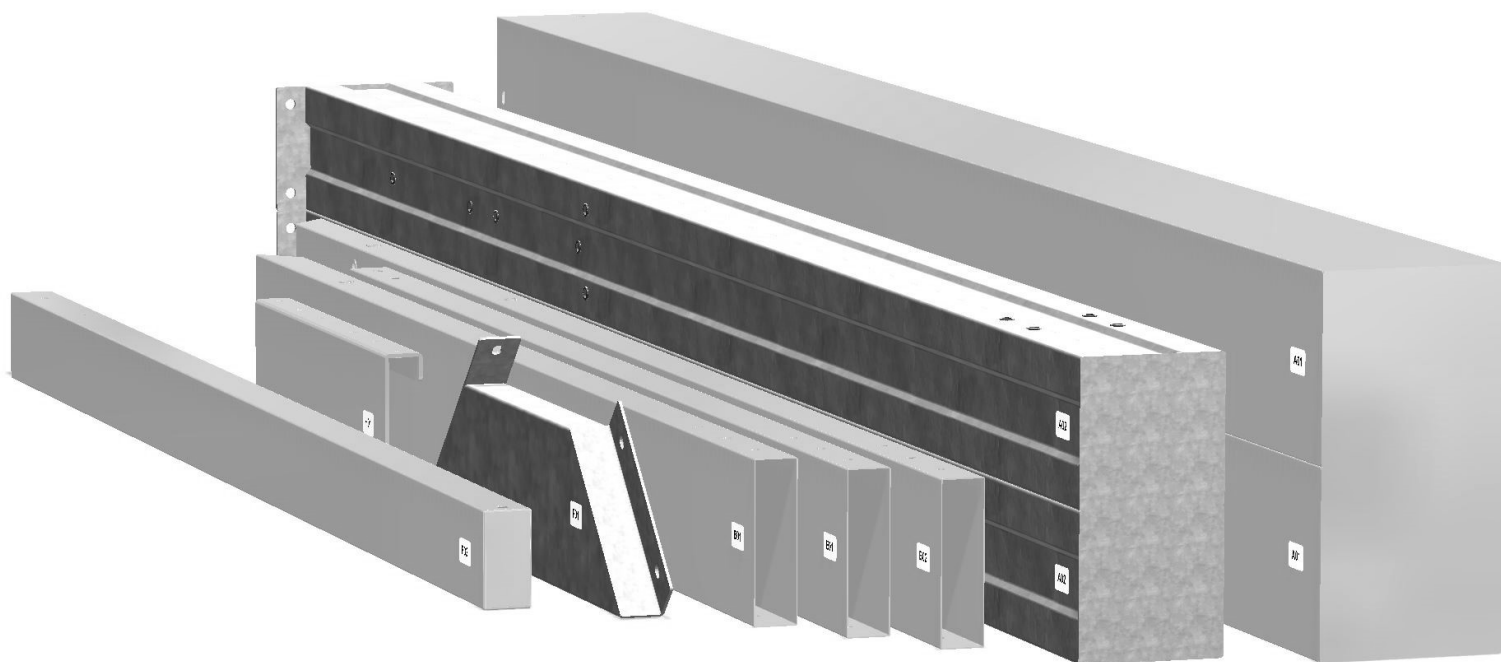
PRE-ASSEMBLY STEP 1 - SORTING PARTS

It is critical for ease of assembly that you take the time to sort and organize the parts and hardware.

METAL PARTS:

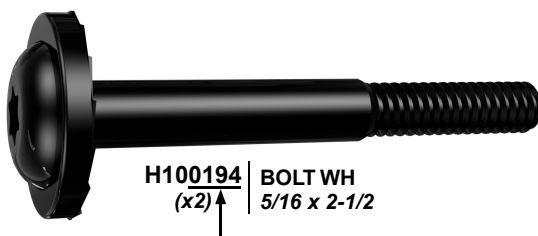
- Organize metal parts by the three-digit, alpha-numeric number stamped on each part (ex. P01).
- If there are multiple parts with the same stamped number, stack those pieces together.
- Stamps can be found on the flat surface of the parts or on the end of the parts.
- Allow yourself plenty of room - the parts can take up a significant amount of space.

NOTE: CARTONS ARE NOT ORGANIZED BY PART NUMBER.



HARDWARE PARTS:

- We recommend that you have a separate table to organize the hardware.
- Hardware bags are printed with a seven-digit, alpha-numeric part number.
- You can organize your hardware by part number or group by hardware type (i.e. bolts, nuts, etc.).
- During assembly you only need to reference the last four digits of the number.



PRE-ASSEMBLY STEP 2 - TOOLS REQUIRED



Cordless Drill or Electric Drill



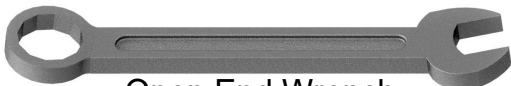
Drill Attachments:
Phillips Head



1/8", 3/16", 3/8" &
7/16" Drill Bits



Phillips Screw Driver



Open End Wrench
7/16"



3/8" Drive Ratchet, 1/2" &
7/16" STD Sockets 1/2" & 7/16"
Deep Sockets



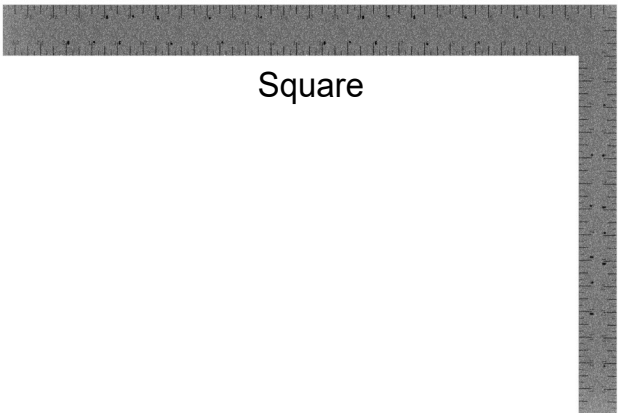
Claw Hammer



Rubber Mallet -
Optional



Tape Measure



Square



Level 24"

PRE-ASSEMBLY STEP 3 - CHOOSE YOUR ASSEMBLY METHOD

There are several types of assembly instructions available to you.

1. Printed Assembly Manual included with your set
2. BILT APP - 3D interactive instructions
3. Combination of the Printed Manual and BILT APP (Note: Step numbers can differ between the two methods)



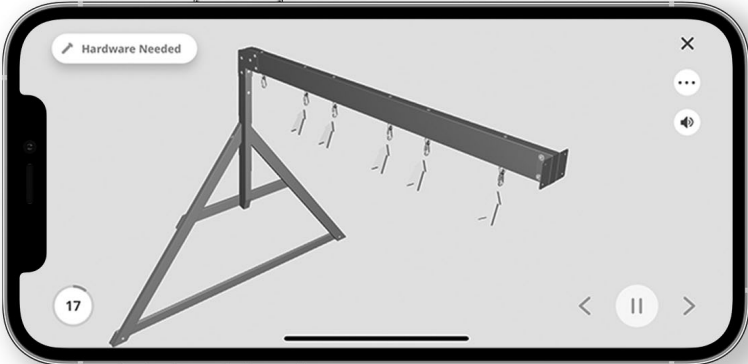
BILT.[®]

Scan for easy
3D instructions

Download the BILT app
before you begin

Download on the
App Store

GET IT ON
Google Play



The image shows a smartphone screen displaying a 3D assembly instruction. The screen features a 3D model of a metal frame with a horizontal beam and several hanging components. A 'Hardware Needed' button is visible in the top left corner of the app interface. The number '17' is shown in a circle in the bottom left corner, indicating the current step. Navigation arrows and a pause button are visible in the bottom right corner of the app interface.

STEP 1 - BEAM ASSEMBLY

QTY	PART NUMBER	DESCRIPTION
6	H101054	SEALANT WASHER
6	H101053	STEEL WASHER 6x20
6	H101101	TORX PAN HEAD 1/4-20x3/4"



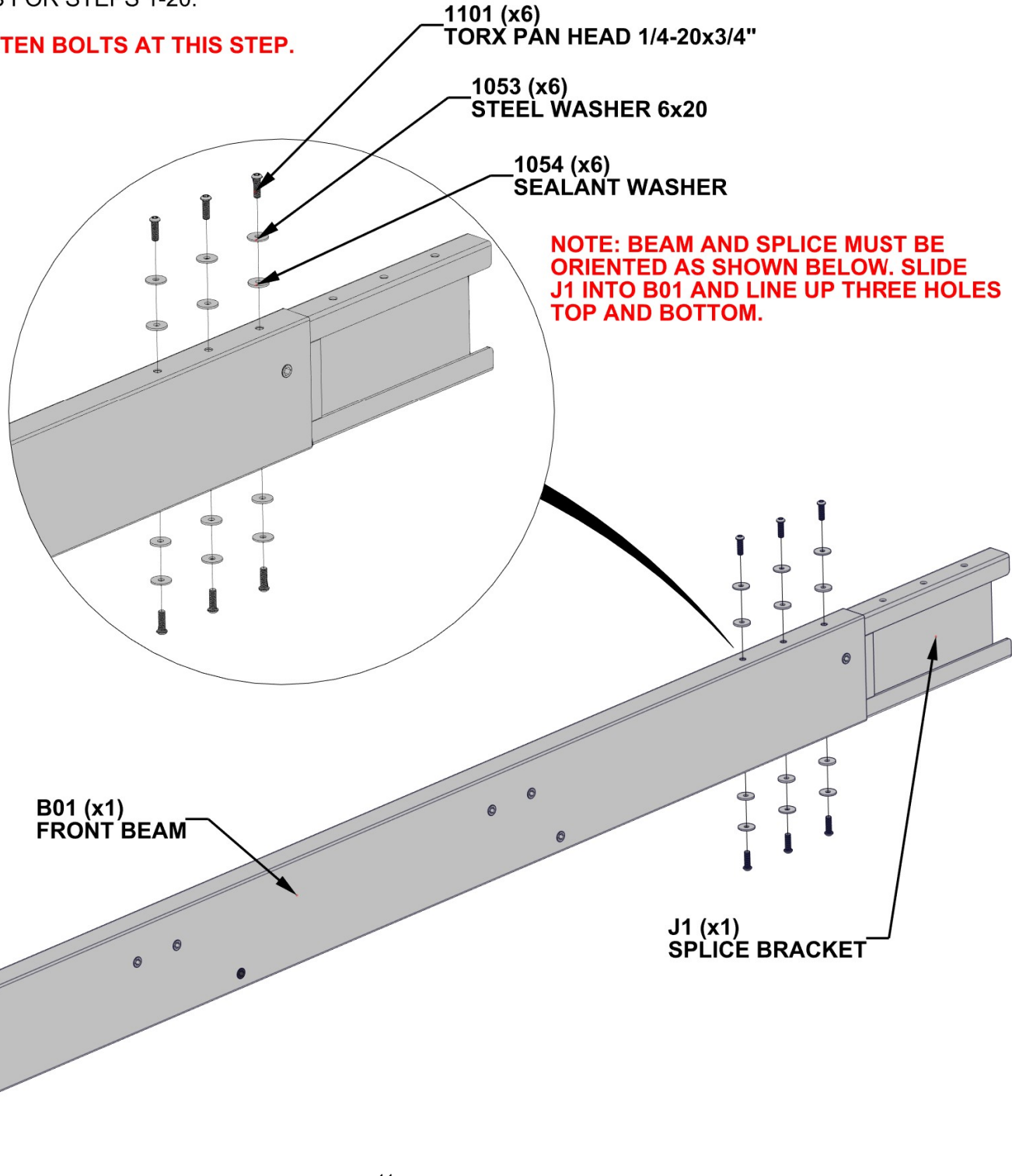
B01 FRONT BEAM - A4M01812
(x1) 1 3/8"x5 1/4"x72 5/8" (36x134x1845)



J1 SPLICE BRACKET - A4M01980
(x1) 1 5/16"x5 3/16"x19 11/16" (33.2x131x500)

FOR EASE OF ASSEMBLY, WE RECOMMEND USING SAW HORSES FOR STEPS 1-20.

DO NOT FULLY TIGHTEN BOLTS AT THIS STEP.

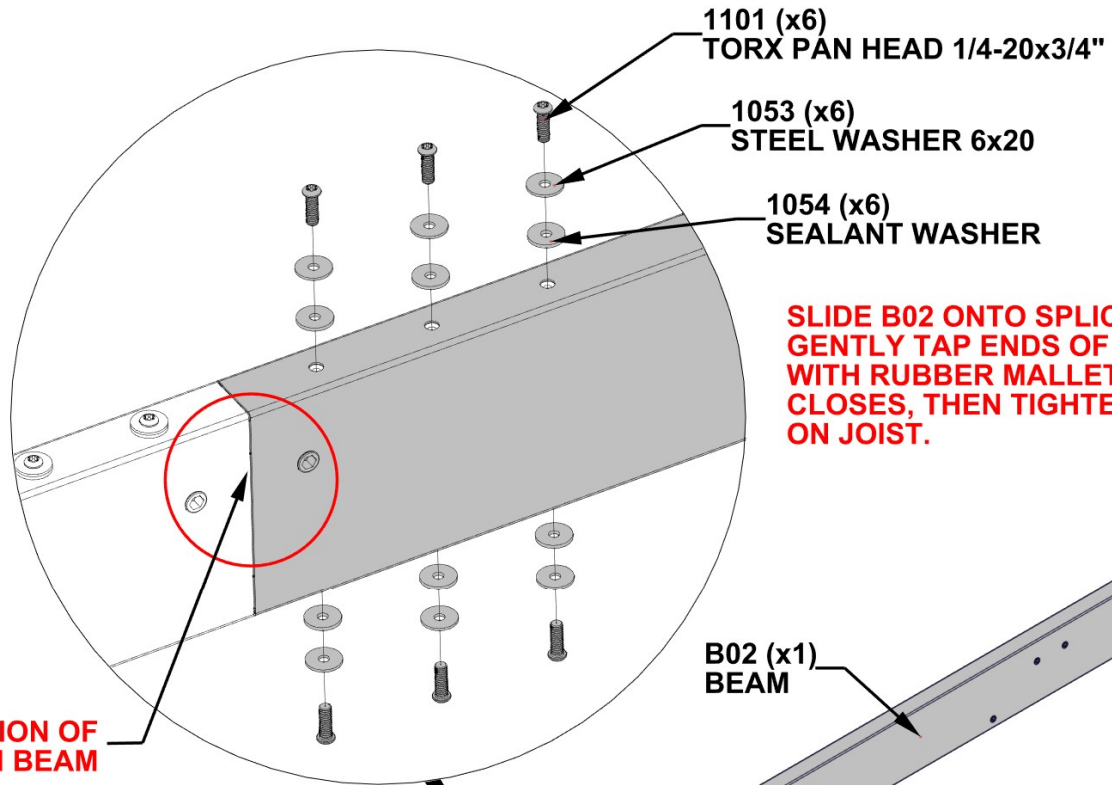


STEP 2 - BEAM ASSEMBLY

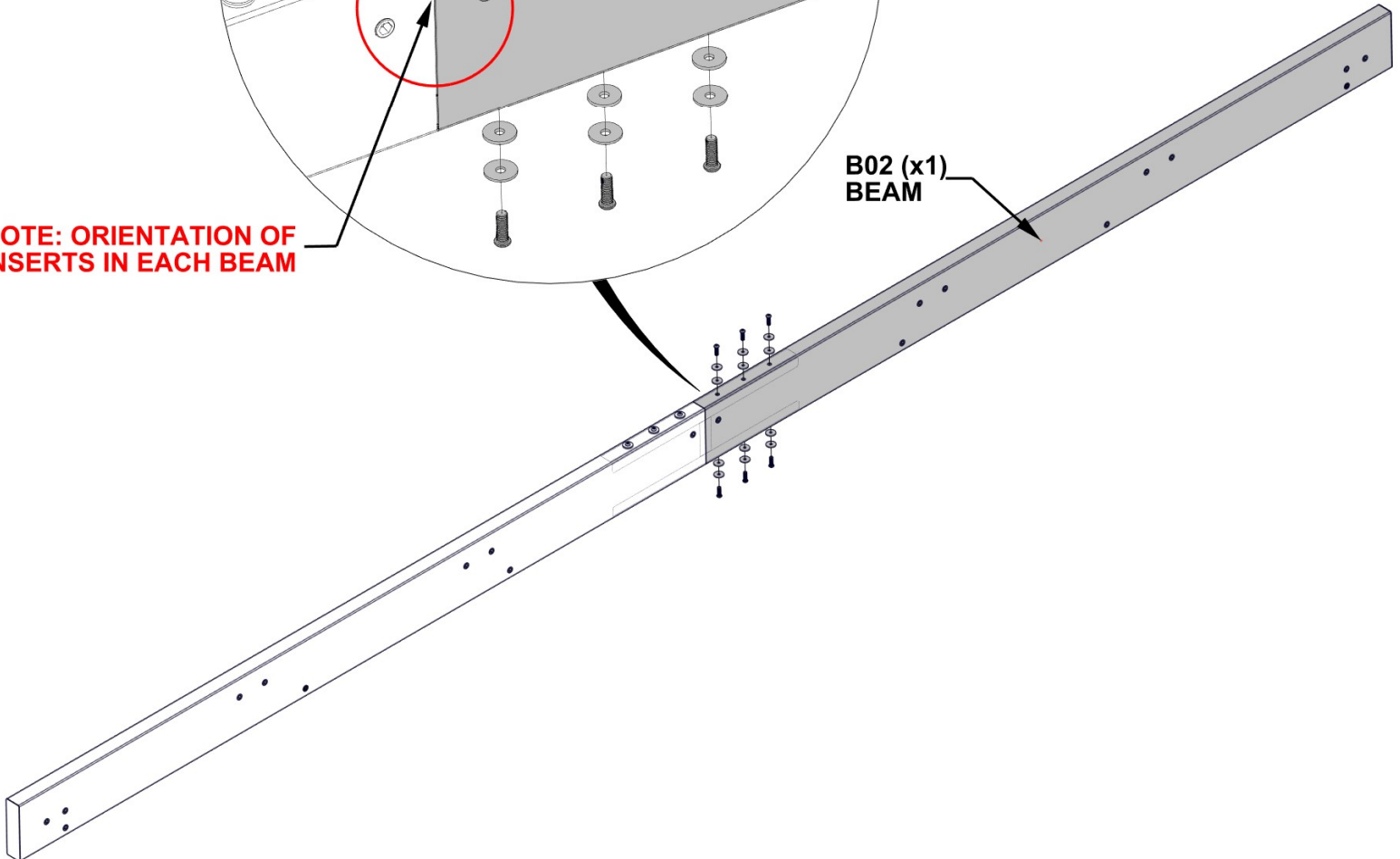


B02 BEAM - A4M01813
 (x1) 1 3/8"x5 1/4"x72 5/8" (36x134x1845)

QTY	PART NUMBER	DESCRIPTION
6	H101054	SEALANT WASHER
6	H101053	STEEL WASHER 6x20
6	H101101	TORX PAN HEAD 1/4-20x3/4"



NOTE: ORIENTATION OF INSERTS IN EACH BEAM

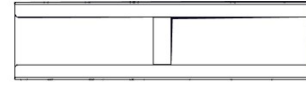


STEP 3 - BEAM ASSEMBLY

QTY	PART NUMBER	DESCRIPTION
6	H101054	SEALANT WASHER
6	H101053	STEEL WASHER 6x20
6	H101101	TORX PAN HEAD 1/4-20x3/4"



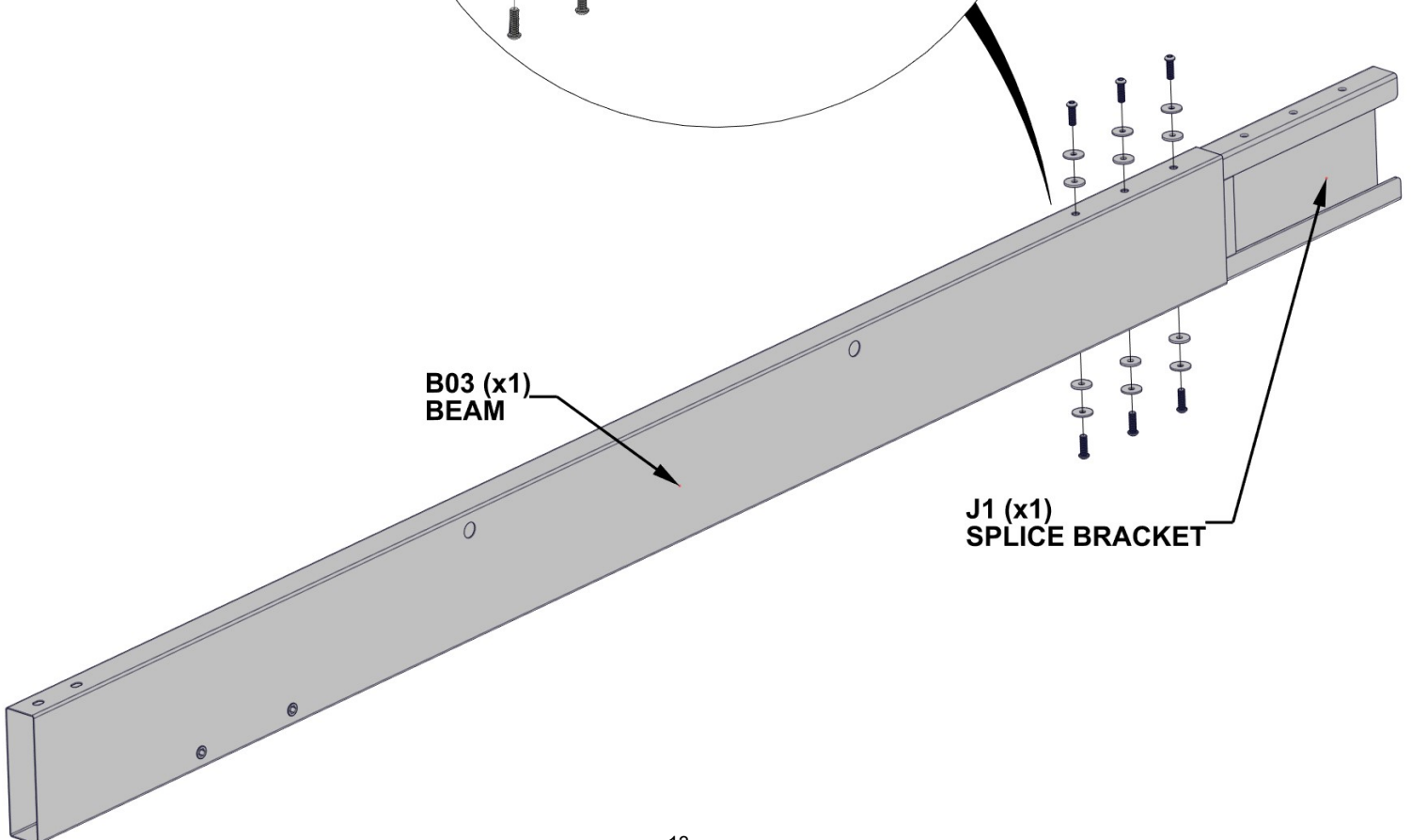
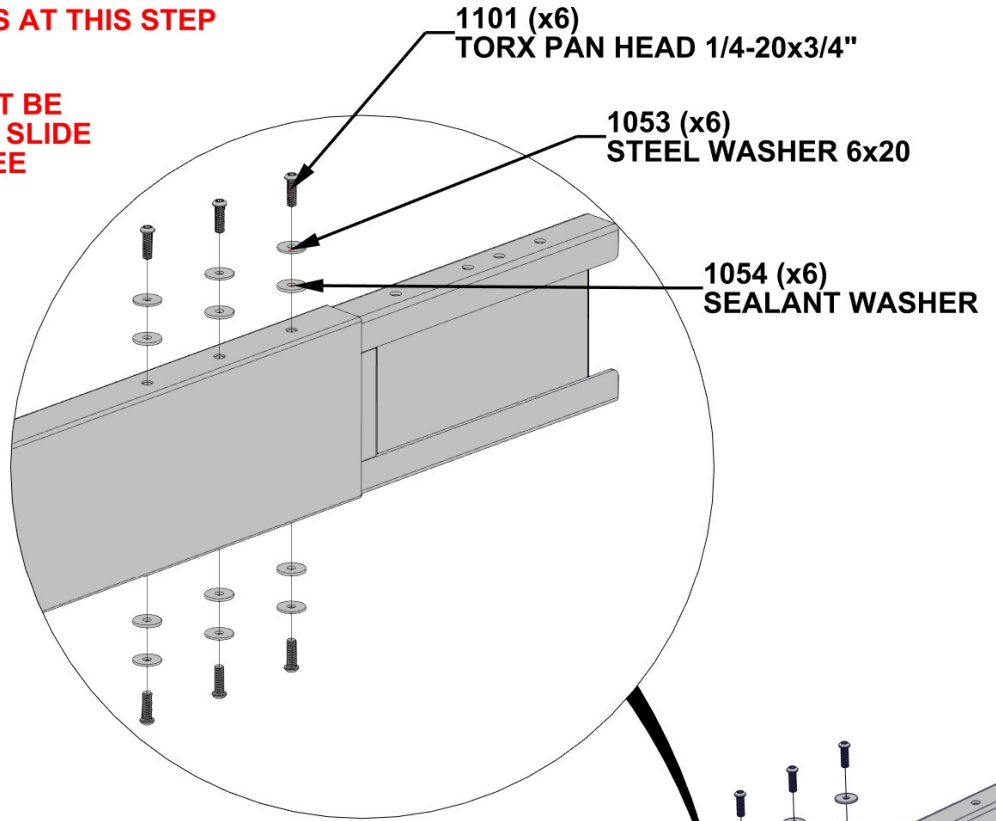
B03 BEAM - A4M01815
 (x1) 1 3/8"x5 1/4"x66 7/8" (36x134x1699)



J1 SPLICE BRACKET - A4M01980
 (x1) 1 5/16"x5 3/16"x19 11/16" (33.2x131x500)

DO NOT FULLY TIGHTEN BOLTS AT THIS STEP

NOTE: BEAM AND SPLICE MUST BE ORIENTED AS SHOWN BELOW. SLIDE J1 INTO B03 AND LINE UP THREE HOLES TOP AND BOTTOM.

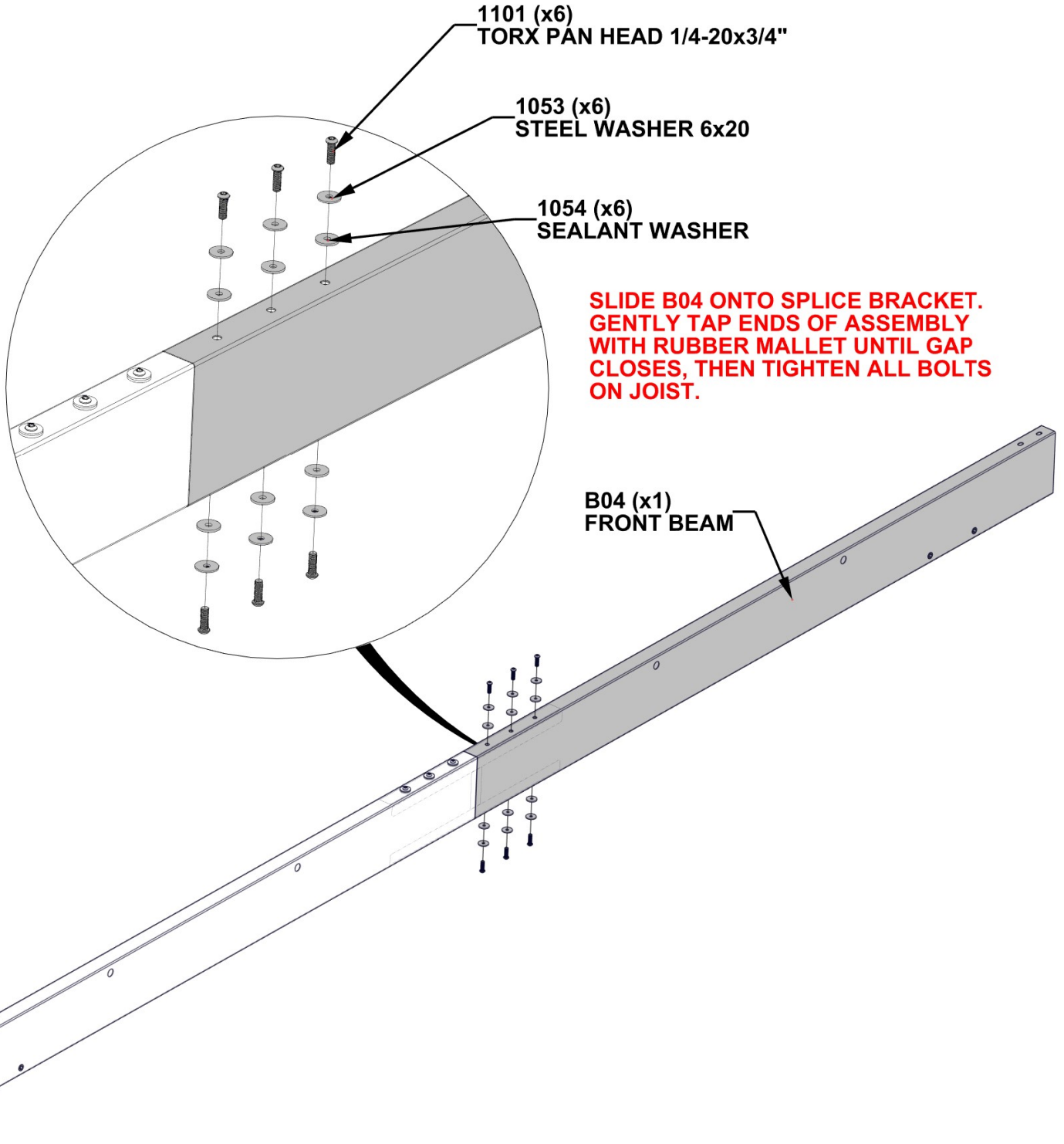


STEP 4 - BEAM ASSEMBLY



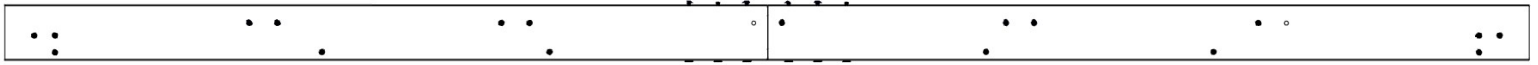
B04 FRONT BEAM - A4M01816
 (x1) 1 3/8"x5 1/4"x66 7/8" (36x134x1699)

QTY	PART NUMBER	DESCRIPTION
6	H101054	SEALANT WASHER
6	H101053	STEEL WASHER 6x20
6	H101101	TORX PAN HEAD 1/4-20x3/4"



STEP 5 - BEAM ASSEMBLY

QTY	PART NUMBER	DESCRIPTION
4	H101103	TORX SOCKET SCREW 1/4-20

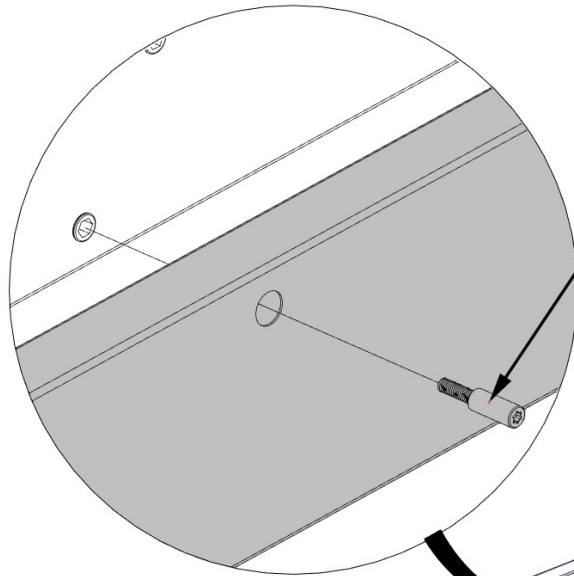


UPPER BEAM ASSEMBLY STEPS 1-2



LOWER BEAM ASSEMBLY STEPS 3-4

ALIGN THRU HOLES IN LOWER BEAM ASSEMBLY WITH ZERTS IN UPPER BEAM ASSEMBLY.

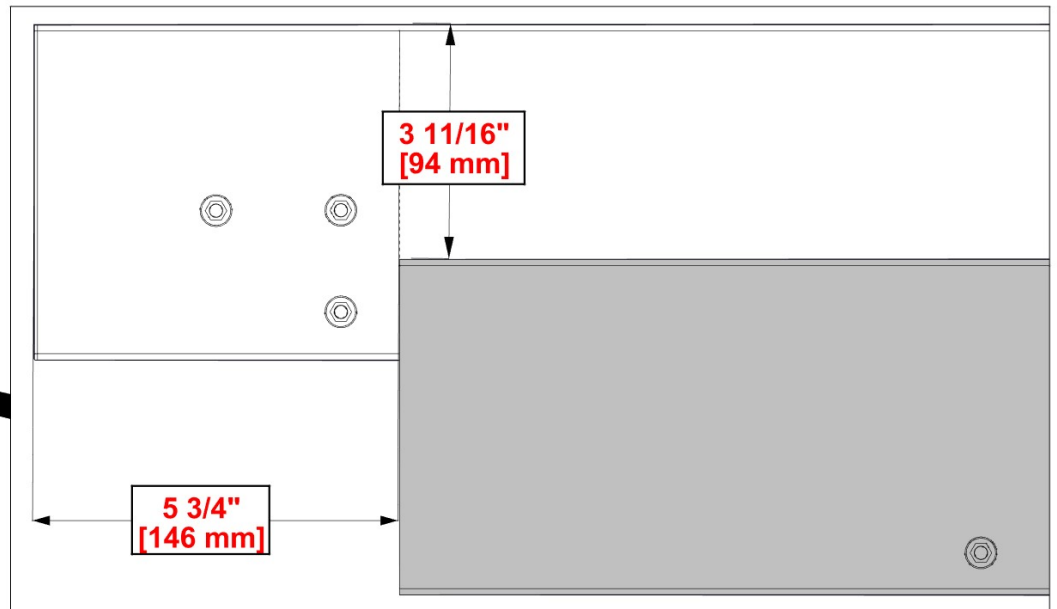


**1103 (x4)
TORX SOCKET SCREW 1/4-20**

UPPER BEAM ASSEMBLY

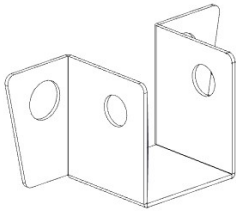
LOWER BEAM ASSEMBLY

FRONT VIEW



DIMENSIONS ARE THE SAME AT BOTH ENDS AND CRITICAL TO THE BEAM ASSEMBLY

STEP 6 - BEAM ASSEMBLY



A4M01834 RAFTER BRACKET
(x5)

QTY	PART NUMBER	DESCRIPTION
10	H101053	STEEL WASHER 6x20
10	H101101	TORX PAN HEAD 1/4-20x3/4"
10	H101054	SEALANT WASHER

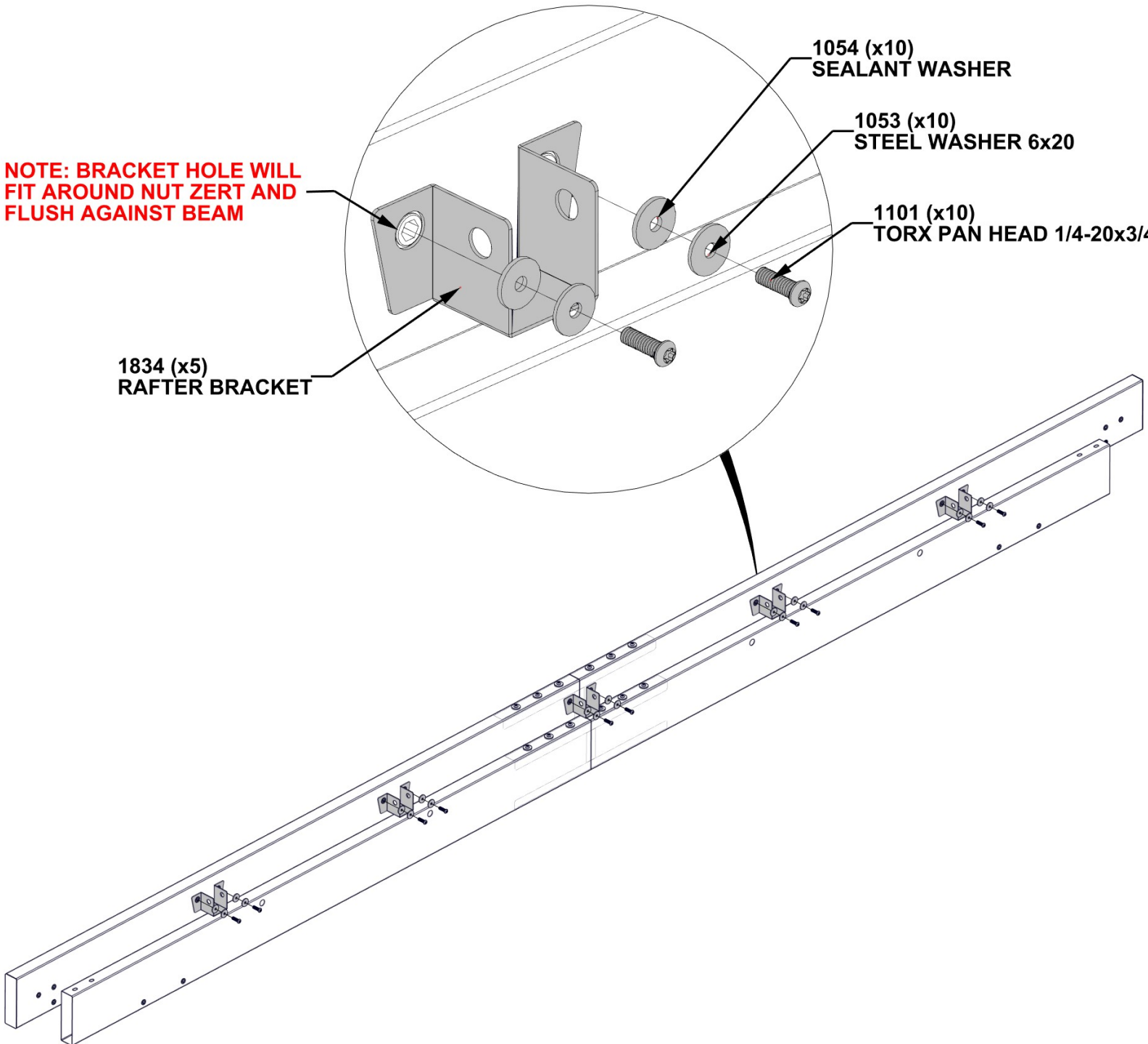
NOTE: BRACKET HOLE WILL FIT AROUND NUT ZERT AND FLUSH AGAINST BEAM

1834 (x5)
RAFTER BRACKET

1054 (x10)
SEALANT WASHER

1053 (x10)
STEEL WASHER 6x20

1101 (x10)
TORX PAN HEAD 1/4-20x3/4"



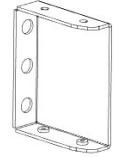
**REPEAT BEAM ASSEMBLY
STEPS 1 THROUGH 6.**

STEP 7 - POST ASSEMBLY

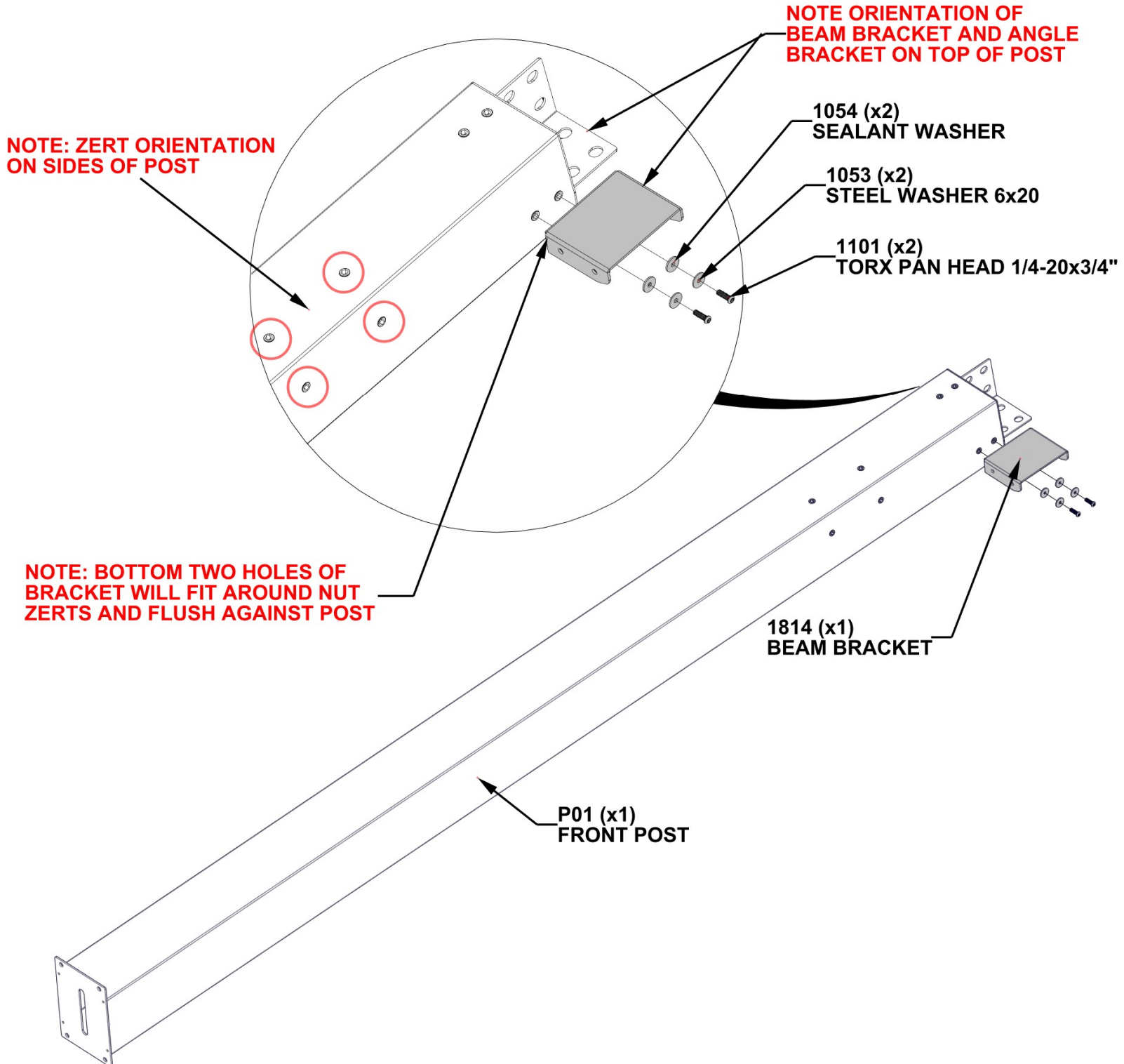
QTY	PART NUMBER	DESCRIPTION
2	H101054	SEALANT WASHER
2	H101053	STEEL WASHER 6x20
2	H101101	TORX PAN HEAD 1/4-20x3/4"



P01 FRONT POST - A4M01808
(x1) 5 1/2"x8"x97" (140x202x2462)



A4M01814 BEAM BRACKET
(x1)



STEP 8 - POST ASSEMBLY

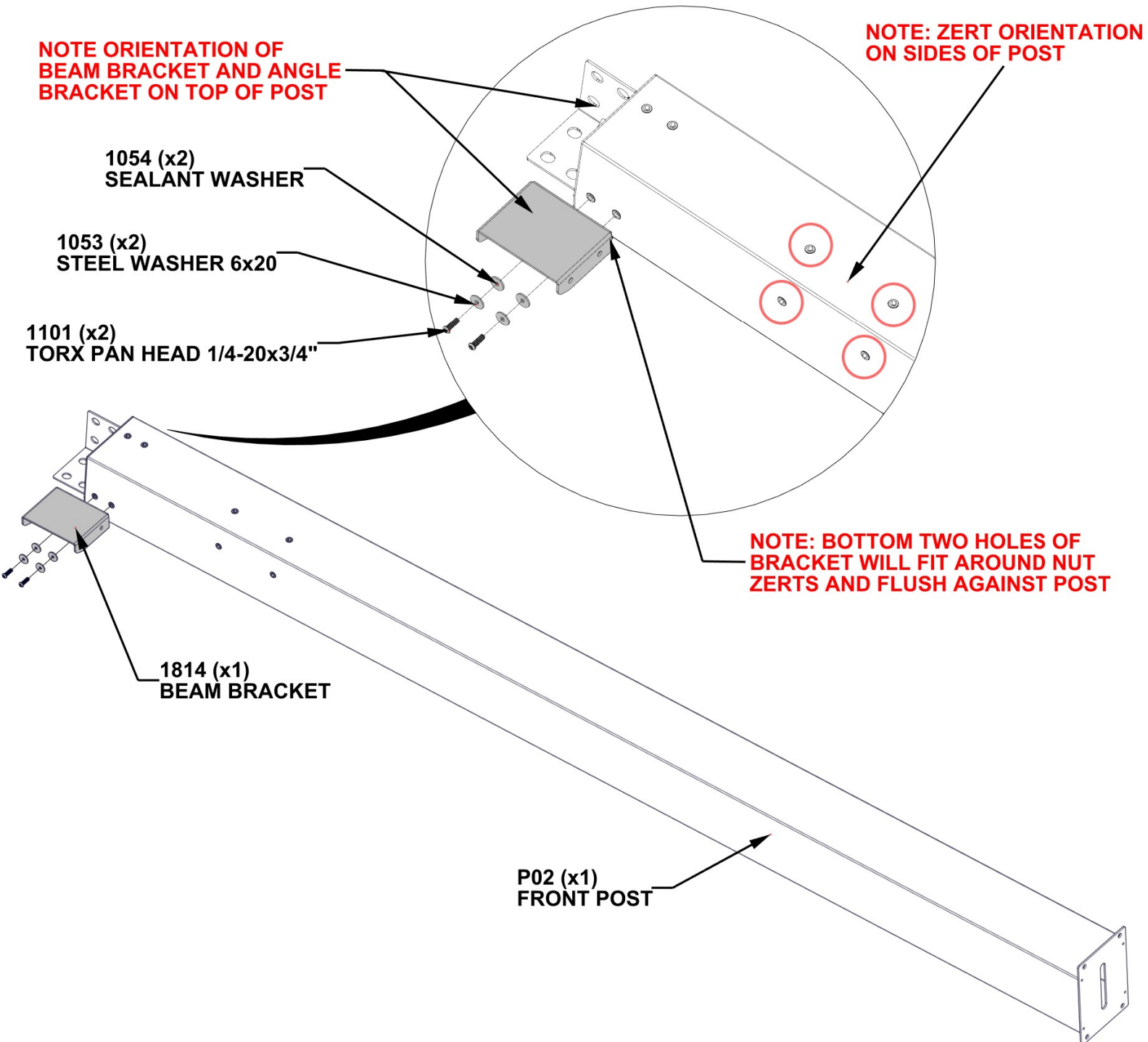
QTY	PART NUMBER	DESCRIPTION
2	H101054	SEALANT WASHER
2	H101053	STEEL WASHER 6x20
2	H101101	TORX PAN HEAD 1/4-20x3/4"



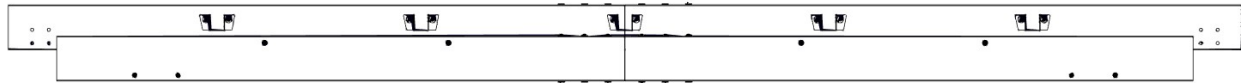
P02 FRONT POST - A4M01809
(x1) 5 1/2"x8"x97" (140x202x2462)



A4M01814 BEAM BRACKET
(x1)

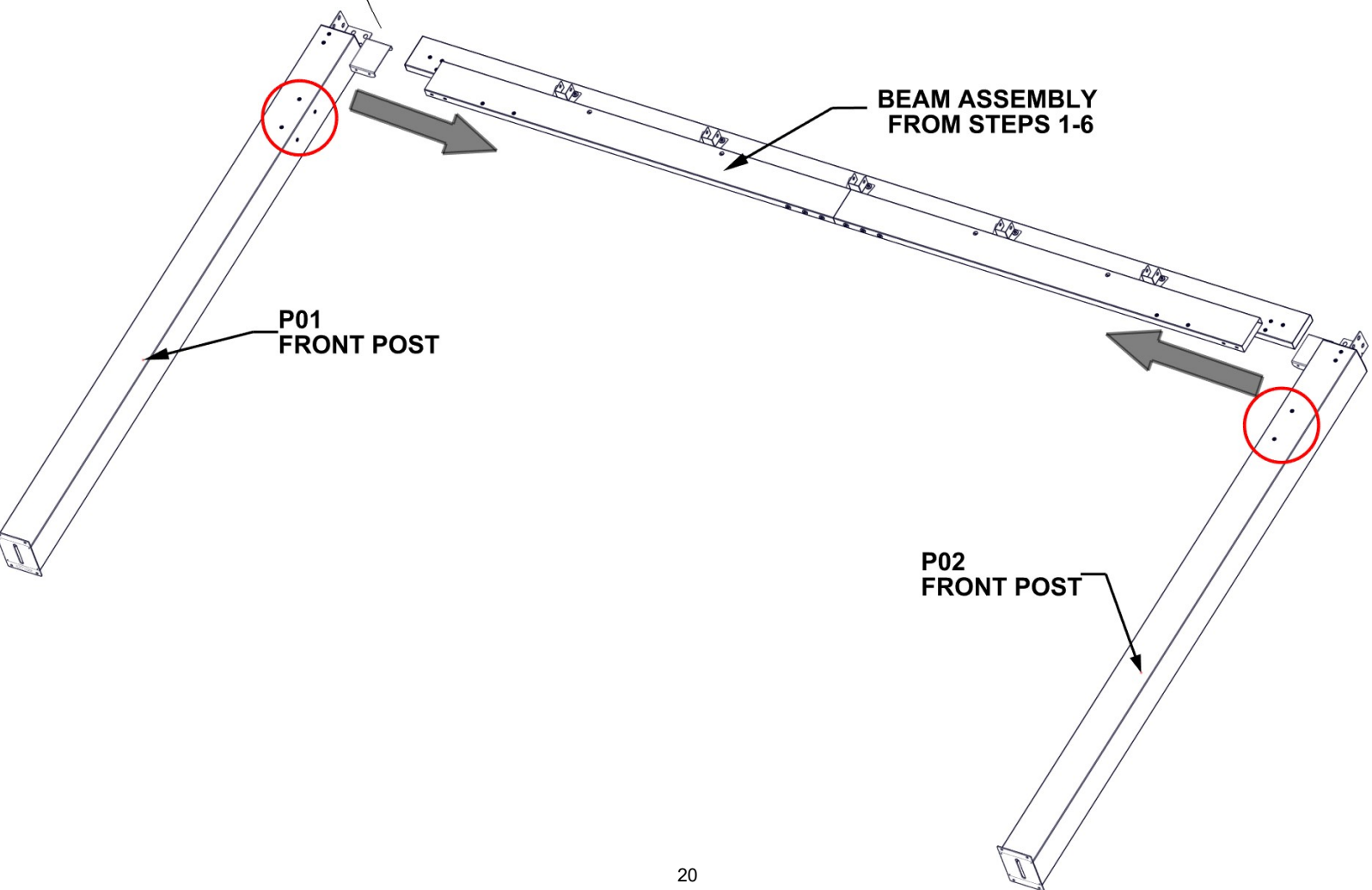
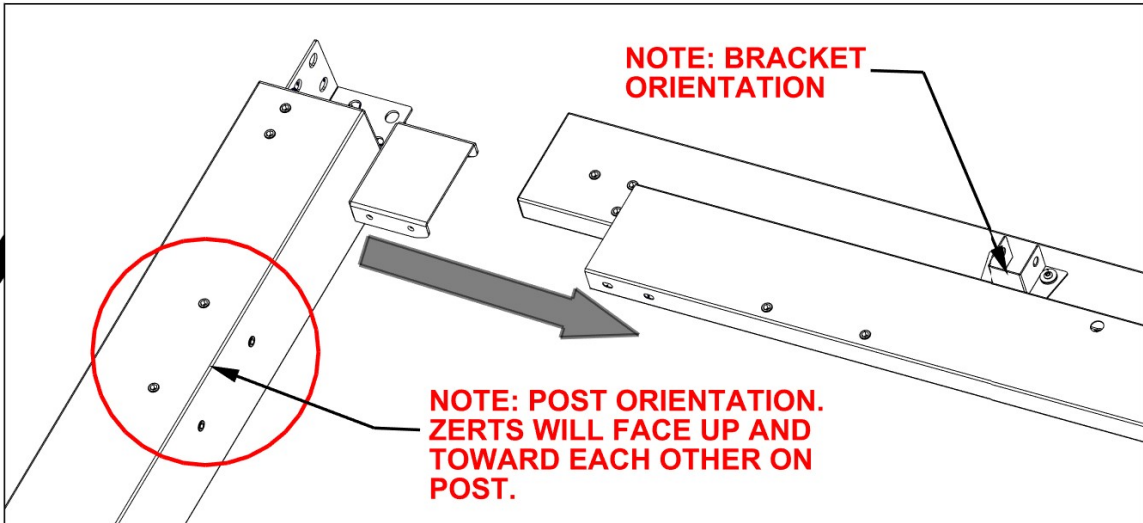


STEP 9A - GAZEBO ASSEMBLY



BEAM ASSEMBLY FROM STEPS 1-6

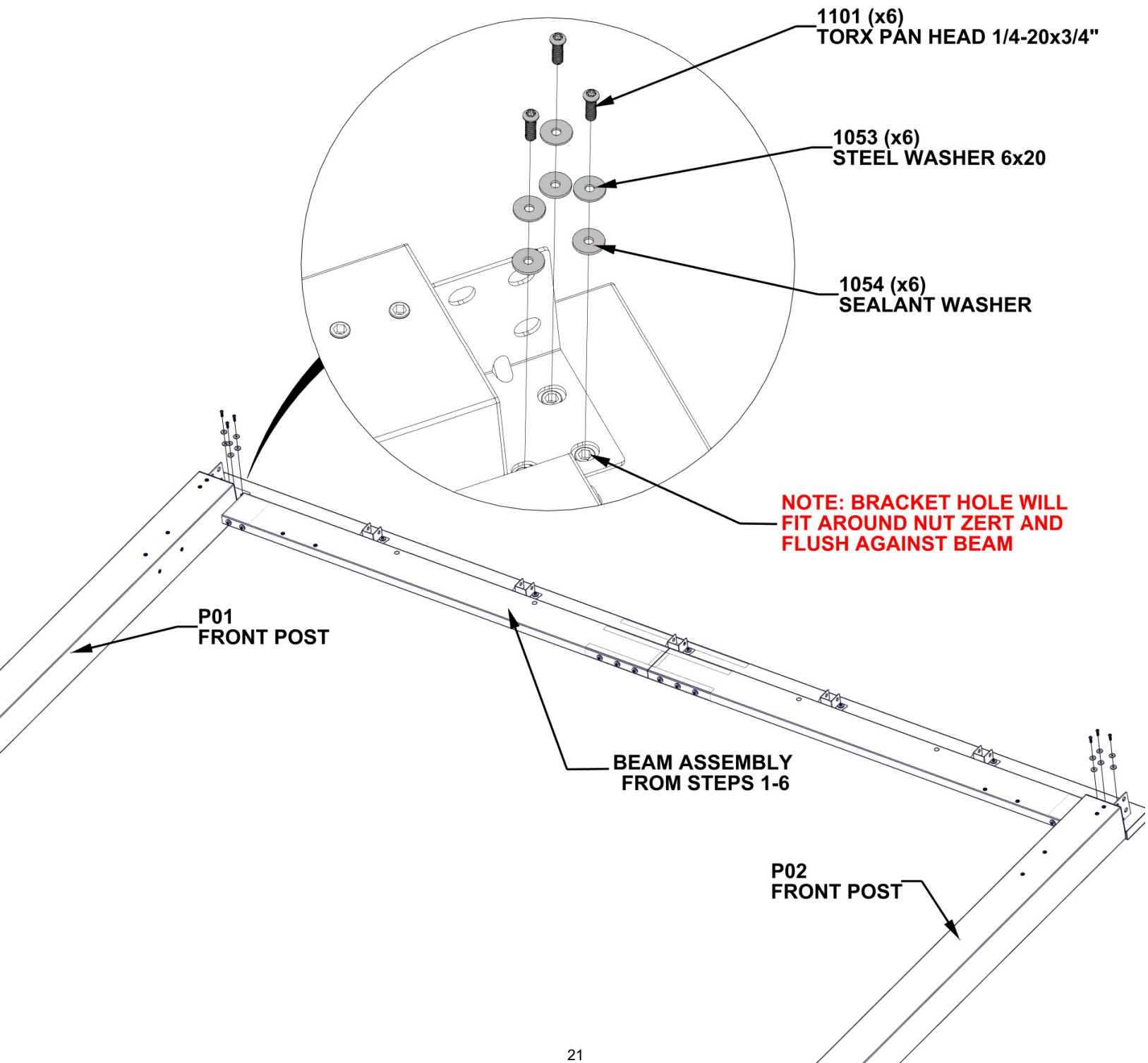
SLIDE EACH POST ASSEMBLY INTO THE BEAM ASSEMBLY FROM STEPS 1-6



STEP 9B - GAZEBO ASSEMBLY

QTY	PART NUMBER	DESCRIPTION
6	H101054	SEALANT WASHER
6	H101053	STEEL WASHER 6x20
6	H101101	TORX PAN HEAD 1/4-20x3/4"

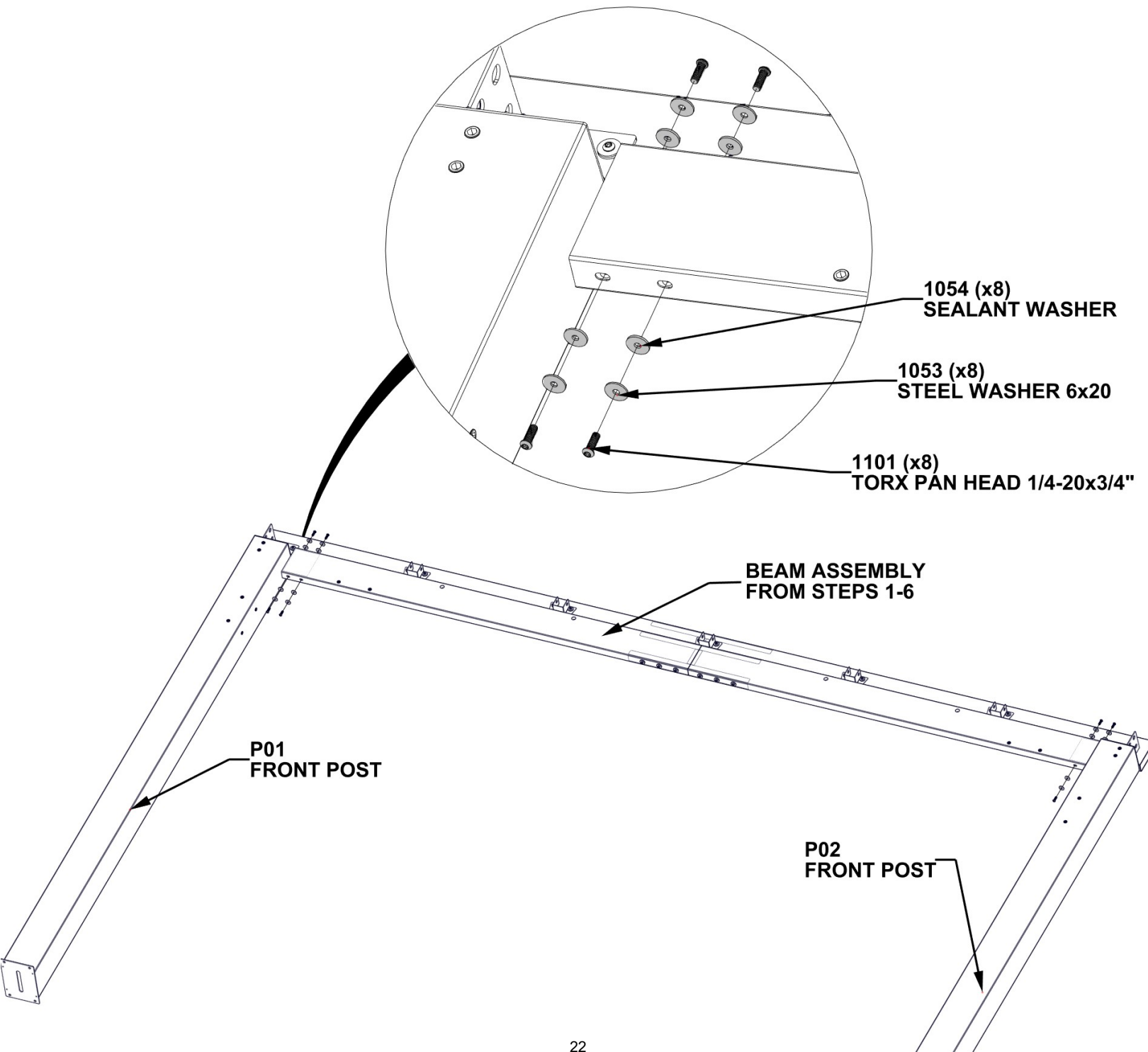
DO NOT FULLY TIGHTEN BOLTS AT THIS STEP.



STEP 9C - GAZEBO ASSEMBLY

QTY	PART NUMBER	DESCRIPTION
8	H101054	SEALANT WASHER
8	H101053	STEEL WASHER 6x20
8	H101101	TORX PAN HEAD 1/4-20x3/4"

DO NOT FULLY TIGHTEN BOLTS AT THIS STEP.



STEP 10 - GAZEBO ASSEMBLY

QTY	PART NUMBER	DESCRIPTION
8	H101054	SEALANT WASHER
8	H101053	STEEL WASHER 6x20
8	H101101	TORX PAN HEAD 1/4-20x3/4"

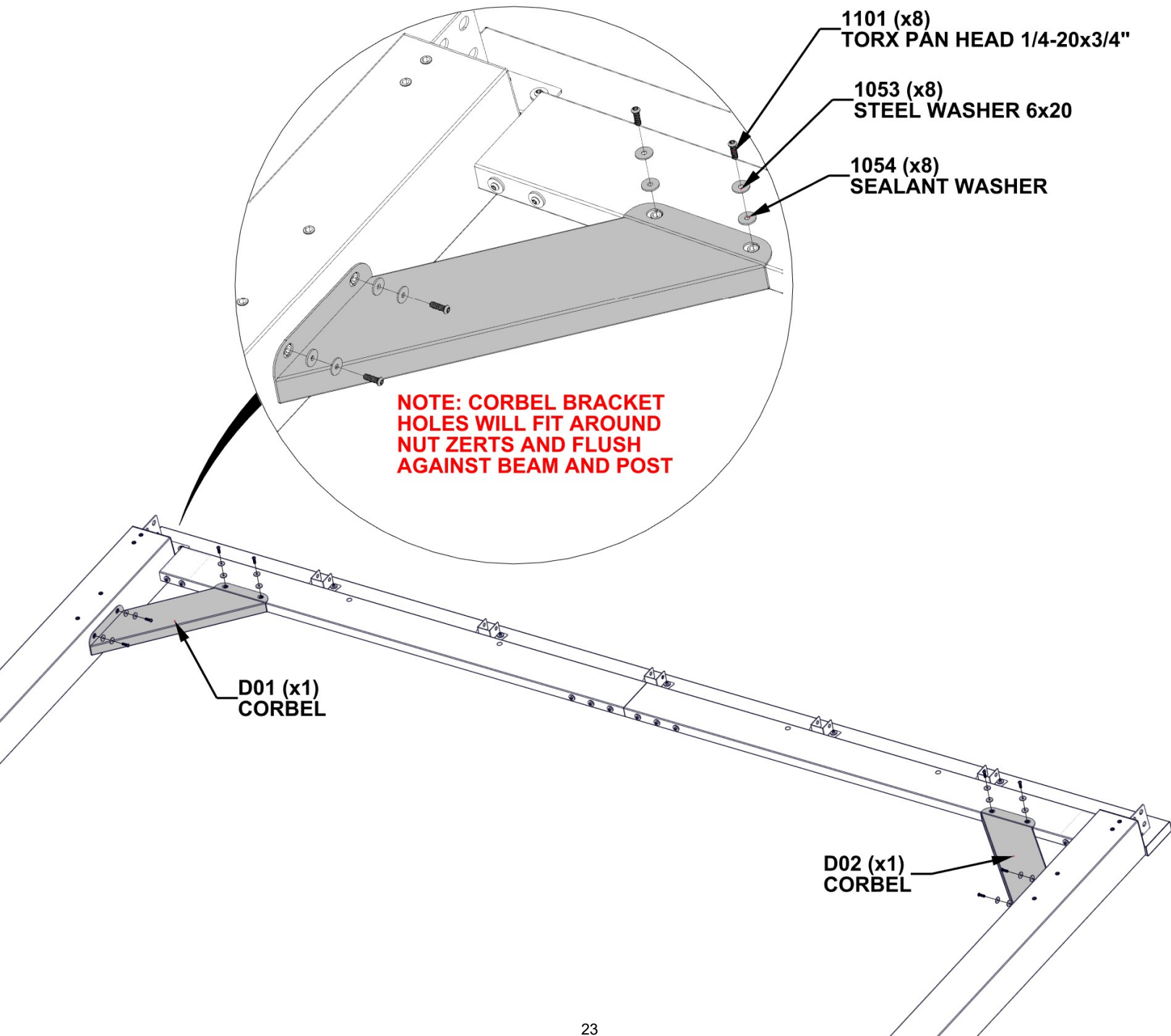


D01 CORBEL - A4M01817
(x1) 2 3/4"x5 13/16"x22 1/4" (70x147x565)



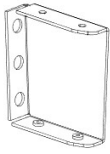
D02 CORBEL - A4M01818
(x1) 2 3/4"x5 13/16"x22 1/4" (70x147x565)

**ATTACH CORBELS TO BEAM AND POST.
SQUARE AS NEEDED BEFORE TIGHTENING
ALL HARDWARE FROM PREVIOUS STEPS.**

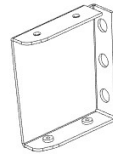


STEP 11 - GAZEBO ASSEMBLY

QTY	PART NUMBER	DESCRIPTION
4	H101054	SEALANT WASHER
4	H101053	STEEL WASHER 6x20
4	H101101	TORX PAN HEAD 1/4-20x3/4"

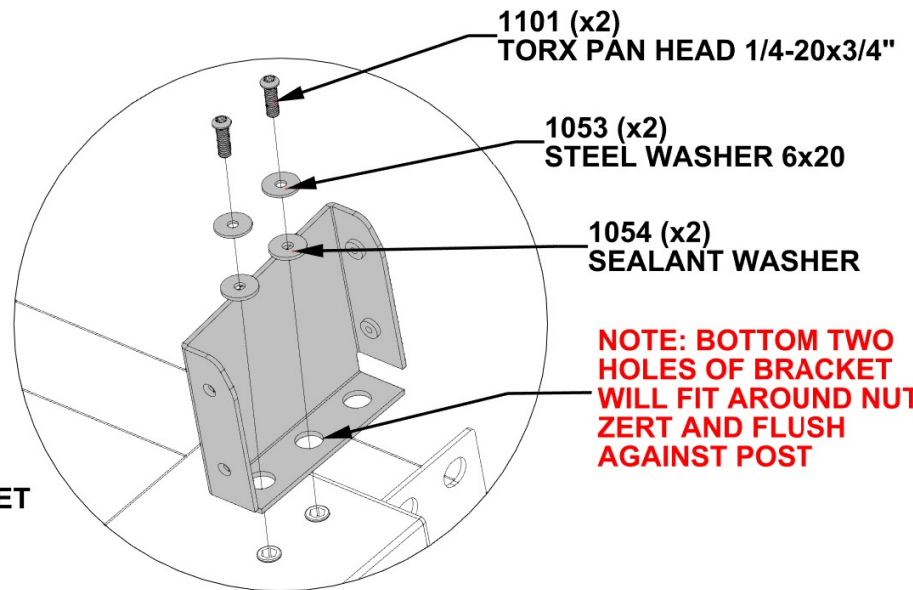
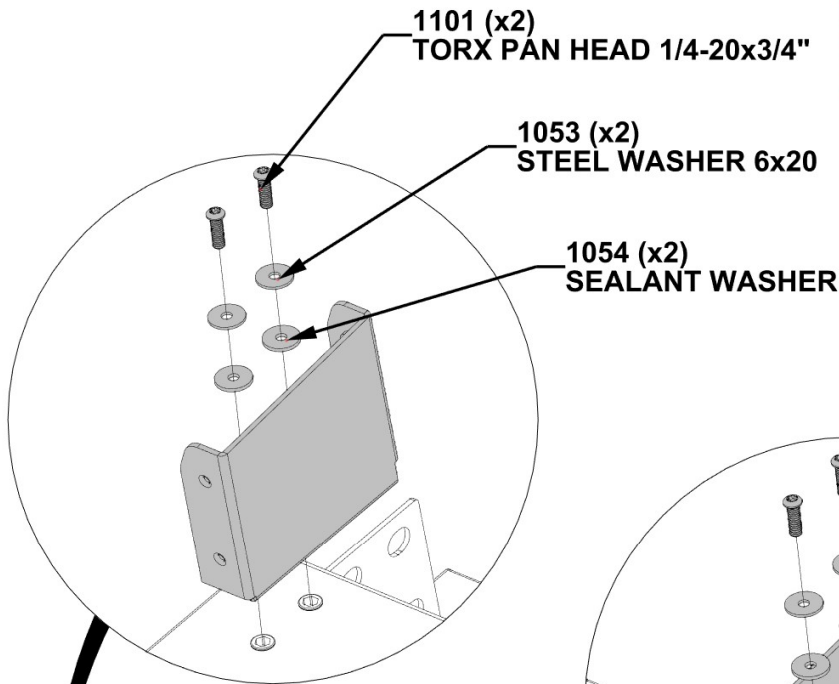


A4M01820 ANGLED BEAM BRACKET
(x1)

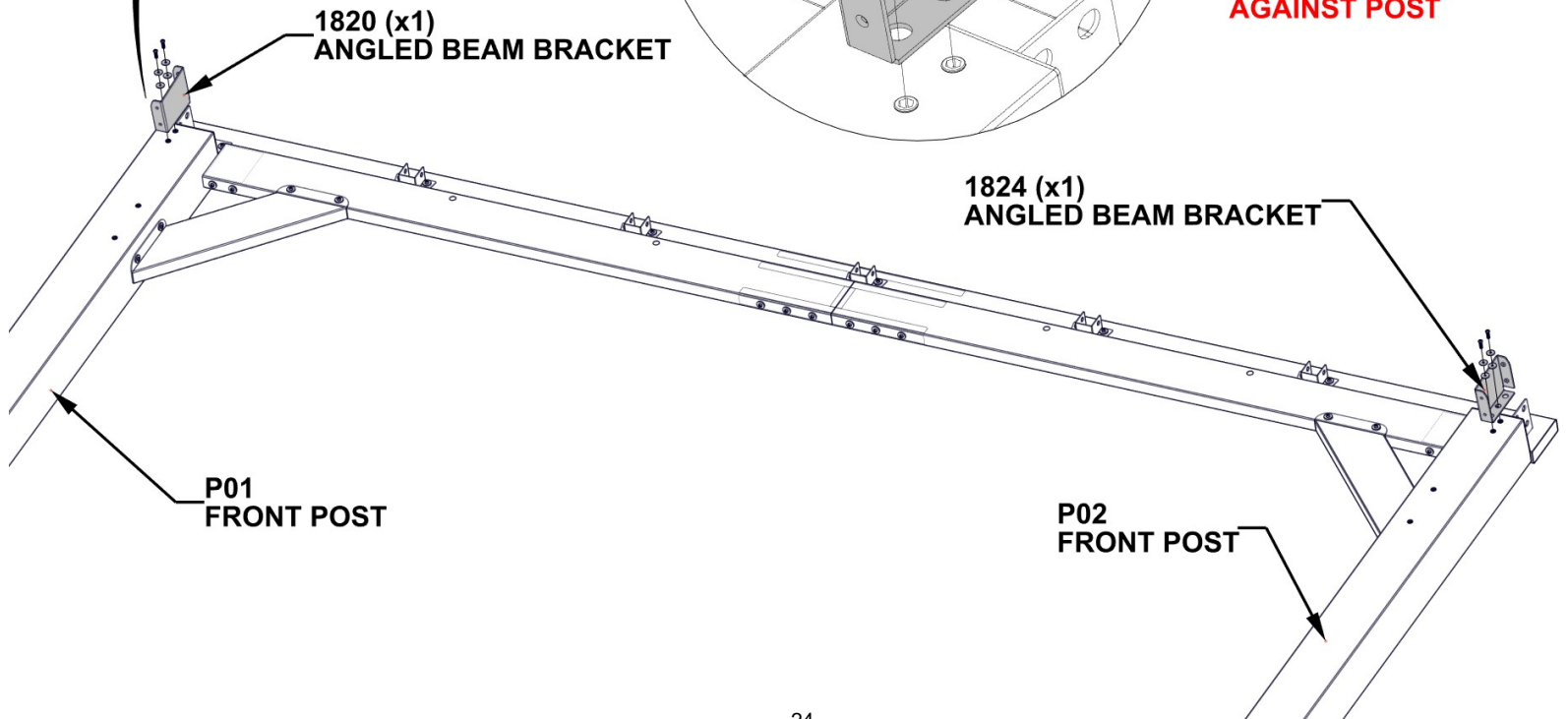


A4M01824 ANGLED BEAM BRACKET
(x1)

ATTACH ANGLED BEAM BRACKETS IN THE EXACT ORIENTATION SHOWN BELOW. BRACKET 1820 WILL ATTACH TO P01 POST AND BRACKET 1824 WILL ATTACH TO P02 POST.



NOTE: BOTTOM TWO HOLES OF BRACKET WILL FIT AROUND NUT ZERT AND FLUSH AGAINST POST



STEP 12 - POST ASSEMBLY

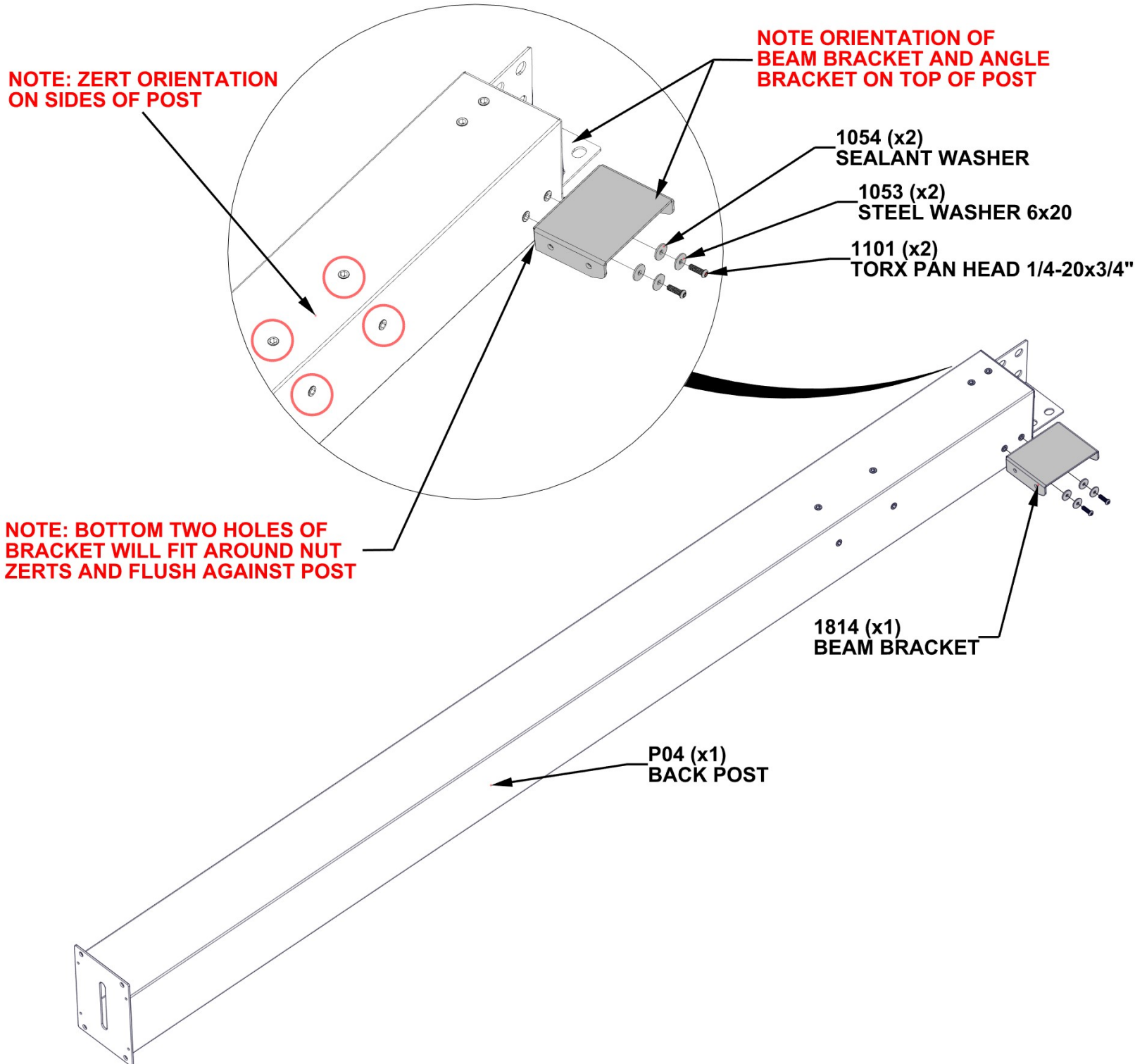
QTY	PART NUMBER	DESCRIPTION
2	H101054	SEALANT WASHER
2	H101053	STEEL WASHER 6x20
2	H101101	TORX PAN HEAD 1/4-20x3/4"



P04 BACK POST - A4M01811
(x1) 5 1/2"x8"x87 5/8" (140x202x2225)



A4M01814 BEAM BRACKET
(x1)

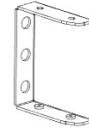


STEP 13 - POST ASSEMBLY

QTY	PART NUMBER	DESCRIPTION
2	H101053	STEEL WASHER 6x20
2	H101054	SEALANT WASHER
2	H101101	TORX PAN HEAD 1/4-20x3/4"



P03 BACK POST - A4M01810
(x1) 5 1/2"x8"x87 5/8" (140x202x2225)



A4M01814 BEAM BRACKET
(x1)

NOTE ORIENTATION OF BEAM BRACKET AND ANGLE BRACKET ON TOP OF POST

NOTE: ZERT ORIENTATION ON SIDES OF POST

1054 (x2)
SEALANT WASHER

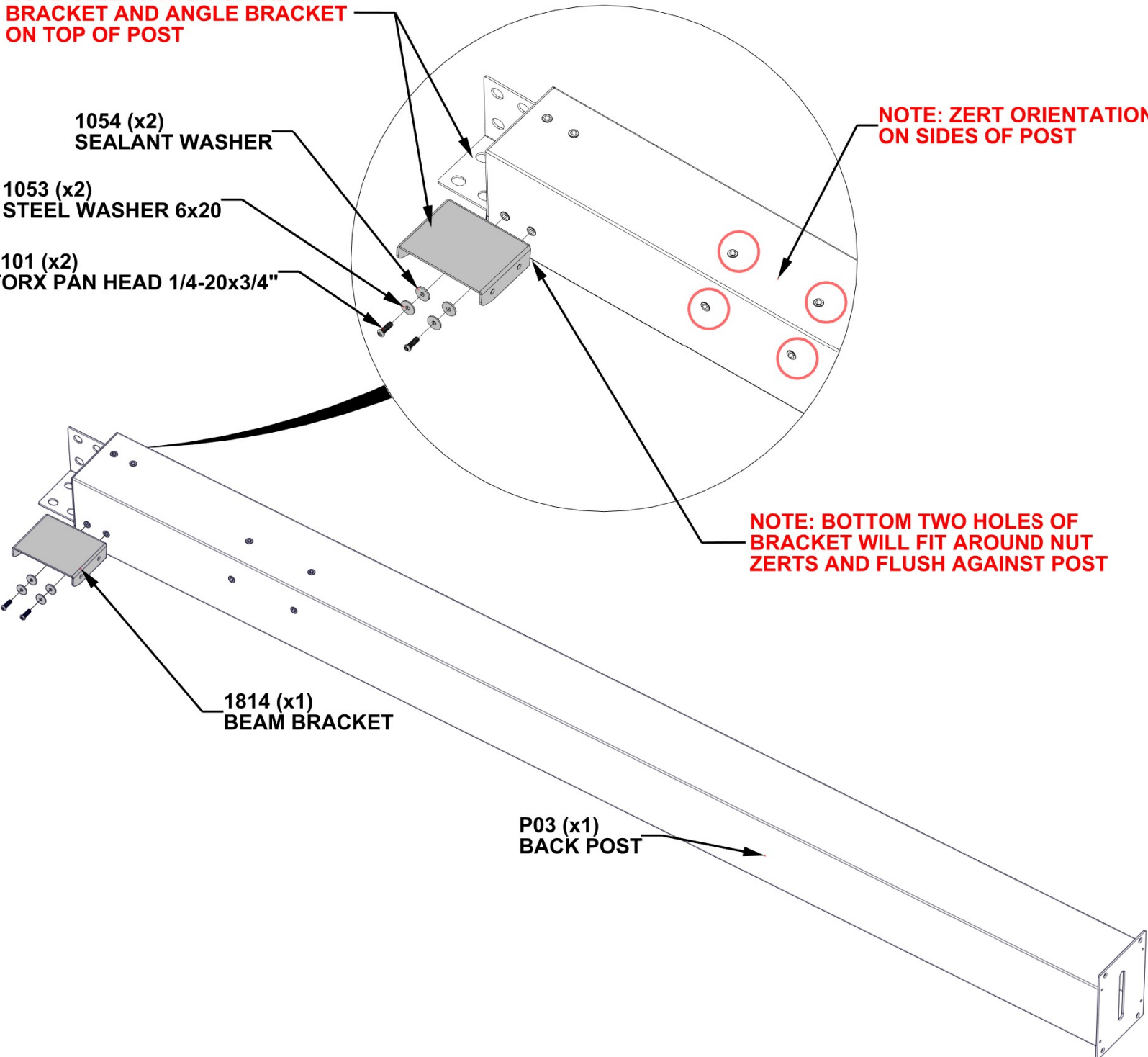
1053 (x2)
STEEL WASHER 6x20

1101 (x2)
TORX PAN HEAD 1/4-20x3/4"

NOTE: BOTTOM TWO HOLES OF BRACKET WILL FIT AROUND NUT ZERTS AND FLUSH AGAINST POST

1814 (x1)
BEAM BRACKET

P03 (x1)
BACK POST

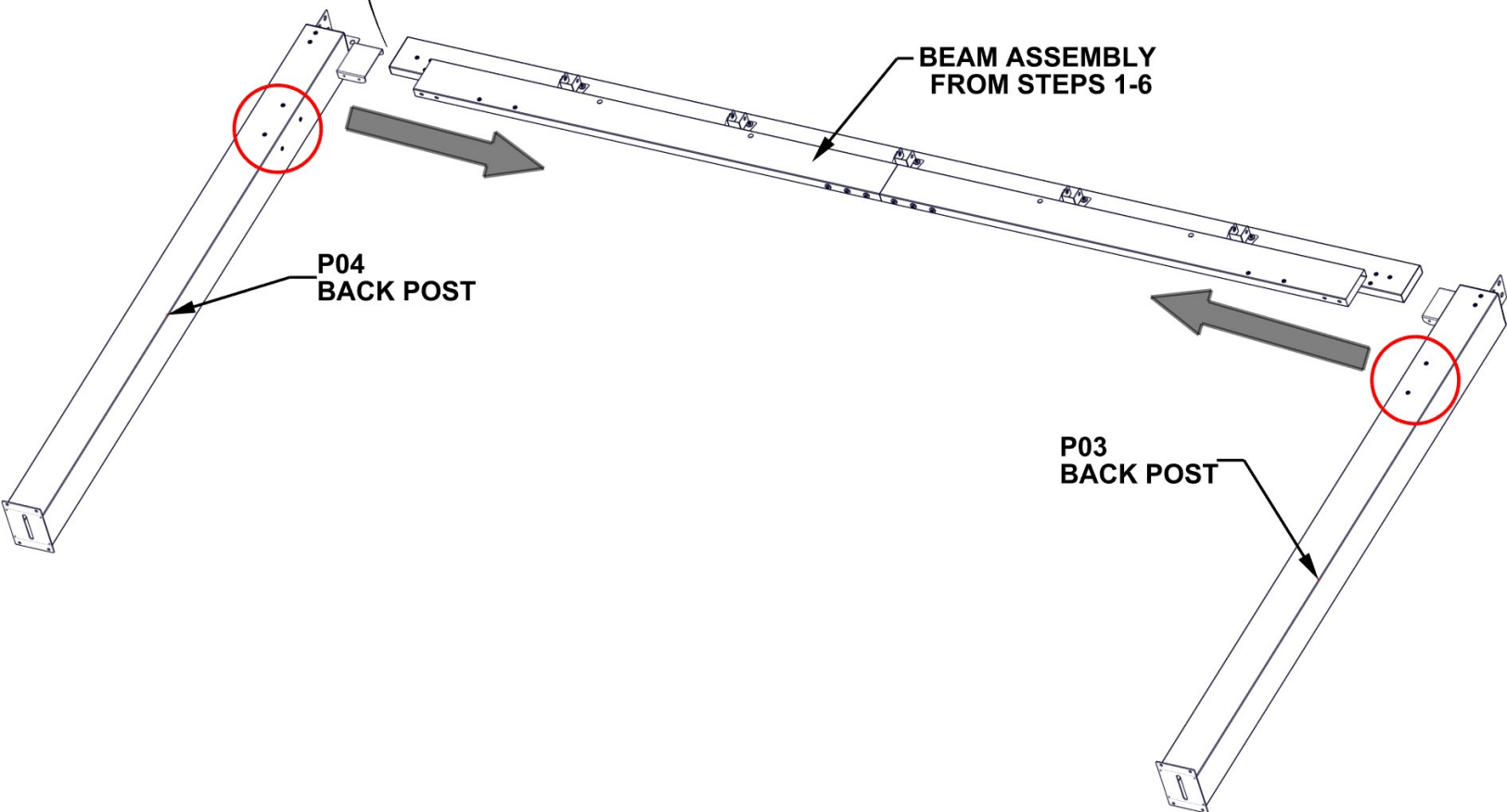
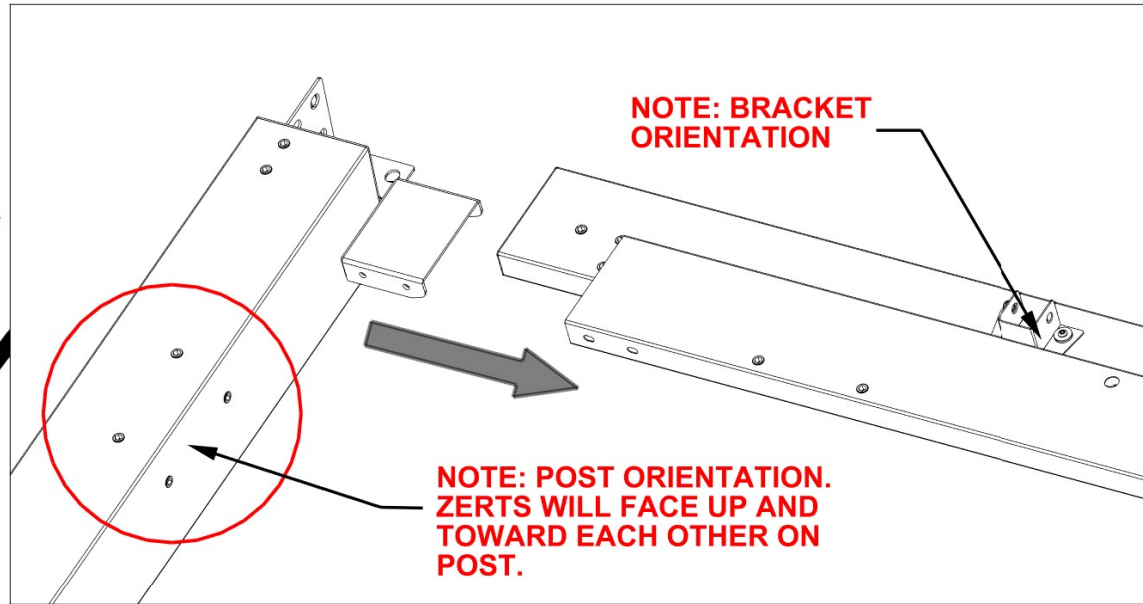


STEP 14A - GAZEBO ASSEMBLY



BEAM ASSEMBLY FROM STEPS 1-6

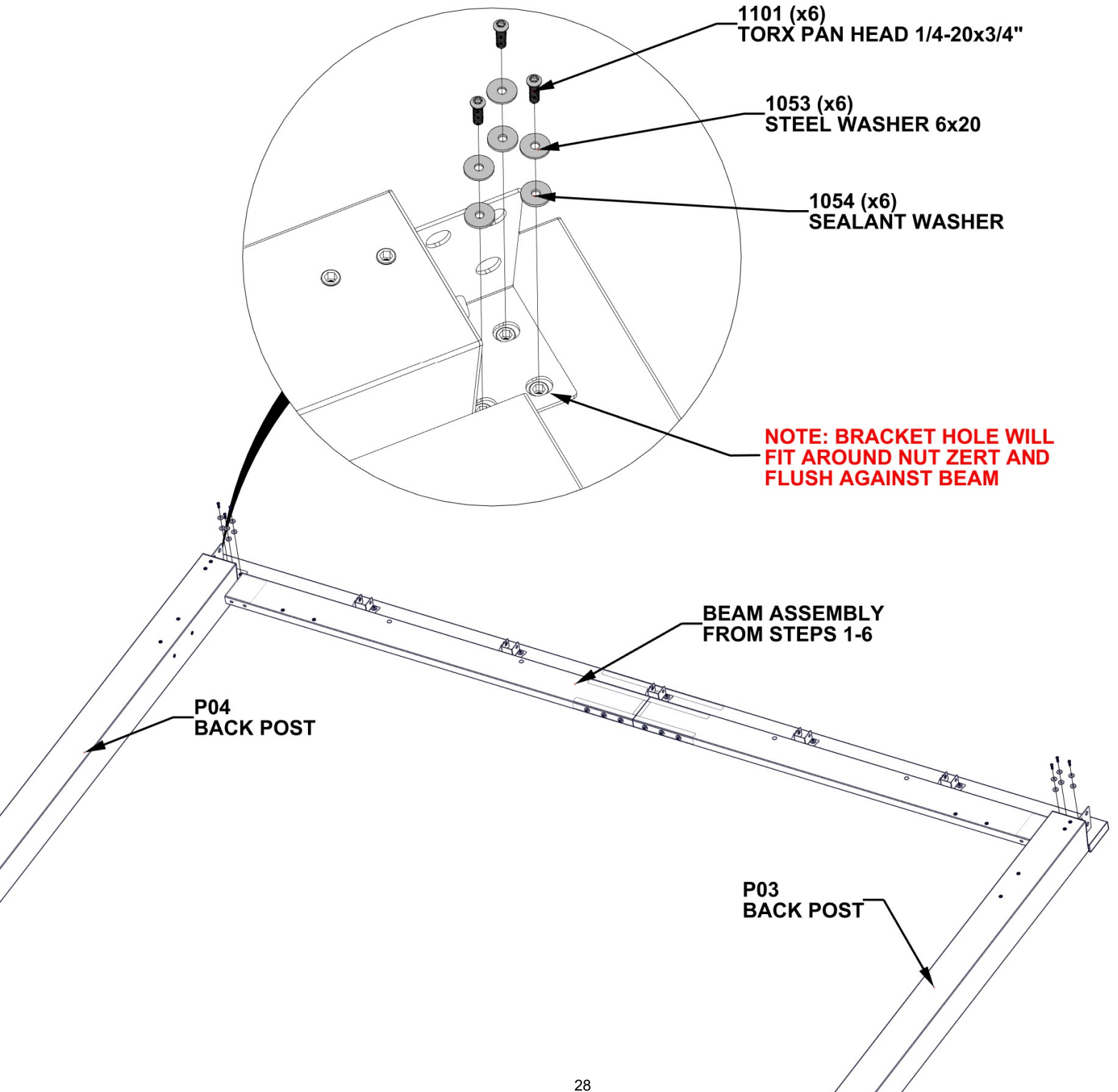
SLIDE EACH POST ASSEMBLY INTO THE BEAM ASSEMBLY FROM STEPS 1-6



STEP 14B - GAZEBO ASSEMBLY

QTY	PART NUMBER	DESCRIPTION
6	H101054	SEALANT WASHER
6	H101053	STEEL WASHER 6x20
6	H101101	TORX PAN HEAD 1/4-20x3/4"

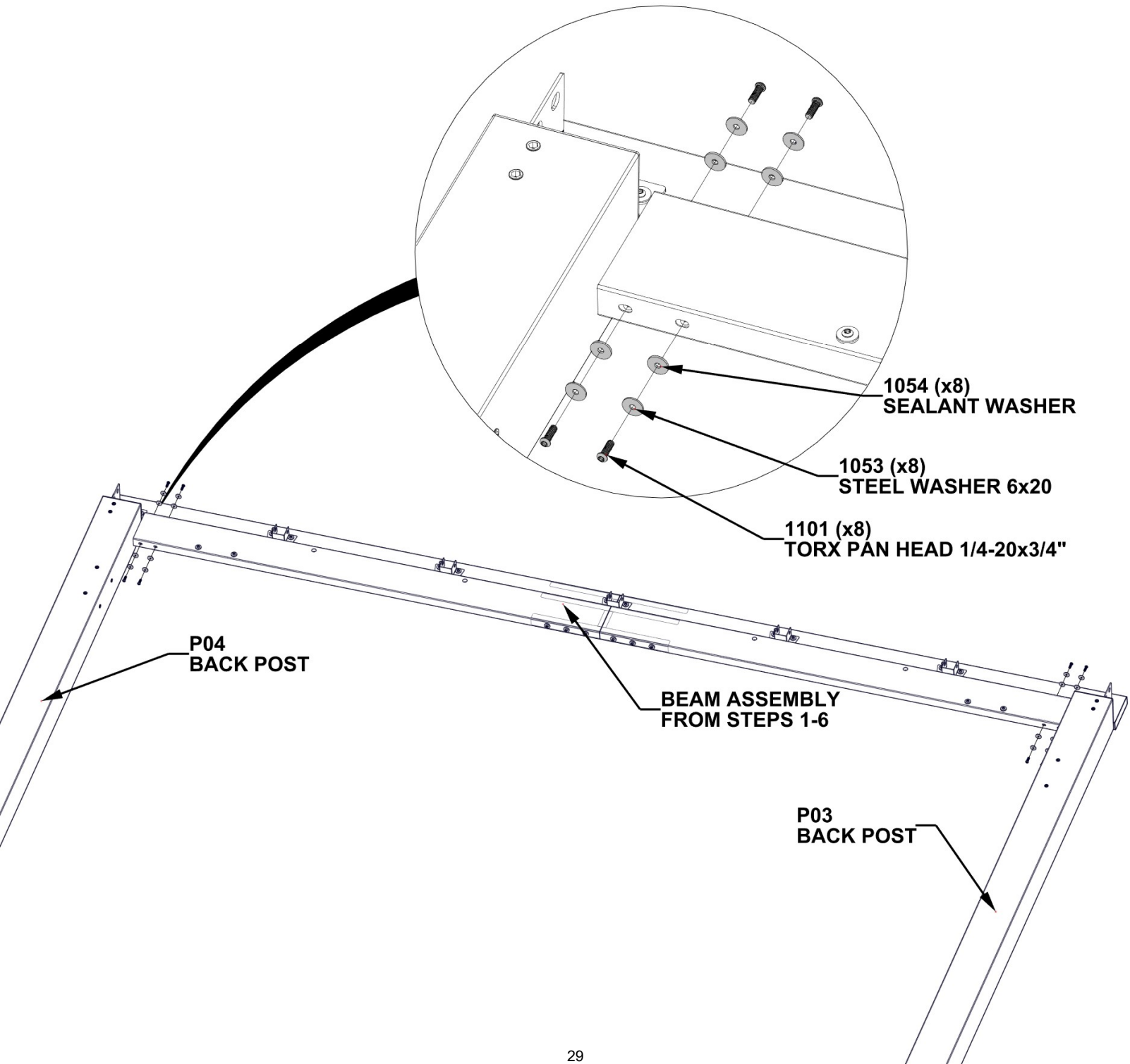
DO NOT FULLY TIGHTEN BOLTS AT THIS STEP.



STEP 14C - GAZEBO ASSEMBLY

QTY	PART NUMBER	DESCRIPTION
8	H101054	SEALANT WASHER
8	H101053	STEEL WASHER 6x20
8	H101101	TORX PAN HEAD 1/4-20x3/4"

DO NOT FULLY TIGHTEN BOLTS AT THIS STEP.



STEP 15 - GAZEBO ASSEMBLY

QTY	PART NUMBER	DESCRIPTION
8	H101054	SEALANT WASHER
8	H101053	STEEL WASHER 6x20
8	H101101	TORX PAN HEAD 1/4-20x3/4"

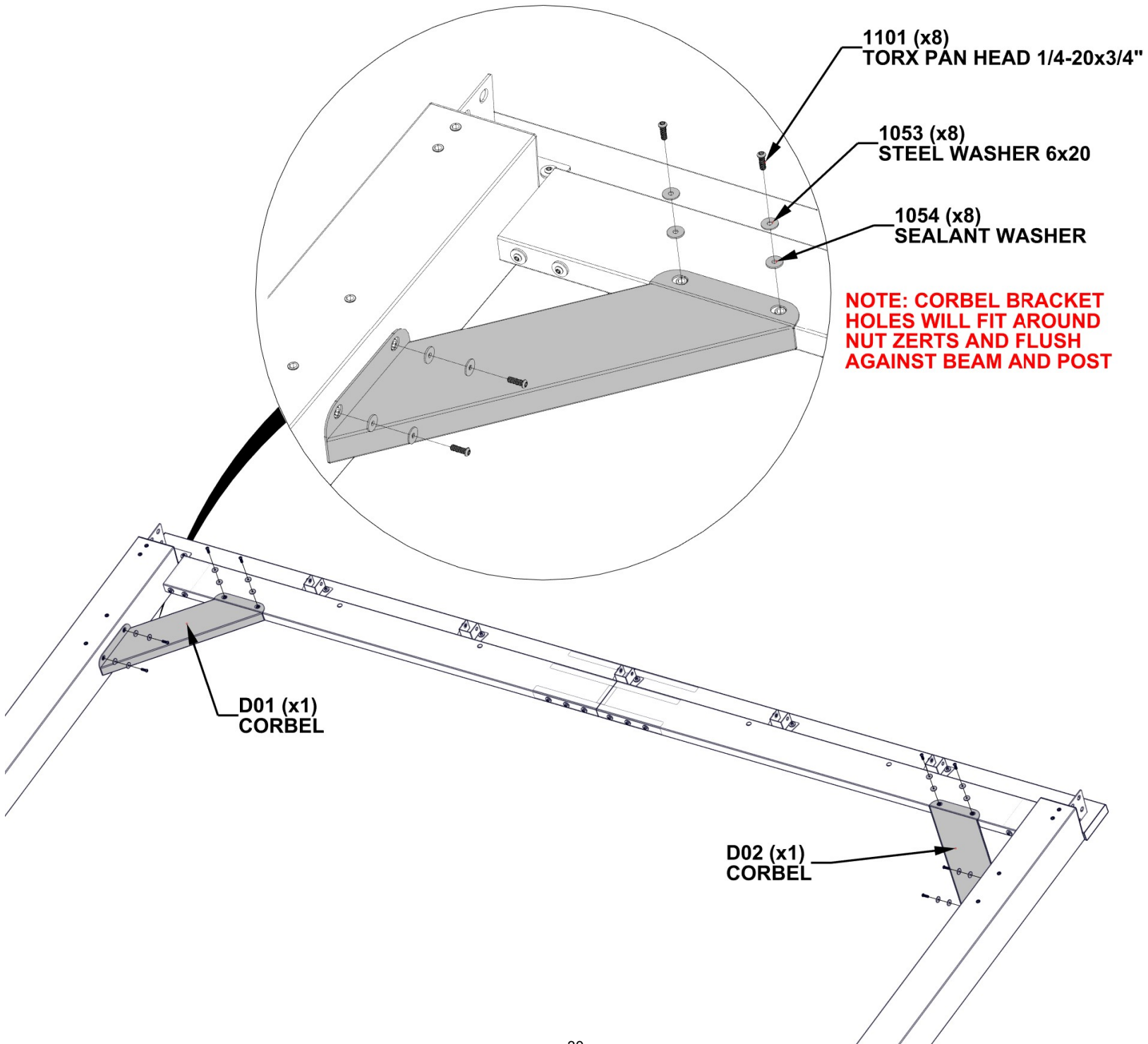


D01 CORBEL - A4M01817
(x1) 2 3/4"x5 13/16"x22 1/4" (70x147x565)



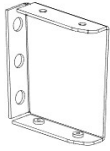
D02 CORBEL - A4M01818
(x1) 2 3/4"x5 13/16"x22 1/4" (70x147x565)

**ATTACH CORBELS TO BEAM AND POST.
SQUARE AS NEEDED BEFORE TIGHTENING
ALL HARDWARE FROM PREVIOUS STEPS.**

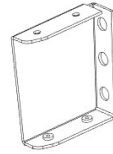


STEP 16 - GAZEBO ASSEMBLY

QTY	PART NUMBER	DESCRIPTION
4	H101054	SEALANT WASHER
4	H101053	STEEL WASHER 6x20
4	H101101	TORX PAN HEAD 1/4-20x3/4"

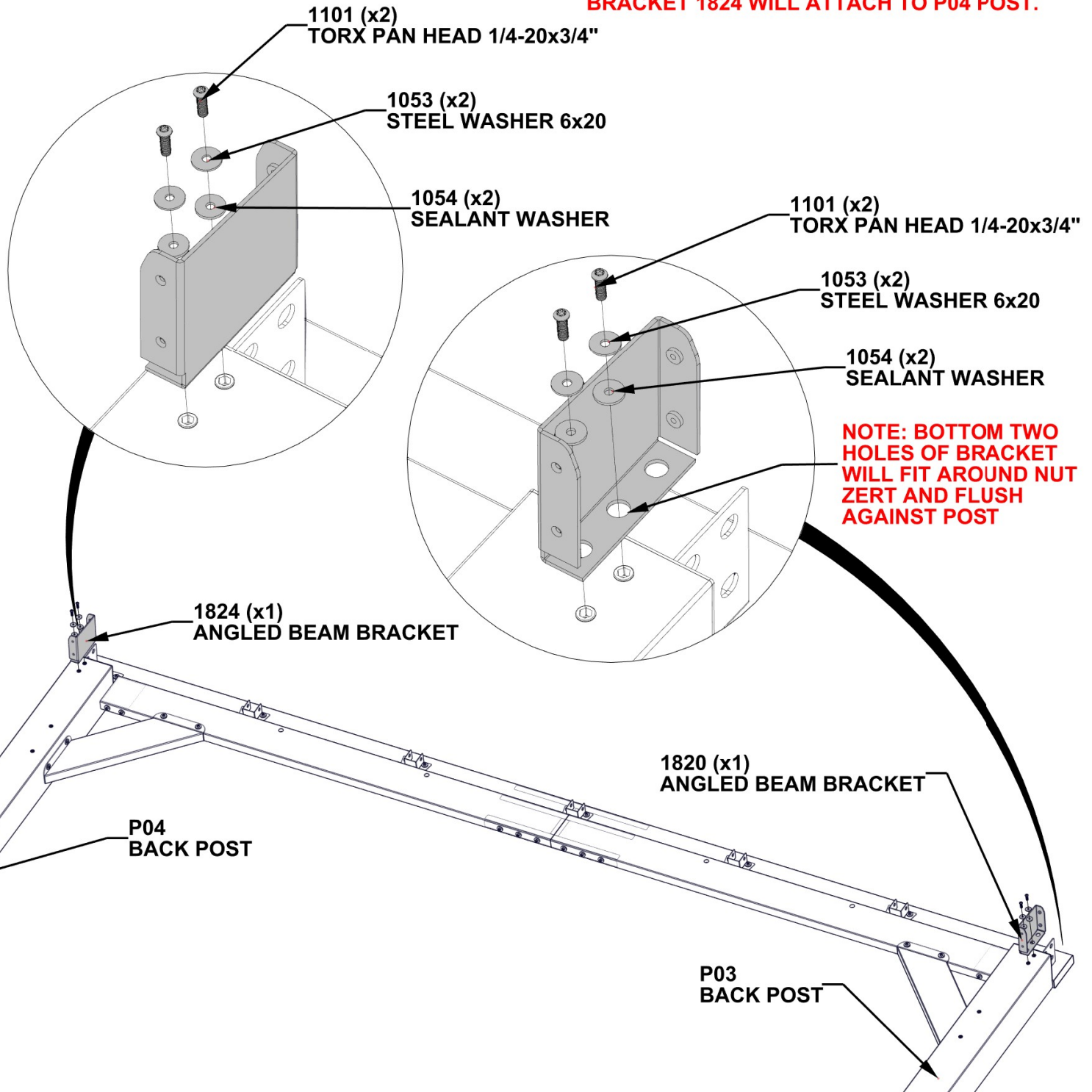


A4M01820 ANGLED BEAM BRACKET
(x1)



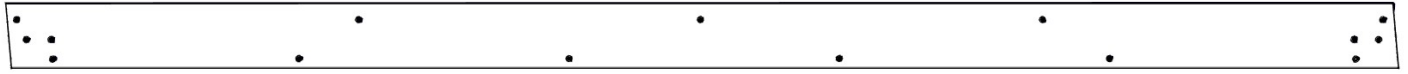
A4M01824 ANGLED BEAM BRACKET
(x1)

ATTACH ANGLED BEAM BRACKETS IN THE EXACT ORIENTATION SHOWN BELOW. BRACKET 1820 WILL ATTACH TO P03 POST AND BRACKET 1824 WILL ATTACH TO P04 POST.



STEP 17 -SIDE BEAM ASSEMBLY

QTY	PART NUMBER	DESCRIPTION
4	H101103	TORX SOCKET SCREW 1/4-20

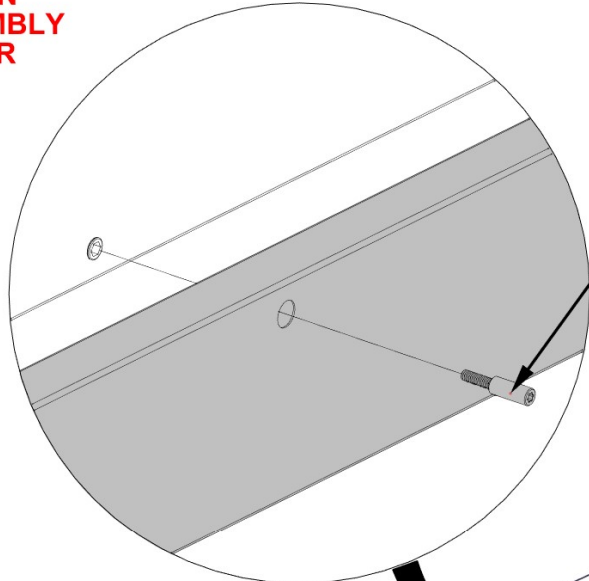


B07 SIDE BEAM - A4M01827
(x1) 1 3/8"x5 1/4"x111 3/4" (36x134x2839)



B08 SIDE BEAM - A4M01828
(x1) 1 3/8"x5 1/4"x103 1/8" (36x134x2618)

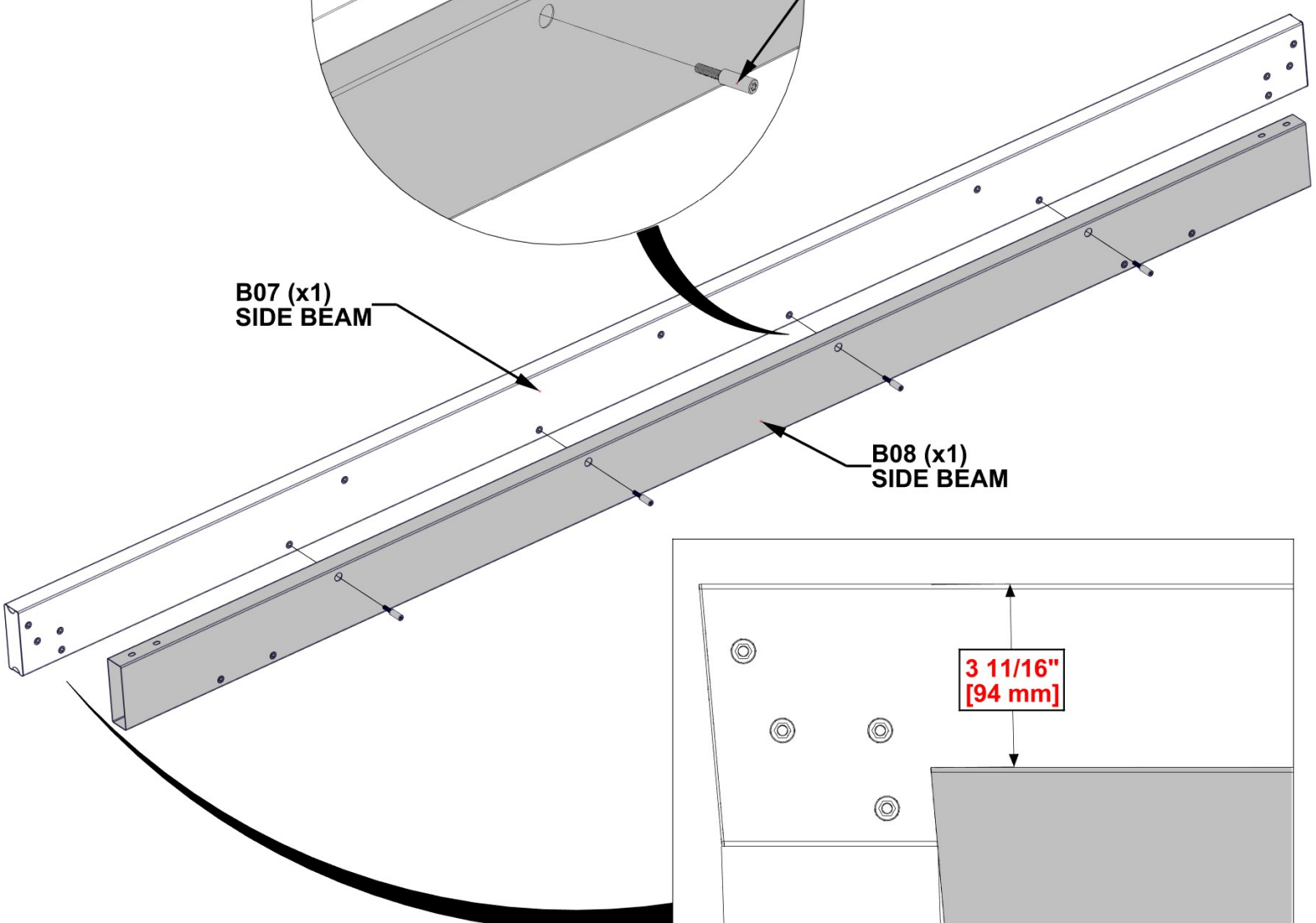
ALIGN THRU HOLES IN LOWER BEAM ASSEMBLY WITH ZERTS IN UPPER BEAM ASSEMBLY.



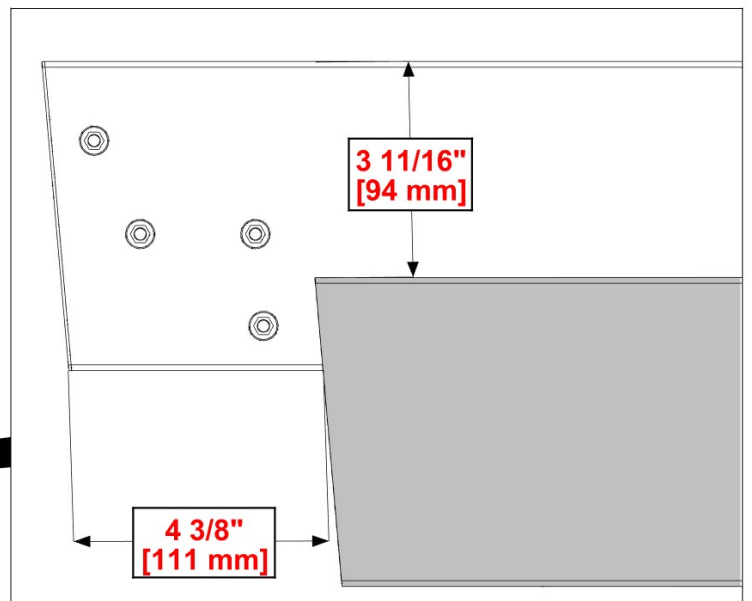
1103 (x4)
TORX SOCKET SCREW 1/4-20

B07 (x1)
SIDE BEAM

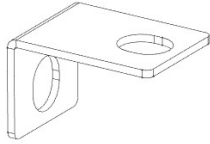
B08 (x1)
SIDE BEAM



DIMENSIONS ARE THE SAME AT BOTH ENDS AND CRITICAL TO THE BEAM ASSEMBLY



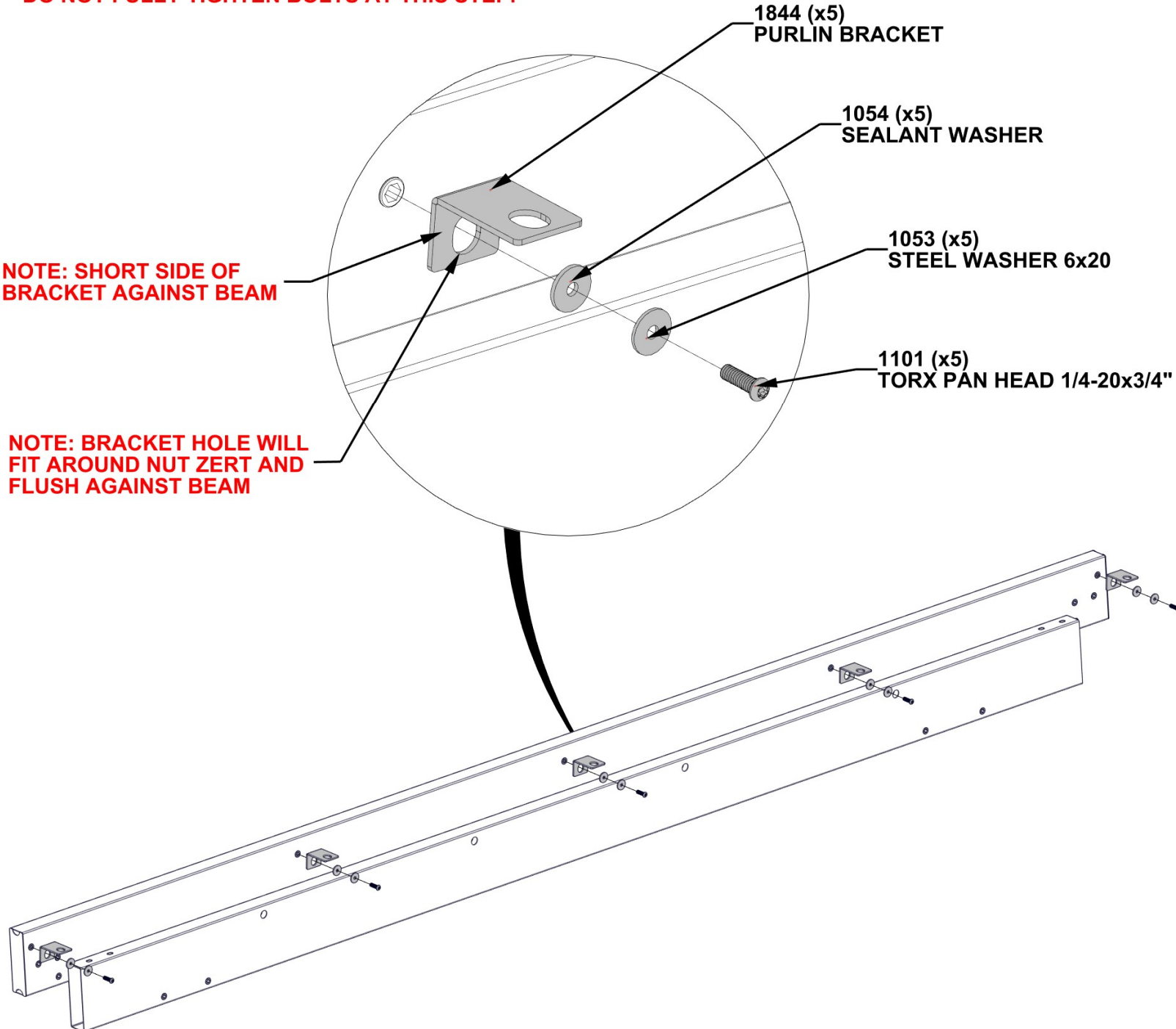
STEP 18 - SIDE BEAM ASSEMBLY



A4M01844 PURLIN BRACKET
(x5)

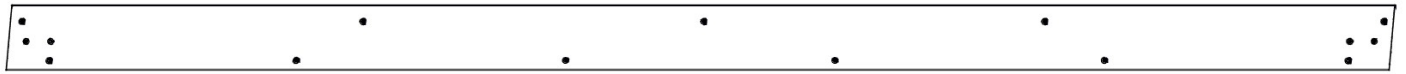
QTY	PART NUMBER	DESCRIPTION
5	H101053	STEEL WASHER 6x20
5	H101101	TORX PAN HEAD 1/4-20x3/4"
5	H101054	SEALANT WASHER

DO NOT FULLY TIGHTEN BOLTS AT THIS STEP.

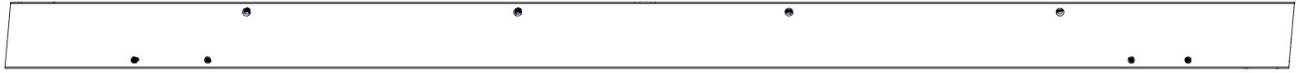


STEP 19 - SIDE BEAM ASSEMBLY

QTY	PART NUMBER	DESCRIPTION
4	H101103	TORX SOCKET SCREW 1/4-20

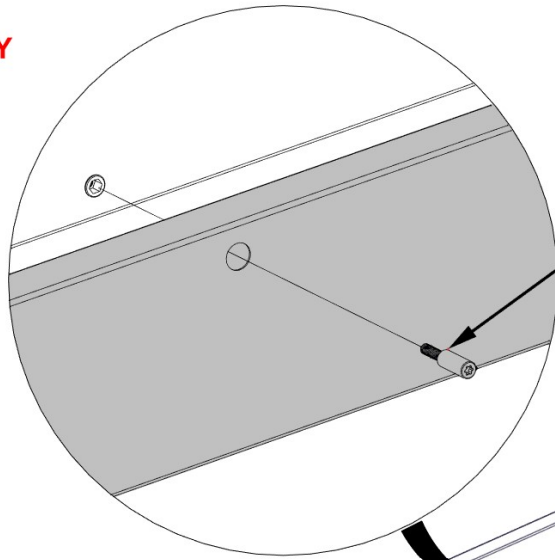


B05 SIDE BEAM - A4M01819
(x1) 1 3/8"x5 1/4"x111 3/4" (36x134x2839)



B06 SIDE BEAM - A4M01825
(x1) 1 3/8"x5 1/4"x103 1/8" (36x134x2618)

ALIGN THRU HOLES IN LOWER BEAM ASSEMBLY WITH ZERTS IN UPPER BEAM ASSEMBLY.



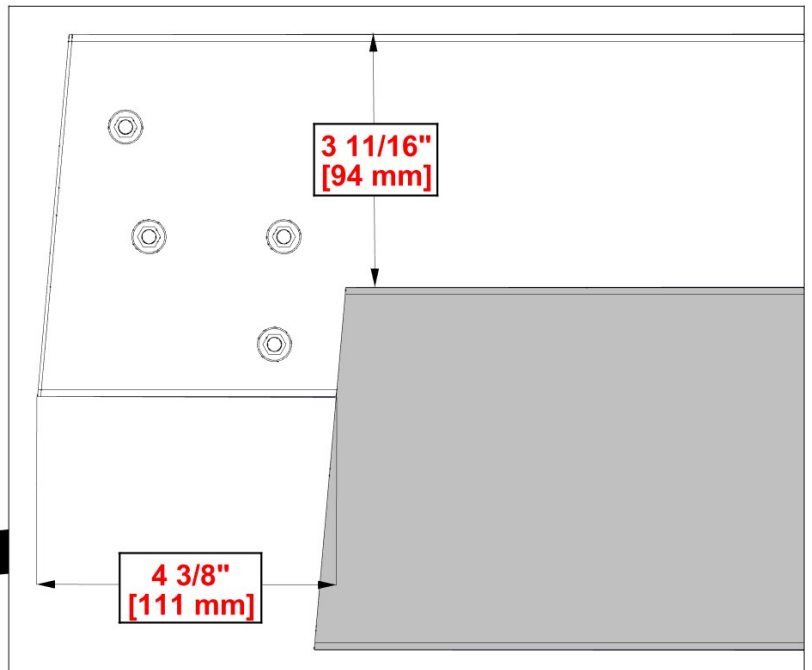
1103 (x4)
TORX SOCKET SCREW 1/4-20

B05 (x1)
SIDE BEAM

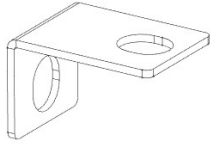
B06 (x1)
SIDE BEAM

DIMENSIONS ARE THE SAME AT BOTH ENDS AND CRITICAL TO THE BEAM ASSEMBLY

FRONT VIEW



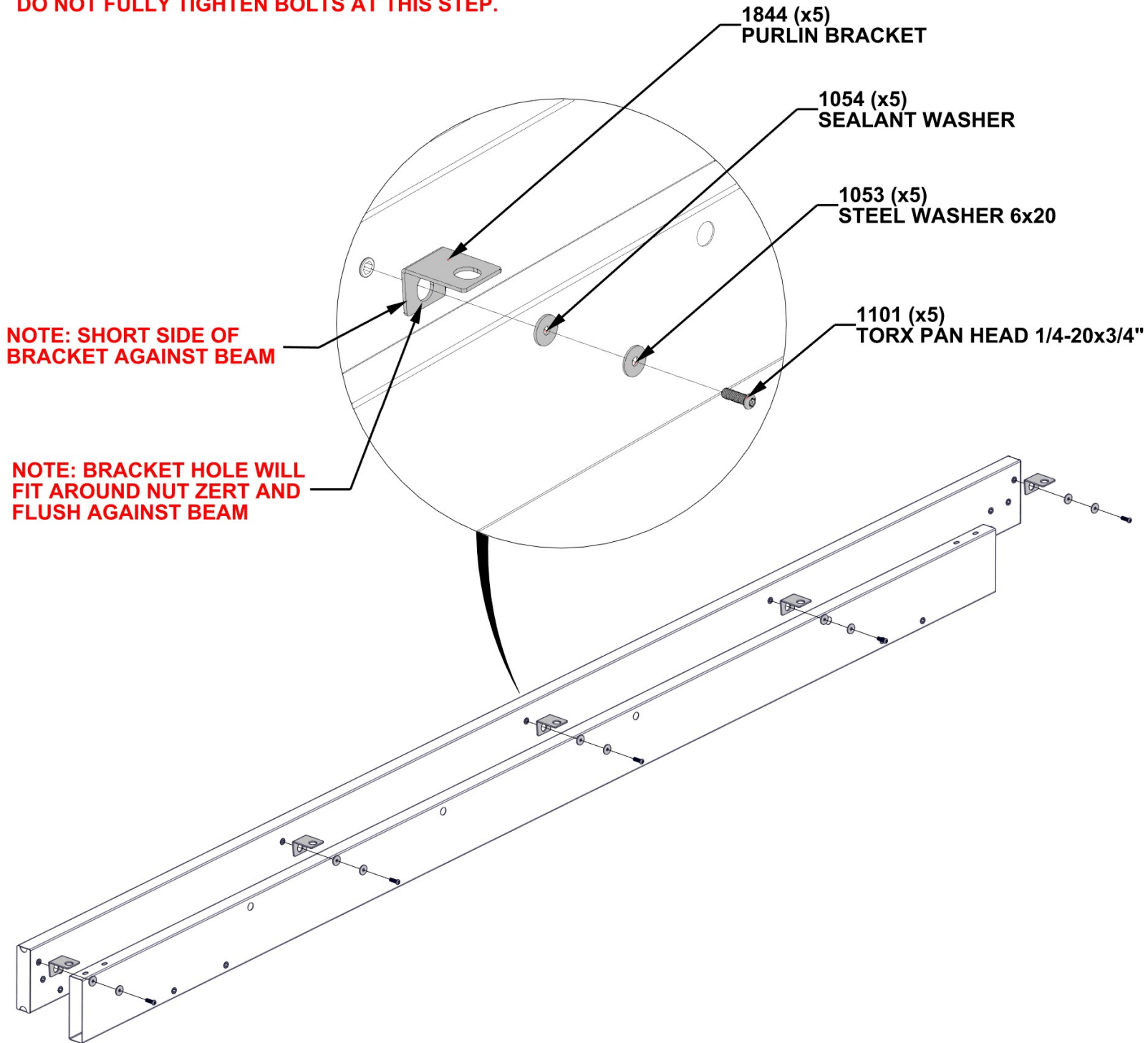
STEP 20 - SIDE BEAM ASSEMBLY



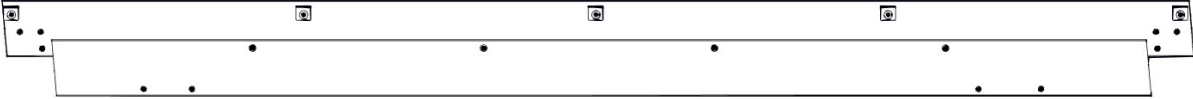
A4M01844 PURLIN BRACKET
(x5)

QTY	PART NUMBER	DESCRIPTION
5	H101054	SEALANT WASHER
5	H101053	STEEL WASHER 6x20
5	H101101	TORX PAN HEAD 1/4-20x3/4"

DO NOT FULLY TIGHTEN BOLTS AT THIS STEP.



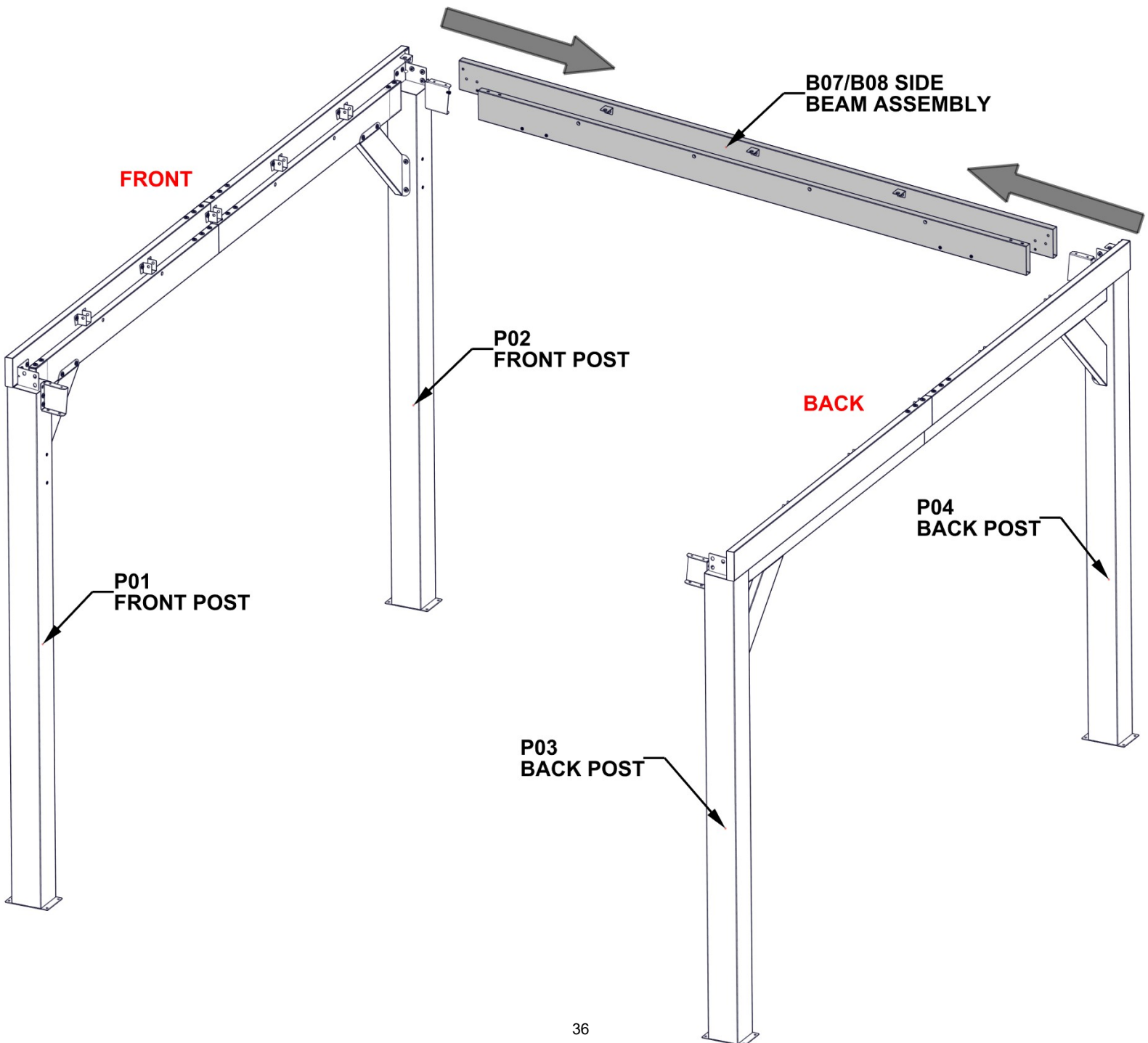
STEP 21A - GAZEBO ASSEMBLY



B07/B08 SIDE BEAM ASSEMBLY
FROM STEPS 17-18

WITH ATLEAST TWO OTHER HELPERS, STAND UP BOTH FRONT AND BACK POST ASSEMBLIES. SLIDE B07/B08 SIDE BEAM ASSEMBLY INTO BEAM BRACKETS.

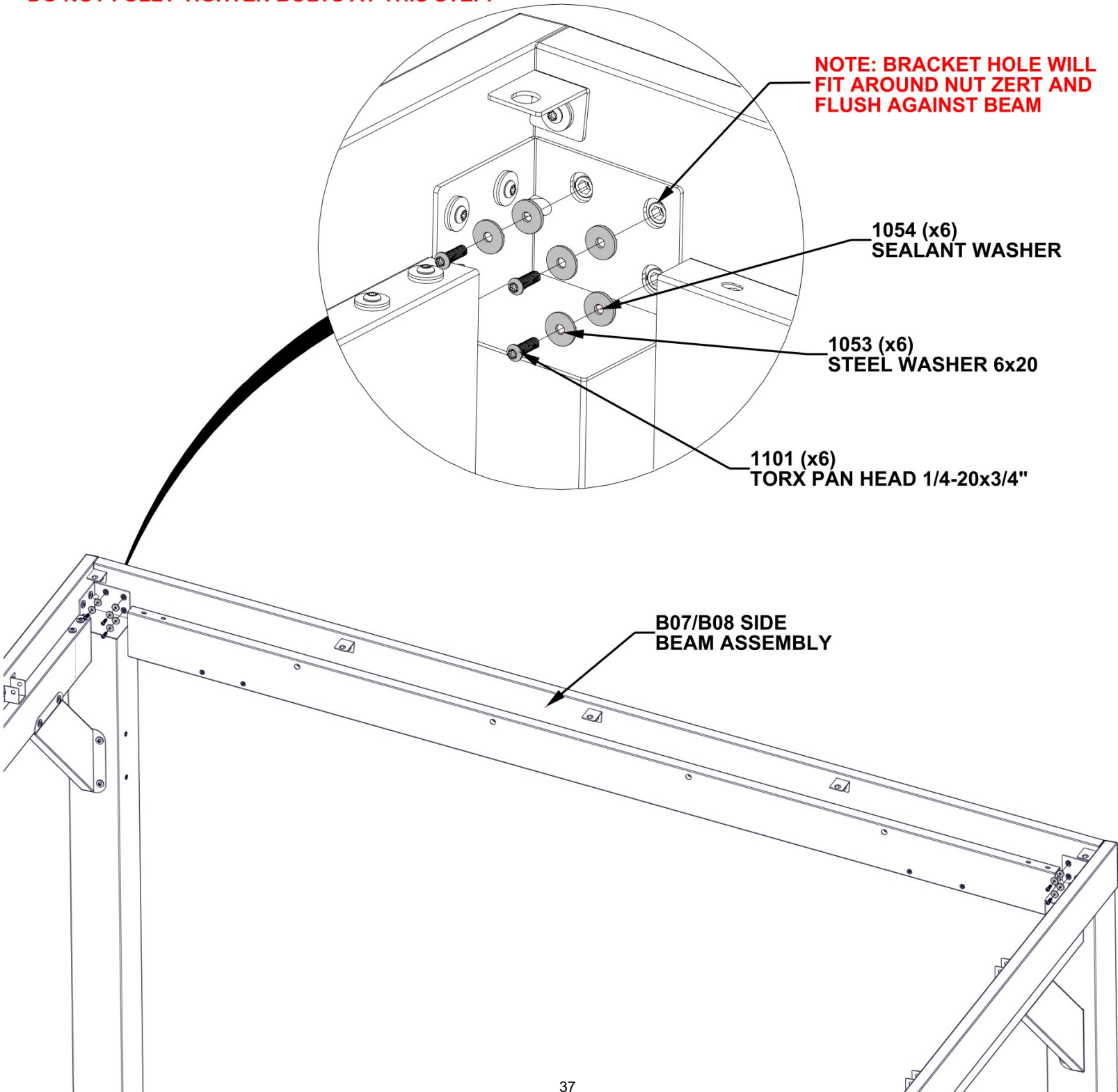
ENSURE CORRECT PLACEMENT AND ORIENTATION OF POSTS AND BEAM ASSEMBLY.



STEP 21B - GAZEBO ASSEMBLY

QTY	PART NUMBER	DESCRIPTION
6	H101054	SEALANT WASHER
6	H101053	STEEL WASHER 6x20
6	H101101	TORX PAN HEAD 1/4-20x3/4"

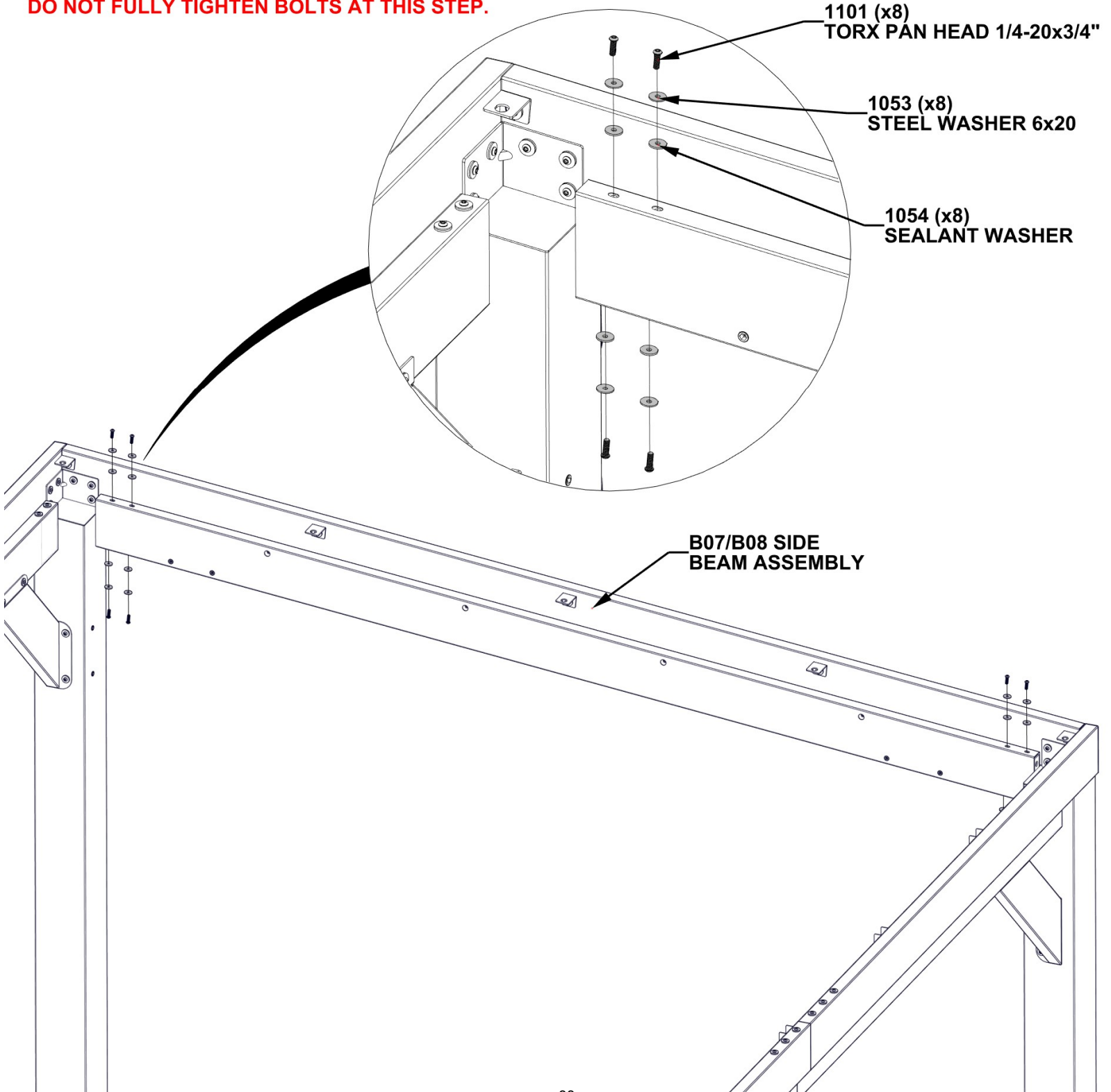
DO NOT FULLY TIGHTEN BOLTS AT THIS STEP.



STEP 21C - GAZEBO ASSEMBLY

QTY	PART NUMBER	DESCRIPTION
8	H101101	TORX PAN HEAD 1/4-20x3/4"
8	H101053	STEEL WASHER 6x20
8	H101054	SEALANT WASHER

DO NOT FULLY TIGHTEN BOLTS AT THIS STEP.



STEP 22 - GAZEBO ASSEMBLY

QTY	PART NUMBER	DESCRIPTION
8	H101054	SEALANT WASHER
8	H101053	STEEL WASHER 6x20
8	H101101	TORX PAN HEAD 1/4-20x3/4"



D04 CORBEL - A4M01830
(x1) 2 3/4"x5 11/16"x20 1/16" (70x145x509)

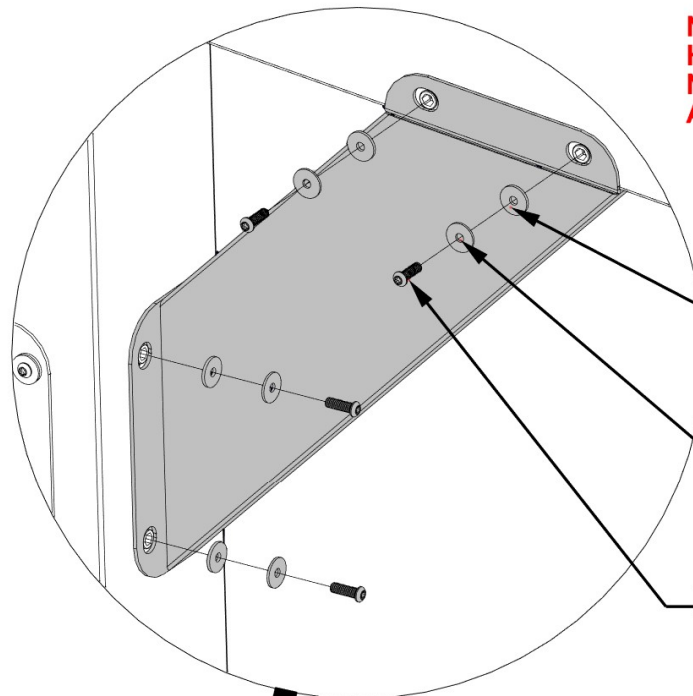


D06 CORBEL - A4M01832
(x1) 2 3/4"x5 7/8"x24 13/16" (70x149x631)

ATTACH CORBELS TO BEAM AND POST.

DO NOT FULLY TIGHTEN BOLTS AT THIS STEP.

NOTE: CORBEL BRACKET HOLES WILL FIT AROUND NUT ZERTS AND FLUSH AGAINST BEAM AND POST



1054 (x8)
SEALANT WASHER

1053 (x8)
STEEL WASHER 6x20

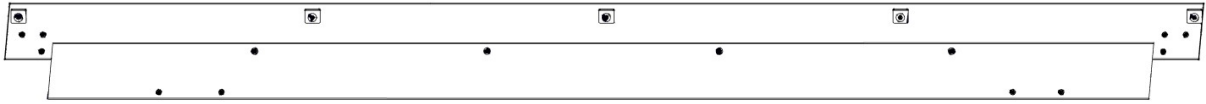
1101 (x8)
TORX PAN HEAD 1/4-20x3/4"

D04 (x1)
CORBEL

ENSURE CORRECT PLACEMENT OF D04 & D06 CORBELS AS SHOWN.

D06 (x1)
CORBEL

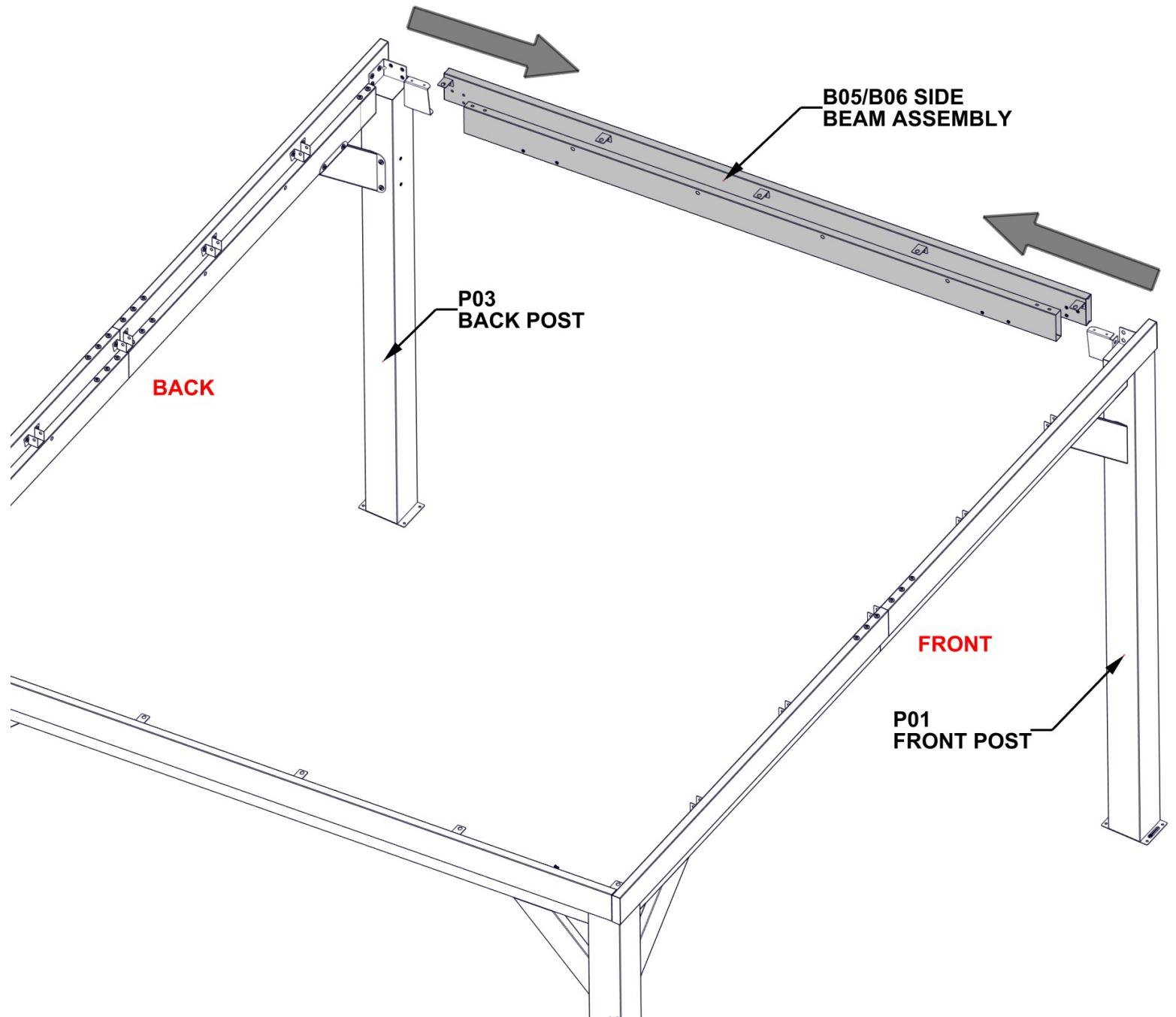
STEP 23A - GAZEBO ASSEMBLY



B05/B06 SIDE BEAM ASSEMBLY
FROM STEPS 19-20

WITH AT LEAST TWO OTHER HELPERS, SPREAD FRONT AND BACK POST ENOUGH TO SLIDE B05/B06 SIDE BEAM ASSEMBLY INTO BEAM BRACKETS.

ENSURE CORRECT PLACEMENT AND ORIENTATION OF POSTS AND BEAM ASSEMBLY.



STEP 23B - GAZEBO ASSEMBLY

QTY	PART NUMBER	DESCRIPTION
6	H101054	SEALANT WASHER
6	H101053	STEEL WASHER 6x20
6	H101101	TORX PAN HEAD 1/4-20x3/4"

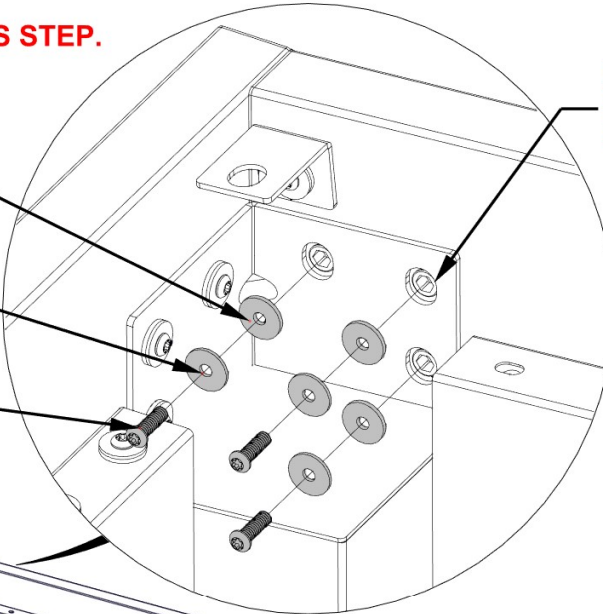
DO NOT FULLY TIGHTEN BOLTS AT THIS STEP.

1054 (x6)
SEALANT WASHER

1053 (x6)
STEEL WASHER 6x20

1101 (x6)
TORX PAN HEAD 1/4-20x3/4"

NOTE: BRACKET HOLE WILL FIT AROUND NUT ZERT AND FLUSH AGAINST BEAM

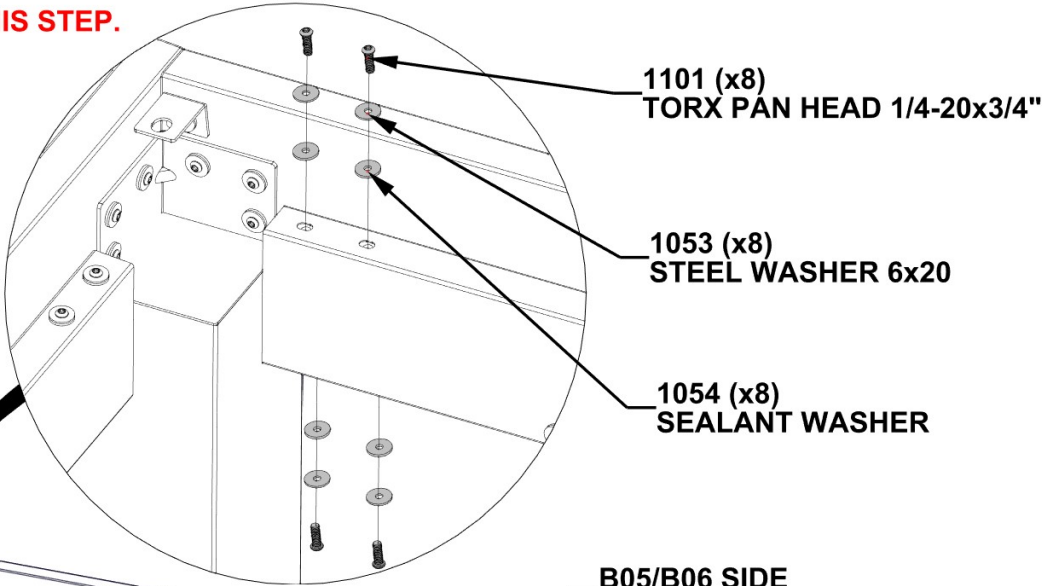


B05/B06 SIDE
BEAM ASSEMBLY

STEP 23C - GAZEBO ASSEMBLY

QTY	PART NUMBER	DESCRIPTION
8	H101054	SEALANT WASHER
8	H101053	STEEL WASHER 6x20
8	H101101	TORX PAN HEAD 1/4-20x3/4"

DO NOT FULLY TIGHTEN BOLTS AT THIS STEP.



1101 (x8)
TORX PAN HEAD 1/4-20x3/4"

1053 (x8)
STEEL WASHER 6x20

1054 (x8)
SEALANT WASHER

B05/B06 SIDE
BEAM ASSEMBLY

STEP 24 - GAZEBO ASSEMBLY

QTY	PART NUMBER	DESCRIPTION
8	H101101	TORX PAN HEAD 1/4-20x3/4"
8	H101053	STEEL WASHER 6x20
8	H101054	SEALANT WASHER



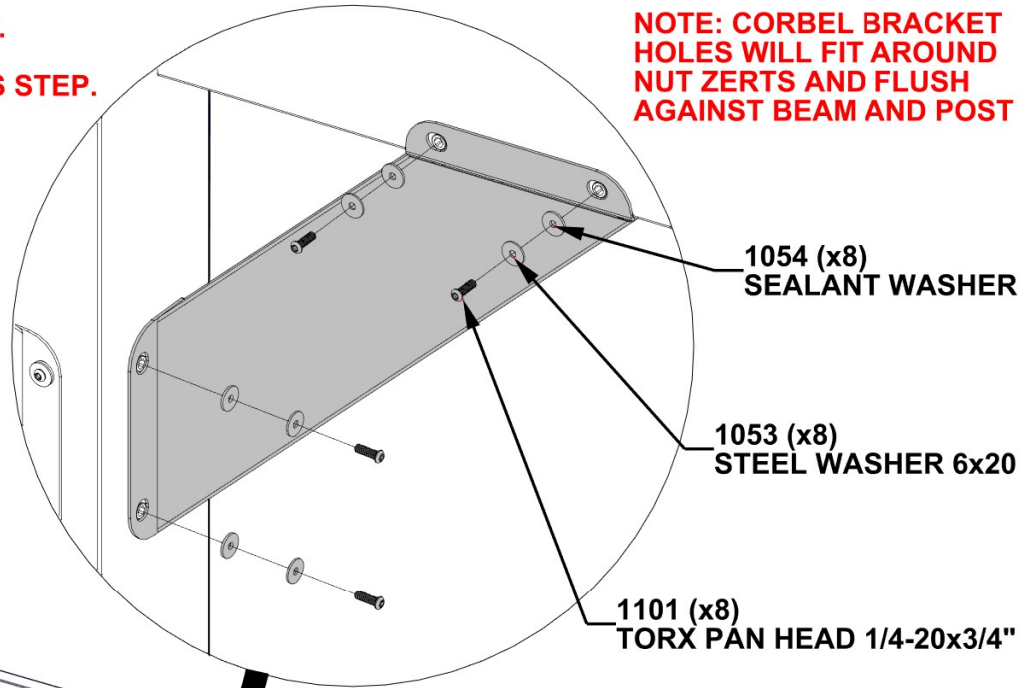
D05 CORBEL - A4M01831
(x1) 2 3/4"x5 7/8"x24 13/16" (70x149x631)



D03 CORBEL - A4M01826
(x1) 2 3/4"x5 11/16"x20 1/16" (70x145x509)

**ATTACH CORBELS TO BEAM AND POST.
DO NOT FULLY TIGHTEN BOLTS AT THIS STEP.**

NOTE: CORBEL BRACKET HOLES WILL FIT AROUND NUT ZERTS AND FLUSH AGAINST BEAM AND POST



D05 (x1)
CORBEL

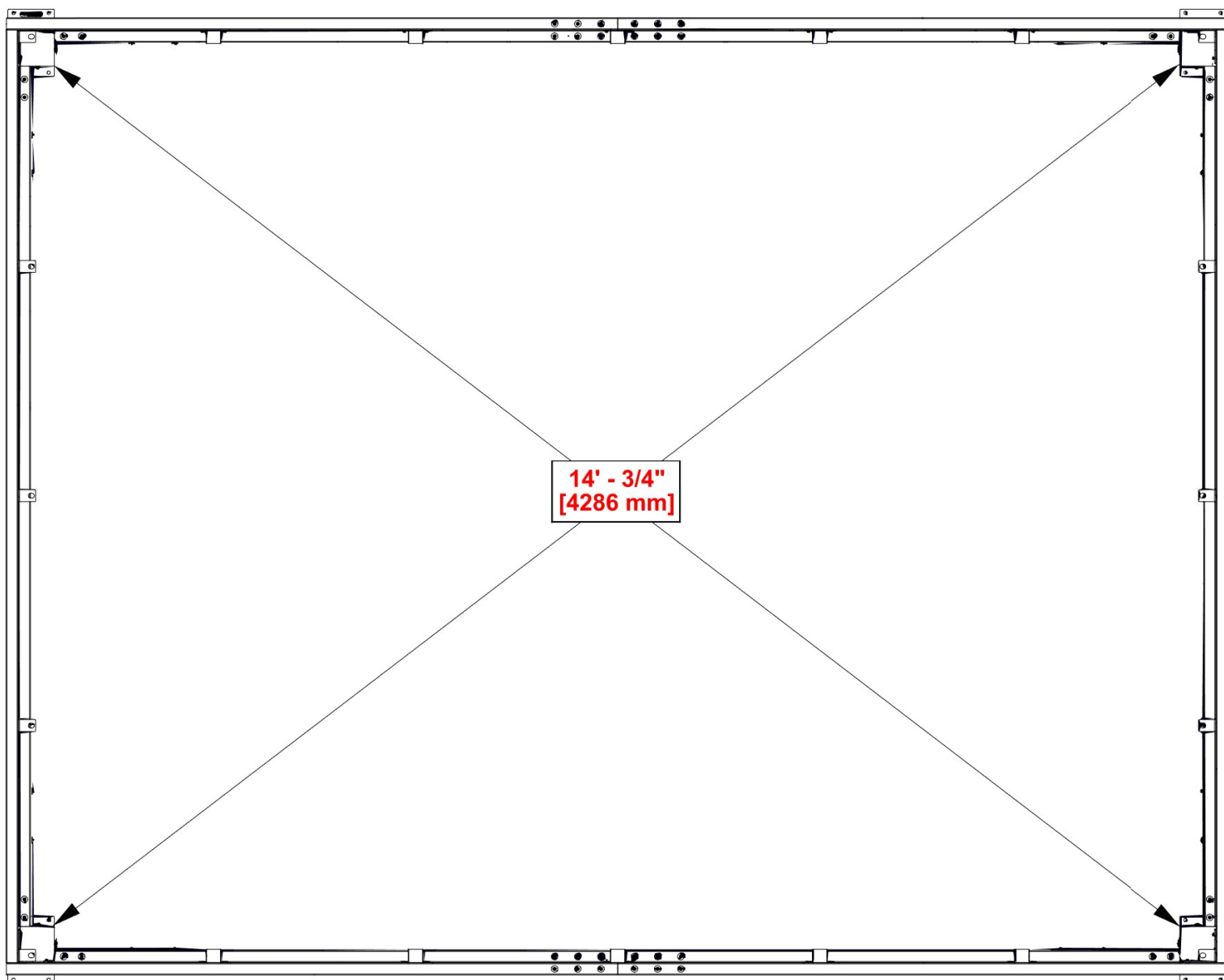
D03 (x1)
CORBEL

ENSURE CORRECT PLACEMENT OF D03 & D05 CORBELS AS SHOWN.

STEP 25 - GAZEBO ASSEMBLY

**CRITICAL: SQUARE ASSEMBLY BEFORE PROCEEDING TO NEXT STEPS.
ONCE ASSEMBLY IS SQUARE, FULLY TIGHTEN ALL HARDWARE.**

MEASUREMENTS TAKEN FROM INSIDE POST CORNER TO INSIDE POST CORNER



STEP 26 - ROOF ASSEMBLY

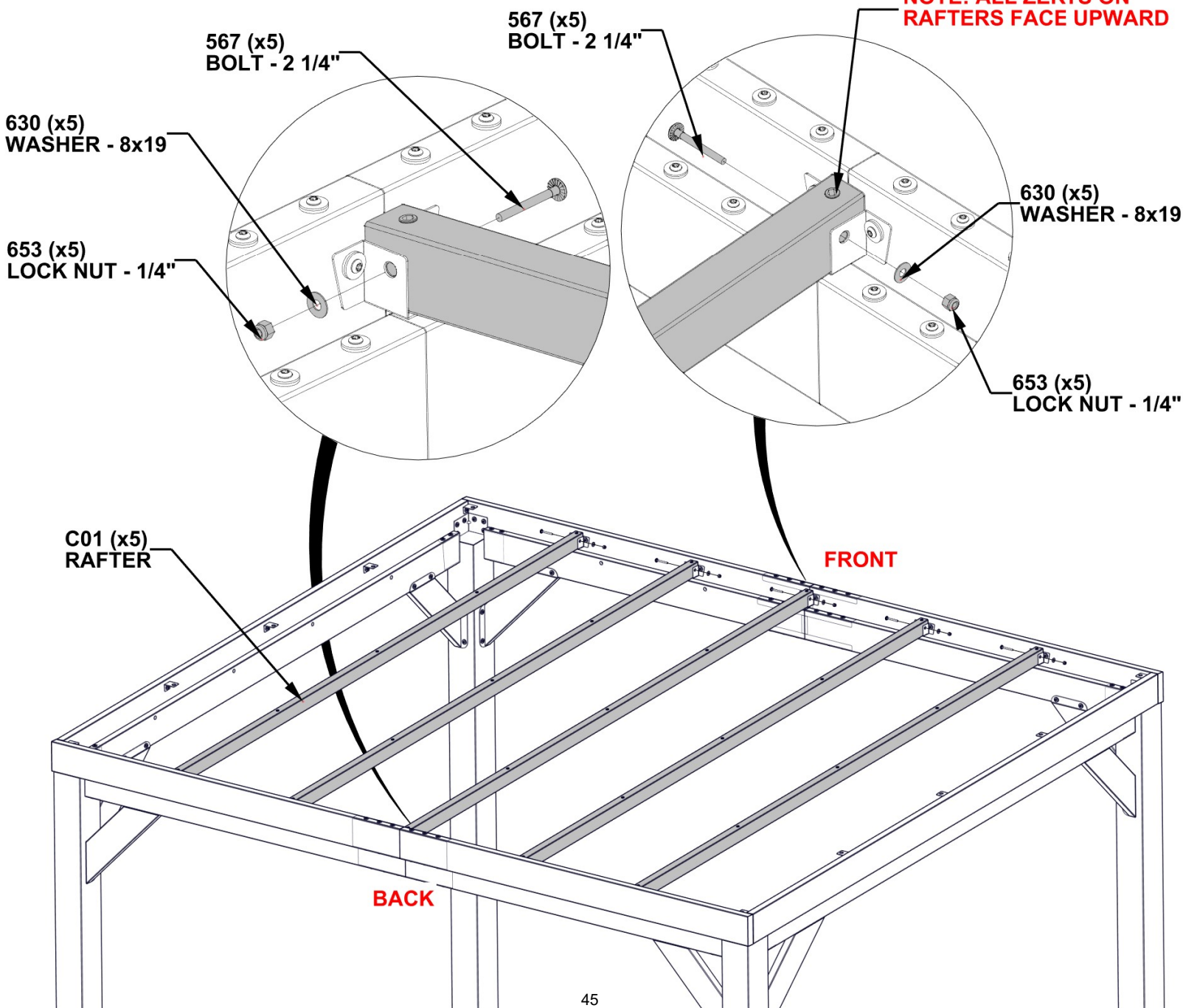
QTY	PART NUMBER	DESCRIPTION
10	H100653	NUT LOCK 1/4 BLK
10	H100630	WASHER FLAT 8x19 BLK
10	H100567	BOLT WH 1/4x2 1/4 BLK

C01 RAFTER - A4M01833
 (x5) 1 5/8"x2 3/8"x111 1/2" (40x60x2831)

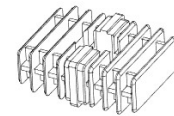
DO NOT FULLY TIGHTEN BOLTS AT THIS STEP.

**NOTE: INSERT RAFTERS INTO BRACKETS.
 BOLTS HOLDING BRACKETS TO BEAMS,
 MAY NEED TO BE LOOSENED.**

**NOTE: ALL ZERTS ON
 RAFTERS FACE UPWARD**



STEP 27 - PURLIN ASSEMBLY



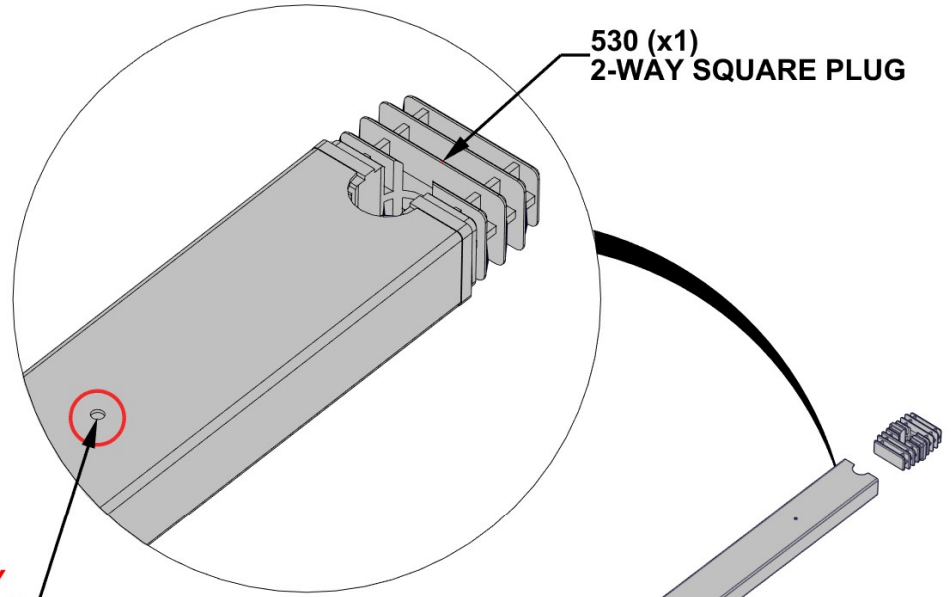
A6P00530 2-WAY SQUARE PLUG
(x5)



E01 PURLIN - A4M01840
(x5) 3/4"x1 5/8"x71 1/8" (20x40x1806)

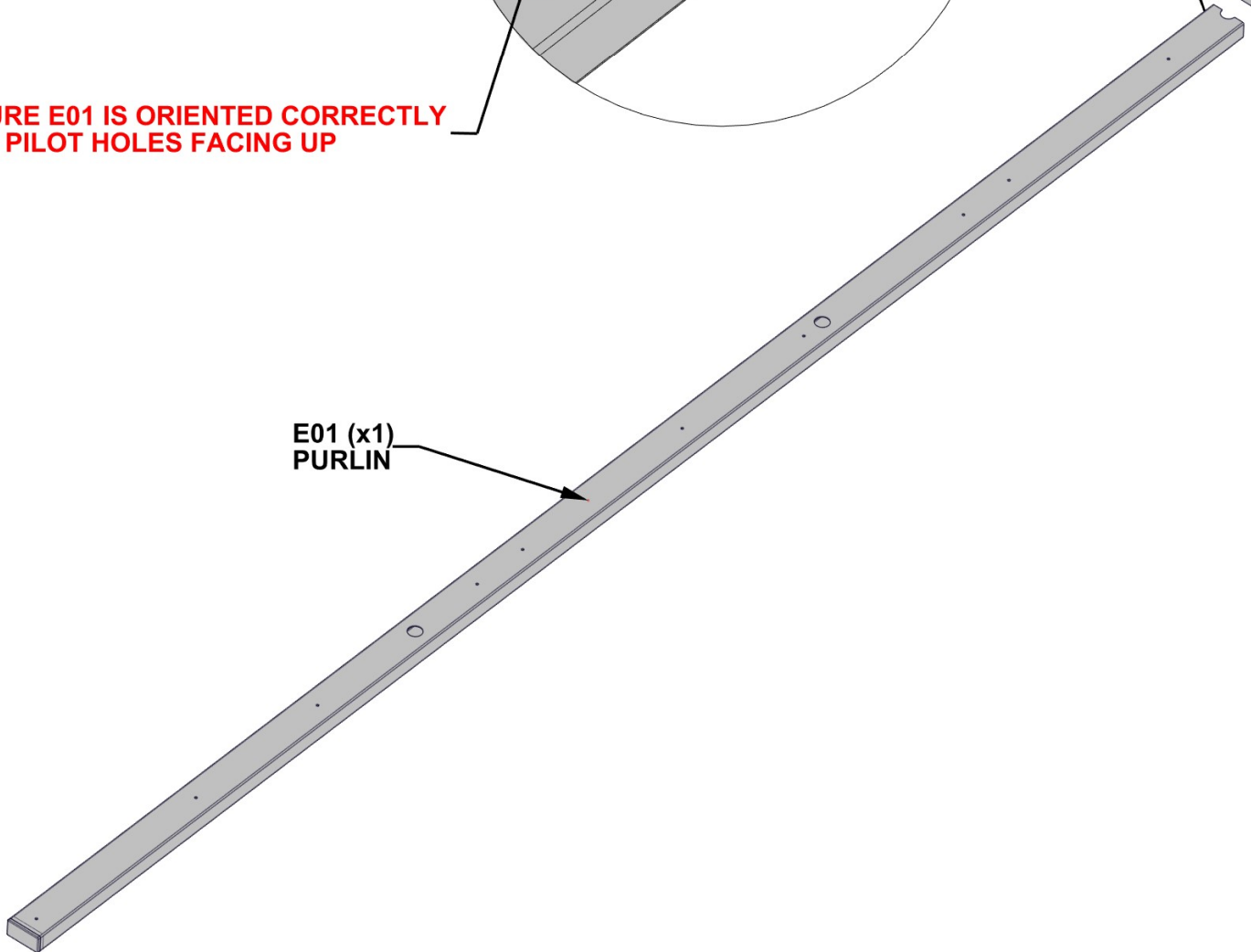
COMPLETE THIS STEP 5 TIMES

USE A RUBBER MALLET
TO TAP 2-WAY SQUARE
PLUG INTO END OF PURLIN



ENSURE E01 IS ORIENTED CORRECTLY
WITH PILOT HOLES FACING UP

E01 (x1)
PURLIN

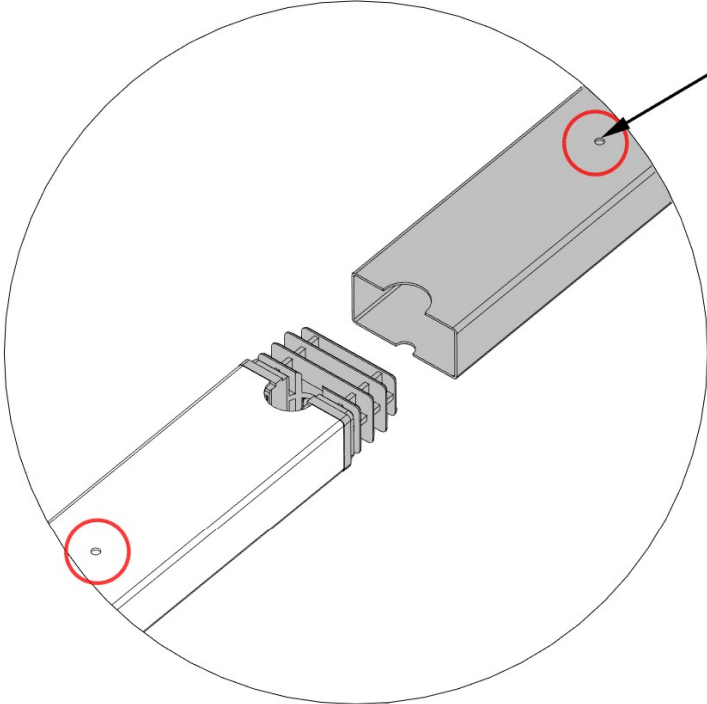


STEP 28 - PURLIN ASSEMBLY



E01 PURLIN - A4M01840
(x5) 3/4"x1 5/8"x71 1/8" (20x40x1806)

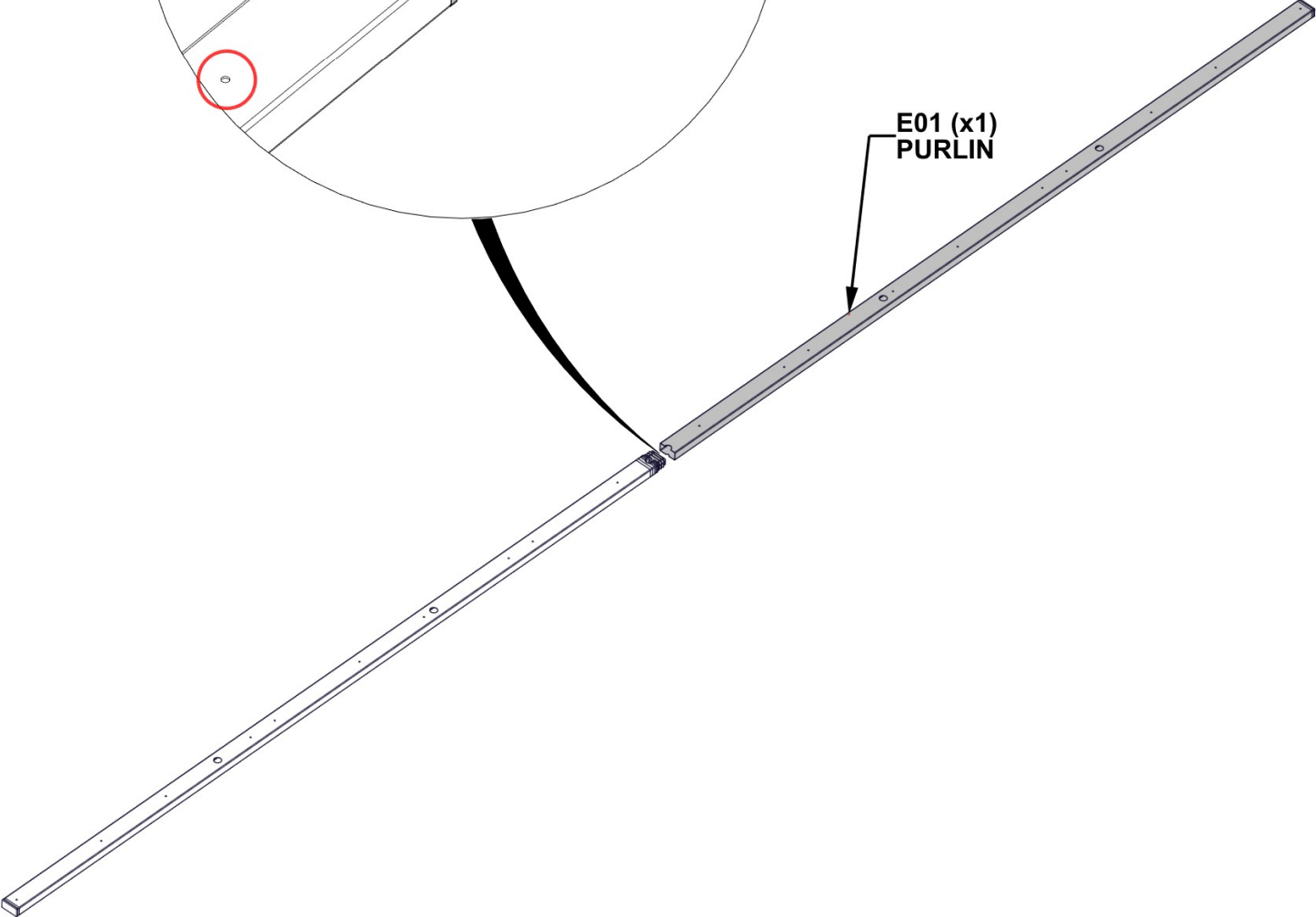
COMPLETE THIS STEP 5 TIMES



**ENSURE E01 IS ORIENTED
CORRECTLY WITH PILOT HOLES
FACING UP**

**USE A RUBBER Mallet TO TAP
ENDS OF EACH PURLIN UNTIL
TIGHT AGAINST 2-WAY PLUG**

E01 (x1)
PURLIN



STEP 29 - ROOF ASSEMBLY

QTY	PART NUMBER	DESCRIPTION
25	H101132	TORX SOCKET SCREW 1/4-20

PURLIN ASSEMBLY
FROM PREVIOUS STEP

DO NOT FULLY TIGHTEN BOLTS AT THIS STEP.

**NOTE: MAKE SURE MIDDLE
OF PURLIN ASSEMBLY IS
SUPPORTED WHEN LIFTING**

1132 (x25)
TORX SOCKET SCREW 1/4-20

**NOTE: ALL PILOT HOLES
IN PURLINS FACE UP**

PURLIN ASSEMBLY

**START FROM THE BACK AND
WORK TOWARDS THE FRONT**

FRONT

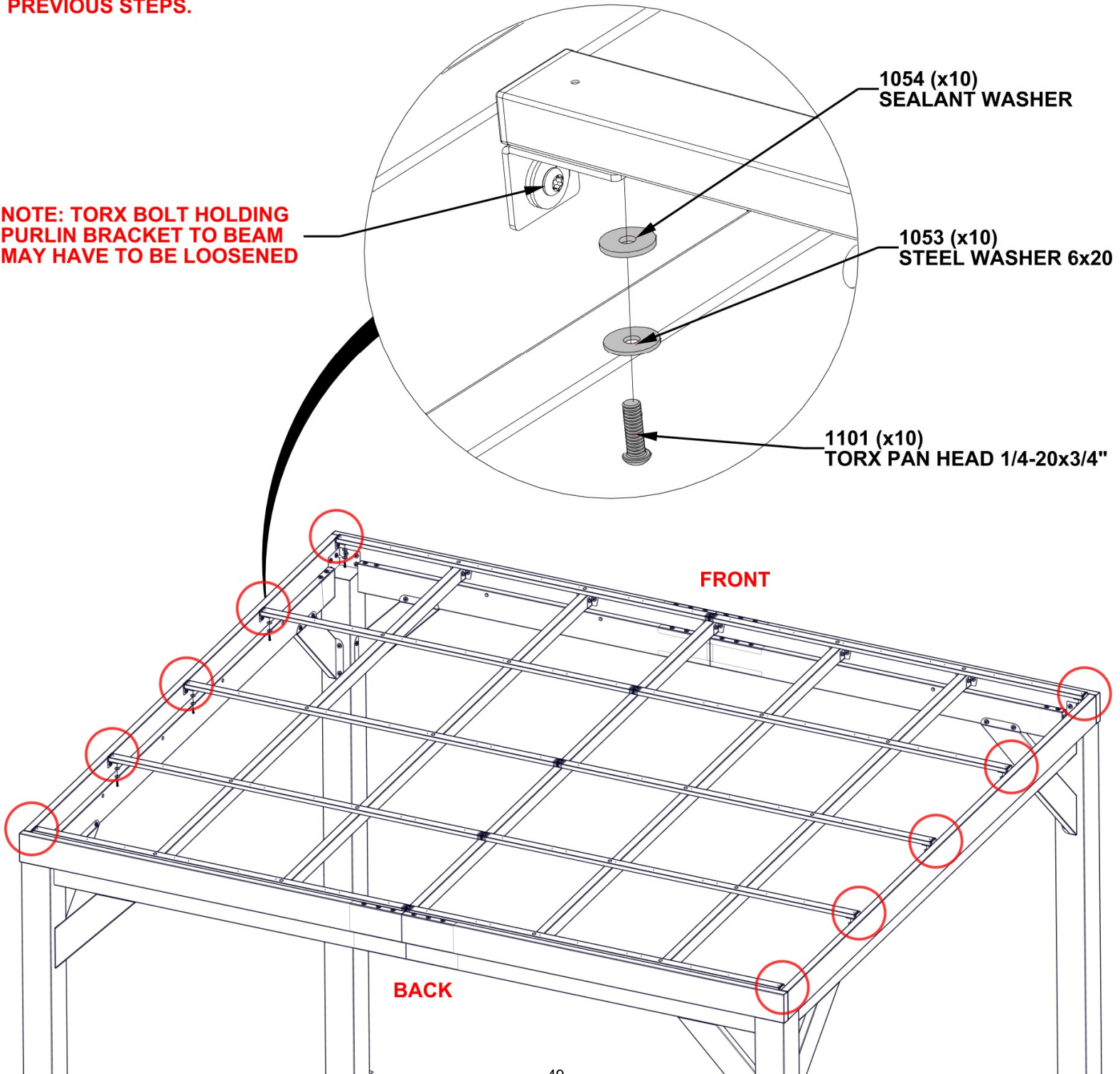
BACK

STEP 30 - ROOF ASSEMBLY

QTY	PART NUMBER	DESCRIPTION
10	H101054	SEALANT WASHER
10	H101053	STEEL WASHER 6x20
10	H101101	TORX PAN HEAD 1/4-20x3/4"

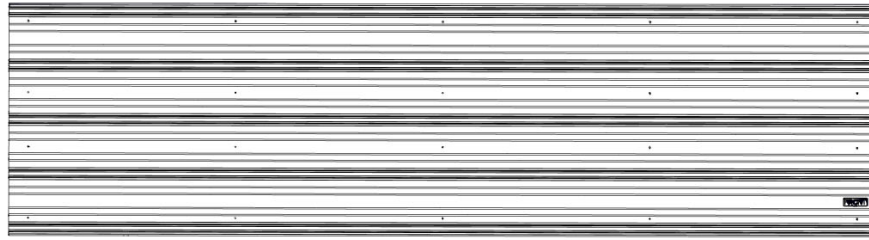
ATTACH PURLIN ASSEMBLY ENDS TO ANGLE BRACKETS. TIGHTEN ALL HARDWARE FROM PREVIOUS STEPS.

NOTE: TORX BOLT HOLDING PURLIN BRACKET TO BEAM MAY HAVE TO BE LOOSENED



STEP 31 - ROOF ASSEMBLY

QTY	PART NUMBER	DESCRIPTION
20	H101117	SCREW WOODGRIP 10-16x3/4" BLK

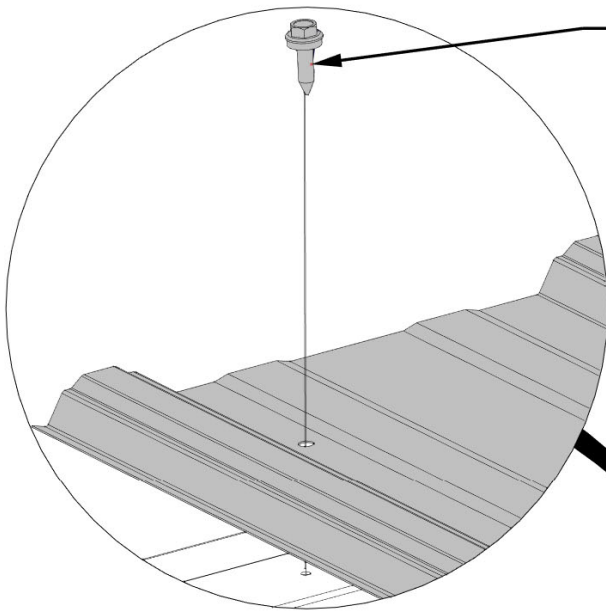


A4M02925 29GA STEEL SHEETING
(x1)

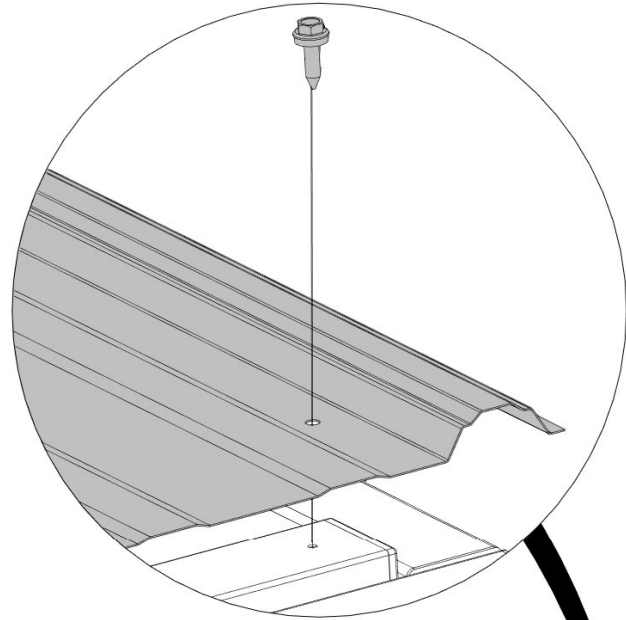
TIPS:
- REMOVE PROTECTIVE BLUE FILM.

WARNING: GLOVES ARE RECOMMENDED WHEN HANDLING STEEL ROOF PIECES.

ORIENT ROOF SHEET WITH "FRONT" STICKER TOWARDS THE FRONT SIDE OF THE GAZEBO AS SHOWN.



1117 (x20)
SCREW - 3/4"

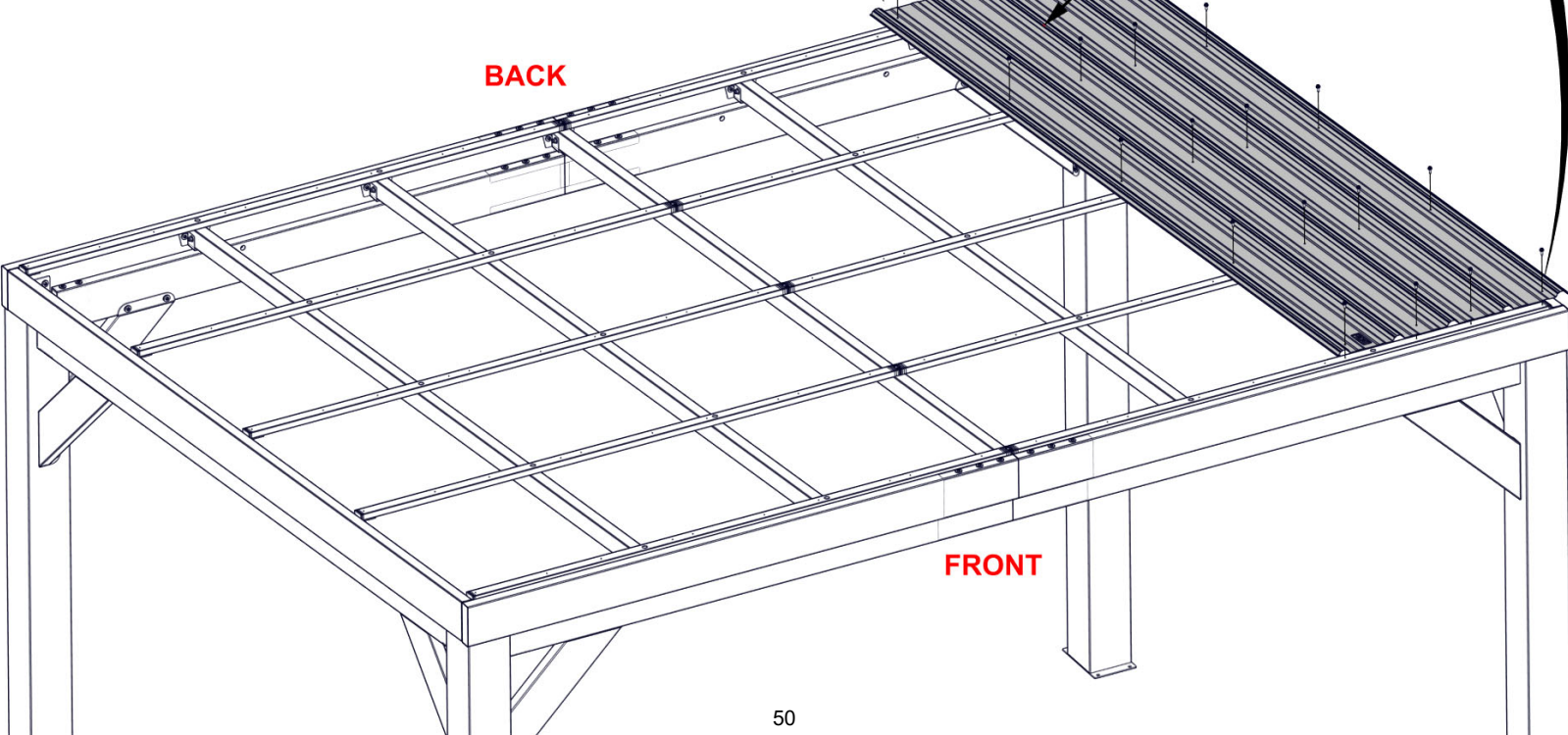


2925 (x1)
29GA STEEL SHEETING

LINE UP THE PILOT HOLES IN THE ROOF SHEET WITH THE PILOT HOLES IN THE E01 PURLINS

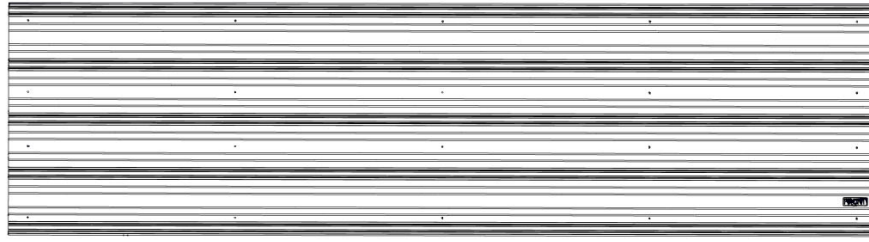
BACK

FRONT



STEP 32 - ROOF ASSEMBLY

QTY	PART NUMBER	DESCRIPTION
20	H101117	SCREW WOODGRIP 10-16x3/4" BLK



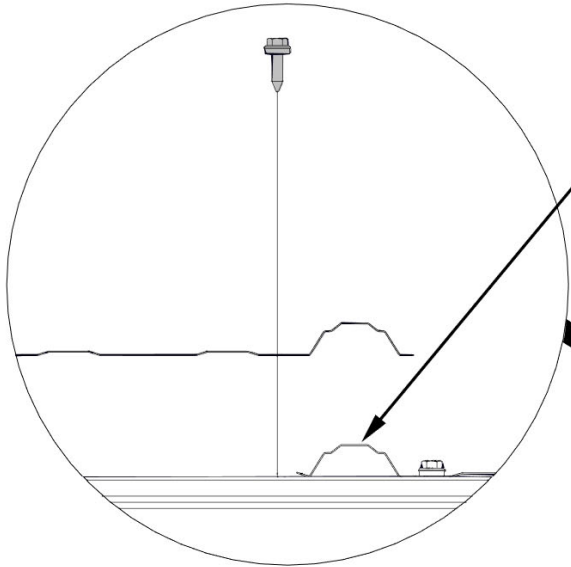
A4M02925 29GA STEEL SHEETING
(x1)

TIPS:
- REMOVE PROTECTIVE BLUE FILM.

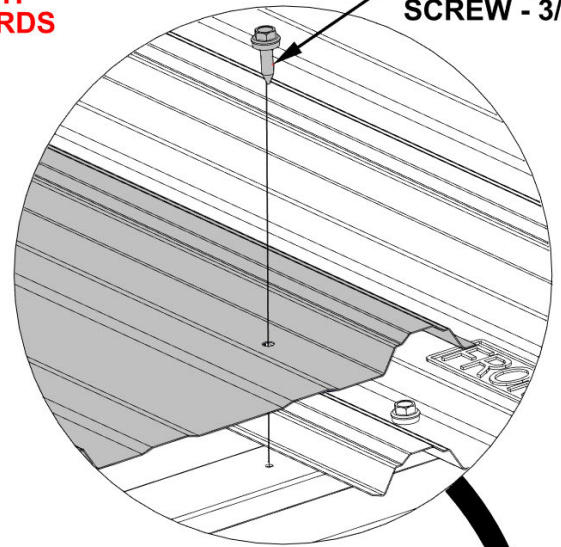
WARNING: GLOVES ARE RECOMMENDED WHEN HANDLING STEEL ROOF PIECES.

ORIENT ROOF SHEET WITH "FRONT" STICKER TOWARDS THE FRONT SIDE OF THE GAZEBO AS SHOWN.

1117 (x20)
SCREW - 3/4"



NOTE: SHEETS OVERLAP BY ONE RIB

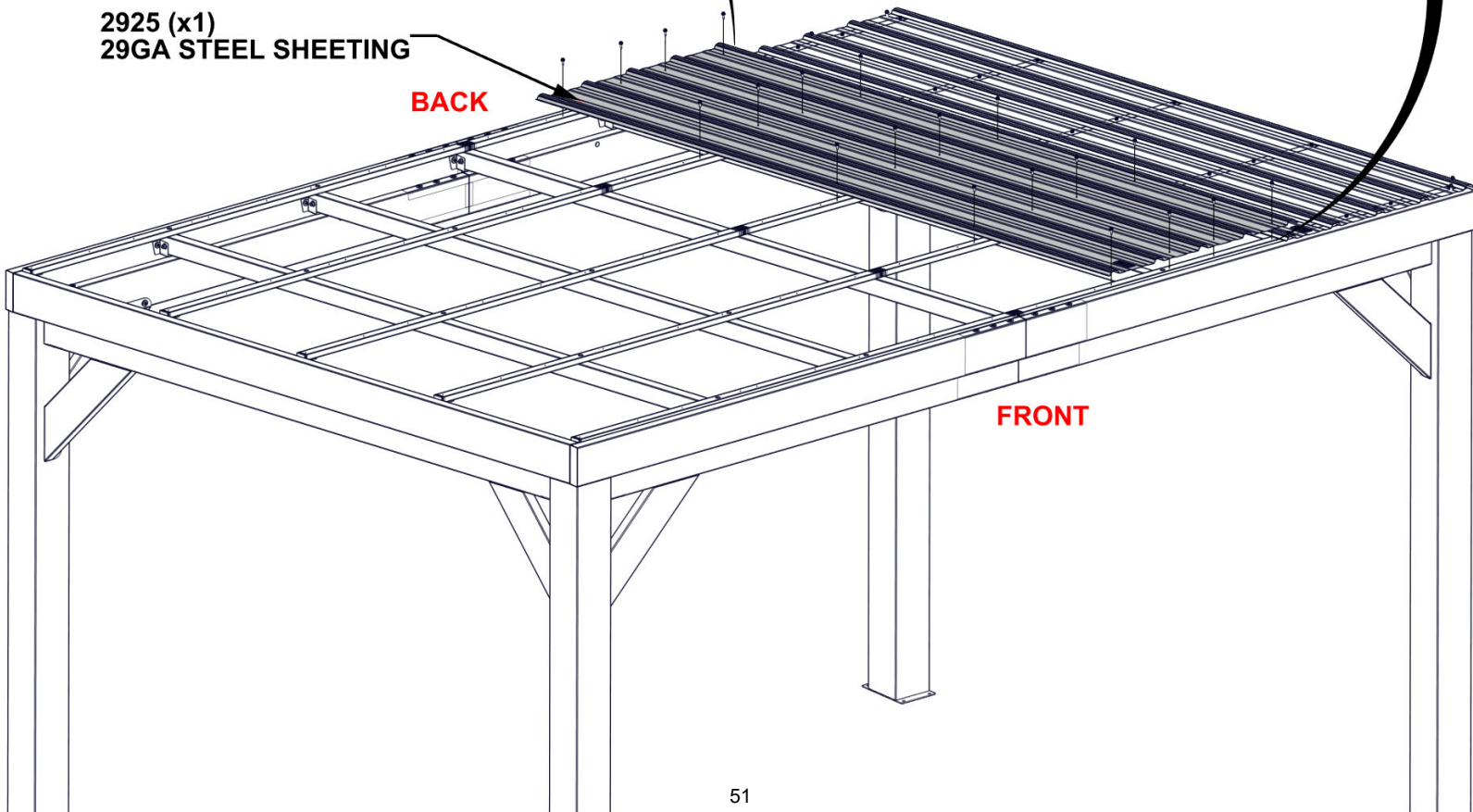


LINE UP THE PILOT HOLES IN THE ROOF SHEET WITH THE PILOT HOLES IN THE E01 PURLINS

2925 (x1)
29GA STEEL SHEETING

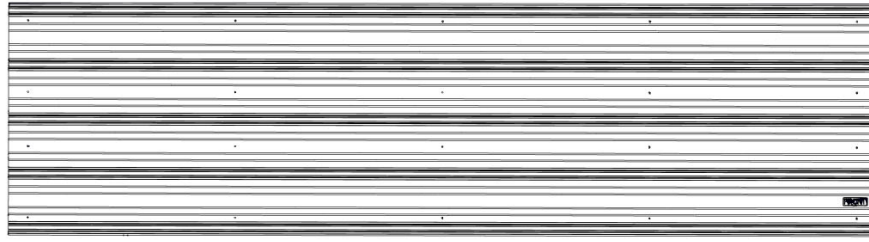
BACK

FRONT



STEP 33 - ROOF ASSEMBLY

QTY	PART NUMBER	DESCRIPTION
60	H101117	SCREW WOODGRIP 10-16x3/4" BLK



A4M02925 29GA STEEL SHEETING
(x3)

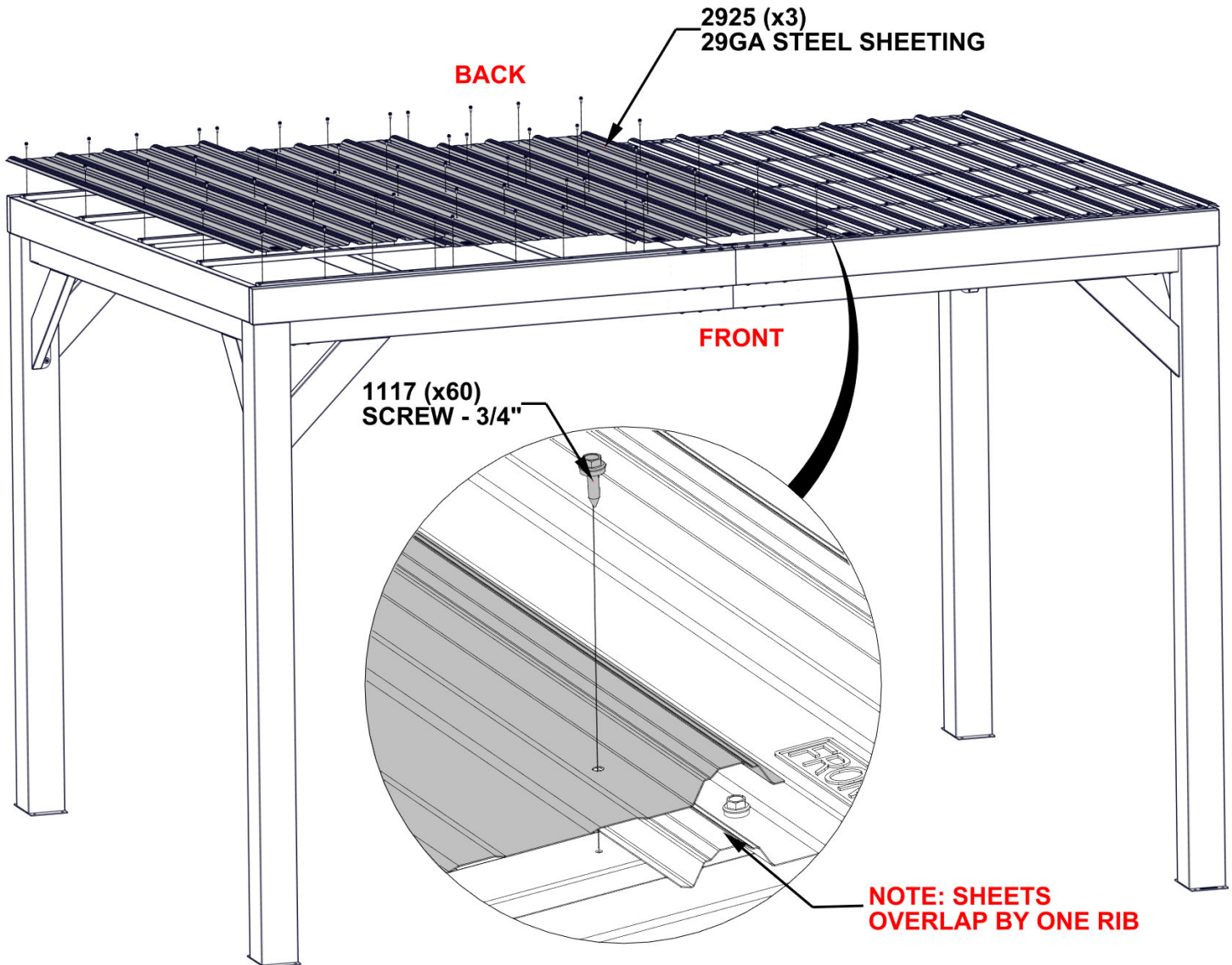
TIPS:
- REMOVE PROTECTIVE BLUE FILM.

WARNING: GLOVES ARE RECOMMENDED WHEN HANDLING STEEL ROOF PIECES.

INSTALL THE REMAINING 3 SHEETS IN THE SAME WAY AS THE FIRST TWO.

ENSURE "FRONT" STICKER IS ORIENTED TO THE FRONT OF THE GAZEBO. LINE UP PILOT HOLES IN SHEETS WITH THE PILOT HOLES IN THE E01 PURLINS.

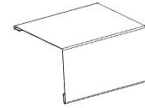
ATTACH AND FULLY TIGHTEN ALL SCREWS ON EACH ROOF SHEET BEFORE ATTACHING THE NEXT ONE. THIS MAKES IT POSSIBLE TO REACH ALL THE SCREWS WITHOUT GETTING ON THE ROOF.



NOTE: SHEETS OVERLAP BY ONE RIB

STEP 34 - ROOF ASSEMBLY

QTY	PART NUMBER	DESCRIPTION
18	H101116	SCREW SELF TAPPING 1/4 x 1



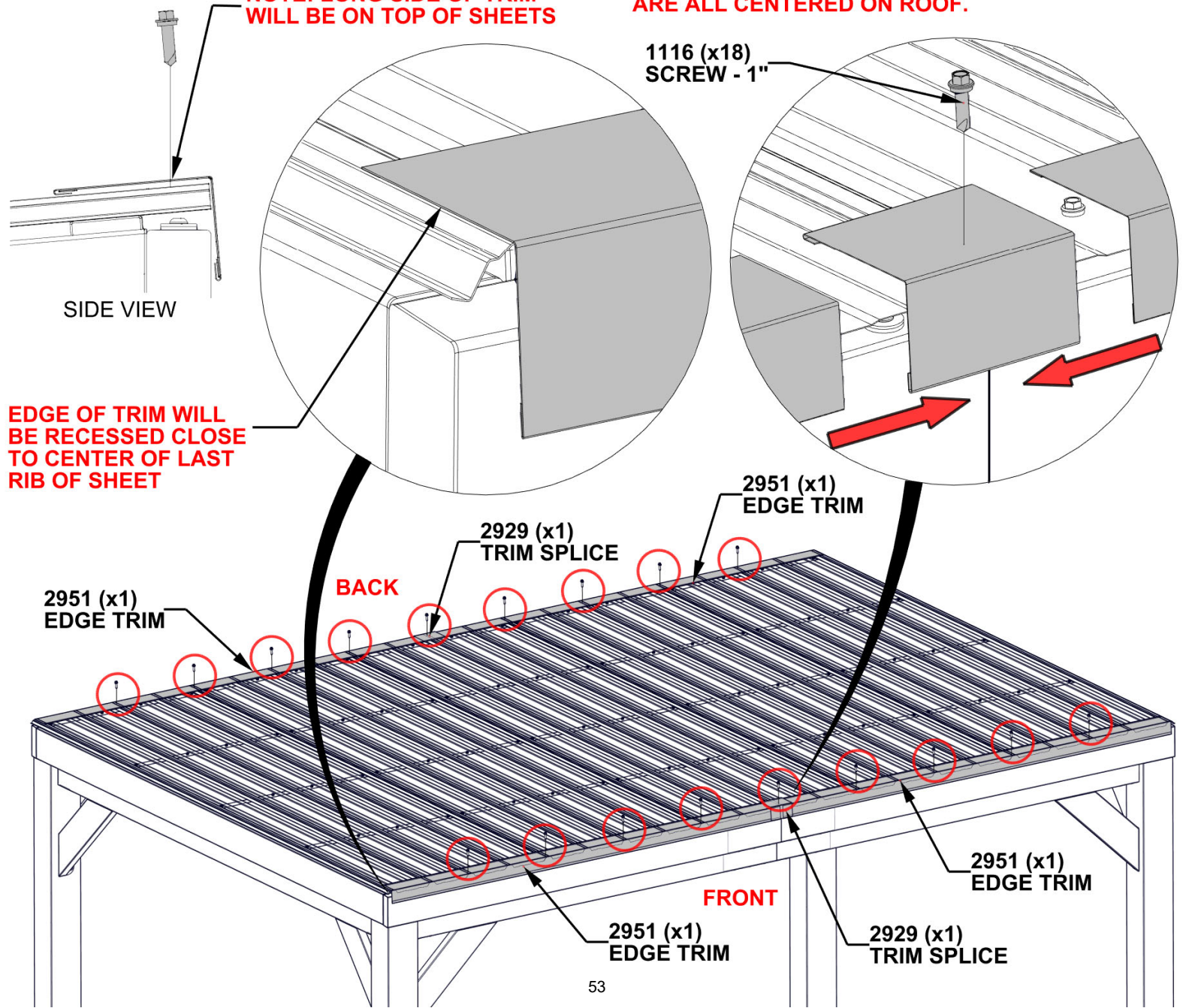
- TIPS:**
- REMOVE PROTECTIVE BLUE FILM.
 - DUE TO MULTIPLE LAYERS OF METAL ON THE EDGE TRIM, IT IS RECOMMENDED THAT A 1/8" DRILL BIT BE USED TO CREATE STARTER HOLES.

WARNING: GLOVES ARE RECOMMENDED WHEN HANDLING STEEL ROOF PIECES.

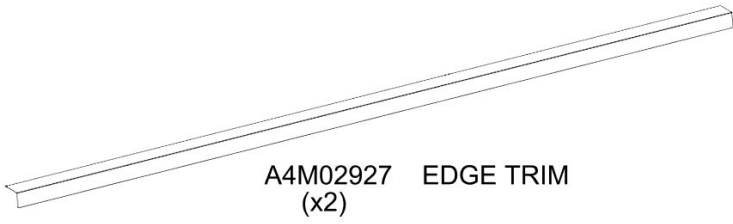
SCREWS GO THROUGH FRONT/BACK TRIM INTO THE TOP OF THE RIBS IN THE APPROXIMATE LOCATIONS SHOWN.

NOTE: LONG SIDE OF TRIM WILL BE ON TOP OF SHEETS

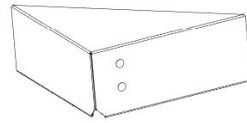
CENTER TRIM SPLICE ON ROOF, THEN SLIDE IN EDGE TRIM. ENSURE TRIM AND TRIM SPLICE ARE ALL CENTERED ON ROOF.



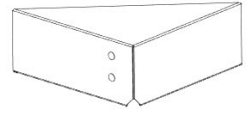
STEP 35 - ROOF ASSEMBLY



A4M02927 EDGE TRIM
(x2)



A4M02931 CORNER PROTECTOR
(x2)

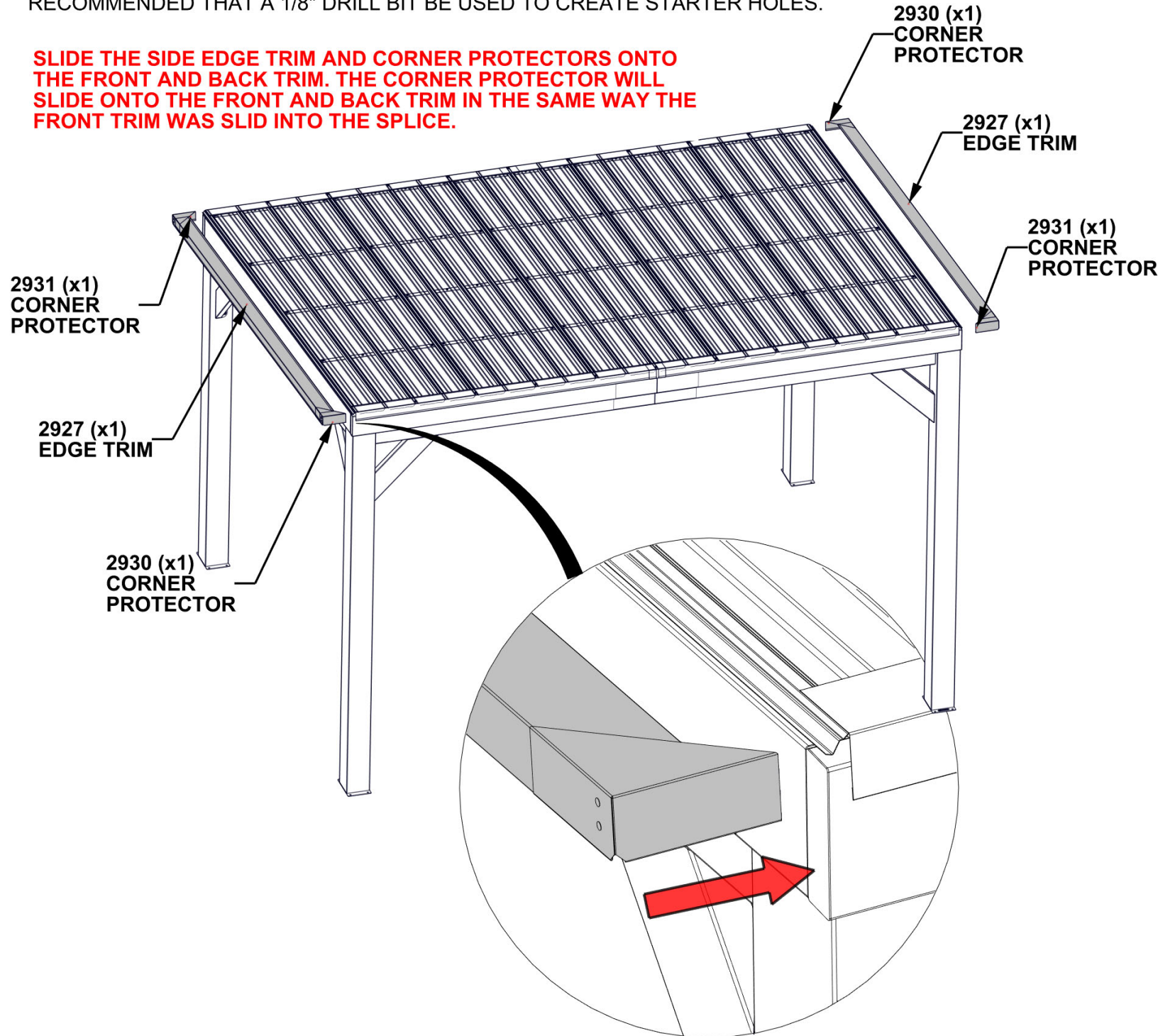


A4M02930 CORNER PROTECTOR
(x2)

- TIPS:
- REMOVE PROTECTIVE BLUE FILM.
 - DUE TO MULTIPLE LAYERS OF METAL ON THE EDGE TRIM, IT IS RECOMMENDED THAT A 1/8" DRILL BIT BE USED TO CREATE STARTER HOLES.

WARNING: GLOVES ARE RECOMMENDED WHEN HANDLING STEEL ROOF PIECES.

SLIDE THE SIDE EDGE TRIM AND CORNER PROTECTORS ONTO THE FRONT AND BACK TRIM. THE CORNER PROTECTOR WILL SLIDE ONTO THE FRONT AND BACK TRIM IN THE SAME WAY THE FRONT TRIM WAS SLID INTO THE SPLICE.



STEP 36 - ROOF ASSEMBLY

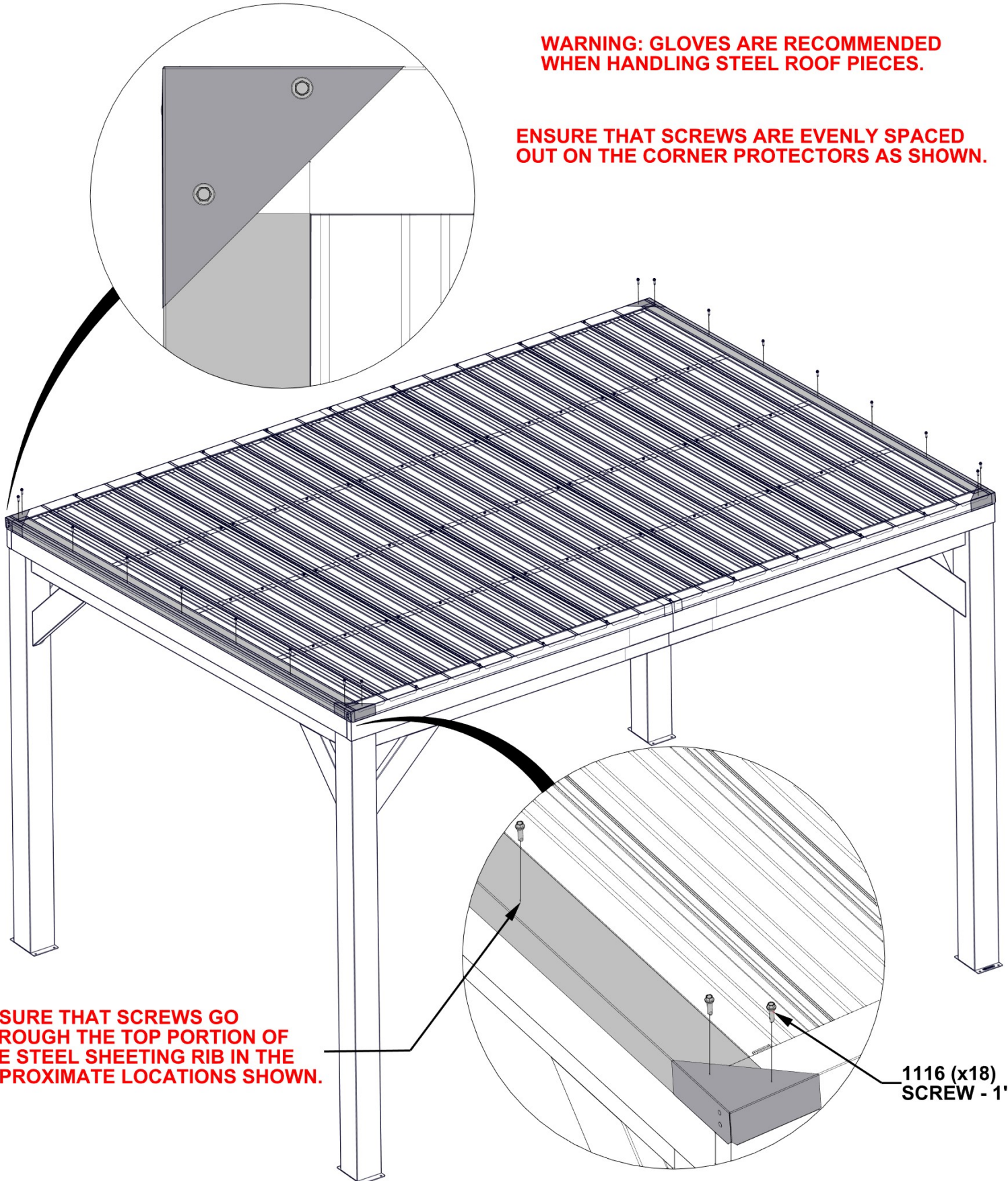
QTY	PART NUMBER	DESCRIPTION
18	H101116	SCREW SELF TAPPING 1/4 x 1

TIPS:

- REMOVE PROTECTIVE BLUE FILM.
- DUE TO MULTIPLE LAYERS OF METAL ON THE EDGE TRIM, IT IS RECOMMENDED THAT A 1/8" DRILL BIT BE USED TO CREATE STARTER HOLES.

WARNING: GLOVES ARE RECOMMENDED WHEN HANDLING STEEL ROOF PIECES.

ENSURE THAT SCREWS ARE EVENLY SPACED OUT ON THE CORNER PROTECTORS AS SHOWN.



ENSURE THAT SCREWS GO THROUGH THE TOP PORTION OF THE STEEL SHEETING RIB IN THE APPROXIMATE LOCATIONS SHOWN.

**1116 (x18)
SCREW - 1"**

STEP 37 - GAZEBO ASSEMBLY

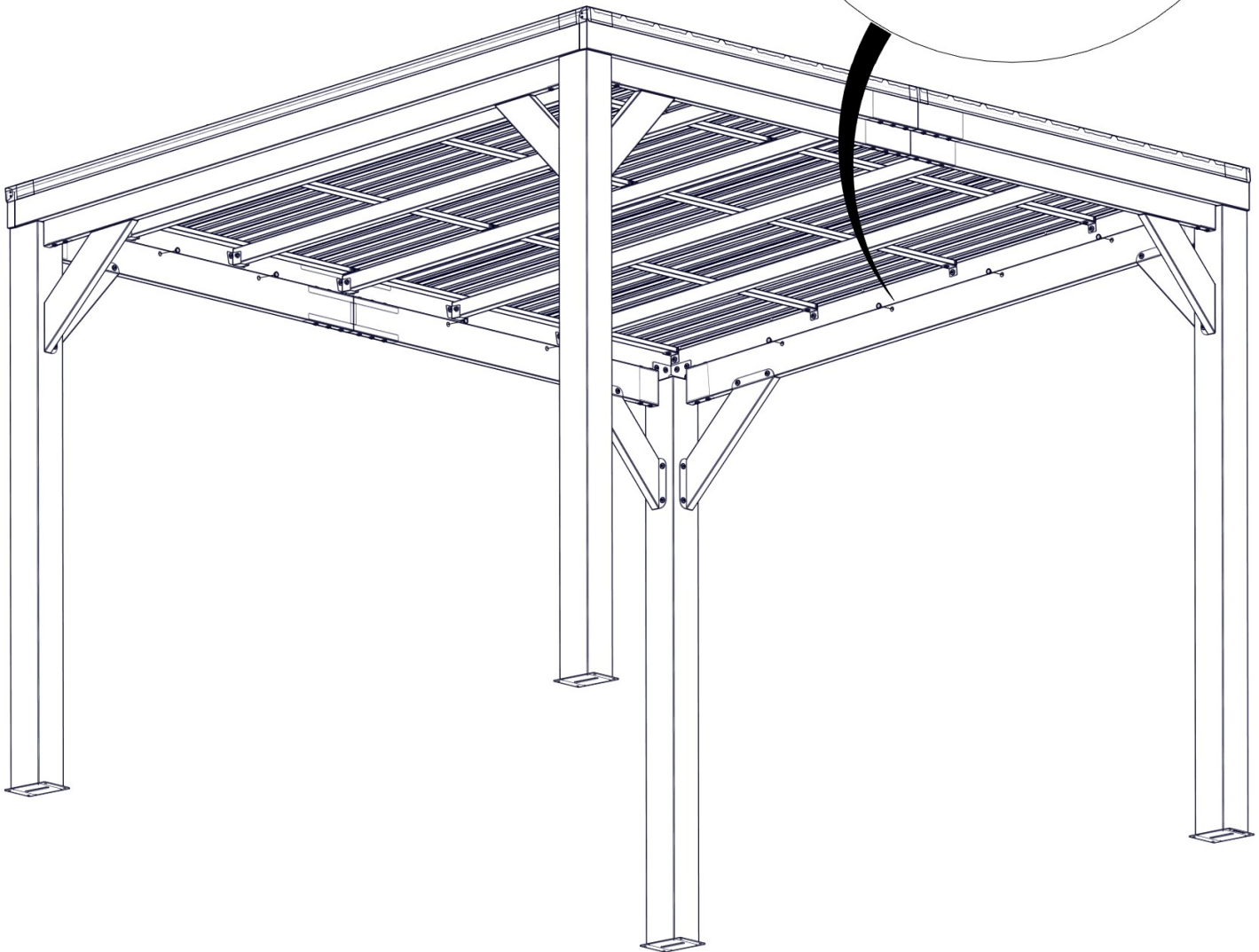


A4M01352 HOLE COVER
(x16)

1352 (x16)
HOLE COVER

**USE A SMALL PIECE OF WOOD AND
RUBBER Mallet TO TAP HOLE COVERS IN.**

**DO NOT TAP DIRECTLY WITH A HAMMER AS
YOU MAY DAMAGE THE POWDER COAT
FINISH ON PRODUCT.**

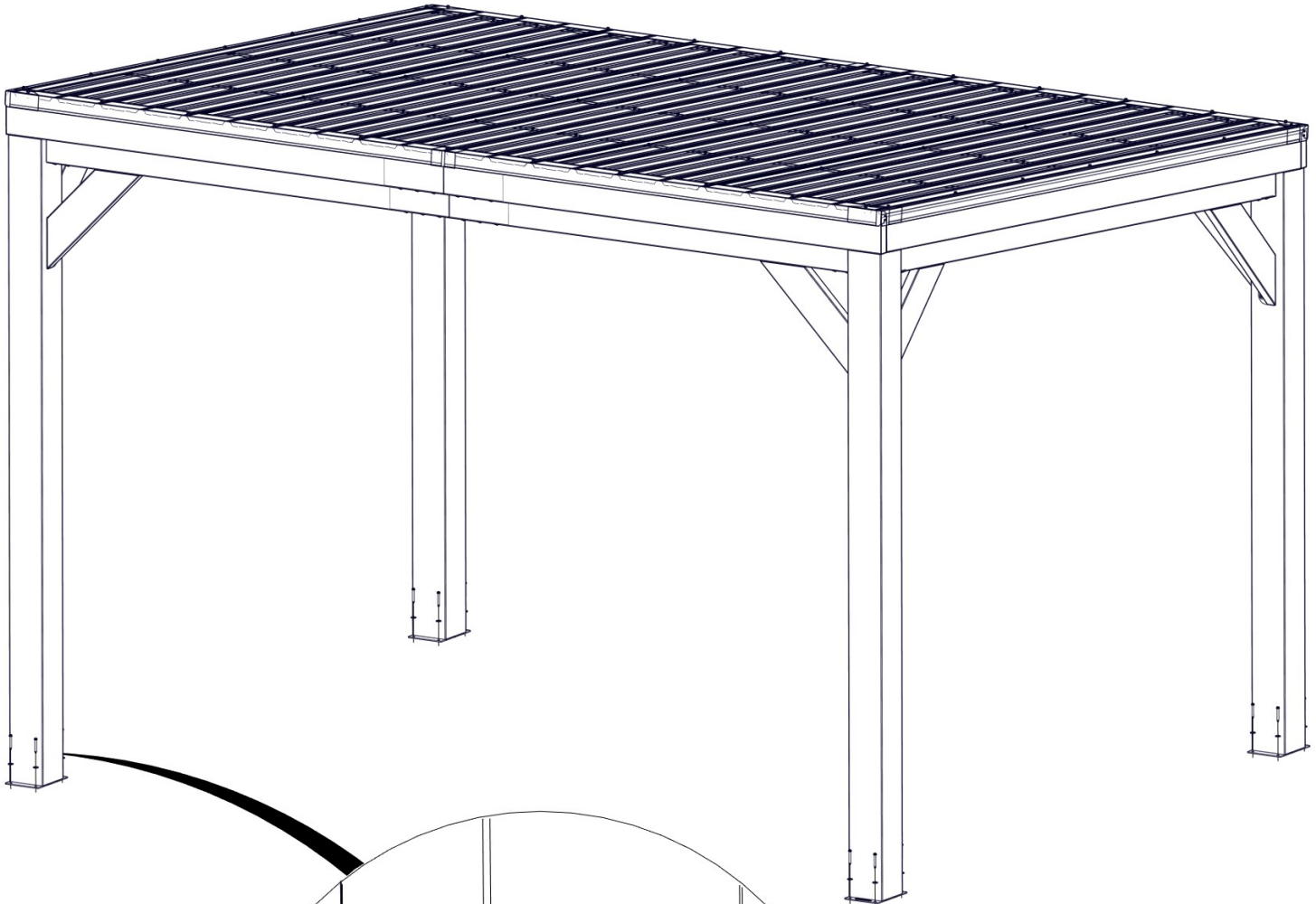


STEP 38 - GAZEBO ANCHORING

QTY	PART NUMBER	DESCRIPTION
16	H100630	WASHER FLAT 8x19 BLK
16	H100120	CONCRETE ANCHOR

MANUFACTURER RECOMMENDS INSTALLATION ON CONCRETE SURFACE OR CONCRETE POST PAD AS SHOWN BELOW.

FOR INSTALLATION ON WOOD DECK, YOU MUST ENSURE THERE IS AMPLE STRUCTURAL SUPPORT UNDER THE DECK. HARDWARE NOT INCLUDED FOR DECK ATTACHMENT.

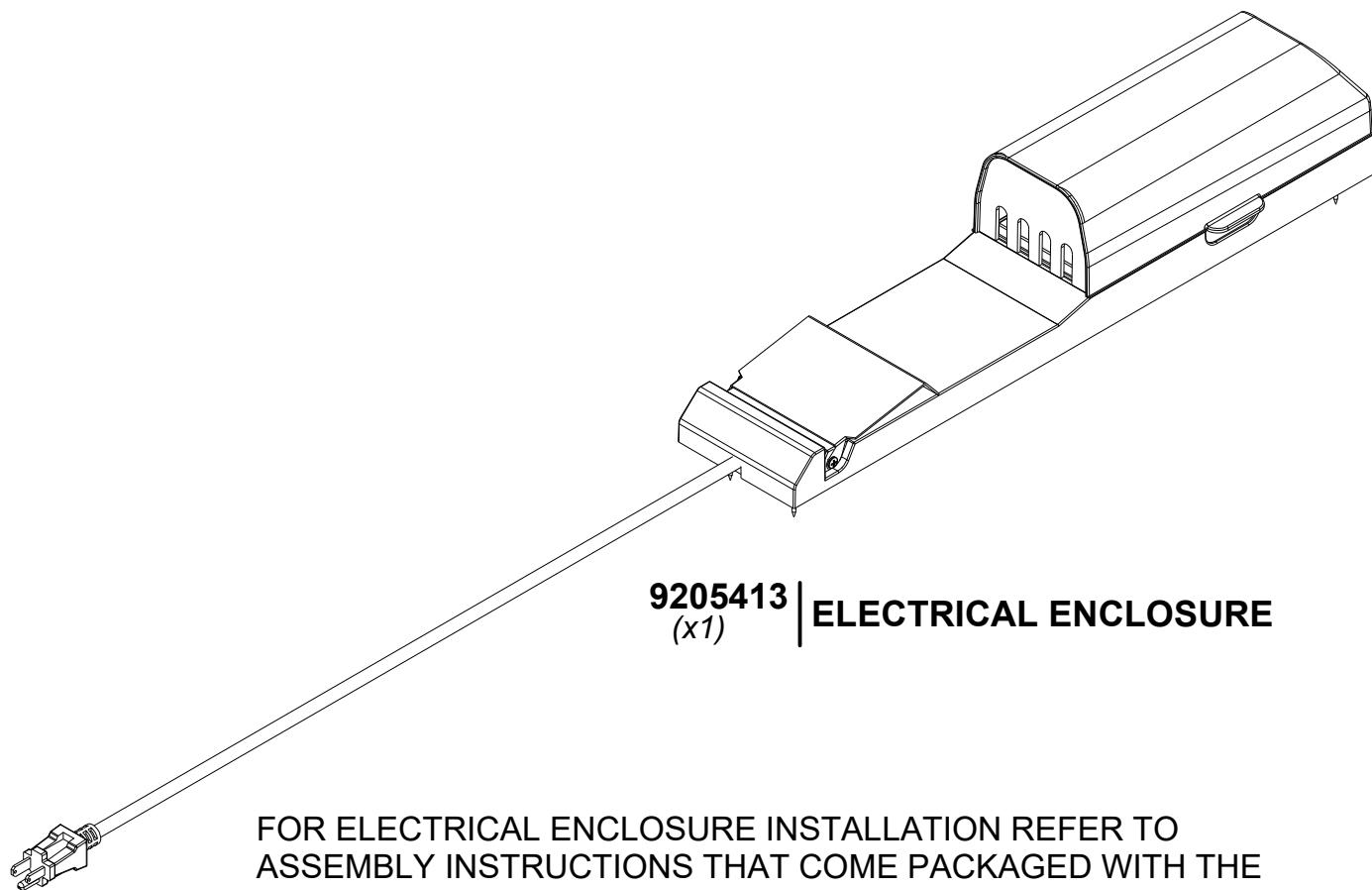


120 (x16)
CONCRETE ANCHOR

630 (x16)
WASHER - 8x19

**PRE-DRILL HOLES FOR
CONCRETE ANCHORS USING
A 3/16" CONCRETE DRILL BIT.**

ELECTRICAL ENCLOSURE



9205413 | **ELECTRICAL ENCLOSURE**
(x1)

FOR ELECTRICAL ENCLOSURE INSTALLATION REFER TO ASSEMBLY INSTRUCTIONS THAT COME PACKAGED WITH THE ELECTRICAL ENCLOSURE KIT. INSTALL ON ANY POST THAT IS DESIRED. FOLLOW DIRECTIONS FOR PROPER INSTALLATION.